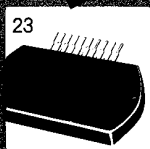


**NEW\***

23



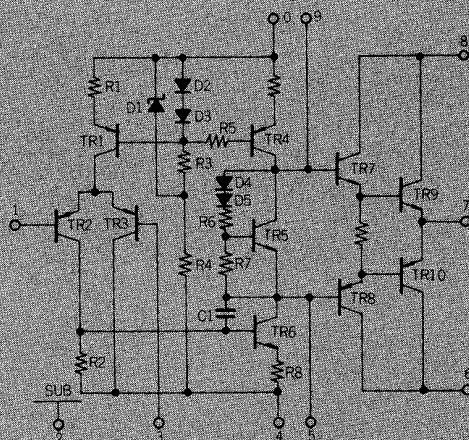
thick film IC

**STK-055, 057**  
**058, 060, 062**  
15 to 35 W min AF  
**POWER AMP**

**Features**

- ©IMST, 1 Channel by 2 Power Supplies
- AF output power STK-055: 15W min., STK-057: 20W min., STK-058: 24W min., STK-060: 30W min., STK-062: 35W min.
- Direct driven, pure complementary P-P output
- Constant current driven differential amp.
- Capable of tone controlling

**EQUIVALENT CIRCUIT**



**ABSOLUTE MAXIMUM RATINGS / Ta=25°C**

	STK-055	STK-057	STK-058	STK-060	STK-062	
Maximum Supply Voltage	V <sub>cc</sub> max	±28	±32	±35	±39	±43 V
Operating Case Temperature	T <sub>C</sub>	→	→	→	→	85 °C
Storage Temperature	T <sub>stg</sub>	→	→	→	→	-30 to +100 °C
Allowable Load Shorting Time (in appointed condition)	t <sub>s</sub>	→	→	→	→	2 sec

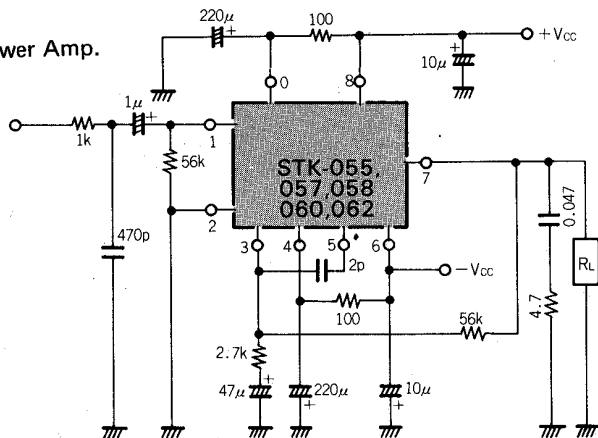
**RECOMMENDED OPERATION CONDITION / Ta=25°C**

	STK-055	STK-057	STK-058	STK-060	STK-062	
Supply Voltage	V <sub>cc</sub>	±20	±22	±25	±27	±30 V
Load Resistance	R <sub>L</sub>	→	→	→	→	8 Ω

**OPERATION CHARACTERISTICS / Ta=25°C, recommended operating condition, R<sub>g</sub>=600Ω, V<sub>G</sub>=26.4dB**

	STK-055	STK-057	STK-058	STK-060	STK-062	unit
Quiescent current	I <sub>cco</sub> recommended	→	→	→	→	100 mA max
Output Power	P <sub>o</sub> (1) THD=0.3%, f=20 to 20kHz	15	20	—	—	Wmin
	P <sub>o</sub> (2) THD=0.2%, f=20 to 20kHz,	—	—	24	30	35 Wmin
Distortion	THD f=20 to 20kHz, rated output power	0.3	0.3	0.2	0.2	0.2 %max
Input Resistance	r <sub>i</sub> Po=1W, f=1kHz	→	→	→	→	52k Ω
Frequency Response	f Po=1W, ±9dB	→	→	→	→	10 to 100k Hz

**APPLICATION: AF Power Amp.**



See operation characteristics on this specification.