

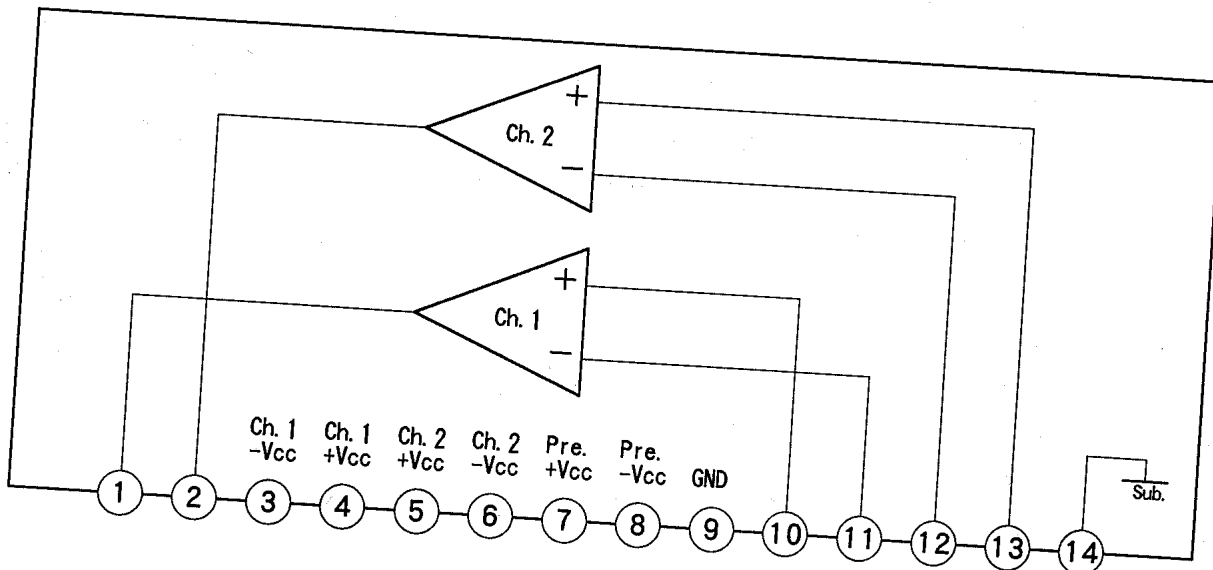
# STK405-000A Series

- ★2ch. /1package, B Class Amplifier,  $\pm$  Power Supply
- ★ $R_L = 6\Omega$
- ★10W/ch. to 80W/ch.
- ★THD = 10%

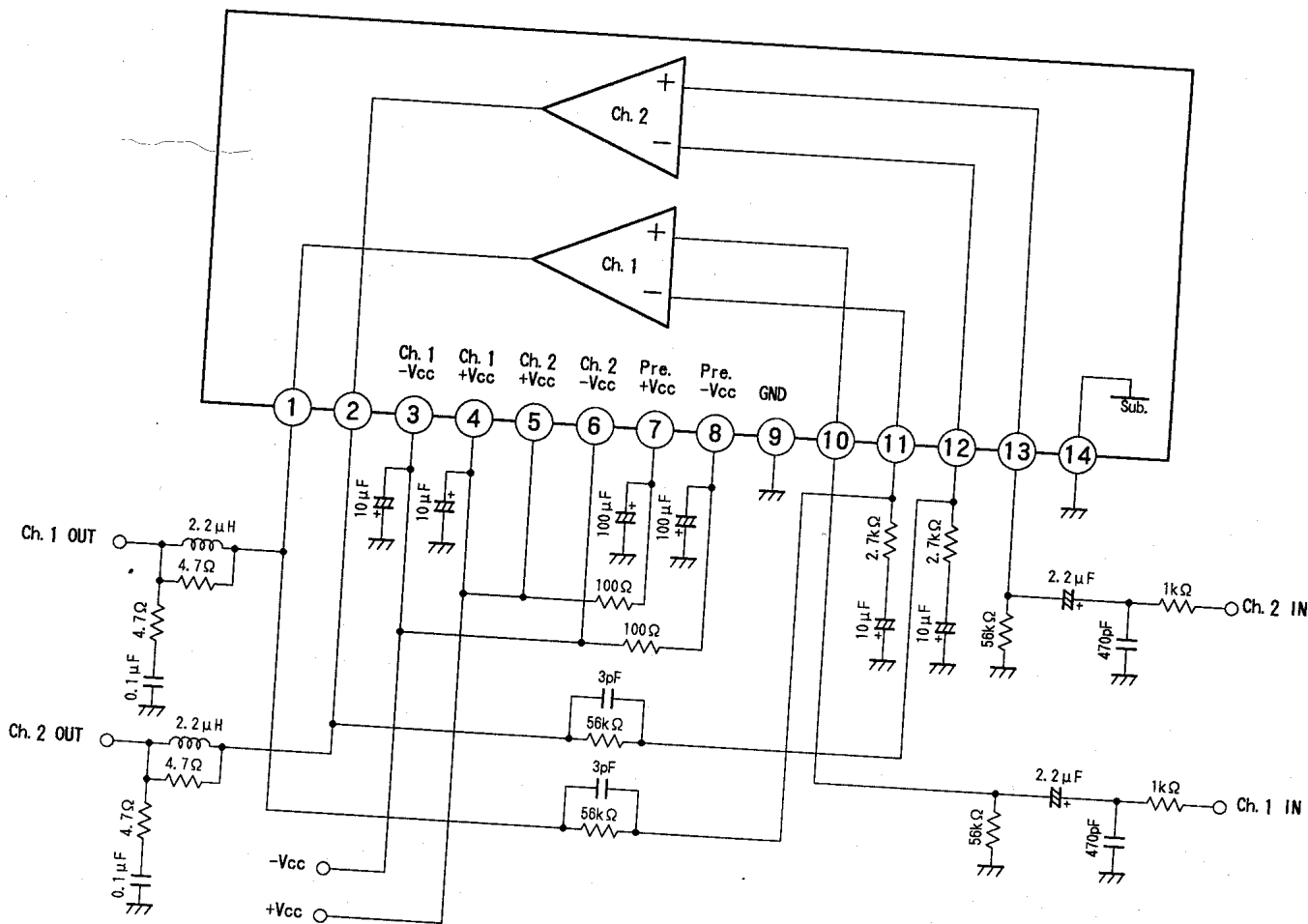
Model	Maximum Ratings 最大定格	Recommended Operating Conditions 推奨動作条件	Operating Characteristics (Recommend Operating Conditions at Test Circuit) 動作特性 (Test Circuitにて 推奨動作条件による)	
	Vcc max [V]	Vcc $R_L=6\Omega$ [V]	Po max $R_L=6\Omega$ f=1kHz [W]	THD ( $V_G=26dB$ ) [%]
◎STK405-010A	$\pm 26.0$	$\pm 14.0$	10 + 10	10
STK405-030A	$\pm 30.5$	$\pm 18.5$	20 + 20	10
STK405-050A	$\pm 34.5$	$\pm 22.0$	30 + 30	10
STK405-070A	$\pm 39.0$	$\pm 25.0$	40 + 40	10
STK405-090A	$\pm 42.0$	$\pm 26.5$	50 + 50	10
STK405-100A	$\pm 45.0$	$\pm 29.0$	60 + 60	10
STK405-110A	$\pm 50.0$	$\pm 31.0$	70 + 70	10
◎STK405-120A	$\pm 52.5$	$\pm 33.0$	80 + 80	10

◎New Products

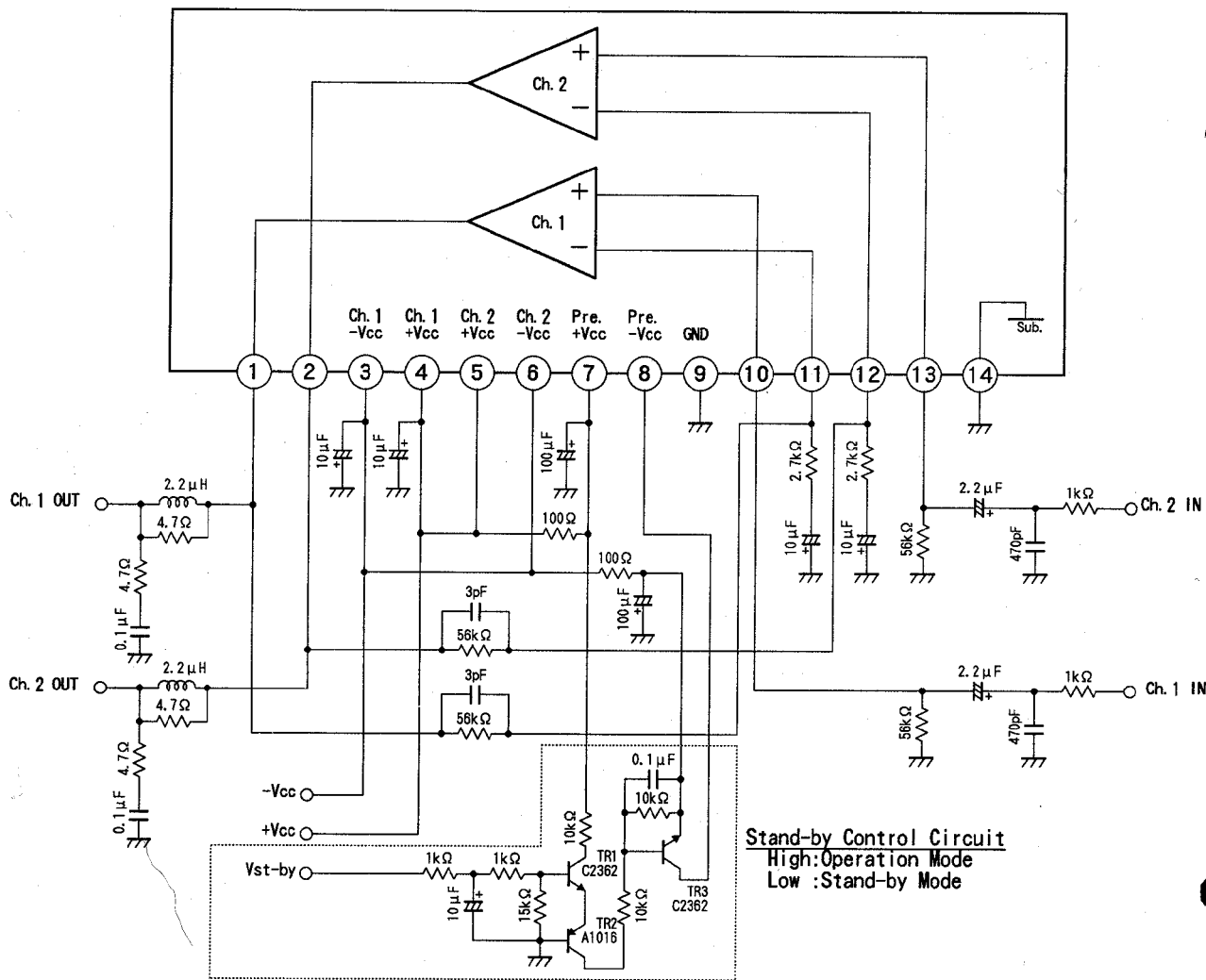
■ Equivalent Circuit



■ Test Circuit



Application Circuit



Case Outline

Ⓐ STK405-010A to STK405-090A

Ⓑ STK405-100A to STK405-120A

