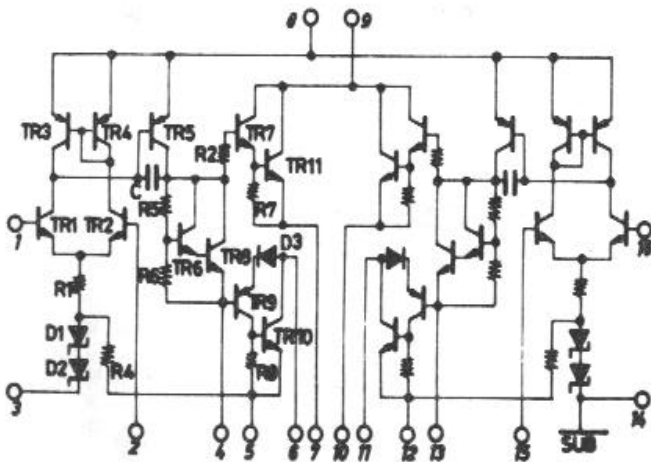
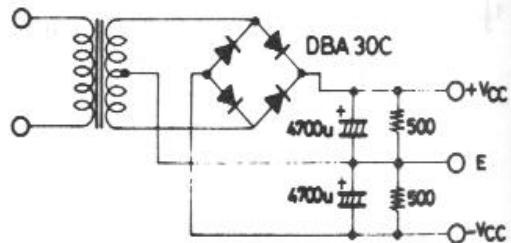


Integrato finale 2x25 W

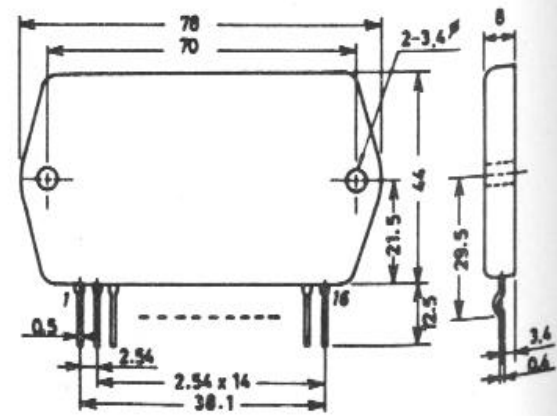
$V_{CC \text{ max}}$	± 38	V	unit
T_C	105	$^{\circ}\text{C}$	
T_{stg}	$-30 \sim +105$	$^{\circ}\text{C}$	
t_B	$V_{CC} = \pm 26\text{V}, P_o = 25\text{W}$ $R_L = 8\Omega, f = 50\text{Hz}$	2	sec
V_{CC}	± 26	V	unit
R_L	8	Ω	

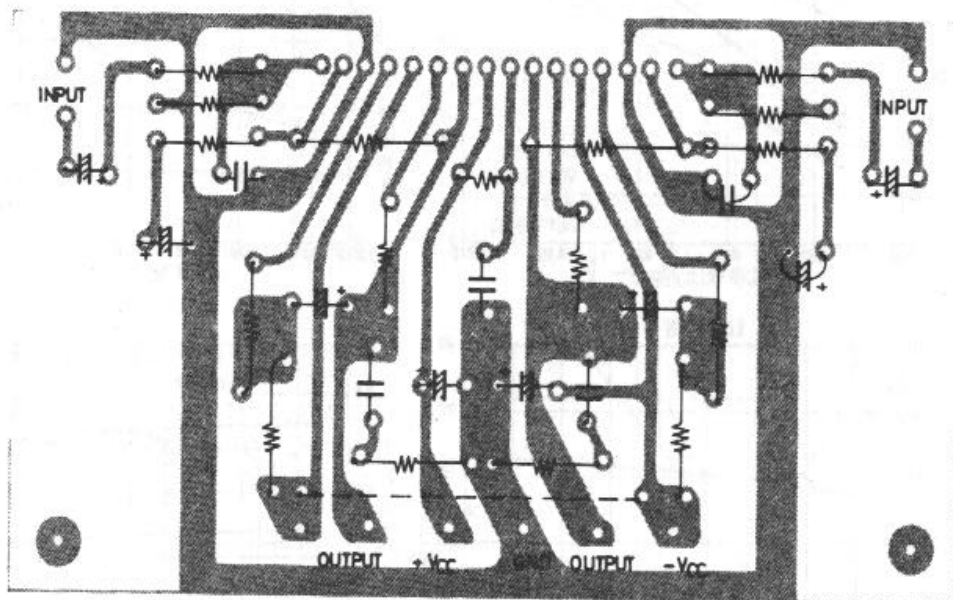
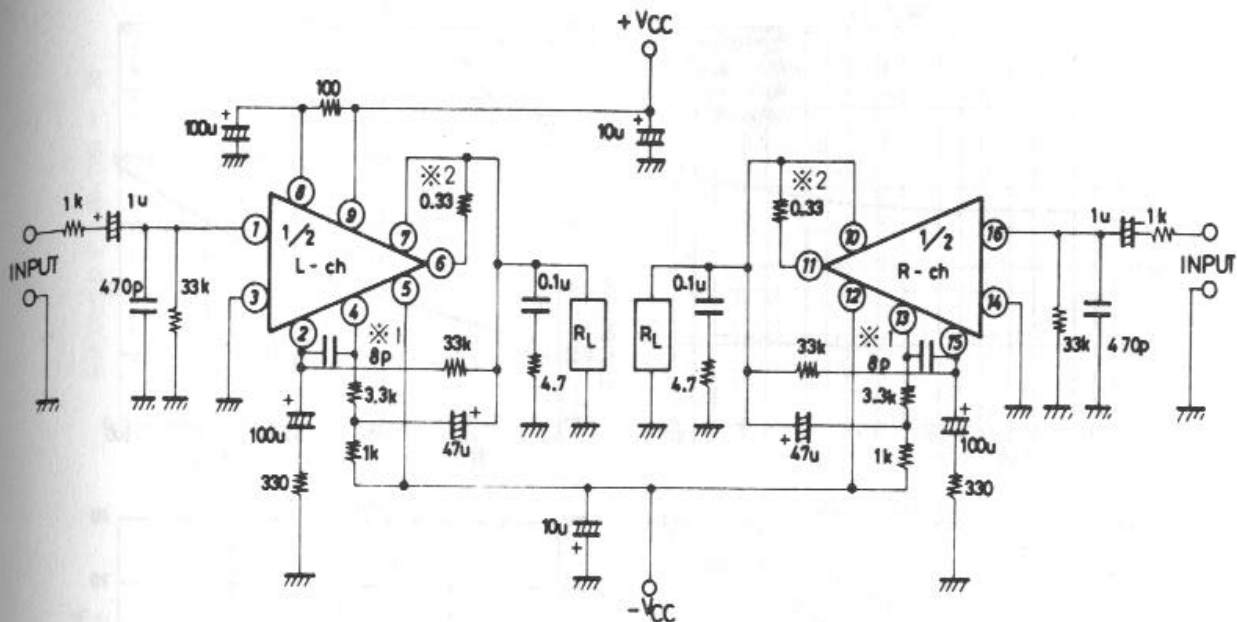
$T_a = 25^{\circ}\text{C}, V_{CC} = \pm 26\text{V}, R_L = 8\Omega, R_g = 600\Omega, V_G = 40\text{dB}$,

		min	typ	max	unit
I_{CC0}	$V_{CC} = \pm 30\text{V}$	20	40	120	mA
$P_o(1)$	$f = 20 \sim 20\text{kHz}, \text{THD} = 0.08\%$	25			W
$P_o(2)$	$V_{CC} = \pm 23\text{V}, f = 1\text{kHz}, \text{THD} = 0.2\%$ $R_L = 4\Omega$	30			W
THD	$f = 20 \sim 20\text{kHz}, P_o = 1\text{W}$			0.08	%
f_L, f_H	$P_o = 1\text{W}, \pm 3\text{dB}, f = 1\text{kHz}$		10~100k		Hz
r_i	$P_o = 1\text{W}, f = 1\text{kHz}$		32k		Ω
V_{NO}	$V_{CC} = \pm 30\text{V}, R_g = 10\text{k}\Omega$ シヤント			1.2	mVrms
V_N	$V_{CC} = \pm 30\text{V}$	-70	0	+70	mV



外形図 4016
(unit : mm)





100×55 mm²)

注 ※1 VG=38dB

※2 0.1~0.22 Ω

$R_L=8\Omega$ 時で 0.03%

$R_L=4\Omega$

