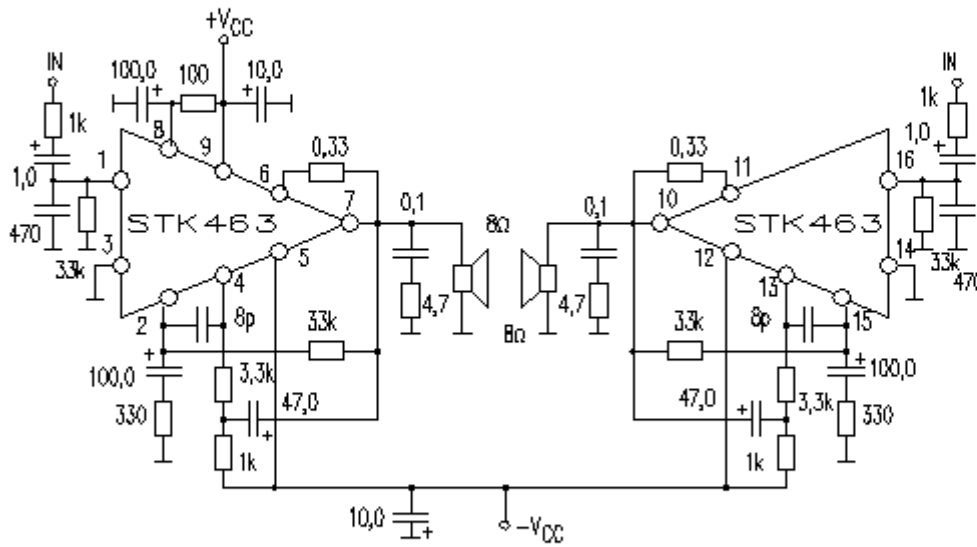


STK463

POWER AMPLIFIER
2x25W



$V_{CC\ MAX} = \pm 38V$
 $V_{CC\ TYP} = \pm 26V \pm 23V$
 $V_{CC\ RNG} = -$
 $P_o = 2 \times 25w \quad 2 \times 30W$
 $R_L = 8\ \Omega \quad 4\ \Omega$
 $TDH = 0,08\% \quad 0,2\%$
 $I_{CCO\ TYP} = 40mA$
 $I_{CCO\ MAX} = 120mA$
 $I_{MAX} = -$
 $R_{IN} = 32k$
 $Gain = 40dB$
 $Noise = 1,2mV$
 $R_{THW-C} = -$
 $Case\ H15$