

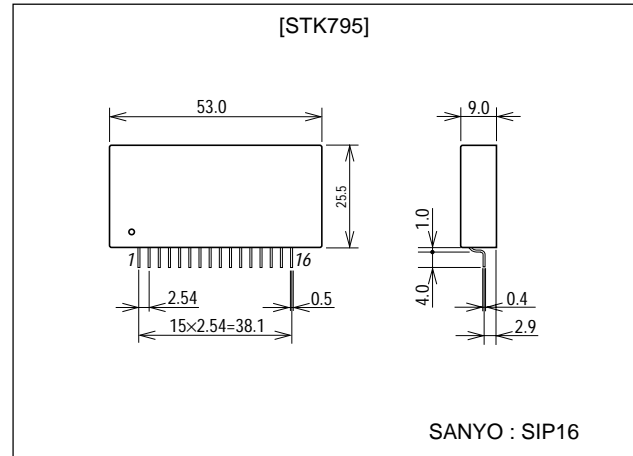
**STK795****Chopper Type Voltage Regulator****Features**

- Self-oscillation type chopper regulator power IC using Sanyo's original IMST (Insulated Metal Substrate Technology) substrate.
- The STK795, being a 5V chopper IC, is more advantageous in the following points as compared with series regulator (dropper type) ICs.
 1. Possible to provide a 5V output power supply circuit with high efficiency.
 2. Since the input voltage range is wide, no more than one rectifying/smoothing circuit is required to provide a multi-output power supply circuit which also delivers 12V or 24V output.
- Functional trimming is used to set 5V output with high accuracy.
- Cutoff function to cut off output voltage by external signal.
- Contains a transistor for overcurrent protector (foldback characteristic) and possible to set the protection level externally.

Package Dimensions

unit:mm

4063A

**Specifications****Maximum Ratings** at $T_a = 25^\circ\text{C}$

Parameter	Symbol	Conditions	Ratings	Unit
Maximum DC Input Voltage	$V_{in(DC) \max}$		40	V
Maximum Output Current	$I_O \max$		3	A
Operating Substrate Temperature	T_c		105	$^\circ\text{C}$
Junction Temperature	T_j		150	$^\circ\text{C}$
Storage temperature	T_{stg}		-30 to +105	$^\circ\text{C}$

Operating Characteristics at $T_a = 25^\circ\text{C}$, See specified Test Circuit.

Parameter	Symbol	Conditions	Ratings			Unit
			min	typ	max	
Output Voltage	V_O	$V_{IN}=12\text{V}, I_O=1.5\text{A}$	4.9	5.0	5.1	V
Line Regulation		$V_{IN}=10 \text{ to } 15\text{V}, I_O=1.5\text{A}$		70	100	mV
Load Regulation		$V_{IN}=12\text{V}, I_O=0.5 \text{ to } 3\text{A}$		30	60	mV
Efficiency		$V_{IN}=12\text{V}, I_O=1.5\text{A}$		72		%
Frequency	f	$V_{IN}=12\text{V}, I_O=1.5\text{A}$		35		kHz
Temperature Coefficient		$V_{IN}=12\text{V}, I_O=1.5\text{A}$		1		mV/ $^\circ\text{C}$

■ Any and all SANYO products described or contained herein do not have specifications that can handle applications that require extremely high levels of reliability, such as life-support systems, aircraft's control systems, or other applications whose failure can be reasonably expected to result in serious physical and/or material damage. Consult with your SANYO representative nearest you before using any SANYO products described or contained herein in such applications.

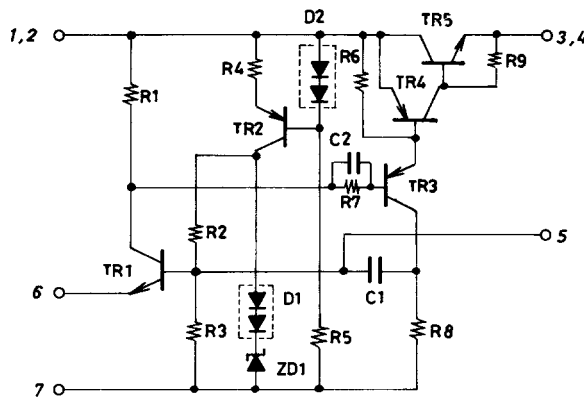
■ SANYO assumes no responsibility for equipment failures that result from using products at values that exceed, even momentarily, rated values (such as maximum ratings, operating condition ranges, or other parameters) listed in products specifications of any and all SANYO products described or contained herein.

SANYO Electric Co., Ltd. Semiconductor Company

TOKYO OFFICE Tokyo Bldg., 1-10, 1 Chome, Ueno, Taito-ku, TOKYO, 110-8534 JAPAN

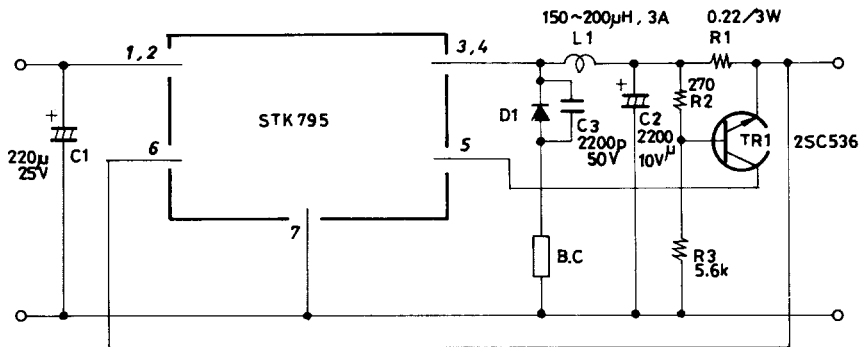
STK795

Equivalent Circuit



www.DataSheet4U.com

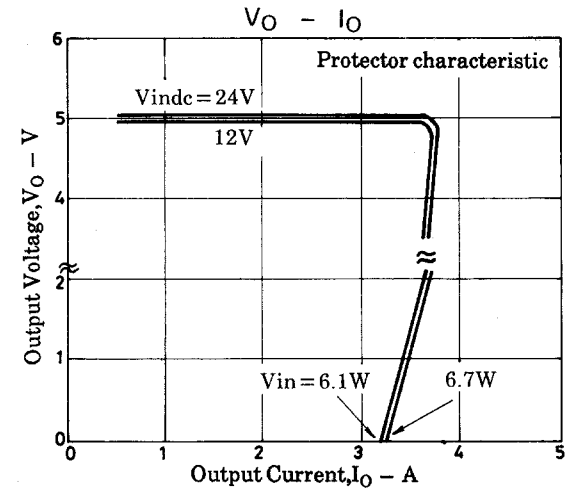
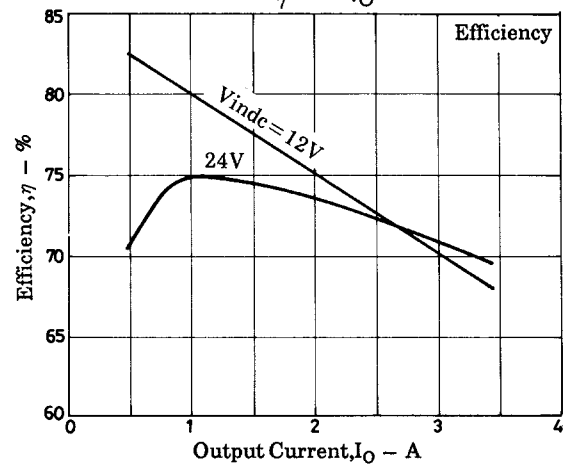
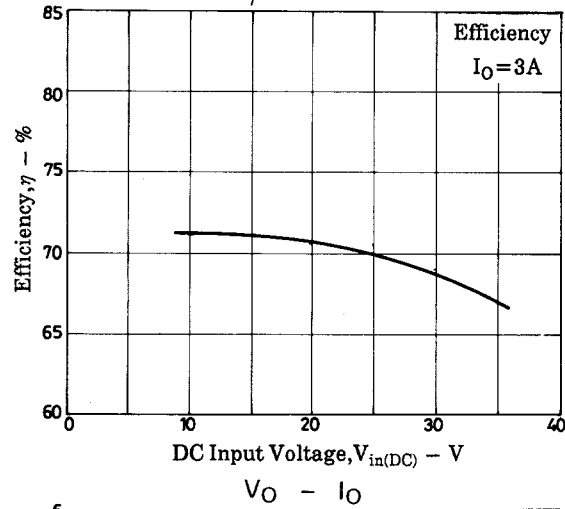
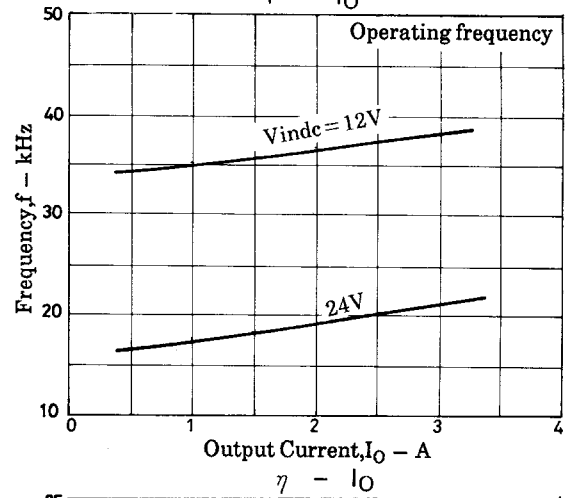
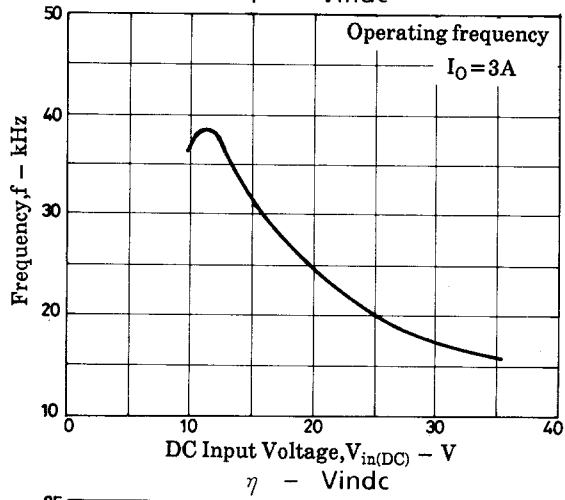
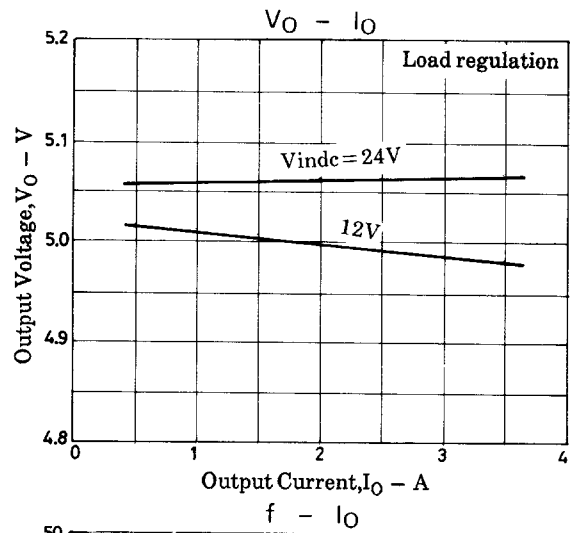
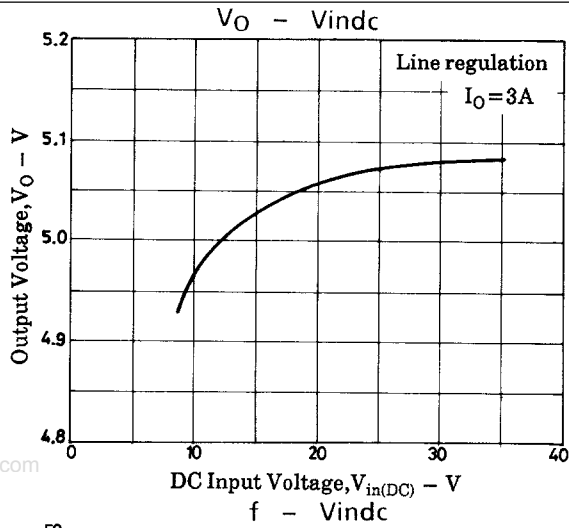
Test Circuit



Unit (resistance: Ω, capacitance: F)

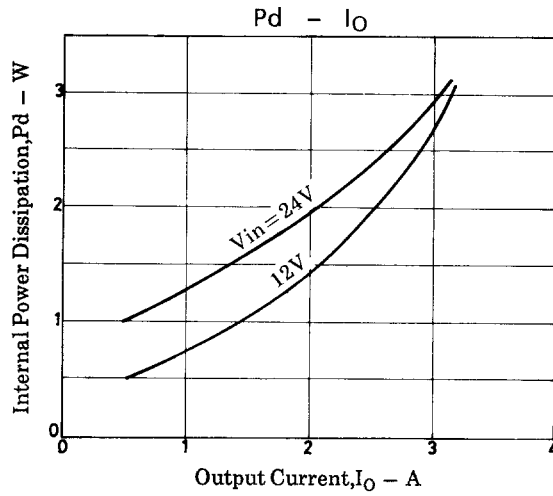
- Note)
- D1 : Schottky barrier diode SB40-05.
 - B. C. : Beads core, 2 to 3µH.
 - C3, B. C. are used to reduce switching spike noise.
 - TR1 is used to provide overcurrent protection.
If no protection is required, remove TR1.
 - A current of 0.5A min. must flow in the load.

STK795



Thermal Design

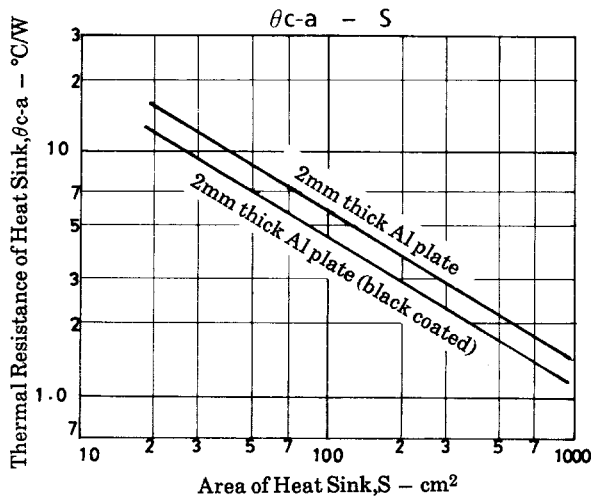
The total internal power dissipation in the IC is related to the output current as shown below. Assuming $V_{in(DC)}=12V$, output current=3A, the total internal power dissipation is 2.7W.



Assuming that the IC case temperature (Al plate) is 85°C ($T_c \text{ max}=105^\circ\text{C}$) and the temperature inside equipment is 60°C max., the thermal resistance required of the heat sink is as shown below.

$$\theta_{c-a} = \frac{85^\circ\text{C} - 60^\circ\text{C}}{2.7\text{W}}$$

$$= 9.3^\circ\text{C/W}$$



For 2mm thick Al plate (black coated), the area is 30cm². (55×55×2t)

Junction temperature T_j of the power transistor which forms a main heat source is calculated as follows :

The thermal resistance of the power transistor is : $\theta_{j-c}=6.2^\circ\text{C/W}$

Therefore, T_j is calculated using $T_j = P_d \times \theta_{j-c} + T_c$.

$$T_j = 2.7\text{W} \times 6.2^\circ\text{C/W} + 85^\circ\text{C} = 101.7^\circ\text{C}$$

Since the actual thermal resistance of the heat sink greatly depends on various conditions such as the layout of equipment or ventilation, allow an ample margin in thermal design.

- Specifications of any and all SANYO products described or contained herein stipulate the performance, characteristics, and functions of the described products in the independent state, and are not guarantees of the performance, characteristics, and functions of the described products as mounted in the customer's products or equipment. To verify symptoms and states that cannot be evaluated in an independent device, the customer should always evaluate and test devices mounted in the customer's products or equipment.
- SANYO Electric Co., Ltd. strives to supply high-quality high-reliability products. However, any and all semiconductor products fail with some probability. It is possible that these probabilistic failures could give rise to accidents or events that could endanger human lives, that could give rise to smoke or fire, or that could cause damage to other property. When designing equipment, adopt safety measures so that these kinds of accidents or events cannot occur. Such measures include but are not limited to protective circuits and error prevention circuits for safe design, redundant design, and structural design.
- In the event that any or all SANYO products(including technical data, services) described or contained herein are controlled under any of applicable local export control laws and regulations, such products must not be exported without obtaining the export license from the authorities concerned in accordance with the above law.
- No part of this publication may be reproduced or transmitted in any form or by any means, electronic or mechanical, including photocopying and recording, or any information storage or retrieval system, or otherwise, without the prior written permission of SANYO Electric Co., Ltd.
- Any and all information described or contained herein are subject to change without notice due to product/technology improvement, etc. When designing equipment, refer to the "Delivery Specification" for the SANYO product that you intend to use.
- Information (including circuit diagrams and circuit parameters) herein is for example only ; it is not guaranteed for volume production. SANYO believes information herein is accurate and reliable, but no guarantees are made or implied regarding its use or any infringements of intellectual property rights or other rights of third parties.

This catalog provides information as of October, 1999. Specifications and information herein are subject to change without notice.