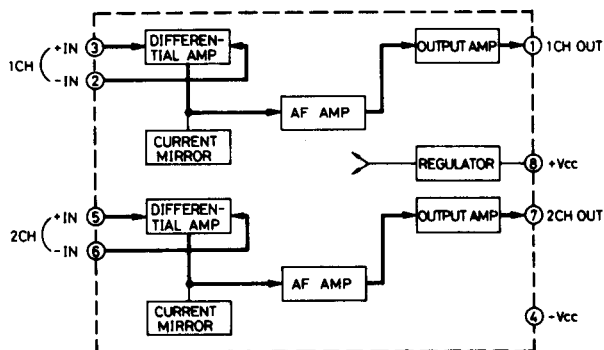


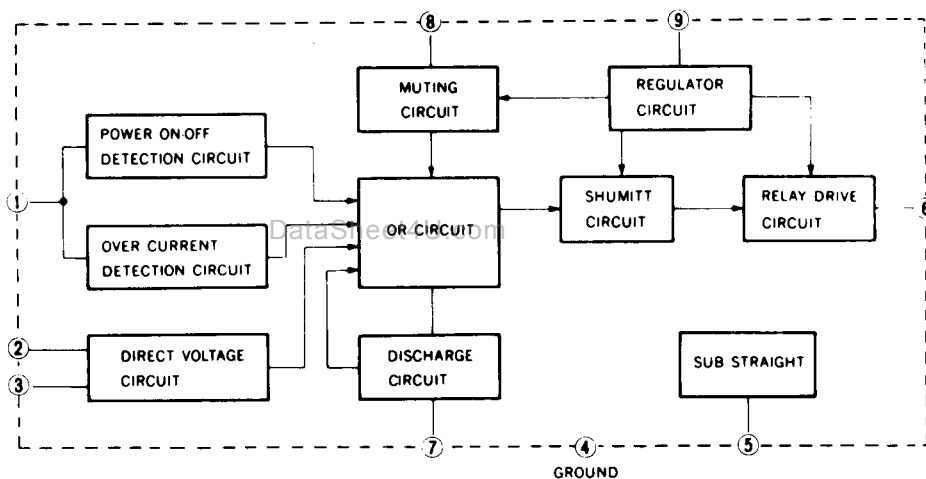
## ■ BLOCK DIAGRAM OF IC'S

- This is the basic block diagram of the inside circuit of IC. In an actual circuit, there may be sometimes idle terminals or some different functions other than the basic circuit.

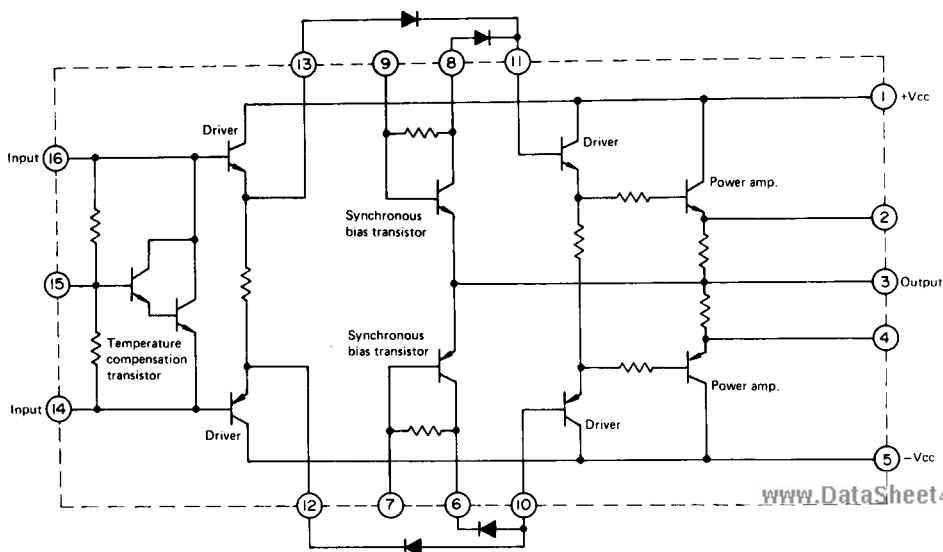


**IC101 (SVINJM4559DS)**  
Equalizer amplifier

**IC303 (AN6552F)**  
Tone control amplifier



**IC601 (SVITA7317P) Speakers protection**



**IC301, 302 (SVISTK8050) Synchronous bias circuit and power amplifier**