



STL30NF3LL

N-CHANNEL 30V - 0.008Ω - 30A PowerFLAT™ LOW GATE CHARGE STripFET™ MOSFET

PRELIMINARY DATA

TYPE	V _{DSS}	R _{DS(on)}	I _D
STL30NF3LL	30 V	< 0.010 Ω	30 A

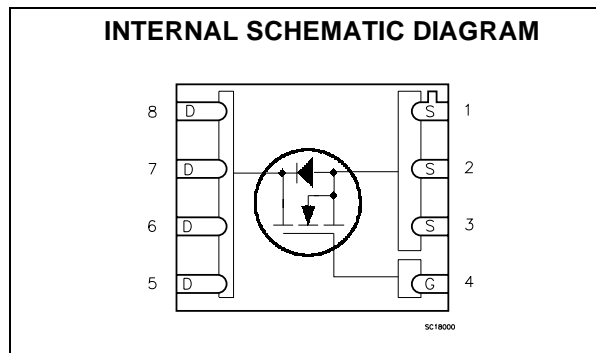
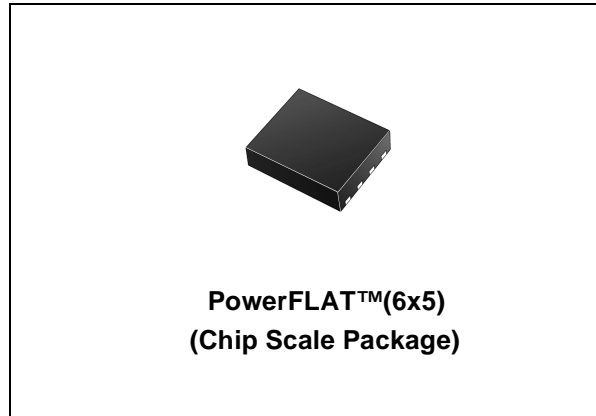
- TYPICAL R_{DS(on)} = 0.008Ω
- IMPROVED DIE-TO-FOOTPRINT RATIO
- VERY LOW PROFILE PACKAGE

DESCRIPTION

This Power MOSFET is the second generation of STMicroelectronics unique "STripFET™" technology. The resulting transistor shows extremely low on-resistance and minimal gate charge. The new PowerFLAT™ package allows a significant reduction in board space without compromising performance.

APPLICATIONS

- DC-DC CONVERTERS
- BATTERY MANAGEMENT IN NOMADIC EQUIPMENT



ABSOLUTE MAXIMUM RATINGS

Symbol	Parameter	Value	Unit
V _{DS}	Drain-source Voltage (V _{GS} = 0)	30	V
V _{DGR}	Drain-gate Voltage (R _{GS} = 20 kΩ)	30	V
V _{GS}	Gate- source Voltage	± 16	V
I _D (#)	Drain Current (continuous) at T _C = 25°C Drain Current (continuous) at T _C = 100°C	30 19	A A
I _{DM} (•)	Drain Current (pulsed)	120	A
P _{TOT}	Total Dissipation at T _C = 25°C	80	W
	Derating Factor	0.64	W/°C
T _{stg}	Storage Temperature	- 55 to 150	°C
T _j	Max. Operating Junction Temperature		

(•) Pulse width limited by safe operating area

(#) Limited by Wire Bonding

STL30NF3LL**THERMAL DATA**

Rthj-case	Thermal Resistance Junction-case Max	1.56	°C/W
Rthj-amb	Thermal Resistance Junction-ambient Max	50	°C/W

ELECTRICAL CHARACTERISTICS (TCASE = 25 °C UNLESS OTHERWISE SPECIFIED)**OFF**

Symbol	Parameter	Test Conditions	Min.	Typ.	Max.	Unit
$V_{(BR)DSS}$	Drain-source Breakdown Voltage	$I_D = 250 \mu A, V_{GS} = 0$	30			V
I_{DSS}	Zero Gate Voltage Drain Current ($V_{GS} = 0$)	$V_{DS} = \text{Max Rating}$ $V_{DS} = \text{Max Rating}, T_C = 125 \text{ }^\circ\text{C}$			1 10	μA μA
I_{GSS}	Gate-body Leakage Current ($V_{DS} = 0$)	$V_{GS} = \pm 16V$			± 100	nA

ON (1)

Symbol	Parameter	Test Conditions	Min.	Typ.	Max.	Unit
$V_{GS(th)}$	Gate Threshold Voltage	$V_{DS} = V_{GS}, I_D = 250 \mu A$	1			V
$R_{DS(on)}$	Static Drain-source On Resistance	$V_{GS} = 10 V, I_D = 15 A$ $V_{GS} = 4.5 V, I_D = 15 A$		0.008 0.0095	0.010 0.013	Ω Ω

DYNAMIC

Symbol	Parameter	Test Conditions	Min.	Typ.	Max.	Unit
$g_{fs} (1)$	Forward Transconductance	$V_{DS} = 15V, I_D = 15 A$		30		S
C_{iss}	Input Capacitance	$V_{DS} = 25 V, f = 1 \text{ MHz}, V_{GS} = 0$		2210		pF
C_{oss}	Output Capacitance			635		pF
C_{rss}	Reverse Transfer Capacitance			138		pF

ELECTRICAL CHARACTERISTICS (CONTINUED)**SWITCHING ON**

Symbol	Parameter	Test Conditions	Min.	Typ.	Max.	Unit
$t_{d(on)}$	Turn-on Delay Time	$V_{DD} = 15\text{ V}$, $I_D = 30\text{ A}$		22		ns
t_r	Rise Time	$R_G = 4.7\Omega$, $V_{GS} = 4.5\text{ V}$ (see test circuit, Figure 1)		130		ns
Q_g	Total Gate Charge	$V_{DD} = 24\text{ V}$, $I_D = 30\text{ A}$,		30	40	nC
Q_{gs}	Gate-Source Charge	$V_{GS} = 5\text{ V}$		9		nC
Q_{gd}	Gate-Drain Charge	(see test circuit, Figure 1)		12.5		nC

SWITCHING OFF

Symbol	Parameter	Test Conditions	Min.	Typ.	Max.	Unit
$t_{d(off)}$	Turn-off-Delay Time	$V_{DD} = 15\text{ V}$, $I_D = 30\text{ A}$,		36.5		ns
t_f	Fall Time	$R_G = 4.7\Omega$, $V_{GS} = 4.5\text{ V}$ (see test circuit, Figure 1)		36.5		ns

SOURCE DRAIN DIODE

Symbol	Parameter	Test Conditions	Min.	Typ.	Max.	Unit
I_{SD}	Source-drain Current				30	A
$I_{SDM(2)}$	Source-drain Current (pulsed)				120	A
$V_{SD(1)}$	Forward On Voltage	$I_{SD} = 15\text{ A}$, $V_{GS} = 0$			1.2	V
t_{rr}	Reverse Recovery Time	$I_{SD} = 30\text{ A}$, $di/dt = 100\text{ A}/\mu\text{s}$,		65		ns
Q_{rr}	Reverse Recovery Charge	$V_{DD} = 15\text{ V}$, $T_j = 150^\circ\text{C}$		105		nC
I_{RRM}	Reverse Recovery Current	(see test circuit, Figure 3)		3.4		A

Note: 1. Pulsed: Pulse duration = 300 μs , duty cycle 1.5 %.
2. Pulse width limited by safe operating area.

STL30NF3LL

Fig. 1: Switching Times Test Circuit For Resistive Load

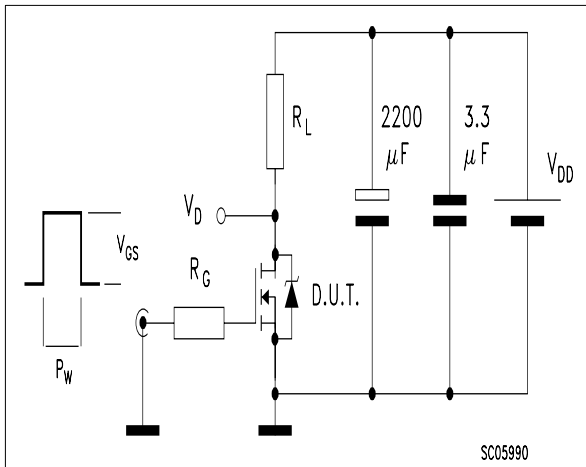


Fig. 2: Gate Charge test Circuit

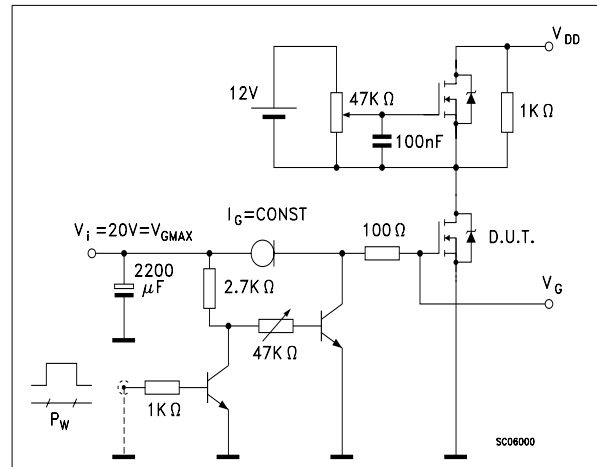
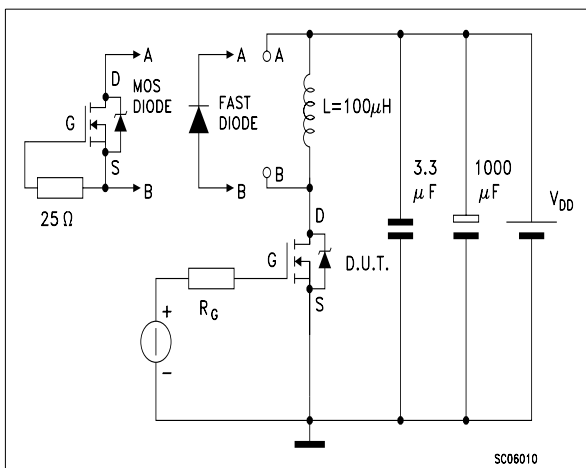
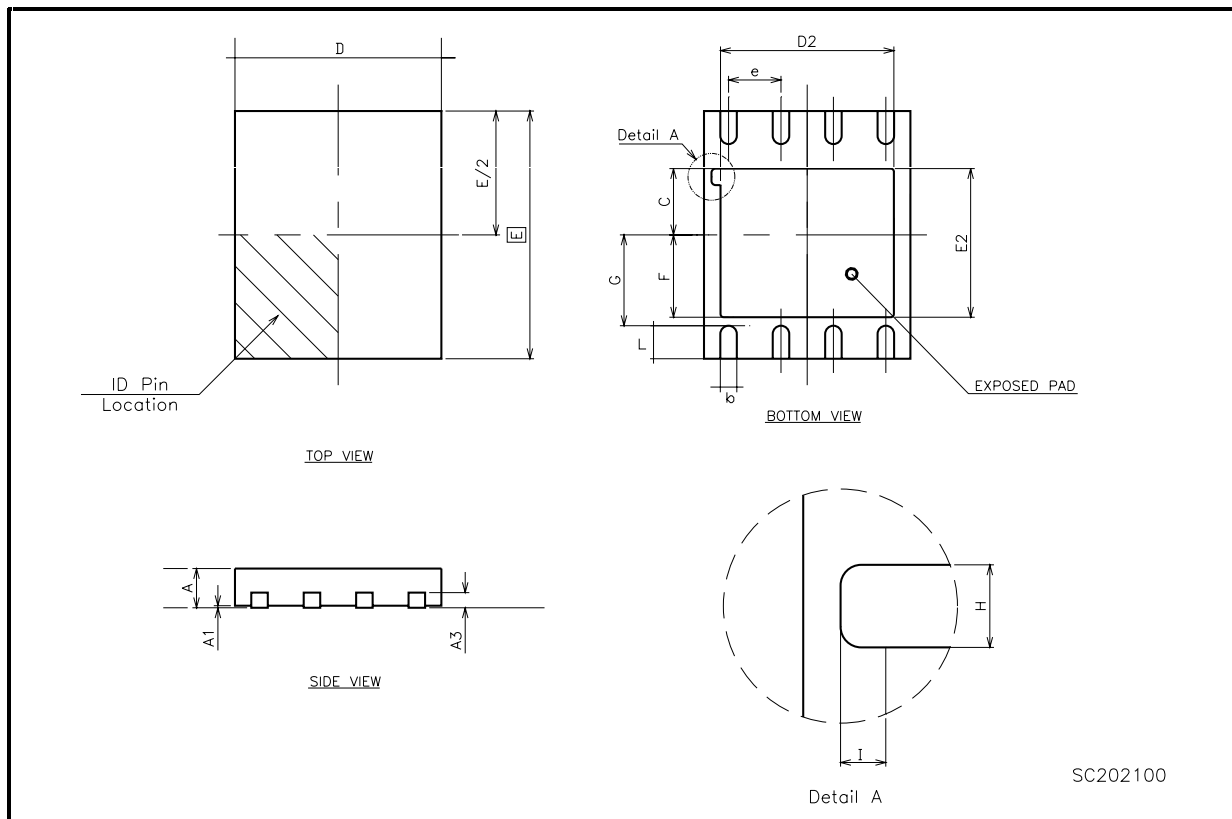


Fig. 3: Test Circuit For Diode Recovery Behaviour



PowerFLAT™(6x5) MECHANICAL DATA

DIM.	mm.			inch		
	MIN.	TYP	MAX.	MIN.	TYP.	MAX.
A	0.80		1.00	0.031		0.039
A1		0.02			0.001	
b	0.35		0.47	0.014		0.018
C		1.61			0.063	
D		5.00			0.197	
D2	4.15		4.25	0.163		0.167
E		6.00			0.236	
E2	3.55		3.65	0.140		0.144
e		1.27			0.049	
F		1.99			0.078	
G		2.20			0.086	
H		0.40			0.015	
I		0.219			0.0086	
L	0.70		0.90	0.028		0.035



STL30NF3LL

Information furnished is believed to be accurate and reliable. However, STMicroelectronics assumes no responsibility for the consequences of use of such information nor for any infringement of patents or other rights of third parties which may result from its use. No license is granted by implication or otherwise under any patent or patent rights of STMicroelectronics. Specification mentioned in this publication are subject to change without notice. This publication supersedes and replaces all information previously supplied. STMicroelectronics products are not authorized for use as critical components in life support devices or systems without express written approval of STMicroelectronics.

The ST logo is a trademark of STMicroelectronics

© 2001 STMicroelectronics – Printed in Italy – All Rights Reserved

STMicroelectronics GROUP OF COMPANIES

Australia - Brazil - China - Finland - France - Germany - Hong Kong - India - Italy - Japan - Malaysia - Malta - Morocco -
Singapore - Spain - Sweden - Switzerland - United Kingdom - U.S.A.

<http://www.st.com>