

N-channel 650 V, 0.075 Ω typ., 22.5 A MDmesh™ M5 Power MOSFET in a PowerFLAT™ 8x8 HV package

Datasheet - production data

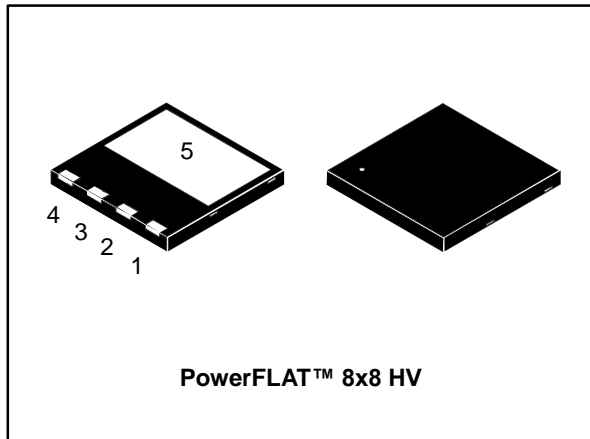
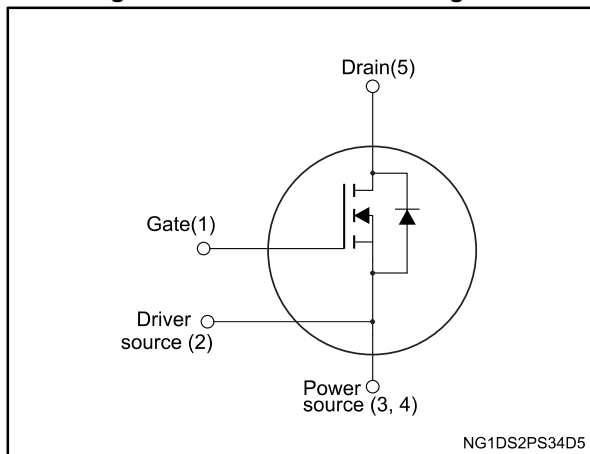


Figure 1: Internal schematic diagram



Features

Order code	V_{DS} @ $T_{Jmax.}$	$R_{DS(on)}$ max.	I_D	P_{TOT}
STL45N65M5	710 V	0.086 Ω	22.5 A	160 W

- Extremely low $R_{DS(on)}$
- Low gate charge and input capacitance
- Excellent switching performance
- 100% avalanche tested

Applications

- Switching applications

Description

This device is an N-channel Power MOSFET based on the MDmesh™ M5 innovative vertical process technology combined with the well-known PowerMESH™ horizontal layout. The resulting product offers extremely low on-resistance, making it particularly suitable for applications requiring high power and superior efficiency.

Table 1: Device summary

Order code	Marking	Package	Packing
STL45N65M5	45N65M5	PowerFLAT™ 8x8 HV	Tape and reel

Contents

- 1 Electrical ratings 3**
- 2 Electrical characteristics 4**
 - 2.1 Electrical characteristics (curves) 6
- 3 Test circuits 9**
- 4 Package information 10**
 - 4.1 PowerFLAT 8x8 HV package information 11
 - 4.2 PowerFLAT 8x8 HV packing information 13
- 5 Revision history 15**

1 Electrical ratings

Table 2: Absolute maximum ratings

Symbol	Parameter	Value	Unit
V_{DS}	Drain-source voltage	650	V
V_{GS}	Gate-source voltage	± 25	V
$I_D^{(1)}$	Drain current (continuous) at $T_{case} = 25\text{ }^\circ\text{C}$	22.5	A
	Drain current (continuous) at $T_{case} = 100\text{ }^\circ\text{C}$	18	
$I_{DM}^{(1)(2)}$	Drain current (pulsed)	90	A
$P_{TOT}^{(1)}$	Total dissipation at $T_{case} = 25\text{ }^\circ\text{C}$	160	W
$I_D^{(3)}$	Drain current (continuous) at $T_{amb} = 25\text{ }^\circ\text{C}$	3.8	A
	Drain current (continuous) at $T_{amb} = 100\text{ }^\circ\text{C}$	2.4	
$P_{TOT}^{(3)}$	Total dissipation at $T_{amb} = 25\text{ }^\circ\text{C}$	2.8	W
$dv/dt^{(4)}$	Peak diode recovery voltage slope	15	V/ns
T_{stg}	Storage temperature	-55 to 150	$^\circ\text{C}$
T_j	Operating junction temperature		

Notes:

- (1) The value is rated according to $R_{thj-case}$ and limited by package.
- (2) Pulse width limited by safe operating area.
- (3) When mounted on a 1-inch² FR-4, 2oz Cu board.
- (4) $I_{SD} \leq 22.5\text{ A}$, $di/dt \leq 400\text{ A}/\mu\text{s}$, $V_{DD} = 400\text{ V}$, $V_{DS(peak)} < V_{(BR)DSS}$.

Table 3: Thermal data

Symbol	Parameter	Value	Unit
$R_{thj-case}$	Thermal resistance junction-case	0.78	$^\circ\text{C}/\text{W}$
$R_{thj-amb}^{(1)}$	Thermal resistance junction-ambient	45	

Notes:

- (1) When mounted on a 1-inch² FR-4, 2oz Cu board.

Table 4: Avalanche characteristics

Symbol	Parameter	Value	Unit
$I_{AR}^{(1)}$	Avalanche current, repetitive or not repetitive	8	A
$E_{AS}^{(2)}$	Single pulse avalanche energy	810	mJ

Notes:

- (1) Pulse width limited by T_{jmax} .
- (2) starting $T_j = 25\text{ }^\circ\text{C}$, $I_D = I_{AR}$, $V_{DD} = 50\text{ V}$.

2 Electrical characteristics

($T_{\text{case}} = 25\text{ °C}$ unless otherwise specified)

Table 5: Static

Symbol	Parameter	Test conditions	Min.	Typ.	Max.	Unit
$V_{(\text{BR})\text{DSS}}$	Drain-source breakdown voltage	$V_{\text{GS}} = 0\text{ V}$, $I_{\text{D}} = 1\text{ mA}$	650			V
I_{DSS}	Zero gate voltage drain current	$V_{\text{GS}} = 0\text{ V}$, $V_{\text{DS}} = 650\text{ V}$			1	μA
		$V_{\text{GS}} = 0\text{ V}$, $V_{\text{DS}} = 650\text{ V}$, $T_{\text{case}} = 125\text{ °C}$			100	μA
I_{GSS}	Gate-body leakage current	$V_{\text{DS}} = 0\text{ V}$, $V_{\text{GS}} = \pm 25\text{ V}$			± 100	nA
$V_{\text{GS(th)}}$	Gate threshold voltage	$V_{\text{DS}} = V_{\text{GS}}$, $I_{\text{D}} = 250\text{ }\mu\text{A}$	3	4	5	V
$R_{\text{DS(on)}}$	Static drain-source on-resistance	$V_{\text{GS}} = 10\text{ V}$, $I_{\text{D}} = 14.5\text{ A}$		0.075	0.086	Ω

Table 6: Dynamic

Symbol	Parameter	Test conditions	Min.	Typ.	Max.	Unit
C_{ISS}	Input capacitance	$V_{\text{DS}} = 100\text{ V}$, $f = 1\text{ MHz}$, $V_{\text{GS}} = 0\text{ V}$	-	3470	-	pF
C_{OSS}	Output capacitance		-	82	-	
C_{RSS}	Reverse transfer capacitance		-	7	-	
$C_{\text{O(er)}^{(1)}}$	Equivalent output capacitance energy related	$V_{\text{GS}} = 0\text{ V}$, $V_{\text{DS}} = 0\text{ to }520\text{ V}$	-	79	-	pF
$C_{\text{O(tr)}^{(2)}}$	Equivalent output capacitance time related		-	280	-	
R_{G}	Intrinsic gate resistance	$f = 1\text{ MHz}$, $I_{\text{D}} = 0\text{ A}$	-	2	-	Ω
Q_{g}	Total gate charge	$V_{\text{DD}} = 520\text{ V}$, $I_{\text{D}} = 17.5\text{ A}$, $V_{\text{GS}} = 10\text{ V}$ (see Figure 16: "Gate charge test circuit")	-	82	-	nC
Q_{gs}	Gate-source charge		-	18.5	-	
Q_{gd}	Gate-drain charge		-	35	-	

Notes:

(1) Energy related is defined as a constant equivalent capacitance giving the same stored energy as C_{OSS} when V_{DS} increases from 0 to 80% V_{DSS}

(2) Time related is defined as a constant equivalent capacitance giving the same charging time as C_{OSS} when V_{DS} increases from 0 to 80% V_{DSS}

Table 7: Switching times

Symbol	Parameter	Test conditions	Min.	Typ.	Max.	Unit
$t_{\text{d(v)}}$	Voltage delay time	$V_{\text{DD}} = 400\text{ V}$, $I_{\text{D}} = 22.5\text{ A}$ $R_{\text{G}} = 4.7\text{ }\Omega$, $V_{\text{GS}} = 10\text{ V}$ (see Figure 20: "Switching time waveform")	-	79.5	-	ns
$t_{\text{r(v)}}$	Voltage rise time		-	11	-	
$t_{\text{f(i)}}$	Current fall time		-	9.3	-	
$t_{\text{c(off)}}$	Crossing time		-	16	-	

Table 8: Source-drain diode

Symbol	Parameter	Test conditions	Min.	Typ.	Max.	Unit
$I_{SD}^{(1)}$	Source-drain current		-		22.5	A
$I_{SDM}^{(1)(2)}$	Source-drain current (pulsed)		-		90	A
$V_{SD}^{(3)}$	Forward on voltage	$V_{GS} = 0\text{ V}$, $I_{SD} = 22.5\text{ A}$	-		1.5	V
t_{rr}	Reverse recovery time	$I_{SD} = 22.5\text{ A}$, $di/dt = 100\text{ A}/\mu\text{s}$, $V_{DD} = 100\text{ V}$ (see Figure 17: "Test circuit for inductive load switching and diode recovery times")	-	346		ns
Q_{rr}	Reverse recovery charge		-	6		μC
I_{RRM}	Reverse recovery current		-	35		A
t_{rr}	Reverse recovery time	$I_{SD} = 22.5\text{ A}$, $di/dt = 100\text{ A}/\mu\text{s}$, $V_{DD} = 100\text{ V}$, $T_J = 150\text{ }^\circ\text{C}$ (see Figure 17: "Test circuit for inductive load switching and diode recovery times")	-	432		ns
Q_{rr}	Reverse recovery charge		-	8.4		μC
I_{RRM}	Reverse recovery current		-	39		A

Notes:

- (1) The value is rated according to $R_{thj-case}$ and limited by package.
(2) Pulse width is limited by safe operating area.
(3) Pulse test: pulse duration = 300 μs , duty cycle 1.5%.

2.1 Electrical characteristics (curves)

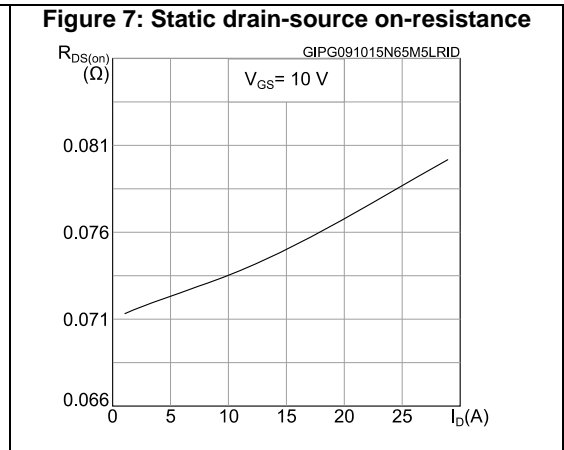
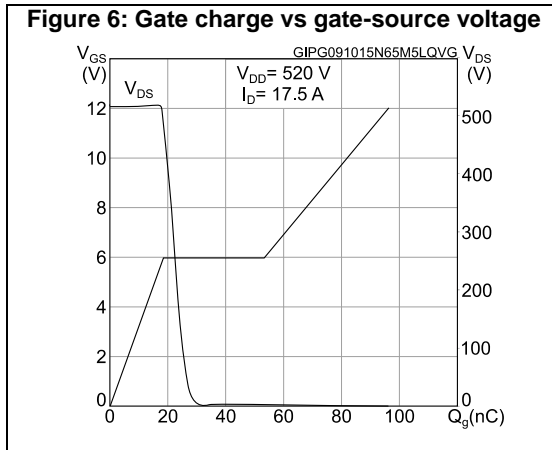
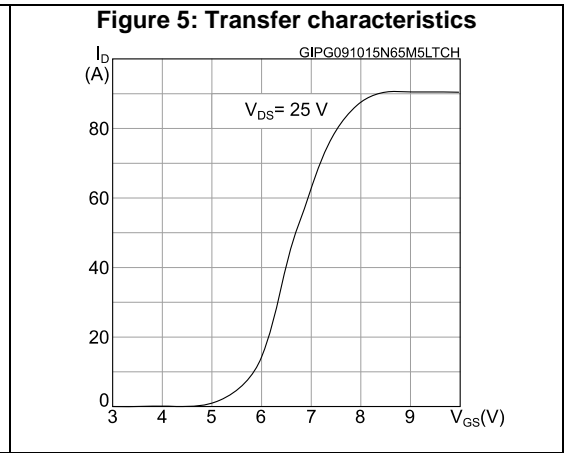
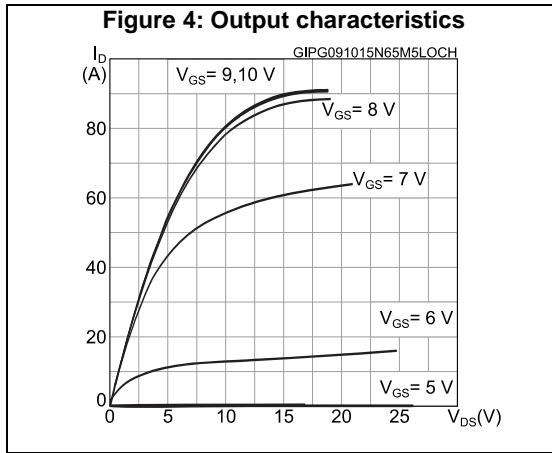
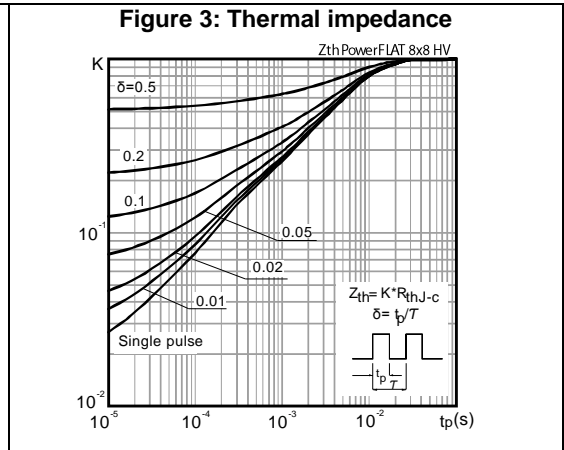
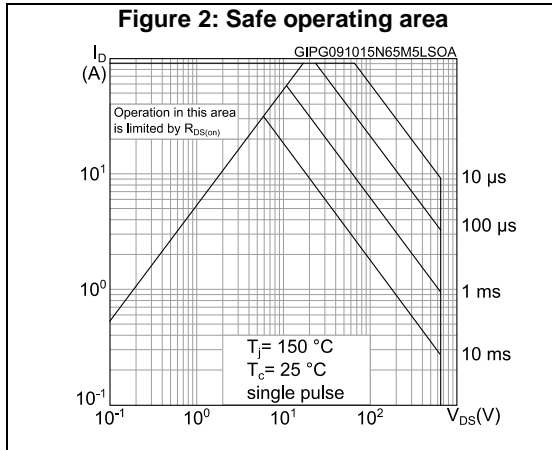


Figure 8: Capacitance variations

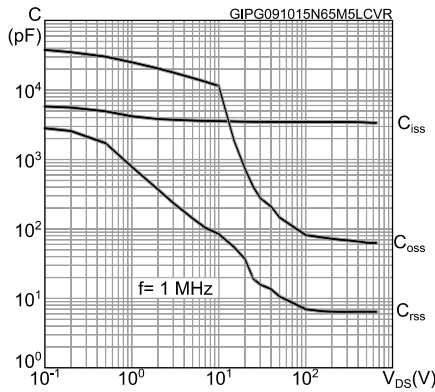


Figure 9: Output capacitance stored energy

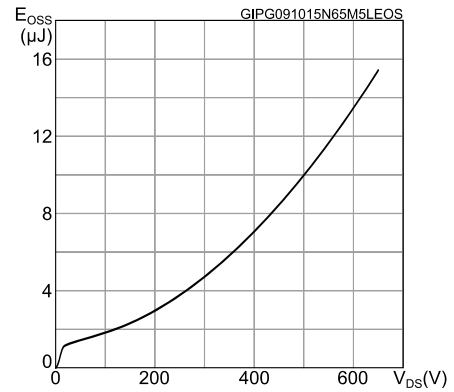


Figure 10: Normalized gate threshold voltage vs temperature

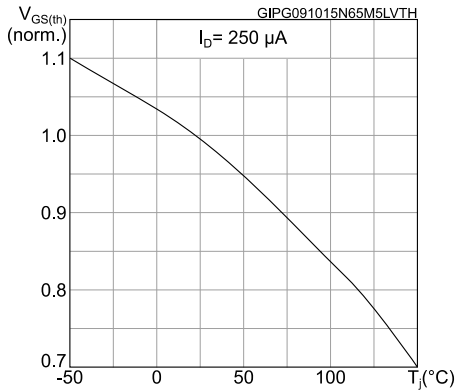


Figure 11: Normalized on-resistance vs. temperature

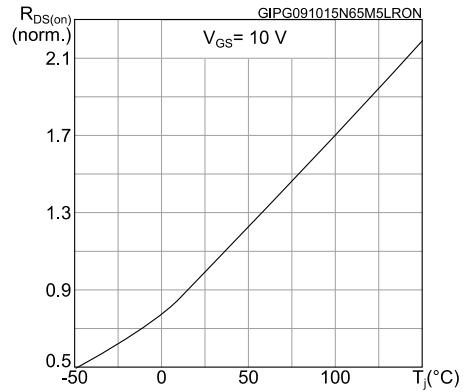


Figure 12: Drain-source diode forward characteristics

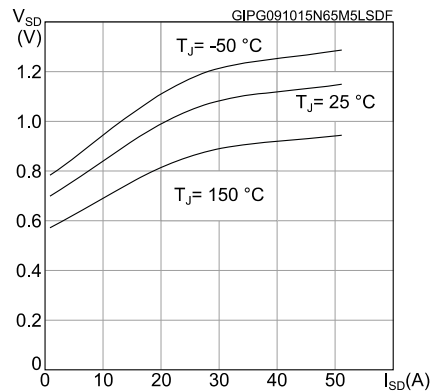


Figure 13: Normalized V(BR)DSS vs temperature

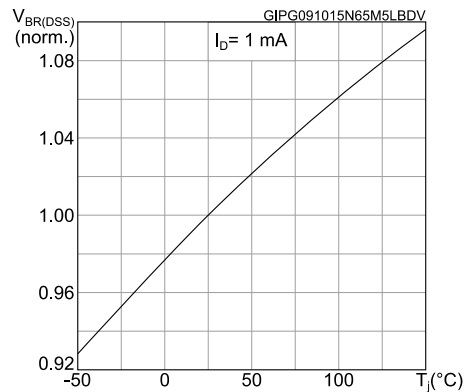
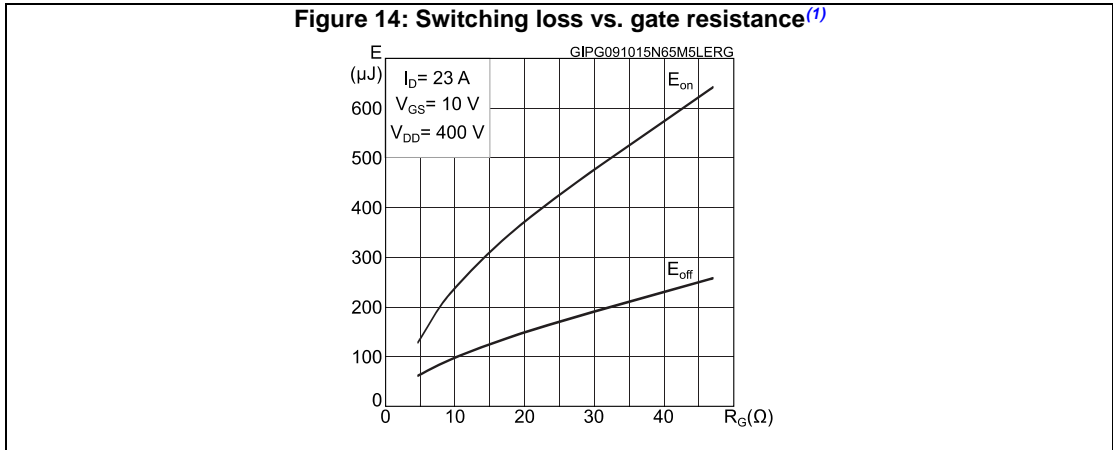


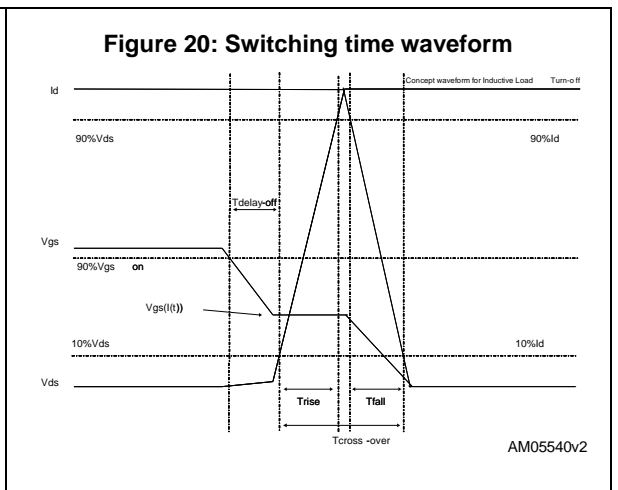
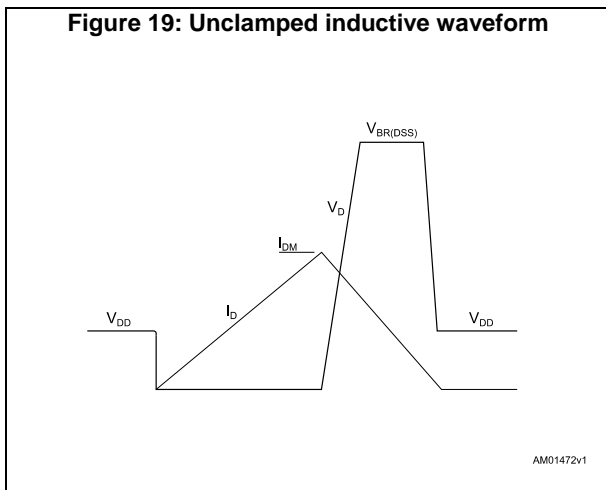
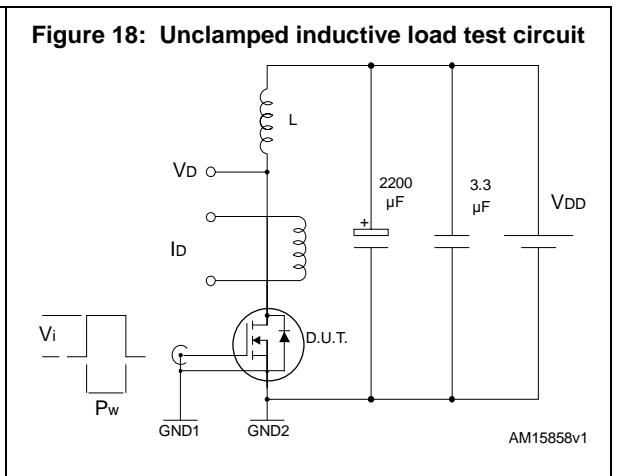
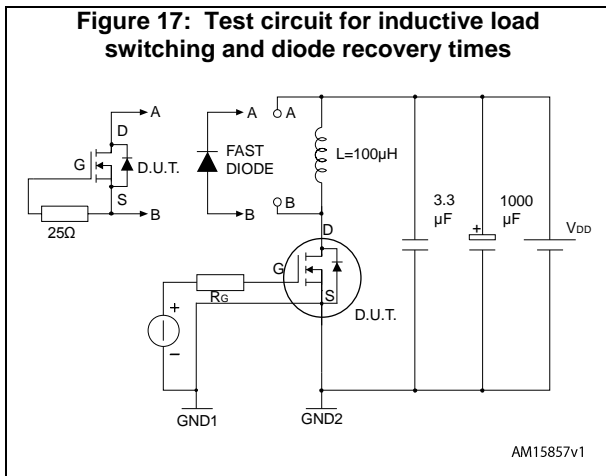
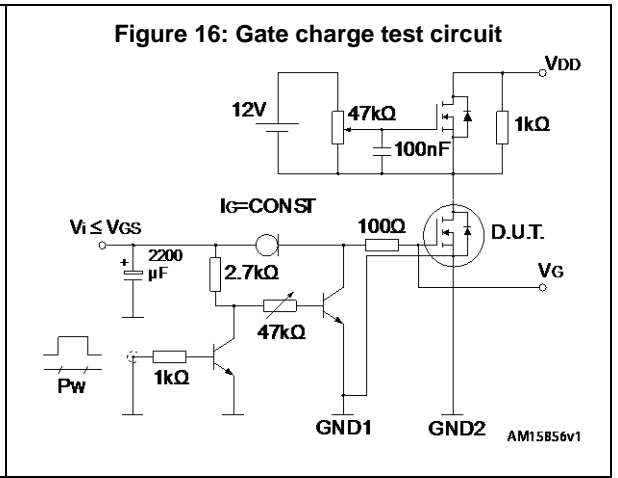
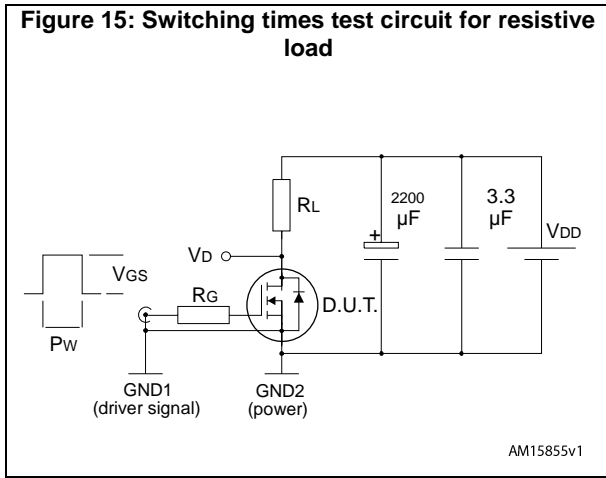
Figure 14: Switching loss vs. gate resistance⁽¹⁾



Notes:

⁽¹⁾E_{on} including reverse recovery of a SiC diode

3 Test circuits

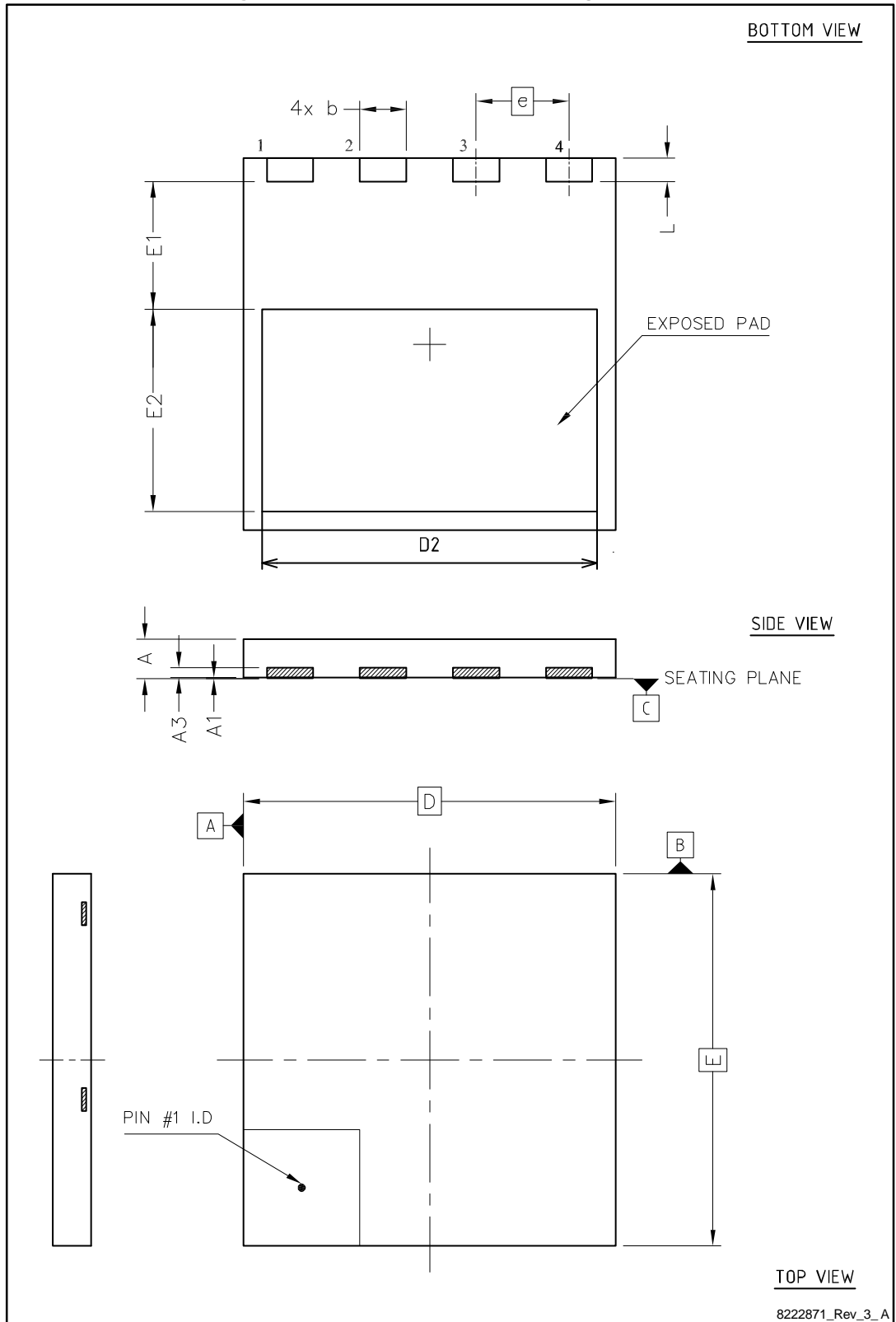


4 Package information

In order to meet environmental requirements, ST offers these devices in different grades of ECOPACK® packages, depending on their level of environmental compliance. ECOPACK® specifications, grade definitions and product status are available at: www.st.com. ECOPACK® is an ST trademark.

4.1 PowerFLAT 8x8 HV package information

Figure 21: PowerFLAT™ 8x8 HV package outline

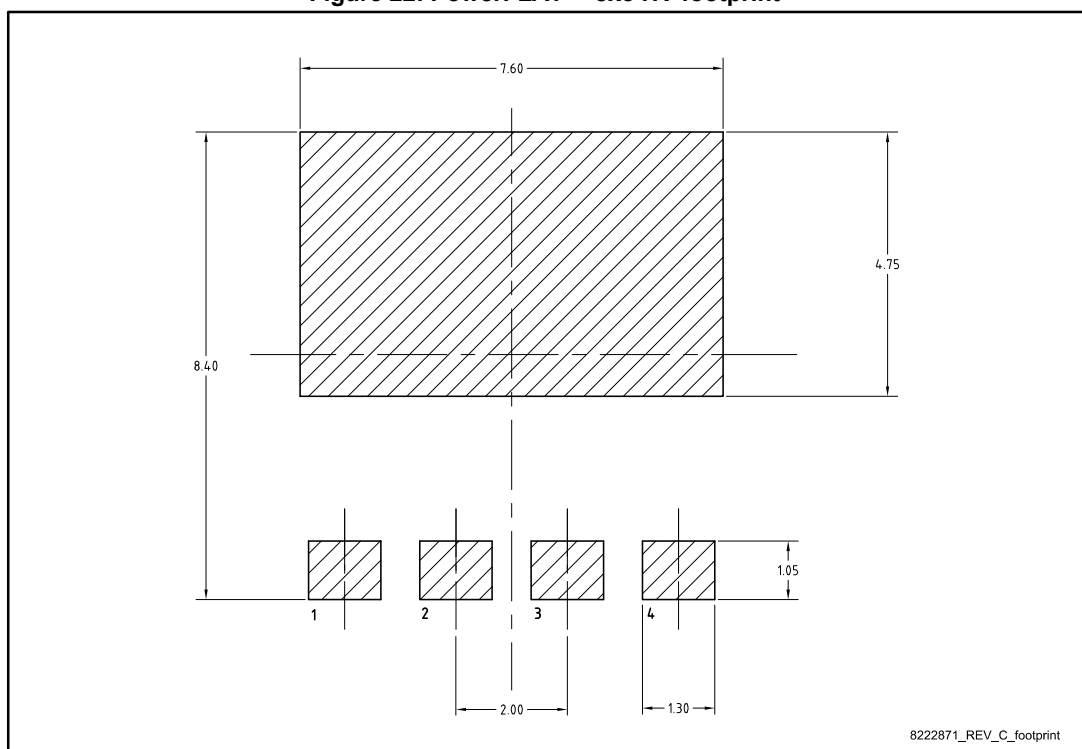


8222871_Rev_3_A

Table 9: PowerFLAT™ 8x8 HV mechanical data

Dim.	mm		
	Min.	Typ.	Max.
A	0.75	0.85	0.95
A1	0.00		0.05
A3	0.10	0.20	0.30
b	0.90	1.00	1.10
D	7.90	8.00	8.10
E	7.90	8.00	8.10
D2	7.10	7.20	7.30
E1	2.65	2.75	2.85
E2	4.25	4.35	4.45
e		2.00	
L	0.40	0.50	0.60

Figure 22: PowerFLAT™ 8x8 HV footprint



All dimensions are in millimeters.

4.2 PowerFLAT 8x8 HV packing information

Figure 23: PowerFLAT™ 8x8 HV tape

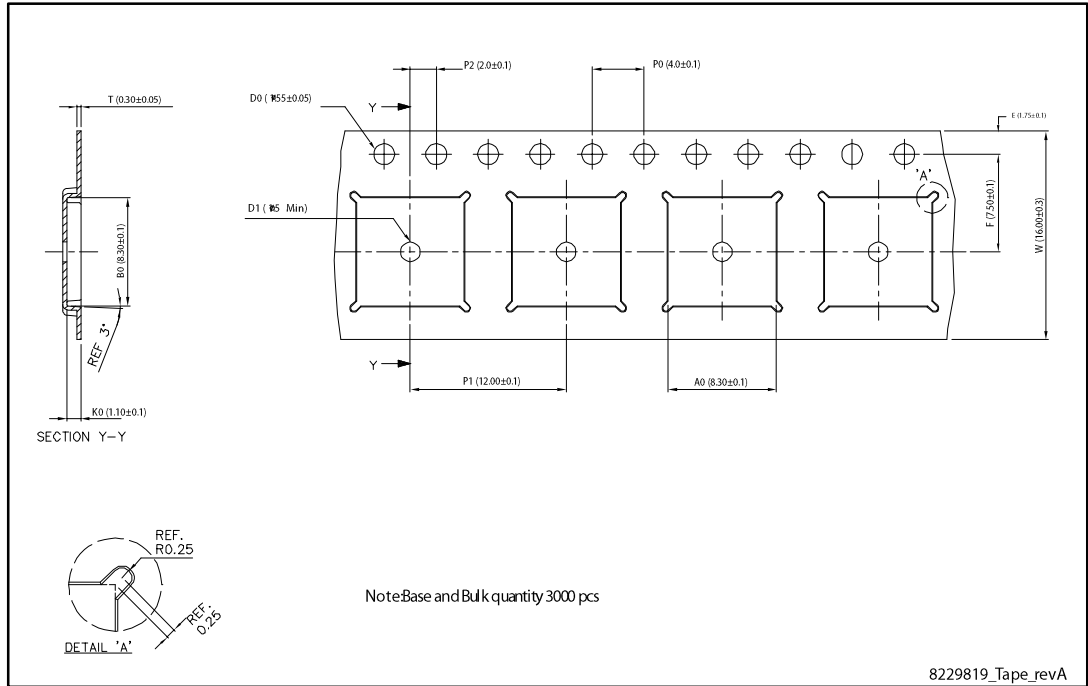


Figure 24: PowerFLAT™ 8x8 HV package orientation in carrier tape

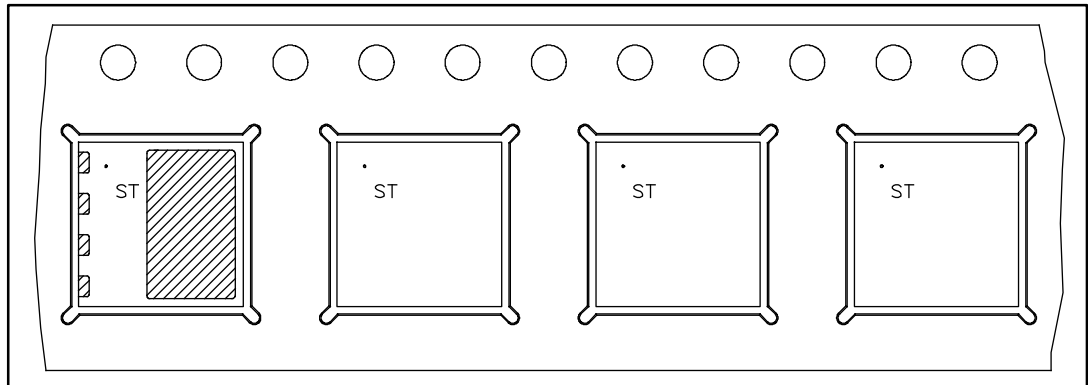
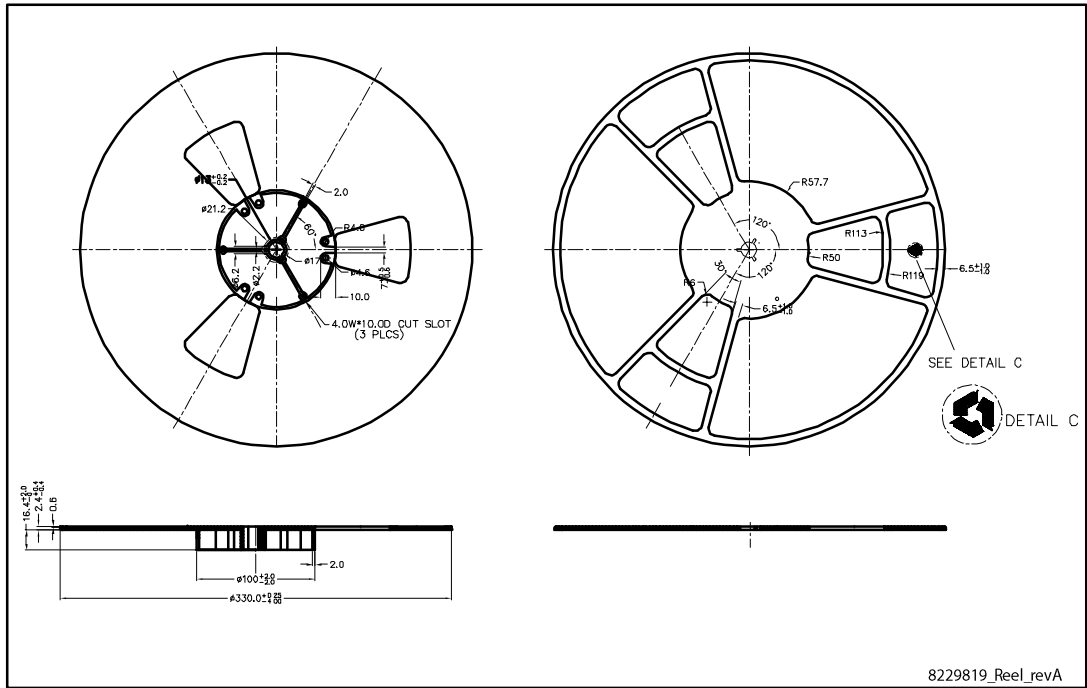


Figure 25: PowerFLAT™ 8x8 HV reel



5 Revision history

Table 10: Document revision history

Date	Revision	Changes
20-Sep-2012	1	First release.
09-Oct-2015	2	Text and formatting changes throughout document Datasheet status changed from preliminary to production data In section Electrical ratings: - added table Avalanche characteristics In section Electrical characteristics: - renamed table Static (was On /off states) Updated section Test circuits Updated and renamed section Package information (was Package mechanical data)

IMPORTANT NOTICE – PLEASE READ CAREFULLY

STMicroelectronics NV and its subsidiaries ("ST") reserve the right to make changes, corrections, enhancements, modifications, and improvements to ST products and/or to this document at any time without notice. Purchasers should obtain the latest relevant information on ST products before placing orders. ST products are sold pursuant to ST's terms and conditions of sale in place at the time of order acknowledgement.

Purchasers are solely responsible for the choice, selection, and use of ST products and ST assumes no liability for application assistance or the design of Purchasers' products.

No license, express or implied, to any intellectual property right is granted by ST herein.

Resale of ST products with provisions different from the information set forth herein shall void any warranty granted by ST for such product.

ST and the ST logo are trademarks of ST. All other product or service names are the property of their respective owners.

Information in this document supersedes and replaces information previously supplied in any prior versions of this document.

© 2015 STMicroelectronics – All rights reserved