



STLS2E02

Loongson 2E: 700MHz 64-bit superscalar MIPS® based microprocessor

Data Brief

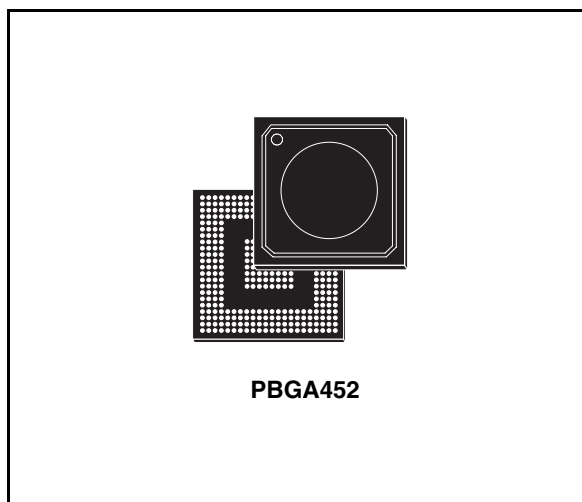
Features

- 64 bit superscalar architecture
- 700MHz clock frequency (typical conditions)
- Single/double precision floating-point units
- New Streaming Multimedia instruction set support (SIMD)
- 64KB instruction cache, 64KB data cache, on-chip 512KB unified L2 cache
- On-chip DDR-333 controller
- Thermal Design Power (TDP)
 - 4W @ 700MHz
- Leading edge 90nm process technology
- 35x35 BGA package
- MIPS based
- MIPS bus interface (Sysad)

Description

The STLS2E02, is a MIPS based 64-bit superscalar microprocessor, able to issue four instructions per clock cycle among six functional units: two integer, two single/double-precision floating-point, one 64bit SIMD and one load/store unit.

The microarchitecture is organized with nine stages of pipeline and support of dynamic branch prediction.



The memory hierarchy is composed by the first level of 64KB 4-way set associative cache for instructions and data, the second level of 512KB unified 4-ways set associative cache and the Memory Management Unit with Table Lookside Buffer.

The Loongson microprocessor family is the outcome of a successful collaboration started in 2004 between STMicroelectronics and the Institute of Computing Technology, part of the Chinese Academy of Science. Loongson microprocessors were co-developed by STMicroelectronics and the Institute of Computing Technology to address all the applications requiring high level of performance and low power dissipation.

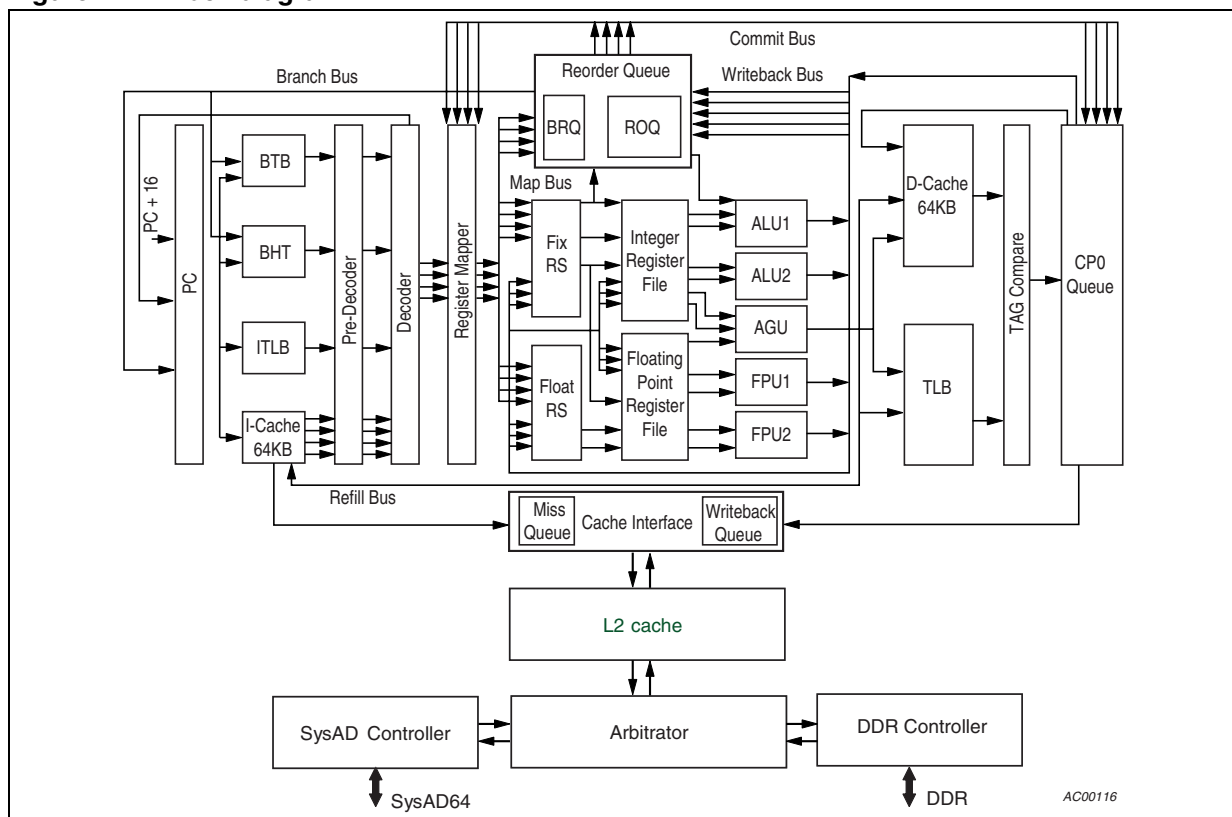
Table 1. Device summary

Part numbers	Package	Packing
STLS2E02	PBGA452 (35x35x2.33mm)	Tray

1 Architectural features and block diagram

- CPU
 - Out-of-order superscalar 64bit architecture
 - MIPS based
 - 9 stage pipeline organized in fetch, pre-decode, decode, reg-map, dispatch, issue, reg-read, execution and commit
 - Up to 64 instructions executed out-of-order with four issue mechanism
 - 64bit register file (32 fix+32 float)
 - Register renaming unit composed by 64-entry physical register files
 - Branch prediction unit
 - Six functional units: two integer, two float, one SIMD unit, one load/store unit
- Memory Hierarchy
 - 64KB + 64KB four-ways set-associative first level instruction and data cache
 - 512KB four-ways set associative unified second level cache
 - Up to 24 non-blocking accesses with on-the-fly Memory Disambiguation
 - Load speculation through value return from previous pending stores
 - Miss word first access for cache miss access
 - Instruction 16-entry TLB (Table Lookside Buffer) and unified 64-entry TLB with page size from 4KB to 4MB

Figure 1. Block diagram

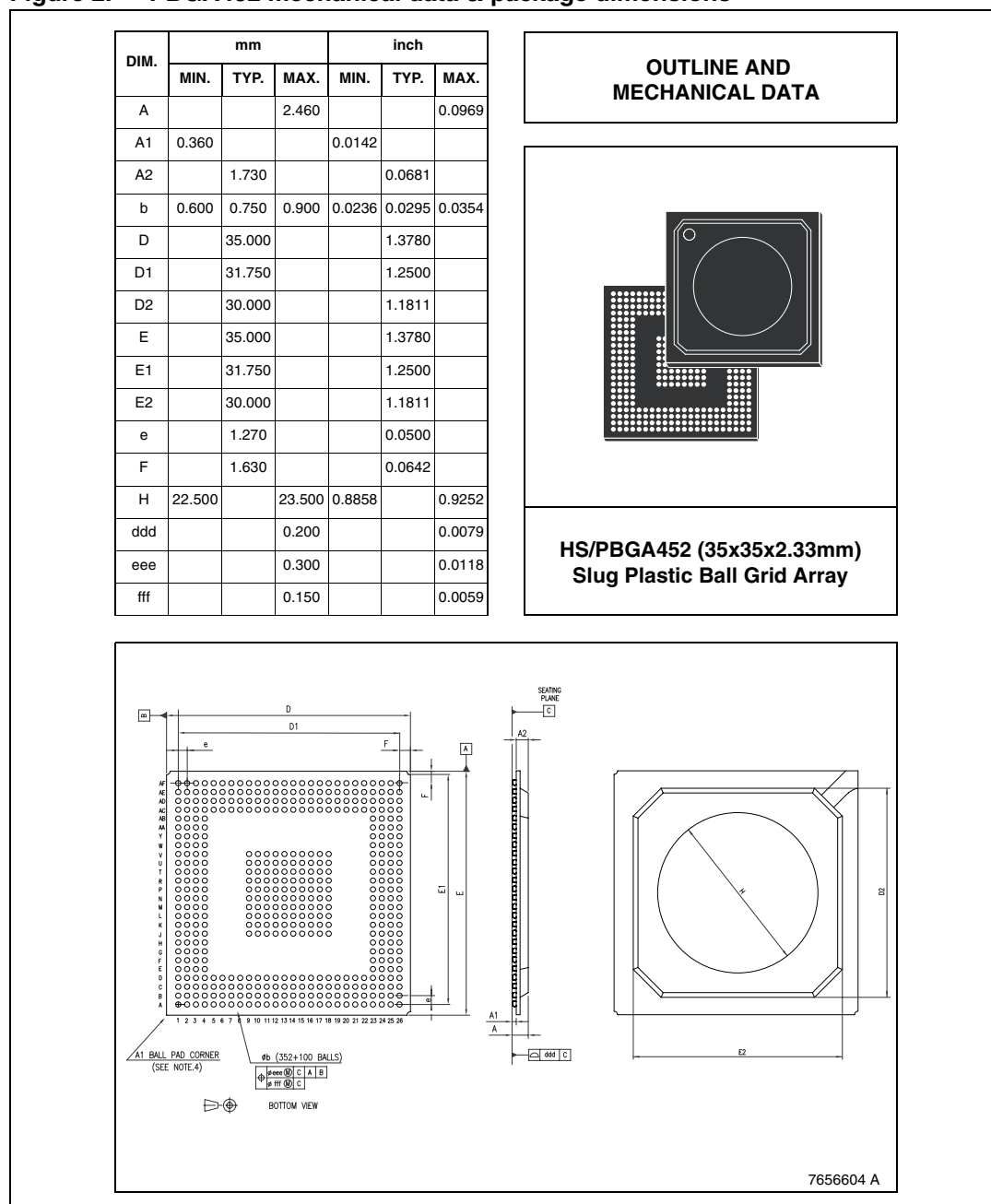


2 Package information

In order to meet environmental requirements, ST offers these devices in ECOPACK® packages. These packages have a Lead-free second level interconnect. The category of second Level Interconnect is marked on the package and on the inner box label, in compliance with JEDEC Standard JESD97. The maximum ratings related to soldering conditions are also marked on the inner box label.

ECOPACK is an ST trademark. ECOPACK specifications are available at: www.st.com.

Figure 2. PBGA452 mechanical data & package dimensions



3 Revision history

Table 2. Document revision history

Date	Revision	Changes
23-Mar-2007	1	Initial release.
26-Apr-2007	2	Text modifications.

Please Read Carefully:

Information in this document is provided solely in connection with ST products. STMicroelectronics NV and its subsidiaries ("ST") reserve the right to make changes, corrections, modifications or improvements, to this document, and the products and services described herein at any time, without notice.

All ST products are sold pursuant to ST's terms and conditions of sale.

Purchasers are solely responsible for the choice, selection and use of the ST products and services described herein, and ST assumes no liability whatsoever relating to the choice, selection or use of the ST products and services described herein.

No license, express or implied, by estoppel or otherwise, to any intellectual property rights is granted under this document. If any part of this document refers to any third party products or services it shall not be deemed a license grant by ST for the use of such third party products or services, or any intellectual property contained therein or considered as a warranty covering the use in any manner whatsoever of such third party products or services or any intellectual property contained therein.

UNLESS OTHERWISE SET FORTH IN ST'S TERMS AND CONDITIONS OF SALE ST DISCLAIMS ANY EXPRESS OR IMPLIED WARRANTY WITH RESPECT TO THE USE AND/OR SALE OF ST PRODUCTS INCLUDING WITHOUT LIMITATION IMPLIED WARRANTIES OF MERCHANTABILITY, FITNESS FOR A PARTICULAR PURPOSE (AND THEIR EQUIVALENTS UNDER THE LAWS OF ANY JURISDICTION), OR INFRINGEMENT OF ANY PATENT, COPYRIGHT OR OTHER INTELLECTUAL PROPERTY RIGHT.

UNLESS EXPRESSLY APPROVED IN WRITING BY AN AUTHORIZED ST REPRESENTATIVE, ST PRODUCTS ARE NOT RECOMMENDED, AUTHORIZED OR WARRANTED FOR USE IN MILITARY, AIR CRAFT, SPACE, LIFE SAVING, OR LIFE SUSTAINING APPLICATIONS, NOR IN PRODUCTS OR SYSTEMS WHERE FAILURE OR MALFUNCTION MAY RESULT IN PERSONAL INJURY, DEATH, OR SEVERE PROPERTY OR ENVIRONMENTAL DAMAGE. ST PRODUCTS WHICH ARE NOT SPECIFIED AS "AUTOMOTIVE GRADE" MAY ONLY BE USED IN AUTOMOTIVE APPLICATIONS AT USER'S OWN RISK.

Resale of ST products with provisions different from the statements and/or technical features set forth in this document shall immediately void any warranty granted by ST for the ST product or service described herein and shall not create or extend in any manner whatsoever, any liability of ST.

ST and the ST logo are trademarks or registered trademarks of ST in various countries.

Information in this document supersedes and replaces all information previously supplied.

The ST logo is a registered trademark of STMicroelectronics. All other names are the property of their respective owners.

© 2007 STMicroelectronics - All rights reserved

STMicroelectronics group of companies

Australia - Belgium - Brazil - Canada - China - Czech Republic - Finland - France - Germany - Hong Kong - India - Israel - Italy - Japan - Malaysia - Malta - Morocco - Singapore - Spain - Sweden - Switzerland - United Kingdom - United States of America

www.st.com

