

N-channel 100 V, 0.027 Ω typ., 25 A, STripFET™ VII DeepGATE™ Power MOSFET in DPAK, TO-220FP and TO-220 packages

Datasheet - production data

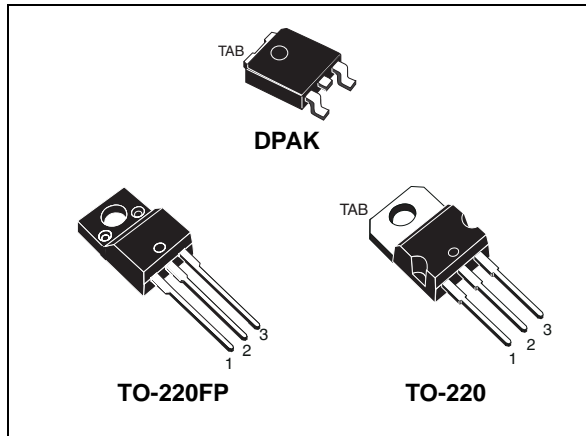
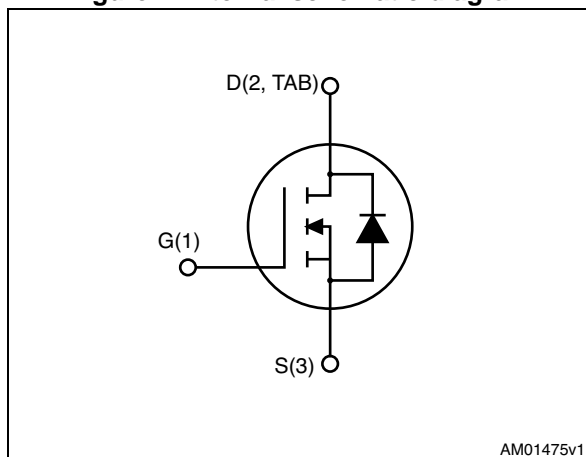


Figure 1. Internal schematic diagram



Features

| Order codes | V _{DSS} | R _{DS(on)} max. ⁽¹⁾ | I _D | P _{TOT} |
|-------------|------------------|---|----------------|------------------|
| STD25N10F7 | 100 V | 0.035 Ω | 25 A | 40 W |
| STF25N10F7 | 100 V | 0.035 Ω | 19 A | 25 W |
| STP25N10F7 | 100 V | 0.035 Ω | 25 A | 50 W |

1. @ V_{GS} = 10 V

- Ultra low on-resistance
- 100% avalanche tested

Applications

- Switching applications

Description

These devices utilize the 7th generation of design rules of ST's proprietary STripFET™ technology, with a new gate structure. The resulting Power MOSFET exhibits the lowest R_{DS(on)} in all packages.

Table 1. Device summary

| Order codes | Marking | Package | Packaging |
|-------------|---------|----------|---------------|
| STD25N10F7 | 25N10F7 | DPAK | Tape and reel |
| STF25N10F7 | 25N10F7 | TO-220FP | Tube |
| STP25N10F7 | 25N10F7 | TO-220 | Tube |

Contents

| | | |
|----------|---|-----------|
| 1 | Electrical ratings | 3 |
| 2 | Electrical characteristics | 4 |
| 2.1 | Electrical characteristics (curves) | 6 |
| 3 | Test circuits | 9 |
| 4 | Package mechanical data | 10 |
| 5 | Packaging mechanical data | 18 |
| 6 | Revision history | 20 |

1 Electrical ratings

Table 2. Absolute maximum ratings

| Symbol | Parameter | Value | | | Unit |
|-----------------|---|------------|--------|----------|------|
| | | DPAK | TO-220 | TO-220FP | |
| V_{DS} | Drain-source voltage | 100 | | | V |
| V_{GS} | Gate-source voltage | ± 20 | | | V |
| $I_D^{(1)}$ | Drain current (continuous) at $T_C = 25\text{ °C}$ | 25 | 25 | 19 | A |
| $I_D^{(1)}$ | Drain current (continuous) at $T_C = 100\text{ °C}$ | 18 | 18 | 13.5 | A |
| $I_{DM}^{(2)}$ | Drain current (pulsed) | 100 | 100 | 76 | A |
| $P_{TOT}^{(1)}$ | Total dissipation at $T_C = 25\text{ °C}$ | 40 | 50 | 25 | W |
| V_{ISO} | Insulation withstand voltage (RMS) from all three leads to external heat sink ($t = 1\text{ s}$; $T_C = 25\text{ °C}$) | - | | 2500 | V |
| T_J | Operating junction temperature | -55 to 175 | | | °C |
| T_{stg} | Storage temperature | | | | °C |

1. This value is rated according to R_{thj-c} .
2. Pulse width limited by safe operating area.

Table 3. Thermal resistance

| Symbol | Parameter | Value | | | Unit |
|----------------|-------------------------------------|-------|----------|--------|------|
| | | DPAK | TO-220FP | TO-220 | |
| $R_{thj-case}$ | Thermal resistance junction-case | 3.75 | 6 | 3 | °C/W |
| $R_{thj-amb}$ | Thermal resistance junction-ambient | 62.5 | | | °C/W |
| $R_{thj-pcb}$ | Thermal resistance junction-pcb | 50 | | | °C/W |

2 Electrical characteristics

($T_{CASE} = 25\text{ °C}$ unless otherwise specified)

Table 4. On/off states

| Symbol | Parameter | Test conditions | Min. | Typ. | Max. | Unit |
|---------------|--|---|------|-------|-----------|--------------------|
| $V_{(BR)DSS}$ | Drain-source breakdown voltage ($V_{GS} = 0$) | $I_D = 250\ \mu A$ | 100 | | - | V |
| I_{DSS} | Zero gate voltage drain current ($V_{GS} = 0$) | $V_{DS} = 100\text{ V}$ $V_{DS} = 100\text{ V}; T_C = 125\text{ °C}$ | | | 10 100 | μA μA |
| I_{GSS} | Gate body leakage current ($V_{DS} = 0$) | $V_{GS} = \pm 20\text{ V}$ | | | ± 100 | nA |
| $V_{GS(th)}$ | Gate threshold voltage | $V_{DS} = V_{GS}, I_D = 250\ \mu A$ | 2.5 | | 4.5 | V |
| $R_{DS(on)}$ | Static drain-source on- resistance | $V_{GS} = 10\text{ V}, I_D = 12.5\text{ A}$ | | 0.027 | 0.035 | Ω |

Table 5. Dynamic

| Symbol | Parameter | Test conditions | Min. | Typ. | Max. | Unit |
|-----------|------------------------------|---|------|------|------|------|
| C_{iss} | Input capacitance | $V_{DS} = 50\text{ V}, f = 1\text{ MHz},$ $V_{GS} = 0$ | - | 920 | - | pF |
| C_{oss} | Output capacitance | | - | 215 | - | pF |
| C_{rss} | Reverse transfer capacitance | | - | 19 | - | pF |
| Q_g | Total gate charge | $V_{DD} = 50\text{ V}, I_D = 25\text{ A}$ $V_{GS} = 10\text{ V}$ <i>Figure 18</i> | - | 14 | - | nC |
| Q_{gs} | Gate-source charge | | - | 7 | - | nC |
| Q_{gd} | Gate-drain charge | | - | 3 | - | nC |

Table 6. Switching times

| Symbol | Parameter | Test conditions | Min. | Typ. | Max. | Unit |
|--------------|---------------------|--|------|------|------|------|
| $t_{d(on)}$ | Turn-on delay time | $V_{DD} = 50\text{ V}$, $I_D = 12.5\text{ A}$, $R_G = 4.7\ \Omega$, $V_{GS} = 10\text{ V}$ <i>Figure 17</i> | - | 9.8 | - | ns |
| t_r | Rise time | | - | 14 | - | ns |
| $t_{d(off)}$ | Turn-off delay time | | - | 14.8 | - | ns |
| t_f | Fall time | | - | 4.6 | - | ns |

Table 7. Source-drain diode

| Symbol | Parameter | Test conditions | Min. | Typ. | Max. | Unit |
|-----------------|-------------------------------|--|------|------|------|------|
| I_{SD} | Source-drain current | | - | | 25 | A |
| $I_{SDM}^{(1)}$ | Source-drain current (pulsed) | | - | | 100 | A |
| $V_{SD}^{(2)}$ | Forward on voltage | $I_{SD} = 25\text{ A}$, $V_{GS} = 0$ | - | | 1.1 | V |
| t_{rr} | Reverse recovery time | $I_{SD} = 25\text{ A}$, $di/dt = 100\text{ A}/\mu\text{s}$, $V_{DD} = 80\text{ V}$, $T_j = 150\text{ }^\circ\text{C}$ | - | 38 | | ns |
| Q_{rr} | Reverse recovery charge | | - | 29 | | nC |
| I_{RRM} | Reverse recovery current | | - | 1.7 | | A |

1. Pulse width limited by safe operating area.
2. Pulsed: pulse duration = 300 μs , duty cycle 1.5%.

2.1 Electrical characteristics (curves)

Figure 2. Safe operating area for DPAK

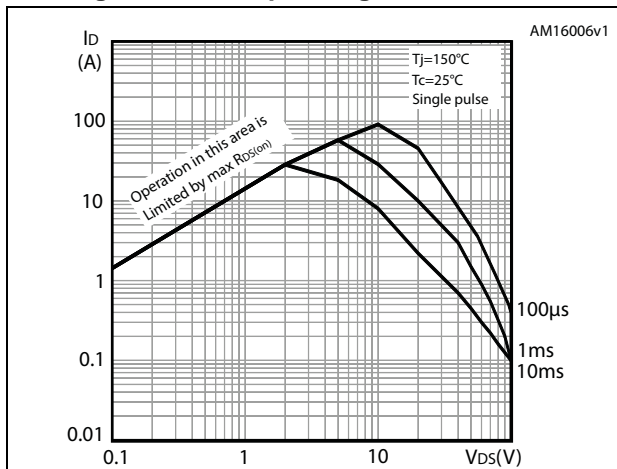


Figure 3. Thermal impedance for DPAK

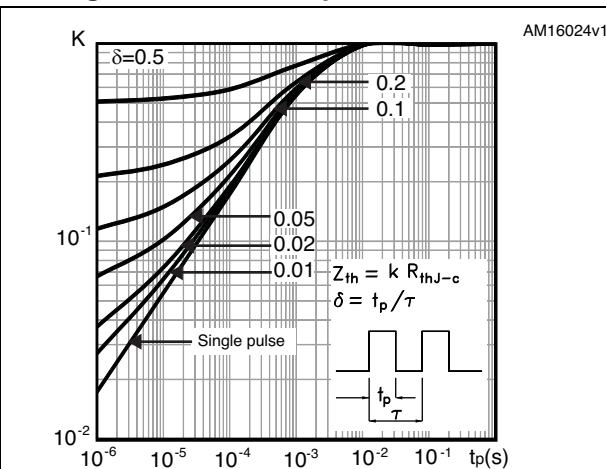


Figure 4. Safe operating area for TO-220FP

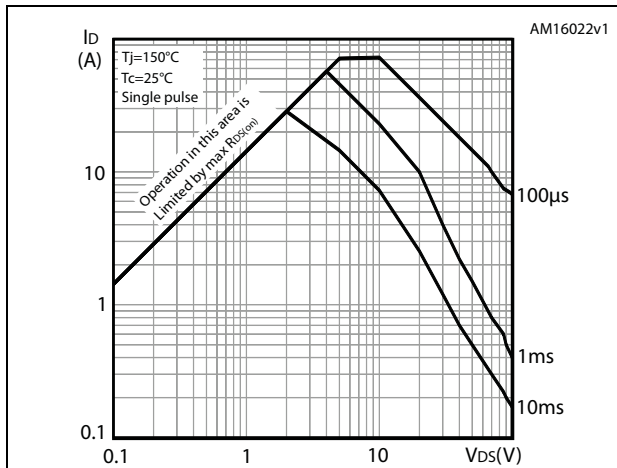


Figure 5. Thermal impedance for TO-220FP

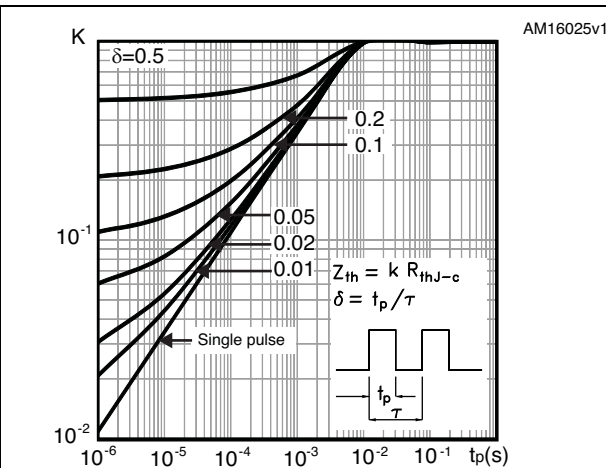


Figure 6. Safe operating area for TO-220

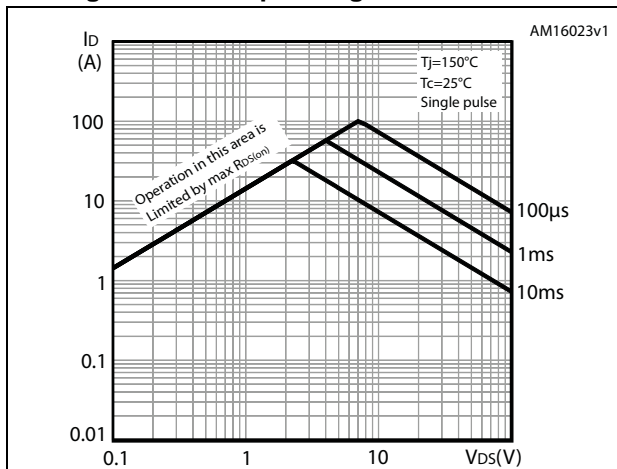


Figure 7. Thermal impedance for TO-220

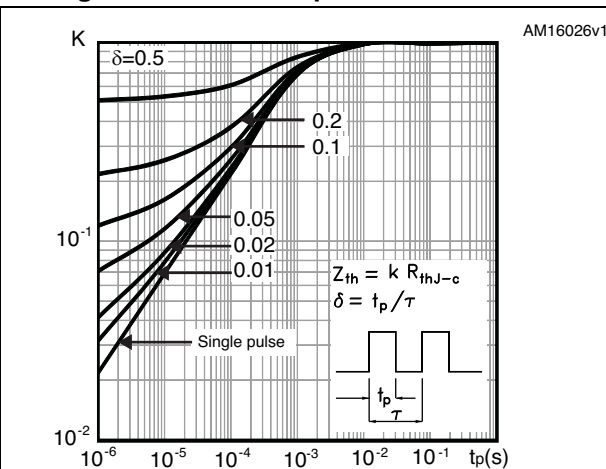


Figure 8. Output characteristics

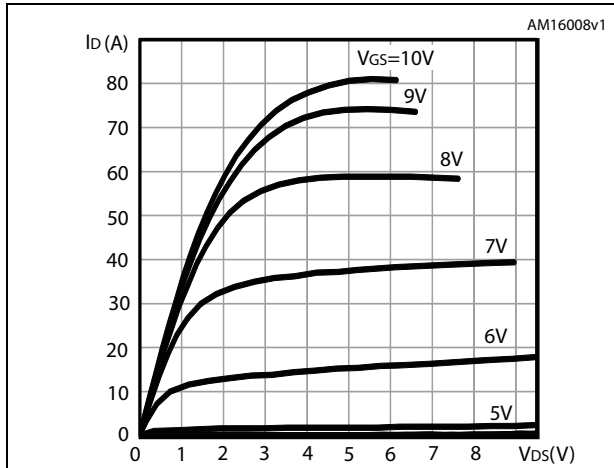


Figure 9. Transfer characteristics

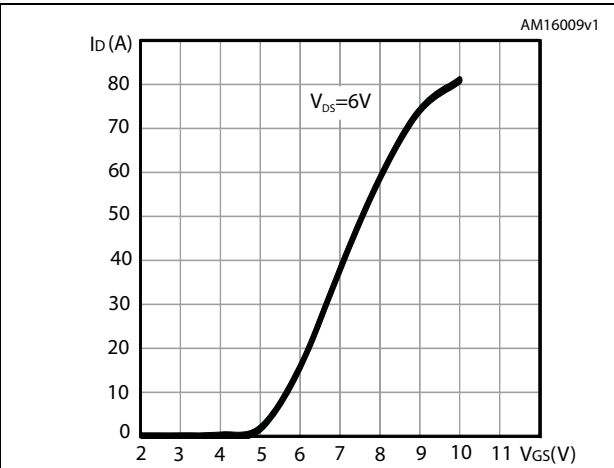


Figure 10. Gate charge vs gate-source voltage

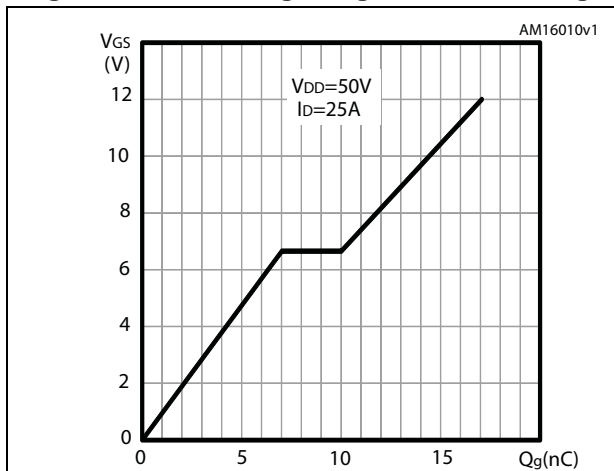


Figure 11. Static drain-source on-resistance

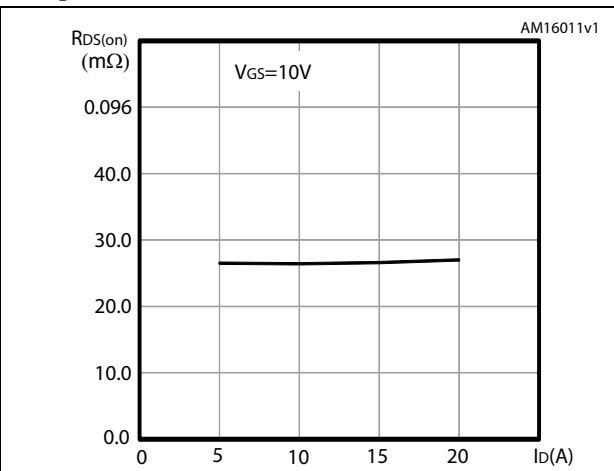


Figure 12. Capacitance variations

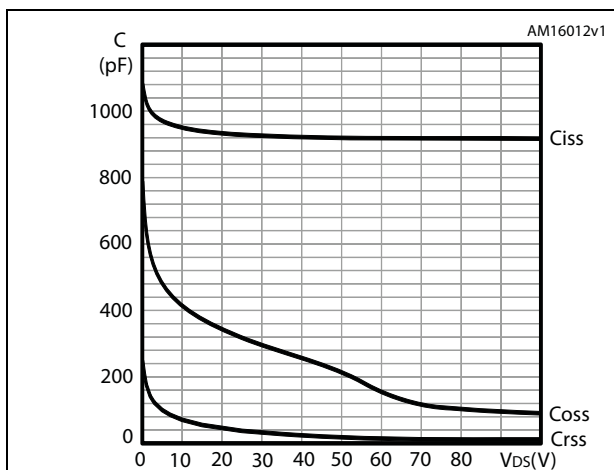


Figure 13. Normalized gate threshold voltage vs temperature

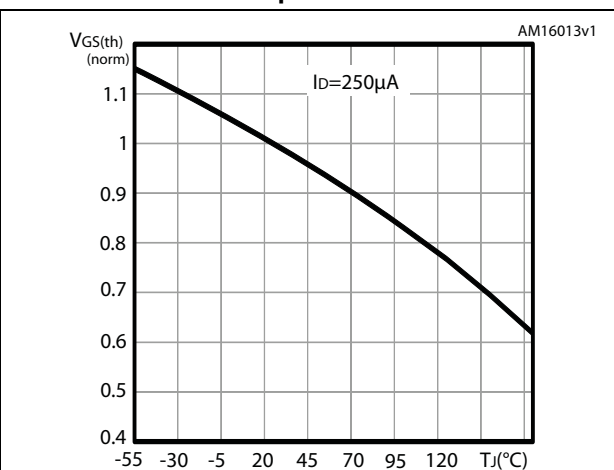


Figure 14. Normalized on-resistance vs temperature

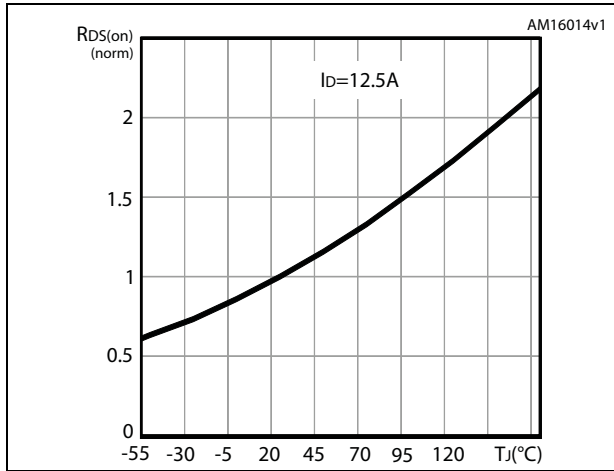


Figure 15. Normalized $B_{V_{DSS}}$ vs temperature

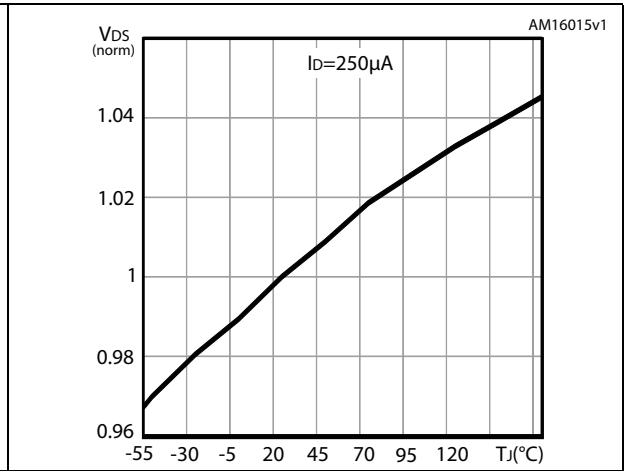
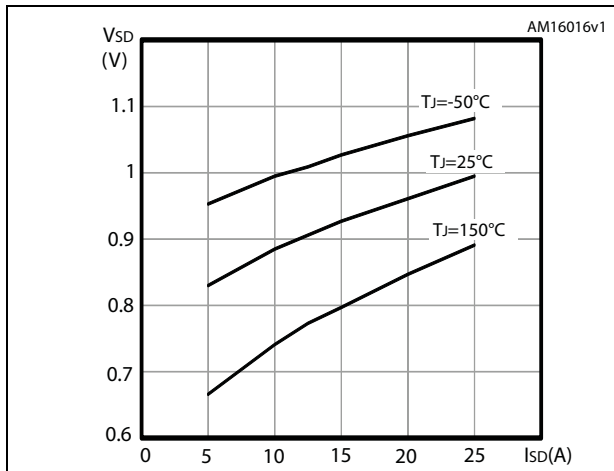


Figure 16. Source-drain diode forward characteristics



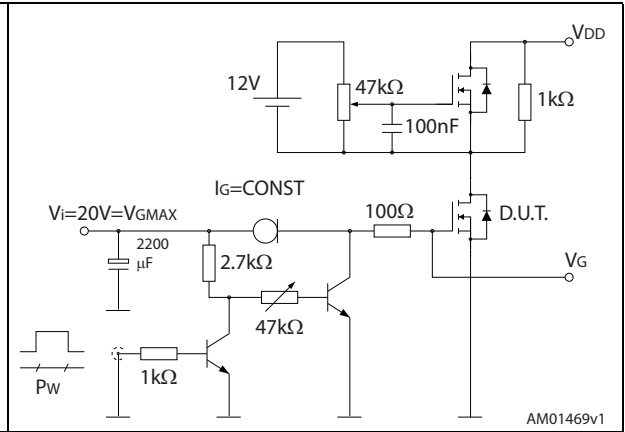
3 Test circuits

Figure 17. Switching times test circuit for resistive load



AM01468v1

Figure 18. Gate charge test circuit



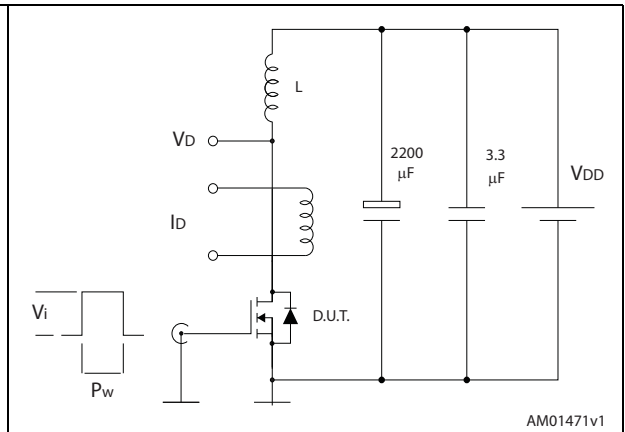
AM01469v1

Figure 19. Test circuit for inductive load switching and diode recovery times



AM01470v1

Figure 20. Unclamped inductive load test circuit



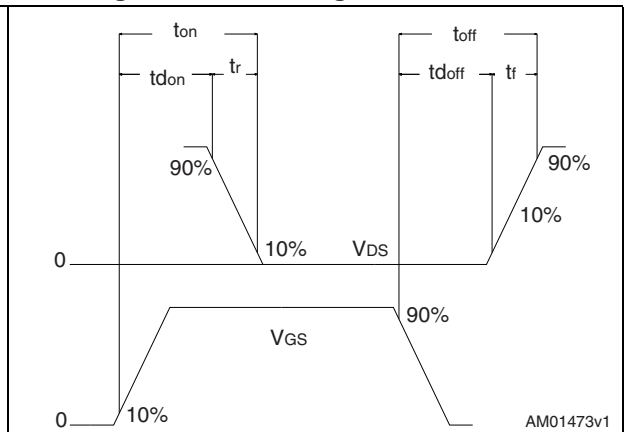
AM01471v1

Figure 21. Unclamped inductive waveform



AM01472v1

Figure 22. Switching time waveform



AM01473v1

4 Package mechanical data

In order to meet environmental requirements, ST offers these devices in different grades of ECOPACK[®] packages, depending on their level of environmental compliance. ECOPACK[®] specifications, grade definitions and product status are available at: www.st.com. ECOPACK[®] is an ST trademark.

Table 8. DPAK (TO-252) mechanical data

| Dim. | mm | | |
|------|------|------|-------|
| | Min. | Typ. | Max. |
| A | 2.20 | | 2.40 |
| A1 | 0.90 | | 1.10 |
| A2 | 0.03 | | 0.23 |
| b | 0.64 | | 0.90 |
| b4 | 5.20 | | 5.40 |
| c | 0.45 | | 0.60 |
| c2 | 0.48 | | 0.60 |
| D | 6.00 | | 6.20 |
| D1 | | 5.10 | |
| E | 6.40 | | 6.60 |
| E1 | | 4.70 | |
| e | | 2.28 | |
| e1 | 4.40 | | 4.60 |
| H | 9.35 | | 10.10 |
| L | 1.00 | | 1.50 |
| (L1) | | 2.80 | |
| L2 | | 0.80 | |
| L4 | 0.60 | | 1.00 |
| R | | 0.20 | |
| V2 | 0° | | 8° |

Figure 23. DPAK (TO-252) drawings

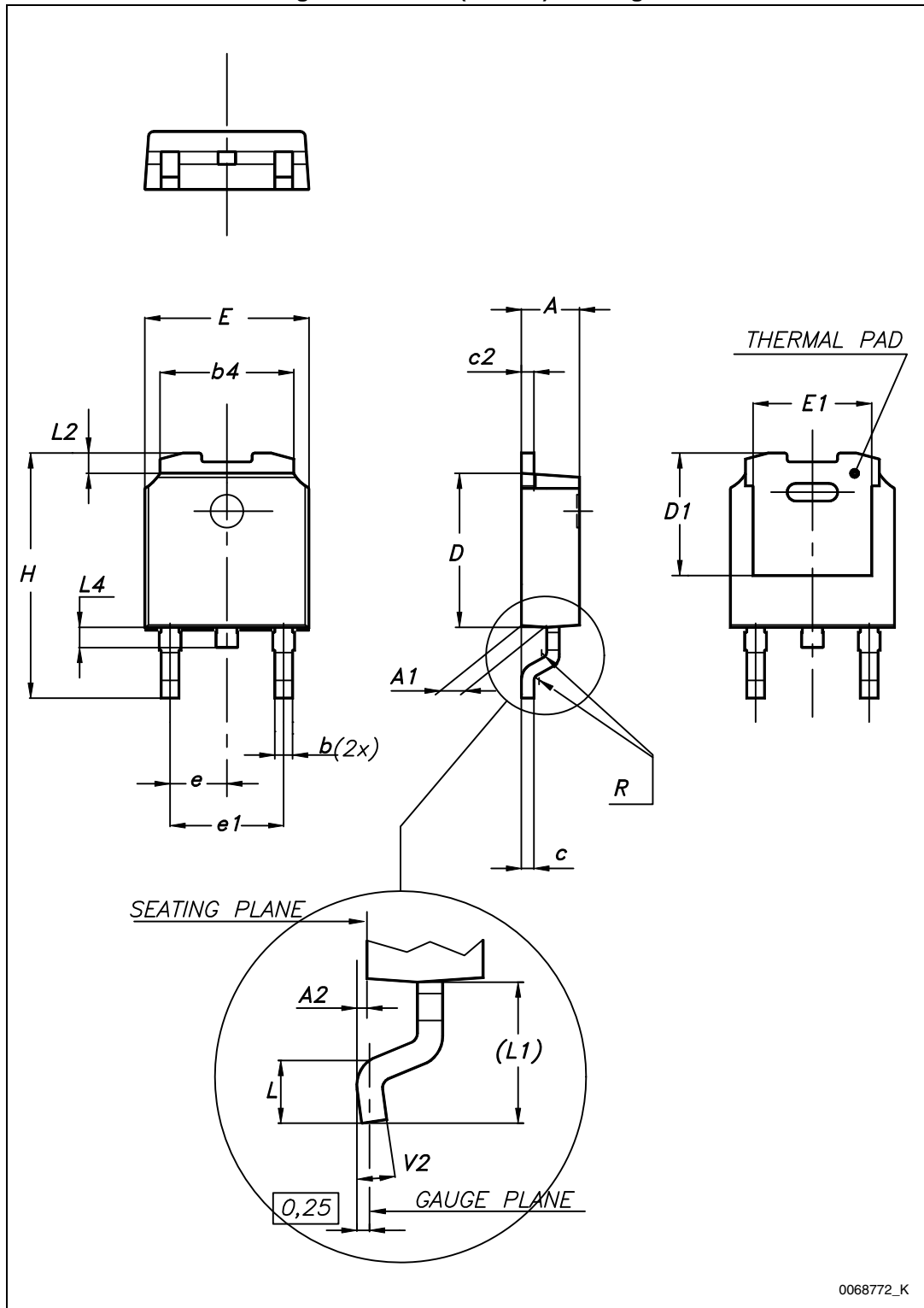
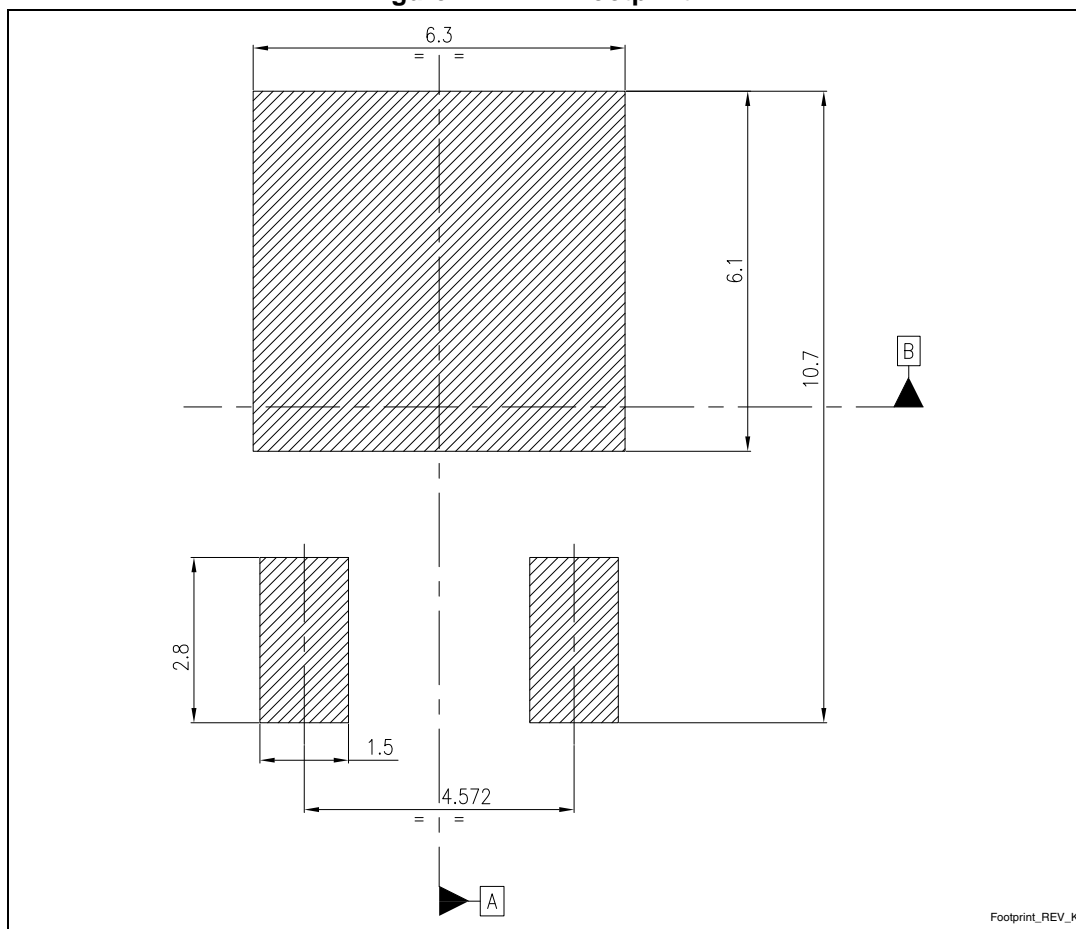


Figure 24. DPAK footprint (a)

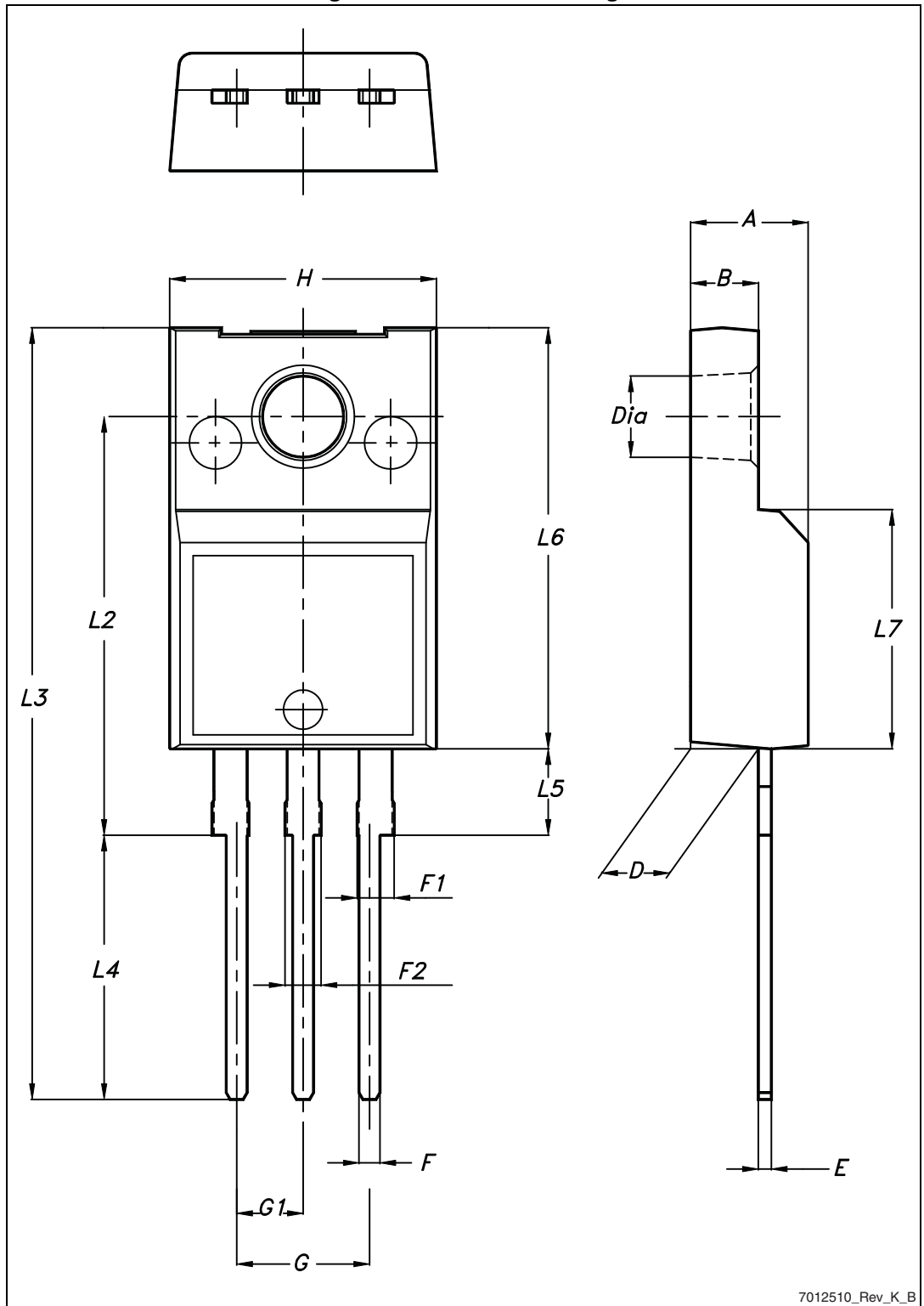


a. All dimensions are in millimeters

Table 9. TO-220FP mechanical data

| Dim. | mm | | |
|------|------|------|------|
| | Min. | Typ. | Max. |
| A | 4.4 | | 4.6 |
| B | 2.5 | | 2.7 |
| D | 2.5 | | 2.75 |
| E | 0.45 | | 0.7 |
| F | 0.75 | | 1 |
| F1 | 1.15 | | 1.70 |
| F2 | 1.15 | | 1.70 |
| G | 4.95 | | 5.2 |
| G1 | 2.4 | | 2.7 |
| H | 10 | | 10.4 |
| L2 | | 16 | |
| L3 | 28.6 | | 30.6 |
| L4 | 9.8 | | 10.6 |
| L5 | 2.9 | | 3.6 |
| L6 | 15.9 | | 16.4 |
| L7 | 9 | | 9.3 |
| Dia | 3 | | 3.2 |

Figure 25. TO-220FP drawing

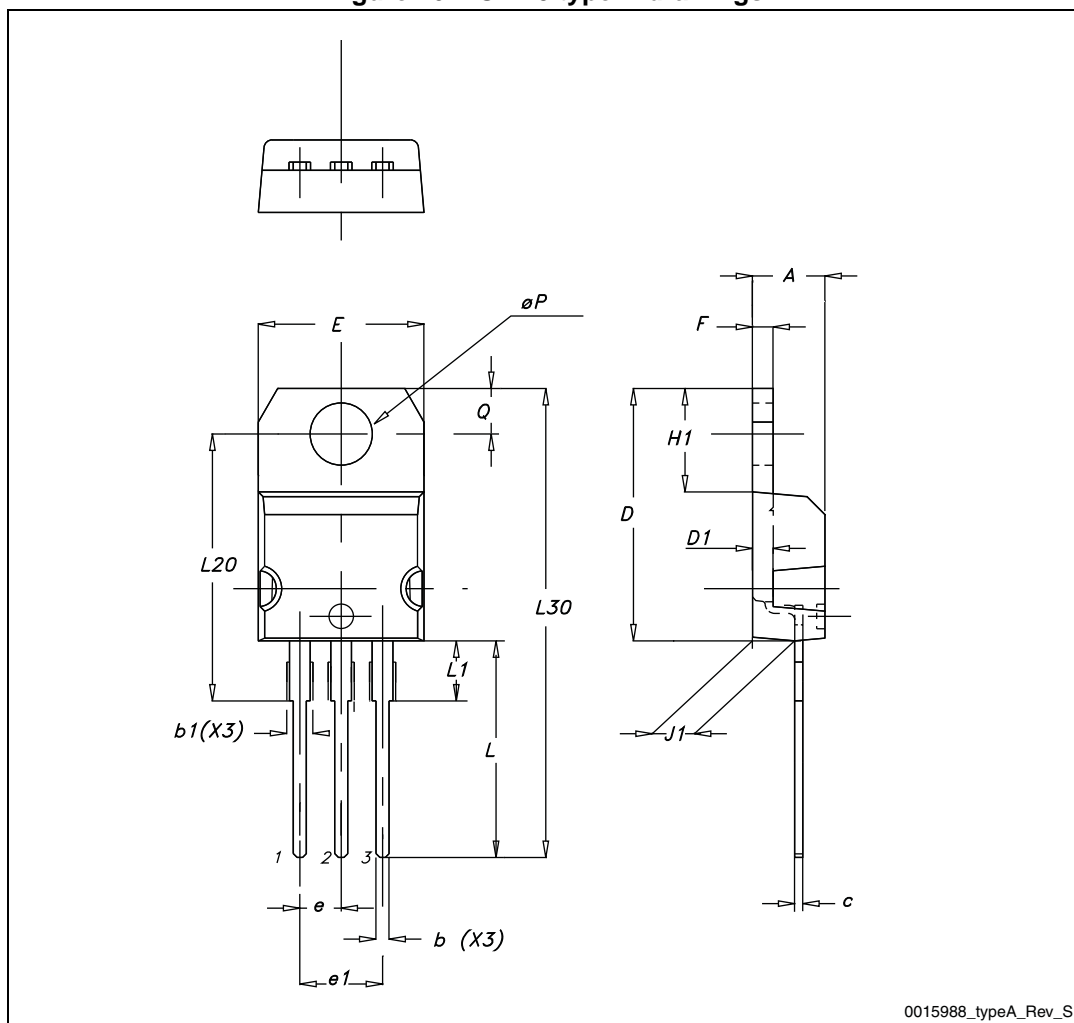


7012510_Rev_K_B

Table 10. TO-220 type A mechanical data

| Dim. | mm | | |
|------|-------|-------|-------|
| | Min. | Typ. | Max. |
| A | 4.40 | | 4.60 |
| b | 0.61 | | 0.88 |
| b1 | 1.14 | | 1.70 |
| c | 0.48 | | 0.70 |
| D | 15.25 | | 15.75 |
| D1 | | 1.27 | |
| E | 10 | | 10.40 |
| e | 2.40 | | 2.70 |
| e1 | 4.95 | | 5.15 |
| F | 1.23 | | 1.32 |
| H1 | 6.20 | | 6.60 |
| J1 | 2.40 | | 2.72 |
| L | 13 | | 14 |
| L1 | 3.50 | | 3.93 |
| L20 | | 16.40 | |
| L30 | | 28.90 | |
| ØP | 3.75 | | 3.85 |
| Q | 2.65 | | 2.95 |

Figure 26. TO-220 type A drawings



0015988_typeA_Rev_S

5 Packaging mechanical data

Table 11. DPAK (TO-252) tape and reel mechanical data

| Tape | | | Reel | | |
|------|------|------|-----------|------|------|
| Dim. | mm | | Dim. | mm | |
| | Min. | Max. | | Min. | Max. |
| A0 | 6.8 | 7 | A | | 330 |
| B0 | 10.4 | 10.6 | B | 1.5 | |
| B1 | | 12.1 | C | 12.8 | 13.2 |
| D | 1.5 | 1.6 | D | 20.2 | |
| D1 | 1.5 | | G | 16.4 | 18.4 |
| E | 1.65 | 1.85 | N | 50 | |
| F | 7.4 | 7.6 | T | | 22.4 |
| K0 | 2.55 | 2.75 | | | |
| P0 | 3.9 | 4.1 | Base qty. | | 2500 |
| P1 | 7.9 | 8.1 | Bulk qty. | | 2500 |
| P2 | 1.9 | 2.1 | | | |
| R | 40 | | | | |
| T | 0.25 | 0.35 | | | |
| W | 15.7 | 16.3 | | | |

Figure 27. Tape for DPAK (TO-252)

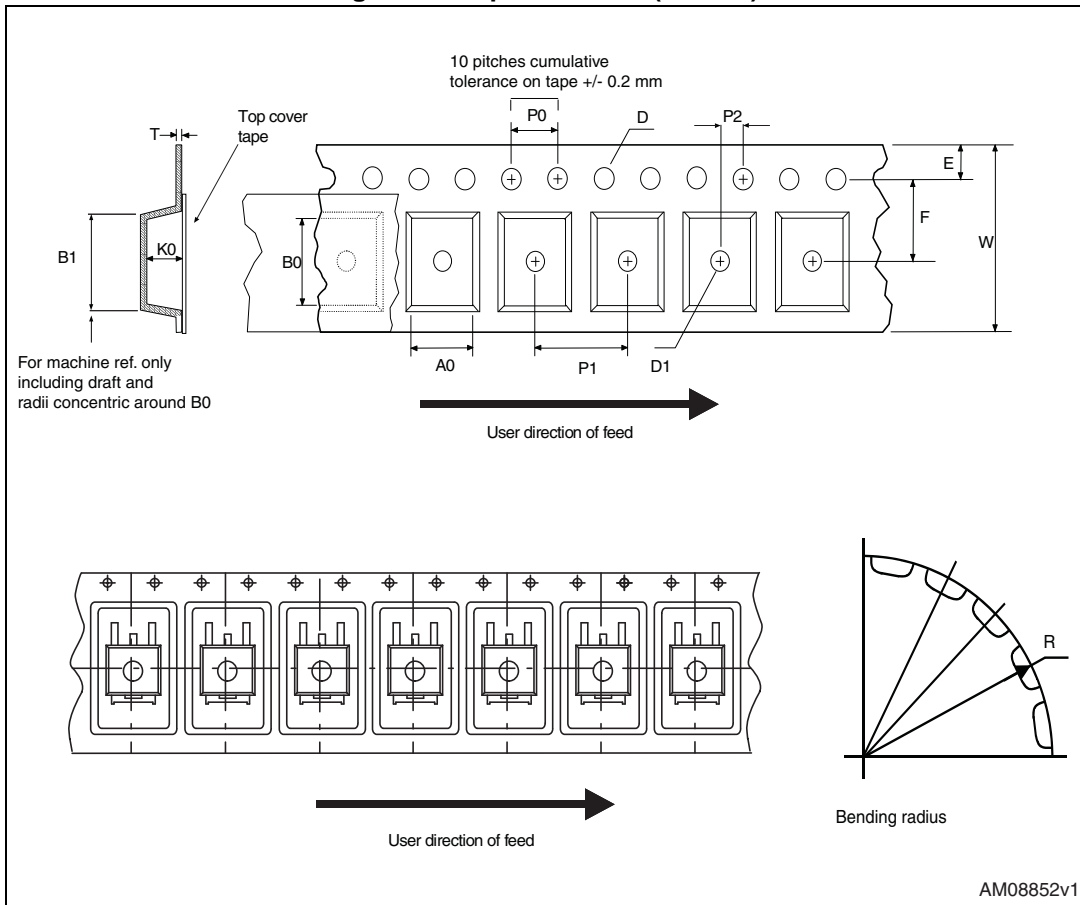
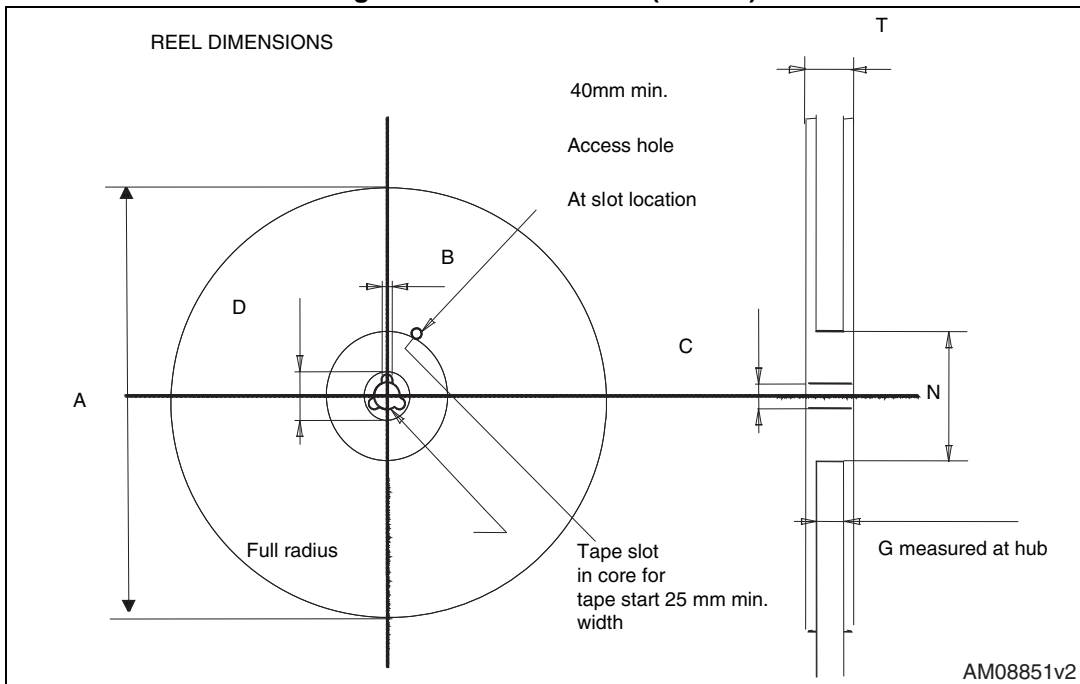


Figure 28. Reel for DPAK (TO-252)



6 Revision history

Table 12. Document revision history

| Date | Revision | Changes |
|-------------|----------|----------------|
| 17-Sep-2013 | 1 | First release. |

Please Read Carefully:

Information in this document is provided solely in connection with ST products. STMicroelectronics NV and its subsidiaries ("ST") reserve the right to make changes, corrections, modifications or improvements, to this document, and the products and services described herein at any time, without notice.

All ST products are sold pursuant to ST's terms and conditions of sale.

Purchasers are solely responsible for the choice, selection and use of the ST products and services described herein, and ST assumes no liability whatsoever relating to the choice, selection or use of the ST products and services described herein.

No license, express or implied, by estoppel or otherwise, to any intellectual property rights is granted under this document. If any part of this document refers to any third party products or services it shall not be deemed a license grant by ST for the use of such third party products or services, or any intellectual property contained therein or considered as a warranty covering the use in any manner whatsoever of such third party products or services or any intellectual property contained therein.

UNLESS OTHERWISE SET FORTH IN ST'S TERMS AND CONDITIONS OF SALE ST DISCLAIMS ANY EXPRESS OR IMPLIED WARRANTY WITH RESPECT TO THE USE AND/OR SALE OF ST PRODUCTS INCLUDING WITHOUT LIMITATION IMPLIED WARRANTIES OF MERCHANTABILITY, FITNESS FOR A PARTICULAR PURPOSE (AND THEIR EQUIVALENTS UNDER THE LAWS OF ANY JURISDICTION), OR INFRINGEMENT OF ANY PATENT, COPYRIGHT OR OTHER INTELLECTUAL PROPERTY RIGHT.

ST PRODUCTS ARE NOT AUTHORIZED FOR USE IN WEAPONS. NOR ARE ST PRODUCTS DESIGNED OR AUTHORIZED FOR USE IN: (A) SAFETY CRITICAL APPLICATIONS SUCH AS LIFE SUPPORTING, ACTIVE IMPLANTED DEVICES OR SYSTEMS WITH PRODUCT FUNCTIONAL SAFETY REQUIREMENTS; (B) AERONAUTIC APPLICATIONS; (C) AUTOMOTIVE APPLICATIONS OR ENVIRONMENTS, AND/OR (D) AEROSPACE APPLICATIONS OR ENVIRONMENTS. WHERE ST PRODUCTS ARE NOT DESIGNED FOR SUCH USE, THE PURCHASER SHALL USE PRODUCTS AT PURCHASER'S SOLE RISK, EVEN IF ST HAS BEEN INFORMED IN WRITING OF SUCH USAGE, UNLESS A PRODUCT IS EXPRESSLY DESIGNATED BY ST AS BEING INTENDED FOR "AUTOMOTIVE, AUTOMOTIVE SAFETY OR MEDICAL" INDUSTRY DOMAINS ACCORDING TO ST PRODUCT DESIGN SPECIFICATIONS. PRODUCTS FORMALLY ESCC, QML OR JAN QUALIFIED ARE DEEMED SUITABLE FOR USE IN AEROSPACE BY THE CORRESPONDING GOVERNMENTAL AGENCY.

Resale of ST products with provisions different from the statements and/or technical features set forth in this document shall immediately void any warranty granted by ST for the ST product or service described herein and shall not create or extend in any manner whatsoever, any liability of ST.

ST and the ST logo are trademarks or registered trademarks of ST in various countries.

Information in this document supersedes and replaces all information previously supplied.

The ST logo is a registered trademark of STMicroelectronics. All other names are the property of their respective owners.

© 2013 STMicroelectronics - All rights reserved

STMicroelectronics group of companies

Australia - Belgium - Brazil - Canada - China - Czech Republic - Finland - France - Germany - Hong Kong - India - Israel - Italy - Japan - Malaysia - Malta - Morocco - Philippines - Singapore - Spain - Sweden - Switzerland - United Kingdom - United States of America

www.st.com

