



# STB25NM60Nx - STF25NM60N STP25NM60N - STW25NM60N

www.datasheet4u.com

N-channel 600 V, 0.130  $\Omega$ , 21 A, MDmesh™ II Power MOSFET  
TO-220, TO-220FP, I<sup>2</sup>PAK, D<sup>2</sup>PAK, TO-247

## Features

Type	V <sub>DSS</sub> (@T <sub>jmax</sub> )	R <sub>DS(on)</sub> max	I <sub>D</sub>
STB25NM60N	650 V	< 0.160 $\Omega$	21 A
STB25NM60N-1	650 V	< 0.160 $\Omega$	21 A
STF25NM60N	650 V	< 0.160 $\Omega$	21 A <sup>(1)</sup>
STP25NM60N	650 V	< 0.160 $\Omega$	21 A
STW25NM60N	650 V	< 0.160 $\Omega$	21 A

1. Limited only by maximum temperature allowed

- 100% avalanche tested
- Low input capacitance and gate charge
- Low gate input resistance

## Application

- Switching applications

## Description

This series of devices is realized with the second generation of MDmesh™ technology. This revolutionary MOSFET associates a new vertical structure to the company's strip layout to yield one of the world's lowest on-resistance and gate charge. It is therefore suitable for the most demanding high efficiency converters

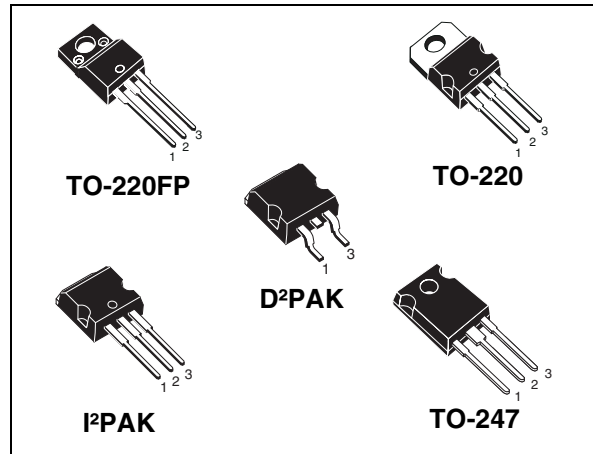


Figure 1. Internal schematic diagram

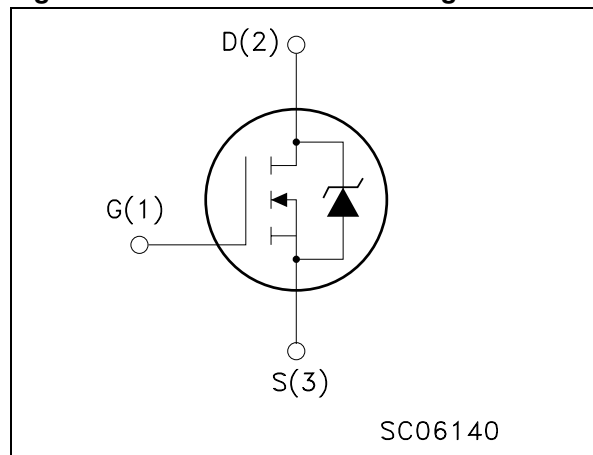


Table 1. Device summary

Order codes	Marking	Package	Packaging
STB25NM60N	B25NM60N	D <sup>2</sup> PAK	Tape and reel
STB25NM60N-1	B25NM60N	I <sup>2</sup> PAK	Tube
STF25NM60N	F25NM60N	TO-220FP	Tube
STP25NM60N	P25NM60N	TO-220	Tube
STW25NM60N	W25NM60N	TO-247	Tube

# Contents

www.datasheet4u.com

<b>1</b>	<b>Electrical ratings</b> .....	<b>3</b>
<b>2</b>	<b>Electrical characteristics</b> .....	<b>4</b>
2.1	Electrical characteristics (curves) .....	6
<b>3</b>	<b>Test circuit</b> .....	<b>9</b>
<b>4</b>	<b>Package mechanical data</b> .....	<b>10</b>
<b>5</b>	<b>Packaging mechanical data</b> .....	<b>16</b>
<b>6</b>	<b>Revision history</b> .....	<b>17</b>

# 1 Electrical ratings

www.datasheet4u.com

**Table 2. Absolute maximum ratings**

Symbol	Parameter	Value		Unit
		TO-220 - I <sup>2</sup> PAK D <sup>2</sup> PAK - TO-247	TO-220FP	
V <sub>DS</sub>	Drain-source voltage (V <sub>GS</sub> = 0)	600		V
V <sub>GS</sub>	Gate- source voltage	±25		V
I <sub>D</sub>	Drain current (continuous) at T <sub>C</sub> = 25 °C	21	21 <sup>(1)</sup>	A
I <sub>D</sub>	Drain current (continuous) at T <sub>C</sub> = 100 °C	13	13 <sup>(1)</sup>	A
I <sub>DM</sub> <sup>(2)</sup>	Drain current (pulsed)	84	84 <sup>(1)</sup>	A
P <sub>TOT</sub>	Total dissipation at T <sub>C</sub> = 25 °C	160	40	W
V <sub>ISO</sub>	Insulation withstand voltage (RMS) from all three leads to external heat sink (t=1 s; T <sub>C</sub> =25 °C)	--	2500	V
dv/dt <sup>(3)</sup>	Peak diode recovery voltage slope	15		V/ns
T <sub>stg</sub>	Storage temperature	-55 to 150		°C
T <sub>j</sub>	Max. operating junction temperature	150		°C

- Limited only by maximum temperature allowed
- Pulse width limited by safe operating area
- I<sub>SD</sub> ≤ 21 A, di/dt ≤ 400 A/μs, V<sub>DD</sub> = 80% V<sub>(BR)DSS</sub>

**Table 3. Thermal data**

Symbol	Parameter	Value					Unit
		TO-220	I <sup>2</sup> PAK	D <sup>2</sup> PAK	TO-247	TO-220FP	
R <sub>thj-case</sub>	Thermal resistance junction-case max	0.78				3.1	°C/W
R <sub>thj-pcb</sub>	Thermal resistance junction-pcb max	--	--	30	--	--	
R <sub>thj-amb</sub>	Thermal resistance junction-ambient max	62.5	--	--	50	62.5	°C/W
T <sub>l</sub>	Maximum lead temperature for soldering purpose	300					°C

**Table 4. Avalanche characteristics**

Symbol	Parameter	Value	Unit
I <sub>AR</sub>	Avalanche current, repetitive or not-repetitive (pulse width limited by T <sub>j</sub> Max)	10	A
E <sub>AS</sub>	Single pulse avalanche energy (starting T <sub>J</sub> = 25 °C, I <sub>D</sub> =I <sub>AR</sub> , V <sub>DD</sub> = 50 V)	850	mJ

## 2 Electrical characteristics

www.datasheet4u.com

( $T_{CASE} = 25\text{ °C}$  unless otherwise specified)

**Table 5. On/off states**

Symbol	Parameter	Test conditions	Min.	Typ.	Max.	Unit
$V_{(BR)DSS}$	Drain-source breakdown voltage	$I_D = 1\text{ mA}$ , $V_{GS} = 0$	600			V
$dv/dt^{(1)}$	Drain source voltage slope	$V_{DD} = 480\text{ V}$ , $I_D = 21\text{ A}$ , $V_{GS} = 10\text{ V}$		48		V/ns
$I_{DSS}$	Zero gate voltage drain current ( $V_{GS} = 0$ )	$V_{DS} = \text{Max rating}$ $V_{DS} = \text{Max rating}$ , @125 °C			1 100	$\mu\text{A}$ $\mu\text{A}$
$I_{GSS}$	Gate-body leakage current ( $V_{DS} = 0$ )	$V_{GS} = \pm 20\text{ V}$			100	nA
$V_{GS(th)}$	Gate threshold voltage	$V_{DS} = V_{GS}$ , $I_D = 250\text{ }\mu\text{A}$	2	3	4	V
$R_{DS(on)}$	Static drain-source on resistance	$V_{GS} = 10\text{ V}$ , $I_D = 10.5\text{ A}$		0.130	0.160	$\Omega$

1. Characteristic value at turn off on inductive load

**Table 6. Dynamic**

Symbol	Parameter	Test conditions	Min.	Typ.	Max.	Unit
$g_{fs}^{(1)}$	Forward transconductance	$V_{DS}=15\text{ V}$ , $I_D=11\text{ A}$		17		S
$C_{iss}$ $C_{oss}$ $C_{rss}$	Input capacitance Output capacitance Reverse transfer capacitance	$V_{DS} = 50\text{ V}$ , $f = 1\text{ MHz}$ , $V_{GS} = 0$		2400 200 25		pF pF pF
$C_{oss\text{ eq.}}^{(2)}$	Equivalent output capacitance	$V_{GS} = 0$ , $V_{DS} = 0\text{ to }480\text{ V}$		310		pF
$Q_g$ $Q_{gs}$ $Q_{gd}$	Total gate charge Gate-source charge Gate-drain charge	$V_{DD} = 480\text{ V}$ , $I_D = 21\text{ A}$ , $V_{GS} = 10\text{ V}$ , (see Figure 19)		84 14 44		nC nC nC
$R_g$	Gate input resistance	$f=1\text{ MHz}$ Gate DC Bias=0 Test signal level=20 mV open drain		1.6		$\Omega$

1. Pulsed: Pulse duration = 300  $\mu\text{s}$ , duty cycle 1.5%

2.  $C_{oss\text{ eq.}}$  is defined as a constant equivalent capacitance giving the same charging time as  $C_{oss}$  when  $V_{DS}$  increases from 0 to 80%  $V_{DS}$

Table 7. Switching times

Symbol	Parameter	Test conditions	Min.	Typ.	Max.	Unit
$t_{d(on)}$	Turn-on delay time	$V_{DD} = 300\text{ V}$ , $I_D = 10\text{ A}$ $R_G = 4.7\ \Omega$ , $V_{GS} = 10\text{ V}$ (see Figure 18)		24.5		ns
$t_r$	Rise time			18		ns
$t_{d(off)}$	Turn-off delay time				94	ns
$t_f$	Fall time				24	ns

www.datasheet4u.com

Table 8. Source drain diode

Symbol	Parameter	Test conditions	Min	Typ.	Max	Unit
$I_{SD}$	Source-drain current				21	A
$I_{SDM}^{(1)}$	Source-drain current (pulsed)				84	A
$V_{SD}^{(2)}$	Forward on voltage	$I_{SD} = 21\text{ A}$ , $V_{GS} = 0$			1.3	V
$t_{rr}$	Reverse recovery time	$I_{SD} = 21\text{ A}$ , $di/dt = 100\text{ A}/\mu\text{s}$		427		ns
$Q_{rr}$	Reverse recovery charge	$V_{DD} = 100\text{ V}$		7.2		$\mu\text{C}$
$I_{RRM}$	Reverse recovery current	(see Figure 23)		33.6		A
$t_{rr}$	Reverse recovery time	$I_{SD} = 21\text{ A}$ , $di/dt = 100\text{ A}/\mu\text{s}$		526		ns
$Q_{rr}$	Reverse recovery charge	$V_{DD} = 100\text{ V}$ , $T_j = 150\text{ }^\circ\text{C}$		9.1		$\mu\text{C}$
$I_{RRM}$	Reverse recovery current	(see Figure 23)		34.5		A

1. Pulse width limited by safe operating area

2. Pulsed: Pulse duration = 300  $\mu\text{s}$ , duty cycle 1.5%

## 2.1 Electrical characteristics (curves)

Figure 2. Safe operating area for TO-220 / D<sup>2</sup>PAK / I<sup>2</sup>PAK

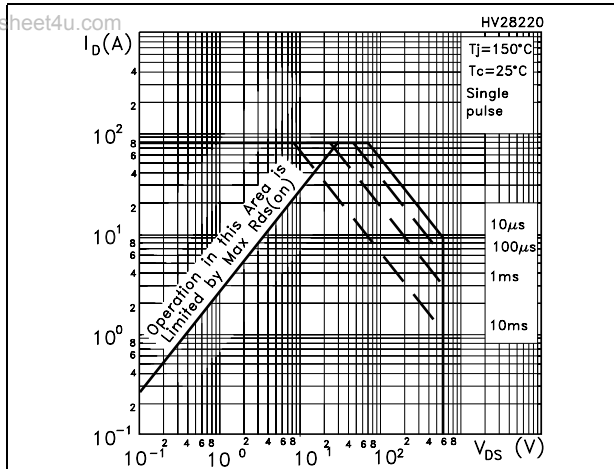


Figure 3. Thermal impedance for TO-220 / D<sup>2</sup>PAK / I<sup>2</sup>PAK

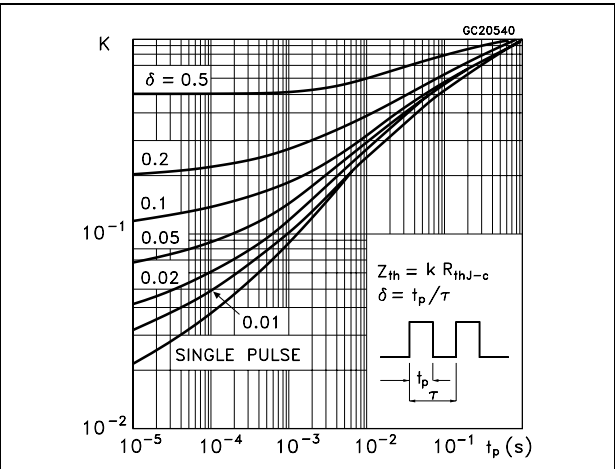


Figure 4. Safe operating area for TO-220FP

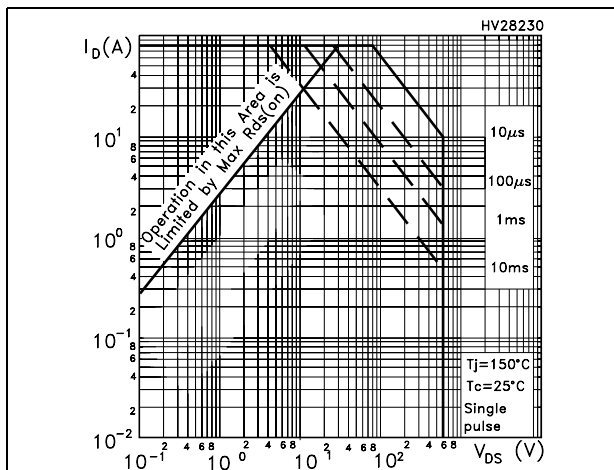


Figure 5. Thermal impedance for TO-220FP

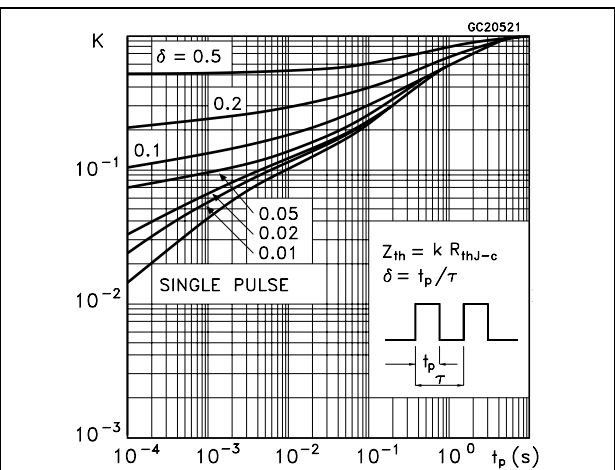


Figure 6. Safe operating area for TO-247

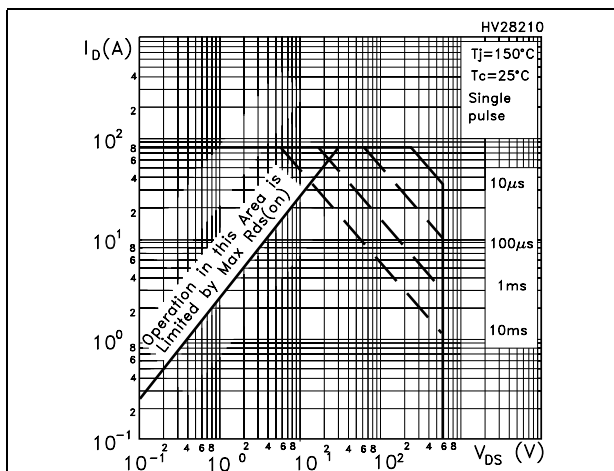


Figure 7. Thermal impedance for TO-247

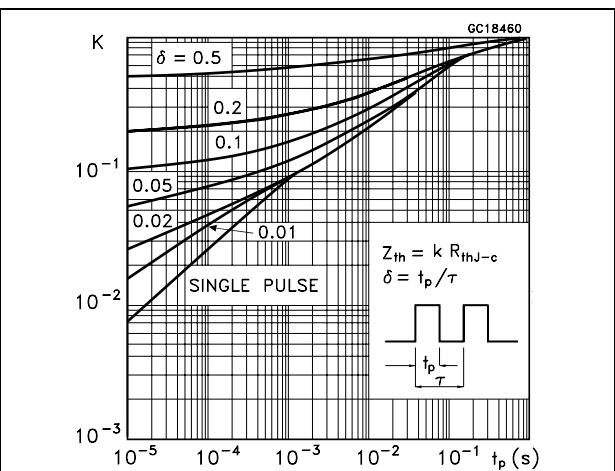


Figure 8. Output characteristics

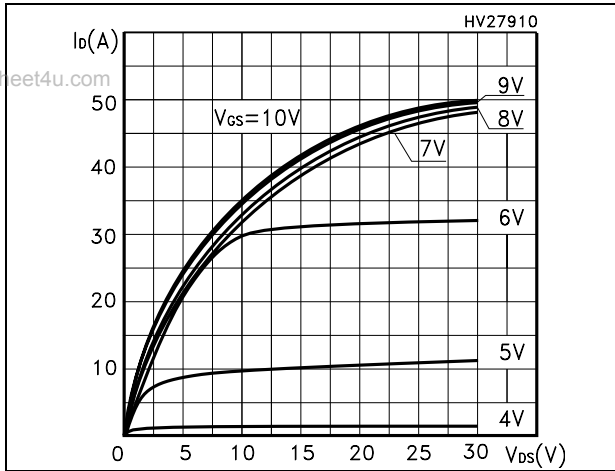


Figure 9. Transfer characteristics

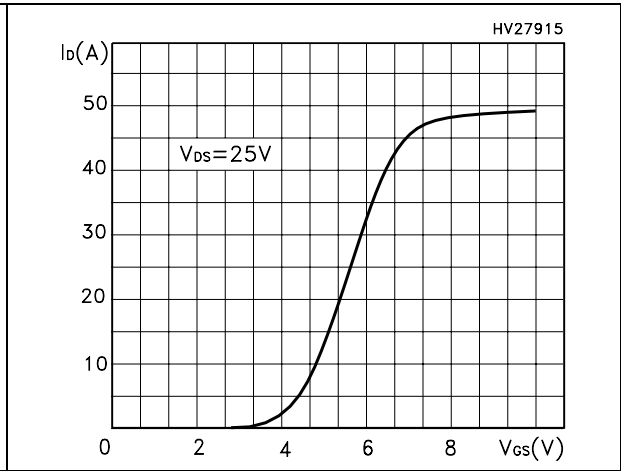


Figure 10. Transconductance

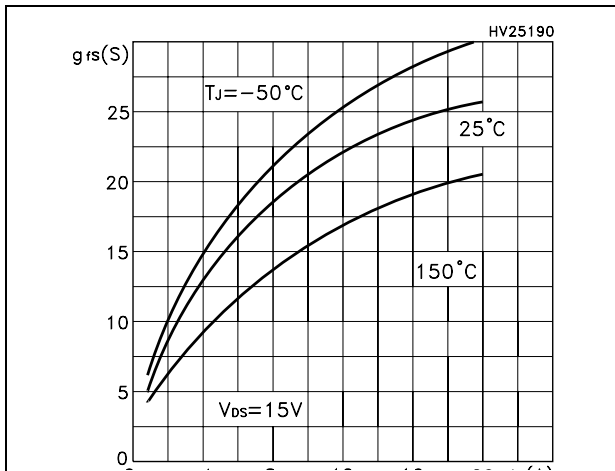


Figure 11. Static drain-source on resistance

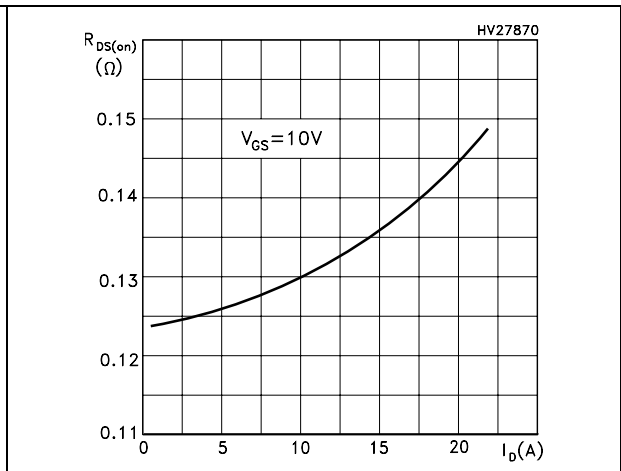


Figure 12. Gate charge vs gate-source voltage

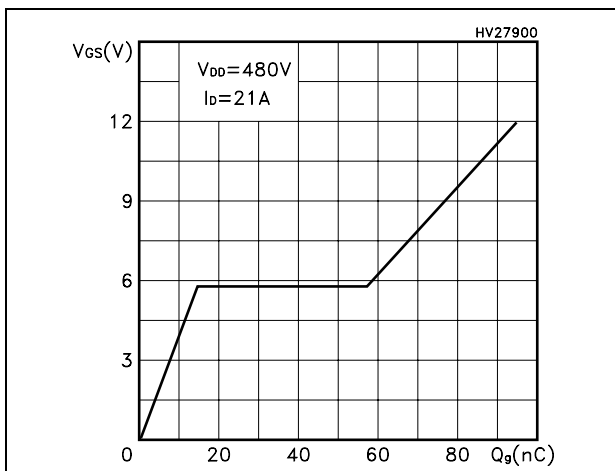


Figure 13. Capacitance variations

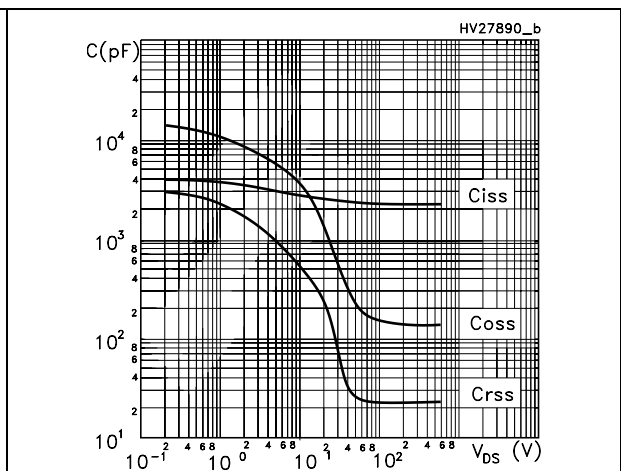


Figure 14. Normalized gate threshold voltage vs temperature

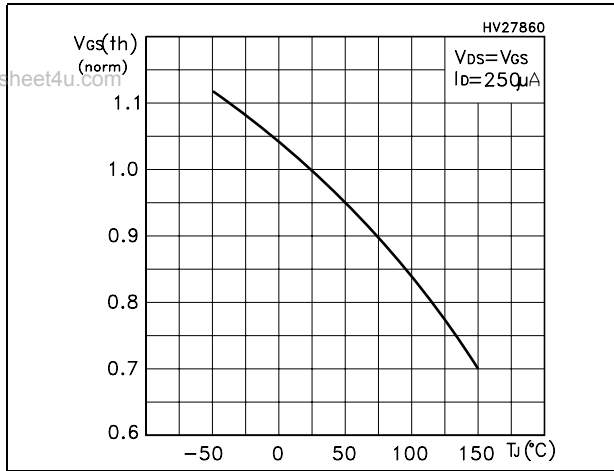


Figure 15. Normalized on resistance vs temperature

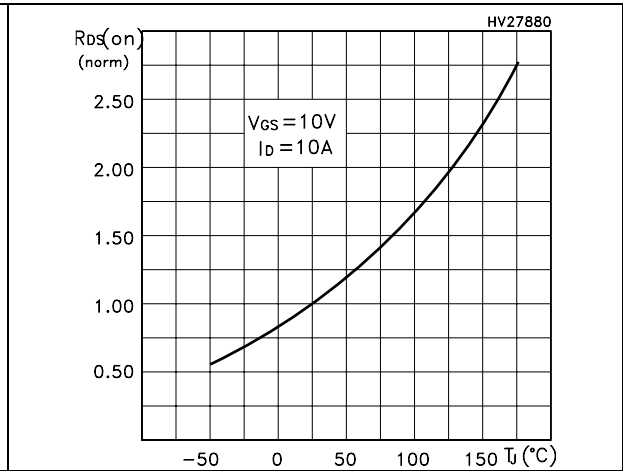


Figure 16. Source-drain diode forward characteristics

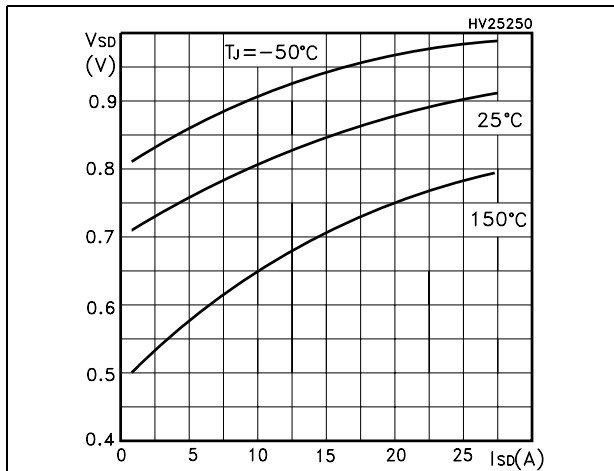
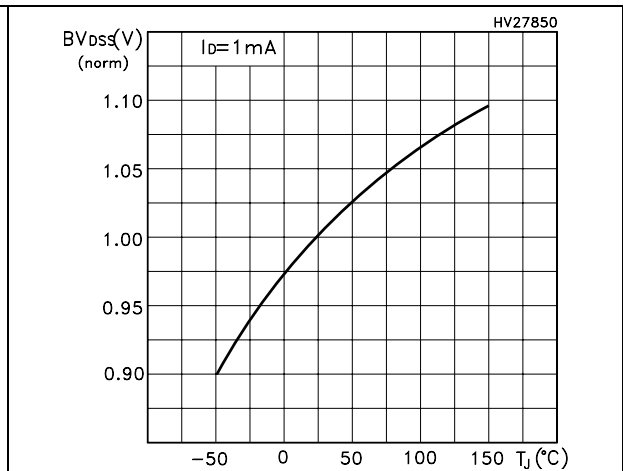


Figure 17. Normalized  $B_{V_{DSS}}$  vs temperature

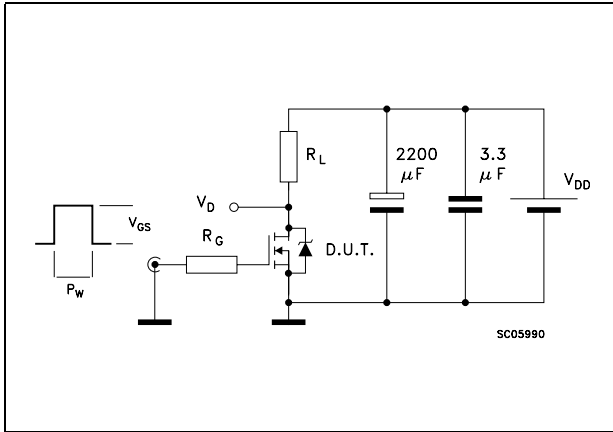




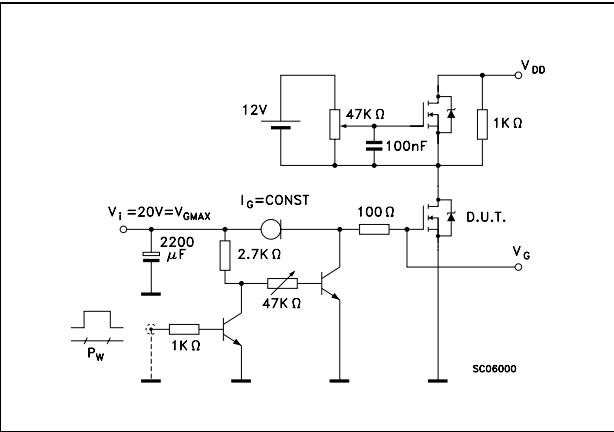
### 3 Test circuit

www.datasheet4u.com

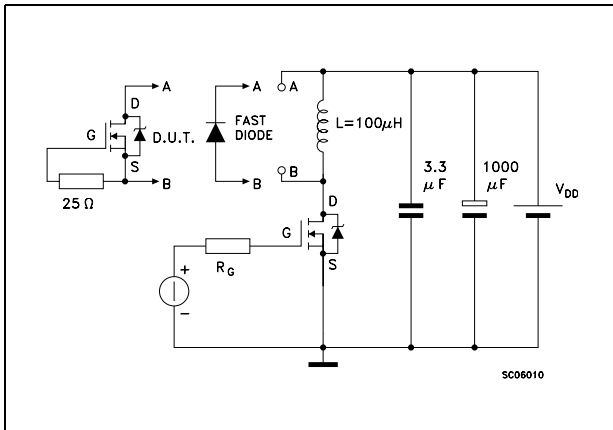
**Figure 18. Switching times test circuit for resistive load**



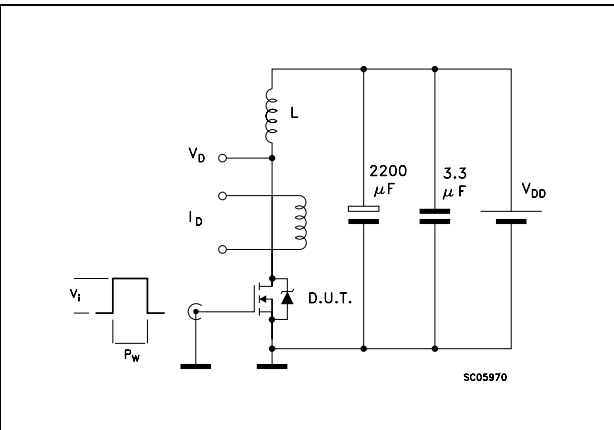
**Figure 19. Gate charge test circuit**



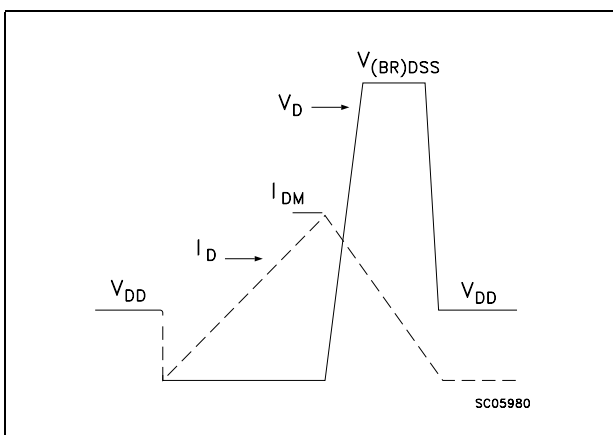
**Figure 20. Test circuit for inductive load switching and diode recovery times**



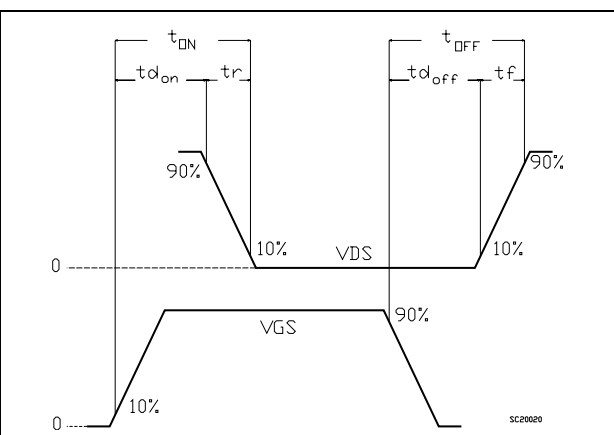
**Figure 21. Unclamped Inductive load test circuit**



**Figure 22. Unclamped inductive waveform**



**Figure 23. Switching time waveform**



## 4 Package mechanical data

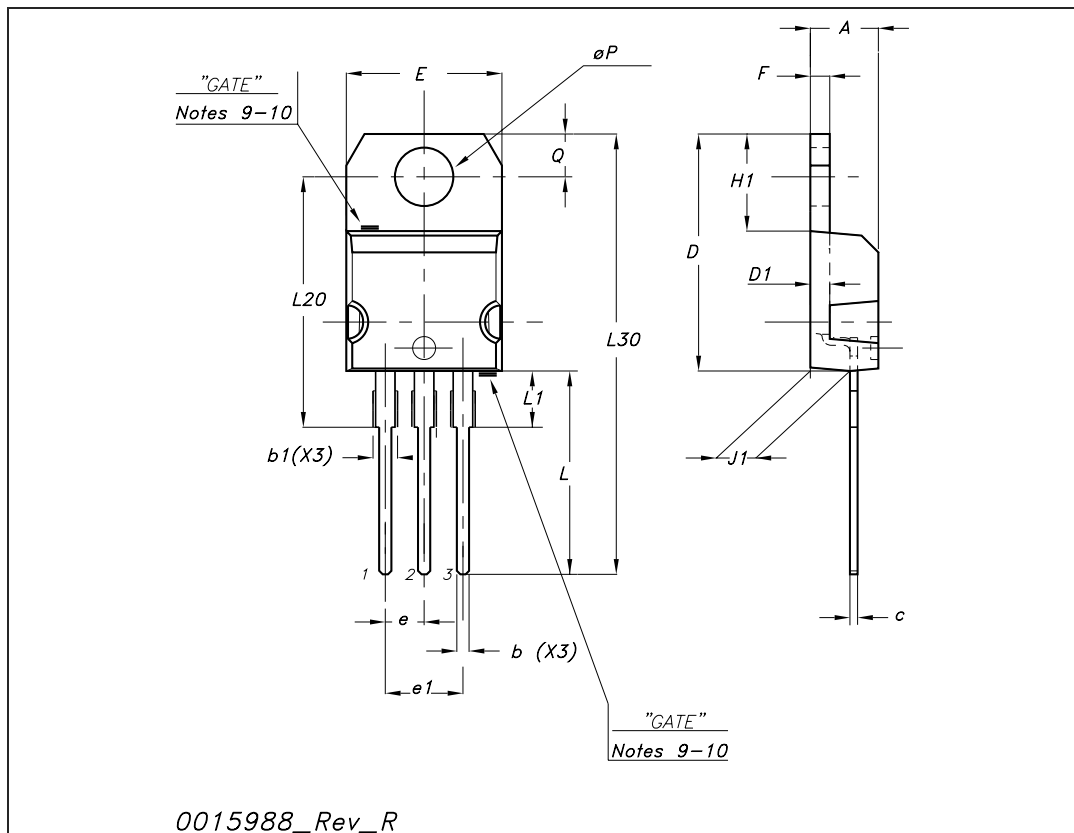
[www.datasheet4u.com](http://www.datasheet4u.com)

In order to meet environmental requirements, ST offers these devices in ECOPACK® packages. These packages have a lead-free second level interconnect. The category of second level interconnect is marked on the package and on the inner box label, in compliance with JEDEC Standard JESD97. The maximum ratings related to soldering conditions are also marked on the inner box label. ECOPACK is an ST trademark. ECOPACK specifications are available at: [www.st.com](http://www.st.com)

TO-220 mechanical data

www.datasheet4u.com

Dim	mm			inch		
	Min	Typ	Max	Min	Typ	Max
A	4.40		4.60	0.173		0.181
b	0.61		0.88	0.024		0.034
b1	1.14		1.70	0.044		0.066
c	0.48		0.70	0.019		0.027
D	15.25		15.75	0.6		0.62
D1		1.27			0.050	
E	10		10.40	0.393		0.409
e	2.40		2.70	0.094		0.106
e1	4.95		5.15	0.194		0.202
F	1.23		1.32	0.048		0.051
H1	6.20		6.60	0.244		0.256
J1	2.40		2.72	0.094		0.107
L	13		14	0.511		0.551
L1	3.50		3.93	0.137		0.154
L20		16.40			0.645	
L30		28.90			1.137	
∅P	3.75		3.85	0.147		0.151
Q	2.65		2.95	0.104		0.116

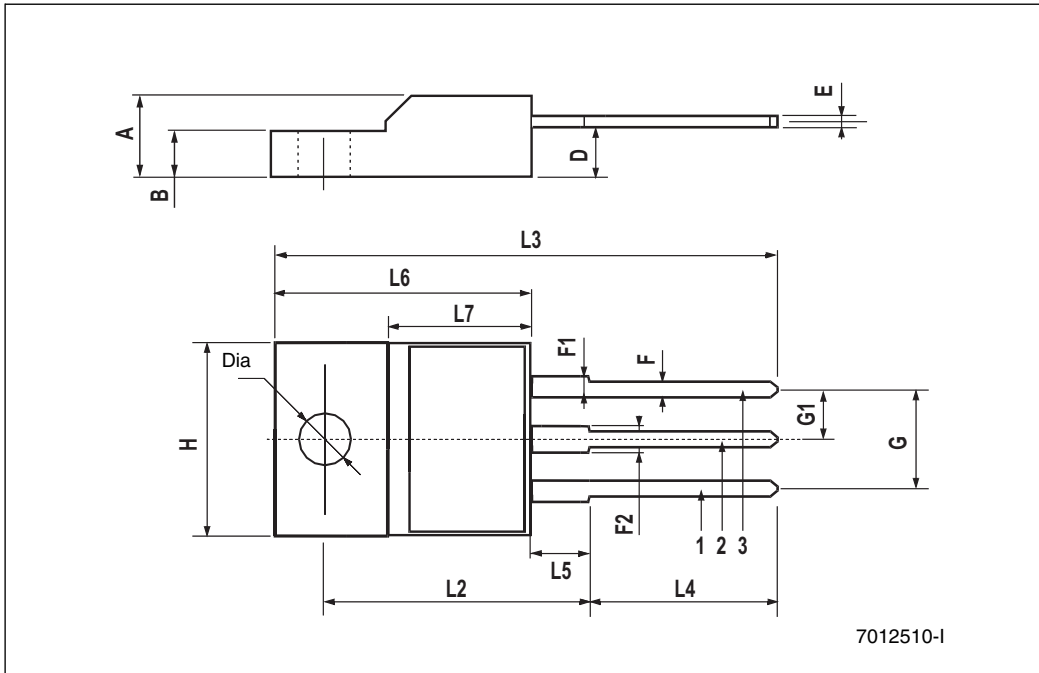


0015988\_Rev\_R

www.datasheet4u.com

**TO-220FP mechanical data**

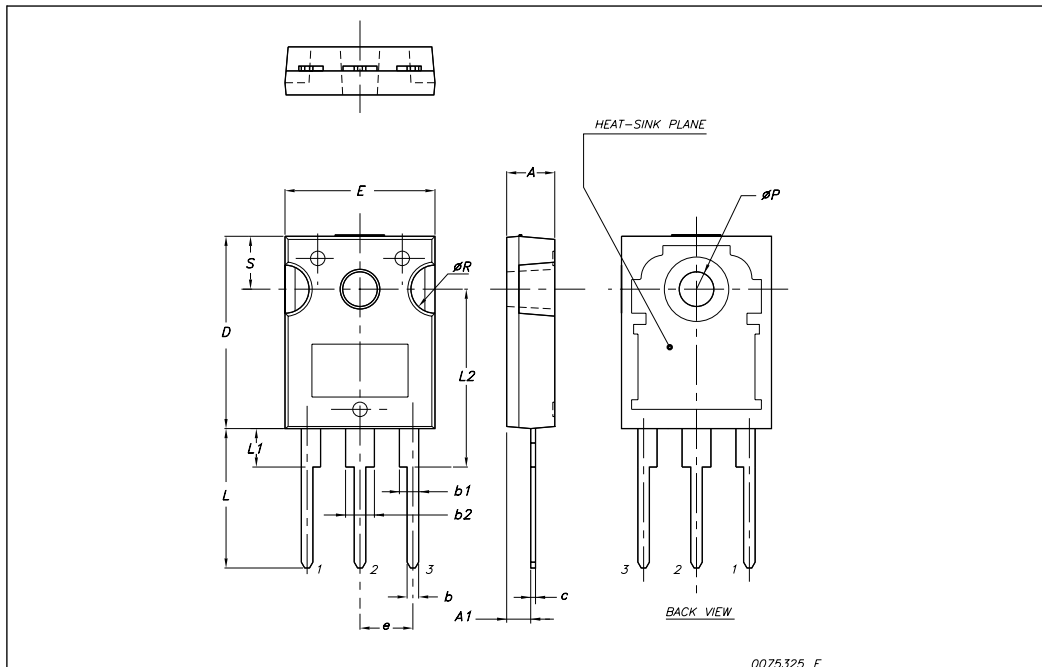
Dim.	mm.			inch		
	Min.	Typ	Max.	Min.	Typ.	Max.
A	4.40		4.60	0.173		0.181
B	2.5		2.7	0.098		0.106
D	2.5		2.75	0.098		0.108
E	0.45		0.70	0.017		0.027
F	0.75		1.00	0.030		0.039
F1	1.15		1.50	0.045		0.067
F2	1.15		1.50	0.045		0.067
G	4.95		5.20	0.195		0.204
G1	2.40		2.70	0.094		0.106
H	10		10.40	0.393		0.409
L2		16			0.630	
L3	28.6		30.6	1.126		1.204
L4	9.80		10.60	0.385		0.417
L5	2.9		3.6	0.114		0.141
L6	15.90		16.40	0.626		0.645
L7	9		9.30	0.354		0.366
Dia	3		3.2	0.118		0.126



www.datasheet4u.com

## TO-247 Mechanical data

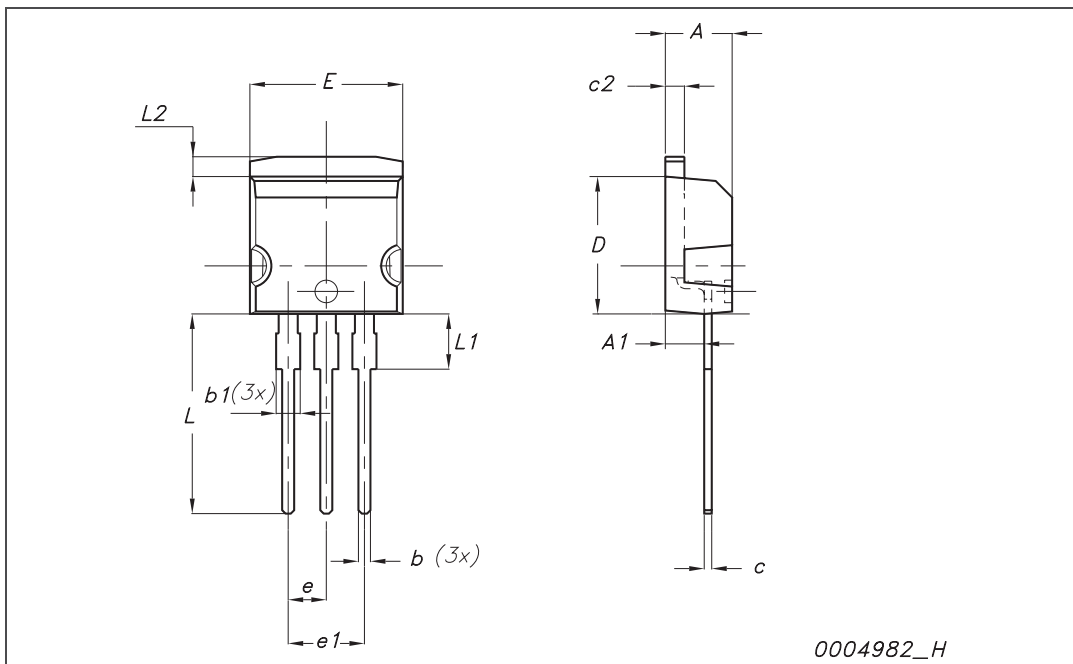
Dim.	mm.		
	Min.	Typ	Max.
A	4.85		5.15
A1	2.20		2.60
b	1.0		1.40
b1	2.0		2.40
b2	3.0		3.40
c	0.40		0.80
D	19.85		20.15
E	15.45		15.75
e		5.45	
L	14.20		14.80
L1	3.70		4.30
L2		18.50	
øP	3.55		3.65
øR	4.50		5.50
S		5.50	



www.datasheet4u.com

I<sup>2</sup>PAK (TO-262) mechanical data

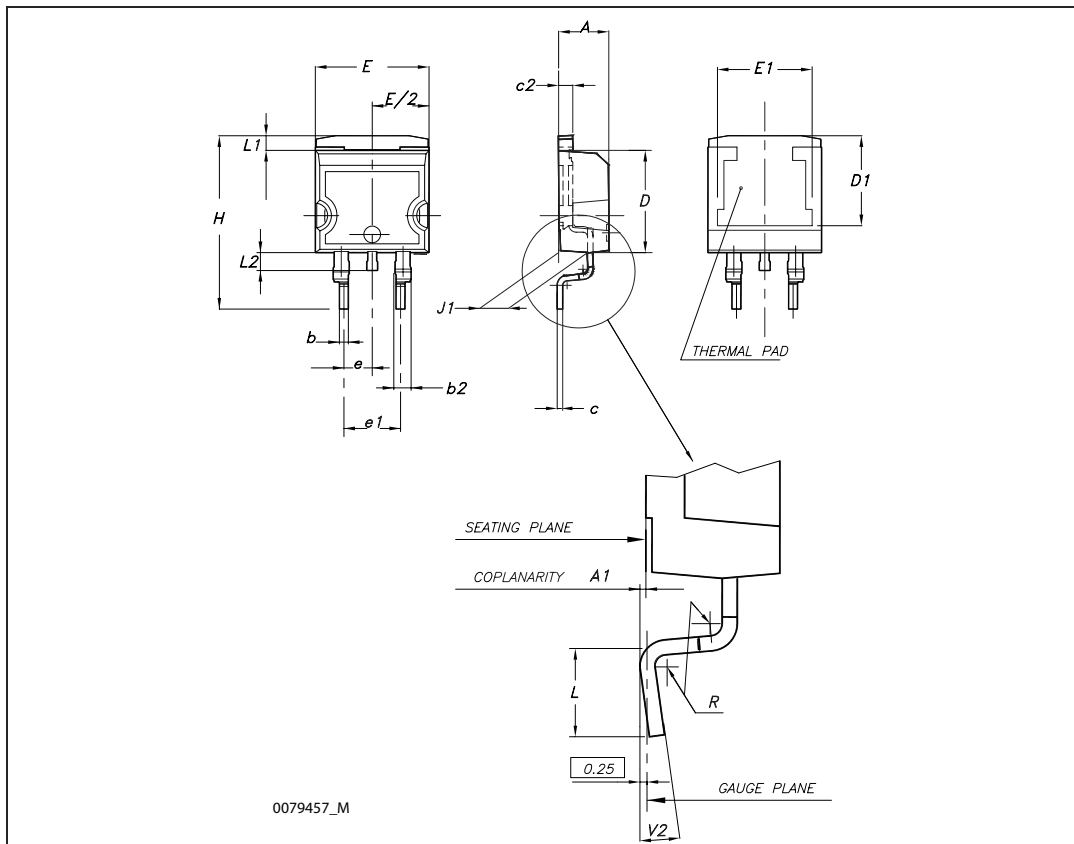
Dim	mm			inch		
	Min	Typ	Max	Min	Typ	Max
A	4.40		4.60	0.173		0.181
A1	2.40		2.72	0.094		0.107
b	0.61		0.88	0.024		0.034
b1	1.14		1.70	0.044		0.066
c	0.49		0.70	0.019		0.027
c2	1.23		1.32	0.048		0.052
D	8.95		9.35	0.352		0.368
e	2.40		2.70	0.094		0.106
e1	4.95		5.15	0.194		0.202
E	10		10.40	0.393		0.410
L	13		14	0.511		0.551
L1	3.50		3.93	0.137		0.154
L2	1.27		1.40	0.050		0.055



D<sup>2</sup>PAK (TO-263) mechanical data

www.datasheet4u.com

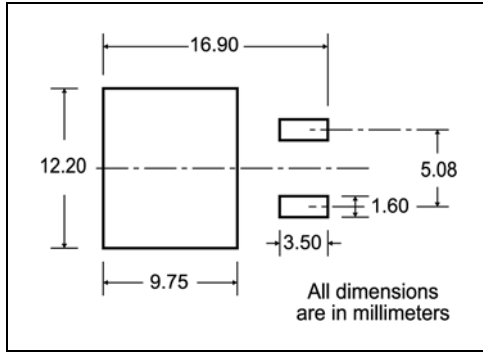
Dim	mm			inch		
	Min	Typ	Max	Min	Typ	Max
A	4.40		4.60	0.173		0.181
A1	0.03		0.23	0.001		0.009
b	0.70		0.93	0.027		0.037
b2	1.14		1.70	0.045		0.067
c	0.45		0.60	0.017		0.024
c2	1.23		1.36	0.048		0.053
D	8.95		9.35	0.352		0.368
D1	7.50			0.295		
E	10		10.40	0.394		0.409
E1	8.50			0.334		
e		2.54			0.1	
e1	4.88		5.28	0.192		0.208
H	15		15.85	0.590		0.624
J1	2.49		2.69	0.099		0.106
L	2.29		2.79	0.090		0.110
L1	1.27		1.40	0.05		0.055
L2	1.30		1.75	0.051		0.069
R		0.4			0.016	
V2	0°		8°	0°		8°



# 5 Packaging mechanical data

www.datasheet4u.com

## D<sup>2</sup>PAK FOOTPRINT



## TAPE AND REEL SHIPMENT

**TAPE MECHANICAL DATA**

DIM.	mm		inch	
	MIN.	MAX.	MIN.	MAX.
A0	10.5	10.7	0.413	0.421
B0	15.7	15.9	0.618	0.626
D	1.5	1.6	0.059	0.063
D1	1.59	1.61	0.062	0.063
E	1.65	1.85	0.065	0.073
F	11.4	11.6	0.449	0.456
K0	4.8	5.0	0.189	0.197
P0	3.9	4.1	0.153	0.161
P1	11.9	12.1	0.468	0.476
P2	1.9	2.1	0.075	0.082
R	50		1.574	
T	0.25	0.35	0.0098	0.0137
W	23.7	24.3	0.933	0.956

**REEL MECHANICAL DATA**

DIM.	mm		inch	
	MIN.	MAX.	MIN.	MAX.
A		330		12.992
B	1.5		0.059	
C	12.8	13.2	0.504	0.520
D	20.2		0.795	
G	24.4	26.4	0.960	1.039
N	100		3.937	
T		30.4		1.197

BASE QTY	BULK QTY
1000	1000

\* on sales type



## 6 Revision history

www.datasheet4u.com

**Table 9. Document revision history**

Date	Revision	Changes
30-Nov-2004	1	First release.
22-Mar-2005	2	Modified title
23-May-2005	3	Inserted some values in <a href="#">Table 7</a>
08-Jun-2005	4	Inserted new row in <a href="#">Table 6</a>
08-Sep-2005	5	New value for $C_{oss\ eq}$ in <a href="#">Table 6</a>
28-Sep-2005	6	Added curves
26-Oct-2005	7	Complete version
23-Jun-2006	8	New template, new value on <a href="#">Absolute maximum ratings</a>
25-Aug-2006	9	Wrong title on first page
14-Nov-2006	10	Modified <a href="#">Avalanche characteristics</a>
19-Jan-2007	11	Typo mistake on <a href="#">Table 7</a>
11-Jun-2008	12	<ul style="list-style-type: none"> <li>– Updated <math>R_{DS(on)}</math> max value in <a href="#">Table 5</a></li> <li>– Corrected capacitance value in <a href="#">Table 6</a></li> <li>– Update <a href="#">Figure 13: Capacitance variations</a></li> </ul>

**Please Read Carefully:**

Information in this document is provided solely in connection with ST products. STMicroelectronics NV and its subsidiaries ("ST") reserve the right to make changes, corrections, modifications or improvements, to this document, and the products and services described herein at any time, without notice.

All ST products are sold pursuant to ST's terms and conditions of sale.

Purchasers are solely responsible for the choice, selection and use of the ST products and services described herein, and ST assumes no liability whatsoever relating to the choice, selection or use of the ST products and services described herein.

No license, express or implied, by estoppel or otherwise, to any intellectual property rights is granted under this document. If any part of this document refers to any third party products or services it shall not be deemed a license grant by ST for the use of such third party products or services, or any intellectual property contained therein or considered as a warranty covering the use in any manner whatsoever of such third party products or services or any intellectual property contained therein.

**UNLESS OTHERWISE SET FORTH IN ST'S TERMS AND CONDITIONS OF SALE ST DISCLAIMS ANY EXPRESS OR IMPLIED WARRANTY WITH RESPECT TO THE USE AND/OR SALE OF ST PRODUCTS INCLUDING WITHOUT LIMITATION IMPLIED WARRANTIES OF MERCHANTABILITY, FITNESS FOR A PARTICULAR PURPOSE (AND THEIR EQUIVALENTS UNDER THE LAWS OF ANY JURISDICTION), OR INFRINGEMENT OF ANY PATENT, COPYRIGHT OR OTHER INTELLECTUAL PROPERTY RIGHT.**

**UNLESS EXPRESSLY APPROVED IN WRITING BY AN AUTHORIZED ST REPRESENTATIVE, ST PRODUCTS ARE NOT RECOMMENDED, AUTHORIZED OR WARRANTED FOR USE IN MILITARY, AIR CRAFT, SPACE, LIFE SAVING, OR LIFE SUSTAINING APPLICATIONS, NOR IN PRODUCTS OR SYSTEMS WHERE FAILURE OR MALFUNCTION MAY RESULT IN PERSONAL INJURY, DEATH, OR SEVERE PROPERTY OR ENVIRONMENTAL DAMAGE. ST PRODUCTS WHICH ARE NOT SPECIFIED AS "AUTOMOTIVE GRADE" MAY ONLY BE USED IN AUTOMOTIVE APPLICATIONS AT USER'S OWN RISK.**

Resale of ST products with provisions different from the statements and/or technical features set forth in this document shall immediately void any warranty granted by ST for the ST product or service described herein and shall not create or extend in any manner whatsoever, any liability of ST.

ST and the ST logo are trademarks or registered trademarks of ST in various countries.

Information in this document supersedes and replaces all information previously supplied.

The ST logo is a registered trademark of STMicroelectronics. All other names are the property of their respective owners.

© 2008 STMicroelectronics - All rights reserved

STMicroelectronics group of companies

Australia - Belgium - Brazil - Canada - China - Czech Republic - Finland - France - Germany - Hong Kong - India - Israel - Italy - Japan - Malaysia - Malta - Morocco - Singapore - Spain - Sweden - Switzerland - United Kingdom - United States of America

[www.st.com](http://www.st.com)