

# Schottky Barrier Rectifier

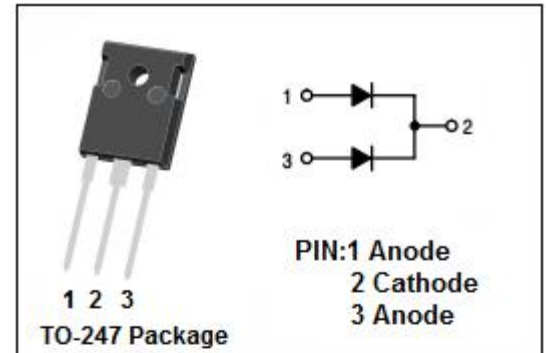
# STPS61150CW

## FEATURES

- Low leakage current
- High frequency operation
- Have over voltage protect loop, high reliability
- Minimum Lot-to-Lot variations for robust device performance and reliable operation

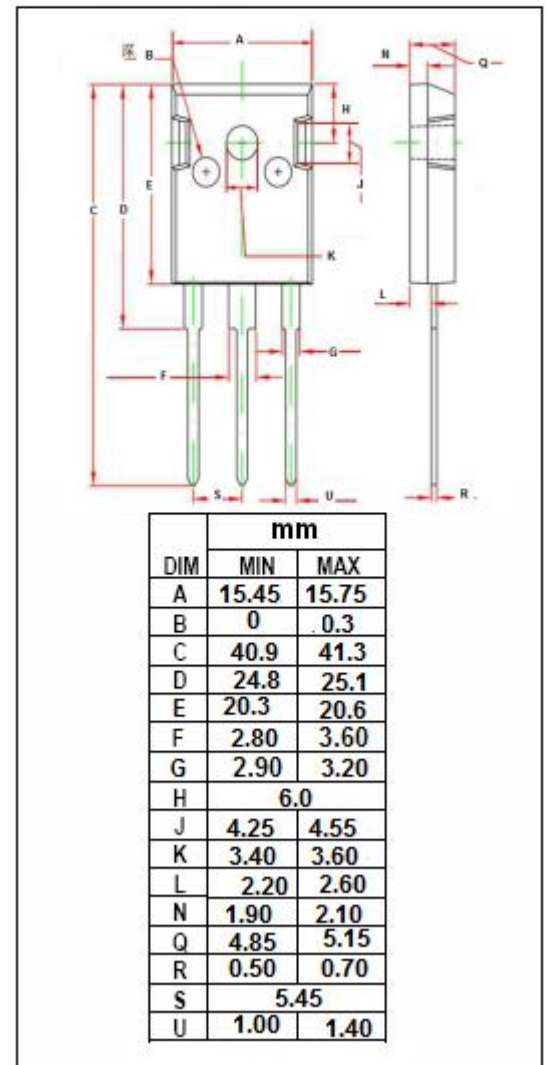
## APPLICATIONS

- Low voltage high frequency switching power supply
- Low voltage high frequency inverter circuit
- Low voltage continued circuit and protection circuit



## ABSOLUTE MAXIMUM RATINGS(Ta=25°C)

SYMBOL	PARAMETER	VALUE	UNIT
V <sub>RRM</sub>	Peak Repetitive Reverse Voltage	150	V
I <sub>F(AV)</sub>	Average Rectified Forward Current	60	A
I <sub>FSM</sub>	Non-repetitive Peak Surge Current	500	A
I <sub>RSM</sub>	Peak Repetitive Reverse Surge Current (2 μs, 1.0kHz)	0.5	A
T <sub>J</sub>	Max.Junction Temperature	150	°C
T <sub>stg</sub>	Storage Temperature Range	-40~150	°C
dv/dt	Voltage Rate of Change (Rated V <sub>R</sub> )	1,0000	V/ μs



**Schottky Barrier Rectifier****STPS61150CW****THERMAL CHARACTERISTICS**

SYMBOL	PARAMETER	MAX	UNIT
R <sub>th j-c</sub>	Thermal Resistance, Junction to Case	0.6	°C/W

**ELECTRICAL CHARACTERISTICS** (Pulse Test: Pulse Width=300 μs, Duty Cycle ≤ 1%)

SYMBOL	PARAMETER	CONDITIONS	MAX	UNIT
V <sub>F</sub>	Forward Voltage Drop	I <sub>F</sub> = 30A ; T <sub>c</sub> = 25°C	0.84	V
		I <sub>F</sub> = 30A ; T <sub>c</sub> = 125°C	0.67	
		I <sub>F</sub> = 60A ; T <sub>c</sub> = 25°C	0.92	
		I <sub>F</sub> = 60A ; T <sub>c</sub> = 125°C	0.8	
I <sub>R</sub>	Reverse Leakage Current	V <sub>R</sub> = V <sub>RWM</sub> ; T <sub>c</sub> = 25°C	0.02	mA
		V <sub>R</sub> = V <sub>RWM</sub> ; T <sub>c</sub> = 125°C	25	

**NOTICE:**

ISC reserves the rights to make changes of the content herein the datasheet at any time without notification. The information contained herein is presented only as a guide for the applications of our products.

ISC products are intended for usage in general electronic equipment. The products are not designed for use in equipment which require specialized quality and/or reliability, or in equipment which could have applications in hazardous environments, aerospace industry, or medical field. Please contact us if you intend our products to be used in these special applications.

ISC makes no warranty or guarantee regarding the suitability of its products for any particular purpose, nor does ISC assume any liability arising from the application or use of any products, and specifically disclaims any and all liability, including without limitation special, consequential or incidental damages.