

# STR-DE197

## SERVICE MANUAL

Ver. 1.3 2006. 09

US Model  
Canadian Model  
AEP Model



Photo: Black type

### SPECIFICATIONS

#### AUDIO POWER SPECIFICATIONS

##### POWER OUTPUT AND TOTAL HARMONIC DISTORTION:

(Models of area code US only)

With 8 ohm loads, both channels driven, from 20 – 20,000 Hz; rated 100 watts per channel minimum RMS power, with no more than 0.09 % total harmonic distortion from 250 milliwatts to rated output.

##### Amplifier section

###### POWER OUTPUT

Models of area code US, CND

Power Output at Stereo Mode

(8 ohms 1 kHz, THD 0.7 %)  
125 W + 125 W <sup>1)</sup>

Models of area code AEP

Power Output at Stereo Mode

(8 ohms 1 kHz, THD 0.7 %)  
100 W + 100 W <sup>1)</sup>

1) Measured under the following conditions:

Area code	Power requirements
US, CND	120 V AC, 60 Hz
AEP	230 V AC, 50 Hz

###### Frequency response

CD, MD/TAPE,	20 Hz – 50 kHz
VIDEO 1, 2	+0/-0.5 dB (with bass boost and tone bypassed)

###### Inputs (Analog)

CD, MD/TAPE,	Sensitivity: 500 mV
VIDEO 1, 2	Impedance: 50 kilohms
	S/N <sup>2)</sup> : 85 dB
	(A, 500 mV <sup>3)</sup> )

2) INPUT SHORT (with bass boost and tone bypassed).

3) Weighted network, input level.

###### Outputs (Analog)

MD/TAPE (OUT),	Voltage: 500 mV
VIDEO 1 (AUDIO OUT)	Impedance: 10 kilohms

Bass Boost:	+8 dB at 70 Hz
Tone:	±10 dB at 100 Hz and 10 kHz

###### FM tuner section

Tuning range	87.5 – 108.0 MHz
Antenna	FM wire antenna
Antenna terminals	75 ohms, unbalanced
Intermediate frequency	10.7 MHz
Sensitivity	
Mono:	18.3 dBf, 2.2 µV/75 ohms
Stereo:	38.3 dBf, 22.5 µV/75 ohms
Usable sensitivity	11.2 dBf, 1 µV/75 ohms
S/N	
Mono:	76 dB
Stereo:	70 dB
Harmonic distortion at 1 kHz	
Mono:	0.3%
Stereo:	0.5%
Separation	45 dB at 1 kHz
Frequency response	30 Hz – 15 kHz, +0.5/-2 dB
Selectivity	60 dB at 400 kHz

– Continued on next page –

### FM STEREO/FM-AM RECEIVER

9-877-864-04

2006I04-1

© 2006. 09

Sony Corporation

Home Audio Division

Published by Sony Techno Create Corporation

SONY®

## AM tuner section

### Tuning range

Models of area code US, CND  
 With 10-kHz tuning scale: 530 – 1,710 kHz<sup>4)</sup>  
 With 9-kHz tuning scale: 531 – 1,710 kHz<sup>4)</sup>

Models of area code AEP  
 With 9-kHz tuning scale: 531 – 1,602 kHz

Antenna	Loop antenna
Intermediate frequency	450 kHz
Usable sensitivity	50 dB/m (at 1,000 kHz or 999 kHz)
S/N	54 dB (at 50 mV/m)
Harmonic distortion	0.5 % (50 mV/m, 400 Hz)
Selectivity	
At 9 kHz:	35 dB
At 10 kHz:	40 dB

4) You can change the AM tuning scale to 9 kHz or 10 kHz. After tuning in any AM station, turn off the receiver. Hold down PRESET TUNING + and press I/⏪. All preset stations will be erased when you change the tuning scale. To reset the scale to 10 kHz (or 9 kHz), repeat the procedure.

## General

### Power requirements

Area code	Power consumption
US, CND	120 V AC, 60 Hz
AEP	230 V AC, 50/60 Hz

### Power consumption

Area code	Power consumption
US	190 W
CND	270 VA
AEP	210 W

Power consumption (during standby mode)  
 0.5 W

### AC outlets

Area code	AC outlets
US, CND	1 switched, 120 W/1A MAX
AEP	1 switched, 100 W MAX

Dimensions 430 × 132.5 × 302 mm  
 (17 × 5 1/4 × 11 7/8 inches)  
 including projecting parts  
 and controls

Mass (Approx.) 7.0 kg (15 lb 7 oz)

## Supplied accessories

- FM wire antenna (1)
- AM loop antenna (1)
- Remote commander RM-U185 (1)
- R6 (size-AA) batteries (2)

Design and specifications are subject to change without notice.

- Abbreviation
- CND: Canadian model

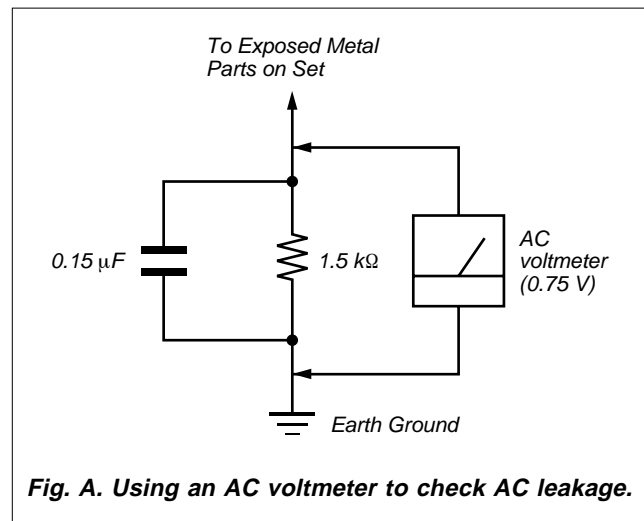
## SAFETY CHECK-OUT

After correcting the original service problem, perform the following safety check before releasing the set to the customer:  
 Check the antenna terminals, metal trim, “metallized” knobs, screws, and all other exposed metal parts for AC leakage. Check leakage as described below.

## LEAKAGE TEST

The AC leakage from any exposed metal part to earth ground and from all exposed metal parts to any exposed metal part having a return to chassis, must not exceed 0.5 mA (500 microamperes). Leakage current can be measured by any one of three methods.

1. A commercial leakage tester, such as the Simpson 229 or RCA WT-540A. Follow the manufacturers’ instructions to use these instruments.
2. A battery-operated AC milliammeter. The Data Precision 245 digital multimeter is suitable for this job.
3. Measuring the voltage drop across a resistor by means of a VOM or battery-operated AC voltmeter. The “limit” indication is 0.75 V, so analog meters must have an accurate low-voltage scale. The Simpson 250 and Sanwa SH-63Trd are examples of a passive VOM that is suitable. Nearly all battery operated digital multimeters that have a 2V AC range are suitable. (See Fig. A)



**Fig. A. Using an AC voltmeter to check AC leakage.**

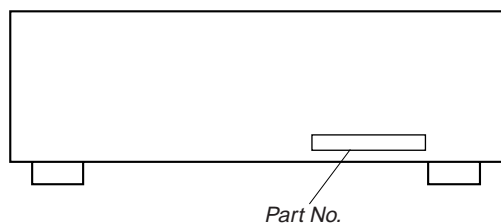
## SAFETY-RELATED COMPONENT WARNING!!

COMPONENTS IDENTIFIED BY MARK  $\triangle$  OR DOTTED LINE WITH MARK  $\triangle$  ON THE SCHEMATIC DIAGRAMS AND IN THE PARTS LIST ARE CRITICAL TO SAFE OPERATION. REPLACE THESE COMPONENTS WITH SONY PARTS WHOSE PART NUMBERS APPEAR AS SHOWN IN THIS MANUAL OR IN SUPPLEMENTS PUBLISHED BY SONY.

## ATTENTION AU COMPOSANT AYANT RAPPORT À LA SÉCURITÉ!!

LES COMPOSANTS IDENTIFIÉS PAR UNE MARQUE  $\triangle$  SUR LES DIAGRAMMES SCHÉMATIQUES ET LA LISTE DES PIÈCES SONT CRITIQUES POUR LA SÉCURITÉ DE FONCTIONNEMENT. NE REMPLACER CES COMPOSANTS QUE PAR DES PIÈCES SONY DONT LES NUMÉROS SONT DONNÉS DANS CE MANUEL OU DANS LES SUPPLÉMENTS PUBLIÉS PAR SONY.

## MODEL IDENTIFICATION — BACK PANEL —



MODEL	PART No.
US	4-253-299-0□
AEP	4-253-299-1□
CND	4-253-299-3□

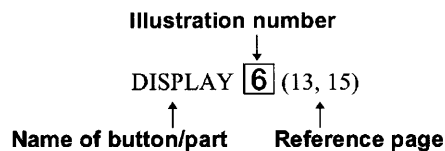
- Abbreviation  
CND: Canadian model

## TABLE OF CONTENTS

<b>1. GENERAL</b>	
Main unit .....	4
Remote button description .....	6
<b>2. DISASSEMBLY</b>	
2-1. Case .....	7
2-2. Front Panel Section .....	8
2-3. Back Panel .....	8
2-4. Main Board .....	9
<b>3. TEST MODE</b> .....	10
<b>4. DIAGRAMS</b>	
4-1. IC Pin Description .....	11
4-2. Circuit Boards Location .....	13
4-3. Block Diagram – Main Section – .....	15
4-4. Block Diagram – Power Section – .....	16
4-5. Printed Wiring Boards – Main Section – .....	17
4-6. Schematic Diagram – Main Section (1/2) – .....	18
4-7. Schematic Diagram – Main Section (2/2) – .....	19
4-8. Printed Wiring Boards – Panel Section – .....	20
4-9. Schematic Diagram – Panel Section – .....	21
4-10. IC Block Diagrams .....	22
<b>5. EXPLODED VIEWS</b>	
5-1. Case Section .....	23
5-2. Front Panel Section .....	24
5-3. Chassis Section .....	25
<b>6. ELECTRICAL PARTS LIST</b> .....	26

**List of button locations and reference pages****How to use page 28 and 29**

Use this page to find the location of buttons that are mentioned in the text.

**Main unit****ALPHABETICAL ORDER****A - L**

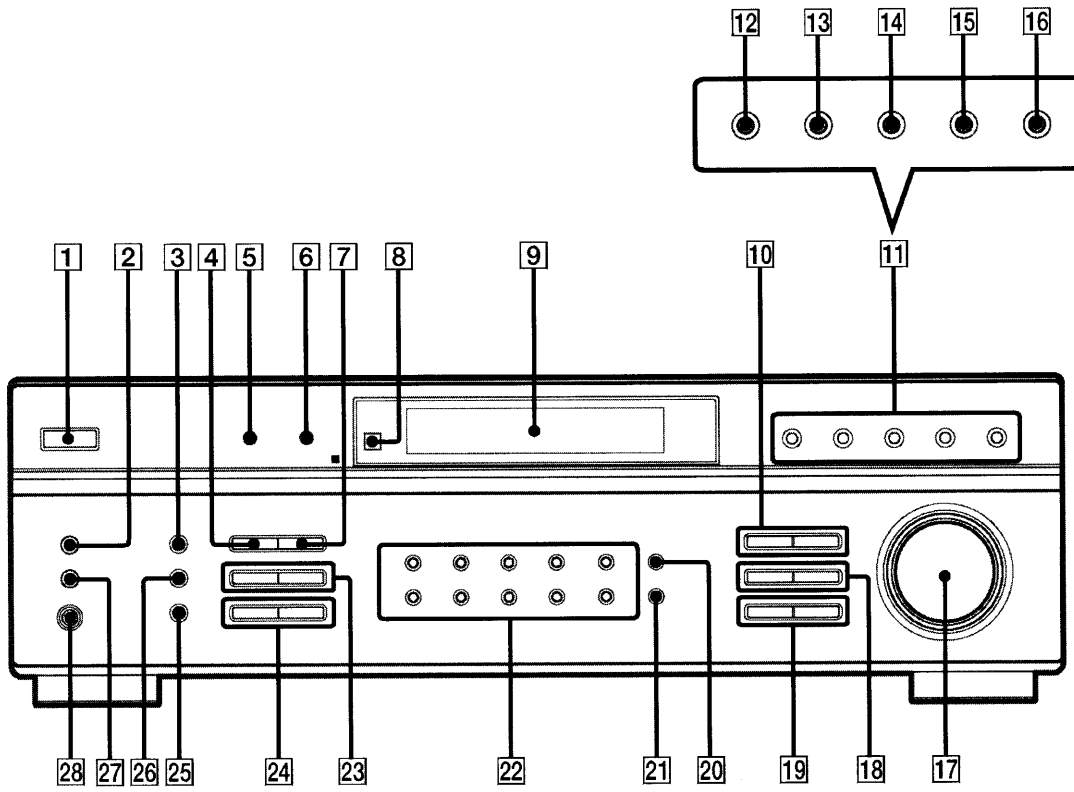
AM **7** (10, 11)  
BALANCE L/R **10** (15)  
BASS -/+ **19** (15)  
BASS BOOST (button/indicator)  
**5** (15)  
CD **15** (6, 10)  
DIRECT **21** (11)  
DISPLAY **6** (13, 15)  
Display **9** (13, 15)  
FM **4** (10, 11)  
FM MODE **3** (10)  
Input buttons **11** (6, 10, 16)  
IR (receptor) **8** (19, 25)

**M - Z**

MASTER VOLUME -/+ **17** (9, 10, 24)  
MD/TAPE **14** (6, 10)  
MEMORY/ENTER **25** (11, 12, 16)  
NAME **26** (16)  
Numeric buttons **22** (11, 12)  
PHONES (jack) **28** (10, 24)  
PRESET TUNING -/+ **23** (12, 26)  
SHIFT **20** (12)  
SPEAKER A (button/indicator)  
**2** (8, 10, 17, 24)  
SPEAKER B (button/indicator)  
**27** (8, 10, 17, 24)  
TREBLE -/+ **18** (15)  
TUNER **16** (6, 10, 11, 12, 16)  
TUNING/CHAR -/+ **24** (10, 16)  
VIDEO 1 **12** (10)  
VIDEO 2 **13** (6, 10)

**NUMBERS AND SYMBOLS**

I/⏻ (power) **1** (9, 11, 26)




**Additional Information**

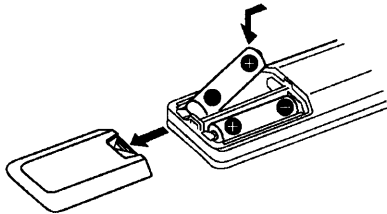
## Operations Using the Remote RM-U185

You can use the remote RM-U185 to operate the components in your system.

### Before you use your remote

#### Inserting batteries into the remote

Insert R6 (size-AA) batteries with the + and – properly oriented in the battery compartment. When using the remote, point it at the remote sensor  on the receiver.



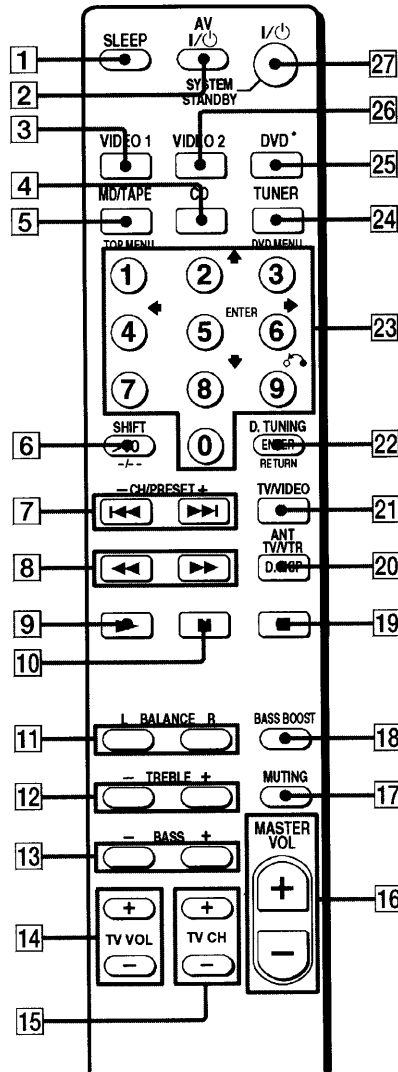
**Tip**

Under normal conditions, the batteries should last for about 6 months. When the remote no longer operates the receiver, replace all batteries with new ones.

**Notes**


- Do not leave the remote in an extremely hot or humid place.
- Do not use a new battery with an old one.
- Do not expose the remote sensor to direct sunlight or lighting apparatuses. Doing so may cause a malfunction.
- If you don't use the remote for an extended period of time, remove the batteries to avoid possible damage from battery leakage and corrosion.


### Remote button description



Operations Using the Remote RM-U185

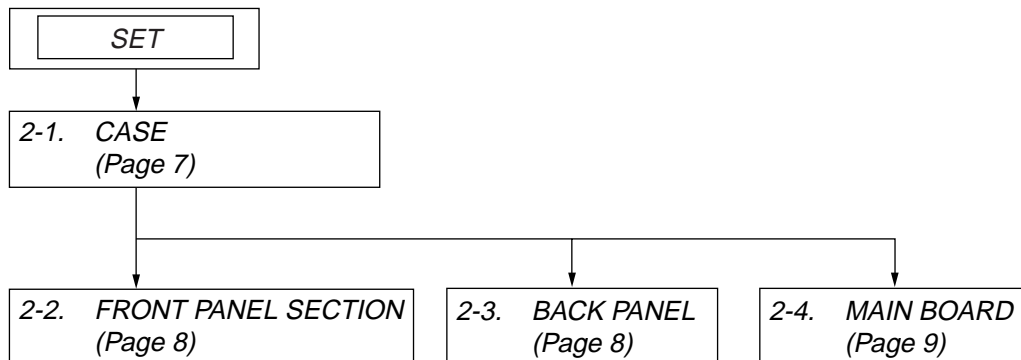
The tables below show the settings of each button.

Remote Button	Operations	Function
ANT TV/VTR 	VCR	Selects output signal from the antenna terminal: TV signal or VCR program.

continued 

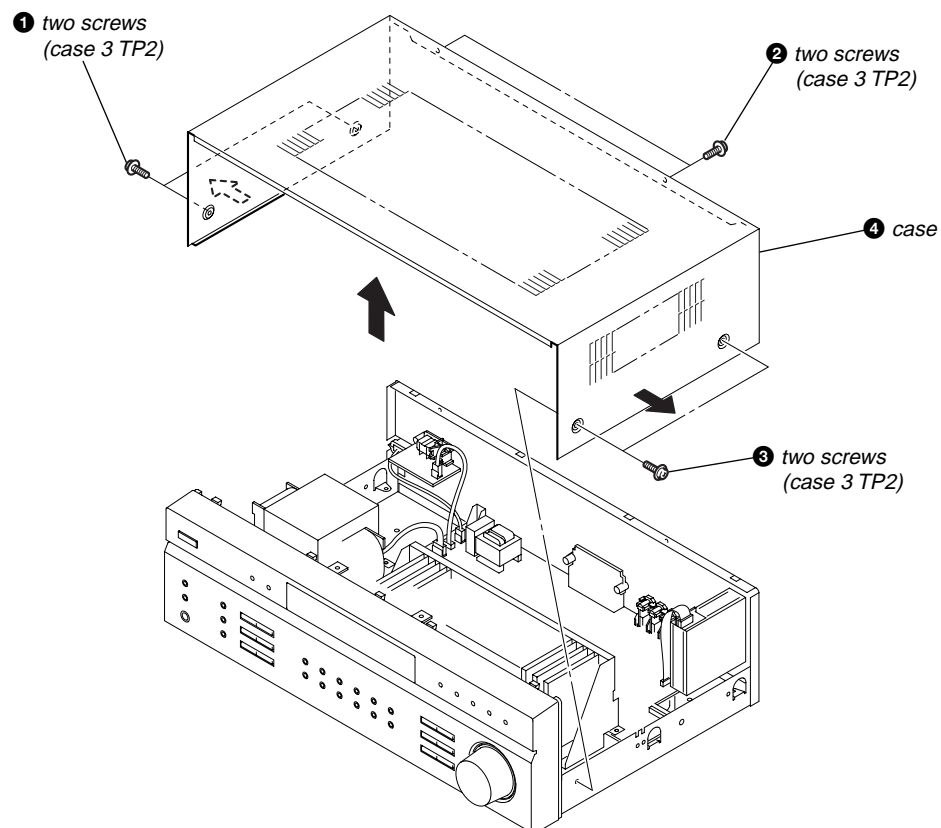
## SECTION 2 DISASSEMBLY

**Note :** This set can be disassemble according to the following sequence.

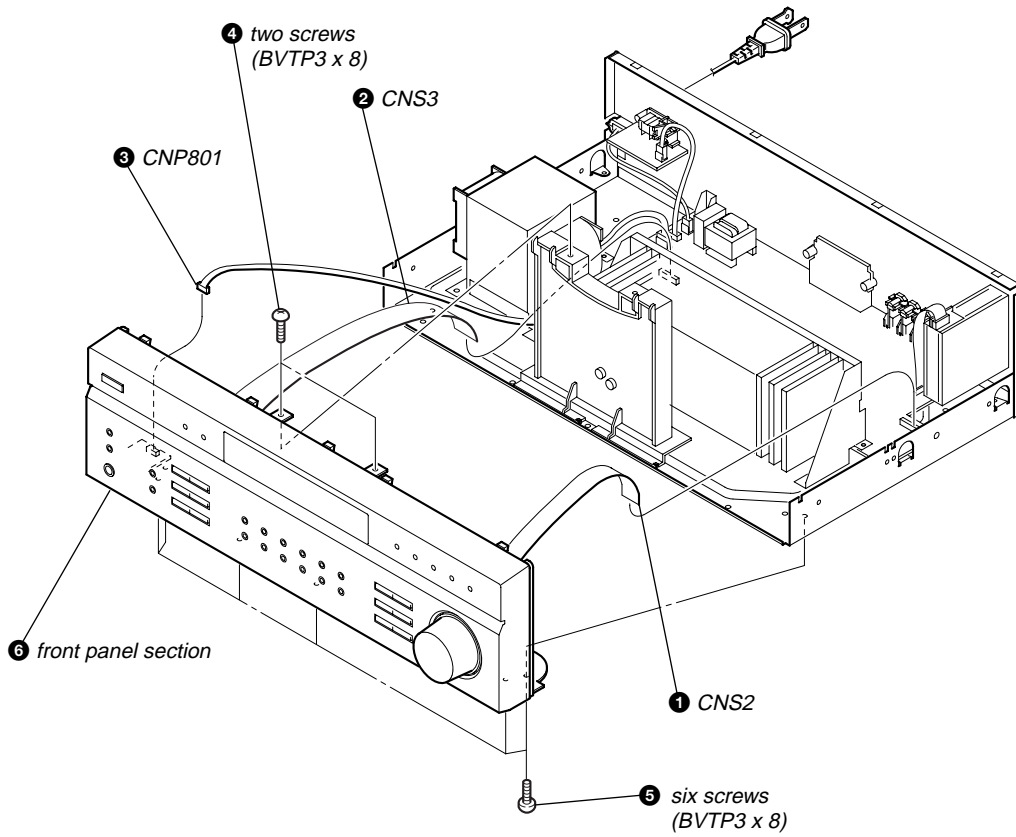


**Note :** Follow the disassembly procedure in the numerical order given.

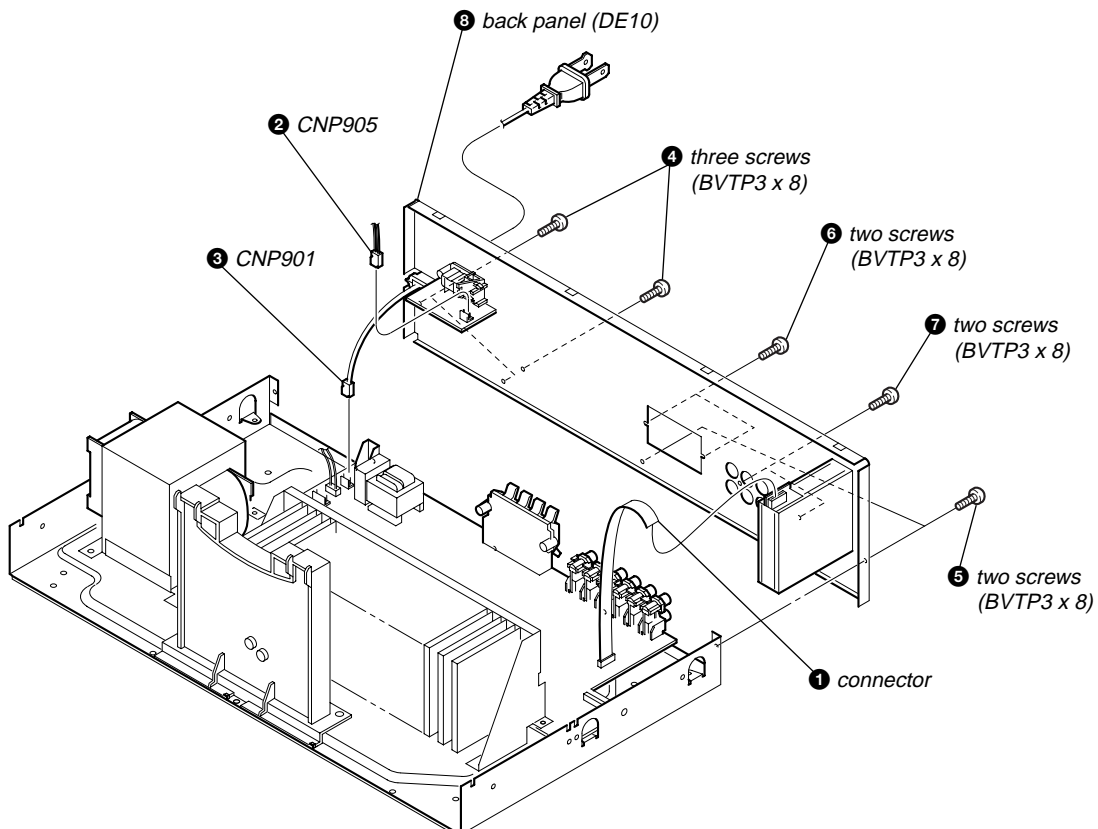
### 2-1. CASE



2-2. FRONT PANEL SECTION

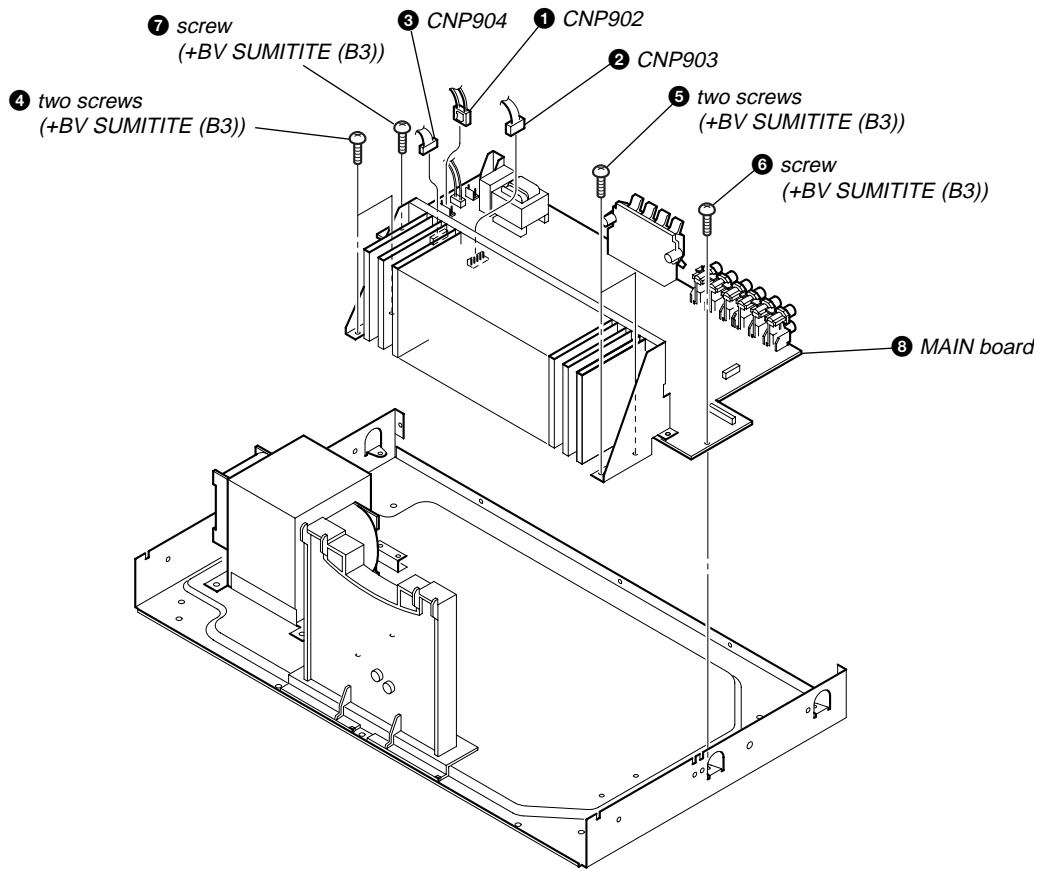


2-3. BACK PANEL





## 2-4. MAIN BOARD



## SECTION 3 TEST MODE

### Fluorescent Indicator Tube Test Mode

All fluorescent segments are tested. When this test is activated, all segments turn on at the same time, then each segment turns on one after another.

#### Procedure:

1. While depressing the [VIDEO 1], [VIDEO 2], [MD/TAPE], [CD] and the [TUNER] buttons simultaneously, press the [I/⏻] button to turn on the main power.
2. The FL tube will illuminate in half light on. The following display will be repeated whenever the five function buttons are pressed.
  - Operation of function buttons  
all light on → half light on 1 → half light on 2 → all light off
3. Press any button other than the function buttons to release the check mode.

### AUTO-BETICAL Check Mode (AEP model)

To auto-scanning and memories of RDS station.

#### Procedure:

1. While depressing the [MEMORY/ENTER] button, press the [I/⏻] button to turn on the main power.
2. The message "AUTO-BETICAL SELECT" are scrolled for a moment and the receiver starts scanning.

### AM Tuning Interval Selection Mode (US, Canadian model)

Either 9 kHz step or 10 kHz step can be selected for the AM tuning interval.

#### Procedure:

1. While depressing the [PRESET TUNING +] button or the [TUNING/CHAR +] button, press the [I/⏻] button to turn on the main power.
2. Either the message "9k STEP" or "10k STEP" appears for a moment and select the desired step.

### Software Version Display Mode

The software version is displayed.

#### Procedure:

1. While depressing the [SPEAKER B] and the [VIDEO 1] buttons simultaneously, press the [I/⏻] button to turn on the main power.
2. The destination and the software version are displayed for a moment.

ex.) US, Canadian model : U\*\*\*  
 AEP model : CE\*\*\*  
 Software version Area

## SECTION 4 DIAGRAMS

### 4-1. IC PIN DESCRIPTION

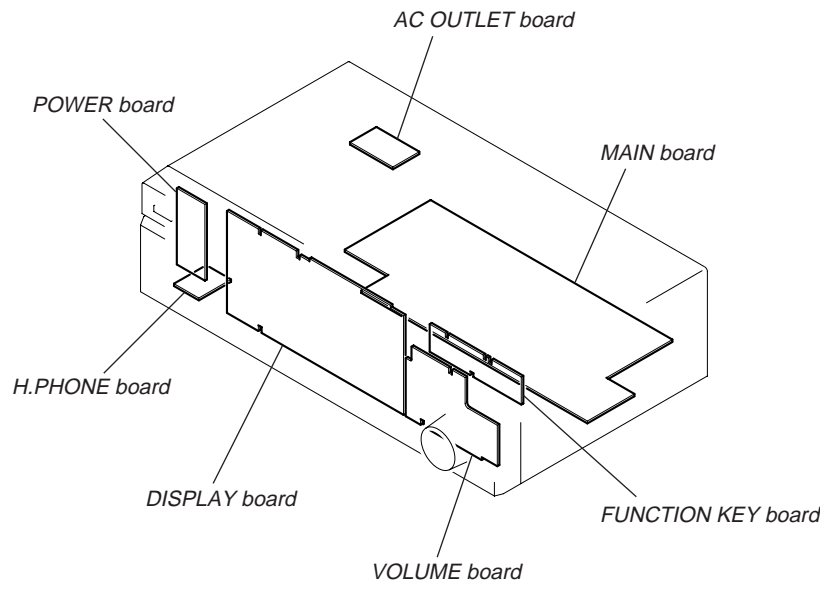
#### • IC201 $\mu$ PD78045FGF-134-3B9 (SYSTEM CONTROLLER, FL DISPLAY DRIVER)

Pin No.	Pin Name	I/O	Pin Description
1 to 7	DIG7 to DIG1	O	Digit drive signal output to the vacuum fluorescent display (FL201).
8	+5V	—	Power supply pin (+5 V)
9	CL	O	Serial clock signal output to FM/AM tuner pack.
10	DO	O	Serial data signal output to FM/AM tuner pack.
11	DI	I	Serial data signal input from FM/AM tuner pack.
12	CE	O	Serial chip enable signal output to FM/AM tuner pack.
13	VOL DATA	O	Serial data signal output to sound control IC.
14	VOL CL	O	Serial clock signal output to sound control IC.
15	RDS DATA	I	RDS data signal input from FM/AM tuner pack. (AEP model only)
16	PROTECTOR	I	Overload detection signal input
17	$\overline{\text{RESET}}$	I	Reset signal input
18	TUNED	I	TUNED indicator detection signal input from FM/AM tuner pack.
19	STEREO	I	STEREO indicator detection signal input from FM/AM tuner pack.
20	AVSS	—	Analog ground
21	VERSION	I	Destination select signal input (Fixed at H: US, Canadian model, L: AEP model)
22	FM SIGNAL OUT	I	FM/AM signal meter voltage detection signal input from FM/AM tuner pack. (AEP model only)
23 to 28	AD6 to AD1	I	Function keys signal input
29	AVDD	—	A/D converter power supply pin (+5 V)
30	AV.REF	—	A/D converter reference voltage input (+5 V)
31	—	—	Not used. (Connect to AV.REF pin in this set)
32	OPEN	—	Not used. (Open)
33	GND	—	Ground
34	X1	I	Master clock input (4.19 MHz)
35	X2	O	Master clock output (4.19 MHz)
36	REC SW1	O	VIDEO 1 ON/OFF signal output
37	REC SW2	O	MD/TAPE ON/OFF signal output
38, 39	VOL A, VOL B	I	Master volume JOG data input A, B
40	FUNC.MUTE	O	Not used. (Fixed at L in this set)
41	CK	O	Serial clock signal output to electronic volume IC.
42	DATA	O	Serial data signal output to electronic volume IC.
43	STB	O	Serial data strobe signal output to electronic volume IC.
44	$\overline{\text{SYS.POWER}}$	I	System power signal input
45	AC MUTE	O	A-Class mute signal output
46	RDS INT	I	RDS clock signal input from FM/AM tuner pack. (AEP model only)
47	$\overline{\text{STOP}}$	I	Stop signal input from reset/+5.6V regulator IC.
48	VSS	—	Ground
49	$\overline{\text{SIRCS}}$	I	Sircs signal input from remote control receiver IC.
50	TUNER MUTE	O	Muting control signal output to FM/AM tuner pack.
51	—	—	Not used. (Open)
52	+5V	—	Power supply pin (+5 V)
53	BASS B. LED	O	BASS BOOST LED drive signal output
54	SPK A LED	O	SPEAKER A LED drive signal output
55	SPK B LED	O	SPEAKER B LED drive signal output

**STR-DE197**

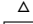
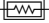


Pin No.	Pin Name	I/O	Pin Description
56	RY R1 COIL	O	Power relay (12V) drive signal output
57	RY POWER	O	AC power relay (9V) drive signal output
58	RY A	O	Speaker A relay (12V) drive signal output
59	RY B	O	Speaker B relay (12V) drive signal output
60	RY HP	O	Phones relay (12V) drive signal output
61	—	—	Not used. (Open)
62 to 70	S15 to S7	O	Segment drive signal output to the vacuum fluorescent display (FL201).
71	VLOAD	—	Power supply pin (-24 V)
72 to 77	S6 to S1	O	Segment drive signal output to the vacuum fluorescent display (FL201).
78 to 80	DIG10 to DIG8	O	Digit drive signal output to the vacuum fluorescent display (FL201).

4-2. CIRCUIT BOARDS LOCATION



**THIS NOTE IS COMMON FOR PRINTED WIRING BOARDS AND SCHEMATIC DIAGRAMS.**  
**(In addition to this, the necessary note is printed in each block.)**

**for schematic diagram:**






- All capacitors are in  $\mu\text{F}$  unless otherwise noted. (p: pF) 50 WV or less are not indicated except for electrolytics and tantalums.
- All resistors are in  $\Omega$  and  $1/4\text{ W}$  or less unless otherwise specified.
-  : internal component.
-  : nonflammable resistor.
-  : fusible resistor.
-  : panel designation.

**Note:**

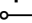

The components identified by mark  $\triangle$  or dotted line with mark  $\triangle$  are critical for safety. Replace only with part number specified.

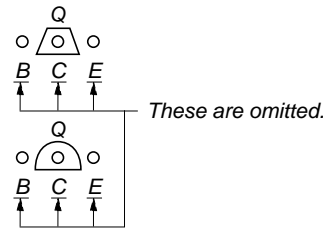
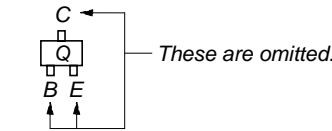
**Note:**

Les composants identifiés par une marque  $\triangle$  sont critiques pour la sécurité. Ne les remplacer que par une pièce portant le numéro spécifié.

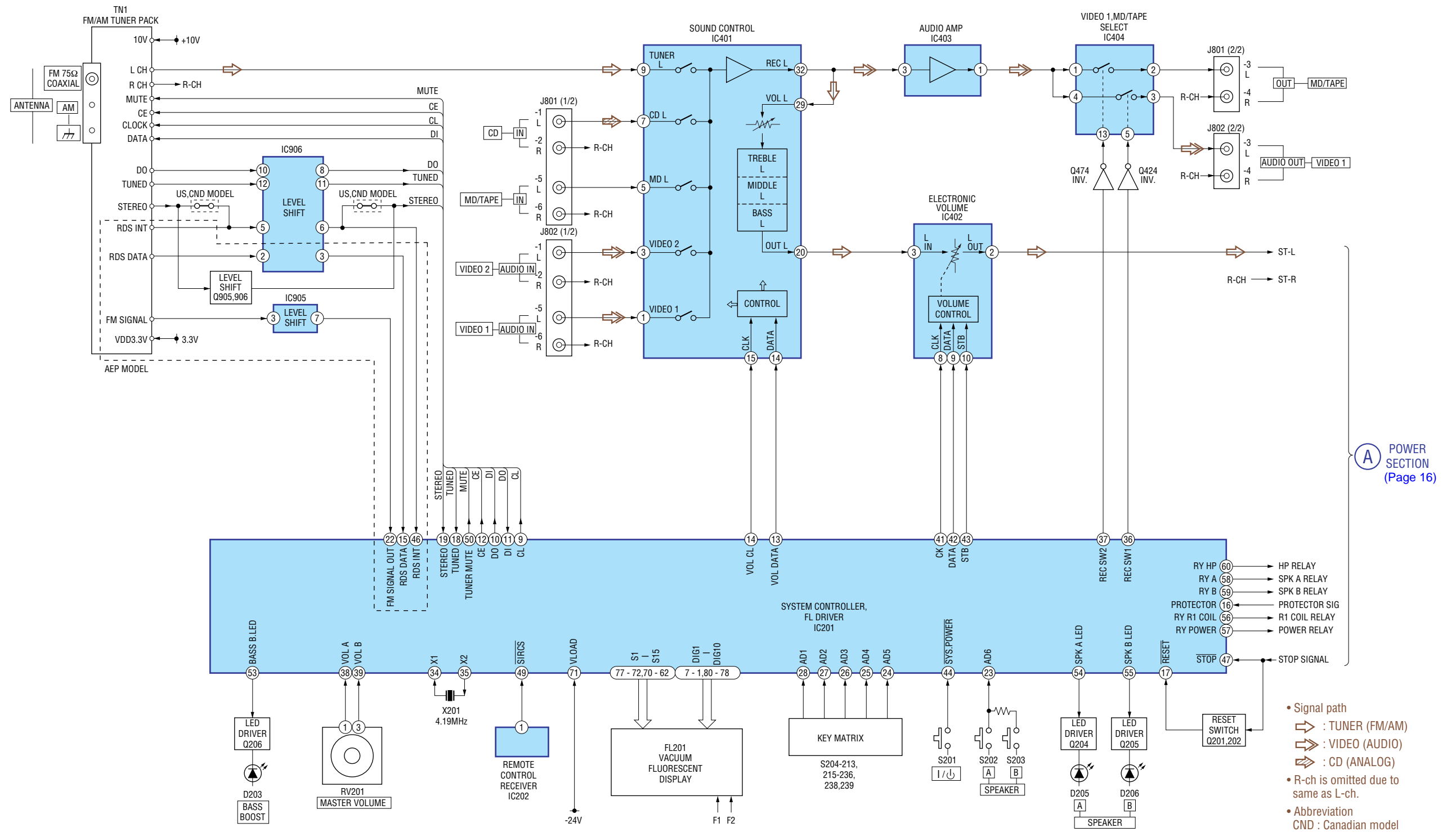
-  : B+ Line.
-  : B- Line.
- Voltage and waveforms are dc with respect to ground under no-signal (detuned) conditions.  
no mark : FM
- Voltages are taken with a VOM (Input impedance  $10\text{ M}\Omega$ ). Voltage variations may be noted due to normal production tolerances.
- Waveforms are taken with an oscilloscope. Voltage variations may be noted due to normal production tolerances.
- Circled numbers refer to waveforms.
- Signal path.  
 : TUNER (FM/AM)  
 : VIDEO (AUDIO)  
 : CD (ANALOG)
- Abbreviation  
CND : Canadian model.

**for printed wiring boards:**

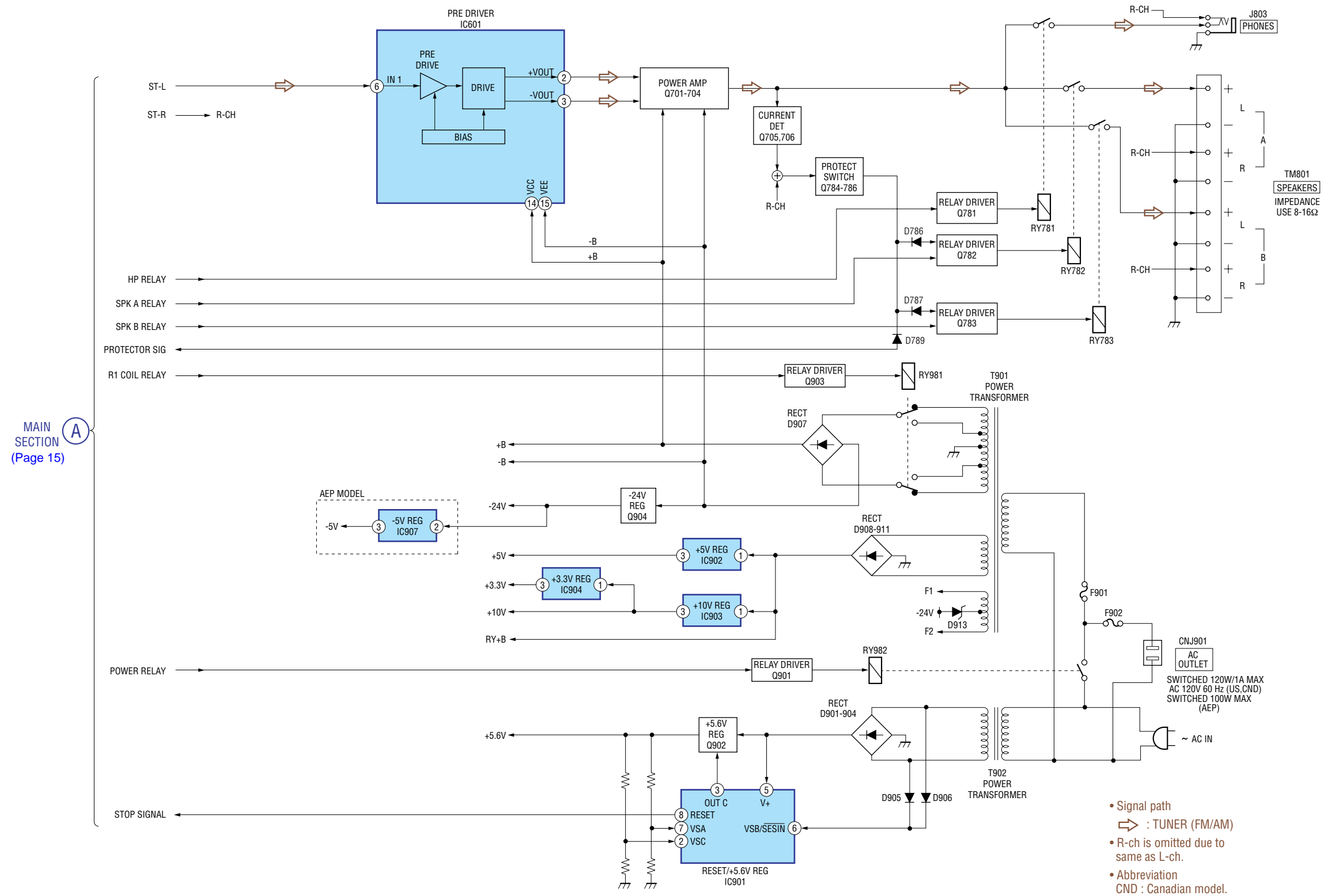
-  : parts extracted from the component side.
- $\triangle$  : internal component.
-  : Pattern from the side which enables seeing.
- Abbreviation  
CND : Canadian model.



4-3. BLOCK DIAGRAM — MAIN SECTION —

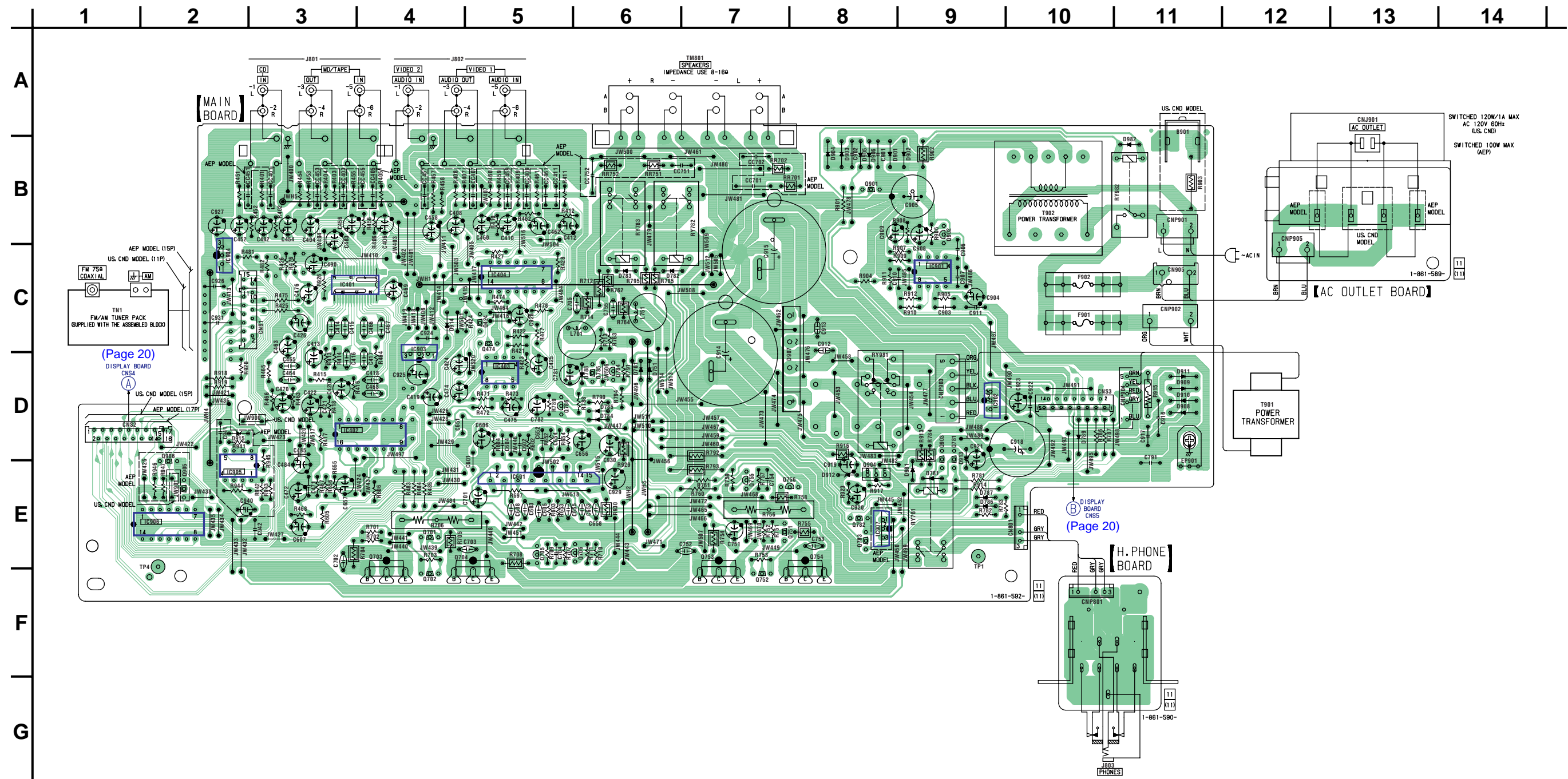


4-4. BLOCK DIAGRAM — POWER SECTION —





4-5. PRINTED WIRING BOARDS — MAIN SECTION — • Refer to page 13 for Circuit Boards Location and page 14 for Common Note on Printed Wiring Boards.

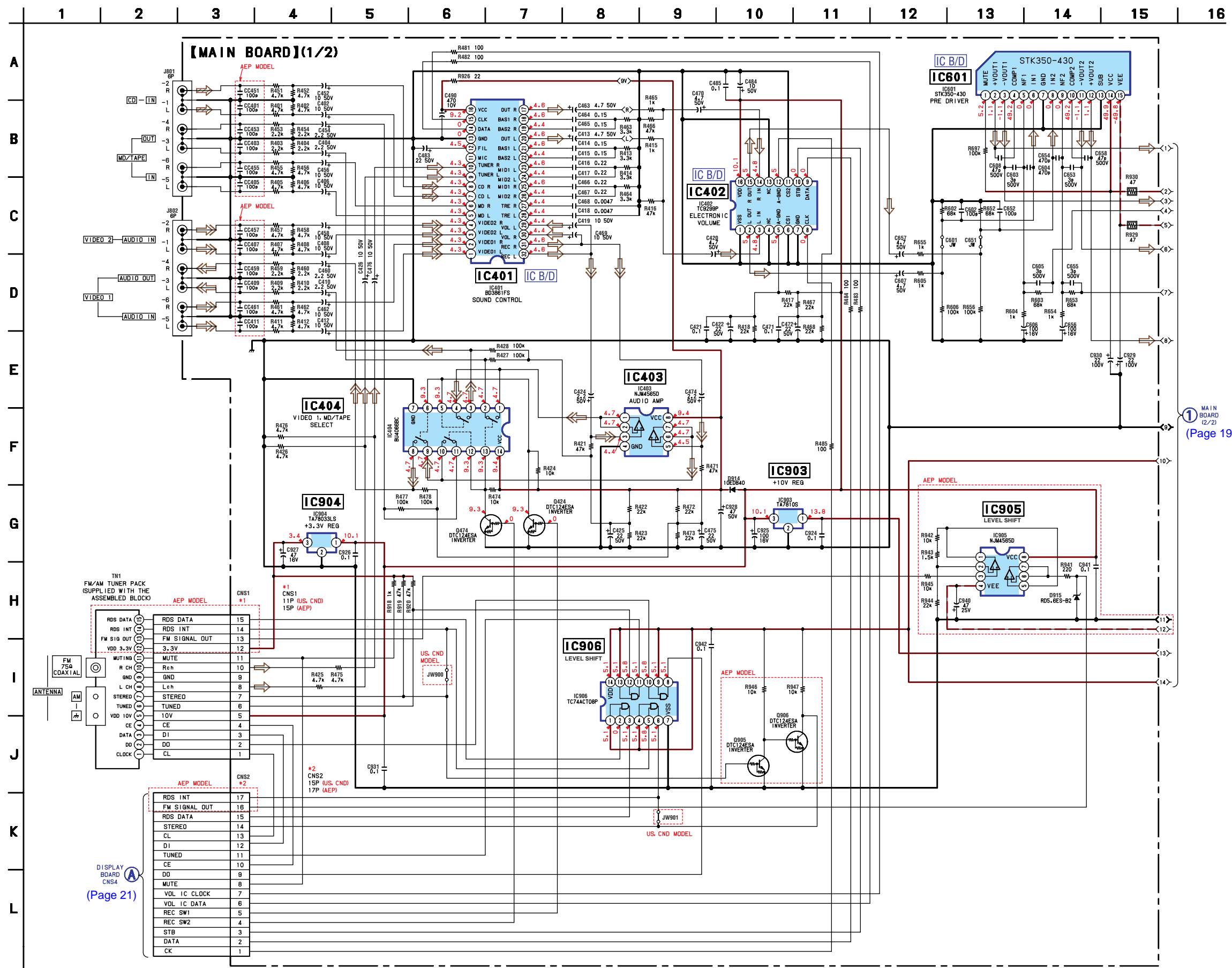


• Semiconductor Location

Ref. No.	Location	Ref. No.	Location	Ref. No.	Location	Ref. No.	Location
D701	D-6	D907	D-7	IC901	C-9	Q752	E-7
D751	D-6	D908	D-11	IC902	D-9	Q753	E-7
D781	E-9	D909	D-11	IC903	C-4	Q754	E-8
D782	C-6	D910	D-11	IC904	C-2	Q755	E-7
D783	C-6	D911	D-11	(IC905)	E-2	Q756	E-7
D784	D-6	D912	E-8	IC906	E-2	Q781	D-9
D785	D-6	D913	D-9	(IC907)	E-8	Q782	E-8
D786	E-9	D914	C-4			Q783	E-8
D787	E-9	(D915)	D-2	Q424	C-5	Q784	D-6
D788	D-6	D981	E-9	Q474	C-5	Q785	D-6
D789	D-10	D982	B-11	Q701	E-4	Q786	D-5
D901	B-8			Q702	F-4	Q901	B-8
D902	B-9	IC401	C-3	Q703	E-4	Q902	B-9
D903	D-9	IC402	D-3	Q704	E-4	Q903	D-9
D904	B-8	IC403	D-5	Q705	E-5	Q904	E-8
D905	B-8	IC404	C-5	Q706	E-6	(Q905)	E-2
D906	B-8	IC601	E-5	Q751	E-7	(Q906)	D-2

( ) : AEP model only

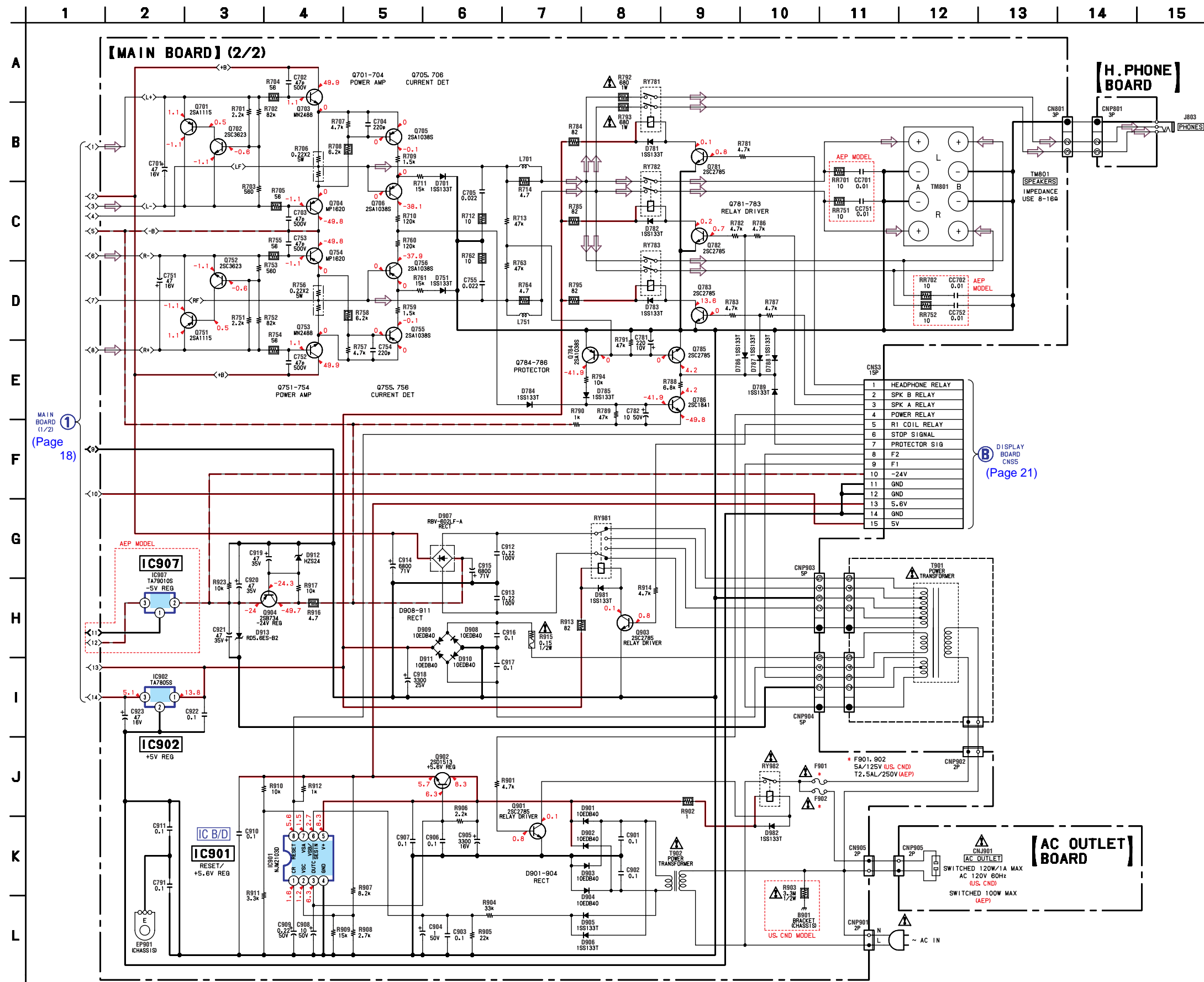
4-6. SCHEMATIC DIAGRAM — MAIN SECTION (1/2) — • Refer to page 14 for Common Note on Schematic Diagram and page 22 for IC Block Diagrams.



1 MAIN BOARD (2/2) (Page 19)

DISPLAY BOARD CNS4 (Page 21)

4-7. SCHEMATIC DIAGRAM — MAIN SECTION (2/2) — • Refer to page 14 for Common Note on Schematic Diagram and page 22 for IC Block Diagrams.



MAIN BOARD (1/2) (Page 18)

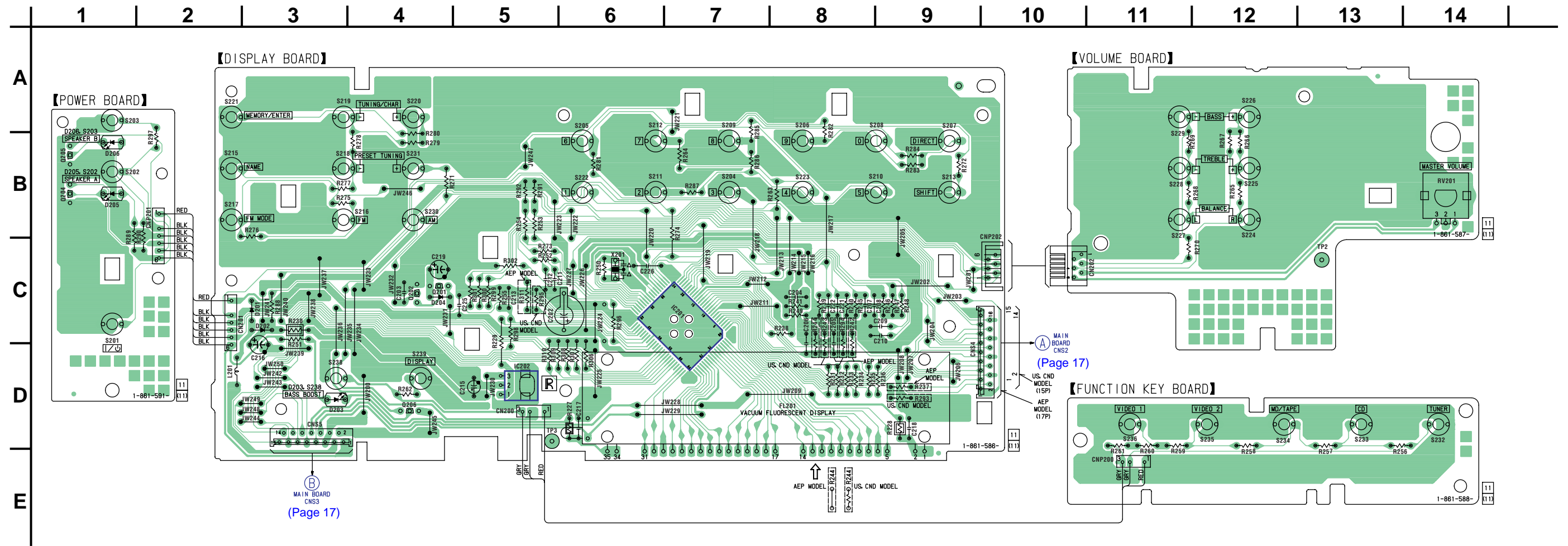
DISPLAY BOARD CNSS (Page 21)

The components identified by mark  $\Delta$  or dotted line with mark  $\Delta$  are critical for safety. Replace only with part number specified.

Les composants identifiés par une marque  $\Delta$  sont critiques pour la sécurité. Ne les remplacer que par une pièce portant le numéro spécifié.



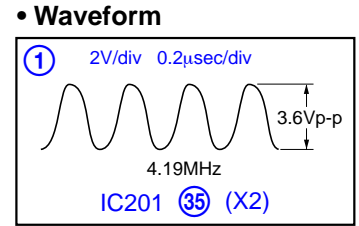
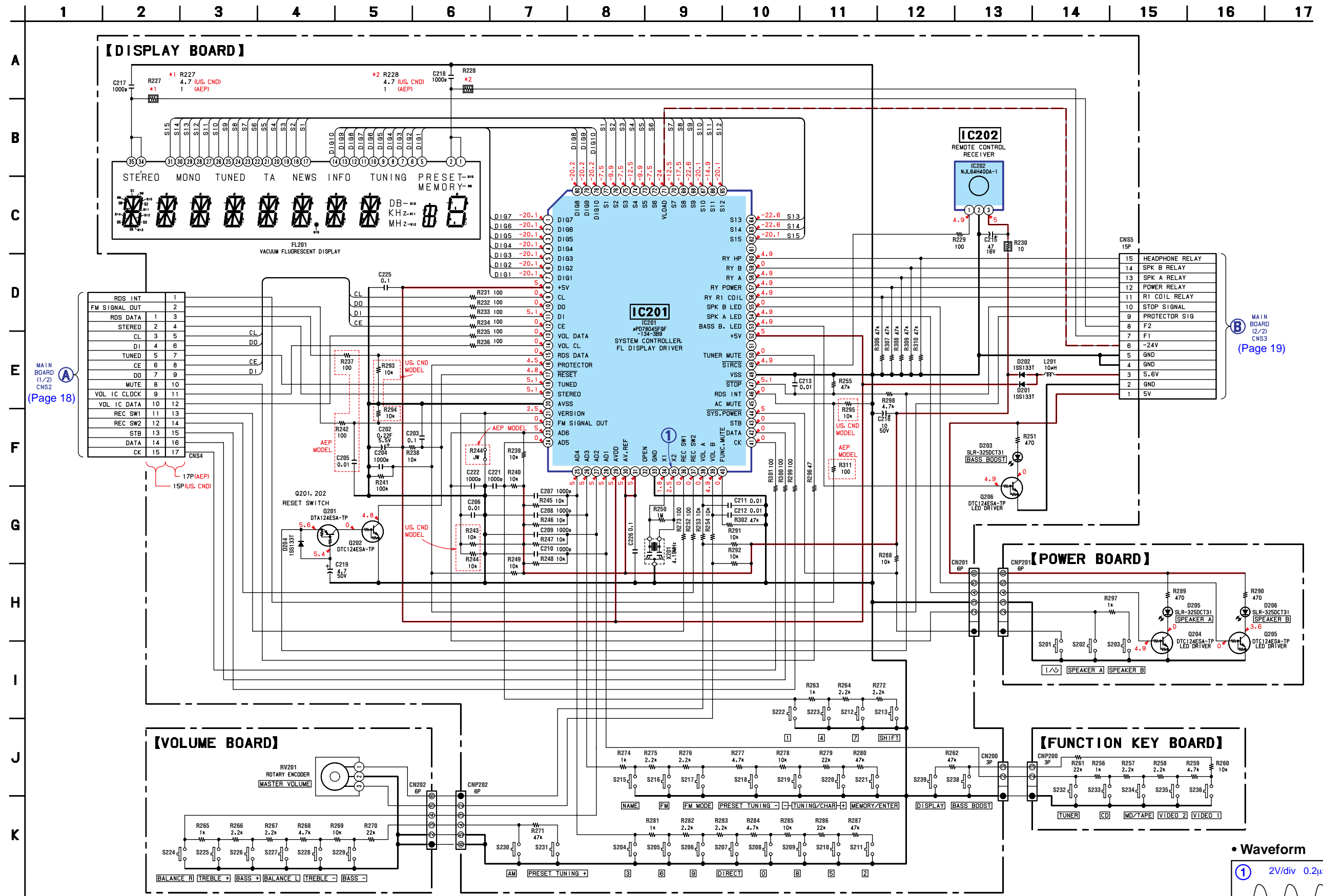
4-8. PRINTED WIRING BOARDS — PANEL SECTION — • Refer to page 13 for Circuit Boards Location and page 14 for Common Note on Printed Wiring Boards.



• Semiconductor Location

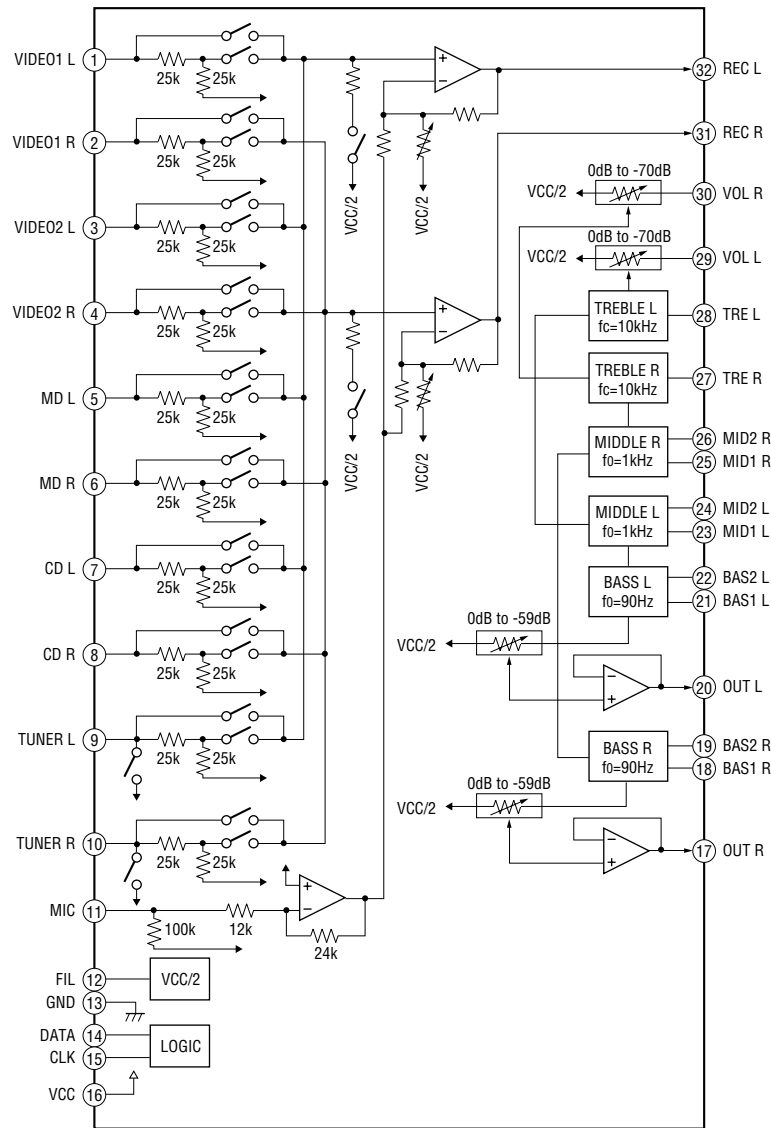
Ref. No.	Location
D201	C-3
D202	C-3
D203	D-3
D204	C-4
D205	B-1
D206	B-1
IC201	C-7
IC202	D-5
Q201	C-4
Q202	C-4
Q204	B-1
Q205	B-1
Q206	D-4

4-9. SCHEMATIC DIAGRAM — PANEL SECTION — • Refer to page 14 for Common Note on Schematic Diagram.

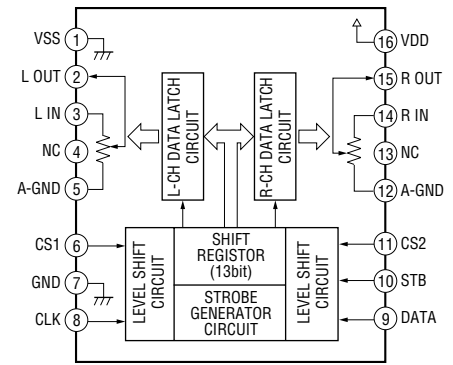


4-10. IC BLOCK DIAGRAMS

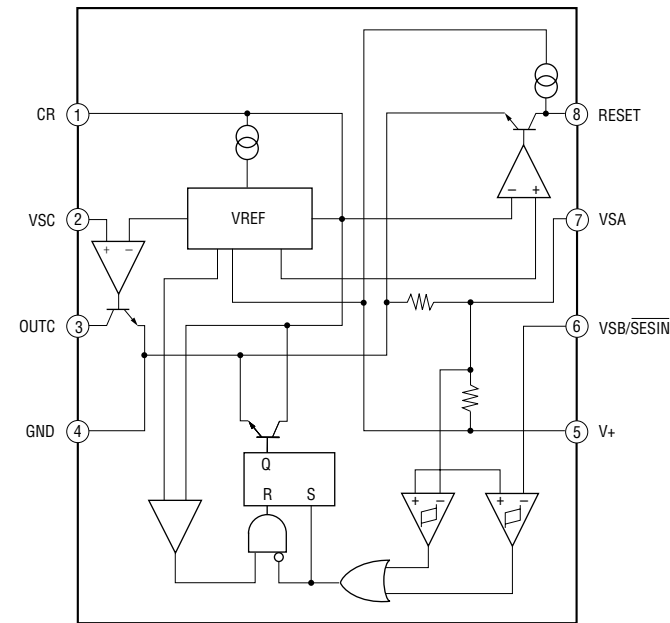
IC401 BD3861FS (MAIN BOARD (1/2))



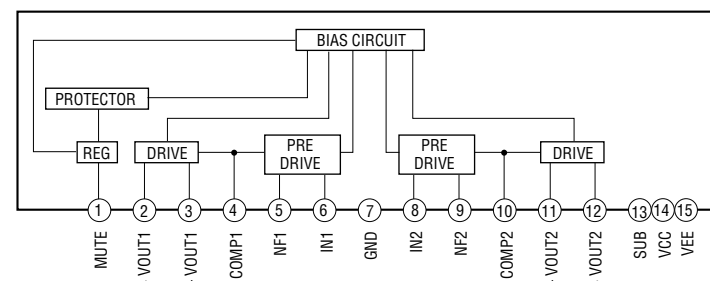
IC402 TC9299P (MAIN BOARD (1/2))



IC901 NJM2103D (MAIN BOARD (2/2))



IC601 STK350-430 (MAIN BOARD (1/2))



## SECTION 5 EXPLODED VIEWS

### NOTE:

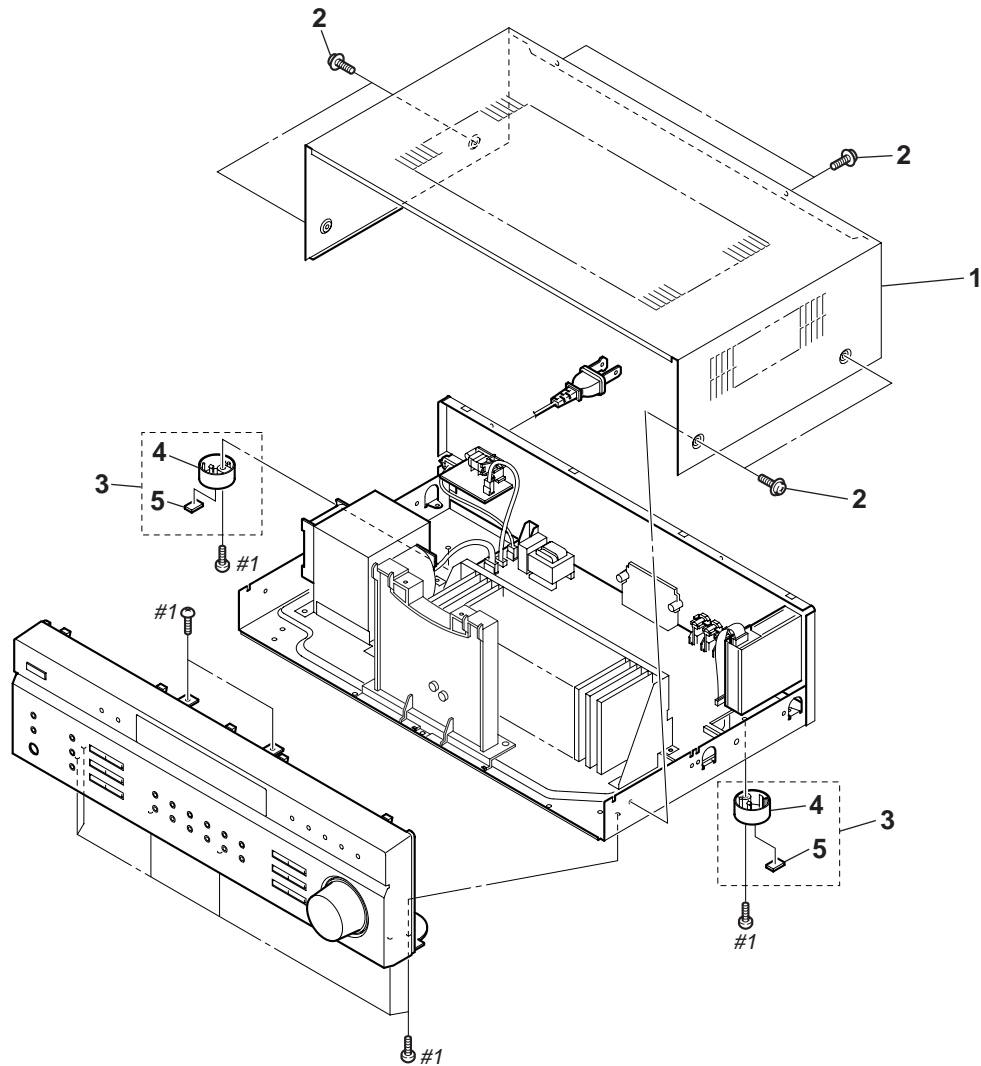
- The mechanical parts with no reference number in the exploded views are not supplied.
- Items marked “\*” are not stocked since they are seldom required for routine service. Some delay should be anticipated when ordering these items.
- -XX and -X mean standardized parts, so they may have some difference from the original one.

- Color Indication of Appearance Parts  
Example :  
      KNOB, BALANCE (WHITE) ... (RED)  
          ↑                  ↑  
      Parts Color Cabinet’s Color
- Accessories are given in the last of this parts list.
- Abbreviation  
CND : Canadian model

The components identified by mark  $\triangle$  or dotted line with mark  $\triangle$  are critical for safety. Replace only with part number specified.

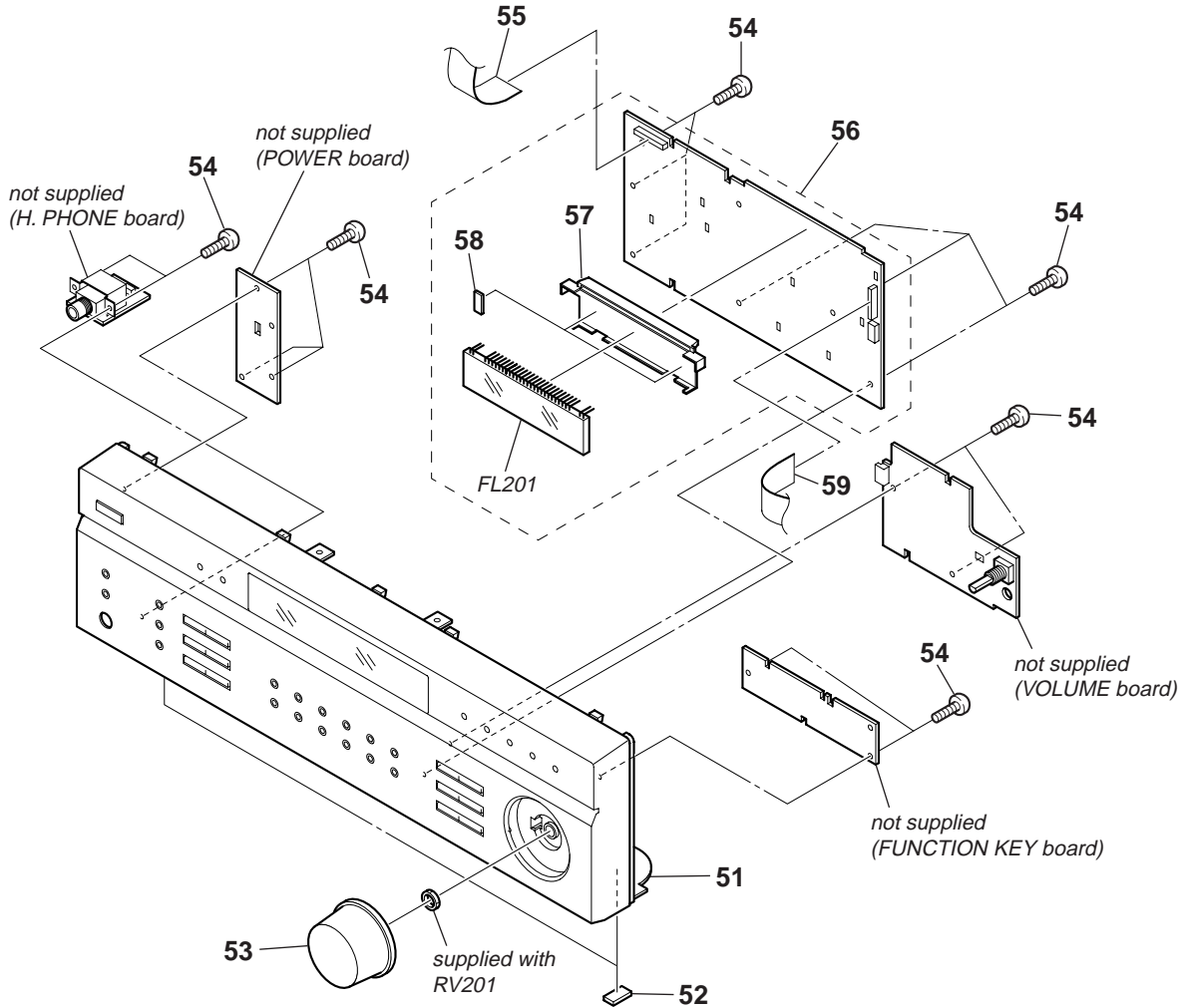
Les composants identifiés par une marque  $\triangle$  sont critiques pour la sécurité. Ne les remplacer que par une pièce portant le numéro spécifié.

### 5-1. CASE SECTION



Ref. No.	Part No.	Description	Remark	Ref. No.	Part No.	Description	Remark
1	4-252-402-01	CASE (BLACK)		3	X-4953-448-1	FOOT ASSY	
1	4-252-402-21	CASE (SILVER)		4	4-232-237-01	FOOT (DIA.30)	
1	4-252-402-41	CASE (SILVER:for Hair-line Finish)		5	4-977-358-01	CUSHION	
2	4-210-291-01	SCREW (CASE 3 TP2) (BLACK)		#1	7-685-646-79	SCREW +BVTP 3X8 TYPE2 IT-3	
2	4-210-291-11	SCREW (CASE 3 TP2) (SILVER)					

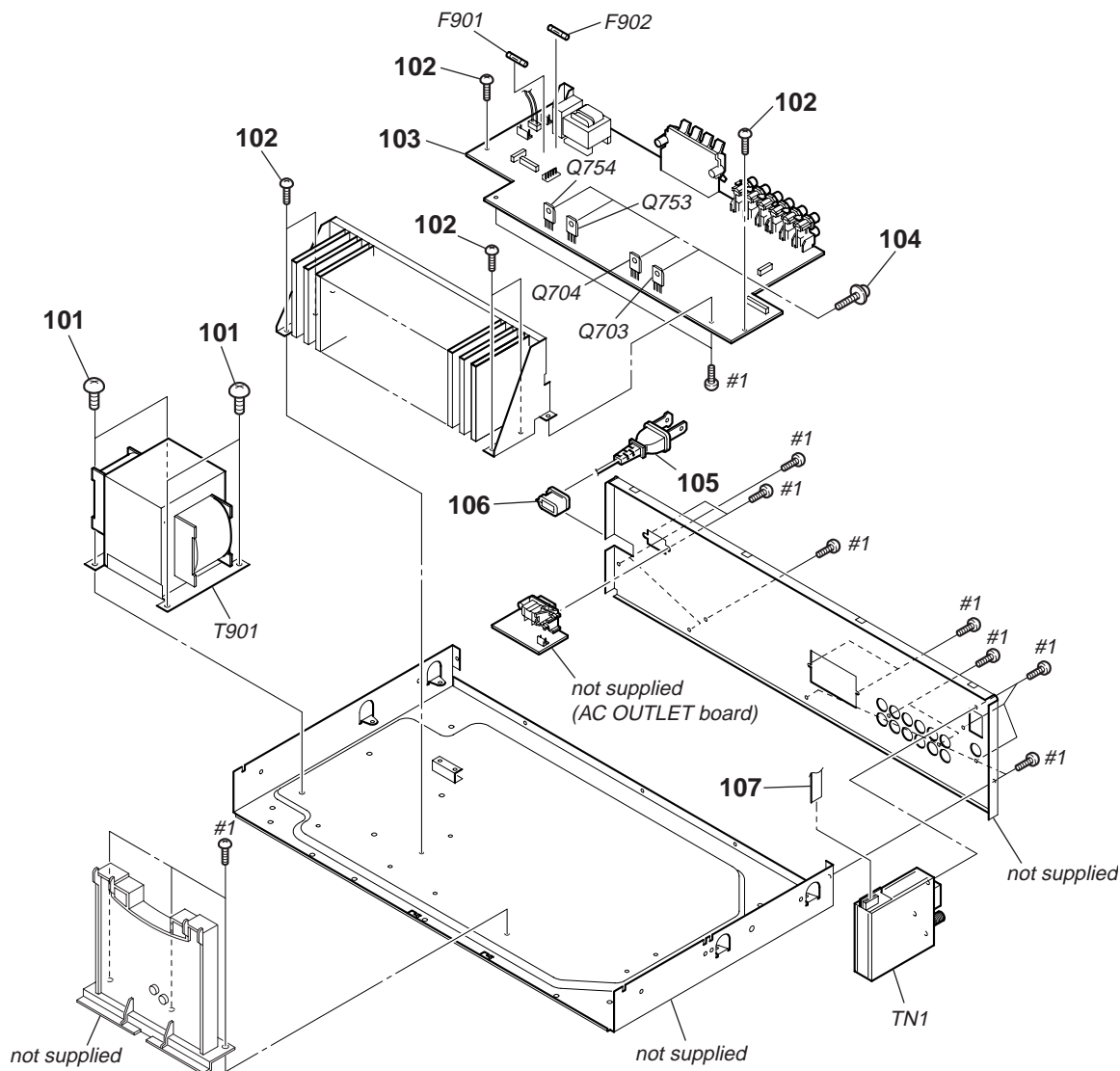
**5-2. FRONT PANEL SECTION**



Ref. No.	Part No.	Description	Remark	Ref. No.	Part No.	Description	Remark
51	X-2021-462-1	FRONT PANEL ASSY (BLACK) (CND)		54	4-951-620-01	SCREW (2.6X8), +BVTP	
51	X-2108-586-1	FRONT PANEL ASSY (SILVER:for Hair-line Finish) (AEP)		55	1-773-026-11	WIRE (FLAT TYPE) (15 CORE)	
51	X-4956-248-1	FRONT PANEL ASSY (BLACK) (US)		56	A-4751-164-A	DISPLAY BOARD, COMPLETE (US,CND)	
51	X-4956-259-1	FRONT PANEL ASSY (BLACK) (AEP)		56	A-4751-248-A	DISPLAY BOARD, COMPLETE (AEP)	
51	X-4956-260-1	FRONT PANEL ASSY (SILVER) (AEP)		* 57	4-943-107-11	HOLDER (FL TUBE)	
52	4-977-358-01	CUSHION		* 58	4-921-941-01	CUSHION (FL)	
53	4-232-113-01	KNOB (VOL) (BLACK)		59	1-773-026-11	WIRE (FLAT TYPE) (15 CORE) (US,CND)	
53	4-232-113-12	KNOB (VOL) (SILVER)		59	1-773-060-11	WIRE (FLAT TYPE) (17 CORE) (AEP)	
53	4-232-113-31	KNOB (VOL) (SILVER:for Hair-line Finish)		FL201	1-518-970-11	VACUUM FLUORESCENT DISPLAY	



5-3. CHASSIS SECTION



<p>The components identified by mark <math>\Delta</math> or dotted line with mark <math>\Delta</math> are critical for safety. Replace only with part number specified.</p>	<p>Les composants identifiés par une marque <math>\Delta</math> sont critiques pour la sécurité. Ne les remplacer que par une pièce portant le numéro spécifié.</p>
---	---

Ref. No.	Part No.	Description	Remark	Ref. No.	Part No.	Description	Remark
101	4-249-675-01	+BV SUMITITE S 4X6 ROUND		$\Delta$ F902	1-533-453-12	FUSE, GLASS TUBE (DIA.5) (5A/125V)	(US,CND)
102	3-970-608-01	SUMITITE (B3), +BV		$\Delta$ F902	1-533-469-12	FUSE, GLASS TUBE (DIA.5) (T2.5AL/250V)	(AEP)
103	A-4751-167-A	MAIN BOARD, COMPLETE (US,CND)		Q703	8-749-010-25	TRANSISTOR MN2488-OPY-M	
103	A-4751-247-A	MAIN BOARD, COMPLETE (AEP)		Q704	8-749-010-26	TRANSISTOR MP1620-OPY-M	
104	3-905-609-01	SCREW (TRANSISTOR)		Q753	8-749-010-25	TRANSISTOR MN2488-OPY-M	
$\Delta$ 105	1-777-071-23	CORD, POWER (AEP)		Q754	8-749-010-26	TRANSISTOR MP1620-OPY-M	
$\Delta$ 105	1-783-820-11	CORD, POWER (US,CND)		$\Delta$ T901	1-443-188-11	TRANSFORMER, POWER (US,CND)	
* 106	3-703-244-00	BUSHING (2104), CORD		$\Delta$ T901	1-443-189-11	TRANSFORMER, POWER (AEP)	
107	1-769-942-11	WIRE (FLAT TYPE) (11 CORE) (US,CND)		TN1	1-693-577-13	TUNER PACK (ANTENNA) (US,CND)	
107	1-773-006-11	WIRE (FLAT TYPE) (15 CORE) (AEP)		TN1	1-693-578-13	TUNER PACK (ANTENNA) (AEP)	
$\Delta$ F901	1-533-453-12	FUSE, GLASS TUBE (DIA.5) (5A/125V)	(US,CND)	#1	7-685-646-79	SCREW +BVTP 3X8 TYPE2 IT-3	(AEP)
$\Delta$ F901	1-533-469-12	FUSE, GLASS TUBE (DIA.5) (T2.5AL/250V)	(AEP)				

AC OUTLET

DISPLAY

SECTION 6  
ELECTRICAL PARTS LIST

NOTE:

- Due to standardization, replacements in the parts list may be different from the parts specified in the diagrams or the components used on the set.
- -XX and -X mean standardized parts, so they may have some difference from the original one.
- RESISTORS  
All resistors are in ohms.  
METAL: Metal-film resistor.  
METAL OXIDE: Metal oxide-film resistor.  
F: nonflammable
- Abbreviation  
CND : Canadian model

- Items marked "\*" are not stocked since they are seldom required for routine service. Some delay should be anticipated when ordering these items.
- SEMICONDUCTORS  
In each case, u :  $\mu$ , for example:  
uA.. :  $\mu$ A.. uPA.. :  $\mu$ PA..  
uPB.. :  $\mu$ PB.. uPC.. :  $\mu$ PC.. uPD.. :  $\mu$ PD..
- CAPACITORS  
uF :  $\mu$ F
- COILS  
uH :  $\mu$ H

The components identified by mark  $\Delta$  or dotted line with mark  $\Delta$  are critical for safety. Replace only with part number specified.

Les composants identifiés par une marque  $\Delta$  sont critiques pour la sécurité. Ne les remplacer que par une pièce portant le numéro spécifié.

When indicating parts by reference number, please include the board.

Ref. No.	Part No.	Description	Remark
		AC OUTLET BOARD *****	
		< AC OUTLET >	
$\Delta$ CNJ901	1-785-285-11	OUTLET, AC (1P) (AC OUTLET) (AEP)	
$\Delta$ CNJ901	1-785-834-11	OUTLET, AC (1P) (AC OUTLET) (US,CND)	
		< CONNECTOR >	
CNP905	1-564-321-00	PIN, CONNECTOR (3.96mm PITCH) 2P *****	
	A-4751-164-A	DISPLAY BOARD, COMPLETE (US,CND)	
	A-4751-248-A	DISPLAY BOARD, COMPLETE (AEP) *****	
*	4-921-941-01	CUSHION (FL)	
*	4-943-107-11	HOLDER (FL TUBE)	
		< CAPACITOR >	
C202	1-104-905-11	DOUBLE LAYERS 0.22F 5.5V	
C203	1-164-159-11	CERAMIC 0.1uF 50V	
C204	1-128-821-11	CERAMIC 0.001uF 5% 50V	
C205	1-127-876-11	CERAMIC 0.01uF 10% 50V	(AEP)
C206	1-127-876-11	CERAMIC 0.01uF 10% 50V	
C207	1-128-821-11	CERAMIC 0.001uF 5% 50V	
C208	1-128-821-11	CERAMIC 0.001uF 5% 50V	
C209	1-128-821-11	CERAMIC 0.001uF 5% 50V	
C210	1-128-821-11	CERAMIC 0.001uF 5% 50V	
C211	1-127-876-11	CERAMIC 0.01uF 10% 50V	
C212	1-127-876-11	CERAMIC 0.01uF 10% 50V	
C213	1-127-876-11	CERAMIC 0.01uF 10% 50V	
C215	1-126-947-11	ELECT 47uF 20% 35V	
C216	1-126-795-11	ELECT 10uF 20% 50V	
C217	1-128-821-11	CERAMIC 0.001uF 5% 50V	
C218	1-128-821-11	CERAMIC 0.001uF 5% 50V	
C219	1-126-794-11	ELECT 4.7uF 20% 50V	
C221	1-128-821-11	CERAMIC 0.001uF 5% 50V	
C222	1-128-821-11	CERAMIC 0.001uF 5% 50V	
C225	1-164-159-11	CERAMIC 0.1uF 50V	
C226	1-164-159-11	CERAMIC 0.1uF 50V	
		< CONNECTOR >	
CNP202	1-750-186-11	CONNECTOR, BOARD TO BOARD 6P	
CNS4	1-784-776-11	CONNECTOR, FFC 15P (US,CND)	

Ref. No.	Part No.	Description	Remark
CNS4	1-784-778-11	CONNECTOR, FFC 17P (AEP)	
CNS5	1-784-776-11	CONNECTOR, FFC 15P	
		< DIODE >	
D201	8-719-991-33	DIODE 1SS133T-77	
D202	8-719-991-33	DIODE 1SS133T-77	
D203	8-719-061-96	LED SLR-325DCT31 (BASS BOOST)	
D204	8-719-991-33	DIODE 1SS133T-77	
		< VACUUM FLUORESCENT DISPLAY >	
FL201	1-518-970-11	VACUUM FLUORESCENT DISPLAY	
		< IC >	
IC201	6-801-553-01	IC uPD78045FGF-134-3B9	
IC202	8-759-827-70	IC NJL64H400A-1 (IR)	
		< COIL >	
L201	1-410-509-11	INDUCTOR 10uH	
		< TRANSISTOR >	
Q201	8-729-029-40	TRANSISTOR DTA124ESA	
Q202	8-729-029-86	TRANSISTOR DTC124ESA	
Q206	8-729-029-86	TRANSISTOR DTC124ESA	
		< RESISTOR >	
R227	1-249-381-11	CARBON 1 5% 1/4W F (AEP)	
R227	1-249-389-11	CARBON 4.7 5% 1/4W F (US,CND)	
R228	1-249-381-11	CARBON 1 5% 1/4W F (AEP)	
R228	1-249-389-11	CARBON 4.7 5% 1/4W F (US,CND)	
R229	1-247-807-31	CARBON 100 5% 1/4W	
R230	1-249-393-11	CARBON 10 5% 1/4W F	
R231	1-247-807-31	CARBON 100 5% 1/4W	
R232	1-247-807-31	CARBON 100 5% 1/4W	
R233	1-247-807-31	CARBON 100 5% 1/4W	
R234	1-247-807-31	CARBON 100 5% 1/4W	
R235	1-247-807-31	CARBON 100 5% 1/4W	
R236	1-247-807-31	CARBON 100 5% 1/4W	
R237	1-247-807-31	CARBON 100 5% 1/4W (AEP)	
R238	1-249-429-11	CARBON 10K 5% 1/4W	
R239	1-249-429-11	CARBON 10K 5% 1/4W	

## DISPLAY

## FUNCTION KEY

Ref. No.	Part No.	Description	Remark	Ref. No.	Part No.	Description	Remark
R240	1-249-429-11	CARBON	10K 5% 1/4W	R311	1-247-807-31	CARBON 100 5% 1/4W	(AEP)
R241	1-247-879-11	CARBON	100K 5% 1/4W				
R242	1-247-807-31	CARBON	100 5% 1/4W				
			(AEP)			< SWITCH >	
R243	1-249-429-11	CARBON	10K 5% 1/4W	S204	1-771-410-21	SWITCH, TACTILE (3)	
			(US,CND)	S205	1-771-410-21	SWITCH, TACTILE (6)	
R244	1-249-429-11	CARBON	10K 5% 1/4W	S206	1-771-410-21	SWITCH, TACTILE (9)	
			(US,CND)	S207	1-771-410-21	SWITCH, TACTILE (DIRECT)	
R245	1-249-429-11	CARBON	10K 5% 1/4W	S208	1-771-410-21	SWITCH, TACTILE (0)	
R246	1-249-429-11	CARBON	10K 5% 1/4W				
R247	1-249-429-11	CARBON	10K 5% 1/4W	S209	1-771-410-21	SWITCH, TACTILE (8)	
R248	1-249-429-11	CARBON	10K 5% 1/4W	S210	1-771-410-21	SWITCH, TACTILE (5)	
R249	1-249-429-11	CARBON	10K 5% 1/4W	S211	1-771-410-21	SWITCH, TACTILE (2)	
				S212	1-771-410-21	SWITCH, TACTILE (7)	
R250	1-247-903-00	CARBON	1M 5% 1/4W	S213	1-771-410-21	SWITCH, TACTILE (SHIFT)	
R251	1-249-413-11	CARBON	470 5% 1/4W				
R252	1-247-807-31	CARBON	100 5% 1/4W	S215	1-771-410-21	SWITCH, TACTILE (NAME)	
R253	1-249-429-11	CARBON	10K 5% 1/4W	S216	1-771-410-21	SWITCH, TACTILE (FM)	
R254	1-249-429-11	CARBON	10K 5% 1/4W	S217	1-771-410-21	SWITCH, TACTILE (FM MODE)	
				S218	1-771-410-21	SWITCH, TACTILE (PRESET TUNING -)	
R255	1-247-871-11	CARBON	47K 5% 1/4W	S219	1-771-410-21	SWITCH, TACTILE (TUNING/CHAR -)	
R262	1-247-871-11	CARBON	47K 5% 1/4W				
R263	1-247-831-11	CARBON	1K 5% 1/4W	S220	1-771-410-21	SWITCH, TACTILE (TUNING/CHAR +)	
R264	1-249-421-11	CARBON	2.2K 5% 1/4W	S221	1-771-410-21	SWITCH, TACTILE (MEMORY/ENTER)	
R271	1-247-871-11	CARBON	47K 5% 1/4W	S222	1-771-410-21	SWITCH, TACTILE (1)	
				S223	1-771-410-21	SWITCH, TACTILE (4)	
R272	1-249-421-11	CARBON	2.2K 5% 1/4W	S230	1-771-410-21	SWITCH, TACTILE (AM)	
R273	1-247-807-31	CARBON	100 5% 1/4W				
R274	1-247-831-11	CARBON	1K 5% 1/4W	S231	1-771-410-21	SWITCH, TACTILE (PRESET TUNING +)	
R275	1-249-421-11	CARBON	2.2K 5% 1/4W	S238	1-771-410-21	SWITCH, TACTILE (BASS BOOST)	
R276	1-249-421-11	CARBON	2.2K 5% 1/4W	S239	1-771-410-21	SWITCH, TACTILE (DISPLAY)	
						< VIBRATOR >	
R277	1-247-847-11	CARBON	4.7K 5% 1/4W	X201	1-795-736-21	VIBRATOR, CERAMIC (4.19MHz)	
R278	1-249-429-11	CARBON	10K 5% 1/4W				
R279	1-247-863-11	CARBON	22K 5% 1/4W				
R280	1-247-871-11	CARBON	47K 5% 1/4W				
R281	1-247-831-11	CARBON	1K 5% 1/4W				
						FUNCTION KEY BOARD	
R282	1-249-421-11	CARBON	2.2K 5% 1/4W			*****	
R283	1-249-421-11	CARBON	2.2K 5% 1/4W				
R284	1-247-847-11	CARBON	4.7K 5% 1/4W			< RESISTOR >	
R285	1-249-429-11	CARBON	10K 5% 1/4W				
R286	1-247-863-11	CARBON	22K 5% 1/4W	R256	1-247-831-11	CARBON 1K 5% 1/4W	
				R257	1-249-421-11	CARBON 2.2K 5% 1/4W	
R287	1-247-871-11	CARBON	47K 5% 1/4W	R258	1-249-421-11	CARBON 2.2K 5% 1/4W	
R288	1-249-429-11	CARBON	10K 5% 1/4W	R259	1-247-847-11	CARBON 4.7K 5% 1/4W	
R291	1-249-429-11	CARBON	10K 5% 1/4W	R260	1-249-429-11	CARBON 10K 5% 1/4W	
R292	1-249-429-11	CARBON	10K 5% 1/4W				
R293	1-249-429-11	CARBON	10K 5% 1/4W	R261	1-247-863-11	CARBON 22K 5% 1/4W	
			(US,CND)				
						< SWITCH >	
R294	1-249-429-11	CARBON	10K 5% 1/4W	S232	1-771-410-21	SWITCH, TACTILE (TUNER)	
			(US,CND)	S233	1-771-410-21	SWITCH, TACTILE (CD)	
R295	1-249-429-11	CARBON	10K 5% 1/4W	S234	1-771-410-21	SWITCH, TACTILE (MD/TAPE)	
			(US,CND)	S235	1-771-410-21	SWITCH, TACTILE (VIDEO 2)	
R296	1-249-401-11	CARBON	47 5% 1/4W	S236	1-771-410-21	SWITCH, TACTILE (VIDEO 1)	
R298	1-247-847-11	CARBON	4.7K 5% 1/4W				
R299	1-247-807-31	CARBON	100 5% 1/4W				
						*****	
R300	1-247-807-31	CARBON	100 5% 1/4W				
R301	1-247-807-31	CARBON	100 5% 1/4W				
R302	1-247-871-11	CARBON	47K 5% 1/4W				
R306	1-247-871-11	CARBON	47K 5% 1/4W				
R307	1-247-871-11	CARBON	47K 5% 1/4W				
R308	1-247-871-11	CARBON	47K 5% 1/4W				
R309	1-247-871-11	CARBON	47K 5% 1/4W				
R310	1-247-871-11	CARBON	47K 5% 1/4W				

# STR-DE197

**H.PHONE**

**MAIN**

Ref. No.	Part No.	Description	Remark
		H.PHONE BOARD *****	
		< CONNECTOR >	
CNP801	1-691-765-11	PLUG (MICRO CONNECTOR) 3P	
		< JACK >	
J803	1-815-314-21	JACK (PHONES)	
		*****	
	A-4751-167-A	MAIN BOARD, COMPLETE (US,CND)	
	A-4751-247-A	MAIN BOARD, COMPLETE (AEP)	
		*****	
	1-533-217-41	HOLDER, FUSE	
		< CAPACITOR >	
C402	1-126-964-11	ELECT 10uF 20%	50V
C404	1-126-961-11	ELECT 2.2uF 20%	50V
C406	1-126-964-11	ELECT 10uF 20%	50V
C408	1-126-964-11	ELECT 10uF 20%	50V
C410	1-126-961-11	ELECT 2.2uF 20%	50V
C412	1-126-964-11	ELECT 10uF 20%	50V
C413	1-126-963-11	ELECT 4.7uF 20%	50V
C414	1-136-167-00	FILM 0.15uF 5%	50V
C415	1-136-167-00	FILM 0.15uF 5%	50V
C416	1-137-190-11	FILM 0.22uF 5%	50V
C417	1-137-190-11	FILM 0.22uF 5%	50V
C418	1-136-287-11	FILM 0.0047uF 5%	100V
C419	1-126-964-11	ELECT 10uF 20%	50V
C420	1-126-963-11	ELECT 4.7uF 20%	50V
C421	1-164-159-11	CERAMIC 0.1uF	50V
C422	1-126-965-11	ELECT 22uF 20%	50V
C424	1-126-961-11	ELECT 2.2uF 20%	50V
C425	1-126-965-11	ELECT 22uF 20%	50V
C426	1-126-964-11	ELECT 10uF 20%	50V
C452	1-126-964-11	ELECT 10uF 20%	50V
C454	1-126-961-11	ELECT 2.2uF 20%	50V
C456	1-126-964-11	ELECT 10uF 20%	50V
C458	1-126-964-11	ELECT 10uF 20%	50V
C460	1-126-961-11	ELECT 2.2uF 20%	50V
C462	1-126-964-11	ELECT 10uF 20%	50V
C463	1-126-963-11	ELECT 4.7uF 20%	50V
C464	1-136-167-00	FILM 0.15uF 5%	50V
C465	1-136-167-00	FILM 0.15uF 5%	50V
C466	1-137-190-11	FILM 0.22uF 5%	50V
C467	1-137-190-11	FILM 0.22uF 5%	50V
C468	1-136-287-11	FILM 0.0047uF 5%	100V
C469	1-126-964-11	ELECT 10uF 20%	50V
C470	1-126-963-11	ELECT 4.7uF 20%	50V
C471	1-164-159-11	CERAMIC 0.1uF	50V
C472	1-126-965-11	ELECT 22uF 20%	50V
C474	1-126-961-11	ELECT 2.2uF 20%	50V
C475	1-126-965-11	ELECT 22uF 20%	50V
C476	1-126-964-11	ELECT 10uF 20%	50V
C483	1-126-965-11	ELECT 22uF 20%	50V
C484	1-126-964-11	ELECT 10uF 20%	50V
C485	1-164-159-11	CERAMIC 0.1uF	50V

Ref. No.	Part No.	Description	Remark
C490	1-126-925-11	ELECT 470uF 20%	10V
C602	1-128-809-11	CERAMIC 100PF 5%	50V
C603	1-107-583-11	CERAMIC 3PF 0.25PF	500V
C604	1-128-817-11	CERAMIC 470PF 5%	50V
C605	1-107-583-11	CERAMIC 3PF 0.25PF	500V
C606	1-126-933-11	ELECT 100uF 20%	16V
C607	1-126-963-11	ELECT 4.7uF 20%	50V
C608	1-162-815-11	CERAMIC 47PF 5%	500V
C652	1-128-809-11	CERAMIC 100PF 5%	50V
C653	1-107-583-11	CERAMIC 3PF 0.25PF	500V
C654	1-128-817-11	CERAMIC 470PF 5%	50V
C655	1-107-583-11	CERAMIC 3PF 0.25PF	500V
C656	1-126-933-11	ELECT 100uF 20%	16V
C657	1-126-963-11	ELECT 4.7uF 20%	50V
C658	1-162-815-11	CERAMIC 47PF 5%	500V
C701	1-126-947-11	ELECT 47uF 20%	35V
C702	1-162-815-11	CERAMIC 47PF 5%	500V
C703	1-162-815-11	CERAMIC 47PF 5%	500V
C704	1-128-813-11	CERAMIC 220PF 5%	50V
C705	1-137-372-11	MYLAR 0.022uF 5%	50V
C751	1-126-947-11	ELECT 47uF 20%	35V
C752	1-162-815-11	CERAMIC 47PF 5%	500V
C753	1-162-815-11	CERAMIC 47PF 5%	500V
C754	1-128-813-11	CERAMIC 220PF 5%	50V
C755	1-137-372-11	MYLAR 0.022uF 5%	50V
C781	1-126-923-11	ELECT 220uF 20%	10V
C782	1-126-964-11	ELECT 10uF 20%	50V
C791	1-164-159-11	CERAMIC 0.1uF	50V
C901	1-164-159-11	CERAMIC 0.1uF	50V
C902	1-164-159-11	CERAMIC 0.1uF	50V
C903	1-164-159-11	CERAMIC 0.1uF	50V
C904	1-126-960-11	ELECT 1uF 20%	50V
C905	1-126-936-11	ELECT 3300uF 20%	16V
C906	1-164-159-11	CERAMIC 0.1uF	50V
C907	1-164-159-11	CERAMIC 0.1uF	50V
C908	1-126-964-11	ELECT 10uF 20%	50V
C909	1-126-957-11	ELECT 0.22uF 20%	50V
C910	1-164-159-11	CERAMIC 0.1uF	50V
C911	1-164-159-11	CERAMIC 0.1uF	50V
C912	1-135-851-21	MYLAR 0.22uF	100V
C913	1-135-851-21	MYLAR 0.22uF	100V
C914	1-165-946-11	ELECT 6800uF 20%	71V
C915	1-165-946-11	ELECT 6800uF 20%	71V
C916	1-164-159-11	CERAMIC 0.1uF	50V
C917	1-164-159-11	CERAMIC 0.1uF	50V
C918	1-126-944-11	ELECT 3300uF 20%	25V
C919	1-126-947-11	ELECT 47uF 20%	35V
C920	1-126-947-11	ELECT 47uF 20%	35V
C921	1-126-947-11	ELECT 47uF 20%	35V
C922	1-164-159-11	CERAMIC 0.1uF	50V
C923	1-126-947-11	ELECT 47uF 20%	35V
C924	1-164-159-11	CERAMIC 0.1uF	50V
C925	1-126-933-11	ELECT 100uF 20%	16V
C926	1-164-159-11	CERAMIC 0.1uF	50V
C927	1-126-947-11	ELECT 47uF 20%	35V
C928	1-126-967-11	ELECT 47uF 20%	50V
C929	1-128-560-11	ELECT 22uF 20%	100V
C930	1-128-560-11	ELECT 22uF 20%	100V

Ref. No.	Part No.	Description	Remark	Ref. No.	Part No.	Description	Remark
C931	1-164-159-11	CERAMIC	0.1uF	50V	D789	8-719-991-33	DIODE 1SS133T-77
C940	1-126-947-11	ELECT	47uF	20% 35V	D901	6-500-522-11	DIODE 10EDB40-TA2B5
				(AEP)	D902	6-500-522-11	DIODE 10EDB40-TA2B5
C941	1-164-159-11	CERAMIC	0.1uF	50V	D903	6-500-522-11	DIODE 10EDB40-TA2B5
				(AEP)	D904	6-500-522-11	DIODE 10EDB40-TA2B5
C942	1-164-159-11	CERAMIC	0.1uF	50V	D905	8-719-991-33	DIODE 1SS133T-77
CC401	1-128-809-11	CERAMIC	100PF	5% 50V	D906	8-719-991-33	DIODE 1SS133T-77
				(AEP)	D907	8-719-072-05	DIODE RBV-602LF-A
CC403	1-128-809-11	CERAMIC	100PF	5% 50V	D908	6-500-522-11	DIODE 10EDB40-TA2B5
				(AEP)	D909	6-500-522-11	DIODE 10EDB40-TA2B5
CC405	1-128-809-11	CERAMIC	100PF	5% 50V	D910	6-500-522-11	DIODE 10EDB40-TA2B5
				(AEP)	D911	6-500-522-11	DIODE 10EDB40-TA2B5
CC407	1-128-809-11	CERAMIC	100PF	5% 50V	D912	8-719-986-54	DIODE HZS24-1LTA
				(AEP)	D913	8-719-109-89	DIODE RD5.6ESB2
CC409	1-128-809-11	CERAMIC	100PF	5% 50V	D914	6-500-522-11	DIODE 10EDB40-TA2B5
				(AEP)	D915	8-719-109-89	DIODE RD5.6ESB2 (AEP)
CC411	1-128-809-11	CERAMIC	100PF	5% 50V	D981	8-719-991-33	DIODE 1SS133T-77
				(AEP)	D982	8-719-991-33	DIODE 1SS133T-77
CC451	1-128-809-11	CERAMIC	100PF	5% 50V			< EARTH TERMINAL >
				(AEP)	* EP901	1-537-738-21	TERMINAL, EARTH
CC453	1-128-809-11	CERAMIC	100PF	5% 50V			< IC >
				(AEP)	IC401	6-700-261-01	IC BD3861FS
CC455	1-128-809-11	CERAMIC	100PF	5% 50V	IC402	8-759-534-63	IC TC9299P
				(AEP)	IC403	8-759-167-88	IC NJM4565D
CC457	1-128-809-11	CERAMIC	100PF	5% 50V	IC404	8-759-932-33	IC BU4066BC
				(AEP)	IC601	6-705-630-01	IC STK350-430
CC459	1-128-809-11	CERAMIC	100PF	5% 50V	IC901	8-759-333-83	IC NJM2103D
				(AEP)	IC902	8-759-231-53	IC TA7805S
CC461	1-128-809-11	CERAMIC	100PF	5% 50V	IC903	8-759-231-57	IC TA7810S
				(AEP)	IC904	6-702-771-01	IC TA78033LS
CC701	1-127-876-11	CERAMIC	0.01uF	10% 50V	IC905	8-759-167-88	IC NJM4565D (AEP)
				(AEP)	IC906	8-759-243-51	IC TC74ACT08P
CC702	1-127-876-11	CERAMIC	0.01uF	10% 50V	IC907	8-759-245-84	IC TA79010S (AEP)
				(AEP)			< JACK >
CC751	1-127-876-11	CERAMIC	0.01uF	10% 50V	J801	1-774-411-11	JACK, PIN 6P (CD IN,MD/TAPE OUT,
				(AEP)			MD/TAPE IN)
CC752	1-127-876-11	CERAMIC	0.01uF	10% 50V	J802	1-774-411-11	JACK, PIN 6P (VIDEO 2 AUDIO IN,
				(AEP)			VIDEO 1 AUDIO OUT/AUDIO IN)
							< COIL >
					L701	1-420-872-52	COIL, AIR-CORE
					L751	1-420-872-52	COIL, AIR-CORE
							< TRANSISTOR >
					Q424	8-729-029-86	TRANSISTOR DTC124ESA
					Q474	8-729-029-86	TRANSISTOR DTC124ESA
					Q701	8-729-119-76	TRANSISTOR 2SA1175-HFE
					Q702	8-729-141-30	TRANSISTOR 2SC3623A-LK
					Q705	8-729-042-09	TRANSISTOR 2SA1038S-RSE-TP
					Q706	8-729-042-09	TRANSISTOR 2SA1038S-RSE-TP
					Q751	8-729-119-76	TRANSISTOR 2SA1175-HFE
					Q752	8-729-141-30	TRANSISTOR 2SC3623A-LK
					Q755	8-729-042-09	TRANSISTOR 2SA1038S-RSE-TP
					Q756	8-729-042-09	TRANSISTOR 2SA1038S-RSE-TP
D701	8-719-991-33	DIODE 1SS133T-77					
D751	8-719-991-33	DIODE 1SS133T-77					
D781	8-719-991-33	DIODE 1SS133T-77					
D782	8-719-991-33	DIODE 1SS133T-77					
D783	8-719-991-33	DIODE 1SS133T-77					
D784	8-719-991-33	DIODE 1SS133T-77					
D785	8-719-991-33	DIODE 1SS133T-77					
D786	8-719-991-33	DIODE 1SS133T-77					
D787	8-719-991-33	DIODE 1SS133T-77					
D788	8-719-991-33	DIODE 1SS133T-77					
< CONNECTOR >							
CNP901	1-564-321-00	PIN, CONNECTOR (3.96mm PITCH) 2P					
* CNP902	1-565-792-11	PIN, CONNECTOR (3.96mm PITCH) 2P					
* CNP903	1-564-242-00	PIN, CONNECTOR (3.96mm PITCH) 5P					
CNP904	1-691-767-11	PLUG (MICRO CONNECTOR) 5P					
CNS1	1-568-830-11	CONNECTOR, FFC 11P (US,CND)					
CNS1	1-784-776-11	CONNECTOR, FFC 15P (AEP)					
CNS2	1-784-776-11	CONNECTOR, FFC 15P (US,CND)					
CNS2	1-784-778-11	CONNECTOR, FFC 17P (AEP)					
CNS3	1-784-776-11	CONNECTOR, FFC 15P					
< DIODE >							

Ref. No.	Part No.	Description	Remark	Ref. No.	Part No.	Description	Remark
Q781	8-729-119-79	TRANSISTOR 2SC2785-FEK		R471	1-247-871-11	CARBON 47K 5%	1/4W
Q782	8-729-119-79	TRANSISTOR 2SC2785-FEK		R472	1-247-863-11	CARBON 22K 5%	1/4W
Q783	8-729-119-79	TRANSISTOR 2SC2785-FEK		R473	1-247-863-11	CARBON 22K 5%	1/4W
Q784	8-729-042-09	TRANSISTOR 2SA1038S-RSE-TP		R474	1-249-429-11	CARBON 10K 5%	1/4W
Q785	8-729-119-79	TRANSISTOR 2SC2785-FEK		R475	1-247-847-11	CARBON 4.7K 5%	1/4W
Q786	8-729-140-84	TRANSISTOR 2SC1841-PAFAEA		R476	1-247-847-11	CARBON 4.7K 5%	1/4W
Q901	8-729-119-79	TRANSISTOR 2SC2785-FEK		R477	1-247-879-11	CARBON 100K 5%	1/4W
Q902	8-729-045-21	TRANSISTOR 2SD1513TP-LK		R478	1-247-879-11	CARBON 100K 5%	1/4W
Q903	8-729-119-79	TRANSISTOR 2SC2785-FEK		R481	1-247-807-31	CARBON 100 5%	1/4W
Q904	8-729-140-97	TRANSISTOR 2SB734-34		R482	1-247-807-31	CARBON 100 5%	1/4W
Q905	8-729-029-86	TRANSISTOR DTC124ESA (AEP)		R483	1-247-807-31	CARBON 100 5%	1/4W
Q906	8-729-029-86	TRANSISTOR DTC124ESA (AEP)		R484	1-247-807-31	CARBON 100 5%	1/4W
		< RESISTOR >		R485	1-247-807-31	CARBON 100 5%	1/4W
R401	1-247-847-11	CARBON 4.7K 5%	1/4W	R602	1-249-439-11	CARBON 68K 5%	1/4W
R402	1-247-847-11	CARBON 4.7K 5%	1/4W	R603	1-249-439-11	CARBON 68K 5%	1/4W
R403	1-249-421-11	CARBON 2.2K 5%	1/4W	R604	1-247-831-11	CARBON 1K 5%	1/4W
R404	1-249-421-11	CARBON 2.2K 5%	1/4W	R605	1-247-831-11	CARBON 1K 5%	1/4W
R405	1-247-847-11	CARBON 4.7K 5%	1/4W	R606	1-247-879-11	CARBON 100K 5%	1/4W
R406	1-247-847-11	CARBON 4.7K 5%	1/4W	R652	1-249-439-11	CARBON 68K 5%	1/4W
R407	1-247-847-11	CARBON 4.7K 5%	1/4W	R653	1-249-439-11	CARBON 68K 5%	1/4W
R408	1-247-847-11	CARBON 4.7K 5%	1/4W	R654	1-247-831-11	CARBON 1K 5%	1/4W
R409	1-249-421-11	CARBON 2.2K 5%	1/4W	R655	1-247-831-11	CARBON 1K 5%	1/4W
R410	1-249-421-11	CARBON 2.2K 5%	1/4W	R656	1-247-879-11	CARBON 100K 5%	1/4W
R411	1-247-847-11	CARBON 4.7K 5%	1/4W	R697	1-247-879-11	CARBON 100K 5%	1/4W
R412	1-247-847-11	CARBON 4.7K 5%	1/4W	R701	1-249-421-11	CARBON 2.2K 5%	1/4W
R413	1-247-843-11	CARBON 3.3K 5%	1/4W	R702	1-249-440-11	CARBON 82K 5%	1/4W
R414	1-247-843-11	CARBON 3.3K 5%	1/4W	R703	1-249-414-11	CARBON 560 5%	1/4W
R415	1-247-831-11	CARBON 1K 5%	1/4W	R704	1-249-402-11	CARBON 56 5%	1/4W F
R416	1-247-871-11	CARBON 47K 5%	1/4W	R705	1-249-402-11	CARBON 56 5%	1/4W F
R417	1-247-863-11	CARBON 22K 5%	1/4W	R706	1-234-182-11	ENCAPSULATED COMPONENT 0.22X2 5W	
R418	1-247-863-11	CARBON 22K 5%	1/4W	R707	1-247-847-11	CARBON 4.7K 5%	1/4W
R421	1-247-871-11	CARBON 47K 5%	1/4W	R708	1-240-855-81	CARBON 6.2K 5%	1/4W F
R422	1-247-863-11	CARBON 22K 5%	1/4W	R709	1-249-419-11	CARBON 1.5K 5%	1/4W
R423	1-247-863-11	CARBON 22K 5%	1/4W	R710	1-247-881-00	CARBON 120K 5%	1/4W
R424	1-249-429-11	CARBON 10K 5%	1/4W	R711	1-249-431-11	CARBON 15K 5%	1/4W
R425	1-247-847-11	CARBON 4.7K 5%	1/4W	R712	1-249-393-11	CARBON 10 5%	1/4W F
R426	1-247-847-11	CARBON 4.7K 5%	1/4W	R713	1-247-871-11	CARBON 47K 5%	1/4W
R427	1-247-879-11	CARBON 100K 5%	1/4W	R714	1-249-389-11	CARBON 4.7 5%	1/4W F
R428	1-247-879-11	CARBON 100K 5%	1/4W	R751	1-249-421-11	CARBON 2.2K 5%	1/4W
R451	1-247-847-11	CARBON 4.7K 5%	1/4W	R752	1-249-440-11	CARBON 82K 5%	1/4W
R452	1-247-847-11	CARBON 4.7K 5%	1/4W	R753	1-249-414-11	CARBON 560 5%	1/4W
R453	1-249-421-11	CARBON 2.2K 5%	1/4W	R754	1-249-402-11	CARBON 56 5%	1/4W F
R454	1-249-421-11	CARBON 2.2K 5%	1/4W	R755	1-249-402-11	CARBON 56 5%	1/4W F
R455	1-247-847-11	CARBON 4.7K 5%	1/4W	R756	1-234-182-11	ENCAPSULATED COMPONENT 0.22X2 5W	
R456	1-247-847-11	CARBON 4.7K 5%	1/4W	R757	1-247-847-11	CARBON 4.7K 5%	1/4W
R457	1-247-847-11	CARBON 4.7K 5%	1/4W	R758	1-240-855-81	CARBON 6.2K 5%	1/4W F
R458	1-247-847-11	CARBON 4.7K 5%	1/4W	R759	1-249-419-11	CARBON 1.5K 5%	1/4W
R459	1-249-421-11	CARBON 2.2K 5%	1/4W	R760	1-247-881-00	CARBON 120K 5%	1/4W
R460	1-249-421-11	CARBON 2.2K 5%	1/4W	R761	1-249-431-11	CARBON 15K 5%	1/4W
R461	1-247-847-11	CARBON 4.7K 5%	1/4W	R762	1-249-393-11	CARBON 10 5%	1/4W F
R462	1-247-847-11	CARBON 4.7K 5%	1/4W	R763	1-247-871-11	CARBON 47K 5%	1/4W
R463	1-247-843-11	CARBON 3.3K 5%	1/4W	R764	1-249-389-11	CARBON 4.7 5%	1/4W F
R464	1-247-843-11	CARBON 3.3K 5%	1/4W	R781	1-247-847-11	CARBON 4.7K 5%	1/4W
R465	1-247-831-11	CARBON 1K 5%	1/4W	R782	1-247-847-11	CARBON 4.7K 5%	1/4W
R466	1-247-871-11	CARBON 47K 5%	1/4W	R783	1-247-847-11	CARBON 4.7K 5%	1/4W
R467	1-247-863-11	CARBON 22K 5%	1/4W	R784	1-249-404-00	CARBON 82 5%	1/4W F
R468	1-247-863-11	CARBON 22K 5%	1/4W	R785	1-249-404-00	CARBON 82 5%	1/4W F
				R786	1-247-847-11	CARBON 4.7K 5%	1/4W

MAIN

POWER

VOLUME

Ref. No.	Part No.	Description	Remark	Ref. No.	Part No.	Description	Remark
R787	1-247-847-11	CARBON	4.7K 5%	1/4W			
R788	1-249-427-11	CARBON	6.8K 5%	1/4W			
R789	1-247-871-11	CARBON	47K 5%	1/4W			
R790	1-247-831-11	CARBON	1K 5%	1/4W			
R791	1-247-871-11	CARBON	47K 5%	1/4W			
△ R792	1-215-868-00	METAL OXIDE	680 5%	1W F	△ T902	1-435-281-11	TRANSFORMER, POWER (US,CND)
△ R793	1-215-868-00	METAL OXIDE	680 5%	1W F	△ T902	1-435-282-11	TRANSFORMER, POWER (AEP)
R794	1-249-429-11	CARBON	10K 5%	1/4W			
R795	1-249-404-00	CARBON	82 5%	1/4W F			
R901	1-247-847-11	CARBON	4.7K 5%	1/4W			
R902	1-249-381-11	CARBON	1 5%	1/4W F			
△ R903	1-219-237-11	SOLID	3.3M 20%	1/2W F (US,CND)			
R904	1-249-435-11	CARBON	33K 5%	1/4W			
R905	1-247-863-11	CARBON	22K 5%	1/4W			
R906	1-249-421-11	CARBON	2.2K 5%	1/4W			
R907	1-249-428-11	CARBON	8.2K 5%	1/4W			
R908	1-249-422-11	CARBON	2.7K 5%	1/4W			
R909	1-249-431-11	CARBON	15K 5%	1/4W			
R910	1-249-429-11	CARBON	10K 5%	1/4W			
R911	1-247-843-11	CARBON	3.3K 5%	1/4W			
R912	1-247-831-11	CARBON	1K 5%	1/4W			
R913	1-249-404-00	CARBON	82 5%	1/4W F			
R914	1-247-847-11	CARBON	4.7K 5%	1/4W			
△ R915	1-240-877-11	FUSIBLE	0.15 5%	1/2W F			
R916	1-249-389-11	CARBON	4.7 5%	1/4W F			
R917	1-249-429-11	CARBON	10K 5%	1/4W			
R918	1-247-831-11	CARBON	1K 5%	1/4W			
R919	1-247-871-11	CARBON	47K 5%	1/4W			
R920	1-247-871-11	CARBON	47K 5%	1/4W			
R923	1-249-429-11	CARBON	10K 5%	1/4W			
R926	1-247-791-11	CARBON	22 5%	1/4W			
R929	1-249-401-11	CARBON	47 5%	1/4W F			
R930	1-249-401-11	CARBON	47 5%	1/4W F			
R941	1-249-409-11	CARBON	220 5%	1/4W (AEP)			
R942	1-249-429-11	CARBON	10K 5%	1/4W (AEP)			
R943	1-249-419-11	CARBON	1.5K 5%	1/4W (AEP)			
R944	1-247-863-11	CARBON	22K 5%	1/4W (AEP)			
R945	1-249-429-11	CARBON	10K 5%	1/4W (AEP)			
R946	1-249-429-11	CARBON	10K 5%	1/4W (AEP)			
R947	1-249-429-11	CARBON	10K 5%	1/4W (AEP)			
RR701	1-249-393-11	CARBON	10 5%	1/4W F (AEP)			
RR702	1-249-393-11	CARBON	10 5%	1/4W F (AEP)			
RR751	1-249-393-11	CARBON	10 5%	1/4W F (AEP)			
RR752	1-249-393-11	CARBON	10 5%	1/4W F (AEP)			
		< RELAY >					
RY781	1-755-416-12	RELAY					
RY782	1-755-416-12	RELAY					
		< TRANSFORMER >					
		< TERMINAL BOARD >					
		TM801 1-537-376-11					
		*****					
		POWER BOARD					
		*****					
		< CONNECTOR >					
		CNP201 1-779-977-11					
		PIN, CONNECTOR 6P					
		< DIODE >					
		D205 8-719-061-96					
		LED SLR-325DCT31 (SPEAKER A)					
		D206 8-719-061-96					
		LED SLR-325DCT31 (SPEAKER B)					
		< TRANSISTOR >					
		Q204 8-729-029-86					
		TRANSISTOR DTC124ESA					
		Q205 8-729-029-86					
		TRANSISTOR DTC124ESA					
		< RESISTOR >					
		R289 1-249-413-11					
		CARBON 470 5%					
		R290 1-249-413-11					
		CARBON 470 5%					
		R297 1-247-831-11					
		CARBON 1K 5%					
		< SWITCH >					
		S201 1-771-410-21					
		SWITCH, TACTILE (I/⏻)					
		S202 1-771-410-21					
		SWITCH, TACTILE (SPEAKER A)					
		S203 1-771-410-21					
		SWITCH, TACTILE (SPEAKER B)					
		*****					
		VOLUME BOARD					
		*****					
		< CONNECTOR >					
		CN202 1-750-195-11					
		CONNECTOR, BOARD TO BOARD 6P					
		< RESISTOR >					
		R265 1-247-831-11					
		CARBON 1K 5%					
		R266 1-249-421-11					
		CARBON 2.2K 5%					
		R267 1-249-421-11					
		CARBON 2.2K 5%					
		R268 1-247-847-11					
		CARBON 4.7K 5%					
		R269 1-249-429-11					
		CARBON 10K 5%					
		R270 1-247-863-11					
		CARBON 22K 5%					
		< ROTARY ENCODER >					
		RV201 1-418-725-41					
		ENCODER, ROTARY (12 TYPE)					
		(MASTER VOLUME)					
		< SWITCH >					
		S224 1-771-410-21					
		SWITCH, TACTILE (BALANCE R)					

The components identified by mark △ or dotted line with mark △ are critical for safety. Replace only with part number specified.	Les composants identifiés par une marque △ sont critiques pour la sécurité. Ne les remplacer que par une pièce portant le numéro spécifié.
--	--

## VOLUME

Ref. No.	Part No.	Description	Remark
S225	1-771-410-21	SWITCH, TACTILE (TREBLE +)	
S226	1-771-410-21	SWITCH, TACTILE (BASS +)	
S227	1-771-410-21	SWITCH, TACTILE (BALANCE L)	
S228	1-771-410-21	SWITCH, TACTILE (TREBLE -)	
S229	1-771-410-21	SWITCH, TACTILE (BASS -)	

\*\*\*\*\*

## MISCELLANEOUS

\*\*\*\*\*

55	1-773-026-11	WIRE (FLAT TYPE) (15 CORE)	
59	1-773-026-11	WIRE (FLAT TYPE) (15 CORE) (US,CND)	
59	1-773-060-11	WIRE (FLAT TYPE) (17 CORE) (AEP)	
△ 105	1-777-071-23	CORD, POWER (AEP)	
△ 105	1-783-820-11	CORD, POWER (US,CND)	
107	1-769-942-11	WIRE (FLAT TYPE) (11 CORE) (US,CND)	
107	1-773-006-11	WIRE (FLAT TYPE) (15 CORE) (AEP)	
△ F901	1-533-453-12	FUSE, GLASS TUBE (DIA.5) (5A/125V)	(US,CND)
△ F901	1-533-469-12	FUSE, GLASS TUBE (DIA.5) (T2.5AL/250V)	(AEP)
△ F902	1-533-453-12	FUSE, GLASS TUBE (DIA.5) (5A/125V)	(US,CND)
△ F902	1-533-469-12	FUSE, GLASS TUBE (DIA.5) (T2.5AL/250V)	(AEP)
Q703	8-749-010-25	TRANSISTOR MN2488-OPY-M	
Q704	8-749-010-26	TRANSISTOR MP1620-OPY-M	
Q753	8-749-010-25	TRANSISTOR MN2488-OPY-M	
Q754	8-749-010-26	TRANSISTOR MP1620-OPY-M	
△ T901	1-443-188-11	TRANSFORMER, POWER (US,CND)	
△ T901	1-443-189-11	TRANSFORMER, POWER (AEP)	
TN1	1-693-577-13	TUNER PACK (ANTENNA) (US,CND)	
TN1	1-693-578-13	TUNER PACK (ANTENNA) (AEP)	

\*\*\*\*\*

## ACCESSORIES

\*\*\*\*\*

1-477-133-11	COMMANDER, STANDARD (RM-U185)	
1-501-374-12	ANTENNA, LOOP (AM)	
1-501-807-12	ANTENNA (FM) (AEP)	
1-793-184-23	CONNECTOR (F TYPE ADAPTOR) (FM)	(US,CND)
4-228-696-01	COVER, BATTERY (for RM-U185)	
4-253-437-11	MANUAL, INSTRUCTION (ENGLISH)	
4-253-437-21	MANUAL, INSTRUCTION (FRENCH,DUTCH, SWEDISH,GERMAN,SPANISH, ITALIAN,POLISH) (AEP)	
4-253-437-31	MANUAL, INSTRUCTION (DANISH,FINNISH)	(AEP)
4-253-437-41	MANUAL, INSTRUCTION (PORTUGUESE) (AEP)	

The components identified by mark △ or dotted line with mark △ are critical for safety. Replace only with part number specified.

Les composants identifiés par une marque △ sont critiques pour la sécurité. Ne les remplacer que par une pièce portant le numéro spécifié.



# STR-DE197

SONY®

## SERVICE MANUAL

Ver. 1.3 2006. 09

US Model  
Canadian Model  
AEP Model

### SUPPLEMENT-1

File this supplement with the service manual.

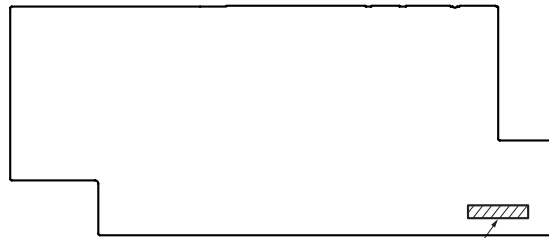
**Subject:** Change the MAIN, DISPLAY, VOLUME, H.PHONE, POWER, FUNCTION KEY and AC OUTLET boards.

Printed wiring board and schematic diagram of new type, and changed parts list are described in this Supplement-1.

When performing service and inspection, check the part number of the MAIN, DISPLAY, VOLUME, H.PHONE, POWER, FUNCTION KEY and AC OUTLET boards.

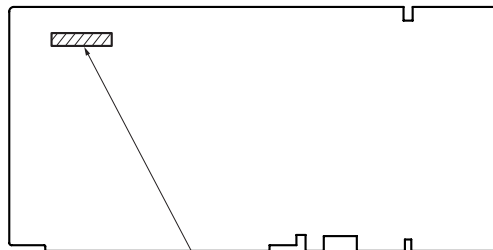
#### DISCRIMINATION

##### — MAIN BOARD (COMPONENT SIDE) —



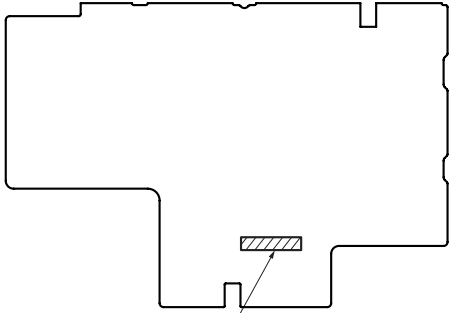
MAIN BOARD Part No.  
Former : 1-861-592-11  
New : 1-871-790-11

##### — DISPLAY BOARD (COMPONENT SIDE) —



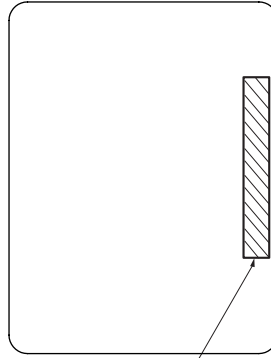
DISPLAY BOARD Part No.  
Former : 1-861-586-11  
New : 1-871-791-11

— VOLUME BOARD (COMPONENT SIDE) —



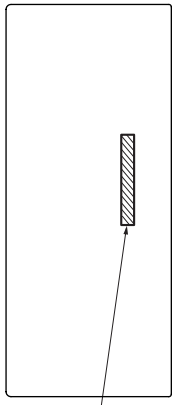
VOLUME BOARD Part No.  
Former : 1-861-587-11  
New : 1-871-792-11

— H.PHONE BOARD (COMPONENT SIDE) —



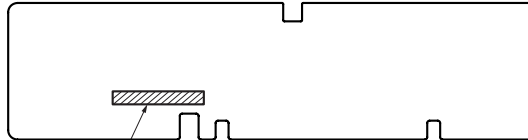
H.PHONE BOARD Part No.  
Former : 1-861-590-11  
New : 1-871-793-11

— POWER BOARD (COMPONENT SIDE) —



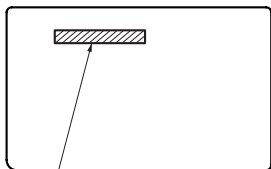
POWER BOARD Part No.  
Former : 1-861-591-11  
New : 1-871-794-11

— FUNCTION KEY BOARD (COMPONENT SIDE) —



FUNCTION KEY BOARD Part No.  
Former : 1-861-588-11  
New : 1-871-795-11

— AC OUTLET BOARD (COMPONENT SIDE) —



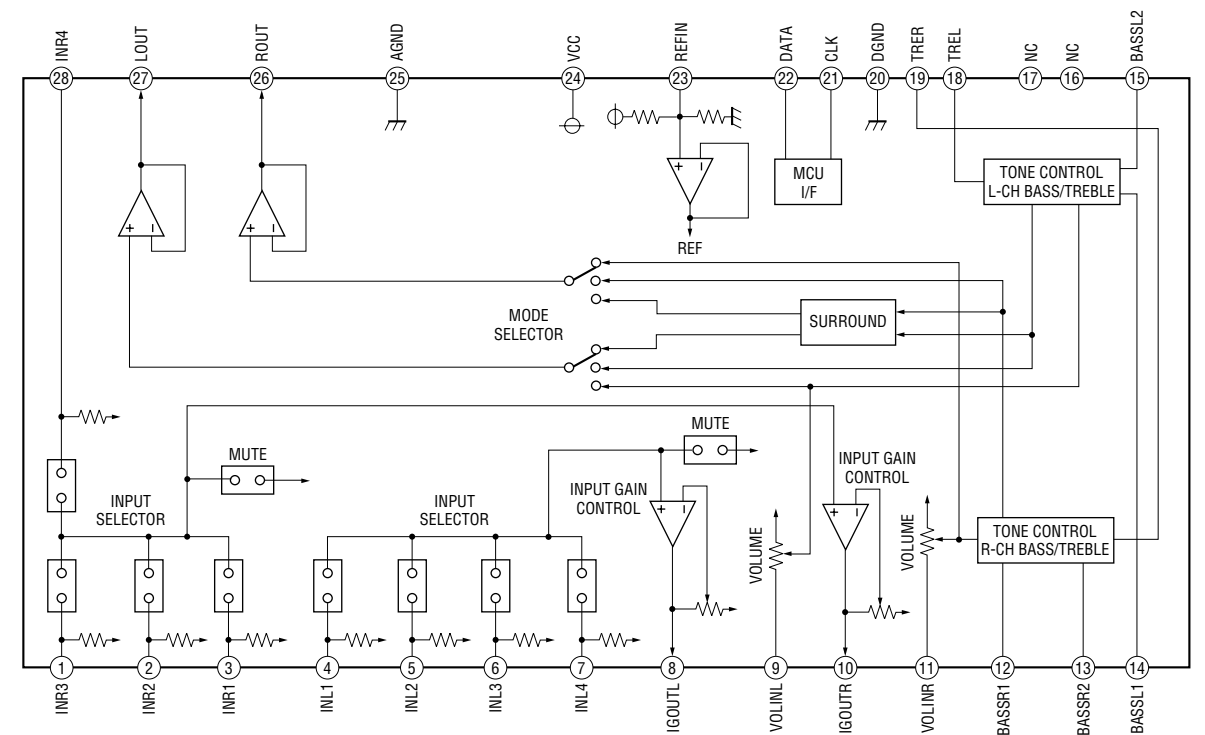
AC OUTLET BOARD Part No.  
Former : 1-861-589-11  
New : 1-871-796-11

TABLE OF CONTENTS

1. Printed Wiring Boards –Main Section– ..... 4  
 2. Schematic Diagram –Main Section (1/2)– ..... 5  
 3. Schematic Diagram –Main Section (2/2)– ..... 6  
 4. Printed Wiring Boards –Panel Section– ..... 7  
 5. Schematic Diagram –Panel Section– ..... 8  
 6. Electrical Parts List..... 9



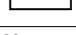
• IC Block Diagram

IC402 R2S15904SP



**THIS NOTE IS COMMON FOR PRINTED WIRING BOARDS AND SCHEMATIC DIAGRAMS.**  
 (In addition to this, the necessary note is printed in each block.)

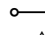

for schematic diagram:

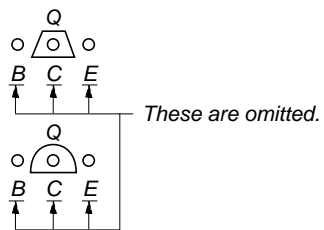
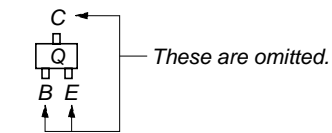
- All capacitors are in  $\mu\text{F}$  unless otherwise noted. (p: pF) 50 WV or less are not indicated except for electrolytics and tantalums.
- All resistors are in  $\Omega$  and  $\frac{1}{4}W$  or less unless otherwise specified.
- $\Delta$  : internal component.
-  : nonflammable resistor.
-  : fusible resistor.
-  : panel designation.






**Note:**  
 The components identified by mark  $\Delta$  or dotted line with mark  $\Delta$  are critical for safety. Replace only with part number specified.

**Note:**  
 Les composants identifiés par une marque  $\Delta$  sont critiques pour la sécurité. Ne les remplacer que par une pièce portant le numéro spécifié.

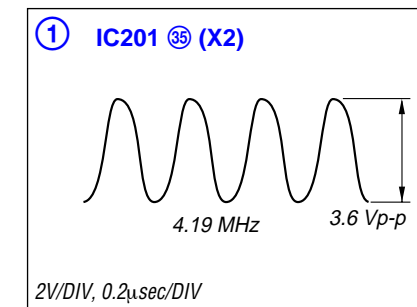
for printed wiring boards:


-  : parts extracted from the component side.
- $\Delta$  : internal component.
-  : Pattern from the side which enables seeing.
- Abbreviation CND : Canadian model.
- (( )): Page of Supplement-1.

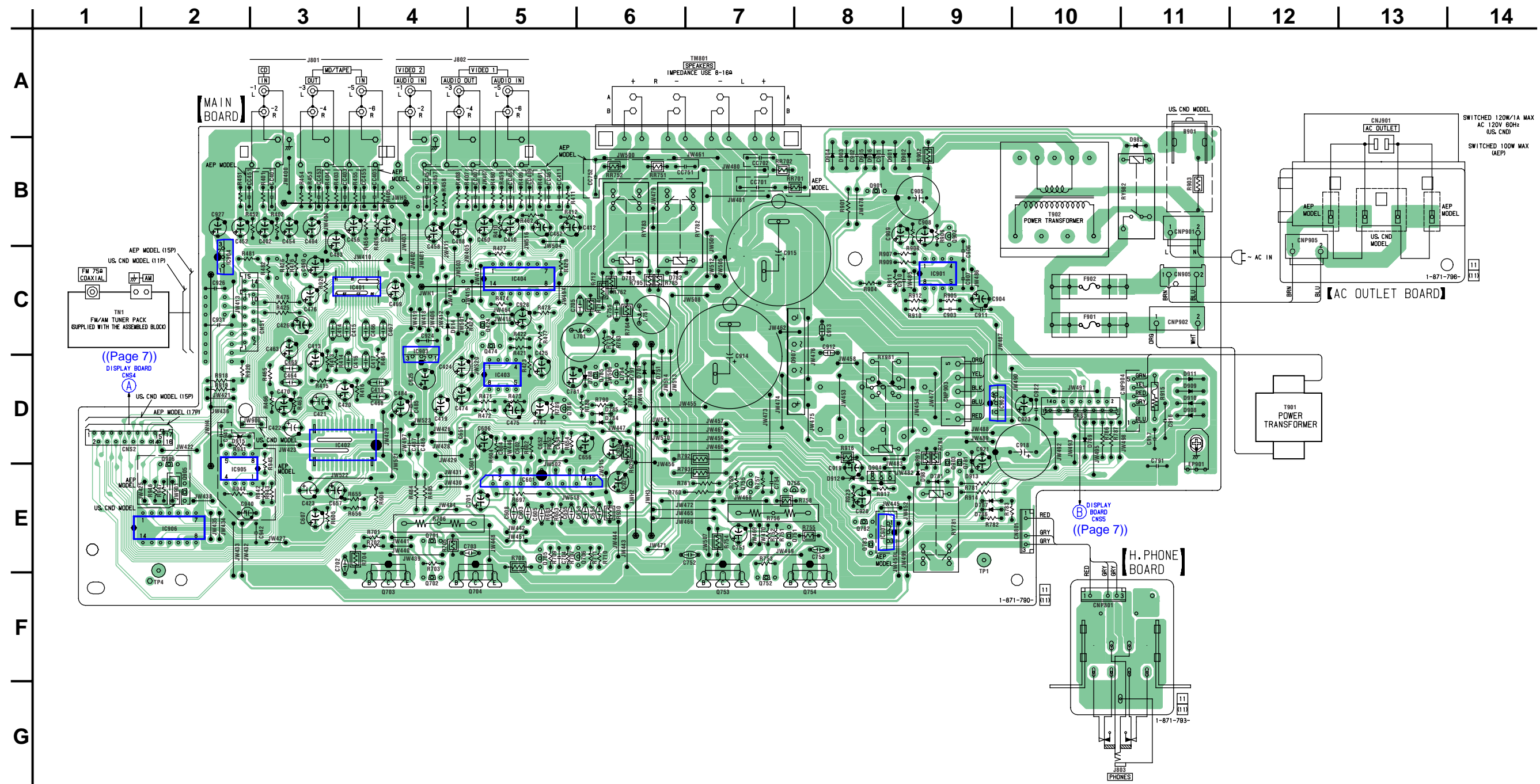


-  : B+ Line.
-  : B- Line.
- Voltage and waveforms are dc with respect to ground under no-signal (detuned) conditions. no mark : FM
- Voltages are taken with a VOM (Input impedance 10 M $\Omega$ ). Voltage variations may be noted due to normal production tolerances.
- Waveforms are taken with a oscilloscope. Voltage variations may be noted due to normal production tolerances.
- Circled numbers refer to waveforms.
- Signal path.
  -  : TUNER (FM/AM)
  -  : VIDEO (AUDIO)
  -  : CD (ANALOG)
- Abbreviation CND : Canadian model.
- (( )): Page of Supplement-1.

• Waveform



1. PRINTED WIRING BOARDS — MAIN SECTION — • Refer to page 13 of Service Manual for Circuit Boards Location. : Uses unleaded solder.

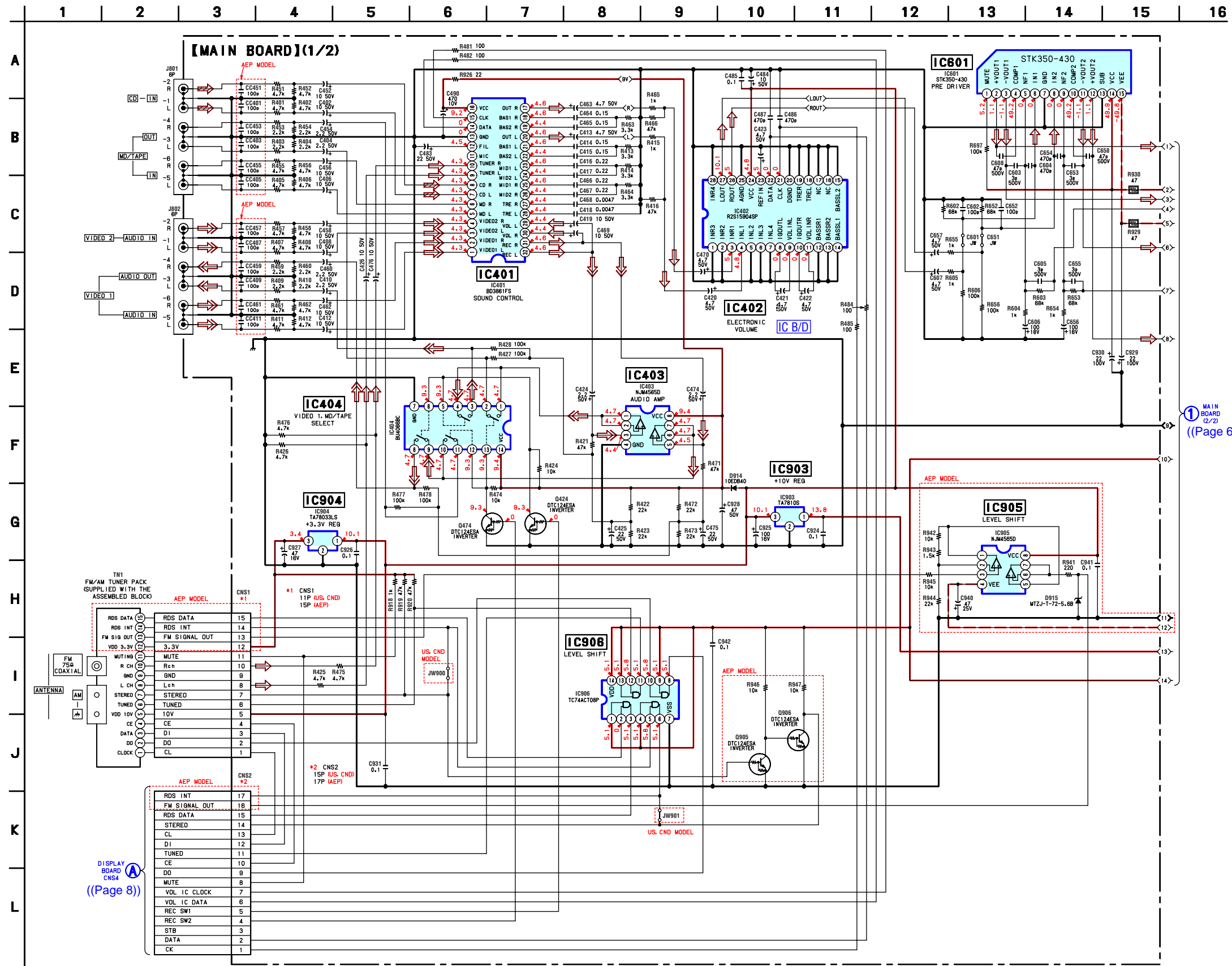


• Semiconductor Location

Ref. No.	Location	Ref. No.	Location	Ref. No.	Location	Ref. No.	Location
D701	D-6	D907	D-7	IC901	C-9	Q752	F-7
D751	D-6	D908	D-11	IC902	D-9	Q753	F-7
D781	E-9	D909	D-11	IC903	C-4	Q754	F-8
D782	C-6	D910	D-11	IC904	C-2	Q755	E-7
D783	C-6	D911	D-11	(IC905)	E-2	Q756	E-7
D784	D-6	D912	E-8	IC906	E-2	Q781	D-9
D785	D-6	D913	E-9	(IC907)	E-8	Q782	E-8
D786	E-9	D914	C-4			Q783	E-8
D787	E-9	(D915)	D-2	Q424	C-5	Q784	D-6
D788	D-6	D981	E-9	Q474	C-5	Q785	D-6
D789	D-10	D982	B-11	Q701	E-4	Q786	D-5
D901	B-8			Q702	F-4	Q901	B-8
D902	B-9	IC401	C-3	Q703	F-4	Q902	B-9
D903	B-8	IC402	D-3	Q704	F-5	Q903	D-9
D904	B-8	IC403	D-5	Q705	E-5	Q904	E-8
D905	B-8	IC404	C-5	Q706	E-6	(Q905)	E-2
D906	B-8	IC601	E-5	Q751	E-7	(Q906)	D-2

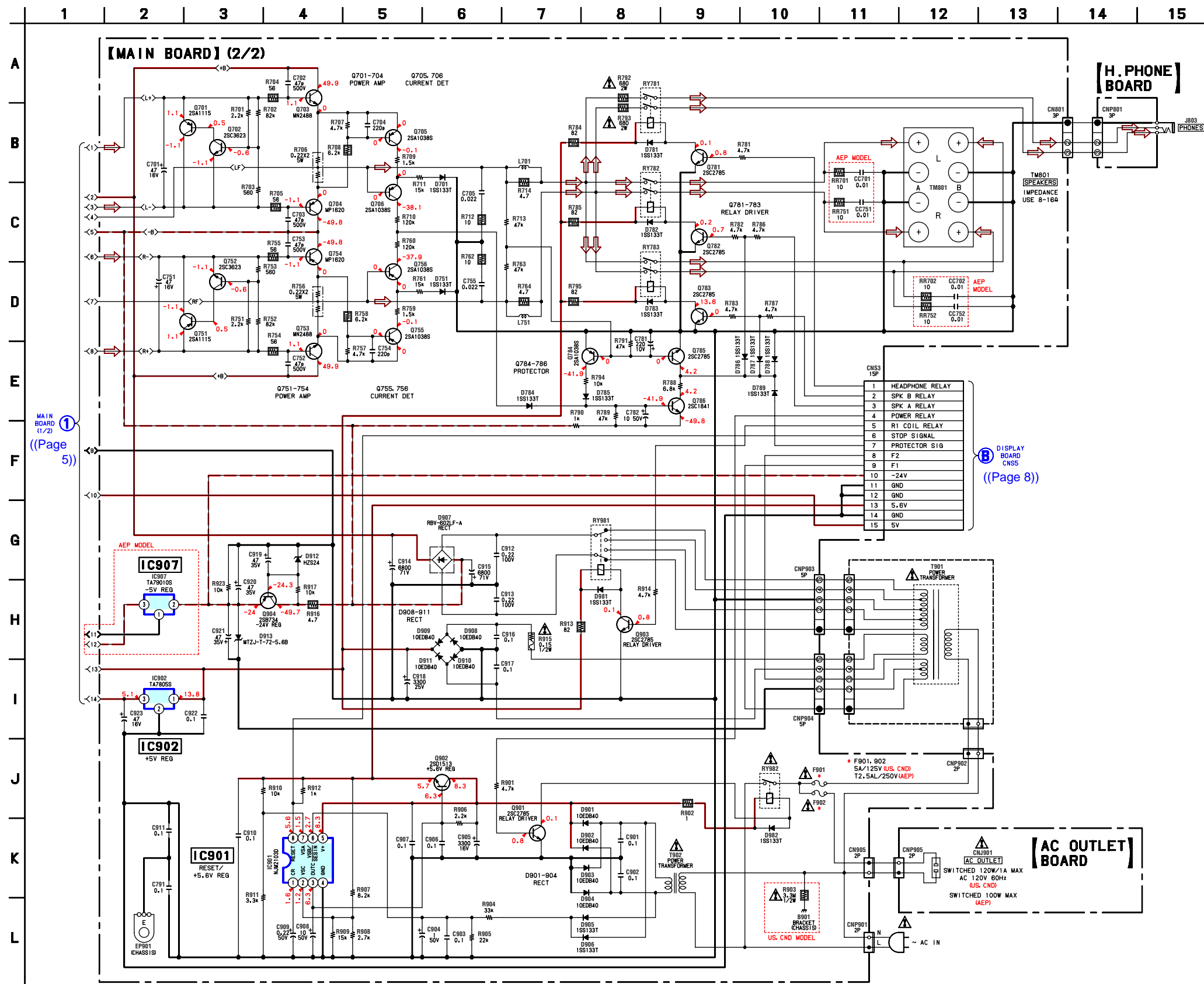
( ) : AEP model only

2. SCHEMATIC DIAGRAM — MAIN SECTION (1/2) — • Refer to page 3 of Supplement-1 for IC Block Diagram.



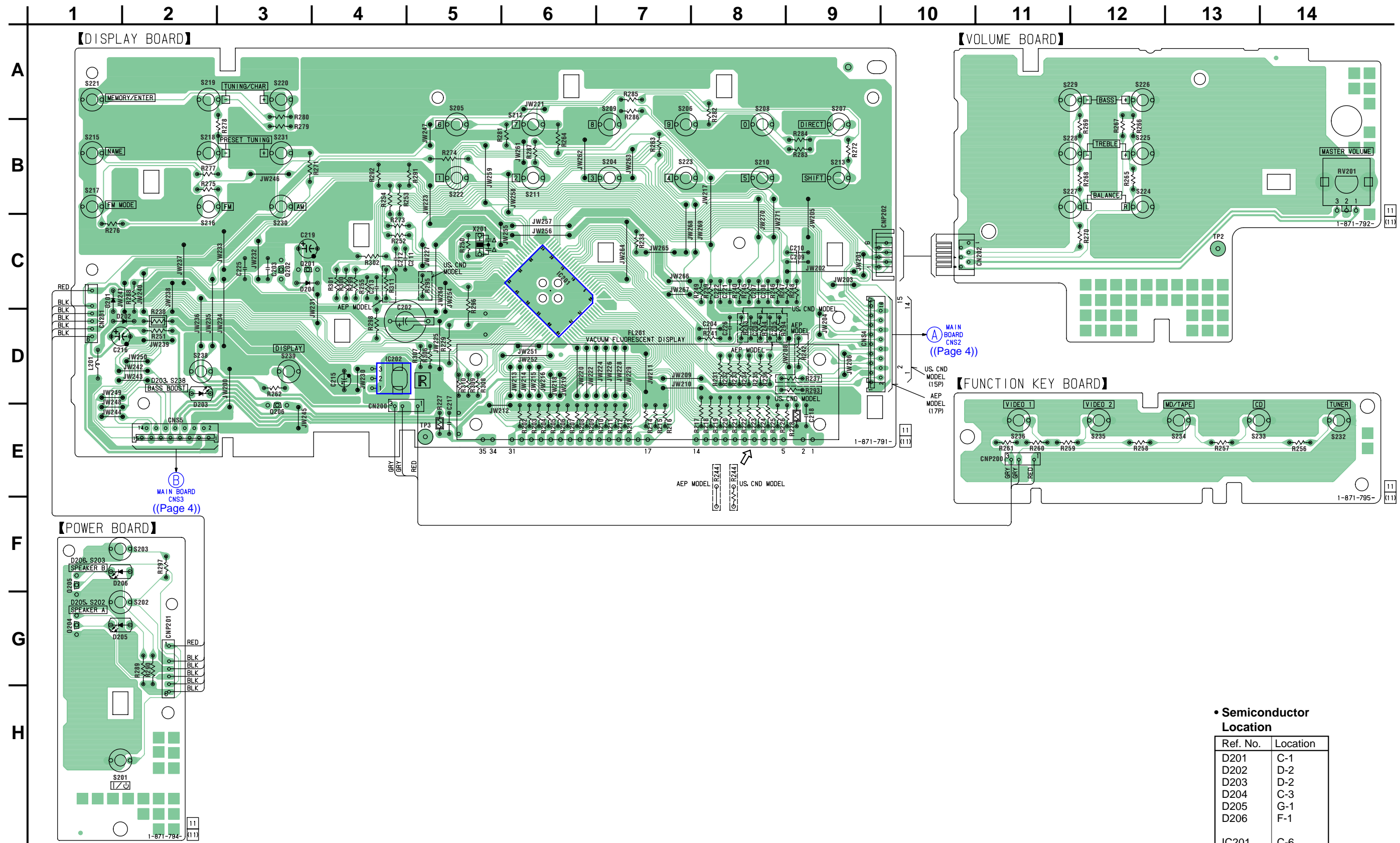
① MAIN BOARD (2/2) (Page 6)

3. SCHEMATIC DIAGRAM — MAIN SECTION (2/2) —

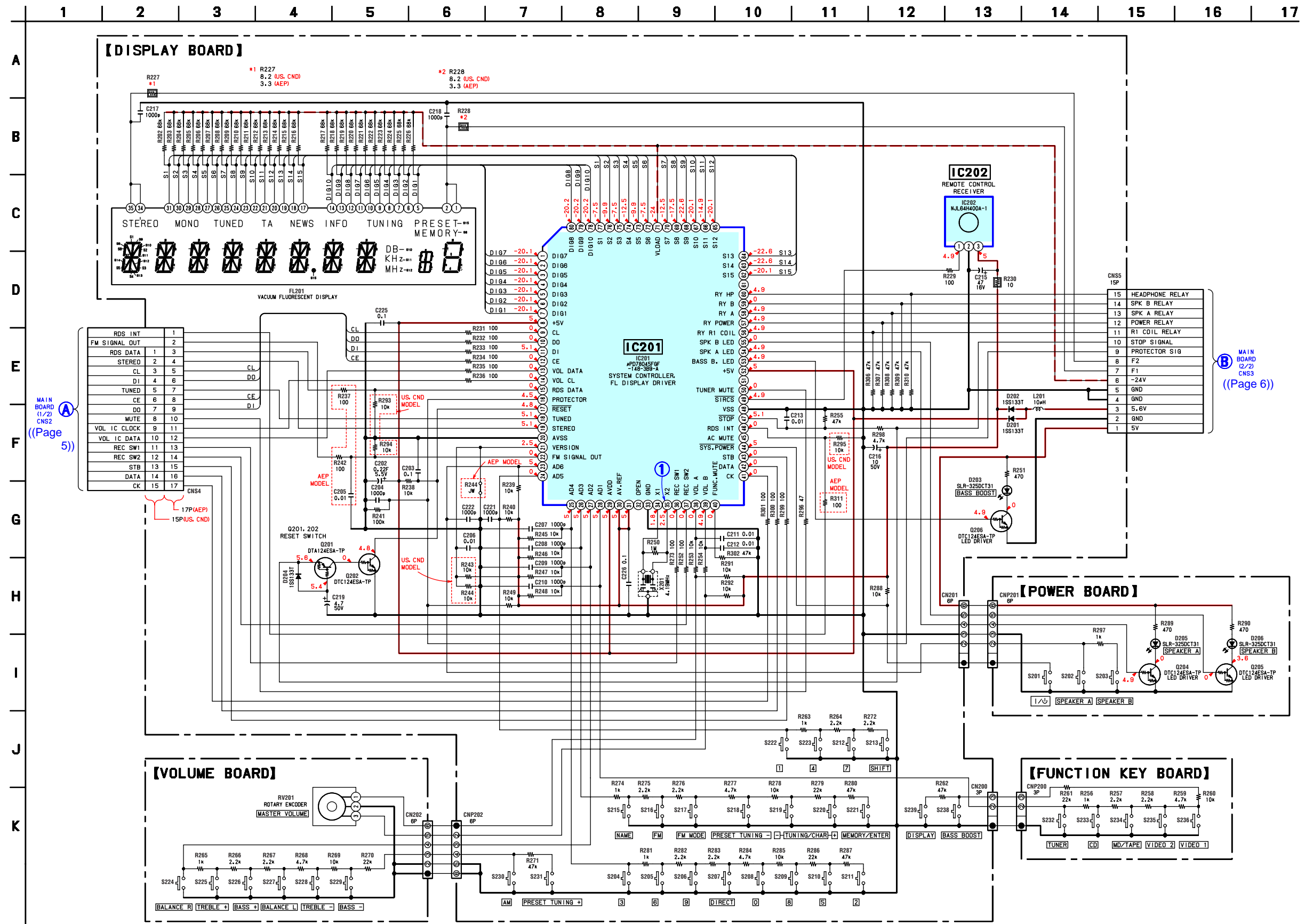




4. PRINTED WIRING BOARDS — PANEL SECTION — • Refer to page 13 of Service Manual for Circuit Boards Location. **UF** : Uses unleaded solder.



5. SCHEMATIC DIAGRAM — PANEL SECTION — • Refer to page 3 of Supplement-1 for Waveform.





6. ELECTRICAL PARTS LIST

NOTE:

- Due to standardization, replacements in the parts list may be different from the parts specified in the diagrams or the components used on the set.
- -XX and -X mean standardized parts, so they may have some difference from the original one.
- RESISTORS  
All resistors are in ohms.  
METAL: Metal-film resistor.  
METAL OXIDE: Metal oxide-film resistor.  
F: nonflammable
- Abbreviation  
CND : Canadian model

- Items marked "\*" are not stocked since they are seldom required for routine service. Some delay should be anticipated when ordering these items.
- SEMICONDUCTORS  
In each case, u : μ, for example:  
uA.. : μA..    uPA.. : μPA..  
uPB.. : μPB..    uPC.. : μPC..    uPD.. : μPD..
- CAPACITORS  
uF : μF
- COILS  
uH : μH

The components identified by mark Δ or dotted line with mark Δ are critical for safety. Replace only with part number specified.

Les composants identifiés par une marque Δ sont critiques pour la sécurité. Ne les remplacer que par une pièce portant le numéro spécifié.

When indicating parts by reference number, please include the board.

Ref. No.	Part No.	Description	Remark	Ref. No.	Part No.	Description	Remark
		AC OUTLET BOARD *****					
		< AC OUTLET >					
Δ CNJ901	1-785-285-11	OUTLET, AC (1P) (AC OUTLET) (AEP)					
Δ CNJ901	1-785-834-11	OUTLET, AC (1P) (AC OUTLET) (US,CND)					
		< CONNECTOR >					
CNP905	1-564-321-00	PIN, CONNECTOR (3.96mm PITCH) 2P *****					
	A-4751-164-A	DISPLAY BOARD, COMPLETE (US,CND)					
	A-4751-248-A	DISPLAY BOARD, COMPLETE (AEP) *****					
	2-887-959-01	HOLDER, FL					
		< CAPACITOR >					
C202	1-104-905-11	DOUBLE LAYERS	0.22F 5.5V				
C203	1-164-159-11	CERAMIC	0.1uF 50V				
C204	1-128-821-11	CERAMIC	0.001uF 5% 50V				
C205	1-127-876-11	CERAMIC	0.01uF 10% 50V				
C206	1-127-876-11	CERAMIC	0.01uF 10% 50V (AEP)				
C207	1-128-821-11	CERAMIC	0.001uF 5% 50V				
C208	1-128-821-11	CERAMIC	0.001uF 5% 50V				
C209	1-128-821-11	CERAMIC	0.001uF 5% 50V				
C210	1-128-821-11	CERAMIC	0.001uF 5% 50V				
C211	1-127-876-11	CERAMIC	0.01uF 10% 50V				
C212	1-127-876-11	CERAMIC	0.01uF 10% 50V				
C213	1-127-876-11	CERAMIC	0.01uF 10% 50V				
C215	1-126-947-11	ELECT	47uF 20% 35V				
C216	1-126-795-11	ELECT	10uF 20% 50V				
C217	1-128-821-11	CERAMIC	0.001uF 5% 50V				
C218	1-128-821-11	CERAMIC	0.001uF 5% 50V				
C219	1-126-794-11	ELECT	4.7uF 20% 50V				
C221	1-128-821-11	CERAMIC	0.001uF 5% 50V				
C222	1-128-821-11	CERAMIC	0.001uF 5% 50V				
C225	1-164-159-11	CERAMIC	0.1uF 50V				
C226	1-164-159-11	CERAMIC	0.1uF 50V				
		< CONNECTOR >					
CNP202	1-750-186-11	CONNECTOR, BOARD TO BOARD 6P					
CNS4	1-784-776-11	CONNECTOR, FFC 15P (US,CND)					
CNS4	1-784-778-11	CONNECTOR, FFC 17P (AEP)					
		< DIODE >					
D201	8-719-991-33	DIODE 1SS133T-77					
D202	8-719-991-33	DIODE 1SS133T-77					
D203	8-719-061-96	LED SLR-325DCT31 (BASS BOOST)					
D204	8-719-991-33	DIODE 1SS133T-77					
		< VACUUM FLUORESCENT DISPLAY >					
FL201	1-519-923-11	VACUUM FLUORESCENT DISPLAY					
		< IC >					
IC201	6-806-993-01	IC uPD78045FGF-148-3B9-A					
IC202	8-759-827-70	IC NJL64H400A-1 (IR)					
		< COIL >					
L201	1-410-509-11	INDUCTOR 10uH					
		< TRANSISTOR >					
Q201	8-729-029-40	TRANSISTOR DTA124ESA					
Q202	8-729-029-86	TRANSISTOR DTC124ESA					
Q206	8-729-029-86	TRANSISTOR DTC124ESA					
		< RESISTOR >					
R202	1-249-439-11	CARBON 68K 5% 1/4W					
R203	1-249-439-11	CARBON 68K 5% 1/4W					
R204	1-249-439-11	CARBON 68K 5% 1/4W					
R205	1-249-439-11	CARBON 68K 5% 1/4W					
R206	1-249-439-11	CARBON 68K 5% 1/4W					
R207	1-249-439-11	CARBON 68K 5% 1/4W					
R208	1-249-439-11	CARBON 68K 5% 1/4W					
R209	1-249-439-11	CARBON 68K 5% 1/4W					
R210	1-249-439-11	CARBON 68K 5% 1/4W					
R211	1-249-439-11	CARBON 68K 5% 1/4W					
R212	1-249-439-11	CARBON 68K 5% 1/4W					
R213	1-249-439-11	CARBON 68K 5% 1/4W					
R214	1-249-439-11	CARBON 68K 5% 1/4W					
R215	1-249-439-11	CARBON 68K 5% 1/4W					
R216	1-249-439-11	CARBON 68K 5% 1/4W					
R217	1-249-439-11	CARBON 68K 5% 1/4W					
R218	1-249-439-11	CARBON 68K 5% 1/4W					
R219	1-249-439-11	CARBON 68K 5% 1/4W					
R220	1-249-439-11	CARBON 68K 5% 1/4W					
R221	1-249-439-11	CARBON 68K 5% 1/4W					

**STR-DE197**

**DISPLAY**

Ref. No.	Part No.	Description	Remark
R222	1-249-439-11	CARBON	68K 5% 1/4W
R223	1-249-439-11	CARBON	68K 5% 1/4W
R224	1-249-439-11	CARBON	68K 5% 1/4W
R225	1-249-439-11	CARBON	68K 5% 1/4W
R226	1-249-439-11	CARBON	68K 5% 1/4W
R227	1-249-387-81	CARBON	3.3 5% 1/4W F (AEP)
R227	1-249-392-81	CARBON	8.2 5% 1/4W F (US,CND)
R228	1-249-387-81	CARBON	3.3 5% 1/4W F (AEP)
R228	1-249-392-81	CARBON	8.2 5% 1/4W F (US,CND)
R229	1-247-807-31	CARBON	100 5% 1/4W
R230	1-249-393-11	CARBON	10 5% 1/4W F
R231	1-247-807-31	CARBON	100 5% 1/4W
R232	1-247-807-31	CARBON	100 5% 1/4W
R233	1-247-807-31	CARBON	100 5% 1/4W
R234	1-247-807-31	CARBON	100 5% 1/4W
R235	1-247-807-31	CARBON	100 5% 1/4W
R236	1-247-807-31	CARBON	100 5% 1/4W
R237	1-247-807-31	CARBON	100 5% 1/4W (AEP)
R238	1-249-429-11	CARBON	10K 5% 1/4W
R239	1-249-429-11	CARBON	10K 5% 1/4W
R240	1-249-429-11	CARBON	10K 5% 1/4W
R241	1-247-879-11	CARBON	100K 5% 1/4W
R242	1-247-807-31	CARBON	100 5% 1/4W (AEP)
R243	1-249-429-11	CARBON	10K 5% 1/4W (US,CND)
R244	1-249-429-11	CARBON	10K 5% 1/4W (US,CND)
R245	1-249-429-11	CARBON	10K 5% 1/4W
R246	1-249-429-11	CARBON	10K 5% 1/4W
R247	1-249-429-11	CARBON	10K 5% 1/4W
R248	1-249-429-11	CARBON	10K 5% 1/4W
R249	1-249-429-11	CARBON	10K 5% 1/4W
R250	1-247-903-00	CARBON	1M 5% 1/4W
R251	1-249-413-11	CARBON	470 5% 1/4W
R252	1-247-807-31	CARBON	100 5% 1/4W
R253	1-249-429-11	CARBON	10K 5% 1/4W
R254	1-249-429-11	CARBON	10K 5% 1/4W
R255	1-247-871-11	CARBON	47K 5% 1/4W
R262	1-247-871-11	CARBON	47K 5% 1/4W
R263	1-247-831-11	CARBON	1K 5% 1/4W
R264	1-249-421-11	CARBON	2.2K 5% 1/4W
R271	1-247-871-11	CARBON	47K 5% 1/4W
R272	1-249-421-11	CARBON	2.2K 5% 1/4W
R273	1-247-807-31	CARBON	100 5% 1/4W
R274	1-247-831-11	CARBON	1K 5% 1/4W
R275	1-249-421-11	CARBON	2.2K 5% 1/4W
R276	1-249-421-11	CARBON	2.2K 5% 1/4W
R277	1-247-847-11	CARBON	4.7K 5% 1/4W
R278	1-249-429-11	CARBON	10K 5% 1/4W
R279	1-247-863-11	CARBON	22K 5% 1/4W
R280	1-247-871-11	CARBON	47K 5% 1/4W
R281	1-247-831-11	CARBON	1K 5% 1/4W
R282	1-249-421-11	CARBON	2.2K 5% 1/4W

Ref. No.	Part No.	Description	Remark
R283	1-249-421-11	CARBON	2.2K 5% 1/4W
R284	1-247-847-11	CARBON	4.7K 5% 1/4W
R285	1-249-429-11	CARBON	10K 5% 1/4W
R286	1-247-863-11	CARBON	22K 5% 1/4W
R287	1-247-871-11	CARBON	47K 5% 1/4W
R288	1-249-429-11	CARBON	10K 5% 1/4W
R291	1-249-429-11	CARBON	10K 5% 1/4W
R292	1-249-429-11	CARBON	10K 5% 1/4W
R293	1-249-429-11	CARBON	10K 5% 1/4W (US,CND)
R294	1-249-429-11	CARBON	10K 5% 1/4W (US,CND)
R295	1-249-429-11	CARBON	10K 5% 1/4W (US,CND)
R296	1-249-401-11	CARBON	47 5% 1/4W
R298	1-247-847-11	CARBON	4.7K 5% 1/4W
R299	1-247-807-31	CARBON	100 5% 1/4W
R300	1-247-807-31	CARBON	100 5% 1/4W
R301	1-247-807-31	CARBON	100 5% 1/4W
R302	1-247-871-11	CARBON	47K 5% 1/4W
R306	1-247-871-11	CARBON	47K 5% 1/4W
R307	1-247-871-11	CARBON	47K 5% 1/4W
R308	1-247-871-11	CARBON	47K 5% 1/4W
R309	1-247-871-11	CARBON	47K 5% 1/4W
R310	1-247-871-11	CARBON	47K 5% 1/4W
R311	1-247-807-31	CARBON	100 5% 1/4W (AEP)
< SWITCH >			
S204	1-771-410-21	SWITCH, TACTILE (3)	
S205	1-771-410-21	SWITCH, TACTILE (6)	
S206	1-771-410-21	SWITCH, TACTILE (9)	
S207	1-771-410-21	SWITCH, TACTILE (DIRECT)	
S208	1-771-410-21	SWITCH, TACTILE (0)	
S209	1-771-410-21	SWITCH, TACTILE (8)	
S210	1-771-410-21	SWITCH, TACTILE (5)	
S211	1-771-410-21	SWITCH, TACTILE (2)	
S212	1-771-410-21	SWITCH, TACTILE (7)	
S213	1-771-410-21	SWITCH, TACTILE (SHIFT)	
S215	1-771-410-21	SWITCH, TACTILE (NAME)	
S216	1-771-410-21	SWITCH, TACTILE (FM)	
S217	1-771-410-21	SWITCH, TACTILE (FM MODE)	
S218	1-771-410-21	SWITCH, TACTILE (PRESET TUNING -)	
S219	1-771-410-21	SWITCH, TACTILE (TUNING/CHAR -)	
S220	1-771-410-21	SWITCH, TACTILE (TUNING/CHAR +)	
S221	1-771-410-21	SWITCH, TACTILE (MEMORY/ENTER)	
S222	1-771-410-21	SWITCH, TACTILE (1)	
S223	1-771-410-21	SWITCH, TACTILE (4)	
S230	1-771-410-21	SWITCH, TACTILE (AM)	
S231	1-771-410-21	SWITCH, TACTILE (PRESET TUNING +)	
S238	1-771-410-21	SWITCH, TACTILE (BASS BOOST)	
S239	1-771-410-21	SWITCH, TACTILE (DISPLAY)	
< VIBRATOR >			
X201	1-795-736-21	VIBRATOR, CERAMIC (4.19MHz)	
*****			

**FUNCTION KEY** **H.PHONE** **MAIN**

Ref. No.	Part No.	Description	Remark	Ref. No.	Part No.	Description	Remark
		FUNCTION KEY BOARD					
		*****					
		< RESISTOR >					
R256	1-247-831-11	CARBON 1K 5%	1/4W	C458	1-126-964-11	ELECT 10uF 20%	50V
R257	1-249-421-11	CARBON 2.2K 5%	1/4W	C460	1-126-961-11	ELECT 2.2uF 20%	50V
R258	1-249-421-11	CARBON 2.2K 5%	1/4W	C462	1-126-964-11	ELECT 10uF 20%	50V
R259	1-247-847-11	CARBON 4.7K 5%	1/4W	C463	1-126-963-11	ELECT 4.7uF 20%	50V
R260	1-249-429-11	CARBON 10K 5%	1/4W	C464	1-136-167-00	FILM 0.15uF 5%	50V
R261	1-247-863-11	CARBON 22K 5%	1/4W	C465	1-136-167-00	FILM 0.15uF 5%	50V
		< SWITCH >		C466	1-137-190-11	FILM 0.22uF 5%	50V
S232	1-771-410-21	SWITCH, TACTILE (TUNER)		C467	1-137-190-11	FILM 0.22uF 5%	50V
S233	1-771-410-21	SWITCH, TACTILE (CD)		C468	1-136-287-11	FILM 0.0047uF 5%	100V
S234	1-771-410-21	SWITCH, TACTILE (MD/TAPE)		C469	1-126-964-11	ELECT 10uF 20%	50V
S235	1-771-410-21	SWITCH, TACTILE (VIDEO 2)		C470	1-126-963-11	ELECT 4.7uF 20%	50V
S236	1-771-410-21	SWITCH, TACTILE (VIDEO 1)		C474	1-126-961-11	ELECT 2.2uF 20%	50V
		*****		C475	1-126-965-11	ELECT 22uF 20%	50V
		H.PHONE BOARD		C476	1-126-964-11	ELECT 10uF 20%	50V
		*****		C483	1-126-965-11	ELECT 22uF 20%	50V
		< CONNECTOR >		C484	1-126-964-11	ELECT 10uF 20%	50V
CNP801	1-691-765-11	PLUG (MICRO CONNECTOR) 3P		C485	1-164-159-11	CERAMIC 0.1uF	50V
		< JACK >		C486	1-128-817-11	CERAMIC 470PF	50V
J803	1-815-314-21	JACK (PHONES)		C487	1-128-817-11	CERAMIC 470PF	50V
		*****		C490	1-126-925-11	ELECT 470uF	10V
A-4751-167-A		MAIN BOARD, COMPLETE (US,CND)		C602	1-128-809-11	CERAMIC 100PF	50V
A-4751-247-A		MAIN BOARD, COMPLETE (AEP)		C603	1-107-583-11	CERAMIC 3PF	500V
		*****		C604	1-128-817-11	CERAMIC 470PF	50V
1-533-217-41		HOLDER, FUSE		C605	1-107-583-11	CERAMIC 3PF	500V
		< CAPACITOR >		C606	1-126-933-11	ELECT 100uF	16V
C402	1-126-964-11	ELECT 10uF 20%	50V	C607	1-126-963-11	ELECT 4.7uF	20%
C404	1-126-961-11	ELECT 2.2uF 20%	50V	C608	1-162-815-11	CERAMIC 47PF	500V
C406	1-126-964-11	ELECT 10uF 20%	50V	C652	1-128-809-11	CERAMIC 100PF	50V
C408	1-126-964-11	ELECT 10uF 20%	50V	C653	1-107-583-11	CERAMIC 3PF	500V
C410	1-126-961-11	ELECT 2.2uF 20%	50V	C654	1-128-817-11	CERAMIC 470PF	50V
C412	1-126-964-11	ELECT 10uF 20%	50V	C655	1-107-583-11	CERAMIC 3PF	500V
C413	1-126-963-11	ELECT 4.7uF 20%	50V	C656	1-126-933-11	ELECT 100uF	16V
C414	1-136-167-00	FILM 0.15uF 5%	50V	C657	1-126-963-11	ELECT 4.7uF	20%
C415	1-136-167-00	FILM 0.15uF 5%	50V	C658	1-162-815-11	CERAMIC 47PF	500V
C416	1-137-190-11	FILM 0.22uF 5%	50V	C701	1-126-947-11	ELECT 47uF	35V
C417	1-137-190-11	FILM 0.22uF 5%	50V	C702	1-162-815-11	CERAMIC 47PF	500V
C418	1-136-287-11	FILM 0.0047uF 5%	100V	C703	1-162-815-11	CERAMIC 47PF	500V
C419	1-126-964-11	ELECT 10uF 20%	50V	C704	1-128-813-11	CERAMIC 220PF	50V
C420	1-126-963-11	ELECT 4.7uF 20%	50V	C705	1-137-372-11	MYLAR 0.022uF	50V
C421	1-126-963-11	ELECT 4.7uF 20%	50V	C751	1-126-947-11	ELECT 47uF	35V
C422	1-126-963-11	ELECT 4.7uF 20%	50V	C752	1-162-815-11	CERAMIC 47PF	500V
C423	1-126-963-11	ELECT 4.7uF 20%	50V	C753	1-162-815-11	CERAMIC 47PF	500V
C424	1-126-961-11	ELECT 2.2uF 20%	50V	C754	1-128-813-11	CERAMIC 220PF	50V
C425	1-126-965-11	ELECT 22uF 20%	50V	C755	1-137-372-11	MYLAR 0.022uF	50V
C426	1-126-964-11	ELECT 10uF 20%	50V	C781	1-126-923-11	ELECT 220uF	10V
C452	1-126-964-11	ELECT 10uF 20%	50V	C782	1-126-964-11	ELECT 10uF	20%
C454	1-126-961-11	ELECT 2.2uF 20%	50V	C791	1-164-159-11	CERAMIC 0.1uF	50V
C456	1-126-964-11	ELECT 10uF 20%	50V	C901	1-164-159-11	CERAMIC 0.1uF	50V
				C902	1-164-159-11	CERAMIC 0.1uF	50V
				C903	1-164-159-11	CERAMIC 0.1uF	50V
				C904	1-126-960-11	ELECT 1uF	20%
				C905	1-126-936-11	ELECT 3300uF	16V
				C906	1-164-159-11	CERAMIC 0.1uF	50V
				C907	1-164-159-11	CERAMIC 0.1uF	50V
				C908	1-126-964-11	ELECT 10uF	20%
				C909	1-126-957-11	ELECT 0.22uF	20%
				C910	1-164-159-11	CERAMIC 0.1uF	50V
				C911	1-164-159-11	CERAMIC 0.1uF	50V

MAIN

Ref. No.	Part No.	Description		Remark
C912	1-135-851-21	MYLAR	0.22uF	100V
C913	1-135-851-21	MYLAR	0.22uF	100V
C914	1-165-946-11	ELECT	6800uF	20% 71V
C915	1-165-946-11	ELECT	6800uF	20% 71V
C916	1-164-159-11	CERAMIC	0.1uF	50V
C917	1-164-159-11	CERAMIC	0.1uF	50V
C918	1-126-944-11	ELECT	3300uF	20% 25V
C919	1-126-947-11	ELECT	47uF	20% 35V
C920	1-126-947-11	ELECT	47uF	20% 35V
C921	1-126-947-11	ELECT	47uF	20% 35V
C922	1-127-888-11	CERAMIC	0.1uF	10% 50V
C923	1-126-947-11	ELECT	47uF	20% 35V
C924	1-127-888-11	CERAMIC	0.1uF	10% 50V
C925	1-126-933-11	ELECT	100uF	20% 16V
C926	1-127-888-11	CERAMIC	0.1uF	10% 50V
C927	1-126-947-11	ELECT	47uF	20% 35V
C928	1-126-967-11	ELECT	47uF	20% 50V
C929	1-128-560-11	ELECT	22uF	20% 100V
C930	1-128-560-11	ELECT	22uF	20% 100V
C931	1-164-159-11	CERAMIC	0.1uF	50V
C940	1-126-947-11	ELECT	47uF	20% 35V (AEP)
C941	1-164-159-11	CERAMIC	0.1uF	50V (AEP)
C942	1-164-159-11	CERAMIC	0.1uF	50V
CC401	1-128-809-11	CERAMIC	100PF	5% 50V (AEP)
CC403	1-128-809-11	CERAMIC	100PF	5% 50V (AEP)
CC405	1-128-809-11	CERAMIC	100PF	5% 50V (AEP)
CC407	1-128-809-11	CERAMIC	100PF	5% 50V (AEP)
CC409	1-128-809-11	CERAMIC	100PF	5% 50V (AEP)
CC411	1-128-809-11	CERAMIC	100PF	5% 50V (AEP)
CC451	1-128-809-11	CERAMIC	100PF	5% 50V (AEP)
CC453	1-128-809-11	CERAMIC	100PF	5% 50V (AEP)
CC455	1-128-809-11	CERAMIC	100PF	5% 50V (AEP)
CC457	1-128-809-11	CERAMIC	100PF	5% 50V (AEP)
CC459	1-128-809-11	CERAMIC	100PF	5% 50V (AEP)
CC461	1-128-809-11	CERAMIC	100PF	5% 50V (AEP)
CC701	1-127-876-11	CERAMIC	0.01uF	10% 50V (AEP)
CC702	1-127-876-11	CERAMIC	0.01uF	10% 50V (AEP)
CC751	1-127-876-11	CERAMIC	0.01uF	10% 50V (AEP)
CC752	1-127-876-11	CERAMIC	0.01uF	10% 50V (AEP)
< CONNECTOR >				
CNP901	1-564-321-00	PIN, CONNECTOR (3.96mm PITCH) 2P		
* CNP902	1-565-792-11	PIN, CONNECTOR (3.96mm PITCH) 2P		

Ref. No.	Part No.	Description	Remark
* CNP903	1-564-242-00	PIN, CONNECTOR (3.96mm PITCH) 5P	
CNP904	1-691-767-11	PLUG (MICRO CONNECTOR) 5P	
CNS1	1-568-830-11	CONNECTOR, FFC 11P (US,CND)	
CNS1	1-784-776-11	CONNECTOR, FFC 15P (AEP)	
CNS2	1-784-776-11	CONNECTOR, FFC 15P (US,CND)	
CNS2	1-784-778-11	CONNECTOR, FFC 17P (AEP)	
CNS3	1-784-776-11	CONNECTOR, FFC 15P	
< DIODE >			
D701	8-719-991-33	DIODE 1SS133T-77	
D751	8-719-991-33	DIODE 1SS133T-77	
D781	8-719-991-33	DIODE 1SS133T-77	
D782	8-719-991-33	DIODE 1SS133T-77	
D783	8-719-991-33	DIODE 1SS133T-77	
D784	8-719-991-33	DIODE 1SS133T-77	
D785	8-719-991-33	DIODE 1SS133T-77	
D786	8-719-991-33	DIODE 1SS133T-77	
D787	8-719-991-33	DIODE 1SS133T-77	
D788	8-719-991-33	DIODE 1SS133T-77	
D789	8-719-991-33	DIODE 1SS133T-77	
D901	6-500-522-11	DIODE 10EDB40-TA2B5	
D902	6-500-522-11	DIODE 10EDB40-TA2B5	
D903	6-500-522-11	DIODE 10EDB40-TA2B5	
D904	6-500-522-11	DIODE 10EDB40-TA2B5	
D905	8-719-991-33	DIODE 1SS133T-77	
D906	8-719-991-33	DIODE 1SS133T-77	
D907	8-719-072-05	DIODE RBV-602LF-A	
D908	6-500-522-11	DIODE 10EDB40-TA2B5	
D909	6-500-522-11	DIODE 10EDB40-TA2B5	
D910	6-500-522-11	DIODE 10EDB40-TA2B5	
D911	6-500-522-11	DIODE 10EDB40-TA2B5	
D912	8-719-986-54	DIODE HZS24-1LTA	
D913	8-719-109-89	DIODE RD5.6ESB2	
D914	6-500-522-11	DIODE 10EDB40-TA2B5	
D915	8-719-109-89	DIODE RD5.6ESB2 (AEP)	
D981	8-719-991-33	DIODE 1SS133T-77	
D982	8-719-991-33	DIODE 1SS133T-77	
< EARTH TERMINAL >			
* EP901	1-537-738-21	TERMINAL, EARTH	
< IC >			
IC401	6-700-261-01	IC BD3861FS	
IC402	6-710-289-01	IC R2S15904SP	
IC403	8-759-167-88	IC NJM4565D	
IC404	8-759-932-33	IC BU4066BC	
IC601	6-705-630-01	IC STK350-430	
IC901	8-759-333-83	IC NJM2103D	
IC902	8-759-231-53	IC TA7805S	
IC903	8-759-231-57	IC TA7810S	
IC904	6-702-771-01	IC TA78033LS	
IC905	8-759-167-88	IC NJM4565D (AEP)	
IC906	8-759-243-51	IC TC74ACT08P	
IC907	8-759-245-84	IC TA79010S (AEP)	

Ref. No.	Part No.	Description	Remark	Ref. No.	Part No.	Description	Remark
		< JACK >		R427	1-247-879-11	CARBON 100K 5%	1/4W
J801	1-774-411-11	JACK, PIN 6P (CD IN,MD/TAPE OUT, MD/TAPE IN)		R428	1-247-879-11	CARBON 100K 5%	1/4W
J802	1-774-411-11	JACK, PIN 6P (VIDEO 2 AUDIO IN, VIDEO 1 AUDIO OUT/AUDIO IN)		R451	1-247-847-11	CARBON 4.7K 5%	1/4W
		< COIL >		R452	1-247-847-11	CARBON 4.7K 5%	1/4W
L701	1-420-872-52	COIL, AIR-CORE		R453	1-249-421-11	CARBON 2.2K 5%	1/4W
L751	1-420-872-52	COIL, AIR-CORE		R454	1-249-421-11	CARBON 2.2K 5%	1/4W
		< TRANSISTOR >		R455	1-247-847-11	CARBON 4.7K 5%	1/4W
Q424	8-729-029-86	TRANSISTOR DTC124ESA		R456	1-247-847-11	CARBON 4.7K 5%	1/4W
Q474	8-729-029-86	TRANSISTOR DTC124ESA		R457	1-247-847-11	CARBON 4.7K 5%	1/4W
Q701	8-729-119-76	TRANSISTOR 2SA1175-HFE		R458	1-247-847-11	CARBON 4.7K 5%	1/4W
Q702	8-729-141-30	TRANSISTOR 2SC3623A-LK		R459	1-249-421-11	CARBON 2.2K 5%	1/4W
Q705	8-729-042-09	TRANSISTOR 2SA1038S-RSE-TP		R460	1-249-421-11	CARBON 2.2K 5%	1/4W
Q706	8-729-042-09	TRANSISTOR 2SA1038S-RSE-TP		R461	1-247-847-11	CARBON 4.7K 5%	1/4W
Q751	8-729-119-76	TRANSISTOR 2SA1175-HFE		R462	1-247-847-11	CARBON 4.7K 5%	1/4W
Q752	8-729-141-30	TRANSISTOR 2SC3623A-LK		R463	1-247-843-11	CARBON 3.3K 5%	1/4W
Q755	8-729-042-09	TRANSISTOR 2SA1038S-RSE-TP		R464	1-247-843-11	CARBON 3.3K 5%	1/4W
Q756	8-729-042-09	TRANSISTOR 2SA1038S-RSE-TP		R465	1-247-831-11	CARBON 1K 5%	1/4W
Q781	8-729-119-79	TRANSISTOR 2SC2785-FEK		R466	1-247-871-11	CARBON 47K 5%	1/4W
Q782	8-729-119-79	TRANSISTOR 2SC2785-FEK		R471	1-247-871-11	CARBON 47K 5%	1/4W
Q783	8-729-119-79	TRANSISTOR 2SC2785-FEK		R472	1-247-863-11	CARBON 22K 5%	1/4W
Q784	8-729-042-09	TRANSISTOR 2SA1038S-RSE-TP		R473	1-247-863-11	CARBON 22K 5%	1/4W
Q785	8-729-119-79	TRANSISTOR 2SC2785-FEK		R474	1-249-429-11	CARBON 10K 5%	1/4W
Q786	8-729-140-84	TRANSISTOR 2SC1841-PAFAEA		R475	1-247-847-11	CARBON 4.7K 5%	1/4W
Q901	8-729-119-79	TRANSISTOR 2SC2785-FEK		R476	1-247-847-11	CARBON 4.7K 5%	1/4W
Q902	8-729-045-21	TRANSISTOR 2SD1513TP-LK		R477	1-247-879-11	CARBON 100K 5%	1/4W
Q903	8-729-119-79	TRANSISTOR 2SC2785-FEK		R478	1-247-879-11	CARBON 100K 5%	1/4W
Q904	8-729-140-97	TRANSISTOR 2SB734-34		R481	1-247-807-31	CARBON 100 5%	1/4W
Q905	8-729-029-86	TRANSISTOR DTC124ESA (AEP)		R482	1-247-807-31	CARBON 100 5%	1/4W
Q906	8-729-029-86	TRANSISTOR DTC124ESA (AEP)		R484	1-247-807-31	CARBON 100 5%	1/4W
		< RESISTOR >		R485	1-247-807-31	CARBON 100 5%	1/4W
R401	1-247-847-11	CARBON 4.7K 5%	1/4W	R602	1-249-439-11	CARBON 68K 5%	1/4W
R402	1-247-847-11	CARBON 4.7K 5%	1/4W	R603	1-249-439-11	CARBON 68K 5%	1/4W
R403	1-249-421-11	CARBON 2.2K 5%	1/4W	R604	1-247-831-11	CARBON 1K 5%	1/4W
R404	1-249-421-11	CARBON 2.2K 5%	1/4W	R605	1-247-831-11	CARBON 1K 5%	1/4W
R405	1-247-847-11	CARBON 4.7K 5%	1/4W	R606	1-247-879-11	CARBON 100K 5%	1/4W
R406	1-247-847-11	CARBON 4.7K 5%	1/4W	R652	1-249-439-11	CARBON 68K 5%	1/4W
R407	1-247-847-11	CARBON 4.7K 5%	1/4W	R653	1-249-439-11	CARBON 68K 5%	1/4W
R408	1-247-847-11	CARBON 4.7K 5%	1/4W	R654	1-247-831-11	CARBON 1K 5%	1/4W
R409	1-249-421-11	CARBON 2.2K 5%	1/4W	R655	1-247-831-11	CARBON 1K 5%	1/4W
R410	1-249-421-11	CARBON 2.2K 5%	1/4W	R656	1-247-879-11	CARBON 100K 5%	1/4W
R411	1-247-847-11	CARBON 4.7K 5%	1/4W	R697	1-247-879-11	CARBON 100K 5%	1/4W
R412	1-247-847-11	CARBON 4.7K 5%	1/4W	R701	1-249-421-11	CARBON 2.2K 5%	1/4W
R413	1-247-843-11	CARBON 3.3K 5%	1/4W	R702	1-249-440-11	CARBON 82K 5%	1/4W
R414	1-247-843-11	CARBON 3.3K 5%	1/4W	R703	1-249-414-11	CARBON 560 5%	1/4W
R415	1-247-831-11	CARBON 1K 5%	1/4W	R704	1-249-402-11	CARBON 56 5%	1/4W F
R416	1-247-871-11	CARBON 47K 5%	1/4W	R705	1-249-402-11	CARBON 56 5%	1/4W F
R421	1-247-871-11	CARBON 47K 5%	1/4W	R706	1-234-182-11	ENCAPSULATED COMPONENT 0.22X2 5W	
R422	1-247-863-11	CARBON 22K 5%	1/4W	R707	1-247-847-11	CARBON 4.7K 5%	1/4W
R423	1-247-863-11	CARBON 22K 5%	1/4W	R708	1-240-855-81	CARBON 6.2K 5%	1/4W F
R424	1-249-429-11	CARBON 10K 5%	1/4W	R709	1-249-419-11	CARBON 1.5K 5%	1/4W
R425	1-247-847-11	CARBON 4.7K 5%	1/4W	R710	1-247-881-00	CARBON 120K 5%	1/4W
R426	1-247-847-11	CARBON 4.7K 5%	1/4W	R711	1-249-431-11	CARBON 15K 5%	1/4W
				R712	1-249-393-11	CARBON 10 5%	1/4W F
				R713	1-247-871-11	CARBON 47K 5%	1/4W
				R714	1-249-389-11	CARBON 4.7 5%	1/4W F
				R751	1-249-421-11	CARBON 2.2K 5%	1/4W
				R752	1-249-440-11	CARBON 82K 5%	1/4W
				R753	1-249-414-11	CARBON 560 5%	1/4W

# STR-DE197

## MAIN POWER

Ref. No.	Part No.	Description	Remark
R754	1-249-402-11	CARBON 56 5%	1/4W F
R755	1-249-402-11	CARBON 56 5%	1/4W F
R756	1-234-182-11	ENCAPSULATED COMPONENT 0.22X2 5W	
R757	1-247-847-11	CARBON 4.7K 5%	1/4W
R758	1-240-855-81	CARBON 6.2K 5%	1/4W F
R759	1-249-419-11	CARBON 1.5K 5%	1/4W
R760	1-247-881-00	CARBON 120K 5%	1/4W
R761	1-249-431-11	CARBON 15K 5%	1/4W
R762	1-249-393-11	CARBON 10 5%	1/4W F
R763	1-247-871-11	CARBON 47K 5%	1/4W
R764	1-249-389-11	CARBON 4.7 5%	1/4W F
R781	1-247-847-11	CARBON 4.7K 5%	1/4W
R782	1-247-847-11	CARBON 4.7K 5%	1/4W
R783	1-247-847-11	CARBON 4.7K 5%	1/4W
R784	1-249-404-00	CARBON 82 5%	1/4W F
R785	1-249-404-00	CARBON 82 5%	1/4W F
R786	1-247-847-11	CARBON 4.7K 5%	1/4W
R787	1-247-847-11	CARBON 4.7K 5%	1/4W
R788	1-249-427-11	CARBON 6.8K 5%	1/4W
R789	1-247-871-11	CARBON 47K 5%	1/4W
R790	1-247-831-11	CARBON 1K 5%	1/4W
R791	1-247-871-11	CARBON 47K 5%	1/4W
△R792	1-215-891-11	METAL OXIDE 680 5%	2W F
△R793	1-215-891-11	METAL OXIDE 680 5%	2W F
R794	1-249-429-11	CARBON 10K 5%	1/4W
R795	1-249-404-00	CARBON 82 5%	1/4W F
R901	1-247-847-11	CARBON 4.7K 5%	1/4W
R902	1-249-381-11	CARBON 1 5%	1/4W F
△R903	1-219-237-11	SOLID 3.3M 20%	1/2W F (US,CND)
R904	1-249-435-11	CARBON 33K 5%	1/4W
R905	1-247-863-11	CARBON 22K 5%	1/4W
R906	1-249-421-11	CARBON 2.2K 5%	1/4W
R907	1-249-428-11	CARBON 8.2K 5%	1/4W
R908	1-249-422-11	CARBON 2.7K 5%	1/4W
R909	1-249-431-11	CARBON 15K 5%	1/4W
R910	1-249-429-11	CARBON 10K 5%	1/4W
R911	1-247-843-11	CARBON 3.3K 5%	1/4W
R912	1-247-831-11	CARBON 1K 5%	1/4W
R913	1-249-404-00	CARBON 82 5%	1/4W F
R914	1-247-847-11	CARBON 4.7K 5%	1/4W
△R915	1-240-877-11	FUSIBLE 0.15 5%	1/2W F
R916	1-249-389-11	CARBON 4.7 5%	1/4W F
R917	1-249-429-11	CARBON 10K 5%	1/4W
R918	1-247-831-11	CARBON 1K 5%	1/4W
R919	1-247-871-11	CARBON 47K 5%	1/4W
R920	1-247-871-11	CARBON 47K 5%	1/4W
R923	1-249-429-11	CARBON 10K 5%	1/4W
R926	1-247-791-11	CARBON 22 5%	1/4W
R929	1-249-401-11	CARBON 47 5%	1/4W F
R930	1-249-401-11	CARBON 47 5%	1/4W F
R941	1-249-409-11	CARBON 220 5%	1/4W (AEP)
R942	1-249-429-11	CARBON 10K 5%	1/4W (AEP)
R943	1-249-419-11	CARBON 1.5K 5%	1/4W (AEP)
R944	1-247-863-11	CARBON 22K 5%	1/4W (AEP)

Ref. No.	Part No.	Description	Remark
R945	1-249-429-11	CARBON 10K 5%	1/4W (AEP)
R946	1-249-429-11	CARBON 10K 5%	1/4W (AEP)
R947	1-249-429-11	CARBON 10K 5%	1/4W (AEP)
RR701	1-249-393-11	CARBON 10 5%	1/4W F (AEP)
RR702	1-249-393-11	CARBON 10 5%	1/4W F (AEP)
RR751	1-249-393-11	CARBON 10 5%	1/4W F (AEP)
RR752	1-249-393-11	CARBON 10 5%	1/4W F (AEP)
< RELAY >			
RY781	1-755-416-12	RELAY	
RY782	1-755-416-12	RELAY	
RY783	1-755-416-12	RELAY	
RY981	1-755-013-11	RELAY	
△RY982	1-755-276-11	RELAY, POWER	
< TRANSFORMER >			
△T902	1-435-281-11	TRANSFORMER, POWER (US,CND)	
△T902	1-435-282-11	TRANSFORMER, POWER (AEP)	
< TERMINAL BOARD >			
TM801	1-537-376-11	TERMINAL BOARD (8P) (SPEAKERS)	
*****			
POWER BOARD			
*****			
< CONNECTOR >			
CNP201	1-779-977-11	PIN, CONNECTOR 6P	
< DIODE >			
D205	8-719-061-96	LED SLR-325DCT31 (SPEAKER A)	
D206	8-719-061-96	LED SLR-325DCT31 (SPEAKER B)	
< TRANSISTOR >			
Q204	8-729-029-86	TRANSISTOR DTC124ESA	
Q205	8-729-029-86	TRANSISTOR DTC124ESA	
< RESISTOR >			
R289	1-249-413-11	CARBON 470 5%	1/4W
R290	1-249-413-11	CARBON 470 5%	1/4W
R297	1-247-831-11	CARBON 1K 5%	1/4W
< SWITCH >			
S201	1-771-410-21	SWITCH, TACTILE (I/⏻)	
S202	1-771-410-21	SWITCH, TACTILE (SPEAKER A)	
S203	1-771-410-21	SWITCH, TACTILE (SPEAKER B)	
*****			

Ref. No.	Part No.	Description	Remark
		VOLUME BOARD *****	
		< CONNECTOR >	
CN202	1-750-195-11	CONNECTOR, BOARD TO BOARD 6P	
		< RESISTOR >	
R265	1-247-831-11	CARBON 1K 5% 1/4W	
R266	1-249-421-11	CARBON 2.2K 5% 1/4W	
R267	1-249-421-11	CARBON 2.2K 5% 1/4W	
R268	1-247-847-11	CARBON 4.7K 5% 1/4W	
R269	1-249-429-11	CARBON 10K 5% 1/4W	
R270	1-247-863-11	CARBON 22K 5% 1/4W	
		< ROTARY ENCODER >	
RV201	1-418-725-41	ENCODER, ROTARY (12 TYPE) (MASTER VOLUME)	
		< SWITCH >	
S224	1-771-410-21	SWITCH, TACTILE (BALANCE R)	
S225	1-771-410-21	SWITCH, TACTILE (TREBLE +)	
S226	1-771-410-21	SWITCH, TACTILE (BASS +)	
S227	1-771-410-21	SWITCH, TACTILE (BALANCE L)	
S228	1-771-410-21	SWITCH, TACTILE (TREBLE -)	
S229	1-771-410-21	SWITCH, TACTILE (BASS -)	

