

STR-DE245/DE345

SERVICE MANUAL

Ver 1.0 2000.02



Photo: STR-DE345

AEP Model
 UK Model
 E Model
 Australian Model
 STR-DE245/DE345
 US Model
 Canadian Model
 Chinese Model
 PX Model
 STR-DE345

Manufactured under license from Dolby Laboratories Licensing Corporation.

“DOLBY” the double-D symbol $\square\square$ “AC-3” and “Pro Logic” are trademarks of Dolby Laboratories Licensing Corporation.

SPECIFICATIONS

POWER OUTPUT AND TOTAL HARMONIC DISTORTION

With 8-ohm load, both channels driven, from 20–20,000 Hz rated 100 watts per channel minimum RMS power, with no more than 0.09% total harmonic distortion from 250 milliwatts to rated output.

Amplifier section

Rated Power Output at Stereo Mode (8 Ω at 20 Hz – 20 kHz, THD 0.09 %) 100W + 100W

Reference Power Output (8 Ω at 1 kHz, THD 0.7%)
 Front: 100 W + 100 W
 Center: 100 W
 Rear: 100 W + 100 W

Frequency response TV/SAT, CD, MD/TAPE, VIDEO, 5.1CH/DVD 10 – 50 kHz $^{+0.5}_{-2.0}$ dB

Inputs

	Sensitivity	Impedance	S/N
CD, 5.1CH/DVD, MD/TAPE, TV/SAT, VIDEO	150 mV	50 kilohms	85 dB

Outputs

MD/TAPE REC OUT: Voltage: 150 mV, Impedance: 10 kilohms
 VIDEO AUDIO OUT: Voltage: 150 mV, Impedance: 10 kilohms
 SUB WOOFER: Voltage: 2 V Impedance: 1 kilohms
 PHONES: Accepts low and high impedance headphones

Muting
 BASS BOOST
 TONE

Tuner section

FM Stereo, FM/AM superheterodyne tuner

FM tuner section

Tuning range
 Antenna terminals
 Intermediate frequency
 Sensitivity

Usable sensitivity
 S/N

Harmonic distortion at 1 kHz
 Separation
 Frequency response
 Selectivity

87.5 – 108.0 MHz
 75 Ω , unbalanced
 10.7 MHz
 Mono: 18.3 dBf, 4.5 μ V
 Stereo: 38.3 dBf, 45 μ V
 11.2 dBf, 2 μ V (IHF)
 Mono: 76 dB
 Stereo: 70 dB
 Mono: 0.3 %
 Stereo: 0.5 %
 45 dB at 1 kHz
 30 Hz – 15 kHz $^{+0.5}_{-2.0}$ dB
 60 dB at 400 kHz

AM tuner section

Tuning range 10 kHz interval*
 530 – 1,710 kHz
 9 kHz interval
 531 – 1,710 kHz
 Loop antenna
 450 kHz
 Usable sensitivity 50 dB/m (at 1,000 kHz or 999 kHz)
 S/N 54 dB (at 50 mV/m)
 Harmonic distortion 0.5 % (50 mV/m, 400 Hz)
 Selectivity At 10 kHz: 40 dB
 At 9 kHz: 35 dB

* You can change the AM tuning interval between 9 kHz and 10 kHz. Turn off the receiver and press the I/⏻ (power) for more than 4 seconds until “INITIAL” appears.

- 1) After turning in any AM station, turn off the receiver.
- 2) Hold down PRESET TUNING + button and press the I/⏻ (power) button . “9 k STEP” appears.

To change to 10 k Step, repeat step 1 and 2 until “10 k STEP” appears. Note that all preset stations, index names and sound field are cleared after you make the procedure above.

— Continued on next page —

FM STEREO FM-AM RECEIVER

SONY®

VIDEO section

Inputs VIDEO, TV/SAT, 5.1CH/DVD:
1 V_{p-p} 75 Ω

Outputs VIDEO, MONITOR:
1 V_{p-p} 75 Ω

General

System Tuner section: PLL
quartz-locked digital
synthesizer system

Preamplifier section:
Low-noise NF type
equalizer

Power amplifier section:
Pure-complementary
SEPP

Power requirements 120 V AC, 60 Hz

Power consumption 235 W

Dimensions 17 × 5⁶/₈ × 12 inches
(430 × 145 × 304 mm)

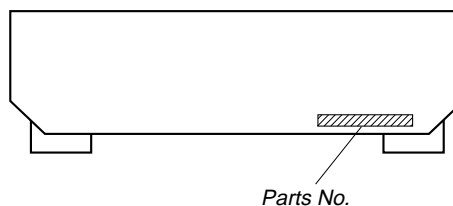
Mass (Aprox.) 7.3 kg (16 lb 2 oz)

Supplid accessories FM wire antenna (1)
AM loop antenna (1)
Remote commander (remote) (1)
Size AA (R6) batteries (2)
Operating Instructions of the remote RM-PP404

Design and specifications are subject to change without notice.

MODEL IDENTIFICATION

— BACK PANEL —



MODEL	PARTS No.
DE345: US model	4-226-462-0□
DE345: Canadian model	4-226-462-1□
DE345: Australian model	4-226-462-2□
DE345: Singapore, Malaysia model	4-226-462-3□
DE345: Chinese model	4-226-462-4□
DE345: E, Saudi Arabia, PX model	4-226-462-5□
DE345: AEP model	4-226-462-6□
DE345: Russian, East European model	4-226-462-7□
DE345: Mexican model	4-226-462-8□
DE345: Argentine model	4-226-462-9□
DE245: Australian model	4-226-468-2□
DE245: Singapore, Malaysia model	4-226-468-3□
DE245: E, Saudi Arabia model	4-226-468-4□
DE245: AEP, UK model	4-226-468-5□
DE245: Mexican, Russian, East European model	4-226-468-6□

SAFETY CHECK-OUT

After correcting the original service problem, perform the following safety checks before releasing the set to the customer: Check the antenna terminals, metal trim, "metallized" knobs, screws, and all other exposed metal parts for AC leakage. Check leakage as described below.

LEAKAGE

The AC leakage from any exposed metal part to earth ground and from all exposed metal parts to any exposed metal part having a return to chassis, must not exceed 0.5 mA (500 microamperes). Leakage current can be measured by any one of three methods.

1. A commercial leakage tester, such as the Simpson 229 or RCA WT-540A. Follow the manufacturers' instructions to use these instruments.
2. A battery-operated AC milliammeter. The Data Precision 245 digital multimeter is suitable for this job.
3. Measuring the voltage drop across a resistor by means of a VOM or battery-operated AC voltmeter. The "limit" indication is 0.75 V, so analog meters must have an accurate low-voltage scale. The Simpson 250 and Sanwa SH-63Trd are examples of a passive VOM that is suitable. Nearly all battery operated digital multimeters that have a 2V AC range are suitable. (See Fig. A)

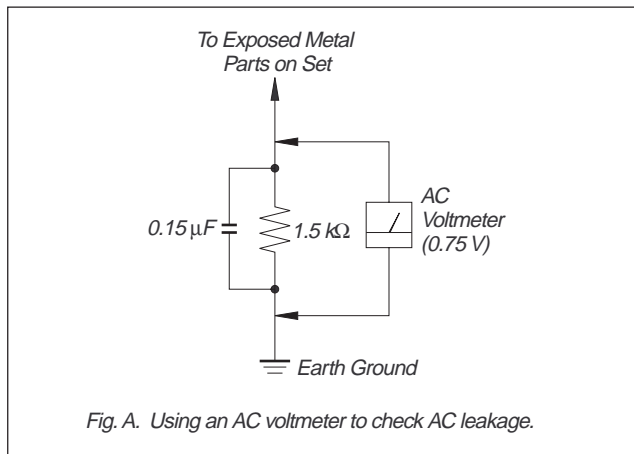


Fig. A. Using an AC voltmeter to check AC leakage.

SAFETY-RELATED COMPONENT WARNING!!

COMPONENTS IDENTIFIED BY MARK \triangle OR DOTTED LINE WITH MARK \triangle ON THE SCHEMATIC DIAGRAMS AND IN THE PARTS LIST ARE CRITICAL TO SAFE OPERATION. REPLACE THESE COMPONENTS WITH SONY PARTS WHOSE PART NUMBERS APPEAR AS SHOWN IN THIS MANUAL OR IN SUPPLEMENTS PUBLISHED BY SONY.

ATTENTION AU COMPOSANT AYANT RAPPORT À LA SÉCURITÉ!

LES COMPOSANTS IDENTIFIÉS PAR UNE MARQUE \triangle SUR LES DIAGRAMMES SCHÉMATIQUES ET LA LISTE DES PIÈCES SONT CRITIQUES POUR LA SÉCURITÉ DE FONCTIONNEMENT. NE REMPLACER CES COMPOSANTS QUE PAR DES PIÈCES SONY DONT LES NUMÉROS SONT DONNÉS DANS CE MANUEL OU DANS LES SUPPLÉMENTS PUBLIÉS PAR SONY.

与安全有关的零部件须知

在原理图上用阴影及 \triangle 标记来识别的零部件在安全操作上是具有关键性的。这些零部件要用本手册中所示的部件号对应的索尼零部件进行更换。

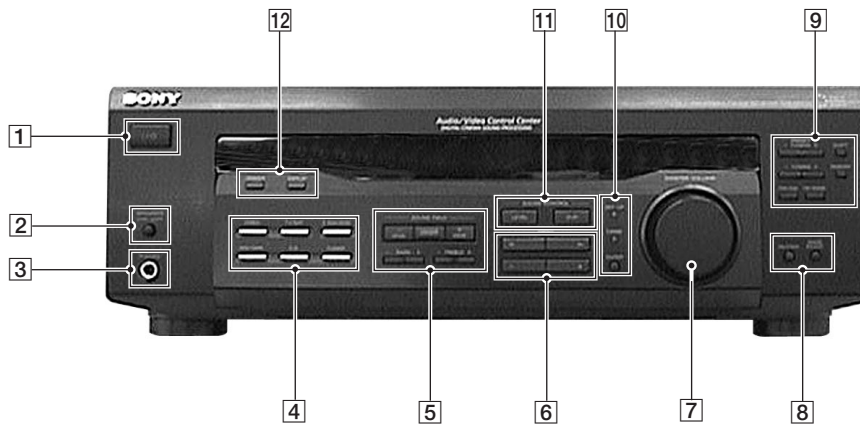
在安全操作上具有关键性的电路调整与索尼公司出版的维修手册完全一致。在更换关键零部件时或怀疑动作失常时，请进行这些调整操作。

TABLE OF CONTENTS

1. GENERAL	4
2. TEST MODE	6
3. DIAGRAMS	
3-1. Block Diagram	7
3-2. IC Block Diagrams	8
3-3. IC Pin Function Description	8
3-4. Circuit Boards Location	9
3-5. Printed Wiring Board Main Section	10
3-6. Schematic Diagram Main Section (1/3)	11
3-7. Schematic Diagram Main Section (2/3)	12
3-8. Schematic Diagram Main Section (3/3)	13
3-9. Printed Wiring Board Panel Section	14
3-10. Schematic Diagram Panel Section	15
3-11. Printed Wiring Board Power Section	16
3-12. Schematic Diagram Power Section	17
3-13. Printed Wiring Board Video Section	18
3-14. Schematic Diagram Video Section	18
4. EXPLODED VIEWS	
4-1. Front Panel Section	19
4-2. Chassis Section	20
5. ELECTRICAL PARTS LIST	21

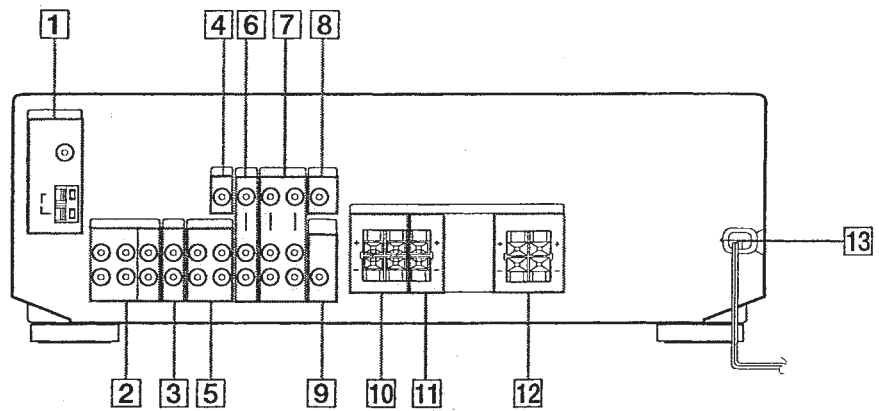
SECTION 1 GENERAL

Front Panel



- | | |
|--|--|
| <p>1 I/⏻ (POWER) button</p> <p>2 SPEAKERS ON/OFF SWITCH button</p> <p>3 PHONE jack</p> <p>4 VIDEO button
TV/SAT button
5.1CH/DVD button
MD/TAPE button
CD button
TUNER button</p> <p>5 SOUND FIELD ON/OFF,
MODE $\left[+ \right]$, $\left[- \right]$ buttons
BASS $\left[+ \right]$, $\left[- \right]$ buttons
TREBLE $\left[+ \right]$, $\left[- \right]$ buttons</p> <p>6 MENU $\left[< \right]$, $\left[> \right]$, $\left[+ \right]$, $\left[- \right]$ buttons</p> <p>7 MASTER VOLUME control</p> | <p>8 MUTING button
BASS BOOST button</p> <p>9 PRESET/PTY SELECT $\left[+ \right]$, $\left[- \right]$ buttons
TUNING $\left[+ \right]$, $\left[- \right]$ buttons
FM/AM button
FM MODE button
SHIFT button
MEMORY button</p> <p>10 SET UP button
NAME button
ENTER button</p> <p>11 SOUND CONTROL LEVEL, SUR buttons</p> <p>12 DIMMER button
DISPLAY button</p> |
|--|--|

Rear Panel



- 1 ANTENNA (AM/FM)
- 2 5.1 CH/DVD
- 3 CD
- 4 5.1 CH (VIDEO IN)
- 5 MD/TAPE

- 6 TV/SAT
- 7 VIDEO
- 8 MONITOR
- 9 SUB WOOFER
- 10 SPEAKERS REAR

- 11 SPEAKERS CENTER
- 12 SPEAKERS FRONT
- 13 AC power cord

SECTION 2 TEST MODE

SOFTWARE VERSION DISPLAY MODE

* The software version is displayed.

* Procedure:

While depressing the TUNER and the VIDEO buttons simultaneously, press the power [I/⏻] button to turn on the main power. The model name, destination and the software version are displayed.

FLUORESCENT INDICATOR TUBE TEST MODE

* All fluorescent segments are tested. When this test is activated, all segments turn on at the same time, then each segment turns on one after another.

* Procedure:

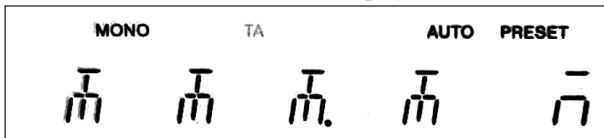
While depressing the TV/SAT and the CD buttons simultaneously, press the power [I/⏻] button to turn on the main power.

1. All segments turn on.



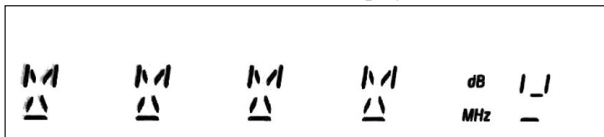
SET UP, SOUND FIELD, BASS BOOST and MUTING LED turn on.

2. Press the VIDEO button, confirm display



BASS BOOST, MUTING, SET UP and NAME LED turn on.

3. Press the VIDEO button, confirm display



SOUND CONTROL LEVEL, SOUND CONTROL SUR and SOUND FIELD LED turn on.

4. Press the VIDEO button, All segments turn off.

5. Every pressing of the VIDEO button turns on each segment one after another in the following order.

(Not only the VIDEO button, but also the other buttons such as TV/SAT, MD/TAPE, CD, TUNER can be used.)

FACTORY SET MODE

* All preset contents are reset to the default setting.

* Procedure:

While depressing the VIDEO and the CD buttons simultaneously, press the power [I/⏻] button to turn on the main power. The message FACTORY appears and the present contents are reset to the default values.

ALL CLEAR MODE

* All preset contents are cleared when this mode is activated. Use this mode before returning the product to clients upon completion of repair.

* Procedure:

While depressing the TUNER and the MD/TAPE buttons simultaneously, press the power [I/⏻] button to turn on the main power. The message INITIAL appears and initialization is performed.

SURROUND CLEAR MODE

* The preset sound field is cleared when this mode is activated. Use this mode before returning the product to clients upon completion of repair.

* Procedure:

While depressing the SOUND FIELD ON/OFF button, press the power [I/⏻] button to turn on the main power. The message SURR CLR appears and initialization is performed.

AM CHANNEL STEP 9 kHz/10 kHz SELECTION MODE

* Either the 9 kHz step or 10 kHz step can be selected for the AM channel step.

* Procedure:

Set the FUNCTION to AM. Turn off the main power.

While depressing the TUNING+ button or the PRESET+ button, press the power [I/⏻] button to turn on the main power. Either the message AM 9 k STEP or AM 10 k STEP appears. Select the desired step.

* For US/Canadian/E model only

KEY CHECK MODE

* Button check

* Procedure:

While depressing the MD/TAPE and the CD buttons simultaneously, press the power [I/⏻] button to turn on the main power.

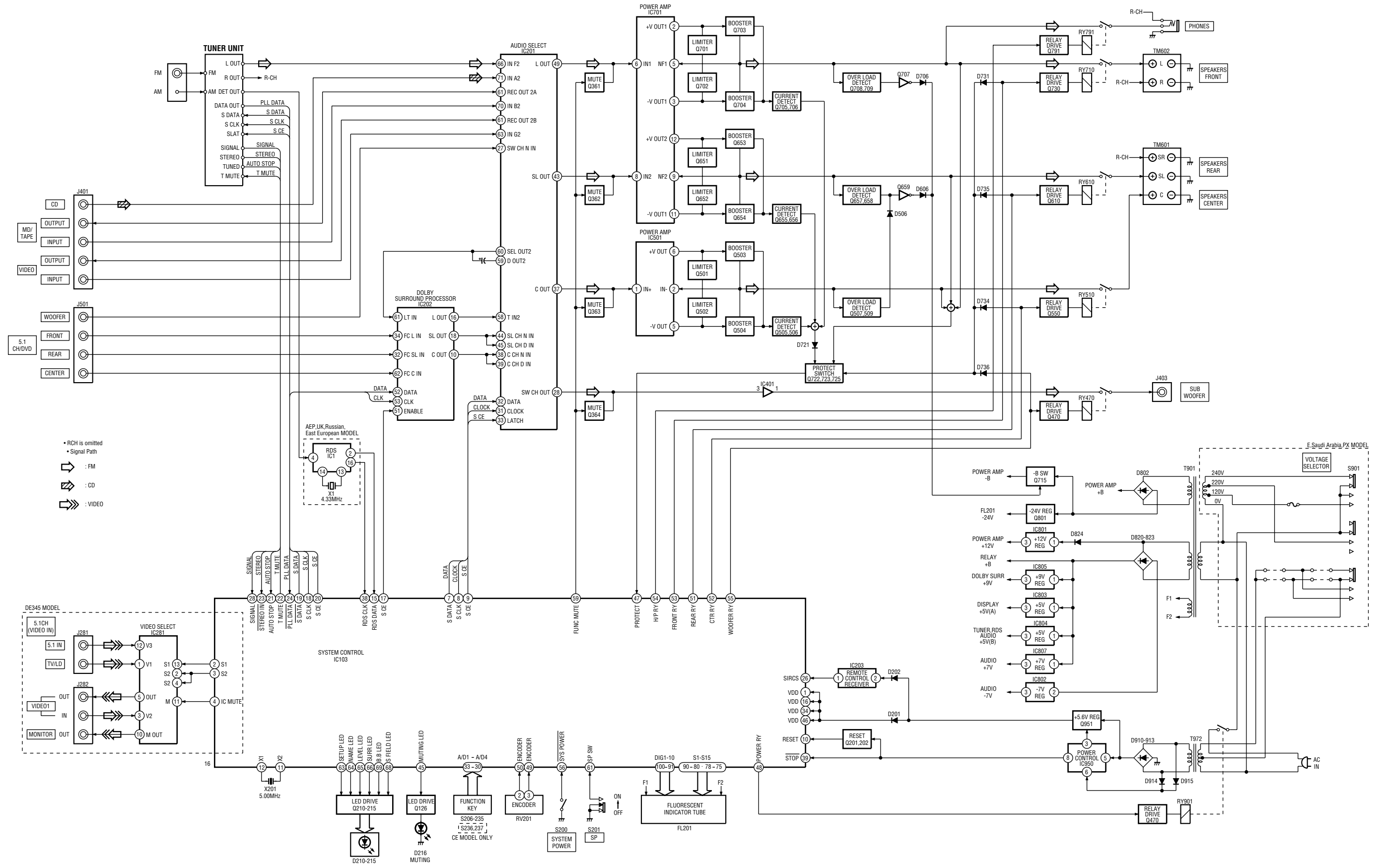
“RES 36 KEY” appears.

Every pressing of any button other than [I/⏻] and SPEAKERS counts down the buttons. The buttons which are already counted once are not counted again. When all buttons are pressed “RES 00 KEY” appears.

When MASTER VOLUME is rotated in clockwise direction, “VOL MIN”, “VOL 1” to “VOL 30”, “VOL MAX” appear.

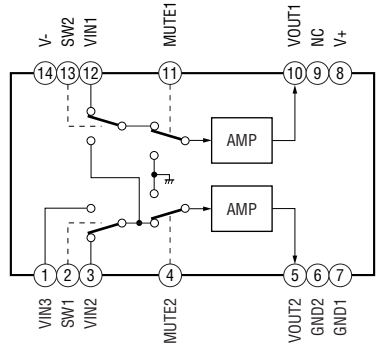
SECTION 3 DIAGRAMS

3-1. BLOCK DIAGRAM

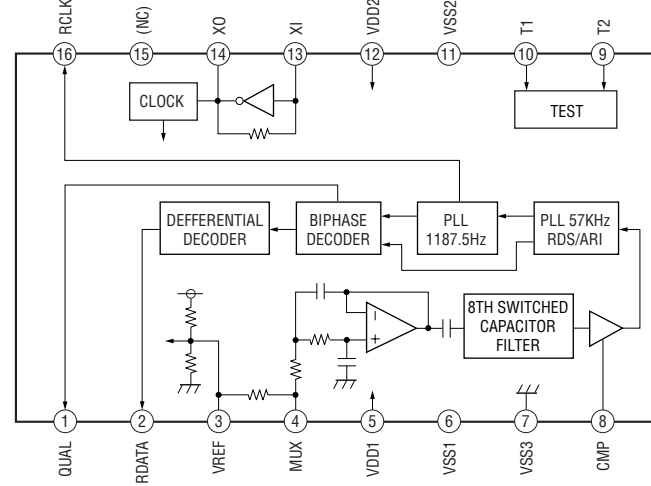


3-2. IC BLOCK DIAGRAMS

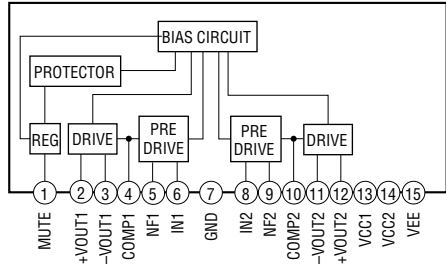
IC281 NJM2279 (VIDEO BOARD)



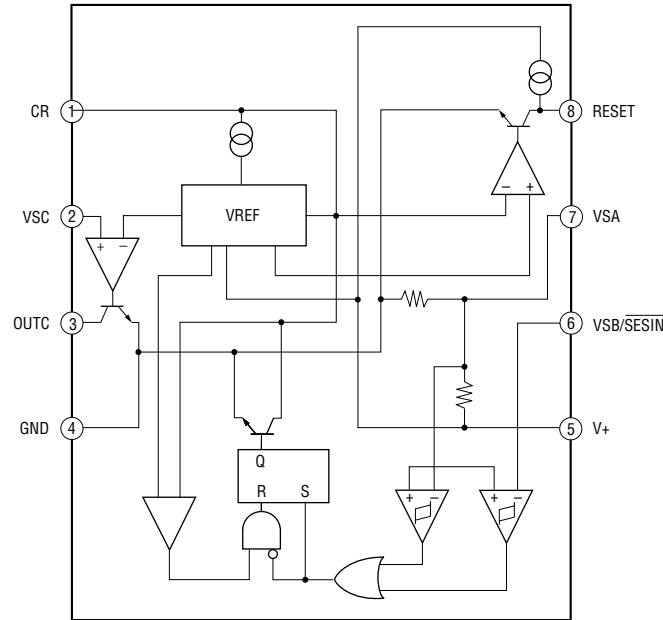
IC1 BU1924 (MAIN BOARD)



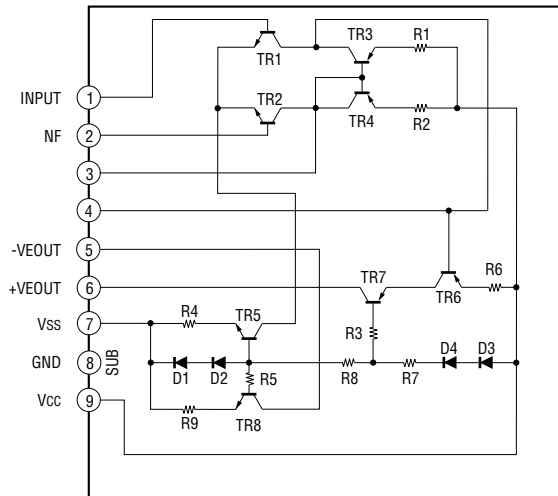
IC701, IC702 uPC2581V (MAIN BOARD)



IC950 NJM2103 (POWER BOARD)



IC501 STK350-230 (MAIN BOARD)



3-3. IC PIN FUNCTION DESCRIPTION




IC103 μPD780205GF (DISPLAY BOARD)

Pin No.	Pin Name	I/O	Description
1	VDD +5V	I	Power supply to μ-com
2	S1	O	Control Video IC switching
3	S2	O	Control Video IC switching
4	IC.MUTE	O	Control mute of Video IC
5	P34	—	
6	P33	—	
7	S.DATA (M61501FP)	O	Volume IC data
8	S.CLK (M61501FP)	O	Volume IC clock
9	S.CE (M61501FP)	O	Volume IC enable
10	RESET	I	Read μ-com reset signal
11	X2	—	
12	X1	—	For μ-com clock
13	VSS	—	Programming pow. supply
14	—	—	No use
15	RDS.DATA.IN	I	Read decoded RDS data
16	VDD +5V	—	Power supply to μ-com
17	S.CE (LV1050M)	O	Chip enable for ICs
18	S.CLK(DOLBY.TUNER)	O	Output clock signal
19	S.DATA(DOLBY.TUNER)	O	Output data signal
20	S.CE (TUNER)	O	Chip enable for ICs
21	AUTO-STOP	I	Tuner has tuned to a freq.
22	T.MUTE	O	Mute tuner during scanning
23	STEREO-IN	I	Tuned freq. has stereo
24	PLL.DATA	I	Input tuner freq. data
25	AVSS	—	Analog ground
26	SIRCS	I	Read remote comm. signal
27	P16	—	
28	SIGNAL	I	Detect RDS signal level
29	VERSION	I	Read version setting
30	A/D IV	I	Read key push signal
31	A/D III	I	Read key push signal
32	A/D II	I	Read key push signal
33	A/D I	I	Read key push signal
34	AVDD +5.0V	—	Analog Power Supply
35	AVREF	—	Analog reference ground
36	P03	—	
37	P02	—	
38	RDS.CLK.IN	I	Read decoded RDS clock
39	STOP	I	Read signal when AC off
40	VSS	—	μ-com ground
41	P74	—	
42	P73	—	
43	P72	—	
44	P71	—	
45	MUTING LED	O	Control mute LED
46	VDD +5.0V	—	Power supply to μ-com
47	PROTECT	I	Detect Protector Status
48	POWER-RY	O	Control Power relay
49	ENCODER	I	Read volume encoder changing
50	ENCODER	I	Read volume encoder changing

Pin No.	Pin Name	I/O	Description
51	REAR-RY	O	Control rear relay on/off
52	CTR-RY	O	Control center relay
53	FRONT-RY	O	Control speaker relay
54	H/P-RY	O	Control Headphone relay
55	WOOFER RY	O	Control Woofer relay
56	SYS.POWER	I	Detect power switch key
57	P115	—	
58	P114	—	
59	FUNC.MUTE	O	Control muting circuit
60	P112	—	
61	SP SW	I	Read speaker switch condition
62	P110	—	
63	SET UP LED	O	Control Setup LED
64	NAME LED	O	Control Name LED
65	LEVEL LED	O	Control LEVEL LED
66	SURR LED	O	Control SURR LED
67	P103	—	
68	S.FIELD LED	O	Control SF LED
69	B.B. LED	O	Control Bass Boost LED
70	P100	—	
71 – 74	P97 – P94	—	
75 – 78	S15 – S12	O	Output signal to FL tube
79	VLOAD	I	Negative power supply
80 – 84	S11 – S7	—	
85 – 90	S6 – S1	O	Output signal to FL tube
91 – 100	DIG10 – DIG1	O	Output signal to FL tube

THIS NOTE IS COMMON FOR PRINTED WIRING BOARDS AND SCHEMATIC DIAGRAMS.
(In addition to this necessary note is printed in each block.)








For schematic diagrams.

- Note:**
- All capacitors are in μF unless otherwise noted. pF : μF 50 WV or less are not indicated except for electrolytics and tantalums.
 - All resistors are in Ω and $1/4\text{ W}$ or less unless otherwise specified.
 - % : indicates tolerance.
 - Δ : internal component.
 -  : nonflammable resistor.
 -  : fusible resistor.
 -  : panel designation.

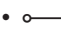
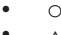


Note:
The components identified by mark Δ or dotted line with mark Δ are critical for safety. Replace only with part number specified.

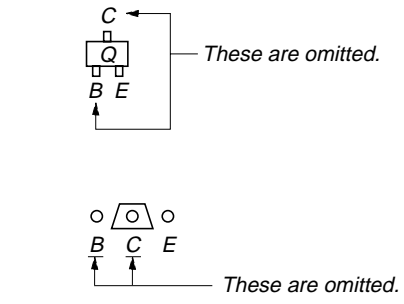
Note:
Les composants identifiés par une marque Δ sont critiques pour la sécurité. Ne les remplacer que par une pièce portant le numéro spécifié.

以阴影和 Δ 标志来识别的零部件，在安全方面具有关键性。因此只能以规定号码的零部件来更换。

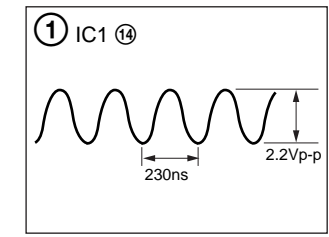
-  : B+ Line.
-  : B- Line.
-  : adjustment for repair.
- Voltages and waveforms are dc with respect to ground under no-signal (detuned) conditions. No mark : FM
- Voltages are taken with a VOM (Input impedance 10 M Ω). Voltage variations may be noted due to normal production tolerances.
- Waveforms are taken with an oscilloscope.
- Circled numbers refer to waveforms.
- Signal path.
 -  : FM
 -  : CD
 -  : VIDEO
 -  : PHONO
- Abbreviation
 - CND : Canadian model.
 - AUS : Australian model.
 - SP : Singapore model.
 - MY : Malaysia model.
 - AR : Argentine model.
 - CH : Chinese model.
 - MX : Mexican model.
 - CIS : Russian model.
 - EA : Saudi Arabia model.
 - EE : East European model.

For printed wiring boards.

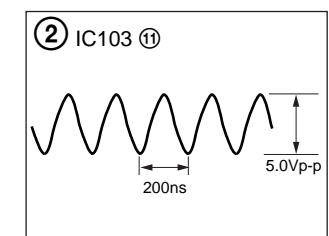
- Note:**
-  : parts extracted from the component side.
 -  : Through hole.
 -  : internal component.
 -  : Pattern from the side which enables seeing.



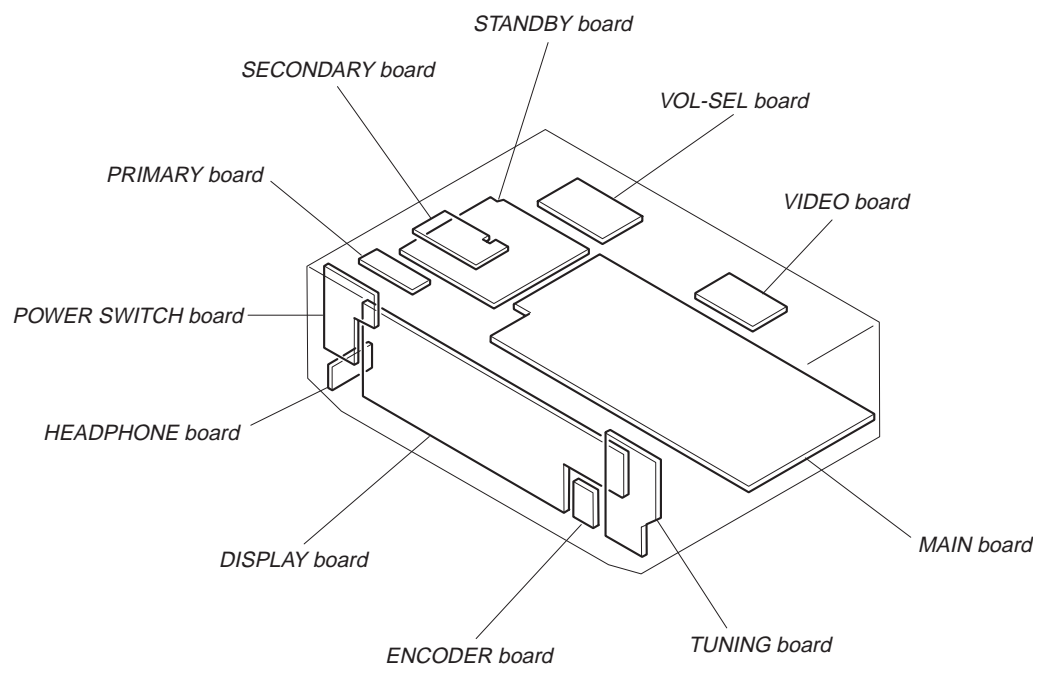
• Waveform – MAIN SECTION –

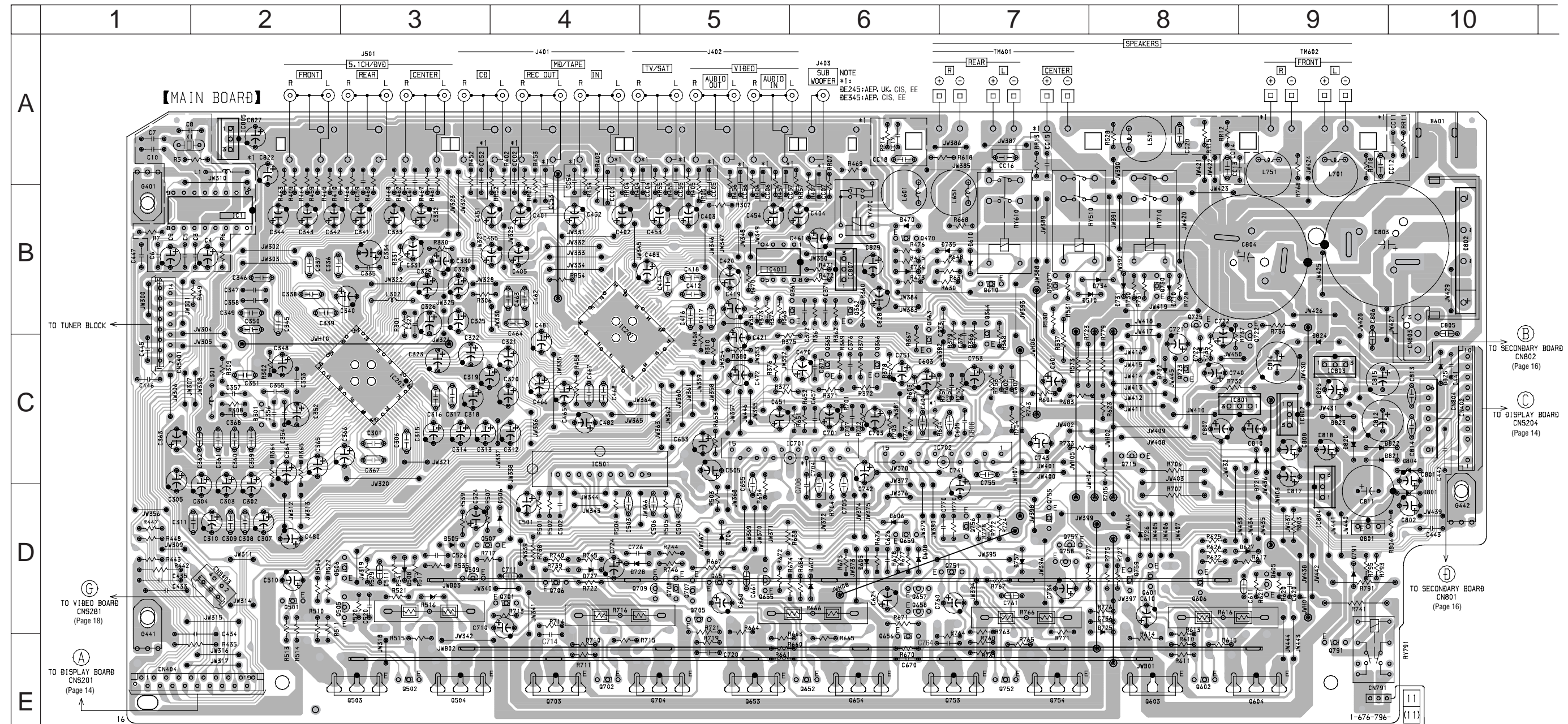


– PANEL SECTION –



3-4. CIRCUIT BOARDS LOCATION

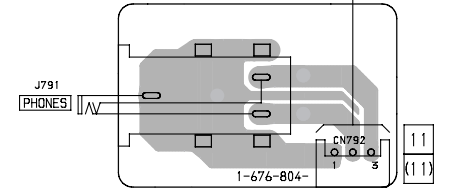




• Semiconductor Location

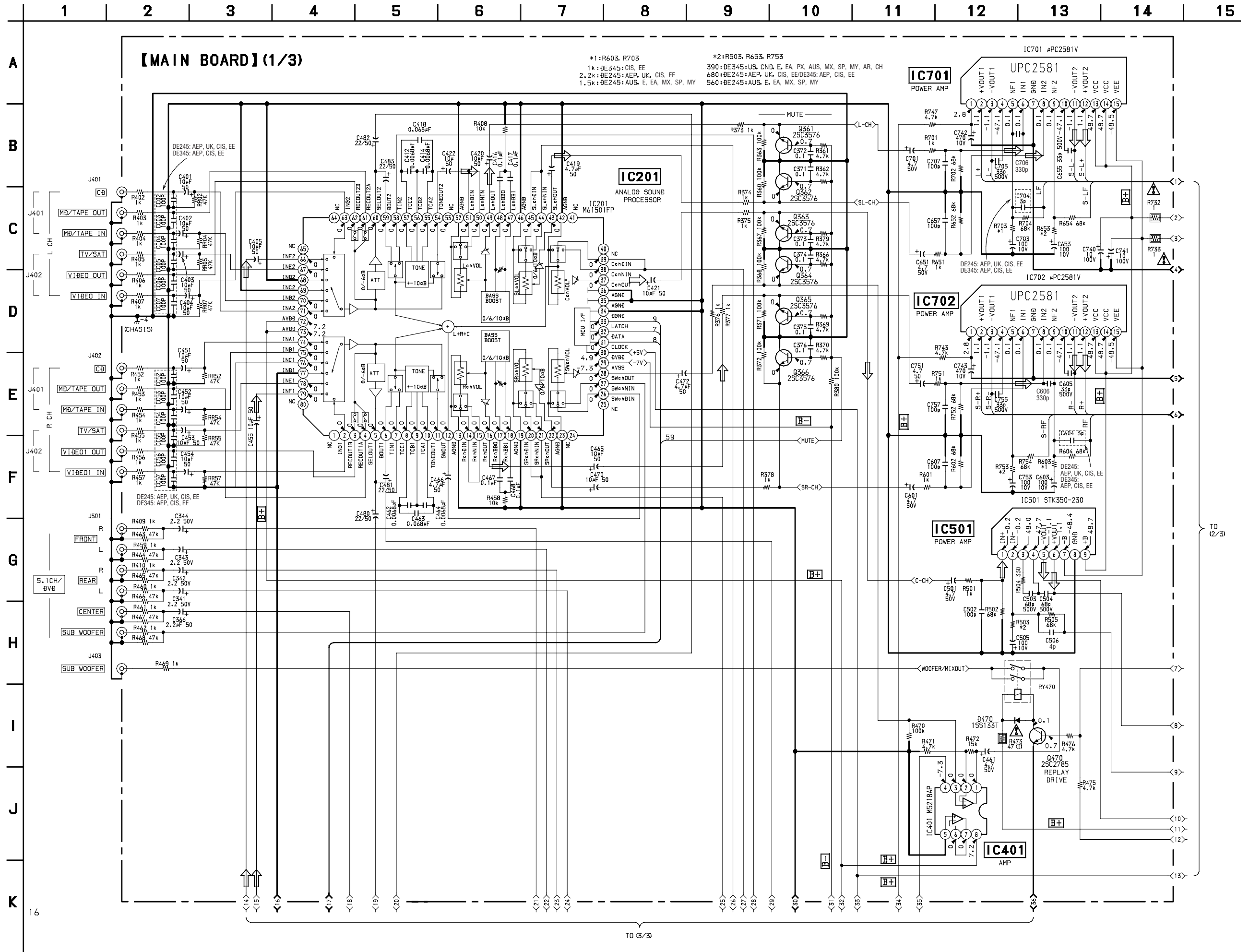
Ref. No.	Location	Ref. No.	Location	Ref. No.	Location	Ref. No.	Location	Ref. No.	Location	Ref. No.	Location	Ref. No.	Location
D470	B-6	D757	D-7	IC807	B-6	Q610	B-7	Q751	D-7	IC3517	J-12	Q3502	H-12
D505	D-3	D791	D-9			Q651	D-5	Q752	E-7	Q3301	G-3	Q3503	H-12
D506	D-4	D801	C-10	Q361	B-5	Q652	E-6	Q753	E-7	Q3302	G-3	Q3504	G-12
D508	D-3	D802	B-10	Q362	B-6	Q653	E-5	Q754	E-7	Q3303	G-4	Q3505	G-12
D510	B-8	D804	C-10	Q363	B-6	Q654	E-6	Q755	D-7	Q3304	G-3	Q3506	G-12
D605	D-6	D820	C-9	Q364	B-7	Q655	D-5	Q756	D-7	Q3305	G-3	Q3511	G-11
D606	C-6	D821	C-10	Q365	C-6	Q656	D-6	Q757	D-7	Q3306	H-3	Q3512	H-11
D607	D-6	D822	C-10	Q366	C-6	Q657	D-6	Q758	D-7	Q3307	G-6	Q3513	G-11
D608	D-6	D823	C-9	Q470	B-6	Q658	D-6	Q759	D-8	Q3308	B-11	Q3514	G-11
D610	B-7	D824	B-9	Q501	D-2	Q659	D-6	Q791	D-9	Q3309	H-5	Q3515	I-11
D627	D-9	D825	B-10	Q502	E-3	Q701	D-4	Q801	D-9	Q3310	D-12	Q3516	I-11
D706	D-5			Q503	E-3	Q702	E-4			Q3311	H-5	Q3517	H-11
D710	B-8			Q504	E-3	Q703	E-4	IC3505	G-11	Q3312	D-12	Q3518	H-11
D721	C-9	IC201	B-4	Q505	D-2	Q704	E-5	IC3506	I-10	Q3313	H-5	Q3519	J-11
D722	B-8	IC202	C-3	Q506	D-2	Q705	D-5	IC3507	I-11	Q3314	D-12	Q3520	J-11
D725	D-8	IC401	B-5	Q507	D-3	Q706	D-4	IC3508	H-10	Q3315	G-5	Q3521	J-11
D726	D-8	IC501	C-4	Q509	D-3	Q707	D-5	IC3509	H-11	Q3401	G-8	Q3522	J-11
D727	D-4	IC701	C-6	Q550	B-7	Q708	D-5	IC3510	J-10	Q3402	H-8		
D728	D-4	IC702	C-7	Q601	D-8	Q709	D-5	IC3511	J-11	Q3403	H-7		
D731	B-8	IC801	C-8	Q602	E-8	Q715	C-8	IC3512	J-10	Q3404	H-7		
D732	B-8	IC802	C-9	Q603	E-8	Q722	B-9	IC3513	J-11	Q3405	H-7		
D734	B-8	IC803	C-9	Q604	E-9	Q723	C-8	IC3514	I-11	Q3406	G-6		
D735	B-7	IC804	C-9	Q605	D-9	Q725	B-8	IC3515	J-11	Q3407	D-4		
D736	B-6	IC805	A-2	Q606	D-8	Q730	B-8	IC3516	I-12	Q3501	H-12		

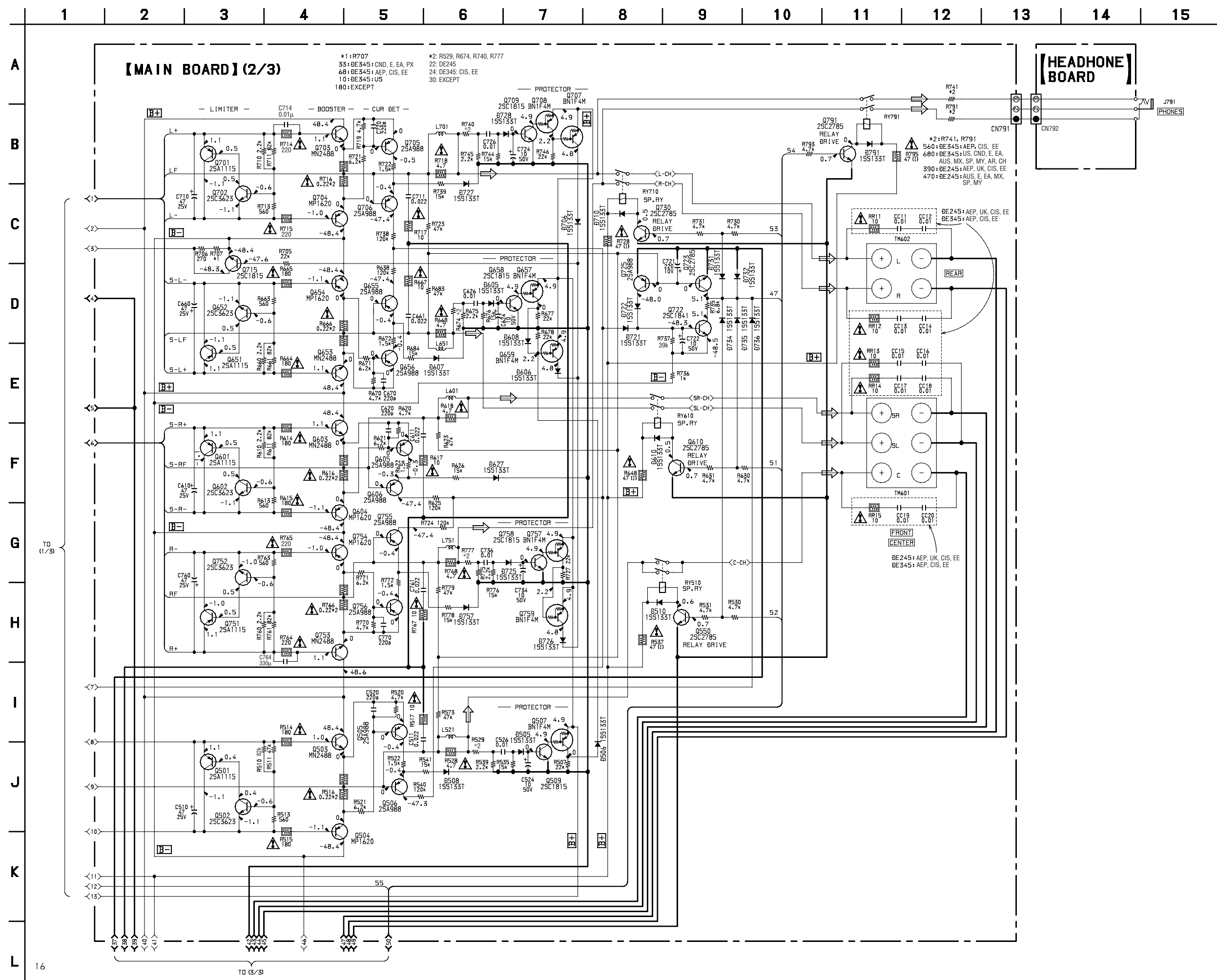
【HEADPHONE BOARD】



3-6. SCHEMATIC DIAGRAM MAIN SECTION (1/3)

• Refer to page 8 for IC Block Diagrams.





A

B

C

D

E

F

G

H

I

J

K

L

1

2

3

4

5

6

7

8

9

10

11

12

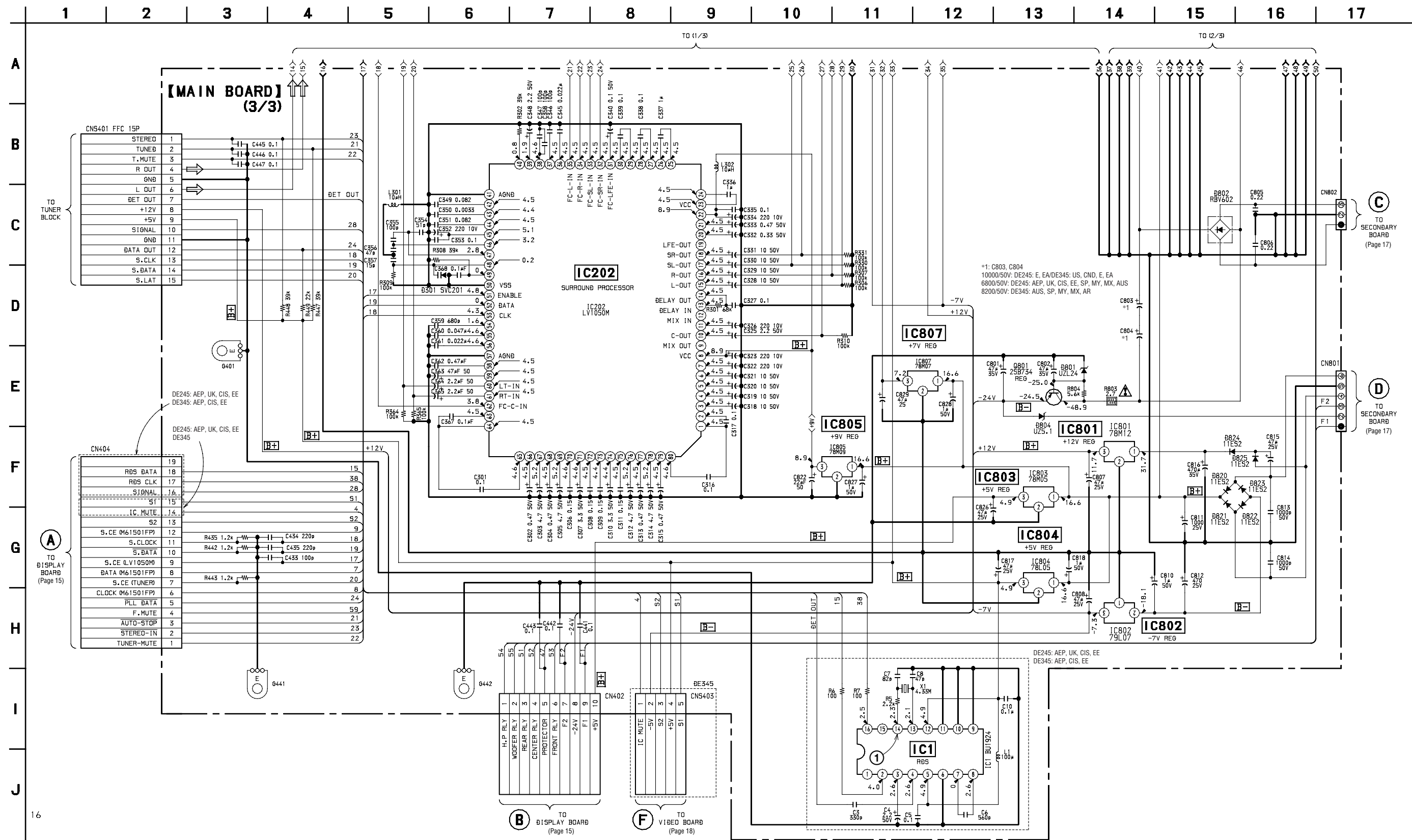
13

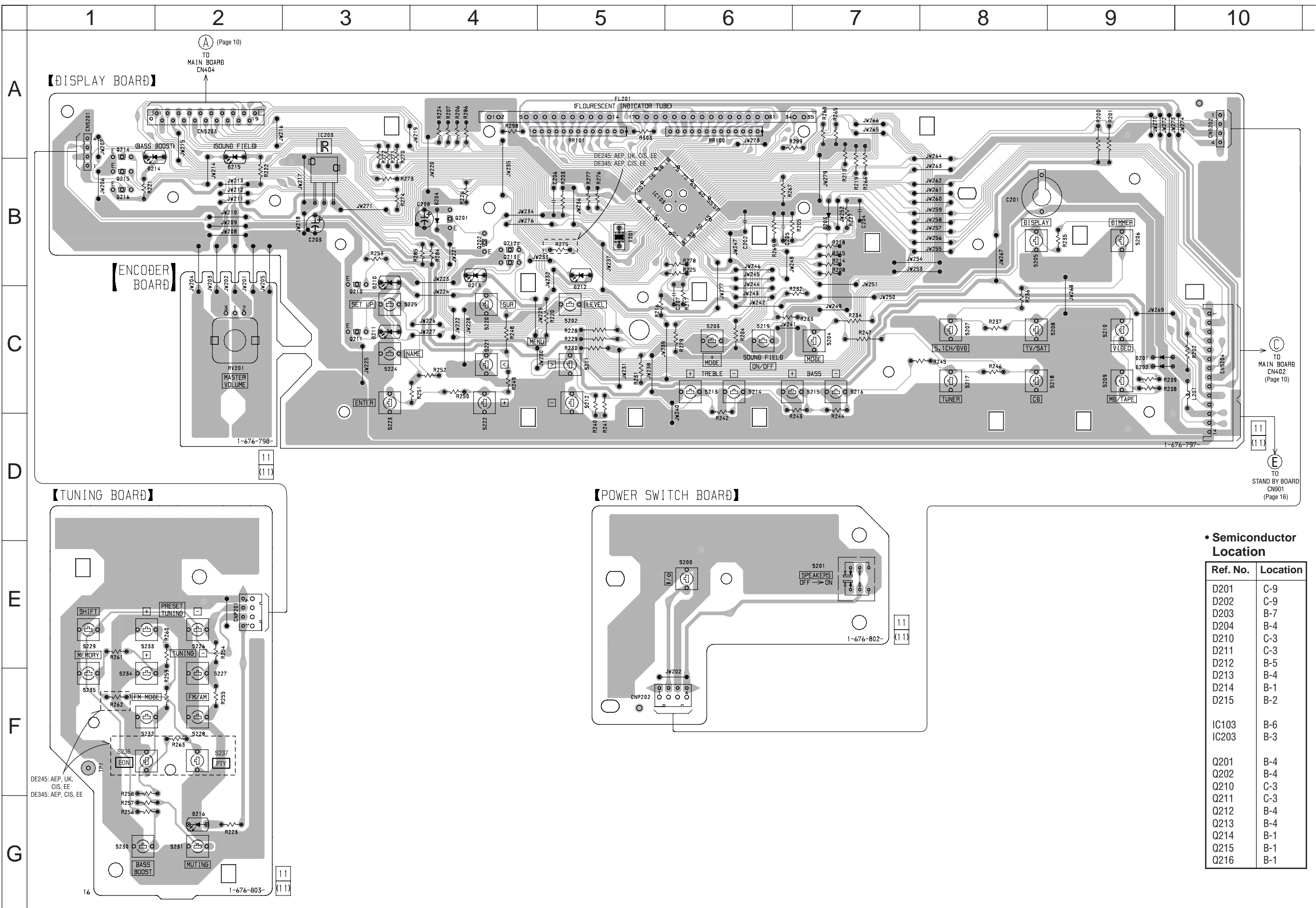
14

15

3-8. SCHEMATIC DIAGRAM MAIN SECTION (3/3)

- Refer to page 8 for IC Block Diagrams.
- Refer to page 9 for Waveforms.

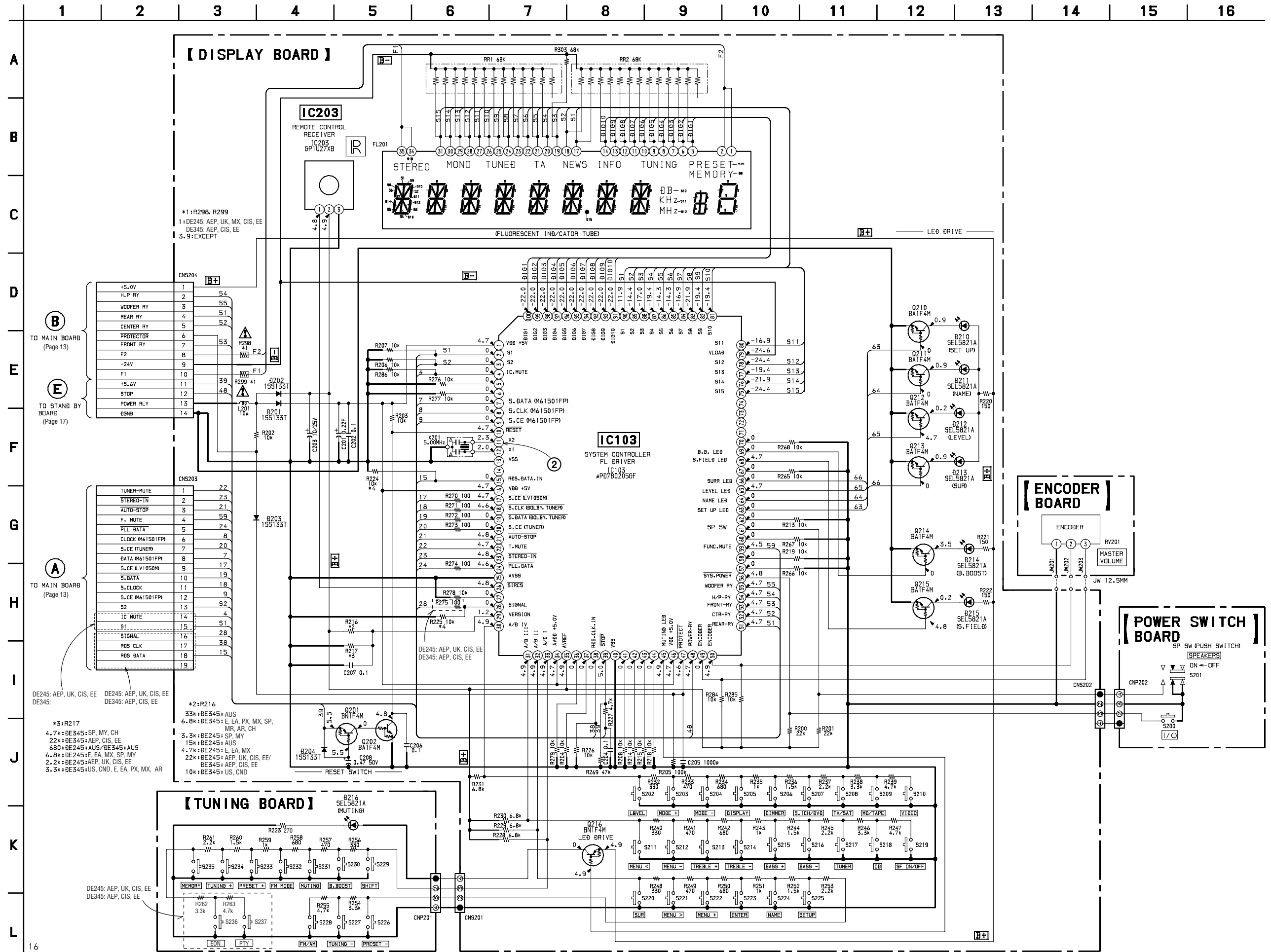


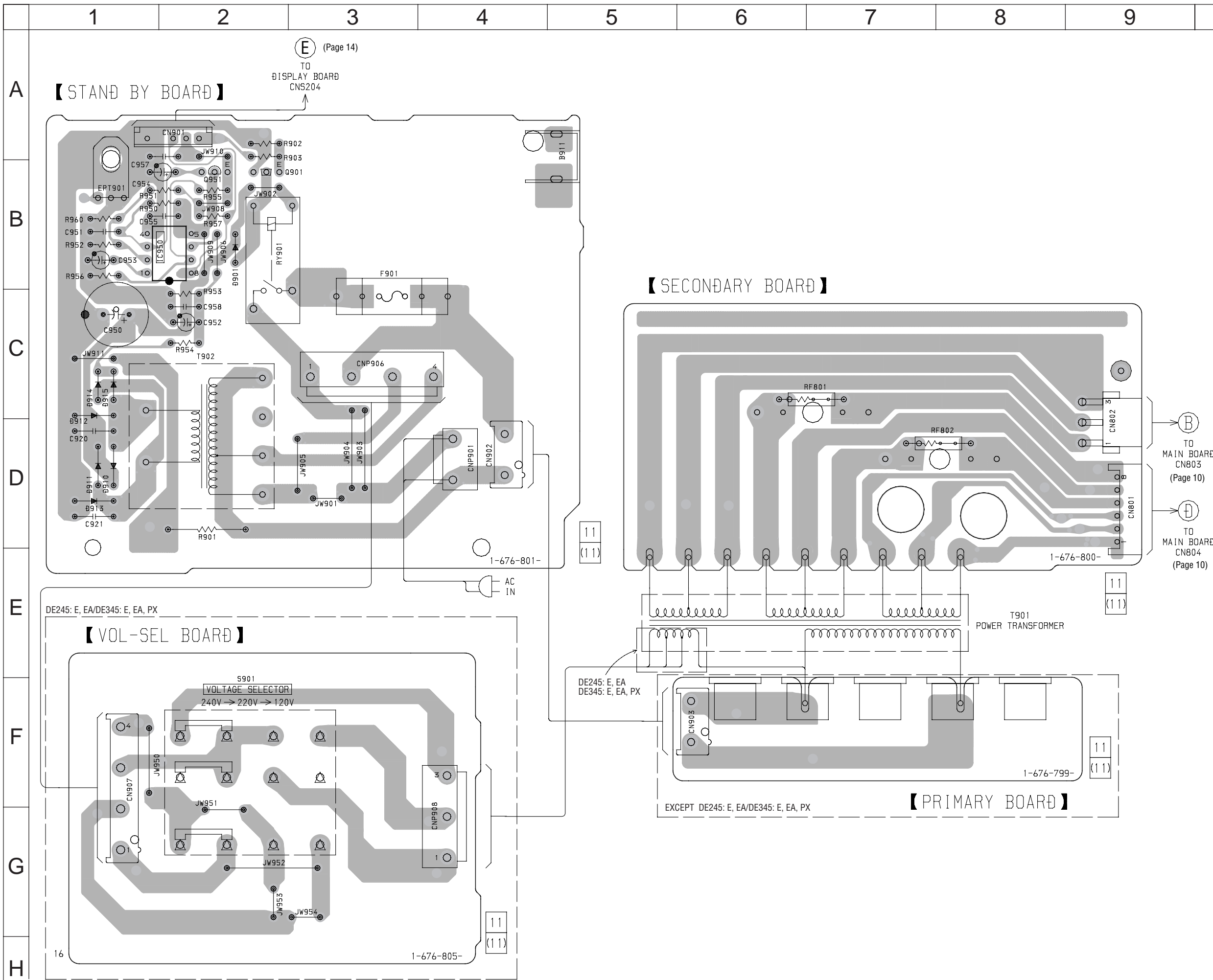


• Semiconductor Location

Ref. No.	Location
D201	C-9
D202	C-9
D203	B-7
D204	B-4
D210	C-3
D211	C-3
D212	B-5
D213	B-4
D214	B-1
D215	B-2
IC103	B-6
IC203	B-3
Q201	B-4
Q202	B-4
Q210	C-3
Q211	C-3
Q212	B-4
Q213	B-4
Q214	B-1
Q215	B-1
Q216	B-1

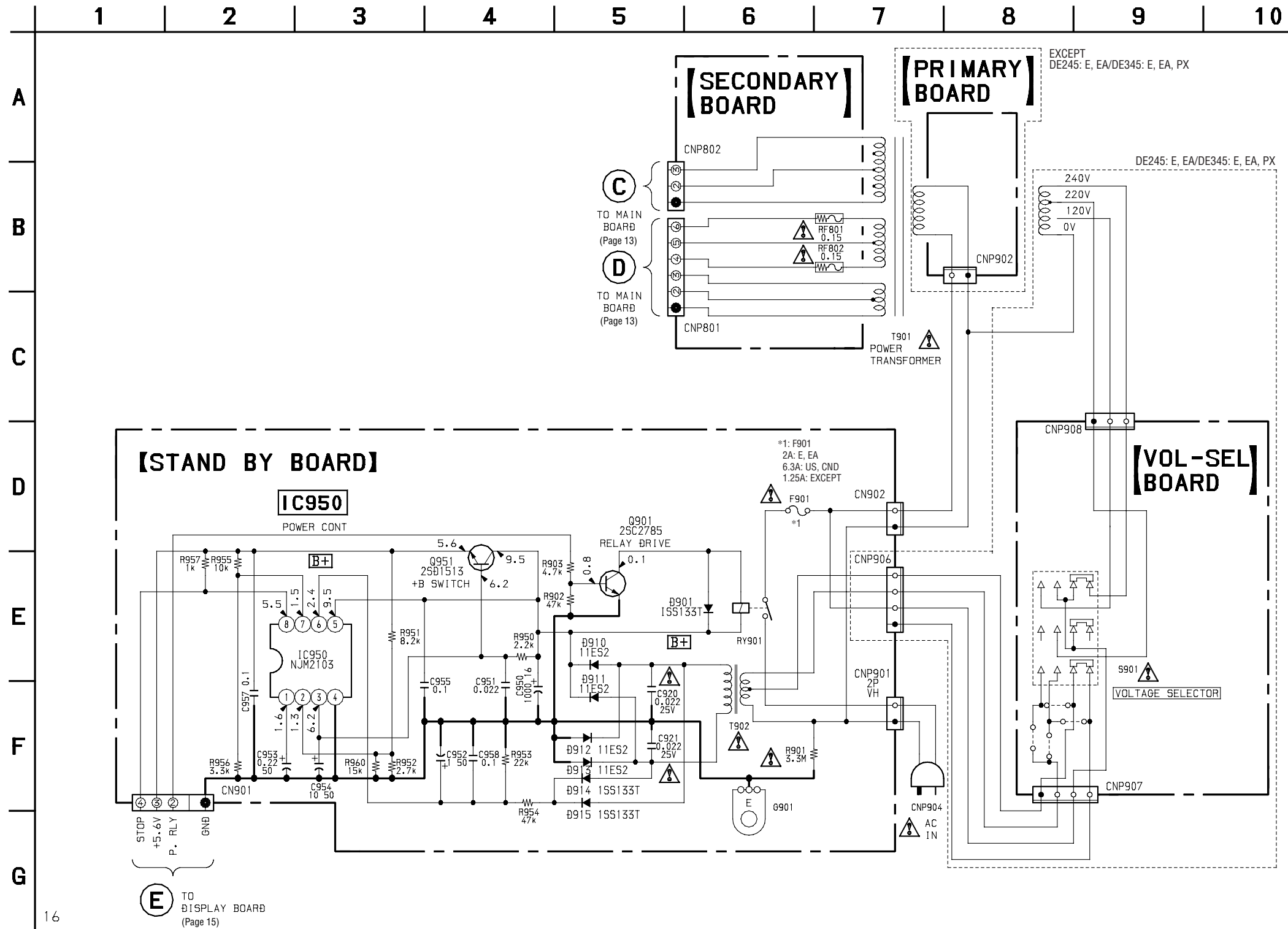
3-10. SCHEMATIC DIAGRAM PANEL SECTION • Refer to page 8 for IC Pin Function.



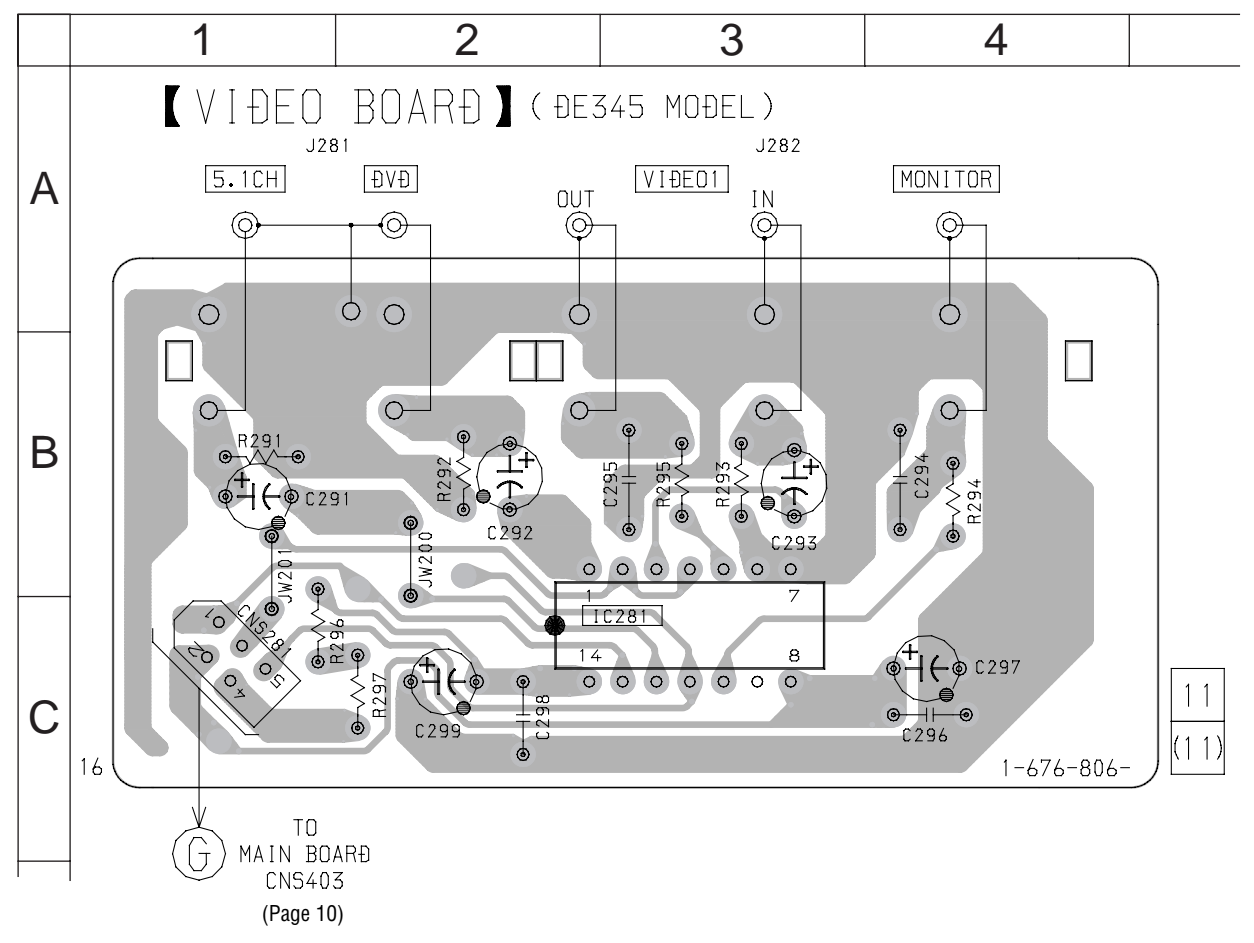


3-12. SCHEMATIC DIAGRAM POWER SECTION

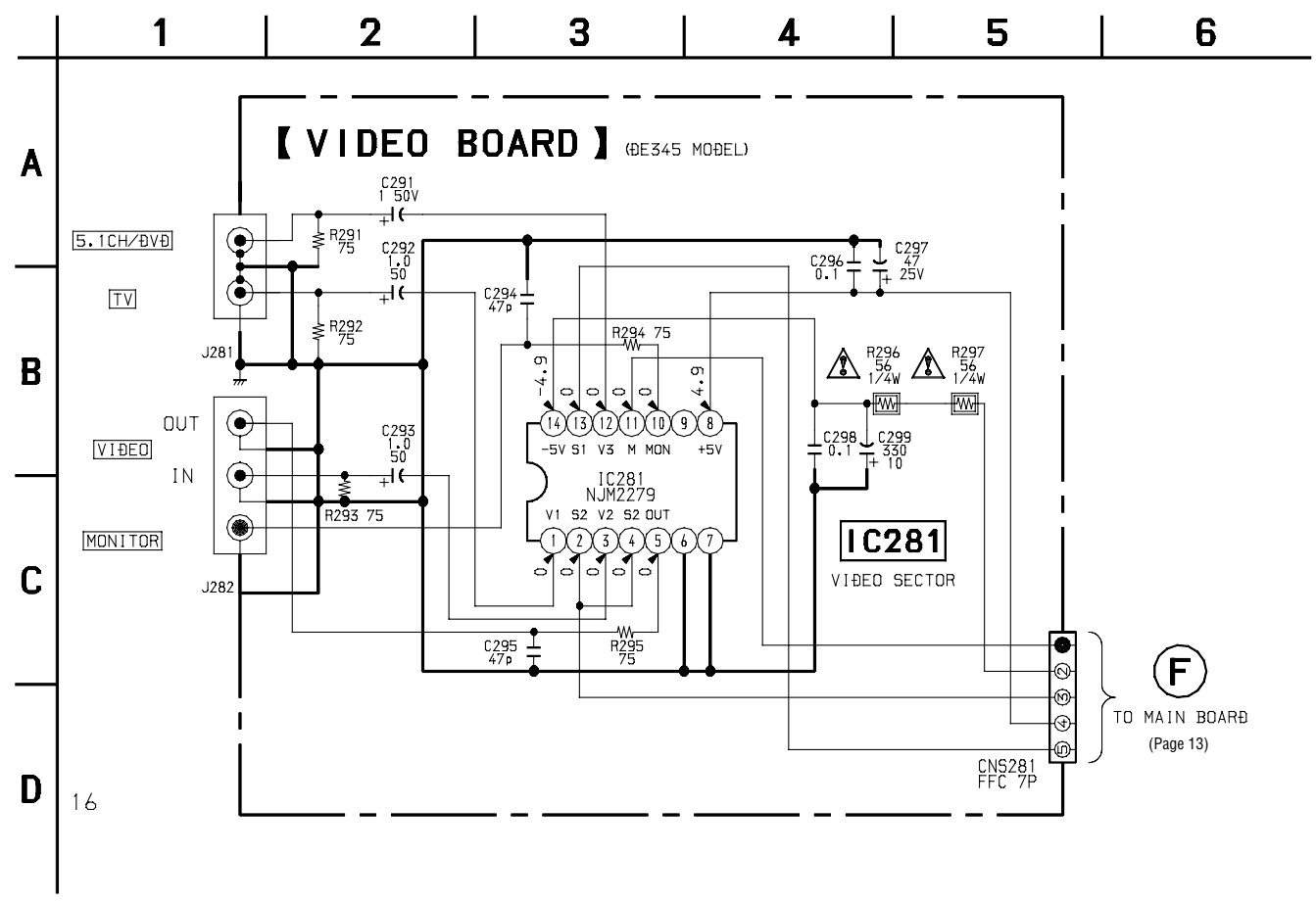
• Refer to page 8 for IC Block Diagrams.



3-13. PRINTED WIRING BOARD VIDEO SECTION • Refer to page 9 for Circuit Boards Location.



3-14. SCHEMATIC DIAGRAM VIDEO SECTION • Refer to page 8 for IC Block Diagrams.



SECTION 4 EXPLODED VIEWS

NOTE:

- XX, -X mean standardized parts, so they may have some differences from the original one.
- Items marked "*" are not stocked since they are seldom required for routine service. Some delay should be anticipated when ordering these items.
- The mechanical parts with no reference number in the exploded views are not supplied.
- Hardware (# mark) list and accessories and packing materials are given in the last of this parts list.

- Color Indication of Appearance Parts Example:
KNOB, BALANCE (WHITE) . . . (RED)

↑
↑

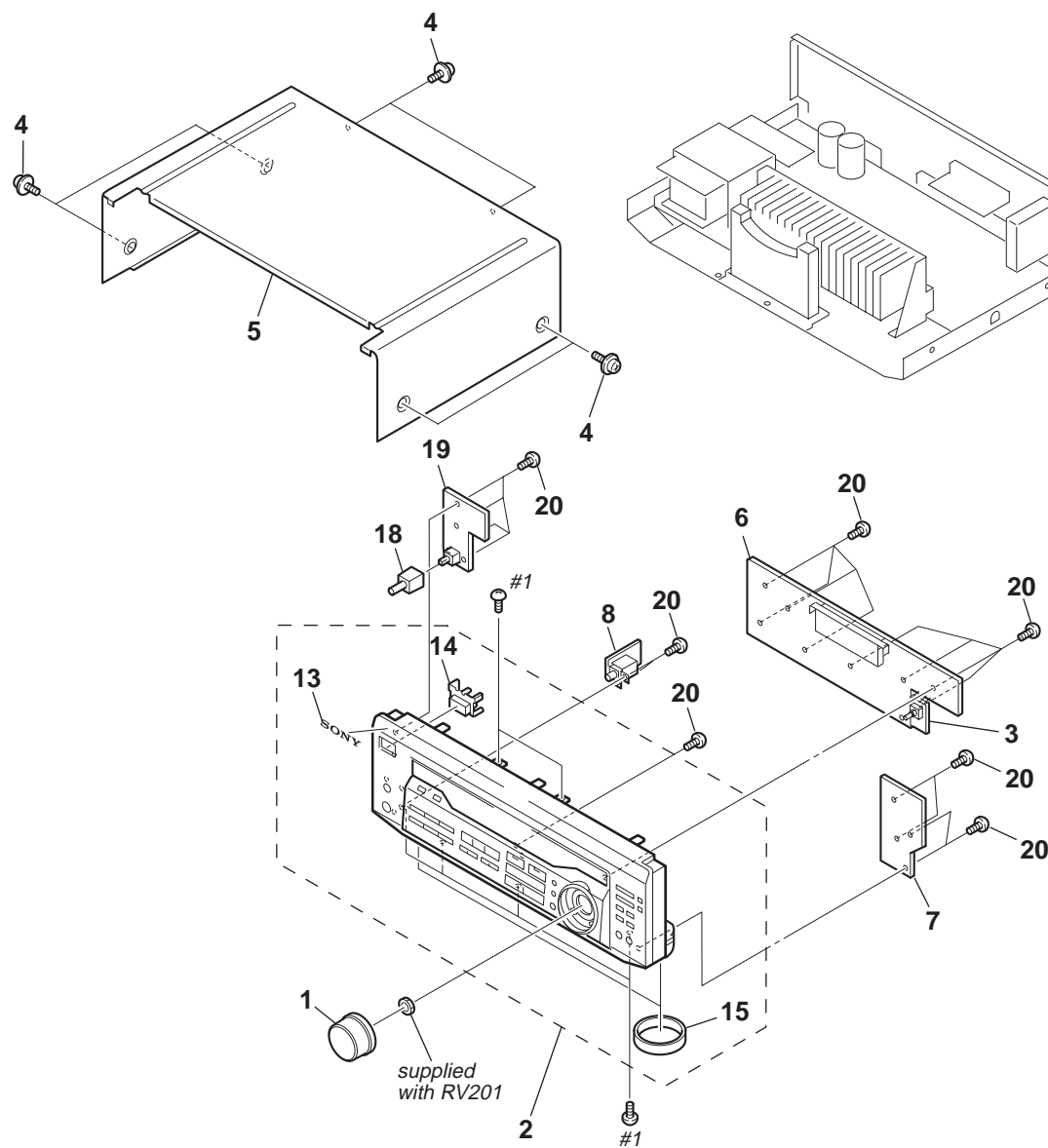
 Parts of Color Cabinet's Color
- Abbreviation
 CND : Canadian model.
 AUS : Australian model.
 SP : Singapore model.
 MY : Malaysia model.
 AR : Argentine model.
 CH : Chinese model.
 MX : Mexican model.
 CIS : Russian model.
 EA : Saudi Arabian model.
 EE : East European model.

The components identified by mark Δ or dotted line with mark Δ are critical for safety. Replace only with part number specified.

Les composants identifiés par une marque Δ sont critiques pour la sécurité. Ne les remplacer que par une pièce portant le numéro spécifié.

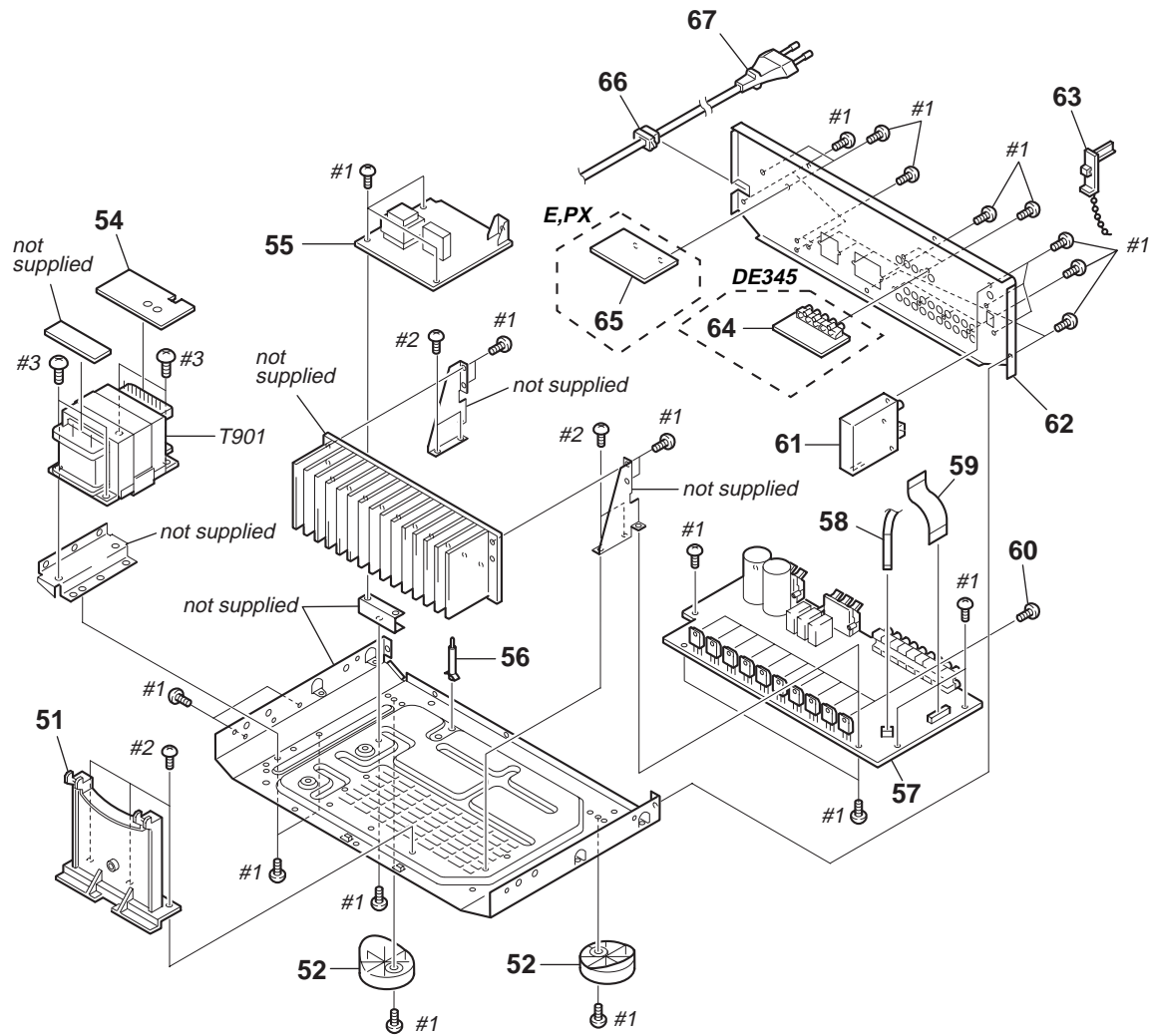
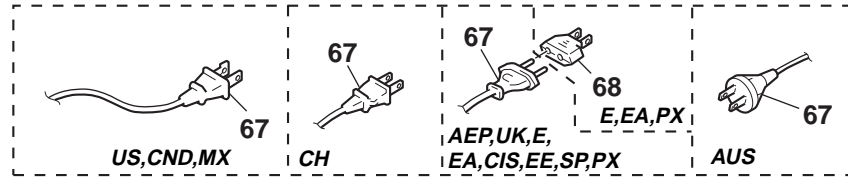
以阴影和 Δ 标志来识别的零部件在安全方面具有关键性。因此只能以规定号码的零部件来更换。

4-1. FRONT PANEL SECTION



Ref. No.	Part No.	Description	Remarks	Ref. No.	Part No.	Description	Remarks
1	4-226-453-01	KNOB(VOL-E3) (DE245:AUS,SP,MY/DE345:US,CND,E,EA,PX,AUS,MX,SP,MY,AR,CH)		6	A-4428-390-A	DISPLAY BOARD, COMPLETE (DE345:SP,MY,CH)	
1	4-226-453-31	KNOB(VOL-E3) (BLACK) (DE245:AEP,UK,CIS,EE/DE345:AEP,CIS,EE)		6	A-4428-393-A	DISPLAY BOARD, COMPLETE (DE345:E,EA,PX)	
1	4-226-453-61	KNOB(VOL-E3) (DE245:E,EA,MX)		6	A-4428-397-A	DISPLAY BOARD, COMPLETE (DE345:CND)	
1	4-226-453-71	KNOB(VOL-E3) (SILVER) (DE245:AEP,UK,CIS,EE)		6	A-4428-400-A	DISPLAY BOARD, COMPLETE (DE245:AUS)	
2	X-4952-589-1	FRONT PANEL ASSY (DE345:US,CND)		6	A-4428-404-A	DISPLAY BOARD, COMPLETE (DE245:SP,MY)	
2	X-4952-630-1	FRONT PANEL ASSY (BLACK) (DE245:AEP,UK,CIS,EE)		6	A-4428-406-A	DISPLAY BOARD, COMPLETE (DE245:E,EA)	
2	X-4952-915-1	FRONT PANEL ASSY (SILVER) (DE245:AEP,UK,CIS,EE)		6	A-4428-409-A	DISPLAY BOARD, COMPLETE (DE245:AEP,UK,CIS,EE)	
2	X-4952-631-1	FRONT PANEL ASSY (DE345:E,EA,PX,AUS,MX,SP,MY,AR)		6	A-4428-413-A	DISPLAY BOARD, COMPLETE (DE345:AEP,CIS,EE)	
2	X-4952-632-1	FRONT PANEL ASSY (DE345:CH)		6	A-4473-331-A	DISPLAY BOARD, COMPLETE (DE345:MX)	
2	X-4952-633-1	FRONT PANEL ASSY (DE345:AEP,CIS,EE)		6	A-4473-333-A	DISPLAY BOARD, COMPLETE (DE345:AR)	
2	X-4952-634-1	FRONT PANEL ASSY (DE245:AUS,SP,MY)		6	A-4473-336-A	DISPLAY BOARD, COMPLETE (DE245:MX)	
2	X-4952-932-1	FRONT PANEL ASSY (DE245:E,EA,MX)		7	1-676-803-11	TUNING BOARD	
3	1-676-798-11	ENCODER BOARD		8	1-676-804-11	HEADPHONE BOARD	
4	4-210-291-01	SCREW (CASE 3 TP2)		13	4-996-698-81	EMBLEM, SONY	
5	4-218-845-01	UPPER CASE (DE245:AUS,E,EA,SP,MY/DE345:US,CND,E,EA,PX,AUS,MX,SP,MY,AR,CH)		14	4-996-683-61	BUTTON (POWER)	
5	4-998-206-41	UPPER CASE (BLACK)		15	4-977-593-01	RING(DIA. 50), ORNAMENTAL	
5	4-998-206-61	UPPER CASE (SILVER)		18	4-226-445-01	BUTTON (S) (DE245:AUS,SP,MY/DE345:US,CND,E,EA,PX,AUS,MX,SP,MY,AR,CH)	
6	A-4428-267-A	DISPLAY BOARD, COMPLETE (DE345:US)		18	4-226-445-31	BUTTON (S) (DE245:AEP,UK,CIS,EE/DE345:AP,CIS,EE)	
6	A-4428-383-A	DISPLAY BOARD, COMPLETE (DE345:CND)		18	4-226-445-61	BUTTON (S) (DE245:E,EA,MX)	
6	A-4428-386-A	DISPLAY BOARD, COMPLETE (DE345:AUS)		19	1-676-802-11	POWER SWITCH BOARD	
				20	4-951-620-01	SCREW (2.6X8), +BVTP	

4-2. CHASSIS SECTION



Ref. No.	Part No.	Description	Remarks	Ref. No.	Part No.	Description	Remarks
51	4-226-458-01	SUB-MOLD (E3)		61	1-693-407-41	TUNER	
52	X-4951-458-1	FOOT ASSY (DE245:AUS,E,EA,SP,MY/ DE345:US,CND,E,EA,PX,AUS,MX,SP,MY,AR,CH)		62	4-226-462-01	BACK PANEL (E3) (DE345:US)	
52	X-4952-804-1	FOOT ASSY (DE245:AEP,UK,CIS,EE/DE345:AEP,CIS,EE)		62	4-226-462-11	BACK PANEL (E3) (DE345:CND)	
52	X-4952-941-1	FOOT ASSY (DE245:MX)		62	4-226-462-21	BACK PANEL (E3) (DE345:AUS)	
54	1-676-800-11	SECONDARY BOARD		62	4-226-462-31	BACK PANEL (E3) (DE345:SP,MY)	
55	A-4428-270-A	STAND BY BOARD, COMPLETE (DE345:US,CND,MX)		62	4-226-462-41	BACK PANEL (E3) (DE345:CH)	
55	A-4428-279-A	STAND BY BOARD, COMPLETE (DE245:MX)		62	4-226-462-51	BACK PANEL (E3) (DE345:E,EA,PX)	
55	A-4428-388-A	STAND BY BOARD, COMPLETE (DE345:AUS)		62	4-226-462-61	BACK PANEL (E3) (DE345:AEP)	
55	A-4428-391-A	STAND BY BOARD, COMPLETE (DE345:SP,MY,AR)		62	4-226-462-71	BACK PANEL (E3) (DE345:CIS,EE)	
55	A-4428-392-A	STAND BY BOARD, COMPLETE (DE345:CH)		62	4-226-468-21	BACK PANEL (E2) (DE245:AUS)	
55	A-4428-395-A	STAND BY BOARD, COMPLETE (DE345:E,EA,PX,MY)		62	4-226-468-31	BACK PANEL (E2) (DE245:SP,MY)	
55	A-4428-402-A	STAND BY BOARD, COMPLETE (DE245:AUS)		62	4-226-468-41	BACK PANEL (E2) (DE245:E,EA)	
55	A-4428-405-A	STAND BY BOARD, COMPLETE (DE245:SP,MY)		62	4-226-468-51	BACK PANEL (E2) (DE245:AEP,UK)	
55	A-4428-407-A	STAND BY BOARD, COMPLETE (DE245:E,EA)		62	4-226-468-61	BACK PANEL (E2) (DE245:MX,CIS,EE)	
55	A-4428-411-A	STAND BY BOARD, COMPLETE (DE245:AEP,UK,CIS,EE)		62	4-226-468-81	BACK PANEL (E3) (DE345:MX)	
55	A-4428-416-A	STAND BY BOARD, COMPLETE (DE345:AEP,CIS,EE)		62	4-226-462-91	BACK PANEL (E3) (DE345:AR)	
56	4-924-098-01	HOLDER, PC BOARD		63	4-956-370-12	BAND, PLUG FIXED (DE245:AUS/DE345:AUS)	
57	A-4428-268-A	MAIN BOARD, COMPLETE (DE345:US)		64	1-676-806-11	VIDEO BOARD (DE345)	
57	A-4428-387-A	MAIN BOARD, COMPLETE (DE345:AUS,SP,MY,CH)		65	1-676-805-11	VOL-SEL BOARD (DE245:E,EA/DE345:E,EA,PX)	
57	A-4428-394-A	MAIN BOARD, COMPLETE (DE345:CND,E,EA,PX)		66	3-703-244-00	BUSHING (FBS001), CORD	
57	A-4428-398-A	MAIN BOARD, COMPLETE (DE245:E,EA)		△ 67	1-696-847-11	CORD, POWER (AUS)	
57	A-4428-401-A	MAIN BOARD, COMPLETE (DE245:AUS,SP,MY)		△ 67	1-777-071-21	CORD, POWER (AEP,UK,E,EA,CIS,EE,SP,MY,PX)	
57	A-4428-410-A	MAIN BOARD, COMPLETE (DE245:AEP,UK,CIS,EE)		△ 67	1-783-205-11	CORD, POWER (CH)	
57	A-4428-414-A	MAIN BOARD, COMPLETE (DE345:AEP,CIS,EE)		△ 67	1-783-820-11	CORD, POWER (US,CND,MX)	
57	A-4473-330-A	MAIN BOARD, COMPLETE (DE345:MX)		68	1-569-008-21	ADAPTOR, CONVERSION 2P (E,EA,PX)	
57	A-4473-332-A	MAIN BOARD, COMPLETE (DE345:AR)		△ T901	1-435-267-11	TRANSFORMER, POWER (DE245:AUS)	
57	A-4473-335-A	MAIN BOARD, COMPLETE (DE245:MX)		△ T901	1-435-268-11	TRANSFORMER, POWER (DE245:SP,MY)	
58	1-773-001-11	WIRE (FLAT TYPE) (15 CORE)		△ T901	1-435-269-11	TRANSFORMER, POWER (DE245:E,EA)	
59	1-769-850-11	WIRE (FLAT TYPE) (5 CORE) (DE345)		△ T901	1-435-270-11	TRANSFORMER, POWER (DE245:AEP,UK,CIS,EE)	
60	3-905-609-01	SCREW (TRANSISTOR)		△ T901	1-435-564-11	TRANSFORMER, POWER (DE245:MX)	
				△ T901	1-435-271-11	TRANSFORMER, POWER (DE345:US)	
				△ T901	1-435-272-11	TRANSFORMER, POWER (DE345:CND)	
				△ T901	1-435-273-11	TRANSFORMER, POWER (DE345:AUS)	
				△ T901	1-435-274-11	TRANSFORMER, POWER (DE345:SP,MY,AR,CH)	
				△ T901	1-435-275-11	TRANSFORMER, POWER (DE345:E,EA,PX)	
				△ T901	1-435-276-11	TRANSFORMER, POWER (DE345:AEP,CIS,EE)	
				△ T901	1-435-565-11	TRANSFORMER, POWER (DE345:MX)	

The components identified by mark △ or dotted line with mark △ are critical for safety. Replace only with part number specified.	Les composants identifiés par une marque △ sont critiques pour la sécurité. Ne les remplacer que par une pièce portant le numéro spécifié.	以阴影和 △ 标志来识别的零部件，在安全方面具有关键性。因此只能以规定号码的零部件来更换。
--	--	---

SECTION 5 ELECTRICAL PARTS LIST

DISPLAY

NOTE:

- Due to standardization, replacements in the parts list may be different from the parts specified in the diagrams or the components used on the set.
- -XX, -X mean standardized parts, so they may have some difference from the original one.
- Items marked "*" are not stocked since they are seldom required for routine service. Some delay should be anticipated when ordering these items.
- RESISTORS
All resistors are in ohms.
METAL: metal-film resistor
METAL OXIDE: Metal Oxide-film resistor
F: nonflammable

- CAPACITORS:
uF: μ F
- COILS
uH: μ H
- Abbreviation
CND : Canadian model.
AUS : Australian model.
SP : Singapore model.
MY : Malaysia model.
AR : Argentine model.
CH : Chinese model.
MX : Mexican model.
CIS : Russian model.
EA : Saudi Arabia model.
EE : East European model.

- SEMICONDUCTORS
In each case, μ : for example:
uA...: μ A..., uPA..., μ PA...,
uPB..., μ PB..., uPC..., μ PC...,
uPD..., μ PD...

The components identified by mark Δ or dotted line with mark Δ are critical for safety. Replace only with part number specified.

Les composants identifiés par une marque Δ sont critiques pour la sécurité. Ne les remplacer que par une pièce portant le numéro spécifié.

以阴影和 Δ 标志来识别的零部件在安全方面具有关键性。因此只能以规定号码的零部件来更换。

When indicating parts by reference number, please include the board name.

Ref. No.	Part No.	Description	Remarks	Ref. No.	Part No.	Description	Remarks
	A-4428-267-A	DISPLAY BOARD, COMPLETE (DE345:US) *****				< CONNECTOR >	
	A-4428-383-A	DISPLAY BOARD, COMPLETE (DE345:CND) *****		CNS201	1-794-028-11	BOARD TO BOARD PIN 4P	
	A-4428-386-A	DISPLAY BOARD, COMPLETE (DE345:AUS) *****		CNS202	1-794-028-11	BOARD TO BOARD PIN 4P	
	A-4428-390-A	DISPLAY BOARD, COMPLETE (DE345:SP,MY,CH) *****		CNS203	1-794-003-11	CONNECTOR 15P (DE345:US,CND,E,EA,PX,AUS,MX,SP,MY,AR,CH)	
	A-4428-393-A	DISPLAY BOARD, COMPLETE (DE345:E,EA,PX) *****		CNS203	1-794-005-11	CONNECTOR 19P (DE245:AEP,UK,CIS,EE/DE345:AEP,CIS,EE)	
	A-4428-397-A	DISPLAY BOARD, COMPLETE (DE345:CND) *****		CNS203	1-794-002-11	CONNECTOR 13P (DE245:AUS,E,EA,MX,SP,MY)	
	A-4428-400-A	DISPLAY BOARD, COMPLETE (DE245:AUS) *****		CNS204	1-564-593-11	PLUG, CONNECTOR 14P	
	A-4428-404-A	DISPLAY BOARD, COMPLETE (DE245:SP,MY) *****				< DIODE >	
	A-4428-406-A	DISPLAY BOARD, COMPLETE (DE245:E,EA) *****		D201	8-719-991-33	DIODE 1SS133T-77	
	A-4428-409-A	DISPLAY BOARD, COMPLETE (DE245:AEP,UK,CIS,EE) *****		D202	8-719-991-33	DIODE 1SS133T-77	
	A-4428-413-A	DISPLAY BOARD, COMPLETE (DE345:AEP,CIS,EE) *****		D203	8-719-991-33	DIODE 1SS133T-77	
	A-4473-331-A	DISPLAY BOARD, COMPLETE (DE345:MX) *****		D204	8-719-991-33	DIODE 1SS133T-77	
	A-4473-333-A	DISPLAY BOARD, COMPLETE (DE345:AR) *****		D210	8-719-046-39	DIODE SEL5821A-TP15 (SET UP)	
	A-4473-336-A	DISPLAY BOARD, COMPLETE (DE245:MX) *****		D211	8-719-046-39	DIODE SEL5821A-TP15 (NAME)	
				D212	8-719-046-39	DIODE SEL5821A-TP15 (LEVEL)	
				D213	8-719-046-39	DIODE SEL5821A-TP15 (SUR)	
				D214	8-719-313-50	DIODE SEL6810A-TH12 (B.BOOST)	
				D215	8-719-313-50	DIODE SEL6810A-TH12 (S.FIELD)	
						< FILTER >	
				FL201	1-517-662-11	INDICATOR TUBE, FLUORESCENT	
						< IC >	
*	4-921-941-01	CUSHION (FL)		IC103	8-759-656-87	IC uPD780206GF-060-3BA	
	4-943-107-11	HOLDER(FL TUBE)		IC203	8-759-332-18	IC GP1U27XB	
		< CAPACITOR >				< COIL >	
	C201	1-104-905-11	CAPACITOR 0.22F 5.5V	L201	1-410-509-11	INDUCTOR 10uH	
	C202	1-164-159-21	CERAMIC 0.1uF 50V			< TRANSISTOR >	
	C203	1-126-096-11	ELECT 10uF 20% 35V				
	C204	1-164-159-21	CERAMIC 0.1uF 50V	Q201	8-729-900-63	TRANSISTOR BN1F4M-TP	
	C205	1-162-294-31	CERAMIC 0.001uF 10% 50V	Q202	8-729-900-36	TRANSISTOR BA1F4M-TP	
	C206	1-164-159-21	CERAMIC 0.1uF 50V	Q210	8-729-900-36	TRANSISTOR BA1F4M-TP	
	C207	1-164-159-21	CERAMIC 0.1uF 50V	Q211	8-729-900-36	TRANSISTOR BA1F4M-TP	
	C208	1-124-465-00	ELECT 0.47uF 20% 50V	Q212	8-729-900-36	TRANSISTOR BA1F4M-TP	
				Q213	8-729-900-36	TRANSISTOR BA1F4M-TP	
				Q214	8-729-900-36	TRANSISTOR BA1F4M-TP	
				Q215	8-729-900-36	TRANSISTOR BA1F4M-TP	
				Q216	8-729-900-63	TRANSISTOR BN1F4M-TP	

DISPLAY

Ref. No.	Part No.	Description	Remarks	Ref. No.	Part No.	Description	Remarks
< RESISTOR >							
R200	1-249-433-11	CARBON	22K 5% 1/4W	R239	1-249-425-11	CARBON	4.7K 5% 1/4W F
R201	1-249-433-11	CARBON	22K 5% 1/4W	R240	1-249-411-11	CARBON	330 5% 1/4W
R202	1-249-429-11	CARBON	10K 5% 1/4W	R241	1-249-413-11	CARBON	470 5% 1/4W F
R203	1-249-429-11	CARBON	10K 5% 1/4W	R242	1-249-415-11	CARBON	680 5% 1/4W F
R204	1-249-429-11	CARBON	10K 5% 1/4W	R243	1-249-417-11	CARBON	1K 5% 1/4W F
R205	1-249-441-11	CARBON	100K 5% 1/4W	R244	1-249-419-11	CARBON	1.5K 5% 1/4W F
R206	1-249-429-11	CARBON	10K 5% 1/4W	R245	1-249-421-11	CARBON	2.2K 5% 1/4W F
R207	1-249-429-11	CARBON	10K 5% 1/4W	R246	1-247-843-11	CARBON	3.3K 5% 1/4W
R208	1-249-429-11	CARBON	10K 5% 1/4W	R247	1-249-425-11	CARBON	4.7K 5% 1/4W F
R213	1-249-429-11	CARBON	10K 5% 1/4W	R248	1-249-411-11	CARBON	330 5% 1/4W
R214	1-249-429-11	CARBON	10K 5% 1/4W	R249	1-249-413-11	CARBON	470 5% 1/4W F
R215	1-249-429-11	CARBON	10K 5% 1/4W	R250	1-249-415-11	CARBON	680 5% 1/4W F
R216	1-249-435-11	CARBON	33K 5% 1/4W	R251	1-249-417-11	CARBON	1K 5% 1/4W F
			(DE345:AUS)	R252	1-249-419-11	CARBON	1.5K 5% 1/4W F
R216	1-249-427-11	CARBON	6.8K 5% 1/4W F	R253	1-249-421-11	CARBON	2.2K 5% 1/4W F
			(DE345:E,EA,PX,MX,SP,MY,AR,CH)	R265	1-249-429-11	CARBON	10K 5% 1/4W
R216	1-247-843-11	CARBON	3.3K 5% 1/4W	R266	1-249-429-11	CARBON	10K 5% 1/4W
			(DE245:SP,MY)	R267	1-249-429-11	CARBON	10K 5% 1/4W
R216	1-249-431-11	CARBON	15K 5% 1/4W	R268	1-249-429-11	CARBON	10K 5% 1/4W
			(DE245:AUS)	R269	1-249-437-11	CARBON	47K 5% 1/4W
R216	1-249-425-11	CARBON	4.7K 5% 1/4W F	R270	1-247-807-31	CARBON	100 5% 1/4W
			(DE245:E,EA,MX)	R271	1-247-807-31	CARBON	100 5% 1/4W
R216	1-247-863-91	CARBON	22K 5% 1/4W	R272	1-247-807-31	CARBON	100 5% 1/4W
			(DE245:AEP,UK,CIS,EE/DE345:AEP,CIS,EE)	R273	1-247-807-31	CARBON	100 5% 1/4W
R216	1-249-429-11	CARBON	10K 5% 1/4W	R274	1-247-807-31	CARBON	100 5% 1/4W
			(DE345:US,CND)	R275	1-247-807-31	CARBON	100 5% 1/4W
R217	1-249-425-11	CARBON	4.7K 5% 1/4W F				(DE245:AEP,UK,CIS,EE/DE345:AEP,CIS,EE)
			(DE345:SP,MY,CH)	R276	1-249-429-11	CARBON	10K 5% 1/4W
R217	1-247-863-91	CARBON	22K 5% 1/4W	R277	1-249-429-11	CARBON	10K 5% 1/4W
			(DE345:AEP,CIS,EE)	R278	1-249-429-11	CARBON	10K 5% 1/4W
R217	1-249-415-11	CARBON	680 5% 1/4W F	R279	1-249-429-11	CARBON	10K 5% 1/4W
			(DE245:AUS/DE345:AUS)	R284	1-249-429-11	CARBON	10K 5% 1/4W
R217	1-249-427-11	CARBON	6.8K 5% 1/4W F	R285	1-249-429-11	CARBON	10K 5% 1/4W
			(DE245:E,EA,MX,SP,MY)	R286	1-249-429-11	CARBON	10K 5% 1/4W
R217	1-249-421-11	CARBON	2.2K 5% 1/4W F	△R298	1-249-388-61	CARBON	3.9 5% 1/4W
			(DE245:AEP,UK,CIS,EE)				(DE245:E,AUS,SP/DE345:US,CND,E,EA,PX,AUS,MX,SP,MY,AR,CH)
R217	1-247-843-11	CARBON	3.3K 5% 1/4W	△R298	1-249-381-11	CARBON	1 5% 1/4W F
			(DE345:US,CND,E,EA,PX,MX,AR)				(DE245:AEP,UK,MX,CIS,EE/DE345:AEP,CIS,EE)
R218	1-249-429-11	CARBON	10K 5% 1/4W	△R299	1-249-388-61	CARBON	3.9 5% 1/4W
R219	1-249-429-11	CARBON	10K 5% 1/4W				(DE245:E,AUS,SP/DE345:US,CND,E,EA,PX,AUS,MX,SP,MY,AR,CH)
R220	1-249-407-11	CARBON	150 5% 1/4W F	△R299	1-249-381-11	CARBON	1 5% 1/4W F
R221	1-249-407-11	CARBON	150 5% 1/4W F				(DE245:AEP,UK,MX,CIS,EE/DE345:AEP,CIS,EE)
R222	1-249-407-11	CARBON	150 5% 1/4W F	R303	1-249-439-11	CARBON	68K 5% 1/4W
R224	1-249-429-11	CARBON	10K 5% 1/4W	< SWITCH >			
R225	1-249-429-11	CARBON	10K 5% 1/4W	S202	1-771-410-21	SWITCH, TACTILE (LEVEL)	
R226	1-249-429-11	CARBON	10K 5% 1/4W	S203	1-771-410-21	SWITCH, TACTILE (MODE +)	
R227	1-249-425-11	CARBON	4.7K 5% 1/4W F	S204	1-771-410-21	SWITCH, TACTILE (MODE -)	
R228	1-249-427-11	CARBON	6.8K 5% 1/4W F	S205	1-771-410-21	SWITCH, TACTILE (DISPLAY)	
R229	1-249-427-11	CARBON	6.8K 5% 1/4W F	S206	1-771-410-21	SWITCH, TACTILE (DIMMER)	
R230	1-249-427-11	CARBON	6.8K 5% 1/4W F	S207	1-771-410-21	SWITCH, TACTILE (5.1CH/DVD)	
R231	1-249-427-11	CARBON	6.8K 5% 1/4W F	S208	1-771-410-21	SWITCH, TACTILE (TV/SAT)	
R232	1-249-411-11	CARBON	330 5% 1/4W	S209	1-771-410-21	SWITCH, TACTILE (MD/TAPE)	
R233	1-249-413-11	CARBON	470 5% 1/4W F	S210	1-771-410-21	SWITCH, TACTILE (VIDEO)	
R234	1-249-415-11	CARBON	680 5% 1/4W F	S211	1-771-410-21	SWITCH, TACTILE (MENU <)	
R235	1-249-417-11	CARBON	1K 5% 1/4W F				
R236	1-249-419-11	CARBON	1.5K 5% 1/4W F				
R237	1-249-421-11	CARBON	2.2K 5% 1/4W F				
R238	1-247-843-11	CARBON	3.3K 5% 1/4W				

The components identified by mark △ or dotted line with mark △ are critical for safety. Replace only with part number specified.

Les composants identifiés par une marque △ sont critiques pour la sécurité. Ne les remplacer que par une pièce portant le numéro spécifié.

以阴影和 △标志来识别的零部件，在安全方面具有关键性。因此只能以规定号码的零部件来更换。

DISPLAY

ENCODER

HEADPHONE

MAIN

Ref. No.	Part No.	Description	Remarks	Ref. No.	Part No.	Description	Remarks
S212	1-771-410-21	SWITCH, TACTILE (MENU -)				< CAPACITOR >	
S213	1-771-410-21	SWITCH, TACTILE (TREBLE +)					
S214	1-771-410-21	SWITCH, TACTILE (TREBLE -)					
S215	1-771-410-21	SWITCH, TACTILE (BASS +)		C3	1-162-288-31	CERAMIC 330PF 10% 50V (DE245:AEP,UK,CIS,EE/DE345:AEP,CEIS,EE)	
S216	1-771-410-21	SWITCH, TACTILE (BASS -)		C4	1-126-961-11	ELECT 2.2uF 20.00% 50V (DE245:AEP,UK,CIS,EE/DE345:AEP,CIS,EE)	
S217	1-771-410-21	SWITCH, TACTILE (TUNER)		C5	1-164-159-21	CERAMIC 0.1uF 50V (DE245:AEP,UK,CIS,EE/DE345:AEP,CIS,EE)	
S218	1-771-410-21	SWITCH, TACTILE (CD)					
S219	1-771-410-21	SWITCH, TACTILE (SF ON/OFF)		C6	1-162-291-31	CERAMIC 560PF 10.00% 50V (DE245:AEP,UK,CIS,EE/DE345:AEP,CIS,EE)	
S220	1-771-410-21	SWITCH, TACTILE (SUR)					
S221	1-771-410-21	SWITCH, TACTILE (MENU >)		C7	1-128-808-21	CERAMIC 82PF 5% 50V (DE245:AEP,UK,CIS,EE/DE345:AEP,CIS,EE)	
S222	1-771-410-21	SWITCH, TACTILE (MENU +)					
S223	1-771-410-21	SWITCH, TACTILE (ENTER)		C10	1-164-159-21	CERAMIC 0.1uF 50V (DE245:AEP,UK,CIS,EE/DE345:AEP,CIS,EE)	
S224	1-771-410-21	SWITCH, TACTILE (NAME)					
S225	1-771-410-21	SWITCH, TACTILE (SET UP)		C301	1-136-165-00	MYLAR 0.1uF 5.00% 50V	
		< VIBRATOR >		C302	1-126-959-11	ELECT 0.47uF 20.00% 50V	
				C303	1-126-794-11	ELECT 4.7uF 20.00% 50V	
X201	1-579-233-11	VIBRATOR, CERAMIC 5MHz		C304	1-126-959-11	ELECT 0.47uF 20.00% 50V	
		*****		C305	1-126-794-11	ELECT 4.7uF 20.00% 50V	
	1-676-798-11	ENCODER BOARD		C306	1-136-167-00	MYLAR 0.15uF 5.00% 50V	
		*****		C307	1-126-962-11	ELECT 3.3uF 20.00% 50V	
		< VARIABLE RESISTOR >		C308	1-136-167-00	MYLAR 0.15uF 5.00% 50V	
				C309	1-136-167-00	MYLAR 0.15uF 5.00% 50V	
RV201	1-418-773-11	ENCODER		C310	1-126-962-11	ELECT 3.3uF 20.00% 50V	
		*****		C311	1-136-167-00	MYLAR 0.15uF 5.00% 50V	
	1-676-804-11	HEADPHONE BOARD		C312	1-126-794-11	ELECT 4.7uF 20.00% 50V	
		*****		C313	1-126-959-11	ELECT 0.47uF 20.00% 50V	
		< CONNECTOR >		C314	1-126-794-11	ELECT 4.7uF 20.00% 50V	
* CN792	1-564-518-11	PLUG, CONNECTOR 3P		C315	1-126-959-11	ELECT 0.47uF 20.00% 50V	
		< JACK >		C316	1-136-165-00	MYLAR 0.1uF 5.00% 50V	
				C317	1-136-165-00	MYLAR 0.1uF 5.00% 50V	
J791	1-750-733-11	JACK (LARGE TYPE)(PHONES)		C318	1-126-964-11	ELECT 10uF 20.00% 50V	
		*****		C319	1-126-964-11	ELECT 10uF 20.00% 50V	
A-4428-268-A		MAIN BOARD, COMPLETE (DE345:US)		C320	1-126-964-11	ELECT 10uF 20.00% 50V	
		*****		C321	1-126-964-11	ELECT 10uF 20.00% 50V	
A-4428-387-A		MAIN BOARD, COMPLETE (DE345:AUS,SP,MY,CH)		C322	1-126-934-11	ELECT 220uF 20.00% 10V	
		*****		C323	1-126-934-11	ELECT 220uF 20.00% 10V	
A-4428-394-A		MAIN BOARD, COMPLETE (DE345:CND,E,EA,PX)		C325	1-126-961-11	ELECT 2.2uF 20.00% 50V	
		*****		C326	1-126-934-11	ELECT 220uF 20.00% 10V	
A-4428-398-A		MAIN BOARD, COMPLETE (DE245:E,EA)		C327	1-164-159-21	CERAMIC 0.1uF 50V	
		*****		C328	1-126-964-11	ELECT 10uF 20.00% 50V	
A-4428-401-A		MAIN BOARD, COMPLETE (DE245:AUS,SP,MY)		C329	1-126-964-11	ELECT 10uF 20.00% 50V	
		*****		C330	1-126-964-11	ELECT 10uF 20.00% 50V	
A-4428-410-A		MAIN BOARD, COMPLETE (DE245:AEP,UK,CIS,EE)		C331	1-126-964-11	ELECT 10uF 20.00% 50V	
		*****		C332	1-124-252-00	ELECT 0.33uF 20% 50V	
A-4428-414-A		MAIN BOARD, COMPLETE (DE345:AEP,CIS,EE)		C333	1-126-959-11	ELECT 0.47uF 20.00% 50V	
		*****		C334	1-126-934-11	ELECT 220uF 20.00% 10V	
A-4473-330-A		MAIN BOARD, COMPLETE (DE345:MX)		C335	1-164-159-21	CERAMIC 0.1uF 50V	
		*****		C336	1-136-177-00	MYLAR 1uF 5.00% 50V	
A-4473-332-A		MAIN BOARD, COMPLETE (DE345:AR)		C337	1-136-177-00	MYLAR 1uF 5.00% 50V	
		*****		C338	1-136-165-00	MYLAR 0.1uF 5.00% 50V	
A-4473-335-A		MAIN BOARD, COMPLETE (DE245:MX)		C339	1-136-165-00	MYLAR 0.1uF 5.00% 50V	
		*****		C340	1-126-956-91	ELECT 0.1uF 20.00% 50V	
				C341	1-126-961-11	ELECT 2.2uF 20.00% 50V	
				C342	1-126-961-11	ELECT 2.2uF 20.00% 50V	
				C343	1-126-961-11	ELECT 2.2uF 20.00% 50V	
				C344	1-126-961-11	ELECT 2.2uF 20.00% 50V	
				C345	1-136-157-00	MYLAR 0.022uF 5.00% 50V	

MAIN

Ref. No.	Part No.	Description	Remarks			Ref. No.	Part No.	Description	Remarks		
C346	1-128-809-11	CERAMIC	100PF	5%	50V	C454	1-126-964-11	ELECT	10uF	20.00%	50V
C347	1-128-809-11	CERAMIC	100PF	5%	50V	C455	1-126-964-11	ELECT	10uF	20.00%	50V
C348	1-126-961-11	ELECT	2.2uF	20.00%	50V	C461	1-126-794-11	ELECT	4.7uF	20.00%	50V
C349	1-130-494-11	MYLAR	0.082uF	5%	50V	C462	1-130-481-00	MYLAR	0.0068uF	5%	50V
C350	1-137-367-11	MYLAR	0.0033uF	5.00%	50V	C463	1-137-375-11	MYLAR	0.068uF	5.00%	50V
C351	1-130-494-11	MYLAR	0.082uF	5%	50V	C464	1-130-481-00	MYLAR	0.0068uF	5%	50V
C352	1-126-934-11	ELECT	220uF	20.00%	10V	C465	1-126-964-11	ELECT	10uF	20.00%	50V
C353	1-164-159-21	CERAMIC	0.1uF		50V	C466	1-126-794-11	ELECT	4.7uF	20.00%	50V
C354	1-135-518-11	CERAMIC	51PF	5%	50V	C467	1-136-165-00	MYLAR	0.1uF	5.00%	50V
C355	1-128-809-11	CERAMIC	100PF	5%	50V	C468	1-136-165-00	MYLAR	0.1uF	5.00%	50V
C356	1-128-805-21	CERAMIC	47PF	5%	50V	C470	1-126-964-11	ELECT	10uF	20.00%	50V
C357	1-162-203-31	CERAMIC	15PF	5.00%	50V	C472	1-126-794-11	ELECT	4.7uF	20.00%	50V
C358	1-128-809-11	CERAMIC	100PF	5%	50V	C480	1-126-965-11	ELECT	22uF	20.00%	50V
C359	1-136-357-11	MYLAR	680PF	5.00%	50V	C481	1-126-965-11	ELECT	22uF	20.00%	50V
C360	1-136-161-00	MYLAR	0.047uF	5.00%	50V	C482	1-126-965-11	ELECT	22uF	20.00%	50V
C361	1-136-157-00	MYLAR	0.022uF	5.00%	50V	C483	1-126-965-11	ELECT	22uF	20.00%	50V
C362	1-136-173-00	MYLAR	0.47uF	5.00%	50V	C501	1-126-794-11	ELECT	4.7uF	20.00%	50V
C363	1-126-967-11	ELECT	47uF	20.00%	50V	C502	1-128-809-11	CERAMIC	100PF	5%	50V
C364	1-126-961-11	ELECT	2.2uF	20.00%	50V	C503	1-102-989-00	CERAMIC	68PF	5.00%	500V
C365	1-126-961-11	ELECT	2.2uF	20.00%	50V	C504	1-102-989-00	CERAMIC	68PF	5.00%	500V
C366	1-126-961-11	ELECT	2.2uF	20.00%	50V	C505	1-104-665-11	ELECT	100uF	20.00%	10V
C367	1-136-165-00	MYLAR	0.1uF	5.00%	50V	C506	1-102-230-91	CERAMIC	4PF	10.00%	50V
C368	1-164-159-21	CERAMIC	0.1uF		50V	C510	1-104-664-11	ELECT	47uF	20.00%	25V
C371	1-164-159-21	CERAMIC	0.1uF		50V	C511	1-137-372-11	MYLAR	0.022uF	5.00%	50V
C372	1-164-159-21	CERAMIC	0.1uF		50V	C520	1-128-813-11	CERAMIC	220PF	5%	50V
C373	1-164-159-21	CERAMIC	0.1uF		50V	C524	1-126-964-11	ELECT	10uF	20.00%	50V
C374	1-164-159-21	CERAMIC	0.1uF		50V	C526	1-127-876-21	CERAMIC	0.01uF	10%	50V
C375	1-164-159-21	CERAMIC	0.1uF		50V	C601	1-126-794-11	ELECT	4.7uF	20.00%	50V
C376	1-164-159-21	CERAMIC	0.1uF		50V	C603	1-104-665-11	ELECT	100uF	20.00%	10V
C401	1-126-964-11	ELECT	10uF	20.00%	50V	C604	1-102-936-00	CERAMIC	3.0PF	+0.25PF	50V
C402	1-126-964-11	ELECT	10uF	20.00%	50V	C605	1-102-233-00	CERAMIC	33PF	10.00%	500V
C403	1-126-964-11	ELECT	10uF	20.00%	50V	C606	1-128-815-21	CERAMIC	330PF	5%	50V
C404	1-126-964-11	ELECT	10uF	20.00%	50V	C607	1-128-809-11	CERAMIC	100PF	5%	50V
C405	1-126-964-11	ELECT	10uF	20.00%	50V	C610	1-104-664-11	ELECT	47uF	20.00%	25V
C412	1-130-481-00	MYLAR	0.0068uF	5%	50V	C611	1-137-372-11	MYLAR	0.022uF	5.00%	50V
C414	1-130-481-00	MYLAR	0.0068uF	5%	50V	C620	1-128-813-11	CERAMIC	220PF	5%	50V
C416	1-136-165-00	MYLAR	0.1uF	5.00%	50V	C624	1-126-964-11	ELECT	10uF	20.00%	50V
C417	1-136-165-00	MYLAR	0.1uF	5.00%	50V	C626	1-127-876-21	CERAMIC	0.01uF	10%	50V
C418	1-137-375-11	MYLAR	0.068uF	5.00%	50V	C651	1-126-794-11	ELECT	4.7uF	20.00%	50V
C419	1-126-794-11	ELECT	4.7uF	20.00%	50V	C653	1-104-665-11	ELECT	100uF	20.00%	10V
C420	1-126-964-11	ELECT	10uF	20.00%	50V	C655	1-102-233-00	CERAMIC	33PF	10.00%	500V
C421	1-126-964-11	ELECT	10uF	20.00%	50V	C657	1-128-809-11	CERAMIC	100PF	5%	50V
C422	1-126-964-11	ELECT	10uF	20.00%	50V	C660	1-104-664-11	ELECT	47uF	20.00%	25V
C433	1-128-809-11	CERAMIC	100PF	5%	50V	C661	1-137-372-11	MYLAR	0.022uF	5.00%	50V
C434	1-128-813-11	CERAMIC	220PF	5%	50V	C670	1-128-813-11	CERAMIC	220PF	5%	50V
C435	1-128-813-11	CERAMIC	220PF	5%	50V	C701	1-126-794-11	ELECT	4.7uF	20.00%	50V
C441	1-164-159-21	CERAMIC	0.1uF		50V	C703	1-104-665-11	ELECT	100uF	20.00%	10V
C442	1-164-159-21	CERAMIC	0.1uF		50V	C704	1-102-936-00	CERAMIC	3.0PF	+0.25PF	50V
C443	1-164-159-21	CERAMIC	0.1uF		50V						(DE245:AEP,UK,CIS,EE/DE345:AEP,CIS,EE)
C445	1-164-159-21	CERAMIC	0.1uF		50V	C705	1-102-233-00	CERAMIC	33PF	10.00%	500V
C446	1-164-159-21	CERAMIC	0.1uF		50V	C706	1-128-815-21	CERAMIC	330PF	5%	50V
C447	1-164-159-21	CERAMIC	0.1uF		50V	C707	1-128-809-11	CERAMIC	100PF	5%	50V
C451	1-126-964-11	ELECT	10uF	20.00%	50V	C710	1-104-664-11	ELECT	47uF	20.00%	25V
C452	1-126-964-11	ELECT	10uF	20.00%	50V	C711	1-137-372-11	MYLAR	0.022uF	5.00%	50V
C453	1-126-964-11	ELECT	10uF	20.00%	50V	C714	1-127-876-21	CERAMIC	0.01uF	10%	50V
						C720	1-128-813-11	CERAMIC	220PF	5%	50V

Ref. No.	Part No.	Description	Remarks	Ref. No.	Part No.	Description	Remarks
C721	1-126-934-11	ELECT	220uF 20.00% 10V	CC06	1-128-809-11	CERAMIC 100PF 5% 50V (DE245:AEP,UK,CIS,EE/DE345:AEP,CIS,EE)	
C722	1-126-964-11	ELECT	10uF 20.00% 50V	CC07	1-128-809-11	CERAMIC 100PF 5% 50V (DE245:AEP,UK,CIS,EE/DE345:AEP,CIS,EE)	
C724	1-126-964-11	ELECT	10uF 20.00% 50V	CC12	1-164-096-11	CERAMIC 0.01uF 50V (DE245:AEP,UK,CIS,EE/DE345:AEP,CIS,EE)	
C726	1-127-876-21	CERAMIC	0.01uF 10% 50V	CC14	1-164-096-11	CERAMIC 0.01uF 50V (DE245:AEP,UK,CIS,EE/DE345:AEP,CIS,EE)	
C734	1-126-964-11	ELECT	10uF 20.00% 50V	CC16	1-164-096-11	CERAMIC 0.01uF 50V (DE245:AEP,UK,CIS,EE/DE345:AEP,CIS,EE)	
C736	1-127-876-21	CERAMIC	0.01uF 10% 50V	CC18	1-164-096-11	CERAMIC 0.01uF 50V (DE245:AEP,UK,CIS,EE/DE345:AEP,CIS,EE)	
C740	1-128-582-11	ELECT	10uF 20.00% 100V	CC20	1-164-096-11	CERAMIC 0.01uF 50V (DE245:AEP,UK,CIS,EE/DE345:AEP,CIS,EE)	
C741	1-128-582-11	ELECT	10uF 20.00% 100V	CC52	1-128-809-11	CERAMIC 100PF 5% 50V (DE245:AEP,UK,CIS,EE/DE345:AEP,CIS,EE)	
C742	1-126-925-11	ELECT	470uF 20.00% 10V	CC53	1-128-809-11	CERAMIC 100PF 5% 50V (DE245:AEP,UK,CIS,EE/DE345:AEP,CIS,EE)	
C743	1-126-925-11	ELECT	470uF 20.00% 10V	CC54	1-128-809-11	CERAMIC 100PF 5% 50V (DE245:AEP,UK,CIS,EE/DE345:AEP,CIS,EE)	
C751	1-126-794-11	ELECT	4.7uF 20.00% 50V	CC55	1-128-809-11	CERAMIC 100PF 5% 50V (DE245:AEP,UK,CIS,EE/DE345:AEP,CIS,EE)	
C753	1-104-665-11	ELECT	100uF 20.00% 10V	CC56	1-128-809-11	CERAMIC 100PF 5% 50V (DE245:AEP,UK,CIS,EE/DE345:AEP,CIS,EE)	
C755	1-102-233-00	CERAMIC	33PF 10.00% 500V	CC57	1-128-809-11	CERAMIC 100PF 5% 50V (DE245:AEP,UK,CIS,EE/DE345:AEP,CIS,EE)	
C757	1-128-809-11	CERAMIC	100PF 5% 50V			< CONNECTOR >	
C760	1-104-664-11	ELECT	47uF 20.00% 25V	CN402	1-691-772-11	PLUG (MICRO CONNECTOR) 10P	
C761	1-137-372-11	MYLAR	0.022uF 5.00% 50V	CN403	1-569-315-11	SOCKET, CONNECTOR 5P (DE345:AEP,AUS,MX,SP,MY,AR,CIS,EE,CH)	
C764	1-128-815-21	CERAMIC	330PF 10% 50V	CN404	1-794-003-11	CONNECTOR 15P (DE345:US,CND,E,EA,PX,AUS,MX,SP,MY,AR,CH)	
C770	1-128-813-11	CERAMIC	220PF 5% 50V	CN404	1-794-005-11	CONNECTOR 19P (DE245:AEP,UK,CIS,EE/DE345:AEP,CIS,EE)	
C801	1-126-947-11	ELECT	47uF 20.00% 35V	CN404	1-794-002-11	CONNECTOR 13P (DE245:AUS,E,EA,MX,SP,MY)	
C802	1-126-947-11	ELECT	47uF 20.00% 35V	* CN791	1-564-705-11	PIN, CONNECTOR (SMALL TYPE) 3P	
C803	1-128-591-11	ELECT	6800uF 20.00% 56V (DE245:EXCEPT E,EA)	* CN801	1-564-521-11	PLUG, CONNECTOR 6P	
C803	1-125-897-11	ELECT	10000uF 20.00% 71V (DE345:US,CND,E,EA)	* CN802	1-564-214-11	PIN, CONNECTOR (B3PS-VH) 3P	
C803	1-107-766-11	ELECT	8200uF 20.00% 71V (DE345:AUS,SP,MY,MX,AR)	CNS401	1-569-321-11	SOCKET, CONNECTOR 15P	
C803	1-117-203-11	ELECT	10000uF 20.00% 63V (DE245:E,EA)	CNS403	1-569-315-11	SOCKET, CONNECTOR 5P (DE345)	
C804	1-128-591-11	ELECT	6800uF 20.00% 56V (DE245:EXCEPT E,EA)			< DIODE >	
C804	1-125-897-11	ELECT	10000uF 20.00% 71V (DE345:US,CND,E,EA)	D301	8-719-070-77	DIODE SVC201SPA-M1-AC	
C804	1-107-766-11	ELECT	8200uF 20.00% 71V (DE345:AUS,SP,MY,MX,AR)	D470	8-719-991-33	DIODE 1SS133T-77	
C804	1-117-203-11	ELECT	10000uF 20.00% 63V (DE245:E,EA)	D505	8-719-991-33	DIODE 1SS133T-77	
C805	1-130-781-00	MYLAR	0.22uF 5.00% 100V	D506	8-719-991-33	DIODE 1SS133T-77	
C806	1-130-781-00	MYLAR	0.22uF 5.00% 100V	D508	8-719-991-33	DIODE 1SS133T-77	
C807	1-104-664-11	ELECT	47uF 20.00% 25V	D510	8-719-991-33	DIODE 1SS133T-77	
C808	1-104-664-11	ELECT	47uF 20.00% 25V	D605	8-719-991-33	DIODE 1SS133T-77	
C810	1-126-960-11	ELECT	1uF 20.00% 50V	D606	8-719-991-33	DIODE 1SS133T-77	
C811	1-126-942-61	ELECT	1000uF 20.00% 25V	D607	8-719-991-33	DIODE 1SS133T-77	
C812	1-126-941-11	ELECT	470uF 20.00% 25V	D608	8-719-991-33	DIODE 1SS133T-77	
C813	1-101-001-00	CERAMIC	0.001uF 50V	D610	8-719-991-33	DIODE 1SS133T-77	
C814	1-101-001-00	CERAMIC	0.001uF 50V	D627	8-719-991-33	DIODE 1SS133T-77	
C815	1-126-967-11	ELECT	47uF 20.00% 50V	D706	8-719-991-33	DIODE 1SS133T-77	
C816	1-126-951-11	ELECT	470uF 20.00% 35V	D710	8-719-991-33	DIODE 1SS133T-77	
C817	1-104-664-11	ELECT	47uF 20.00% 25V	D721	8-719-991-33	DIODE 1SS133T-77	
C818	1-126-960-11	ELECT	1uF 20.00% 50V	D722	8-719-991-33	DIODE 1SS133T-77	
C822	1-126-965-11	ELECT	22uF 20.00% 50V	D725	8-719-991-33	DIODE 1SS133T-77	
C826	1-104-664-11	ELECT	47uF 20.00% 25V	D726	8-719-991-33	DIODE 1SS133T-77	
C827	1-126-960-11	ELECT	1uF 20.00% 50V	D727	8-719-991-33	DIODE 1SS133T-77	
C828	1-126-960-11	ELECT	1uF 20.00% 50V	D728	8-719-991-33	DIODE 1SS133T-77	
C829	1-104-664-11	ELECT	47uF 20.00% 25V				
CC02	1-128-809-11	CERAMIC	100PF 5% 50V (DE245:AEP,UK,CIS,EE/DE345:AEP,CIS,EE)				
CC03	1-128-809-11	CERAMIC	100PF 5% 50V (DE245:AEP,UK,CIS,EE/DE345:AEP,CIS,EE)				
CC04	1-128-809-11	CERAMIC	100PF 5% 50V (DE245:AEP,UK,CIS,EE/DE345:AEP,CIS,EE)				
CC05	1-128-809-11	CERAMIC	100PF 5% 50V (DE245:AEP,UK,CIS,EE/DE345:AEP,CIS,EE)				

MAIN

Ref. No.	Part No.	Description	Remarks	Ref. No.	Part No.	Description	Remarks
D731	8-719-991-33	DIODE 1SS133T-77				< TRANSISTOR >	
D732	8-719-991-33	DIODE 1SS133T-77					
D734	8-719-991-33	DIODE 1SS133T-77					
D735	8-719-991-33	DIODE 1SS133T-77					
D736	8-719-991-33	DIODE 1SS133T-77					
D757	8-719-991-33	DIODE 1SS133T-77					
D791	8-719-991-33	DIODE 1SS133T-77					
D801	8-719-934-13	DIODE HZS24-1LTD					
D802	8-719-072-05	DIODE RBV-602LF-A					
D804	8-719-109-85	DIODE MTZJ-T-77-5.1B					
D820	8-719-200-82	DIODE 11ES2-NTA1B					
D821	8-719-200-82	DIODE 11ES2-NTA1B					
D822	8-719-200-82	DIODE 11ES2-NTA1B					
D823	8-719-200-82	DIODE 11ES2-NTA1B					
D824	8-719-200-82	DIODE 11ES2-NTA1B					
D825	8-719-200-82	DIODE 11ES2-NTA1B					
		< EARTH >					
* G401	1-537-738-21	TERMINAL, EARTH					
* G441	1-537-738-21	TERMINAL, EARTH					
* G442	1-537-738-21	TERMINAL, EARTH					
		< IC >					
IC1	8-759-541-48	IC BU1924 (DE245:AEP,UK,CIS,EE/DE345:AEP,CIS,EE)					
IC201	8-759-655-38	IC M61501FP					
IC202	8-759-655-37	IC LV1050M					
IC401	8-759-636-74	IC M5218AP-22					
IC501	8-749-011-16	IC STK350-230					
IC701	8-759-326-52	IC uPC2581V					
IC702	8-759-326-52	IC uPC2581V					
IC801	8-759-376-91	IC uPC78M12AHF					
IC802	8-759-604-95	IC M5F79M07L					
IC803	8-759-039-69	IC uPC7805AHF					
IC804	8-759-039-69	IC uPC7805AHF					
IC805	8-759-701-59	IC M5F78M09L					
IC807	8-759-605-00	IC M5F78M07L					
		< JACK >					
J401	1-774-411-11	JACK, PIN 6P (MD/TAPE)					
J402	1-770-015-11	JACK, PIN 6P (VIDEO)					
J403	1-774-785-11	JACK, PIN 1P (SUB WOOFER)					
J501	1-779-599-11	JACK, PIN 6P (5.1CH/DVD)					
		< COIL >					
L1	1-410-521-11	INDUCTOR 100uH (DE245:AEP,UK,CIS,EE/DE345:AEP,CIS,EE)					
L301	1-410-509-11	INDUCTOR 10uH					
L302	1-410-509-11	INDUCTOR 10uH					
L521	1-420-872-00	COIL, AIR-CORE					
L601	1-420-872-00	COIL, AIR-CORE					
L651	1-420-872-00	COIL, AIR-CORE					
L701	1-420-872-00	COIL, AIR-CORE					
L751	1-420-872-00	COIL, AIR-CORE					
Q361	8-729-823-22	TRANSISTOR 2SC3576-AC					
Q362	8-729-823-22	TRANSISTOR 2SC3576-AC					
Q363	8-729-823-22	TRANSISTOR 2SC3576-AC					
Q364	8-729-823-22	TRANSISTOR 2SC3576-AC					
Q365	8-729-823-22	TRANSISTOR 2SC3576-AC					
Q366	8-729-823-22	TRANSISTOR 2SC3576-AC					
Q470	8-729-119-78	TRANSISTOR 2SC2785TP-HFE					
Q501	8-729-119-76	TRANSISTOR 2SA1115TP-EF					
Q502	8-729-141-30	TRANSISTOR 2SC3623ATP-LK					
Q503	8-749-010-25	IC MN2488-OPY-M					
Q504	8-749-010-26	IC MP1620-OPY-M					
Q505	8-729-140-82	TRANSISTOR 2SA988TP-PAFAEA					
Q506	8-729-140-82	TRANSISTOR 2SA988TP-PAFAEA					
Q507	8-729-900-63	TRANSISTOR BN1F4M-TP					
Q509	8-729-281-53	TRANSISTOR 2SC1815GR-TPE2					
Q550	8-729-119-78	TRANSISTOR 2SC2785TP-HFE					
Q601	8-729-119-76	TRANSISTOR 2SA1115TP-EF					
Q602	8-729-141-30	TRANSISTOR 2SC3623ATP-LK					
Q603	8-749-010-25	IC MN2488-OPY-M					
Q604	8-749-010-26	IC MP1620-OPY-M					
Q605	8-729-140-82	TRANSISTOR 2SA988TP-PAFAEA					
Q606	8-729-140-82	TRANSISTOR 2SA988TP-PAFAEA					
Q610	8-729-119-78	TRANSISTOR 2SC2785TP-HFE					
Q651	8-729-119-76	TRANSISTOR 2SA1115TP-EF					
Q652	8-729-141-30	TRANSISTOR 2SC3623ATP-LK					
Q653	8-749-010-25	IC MN2488-OPY-M					
Q654	8-749-010-26	IC MP1620-OPY-M					
Q655	8-729-140-82	TRANSISTOR 2SA988TP-PAFAEA					
Q656	8-729-140-82	TRANSISTOR 2SA988TP-PAFAEA					
Q657	8-729-900-63	TRANSISTOR BN1F4M-TP					
Q658	8-729-281-53	TRANSISTOR 2SC1815GR-TPE2					
Q659	8-729-900-63	TRANSISTOR BN1F4M-TP					
Q701	8-729-119-76	TRANSISTOR 2SA1115TP-EF					
Q702	8-729-141-30	TRANSISTOR 2SC3623ATP-LK					
Q703	8-749-010-25	IC MN2488-OPY-M					
Q704	8-749-010-26	IC MP1620-OPY-M					
Q705	8-729-140-82	TRANSISTOR 2SA988TP-PAFAEA					
Q706	8-729-140-82	TRANSISTOR 2SA988TP-PAFAEA					
Q707	8-729-900-63	TRANSISTOR BN1F4M-TP					
Q708	8-729-900-63	TRANSISTOR BN1F4M-TP					
Q709	8-729-281-53	TRANSISTOR 2SC1815GR-TPE2					
Q715	8-729-281-53	TRANSISTOR 2SC1815GR-TPE2					
Q722	8-729-140-84	TRANSISTOR 2SC1841TP-PAFAEA					
Q723	8-729-119-78	TRANSISTOR 2SC2785TP-HFE					
Q725	8-729-140-82	TRANSISTOR 2SA988TP-PAFAEA					
Q730	8-729-119-78	TRANSISTOR 2SC2785TP-HFE					
Q751	8-729-119-76	TRANSISTOR 2SA1115TP-EF					
Q752	8-729-141-30	TRANSISTOR 2SC3623ATP-LK					
Q753	8-749-010-25	IC MN2488-OPY-M					
Q754	8-749-010-26	IC MP1620-OPY-M					
Q755	8-729-140-82	TRANSISTOR 2SA988TP-PAFAEA					
Q756	8-729-140-82	TRANSISTOR 2SA988TP-PAFAEA					
Q757	8-729-900-63	TRANSISTOR BN1F4M-TP					
Q758	8-729-281-53	TRANSISTOR 2SC1815GR-TPE2					
Q759	8-729-900-63	TRANSISTOR BN1F4M-TP					

Ref. No.	Part No.	Description	Remarks	Ref. No.	Part No.	Description	Remarks
Q791	8-729-119-78	TRANSISTOR 2SC2785TP-HFE		R454	1-249-417-11	CARBON 1K 5%	1/4W F
Q801	8-729-140-97	TRANSISTOR 2SB734-T-34		R455	1-249-417-11	CARBON 1K 5%	1/4W F
		< RESISTOR >		R456	1-249-417-11	CARBON 1K 5%	1/4W F
R5	1-249-421-11	CARBON 2.2K 5%	1/4W F	R457	1-249-417-11	CARBON 1K 5%	1/4W F
		(DE245:AEP,UK,CIS,EE/DE345:AEP,CIS,EE)		R458	1-249-429-11	CARBON 10K 5%	1/4W
R6	1-247-807-31	CARBON 100 5%	1/4W	R459	1-249-417-11	CARBON 1K 5%	1/4W F
		(DE245:AEP,UK,CIS,EE/DE345:AEP,CIS,EE)		R460	1-249-417-11	CARBON 1K 5%	1/4W F
R7	1-247-807-31	CARBON 100 5%	1/4W	R461	1-249-417-11	CARBON 1K 5%	1/4W F
		(DE245:AEP,UK,CIS,EE/DE345:AEP,CIS,EE)		R462	1-249-417-11	CARBON 1K 5%	1/4W F
R301	1-249-439-11	CARBON 68K 5%	1/4W	R463	1-249-437-11	CARBON 47K 5%	1/4W
R302	1-249-436-11	CARBON 39K 5%	1/4W	R464	1-249-437-11	CARBON 47K 5%	1/4W
R306	1-249-441-11	CARBON 100K 5%	1/4W	R465	1-249-437-11	CARBON 47K 5%	1/4W
R307	1-249-441-11	CARBON 100K 5%	1/4W	R466	1-249-437-11	CARBON 47K 5%	1/4W
R308	1-249-436-11	CARBON 39K 5%	1/4W	R467	1-249-437-11	CARBON 47K 5%	1/4W
R309	1-249-441-11	CARBON 100K 5%	1/4W	R468	1-249-437-11	CARBON 47K 5%	1/4W
R310	1-249-441-11	CARBON 100K 5%	1/4W	R469	1-249-417-11	CARBON 1K 5%	1/4W F
R330	1-249-441-11	CARBON 100K 5%	1/4W	R470	1-249-441-11	CARBON 100K 5%	1/4W
R331	1-249-441-11	CARBON 100K 5%	1/4W	R471	1-249-425-11	CARBON 4.7K 5%	1/4W F
R360	1-249-441-11	CARBON 100K 5%	1/4W	R472	1-249-431-11	CARBON 15K 5%	1/4W
R361	1-249-425-11	CARBON 4.7K 5%	1/4W F	△R473	1-249-401-11	CARBON 47 5%	1/4W F
R362	1-249-425-11	CARBON 4.7K 5%	1/4W F	R475	1-249-425-11	CARBON 4.7K 5%	1/4W F
R363	1-249-441-11	CARBON 100K 5%	1/4W	R476	1-249-425-11	CARBON 4.7K 5%	1/4W F
R364	1-249-441-11	CARBON 100K 5%	1/4W	R501	1-249-417-11	CARBON 1K 5%	1/4W F
R365	1-249-441-11	CARBON 100K 5%	1/4W	R502	1-249-439-11	CARBON 68K 5%	1/4W
R366	1-249-425-11	CARBON 4.7K 5%	1/4W F	R503	1-249-412-11	CARBON 390 5%	1/4W F
R367	1-249-441-11	CARBON 100K 5%	1/4W			(DE345:US,CND,E,EA,PA,AUS,MX,SP,MY,AR,CH)	
R368	1-249-441-11	CARBON 100K 5%	1/4W	R503	1-249-415-11	CARBON 680 5%	1/4W F
R369	1-249-425-11	CARBON 4.7K 5%	1/4W F			(DE245:AEP,UK,CIS,EE/DE345:AEP,CIS,EE)	
R370	1-249-425-11	CARBON 4.7K 5%	1/4W F	R503	1-249-414-11	CARBON 560 5%	1/4W F
R371	1-249-441-11	CARBON 100K 5%	1/4W			(DE245:AUS,E,EA,MX,SP,MY)	
R372	1-249-441-11	CARBON 100K 5%	1/4W	R504	1-249-411-11	CARBON 330 5%	1/4W
R373	1-249-417-11	CARBON 1K 5%	1/4W F	R505	1-249-439-11	CARBON 68K 5%	1/4W
R374	1-249-417-11	CARBON 1K 5%	1/4W F	R507	1-247-863-91	CARBON 22K 5%	1/4W
R375	1-249-417-11	CARBON 1K 5%	1/4W F	R510	1-247-877-11	CARBON 82K 5%	1/4W F
R376	1-249-417-11	CARBON 1K 5%	1/4W F	R511	1-249-437-11	CARBON 47K 5%	1/4W
R377	1-249-417-11	CARBON 1K 5%	1/4W F	R513	1-249-414-11	CARBON 560 5%	1/4W F
R378	1-249-417-11	CARBON 1K 5%	1/4W F	△R514	1-249-408-11	CARBON 180 5%	1/4W F
R379	1-249-425-11	CARBON 4.7K 5%	1/4W F	△R515	1-249-408-11	CARBON 180 5%	1/4W F
R380	1-249-441-11	CARBON 100K 5%	1/4W	△R516	1-234-182-11	ENCAPSULATED COMPONENT	
R402	1-249-417-11	CARBON 1K 5%	1/4W F	△R517	1-249-393-11	CARBON 10 5%	1/4W F
R403	1-249-417-11	CARBON 1K 5%	1/4W F	R520	1-249-425-11	CARBON 4.7K 5%	1/4W F
R404	1-249-417-11	CARBON 1K 5%	1/4W F	R521	1-247-850-91	CARBON 6.2 5%	1/4W F
R405	1-249-417-11	CARBON 1K 5%	1/4W F	R522	1-249-419-11	CARBON 1.5K 5%	1/4W F
R406	1-249-417-11	CARBON 1K 5%	1/4W F	R528	1-249-389-11	CARBON 4.7 5%	1/4W F
R407	1-249-417-11	CARBON 1K 5%	1/4W F	R529	1-247-863-91	CARBON 22K 5%	1/4W
R408	1-249-429-11	CARBON 10K 5%	1/4W			(DE245)	
R409	1-249-417-11	CARBON 1K 5%	1/4W F	R529	1-247-864-91	CARBON 24K 5%	1/4W
R410	1-249-417-11	CARBON 1K 5%	1/4W F			(DE345:CIS,EE)	
R435	1-249-418-11	CARBON 1.2K 5%	1/4W F	R529	1-247-866-91	CARBON 30K 5%	1/4W
R442	1-249-418-11	CARBON 1.2K 5%	1/4W F			(EXCEPT DE345:CIS,EE)	
R443	1-249-418-11	CARBON 1.2K 5%	1/4W F	R530	1-249-425-11	CARBON 4.7K 5%	1/4W F
R447	1-249-436-11	CARBON 39K 5%	1/4W	R531	1-249-425-11	CARBON 4.7K 5%	1/4W F
R448	1-249-436-11	CARBON 39K 5%	1/4W	R535	1-249-431-11	CARBON 15K 5%	1/4W
R449	1-247-863-91	CARBON 22K 5%	1/4W	R537	1-249-401-11	CARBON 47 5%	1/4W F
R452	1-249-417-11	CARBON 1K 5%	1/4W F	R539	1-249-421-11	CARBON 2.2K 5%	1/4W F
R453	1-249-417-11	CARBON 1K 5%	1/4W F	R540	1-247-881-00	CARBON 120K 5%	1/4W
				R541	1-249-431-11	CARBON 15K 5%	1/4W
				R573	1-249-437-11	CARBON 47K 5%	1/4W

<p>The components identified by mark △ or dotted line with mark △ are critical for safety. Replace only with part number specified.</p>	<p>Les composants identifiés par une marque △ sont critiques pour la sécurité. Ne les remplacer que par une pièce portant le numéro spécifié.</p>	<p>以阴影和 △ 标志来识别的零部件，在安全方面具有关键性。因此只能以规定号码的零部件来更换。</p>
---	---	--

MAIN

Ref. No.	Part No.	Description	Remarks	Ref. No.	Part No.	Description	Remarks
R601	1-249-417-11	CARBON	1K 5% 1/4W F	R677	1-247-863-91	CARBON	22K 5% 1/4W
R602	1-249-439-11	CARBON	68K 5% 1/4W	R678	1-247-863-91	CARBON	22K 5% 1/4W
R603	1-249-417-11	CARBON	1K 5% 1/4W F	R683	1-249-437-11	CARBON	47K 5% 1/4W
R603	1-249-421-11	CARBON	2.2K 5% 1/4W F (DE345:US,CND,E,EA,PX,AUS,MX,SP,MY,AR,CH) (DE245:AEP,UK,CIS,EE)	R684	1-249-431-11	CARBON	15K 5% 1/4W
R603	1-249-419-11	CARBON	1.5K 5% 1/4W F (DE245:US,CND,AUS,E,EA,MX,SP,MY/DE345:AEP,CIS,EE)	R701	1-249-417-11	CARBON	1K 5% 1/4W F
R604	1-249-439-11	CARBON	68K 5% 1/4W	R702	1-249-439-11	CARBON	68K 5% 1/4W
R610	1-249-421-11	CARBON	2.2K 5% 1/4W F	R703	1-249-414-11	CARBON	560 5% 1/4W F (DE345:AEP,CIS,EE)
R611	1-249-440-11	CARBON	82K 5% 1/4W	R703	1-249-417-11	CARBON	1K 5% 1/4W F (DE345:US,CND,E,EA,PX,AUS,MX,SP,MY,AR,CH)
R613	1-249-414-11	CARBON	560 5% 1/4W F	R703	1-249-421-11	CARBON	2.2K 5% 1/4W F (DE245:AEP,UK,CIS,EE)
△ R614	1-249-408-11	CARBON	180 5% 1/4W F	R703	1-249-419-11	CARBON	1.5K 5% 1/4W F (DE245:AUS,E,EA,MX,SP,MY)
△ R615	1-249-408-11	CARBON	180 5% 1/4W F	R704	1-249-439-11	CARBON	68K 5% 1/4W
△ R616	1-234-182-11	ENCAPSULATED COMPONENT		R705	1-247-863-91	CARBON	22K 5% 1/4W
R617	1-249-393-11	CARBON	10 5% 1/4W F	R706	1-216-453-00	METAL OXIDE	270 5% 2W
△ R618	1-249-389-11	CARBON	4.7 5% 1/4W F	R707	1-215-883-11	METAL OXIDE	33 5% 2W (DE345:CND,E,EA,PX)
R620	1-249-425-11	CARBON	4.7K 5% 1/4W F	R707	1-215-885-00	METAL OXIDE	68 5% 2W (DE345:AEP,CIS,EE)
R621	1-247-850-11	CARBON	6.2K 5% 1/4W	R707	1-215-880-00	METAL OXIDE	10 5% 2W (DE345:US)
R622	1-249-419-11	CARBON	1.5K 5% 1/4W F	R707	1-216-452-11	METAL OXIDE	180 5% 2W (DE245:AEP,UK,AUS,E,EA,MX,CIS,EE,SP,MY/ DE345:AUS,MX,SP,MY,AR,CH)
R623	1-249-437-11	CARBON	47K 5% 1/4W	R710	1-249-421-11	CARBON	2.2K 5% 1/4W F
R625	1-247-881-00	CARBON	120K 5% 1/4W	R711	1-249-440-11	CARBON	82K 5% 1/4W
R626	1-249-431-11	CARBON	15K 5% 1/4W	R713	1-249-414-11	CARBON	560 5% 1/4W F
R630	1-249-425-11	CARBON	4.7K 5% 1/4W F	△ R714	1-249-409-11	CARBON	220 5% 1/4W F
R631	1-249-425-11	CARBON	4.7K 5% 1/4W F	△ R715	1-249-409-11	CARBON	220 5% 1/4W F
R638	1-247-881-00	CARBON	120K 5% 1/4W	△ R716	1-234-182-11	ENCAPSULATED COMPONENT	
△ R648	1-249-401-11	CARBON	47 5% 1/4W F	△ R717	1-249-393-11	CARBON	10 5% 1/4W F
R651	1-249-417-11	CARBON	1K 5% 1/4W F	△ R718	1-249-389-11	CARBON	4.7 5% 1/4W F
R652	1-249-439-11	CARBON	68K 5% 1/4W	R719	1-249-425-11	CARBON	4.7K 5% 1/4W F
R653	1-249-412-11	CARBON	390 5% 1/4W F (DE345:US,CND,E,EA,PX,AUS,MX,SP,MY,AR,CH)	R721	1-247-850-11	CARBON	6.2K 5% 1/4W
R653	1-249-415-11	CARBON	680 5% 1/4W F (DE245:AEP,UK,CIS,EE/DE345:AEP,CIS,EE)	R722	1-249-419-11	CARBON	1.5K 5% 1/4W F
R653	1-249-414-11	CARBON	560 5% 1/4W F (DE245:AUS,E,EA,MX,SP,MY)	R723	1-249-437-11	CARBON	47K 5% 1/4W
R654	1-249-439-11	CARBON	68K 5% 1/4W	R724	1-247-881-00	CARBON	120K 5% 1/4W
R660	1-249-421-11	CARBON	2.2K 5% 1/4W F	R727	1-247-863-91	CARBON	22K 5% 1/4W
R661	1-249-440-11	CARBON	82K 5% 1/4W	△ R728	1-249-401-11	CARBON	47 5% 1/4W F
R663	1-249-414-11	CARBON	560 5% 1/4W F	R730	1-249-425-11	CARBON	4.7K 5% 1/4W F
△ R664	1-249-408-11	CARBON	180 5% 1/4W F	R731	1-249-425-11	CARBON	4.7K 5% 1/4W F
△ R665	1-249-408-11	CARBON	180 5% 1/4W F	△ R732	1-249-381-11	CARBON	1 5% 1/4W F
△ R666	1-234-182-11	ENCAPSULATED COMPONENT		△ R733	1-249-381-11	CARBON	1 5% 1/4W F
△ R667	1-249-393-11	CARBON	10 5% 1/4W F	R735	1-249-427-11	CARBON	6.8K 5% 1/4W F
△ R668	1-249-389-11	CARBON	4.7 5% 1/4W F	R736	1-249-417-11	CARBON	1K 5% 1/4W F
R670	1-249-425-11	CARBON	4.7K 5% 1/4W F	R737	1-247-869-91	CARBON	39K 5% 1/4W F
R671	1-247-850-11	CARBON	6.2K 5% 1/4W	R738	1-247-881-00	CARBON	120K 5% 1/4W
R672	1-249-419-11	CARBON	1.5K 5% 1/4W F	R739	1-249-431-11	CARBON	15K 5% 1/4W
R674	1-247-863-91	CARBON	22K 5% 1/4W (DE245)	R740	1-247-863-91	CARBON	22K 5% 1/4W (DE245)
R674	1-247-864-91	CARBON	24K 5% 1/4W (DE345:CIS,EE)	R740	1-247-864-91	CARBON	24K 5% 1/4W (DE345:CIS,EE)
R674	1-247-866-91	CARBON	30K 5% 1/4W (EXCEPT DE345:CIS,EE)	R740	1-247-866-91	CARBON	30K 5% 1/4W (EXCEPT DE345:CIS,EE)
R675	1-249-421-11	CARBON	2.2K 5% 1/4W F	R741	1-216-455-11	METAL OXIDE	560 5% 2W (DE345:AEP,CIS,EE)
R676	1-249-431-11	CARBON	15K 5% 1/4W	R741	1-215-868-00	METAL OXIDE	680 5% 1W (DE345:US,CND,E,EA,PX,AUS,MX,SP,MY,AR,CH)

The components identified by mark △ or dotted line with mark △ are critical for safety. Replace only with part number specified.

Les composants identifiés par une marque △ sont critiques pour la sécurité. Ne les remplacer que par une pièce portant le numéro spécifié.

以阴影和 △标志来识别的零部件，在安全方面具有关键性。因此只能以规定号码的零部件来更换。

MAIN

POWER SWITCH

PRIMARY

SECONDARY

Ref. No.	Part No.	Description	Remarks	Ref. No.	Part No.	Description	Remarks
R741	1-216-454-11	METAL OXIDE	390 5% 2W (DE245:AEP,UK,CIS,EE)	△RR11	1-249-393-11	CARBON 10 5% 1/4W F (DE245:AEP,UK,CIS,EE/DE345:AEP,CIS,EE)	
R741	1-215-867-00	METAL OXIDE	470 5% 1W (DE245:AUS,E,EA,MX,SP,MY)	△RR12	1-249-393-11	CARBON 10 5% 1/4W F (DE245:AEP,UK,CIS,EE/DE345:AEP,CIS,EE)	
R743	1-249-425-11	CARBON	4.7K 5% 1/4W F	△RR13	1-249-393-11	CARBON 10 5% 1/4W F (DE245:AEP,UK,CIS,EE/DE345:AEP,CIS,EE)	
R744	1-249-431-11	CARBON	15K 5% 1/4W	△RR14	1-249-393-11	CARBON 10 5% 1/4W F (DE245:AEP,UK,CIS,EE/DE345:AEP,CIS,EE)	
R745	1-249-421-11	CARBON	2.2K 5% 1/4W F	△RR15	1-249-393-11	CARBON 10 5% 1/4W F (DE245:AEP,UK,CIS,EE/DE345:AEP,CIS,EE)	
R746	1-247-863-91	CARBON	22K 5% 1/4W	RR52	1-249-437-11	CARBON 47K 5% 1/4W	
R747	1-249-425-11	CARBON	4.7K 5% 1/4W F	RR54	1-249-437-11	CARBON 47K 5% 1/4W	
R751	1-249-417-11	CARBON	1K 5% 1/4W F	RR55	1-249-437-11	CARBON 47K 5% 1/4W	
R752	1-249-439-11	CARBON	68K 5% 1/4W	RR57	1-249-437-11	CARBON 47K 5% 1/4W	
R753	1-249-412-11	CARBON	390 5% 1/4W F (DE345:US,CND,E,EA,PX,AUS,MX,SP,MY,AR,CH)	< RELAY >			
R753	1-249-415-11	CARBON	680 5% 1/4W F (DE245:AEP,UK,CIS,EE/DE345:AEP,CIS,EE)	RY470	1-755-267-11	RELAY	
R753	1-249-414-11	CARBON	560 5% 1/4W F (DE245:AUS,E,EA,MX,SP,MY)	RY510	1-755-170-11	RELAY (12V)	
R754	1-249-439-11	CARBON	68K 5% 1/4W	RY610	1-755-170-11	RELAY (12V)	
R760	1-249-421-11	CARBON	2.2K 5% 1/4W F	RY710	1-755-170-11	RELAY (12V)	
R761	1-249-440-11	CARBON	82K 5% 1/4W	RY791	1-515-614-11	RELAY	
R763	1-249-414-11	CARBON	560 5% 1/4W F	< TERMINAL >			
△R764	1-249-409-11	CARBON	220 5% 1/4W F	TM601	1-537-510-11	TERMINAL BOARD (SPEAKER) (6P)	
△R765	1-249-409-11	CARBON	220 5% 1/4W F	TM602	1-537-925-31	TERMINAL BOARD	
△R766	1-234-182-11	ENCAPSULATED COMPONENT		< VIBRATOR >			
△R767	1-249-393-11	CARBON	10 5% 1/4W F	X1	1-579-900-21	VIBRATOR, CRYSTAL 4.33MHz (DE245:AEP,UK,CIS,EE/DE345:AEP,CIS,EE)	
△R768	1-249-389-11	CARBON	4.7 5% 1/4W F	*****			
R770	1-249-425-11	CARBON	4.7K 5% 1/4W F	1-676-802-11	POWER SWITCH BOARD	*****	
R771	1-247-850-11	CARBON	6.2K 5% 1/4W	< CONNECTOR >			
R772	1-249-419-11	CARBON	1.5K 5% 1/4W F	CNP202	1-573-105-11	CONNECTOR, PC BOARD 4P	
R775	1-249-421-11	CARBON	2.2K 5% 1/4W F	< SWITCH >			
R776	1-249-431-11	CARBON	15K 5% 1/4W	S200	1-771-410-21	SWITCH, TACTILE (POWER)	
R777	1-247-864-91	CARBON	24K 5% 1/4W (DE345:CIS,EE)	S201	1-771-854-11	SWITCH, PUSH (1 KEY)(SPEAKER)	
R777	1-247-866-91	CARBON	30K 5% 1/4W (EXCEPT DE345:CIS,EE)	*****			
R778	1-249-431-11	CARBON	15K 5% 1/4W	PRIMARY BOARD			
R779	1-249-437-11	CARBON	47K 5% 1/4W	*****			
R791	1-216-455-11	METAL OXIDE	560 5% 2W (DE345:AEP,CIS,EE)	(EXCEPT DE245:E,EA/DE345:E,EA,PX)			
R791	1-215-868-00	METAL OXIDE	680 5% 1W (DE345:US,CND,E,EA,PX,AUS,MX,SP,MY,AR,CH)	< CONNECTOR >			
R791	1-216-454-11	METAL OXIDE	390 5% 2W (DE245:AEP,UK,CIS,EE)	* CNP902	1-564-321-21	PIN, CONNECTOR 2P	
R791	1-215-867-00	METAL OXIDE	470 5% 1W (DE245:AUS,E,EA,MX,SP,MY)	*****			
R793	1-249-425-11	CARBON	4.7K 5% 1/4W F	1-676-800-11	SECONDARY BOARD	*****	
△R795	1-249-401-11	CARBON	47 5% 1/4W F	< RF MODULATOR >			
△R803	1-249-386-11	CARBON	2.7 5% 1/6W F	△RF801	1-243-833-81	FUSIBLE 0.15 5% 1/2W	
R804	1-249-426-11	CARBON	5.6K 5% 1/4W	△RF802	1-243-833-81	FUSIBLE 0.15 5% 1/2W	
RR02	1-249-437-11	CARBON	47K 5% 1/4W	*****			
RR04	1-249-437-11	CARBON	47K 5% 1/4W	*****			
RR05	1-249-437-11	CARBON	47K 5% 1/4W	*****			
RR07	1-249-437-11	CARBON	47K 5% 1/4W	*****			

<p>The components identified by mark △ or dotted line with mark △ are critical for safety. Replace only with part number specified.</p>	<p>Les composants identifiés par une marque △ sont critiques pour la sécurité. Ne les remplacer que par une pièce portant le numéro spécifié.</p>	<p>以阴影和 △标志来识别的零部件，在安全方面具有关键性。因此只能以规定号码的零部件来更换。</p>
---	---	---

STANDBY

TUNING

Ref. No.	Part No.	Description	Remarks
	A-4428-270-A	STANDBY BOARD, COMPLETE (DE345:US,CND,MX) *****	
	A-4428-279-A	STANDBY BOARD, COMPLETE (DE245:MX) *****	
	A-4428-388-A	STANDBY BOARD, COMPLETE (DE345:AUS) *****	
	A-4428-391-A	STANDBY BOARD, COMPLETE (DE345:SP,MY,AR) *****	
	A-4428-392-A	STANDBY BOARD, COMPLETE (DE345:CH) *****	
	A-4428-395-A	STANDBY BOARD, COMPLETE (DE345:E,EA,PX) *****	
	A-4428-402-A	STANDBY BOARD, COMPLETE (DE245:AUS) *****	
	A-4428-405-A	STANDBY BOARD, COMPLETE (DE245:SP,MY) *****	
	A-4428-407-A	STANDBY BOARD, COMPLETE (DE245:E,EA) *****	
	A-4428-411-A	STANDBY BOARD, COMPLETE (DE245:AEP,UK,CIS,EE) *****	
	A-4428-416-A	STANDBY BOARD, COMPLETE (DE345:AEP,CIS,EE) *****	
	1-533-293-31	FUSE HOLDER < CAPACITOR >	
△ C920	1-161-494-00	CERAMIC 0.022uF 25V	
△ C921	1-161-494-00	CERAMIC 0.022uF 25V	
C950	1-126-767-11	ELECT 1000uF 20.00% 16V	
C951	1-161-494-00	CERAMIC 0.022uF 25V	
C952	1-126-960-11	ELECT 1uF 20.00% 50V	
C953	1-124-464-11	ELECT 0.22uF 20% 50V	
C954	1-126-964-11	ELECT 10uF 20.00% 50V	
C955	1-164-159-21	CERAMIC 0.1uF 50V	
C957	1-164-159-21	CERAMIC 0.1uF 50V	
C958	1-164-159-21	CERAMIC 0.1uF 50V	
		< CONNECTOR >	
CN901	1-691-766-11	PLUG (MICRO CONNECTOR) 4P	
CNP901	1-564-321-00	PIN, CONNECTOR 2P	
CNP906	1-568-106-11	PIN, CONNECTOR 4P (DE245:E,EA/DE345:E,EA,PX)	
		< DIODE >	
D901	8-719-991-33	DIODE 1SS133T-77	
D910	8-719-200-82	DIODE 11ES2-NTA1B	
D911	8-719-200-82	DIODE 11ES2-NTA1B	
D912	8-719-200-82	DIODE 11ES2-NTA1B	
D913	8-719-200-82	DIODE 11ES2-NTA1B	
D914	8-719-991-33	DIODE 1SS133T-77	
D915	8-719-991-33	DIODE 1SS133T-77	
		< FUSE >	
△ F901	1-532-285-00	FUSE (1.25A) (AEP,UK,AUS,CIS,EE,SP,MY,CH)	
△ F901	1-532-388-51	FUSE (2A) (E,EA)	
△ F901	1-532-748-11	FUSE (6.3A) (US,CND)	

Ref. No.	Part No.	Description	Remarks
		< EARTH >	
* G901	1-537-738-21	TERMINAL, EARTH < IC >	
IC950	8-759-333-83	IC NJM2103D < TRANSISTOR >	
Q901	8-729-119-78	TRANSISTOR 2SC2785TP-HFE	
Q951	8-729-045-21	TRANSISTOR 2SD1513TP-LK < RESISTOR >	
△ R901	1-202-725-00	SOLID 3.3M 10% 1/2W	
R902	1-249-437-11	CARBON 47K 5% 1/4W	
R903	1-249-425-11	CARBON 4.7K 5% 1/4W F	
R950	1-249-421-11	CARBON 2.2K 5% 1/4W F	
R951	1-249-428-11	CARBON 8.2K 5% 1/4W F	
R952	1-249-422-11	CARBON 2.7K 5% 1/4W F	
R953	1-247-863-91	CARBON 22K 5% 1/4W	
R954	1-249-437-11	CARBON 47K 5% 1/4W	
R955	1-249-429-11	CARBON 10K 5% 1/4W	
R956	1-247-843-11	CARBON 3.3K 5% 1/4W	
R957	1-249-417-11	CARBON 1K 5% 1/4W F	
R960	1-249-431-11	CARBON 15K 5% 1/4W	
		< RELAY >	
RY901	1-755-276-11	RELAY, POWER < TRANSFORMER >	
△ T902	1-435-281-11	TRANSFORMER, POWER (DE245:MX/DE345:US,CND,MX)	
△ T902	1-435-282-11	TRANSFORMER, POWER (DE245:AEP,UK,AUS,CIS,EE,SP,MY/DE345:AEP,AUS,SP,MY,AR,CIS,EE,CH)	
△ T902	1-435-283-11	TRANSFORMER, POWER (DE245:E,EA/DE345:E,EA,PX) *****	
	1-676-803-11	TUNING BOARD ***** < CONNECTOR >	
CNP201	1-573-105-11	CONNECTOR, PC BOARD 4P < DIODE >	
D216	8-719-046-39	DIODE SEL5821A-TP15 (MUTING) < RESISTOR >	
R223	1-247-817-91	CARBON 270 5% 1/4W F	
R254	1-247-843-11	CARBON 3.3K 5% 1/4W	
R255	1-249-425-11	CARBON 4.7K 5% 1/4W F	
R256	1-249-411-11	CARBON 330 5% 1/4W	
R257	1-249-413-11	CARBON 470 5% 1/4W F	

The components identified by mark △ or dotted line with mark △ are critical for safety. Replace only with part number specified.

Les composants identifiés par une marque △ sont critiques pour la sécurité. Ne les remplacer que par une pièce portant le numéro spécifié.

以阴影和 △标志来识别的零部件，在安全方面具有关键性。因此只能以规定号码的零部件来更换。

Ref. No.	Part No.	Description	Remarks	Ref. No.	Part No.	Description	Remarks
R258	1-249-415-11	CARBON	680 5% 1/4W F	△ R296	1-249-402-11	CARBON	56 5% 1/4W F
R259	1-249-417-11	CARBON	1K 5% 1/4W F	△ R297	1-249-402-11	CARBON	56 5% 1/4W F
R260	1-249-419-11	CARBON	1.5K 5% 1/4W F	*****			
R261	1-249-421-11	CARBON	2.2K 5% 1/4W F		1-676-805-11	VOL-SEL BOARD (DE245:E,EA/DE345:E,EA,PX)	
R262	1-247-843-11	CARBON	3.3K 5% 1/4W			*****	
		(DE245:AEP,UK,CIS,EE/DE345:AEP,CIS,EE)			1-533-293-31	FUSE HOLDER	
R263	1-249-425-11	CARBON	4.7K 5% 1/4W F			< CONNECTOR >	
		(DE245:AEP,UK,CIS,EE/DE345:AEP,CIS,EE)			* CNP908	1-564-687-11	PIN, CONNECTOR 3P
		< SWITCH >					< SWITCH >
S226	1-771-410-21	SWITCH, TACTILE (PRESET -)			△ S901	1-571-437-21	SWITCH, POWER VOLTAGE CHANGE(VOLTAGE)
S227	1-771-410-21	SWITCH, TACTILE (TUNING -)			*****		
S228	1-771-410-21	SWITCH, TACTILE (FM/AM)				MISCELLANEOUS	
S229	1-771-410-21	SWITCH, TACTILE (SHIFT)				*****	
S230	1-771-410-21	SWITCH, TACTILE (B.BOOST)		58	1-773-001-11	WIRE(FLAT TYPE) (15 CORE)	
S231	1-771-410-21	SWITCH, TACTILE (MUTING)		59	1-769-850-11	WIRE(FLAT TYPE) (5 CORE)(DE345)	
S232	1-771-410-21	SWITCH, TACTILE (FM MODE)		61	1-693-407-41	TUNER	
S233	1-771-410-21	SWITCH, TACTILE (PRESET +)		△ 67	1-696-847-11	CORD, POWER (AUS)	
S234	1-771-410-21	SWITCH, TACTILE (TUNING +)		△ 67	1-777-071-21	CORD, POWER (AEP,UK,E,CIS,EE,SP,MY,PX)	
S235	1-771-410-21	SWITCH, TACTILE (MEMORY)		△ 67	1-783-205-11	CORD, POWER (CH)	
S236	1-771-410-21	SWITCH, TACTILE (EON)		△ 67	1-783-820-11	CORD, POWER (US,CND,MX)	
		(DE245:AEP,UK,CIS,EE/DE345:AEP,CIS,EE)		68	1-569-008-21	ADAPTOR, CONVERSION 2P (E,EA,PX)	
S237	1-771-410-21	SWITCH, TACTILE (PTY)		△ T901	1-435-267-11	TRANSFORMER, POWER (DE245:AUS)	
		(DE245:AEP,UK,CIS,EE/DE345:AEP,CIS,EE)		△ T901	1-435-268-11	TRANSFORMER, POWER (DE245:SP,MY)	
*****				△ T901	1-435-269-11	TRANSFORMER, POWER (DE245:E,EA)	
	1-676-806-11	VIDEO BOARD (DE345)		△ T901	1-435-270-11	TRANSFORMER, POWER	
		*****				(DE245:AEP,UK,CIS,EE)	
		< CAPACITOR >		△ T901	1-435-564-11	TRANSFORMER, POWER (DE245:MX)	
C291	1-126-960-11	ELECT	1uF 20.00% 50V	△ T901	1-435-271-11	TRANSFORMER, POWER (DE345:US)	
C292	1-126-960-11	ELECT	1uF 20.00% 50V	△ T901	1-435-272-11	TRANSFORMER, POWER (DE345:CND)	
C293	1-126-960-11	ELECT	1uF 20.00% 50V	△ T901	1-435-273-11	TRANSFORMER, POWER (DE345:AUS)	
C294	1-162-215-31	CERAMIC	47PF 5% 50V	△ T901	1-435-274-11	TRANSFORMER, POWER (DE345:SP,MY,AR,CH)	
C295	1-162-215-31	CERAMIC	47PF 5% 50V	△ T901	1-435-275-11	TRANSFORMER, POWER (DE345:E,EA,PX)	
C296	1-164-159-21	CERAMIC	0.1uF 50V	△ T901	1-435-276-11	TRANSFORMER, POWER (DE345:AEP,CIS,EE)	
C297	1-104-664-11	ELECT	47uF 20.00% 25V	△ T901	1-435-565-11	TRANSFORMER, POWER (DE345:MX)	
C298	1-164-159-21	CERAMIC	0.1uF 50V	*****			
C299	1-126-924-11	ELECT	330uF 20.00% 10V			< CONNECTOR >	
					CNS281	1-569-315-11	SOCKET, CONNECTOR 5P
							< IC >
					IC281	8-759-333-84	IC NJM2279D
							< JACK >
					J281	1-695-317-11	JACK, PIN 2P (5.1CH/DVD)
					J282	1-766-199-11	JACK, PIN 3P (VIDEO)
							< RESISTOR >
R291	1-247-804-11	CARBON	75 5% 1/4W				
R292	1-247-804-11	CARBON	75 5% 1/4W				
R293	1-247-804-11	CARBON	75 5% 1/4W				
R294	1-247-804-11	CARBON	75 5% 1/4W				
R295	1-247-804-11	CARBON	75 5% 1/4W				

The components identified by mark △ or dotted line with mark △ are critical for safety. Replace only with part number specified.

Les composants identifiés par une marque △ sont critiques pour la sécurité. Ne les remplacer que par une pièce portant le numéro spécifié.

以阴影和 △ 标志来识别的零部件，在安全方面具有关键性。因此只能以规定号码的零部件来更换。

STR-DE245/DE345

Ref. No.	Part No.	Description	Remarks	Ref. No.	Part No.	Description	Remarks
		ACCESSORIES & PACKING MATERIALS				*****	
		*****				HARDWARE LIST	
		*****				*****	
	1-418-833-11	REMOTE COMMANDER (DE245)		#1	7-685-646-79	SCREW +BVTP 3X8 TYPE2 IT-3	
	1-501-594-11	ANTENNA (FM)		#2	7-685-645-79	SCREW +BVTP 3X6 TYPE2 N-S	
	1-501-721-11	ANTENNA (LOOP)		#3	7-685-881-09	SCREW +BVTT 4X8 (S)	
	1-793-184-21	CONNECTOR (F TYPE ADAPTOR)					
		(DE245:E,EA,MX/DE345:US,CND,E,EA,PX,MX,AR)					
	4-227-866-11	MANUAL, INSTRUCTION (ENGLISH)					
		(DE345:US,CND,E,EA,PX,AUS,SP,MY,CH)					
	4-227-866-21	MANUAL, INSTRUCTION (FRENCH,SPANISH)					
		(DE345:CND,E,EA,PX,SP,MY)					
	4-227-866-31	MANUAL, INSTRUCTION (CHINESE)					
		(DE345:E,EA,PX,SP,MY,CH)					
	4-227-866-41	MANUAL, INSTRUCTION					
		(ENGLISH,POLISH,RUSSIAN)(DE345:CIS,EE)					
	4-227-866-51	MANUAL, INSTRUCTION (DANISH,FINNISH)					
		(DE345:AEP)					
	4-227-866-61	MANUAL, INSTRUCTION					
		(DUTCH,SWEDISH,GERMAN,ITALIAN,PORTUGUESE)(DE345:AEP)					
	4-227-866-71	MANUAL, INSTRUCTION					
		(ENGLISH,FRENCH,SPANISH)(DE345:AEP)					
	4-227-866-81	MANUAL, INSTRUCTION (ENGLISH,TURKISH)					
		(DE345:CIS,EE)					
	4-227-986-11	INSTRUCTION MANUAL (ENGLISH)					
		(DE345:US)					
	4-227-986-21	INSTRUCTION MANUAL					
		(ENGLISH,FRENCH,SPANISH,CHINESE)					
		(DE245:AUS,E,EA,MX,SP,MY/					
		DE345:CND,E,EA,MX,PX,AUS,SP,MY,AR)					
	4-227-986-31	INSTRUCTION MANUAL (CHINESE) (DE345:CH)					
	4-227-986-41	INSTRUCTION MANUAL					
		(ENGLISH,FRENCH,DUTCH,SWEDISH)					
		(DE245:AEP,UK/DE345:AEP)					
	4-227-986-51	INSTRUCTION MANUAL					
		(GERMAN,SPANISH,ITALIAN,PORTUGUESE)					
		(DE245:AEP,UK/DE345:AEP)					
	4-227-986-61	INSTRUCTION MANUAL					
		(ENGLISH,RUSSIAN,POLISH)					
		(DE245:CIS,EE/DE345:CIS,EE)					
	4-227-986-71	INSTRUCTION MANUAL (ENGLISH,TURKISH)					
		(DE245:CIS,EE/DE345:CIS,EE)					
	8-917-423-90	REMOTE COMMANDER RM-PP404 SET					
		(DE345)					
	4-228-696-01	REMOTE COVER (DE245)					
	4-978-977-01	REMOTE COVER (DE345)					
