

STR-DE835/DE935/SE591/V828

SERVICE MANUAL

Ver. 1.2 2006.04



Photo : STR-DE935

US Model
STR-DE835/DE935/SE591
Canadian Model
STR-DE835/DE935
E Model
Australian Model
PX Model
STR-DE835
Chinese Model
STR-V828

Manufactured under license from Dolby Laboratories Licensing Corporation.

“DOLBY” and the double-D symbol \square are trademarks of Dolby Laboratories Licensing Corporation.

SPECIFICATIONS

AUDIO POWER SPECIFICATIONS:

POWER OUTPUT AND TOTAL

HARMONIC DISTORTION:

With 8 Ω loads, both channels driven, from 20 – 20,000 Hz; rated 110 W (STR-DE935) and 100 W (STR-DE835/SE591) per channel minimum RMS power, with no more than 0.09% total harmonic distortion from 250 mW to rated output (USA model only).

Amplifier section

POWER OUTPUT

Stereo mode

(8 Ω 20Hz – 20kHz, THD 0.09%)

USA, Canadian models

STR-DE935 : 110W + 110W

STR-DE835/SE591 : 100W + 100W

Other models

95W + 95W

(8 Ω 20Hz-20kHz, THD 0.09%)

135W + 135W

(8 Ω at 1kHz, THD 10%)

Surround mode

USA, Canadian models

(8 Ω at 1kHz, THD 0.8%)

STR-DE935

Front: 110W + 110W

Center^{a)}: 110W

Rear^{a)}: 110W + 110W

STR-DE835/SE591

Front: 100W + 100W

Center^{a)}: 100W

Rear^{a)}: 100W + 100W

Other models

Rated power

(8 Ω at 1kHz, THD 0.7%)

Front: 100W + 100W

Center^{a)}: 100W

Rear^{a)}: 100W + 100W

Reference

(8 Ω 20Hz-20Hz, THD 0.9%)

Front: 95W + 95W

Center^{a)}: 95W

Rear^{a)}: 95W + 95W

(8 Ω at 1kHz, THD 10%)

Front: 135W + 135W

Center^{a)}: 135W

Rear^{a)}: 135W + 135W

a) Depending on the sound field settings and the source, there may be no sound output.

Dynamic power output

STR-DE935 :

165W + 165W, 8 Ω

250W + 250W, 4 Ω

STR-DE835/SE591 :

155W + 155W, 8 Ω

240W + 240W, 4 Ω

Frequency response

PHONO: RIAA

equalization curve ± 0.5 dB

CD, TAPE, MD/DAT, TAPE/MD, DVD/LD,

TV/SAT, VIDEO 1, 2, and VIDEO 3 (STR-DE935 only):

10Hz – 50kHz + 0.5/–2dB (with sound field, equalizer, and bass boost bypassed)

— Continued on next page —

FM STEREO FM-AM RECEIVER

9-928-901-13

2006D16-1

© 2006.04

Sony Corporation

Home Audio Division

Published by Sony Techno Create Corporation

SONY®

Inputs (Analog) PHONO:
Sensitivity: 2.5mV
Impedance: 50kΩ
S/N^{b)}: 86dB (A, 2.5mV^{c)})
5.1CH INPUT, CD,DVD/LD,TAPE,MD/
DAT,TAPE/MD,TV/SAT,VIDEO1,2 and
VIDEO3(STR-DE935 only):
Sensitivity: 150mV
Impedance: 50kΩ
S/N^{b)}: 96dB (A, 150mV^{c)})

b) Input short
c) Weighted network, input level

Inputs (Digital) DVD/LD (coaxial):
Sensitivity: –
Impedance: 75Ω
S/N: 100dB (A, 20kHz LPF)
DVD/LD, TV/SAT, MD/TAPE (Optical):
Sensitivity: –
Impedance: –
S/N: 100dB (A, 20kHz LPF)
Outputs TAPE,MD/DAT,TAPE/MD, (REC OUT);
VIDEO1,2 (AUDIO OUT):
Voltage: 150mV,
Impedance: 10kΩ
SUB WOOFER:
Voltage:2V
Impedance: 1kΩ
PHONES:
Accepts low-and high-impedance headphones
+6dB at 70Hz
48kHz
BASS: 100Hz – 1.0kHz (21steps)
MID: 500Hz – 5.0kHz (21steps)
TREBLE:1.0kHz – 10kHz (21steps)
Gain levels: ±10dB, 1dB step

BASS BOOST
Sampling Frequency
EQ

FM tuner section

Tuning range 87.5 – 108.0MHz
Antenna terminals 75Ω, unbalanced
Sensitivity Mono: 18.3dBf, 2.2μV/75Ω
Stereo: 38.3dBf, 22.5μV/75Ω
Usable sensitivity 11.2dBf, 1μV/75Ω
S/N Mono: 76dB
Stereo: 70dB
Harmonic distortion at 1kHz
Mono: 0.3%
Stereo: 0.5%
Separation 45dB at 1kHz
Frequency response 30Hz – 15kHz + 0.5/–2dB
Selectivity 60dB at 400kHz

AM tuner section

Tuning range USA, Canadian, E, PX models
With 10-kHz tuning scale:
530 – 1,710kHz^{d)}
With 9-kHz tuning scale:
531 – 1,710kHz^{d)}
Other models
531 – 1,620kHz
Antenna Loop antenna
Usable sensitivity 50dB/m (at 1,000kHz or 999kHz)
S/N 54dB (at 50mV/m)

Harmonic distortion 0.5% (50mV/m, 400kHz)
Selectivity At 9kHz: 35dB
At 10kHz: 40dB

d) You can change the AM tuning scale to 9kHz. After tuning in any AM station, turn off the receiver. Hold down the TUNING + button and press the I/⏻ button. All preset stations will be erased when you change the tuning scale. To reset the scale to 10kHz, repeat the procedure.

Video section

Inputs VIDEO : 1Vp-p 75Ω
S-video : Y : 1Vp-p 75Ω
C : 0.286Vp-p 75Ω
Outputs VIDEO : 1Vp-p 75Ω
S-video : Y : 1Vp-p 75Ω
C : 0.286Vp-p 75Ω

General

System Tuner section:
PLL quartz-locked digital synthesizer system
Preamplifier section:
Low-noise NF type equalizer
Power amplifier section:
Pure-complementary SEPP

Power requirements USA, Canadian models
120V AC, 60Hz
Australian model
240V AC, 50Hz
Chinese model
220 – 230V AC 50/60Hz
E, PX models
120 or 220 or 240V AC 50/60Hz
(adjustable with the voltage selector)

Power consumption STR-DE935
USA: 290W
Canada: 345VA
STR-DE835/SE591
USA: 280W
Canada: 335VA
Australian: 230W
E, PX: 300W
Chinese: 200W

AC outlets USA, Canadian models
2switched, total 120W/1A
Other models
1switched, max 100W

Dimensions 430 × 376 × 157.5mm
(17 × 14⁷/₈ × 6¹/₄ in.)
including projecting parts and controls

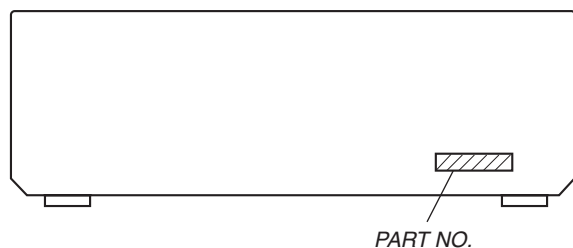
Mass (Approx.) 10.2kg (22 lbs. 8 oz.)

Supplied accessories FM wire antenna (1)
AM loop antenna (1)
Audio/video/control S connecting cord (1)
Control S connecting cord (1)
FM antenna adapter (1)
STR-DE935 only
Remote commander RM-LJ302 (remote) (1)
R6 (size-AA) alkaline batteries (3)
Other models
Remote commander RM-PP402 (remote) (1)
R6 (size-AA) batteries (2)

Design and specifications are subject to change without notice.

MODEL IDENTIFICATION

– BACK PANEL –



| MODEL | PARTS No. |
|-----------------------------------|--------------|
| DE835: US model | 4-217-900-3□ |
| DE835: Singapore, Malaysia models | 4-217-900-4□ |
| V828 | 4-217-900-5□ |
| DE835: Australian model | 4-217-900-6□ |
| DE835: E, PX models | 4-217-900-7□ |
| DE935 | 4-217-900-8□ |
| SE591 | 4-217-900-9□ |
| DE835: Canadian model | 4-218-334-11 |

TABLE OF CONTENTS

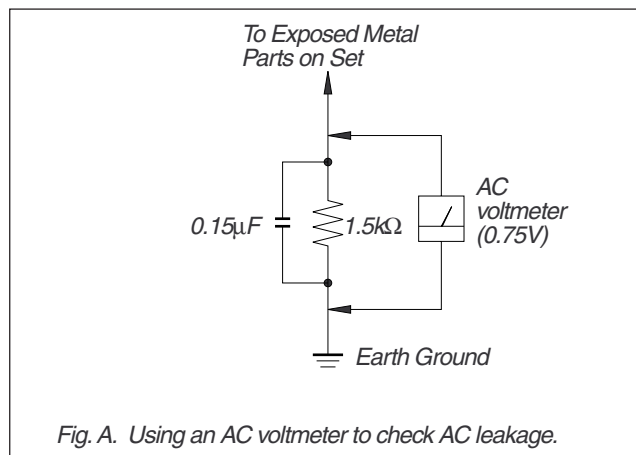
SAFETY CHECK-OUT (US model only)

After correcting the original service problem, perform the following safety checks before releasing the set to the customer: Check the antenna terminals, metal trim, "metallized" knobs, screws, and all other exposed metal parts for AC leakage. Check leakage as described below.

LEAKAGE

The AC leakage from any exposed metal part to earth ground and from all exposed metal parts to any exposed metal part having a return to chassis, must not exceed 0.5 mA (500 microamperes). Leakage current can be measured by any one of three methods.

1. A commercial leakage tester, such as the Simpson 229 or RCA WT-540A. Follow the manufacturers' instructions to use these instruments.
2. A battery-operated AC milliammeter. The Data Precision 245 digital multimeter is suitable for this job.
3. Measuring the voltage drop across a resistor by means of a VOM or battery-operated AC voltmeter. The "limit" indication is 0.75 V, so analog meters must have an accurate low-voltage scale. The Simpson 250 and Sanwa SH-63Trd are examples of a passive VOM that is suitable. Nearly all battery operated digital multimeters that have a 2V AC range are suitable. (See Fig. A)



| | |
|------------------------------------------------------|----|
| 1. GENERAL | 4 |
| 2. TEST MODE | 6 |
| 3. DIAGRAMS | |
| 3-1. Block Diagram Main Section | 7 |
| 3-2. Block Diagram Power Section | 9 |
| 3-3. Circuit Board Location | 11 |
| 3-4. Schematic Diagram Digital Section(1/3) | 13 |
| 3-5. Schematic Diagram Digital Section(2/3) | 15 |
| 3-6. Schematic Diagram Digital Section(3/3) | 17 |
| 3-7. Printed Wiring Board Digital Section(1/2) | 19 |
| 3-8. Printed Wiring Board Digital Section(2/2) | 21 |
| 3-9. Printed Wiring Board Display Section | 23 |
| 3-10. Schematic Diagram Surround Section | 25 |
| 3-11. Printed Wiring Board Surround Section | 27 |
| 3-12. Schematic Diagram Surround Section | 29 |
| 3-13. Printed Wiring Board Rear AMP Section | 31 |
| 3-14. Schematic Diagram Rear AMP Section | 33 |
| 3-15. Printed Wiring Board Power Section | 35 |
| 3-16. Schematic Diagram Power Section | 37 |
| 3-17. Printed Wiring Board Video Section | 39 |
| 3-18. Schematic Diagram Video Section | 41 |
| 3-19. Printed Wiring Board Main Section | 43 |
| 3-20. Schematic Diagram Main Section(1/2) | 45 |
| 3-21. Schematic Diagram Main Section(2/2) | 47 |
| 3-22. IC Pin Function | 49 |
| 3-23. IC Block Diagrams | 59 |
| 4. EXPLODED VIEWS | |
| 4-1. Front Panel Section | 62 |
| 4-2. Chassis Section | 64 |
| 5. ELECTRICAL PARTS LIST | 66 |

SAFETY-RELATED COMPONENT WARNING!!

COMPONENTS IDENTIFIED BY MARK \triangle OR DOTTED LINE WITH MARK \triangle ON THE SCHEMATIC DIAGRAMS AND IN THE PARTS LIST ARE CRITICAL TO SAFE OPERATION. REPLACE THESE COMPONENTS WITH SONY PARTS WHOSE PART NUMBERS APPEAR AS SHOWN IN THIS MANUAL OR IN SUPPLEMENTS PUBLISHED BY SONY.

与安全有关的零部件须知

在原理图上用阴影及 \triangle 标记来识别的零部件在安全操作上是具有关键性的。这些零部件要用本手册中所示的部件号对应的索尼零部件进行更换。

在安全操作上具有关键性的电路调整与索尼公司出版的维修手册完全一致。在更换关键零部件时或怀疑动作失常时，请进行这些调整操作。

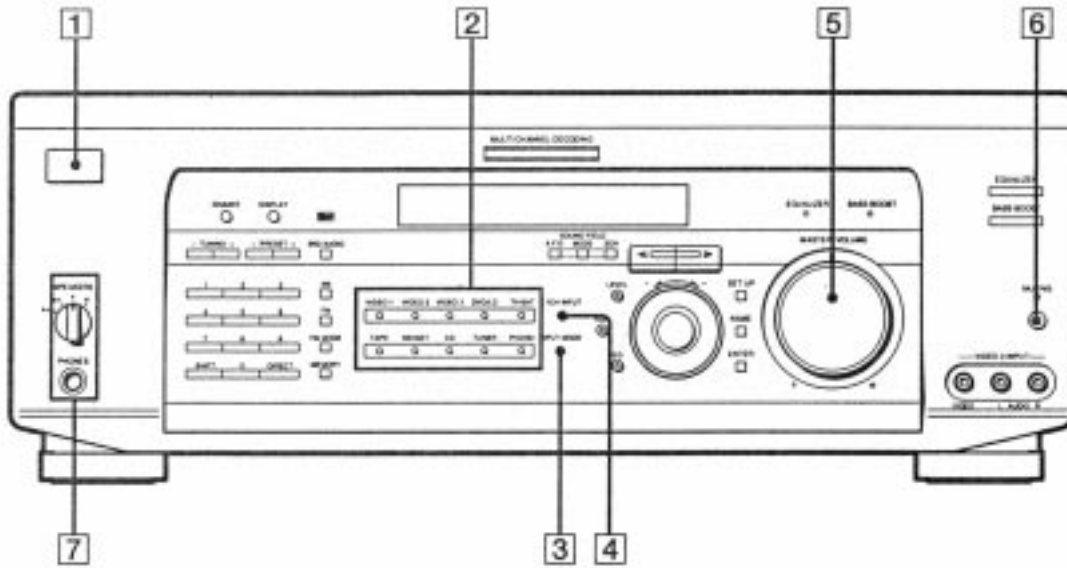
ATTENTION AU COMPOSANT AYANT RAPPORT À LA SÉCURITÉ!

LES COMPOSANTS IDENTIFIÉS PAR UNE MARQUE \triangle SUR LES DIAGRAMMES SCHÉMATIQUES ET LA LISTE DES PIÈCES SONT CRITIQUES POUR LA SÉCURITÉ DE FONCTIONNEMENT. NE REMPLACER CES COMPOSANTS QUE PAR DES PIÈCES SONY DONT LES NUMÉROS SONT DONNÉS DANS CE MANUEL OU DANS LES SUPPLÉMENTS PUBLIÉS PAR SONY.

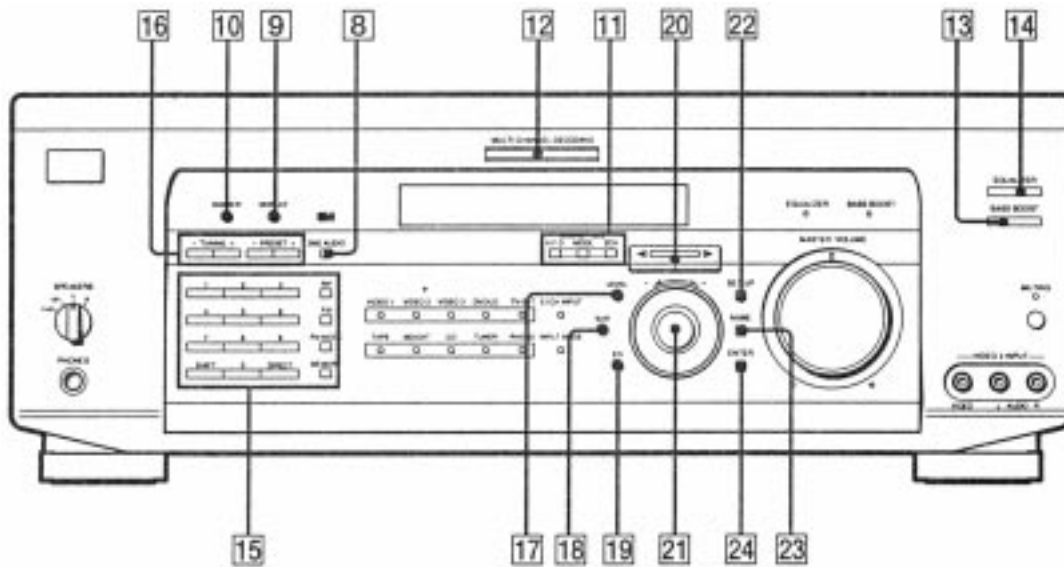
SECTION 1 GENERAL

Identifying the Parts

Front Panel



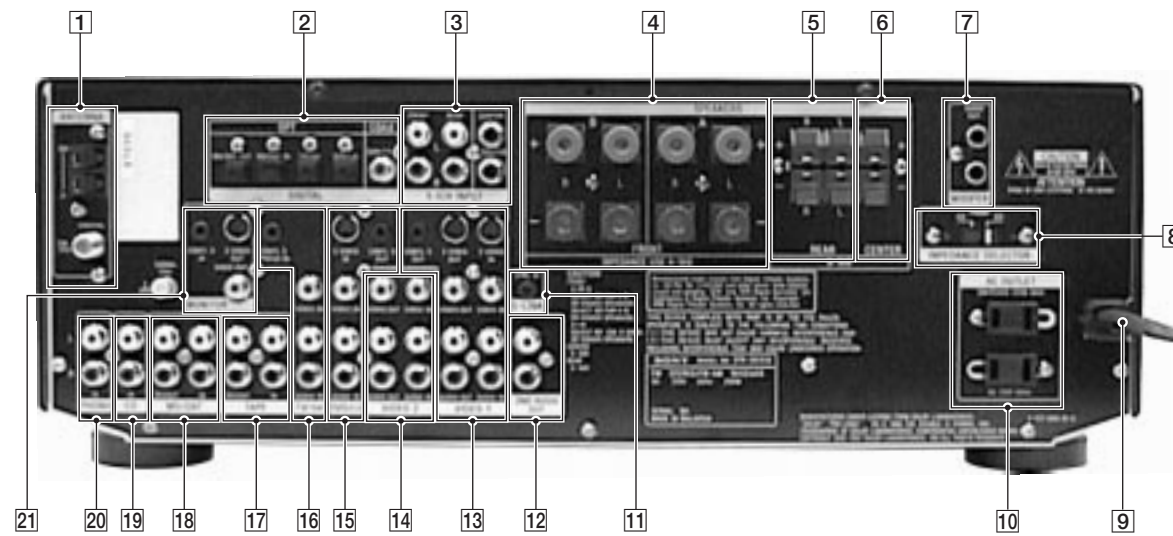
- | | |
|-----------------------------|--------------------------------|
| 1 I/O switch | 5 MASTER VOLUME control |
| 2 Function buttons | 6 MUTING button |
| 3 INPUT MODE button | 7 SPEAKERS selector |
| 4 5.1CH INPUT button | PHONES jack |



- | | |
|--------------------------------------------|-------------------------------|
| 8 2ND AUDIO button (DE935 MODEL) | 16 TUNING +/- buttons |
| 9 DISPLAY button | 17 LEVEL button |
| 10 DIMMER button | 18 SUR button |
| 11 A.F.D button/indicator | 19 EQ button |
| 12 MODE button/indicator | 20 Cursor buttons(</>) |
| 13 2CH button/indicator | 21 Jog dial |
| 14 MULTI CHANNEL DECODING indicator | 22 SET UP button |
| 15 BASS BOOST button | 23 NAME button |
| 16 EQUALIZER button | 24 ENTER button |
| 17 DIRECT button | |
| SHIFT button | |
| Numeric buttons (1 to 0) | |
| AM button | |
| FM button | |
| FM MODE button | |
| MEMORY button | |

SECTION 2 SERVICING NOTE

Rear Panel



- | | |
|-----------------------------|-------------------------------------------------------|
| 1 ANTENNA | 14 VIDEO 2 |
| 2 DIGITAL | 15 DVD/LD (US, Canadian, Australian models) |
| 3 5.1 CH INPUT | 16 TV/SAT (US, Canadian, Australian models) |
| 4 SPEAKERS (FRONT) | 17 TAPE (DE935 MODEL) |
| 5 SPEAKERS (REAR) | 18 MD/DAT (DE935 MODEL) |
| 6 SPEAKERS (CENTER) | 19 CD |
| 7 WOOFER | 20 PHONO |
| 8 INPEDANCE SELECTOR | 21 MONITOR |
| 9 AC power cord | |
| 10 AC OUTLET | |
| 11 S-LINK | |
| 12 2ND AUDIO OUT | |
| 13 VIDEO 1 | |

1. When the front panel is removed, the VR board is removed at the same time. Consequently the LEDs cannot be turned on and the sound volume cannot be increased or decreased from the remote control.

2. When servicing the DIGITAL board, be sure to connect the earth land of the DIGITAL board with the chassis frame so that the earth potential of the DIGITAL board must not be floated from the chassis frame.

SECTION 3 TEST MODE

FLUORESCENT INDICATOR TUBE TEST MODE

* All fluorescent segments are tested. When this test is activated, all segments turn on at the same time, then each segment turns on one after another.

* Procedure:

While depressing the ENTER, the LEVEL and the EQ buttons simultaneously, press the power [I/⏻] button to turn on the main power. All segments turn on at the same time, then each segment turns on press the ENTER button.

FACTORY SET MODE

* All preset contents are reset to the default setting.

* Procedure:

While depressing the SET UP, the LEVEL and the ENTER buttons simultaneously, press the power [I/⏻] button to turn on the main power. The message Factory Set appears and the present contents are reset to the default values.

ALL CLEAR MODE

* All preset contents are cleared when this mode is activated. Use this mode before returning the product to clients upon completion of repair.

* Procedure:

While depressing the SET UP button simultaneously, press the power [I/⏻] button to turn on the main power. The machine enters the DEMO mode. DEMO mode: Wait a while, then the demonstration starts. If the power [I/⏻] button is pressed often the demonstration has started, the power is turned off, and the demonstration resumes if the power [I/⏻] button is pressed again. ALL CLEAR mode: If the power [I/⏻] button is pressed often the machine enters the DEMO mode, but before the demonstration starts, the display is turned off. Press [I/⏻] again. No response is returned. The press [I/⏻] again. The preset data is cleared and the machine enters the normal power-on state.

SOUND FIELD CLEAR MODE

* The preset sound field is cleared when this mode is activated. Use this mode before returning the product to clients upon completion of repair.

* Procedure:

While depressing the SOUND FIELD MODE button, press the power [I/⏻] button to turn on the main power. The message S.F Initialize appears and initialization is performed.

AM CHANNEL STEP 9 kHz/10 kHz SELECTION MODE (US, Canadian Model)

* Either the 9 kHz step or 10 kHz step can be selected for the AM channel step.

* Procedure:

Set the FUNCTION to AM. Turn off the main power. While depressing the TUNING+ button or the PRESET TUNING + button, press the power [I/⏻] button to turn on the main power. Either the message AM 9kHz Step or AM 10kHz Step appears. Select the desired step.

DSP TEST MODE

* It tests whether the DSP works correctly or not. When the DSP test is activated, the test data is output from the DSP (IC1401: CXD2712R) of the DIGITAL board and is written in the RAM (IC1402: IDT71V016S). When the test data is read from the RAM by the DSP, the data output must be equivalent to the original data. If they disagree, an error is triggered. Errors can be caused by the broken data line or defective soldering.

* Procedure

While pressing the SETUP, LEVEL and SUR buttons, press the POWER button to enter the DSP test mode. The message DSP TEST MODE appears. When an error occurs, the message DSP2 ERROR is displayed. When there is no error, the message DSP2 NO ERROR appears and the 1 kHz signal is output to all channels. Then, the mode can be switched the (SIGN WAVE) (THROUGH) and (INPULSE) mode.

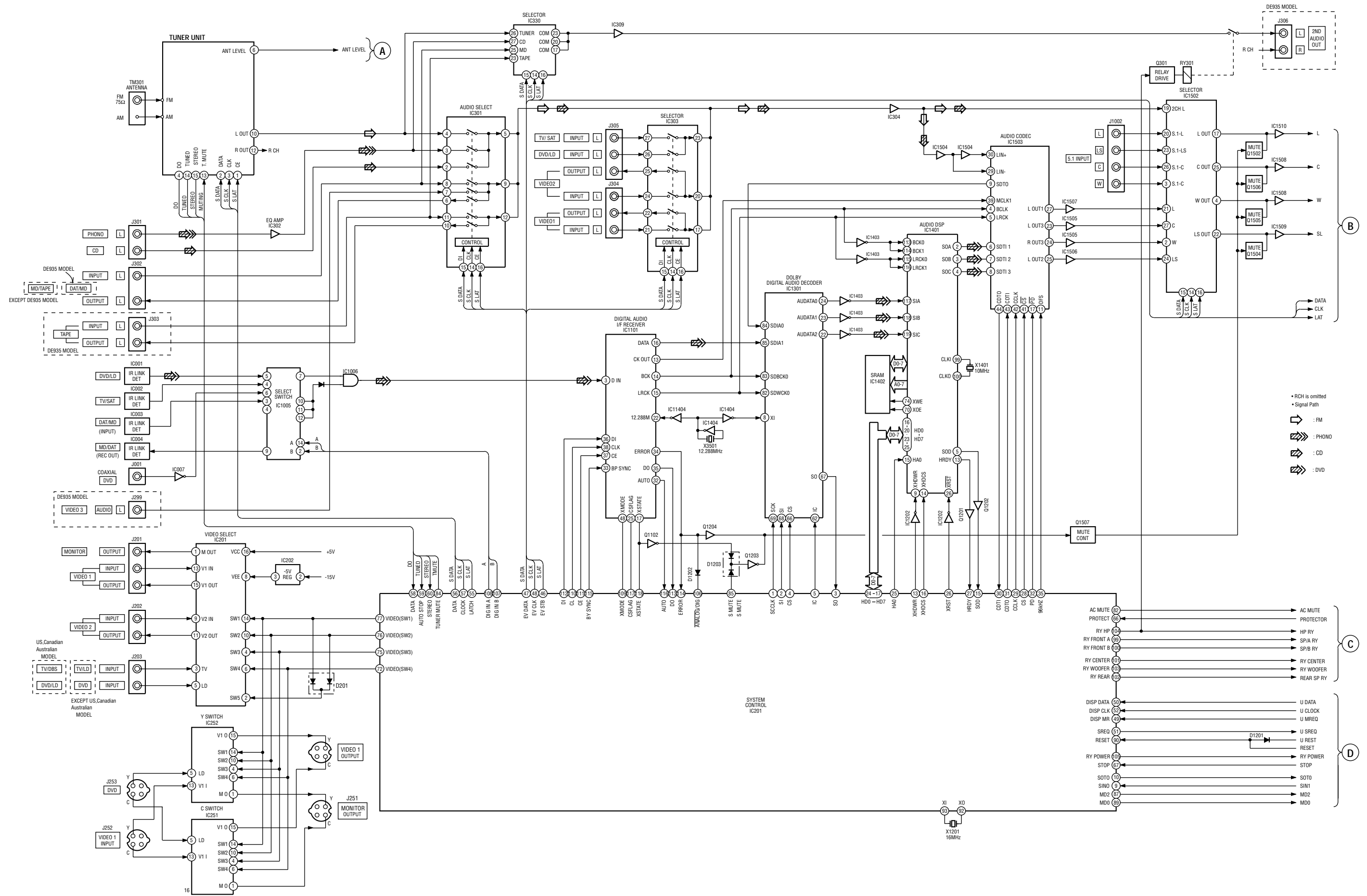
VERSION MODE

* When this mode is used, the microprocessor version number is displayed.

* Procedure:

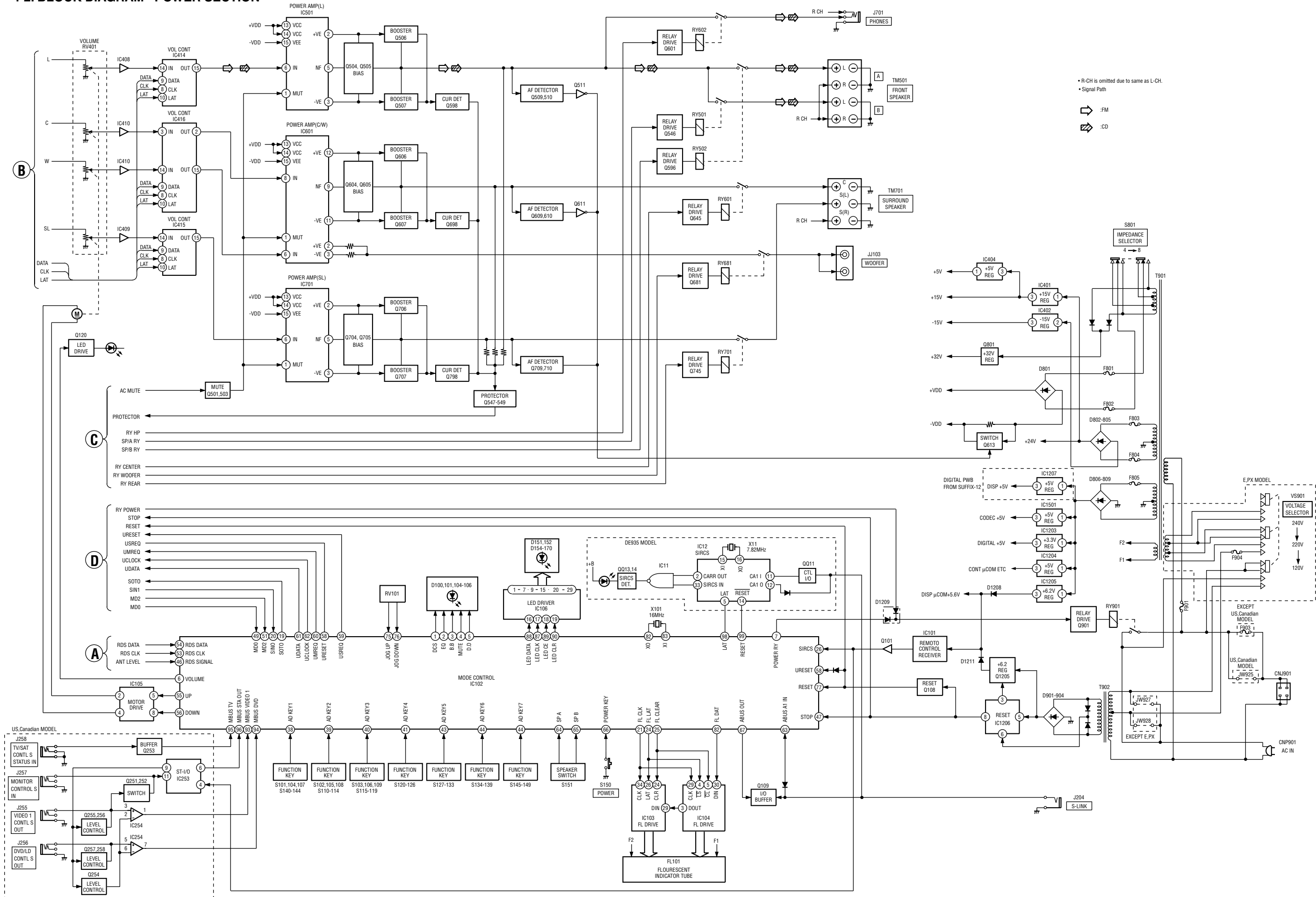
Press the POWER button while pressing the ENTER, LEVEL, and SUR buttons to turn on the power. The microprocessor version number appears as follows.

4-1. BLOCK DIAGRAM MAIN SECTION

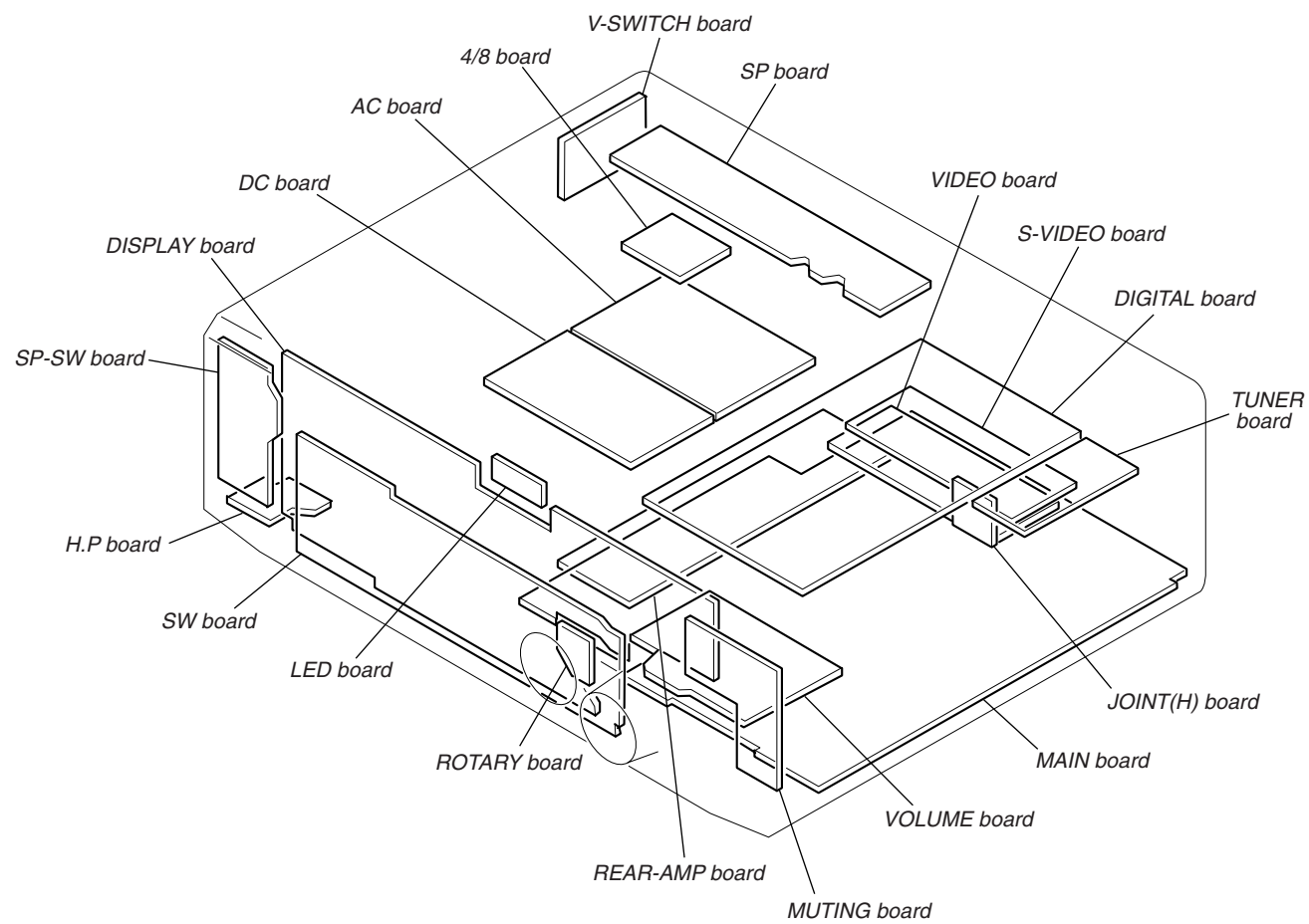


- RCH is omitted
- Signal Path
- ◻ : FM
- ◻ : PHONO
- ◻ : CD
- ◻ : DVD

4-2. BLOCK DIAGRAM POWER SECTION






4-3. CIRCUIT BOARD LOCATION



THIS NOTE IS COMMON FOR PRINTED WIRING BOARDS AND SCHEMATIC DIAGRAMS.
(In addition to this necessary note is printed in each block.)

For schematic diagrams.

Note:

- All capacitors are in μF unless otherwise noted. pF: μF 50 WV or less are not indicated except for electrolytics and tantalums.
- All resistors are in Ω and $1/4\text{W}$ or less unless otherwise specified.
- % : indicates tolerance.
-  : nonflammable resistor.
-  : fusible resistor.
-  : panel designation.








Note:

The components identified by mark Δ or dotted line with mark Δ are critical for safety. Replace only with part number specified.

Note:

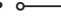


Les composants identifiés par une marque Δ sont critiques pour la sécurité. Ne les remplacer que par une pièce portant le numéro spécifié.

以阴影和 Δ 标志来识别的零部件，在安全方面具有关键性，因此只能以规定号码的零部件来更换。

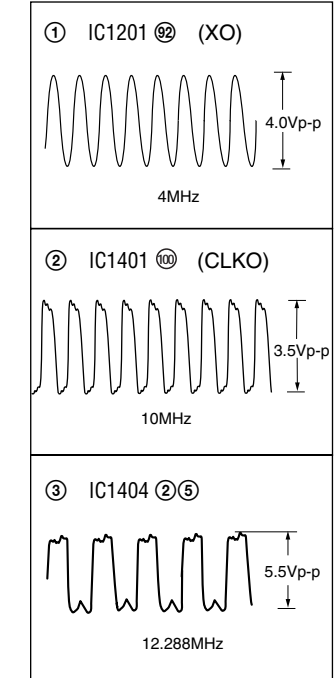
-  : B+ Line.
-  : B- Line.
-  : adjustment for repair.
- Voltages and waveforms are dc with respect to ground under no-signal (detuned) conditions. No mark : FM
- Voltages are taken with a VOM (Input impedance $10\text{M}\Omega$). Voltage variations may be noted due to normal production tolerances.
- Waveforms are taken with a oscilloscope.
- Circled numbers refer to waveforms.
- Signal path.
 -  : FM
 -  : CD
 -  : DIGITAL
 -  : PHONO
- Abbreviation
 - CND :Canadian model
 - AUS :Australian model
 - MY :Malaysia model
 - SP :Singapore model
 - CH :Chinese model

For printed wiring boards.

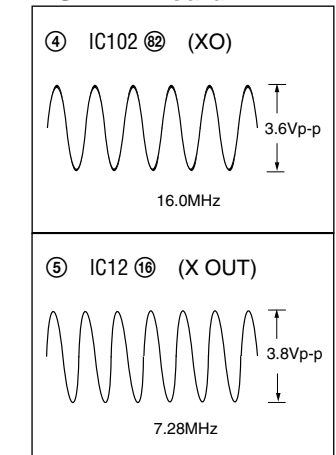
Note:

-  : parts extracted from the component side.
-  : Through hole.
-  : Pattern from the side which enables seeing.

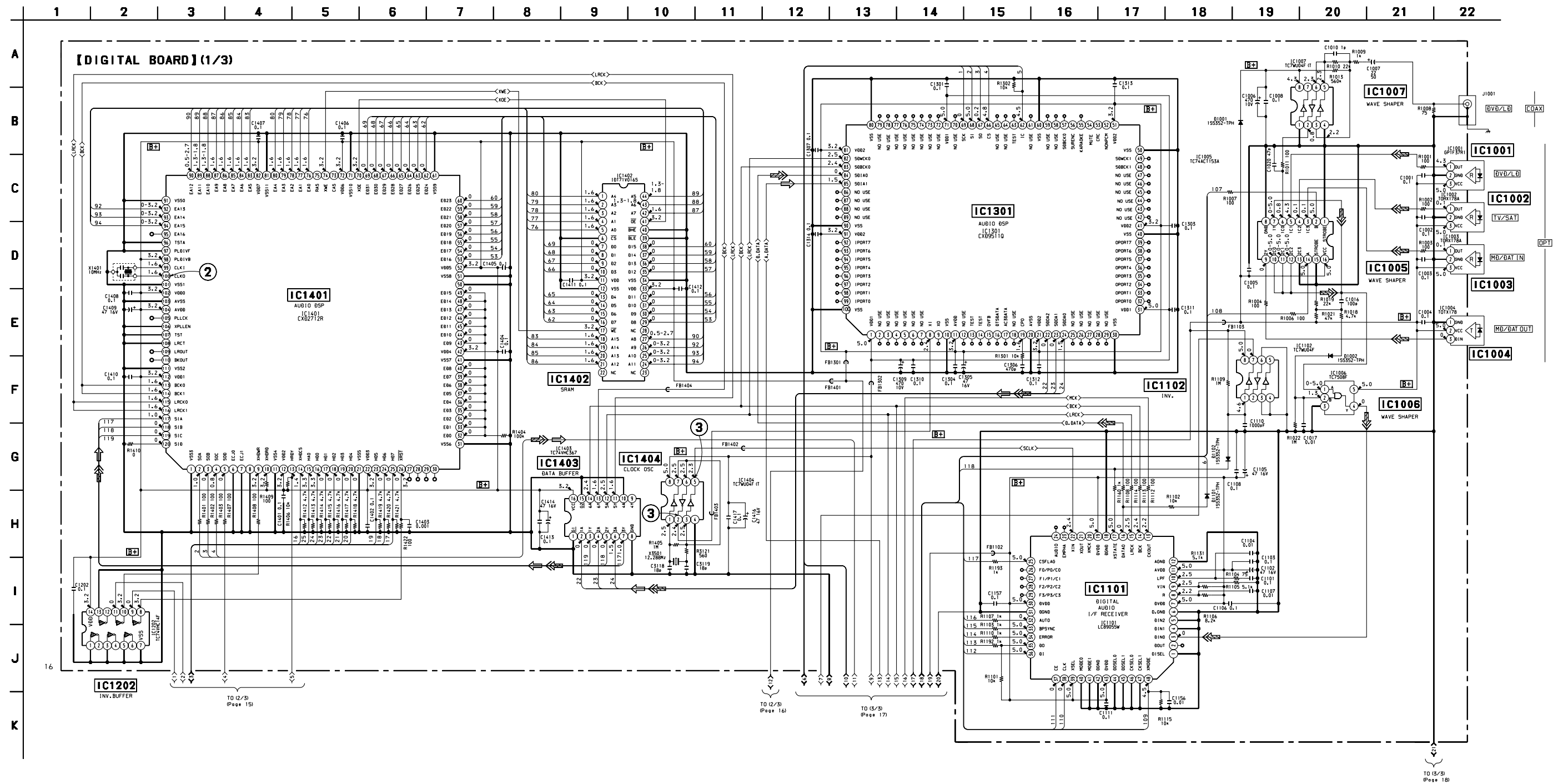
• Waveform DIGITAL Board



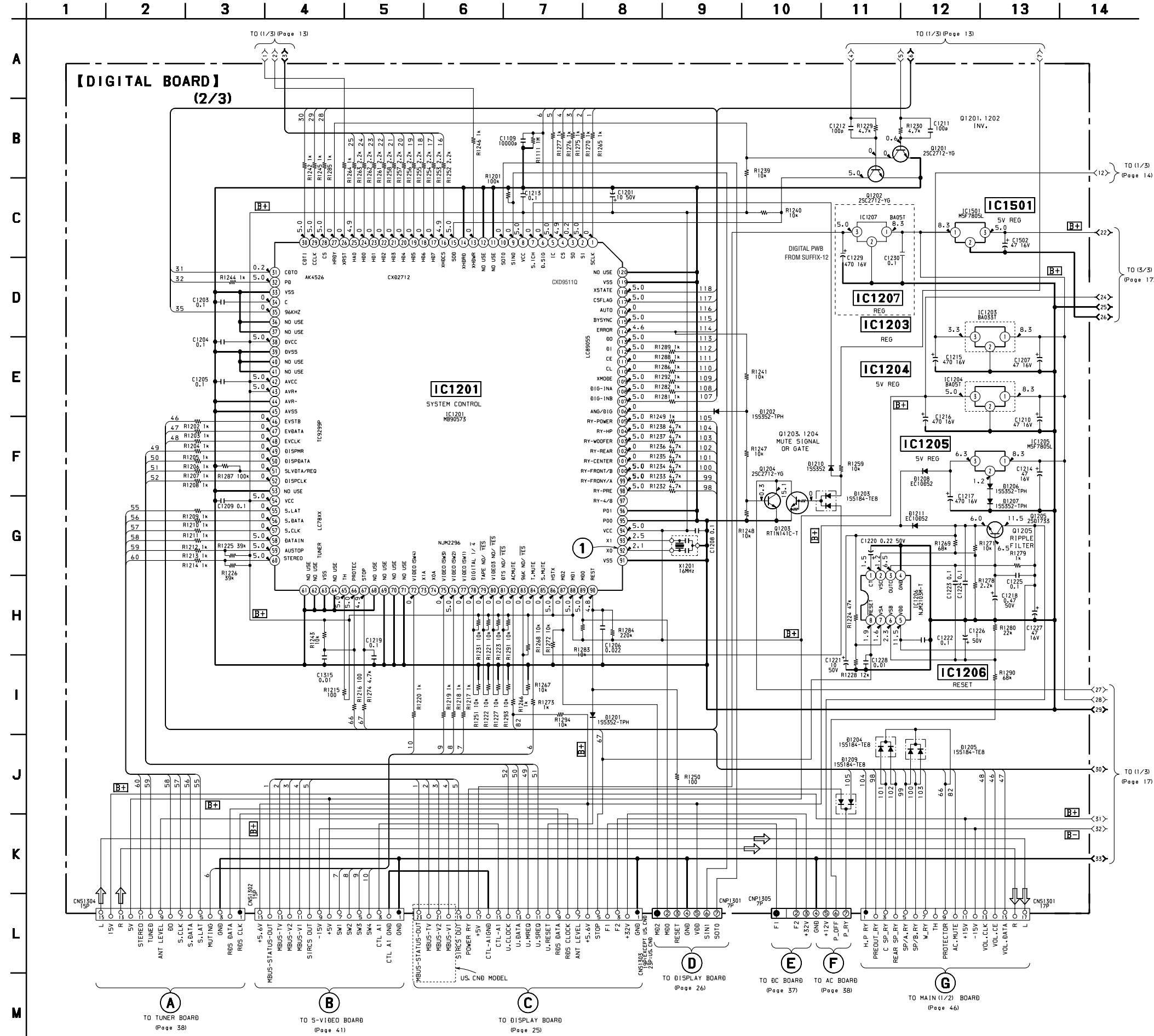
DISPLAY Board



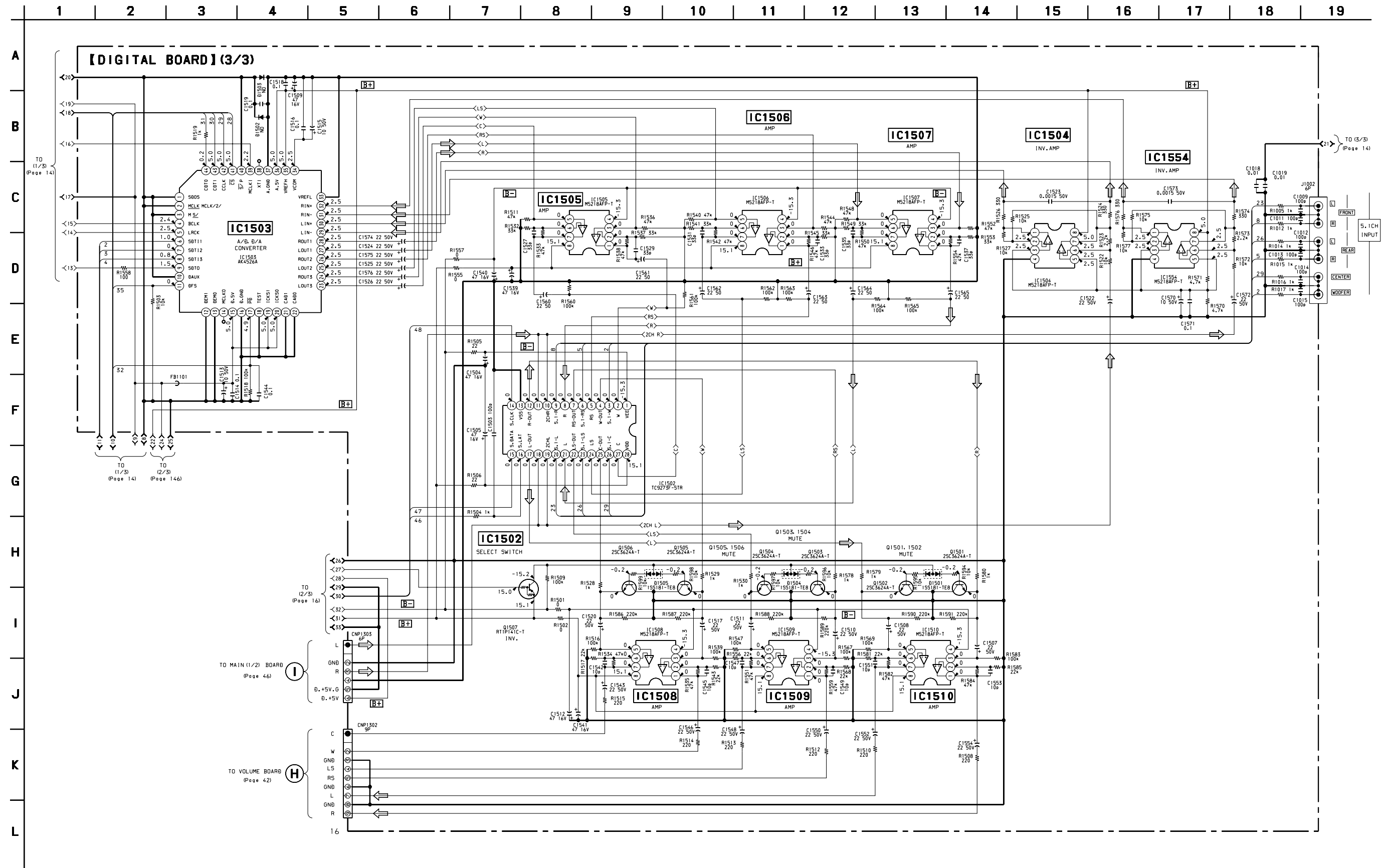
4-4. SCHEMATIC DIAGRAM DIGITAL SECTION(1/3) • See page 19 for Printed Wirig Board. • See page 12 for Waveforms. • See page 49 for IC Pin Functions. • See page 59 for IC Block Diagrams.



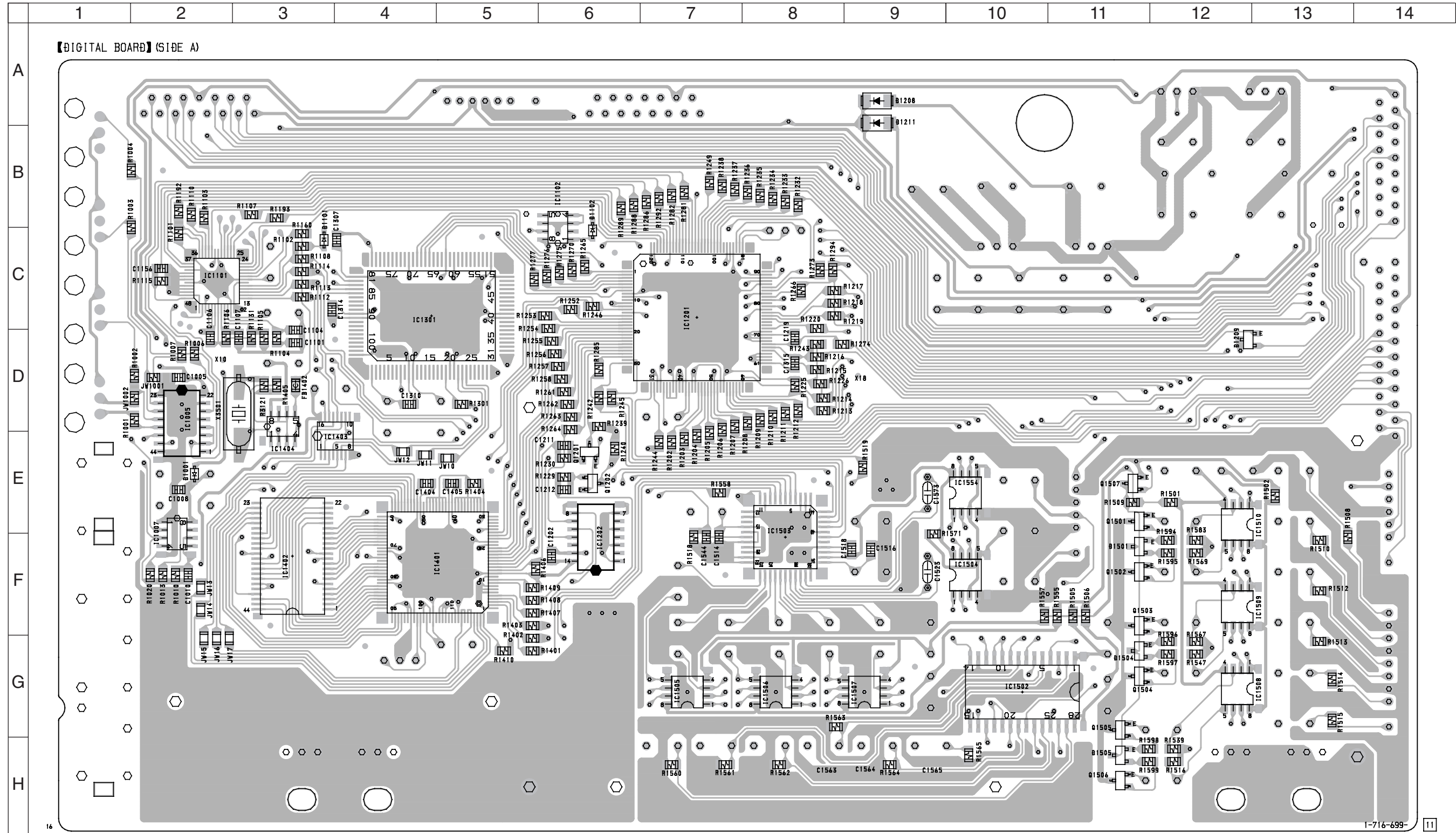
4-5. SCHEMATIC DIAGRAM DIGITAL SECTION(2/3) • See page 19 for printed wirig board. • See page 12 for Waveforms. • See page 51 for IC Pin Functions. • See page 59 for IC Block Diagrams.



4-6. SCHEMATIC DIAGRAM DIGITAL SECTION(3/3) • See page 19 for printed wiring board. • See page 54 for IC Pin Functions. • See page 59 for IC Block Diagrams.



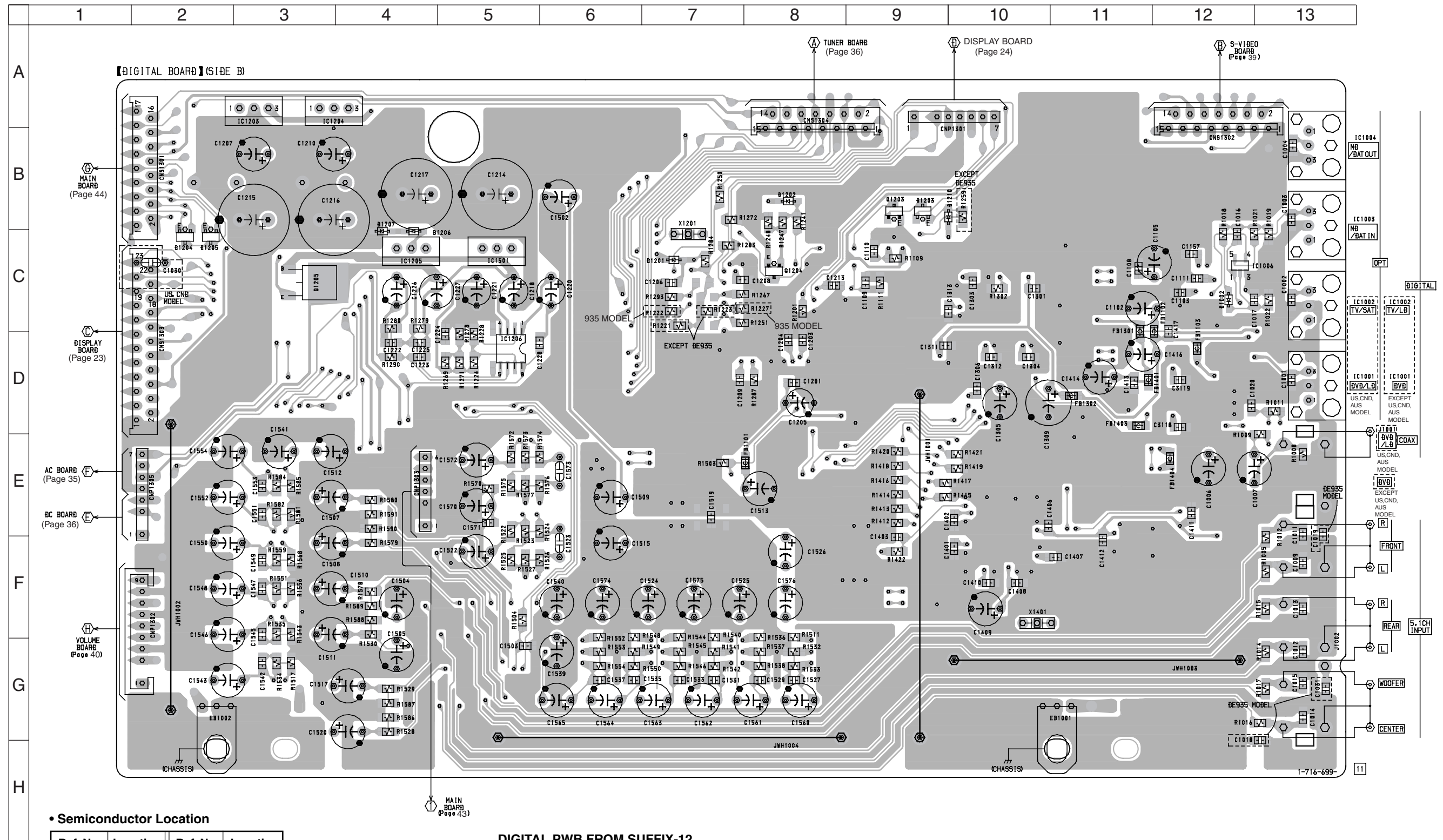
4-7. PRINTED WIRING BOARD DIGITAL SECTION(1/2) • See page 11 for circuit board location.



• Semiconductor Location

| Ref. No. | Location | Ref. No. | Location | Ref. No. | Location | Ref. No. | Location |
|----------|----------|----------|----------|----------|----------|----------|----------|
| D1001 | E-2 | IC1007 | E-2 | IC1503 | F-8 | Q1202 | E-6 |
| D1101 | C-3 | IC1101 | C-2 | IC1504 | F-10 | Q1501 | E-11 |
| D1102 | C-6 | IC1102 | C-6 | IC1505 | G-7 | Q1502 | F-11 |
| D1208 | A-9 | IC1201 | C-7 | IC1506 | G-8 | Q1503 | F-11 |
| D1209 | D-12 | IC1202 | F-6 | IC1507 | G-9 | Q1504 | G-11 |
| D1211 | A-9 | IC1301 | C-4 | IC1508 | G-12 | Q1505 | G-11 |
| D1501 | F-11 | IC1401 | F-5 | IC1509 | F-12 | Q1506 | H-11 |
| D1504 | G-11 | IC1402 | F-3 | IC1510 | E-12 | Q1507 | E-11 |
| D1505 | H-11 | IC1403 | E-3 | IC1554 | E-10 | | |
| | | IC1404 | D-3 | | | | |
| IC1005 | D-2 | IC1502 | G-10 | Q1201 | E-6 | | |

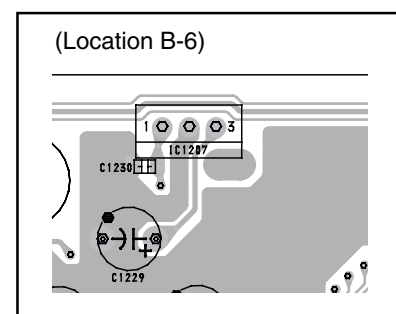
4-8. PRINTED WIRING BOARD DIGITAL SECTION(2/2) • See page 11 for circuit board location.



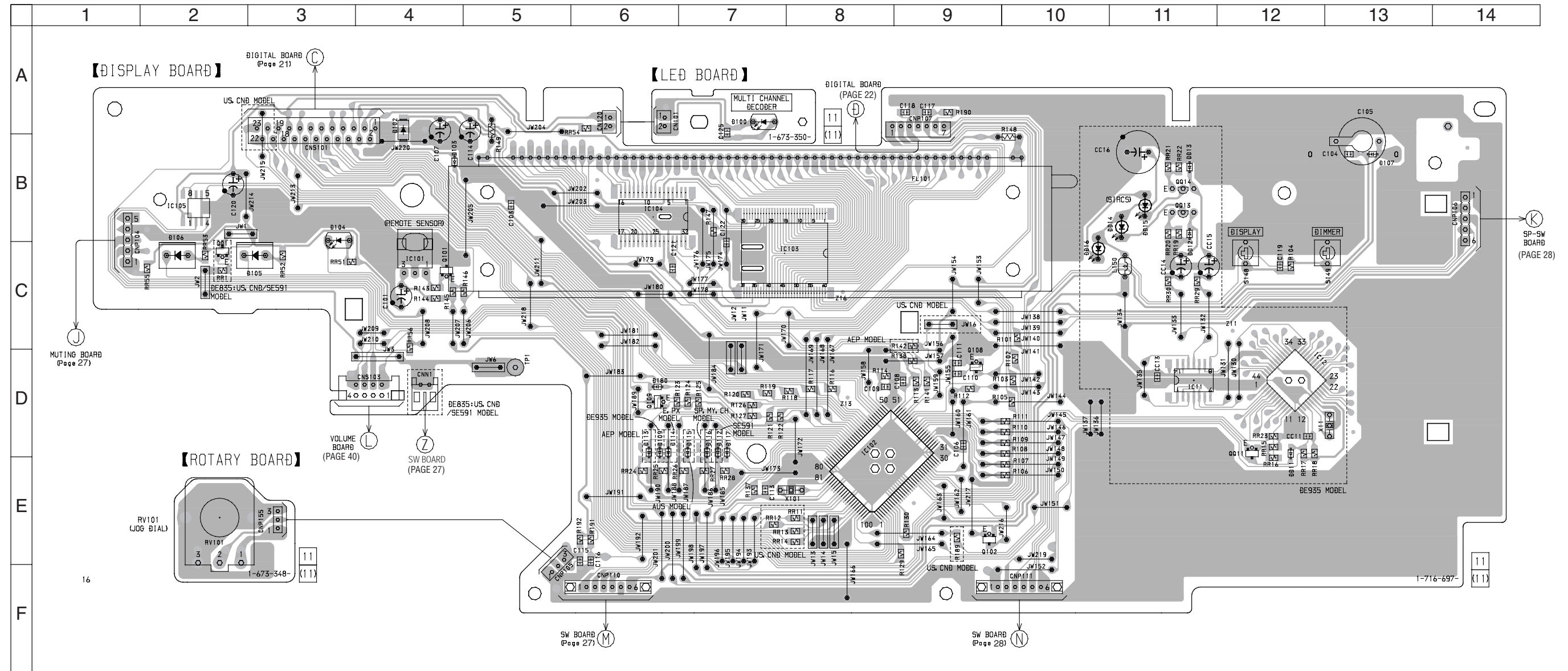
• Semiconductor Location

| Ref. No. | Location | Ref. No. | Location |
|----------|----------|----------|----------|
| D1002 | C-12 | IC1003 | B-13 |
| D1201 | C-7 | IC1004 | B-13 |
| D1202 | B-8 | IC1006 | C-12 |
| D1203 | B-9 | IC1203 | A-3 |
| D1204 | C-2 | IC1204 | A-3 |
| D1205 | C-2 | IC1205 | C-4 |
| D1206 | C-4 | IC1206 | D-5 |
| D1207 | C-4 | IC1501 | C-5 |
| D1210 | B-10 | | |
| IC1001 | D-13 | Q1203 | B-9 |
| IC1002 | C-13 | Q1204 | C-8 |
| | | Q1205 | C-3 |

DIGITAL PWB FROM SUFFIX-12



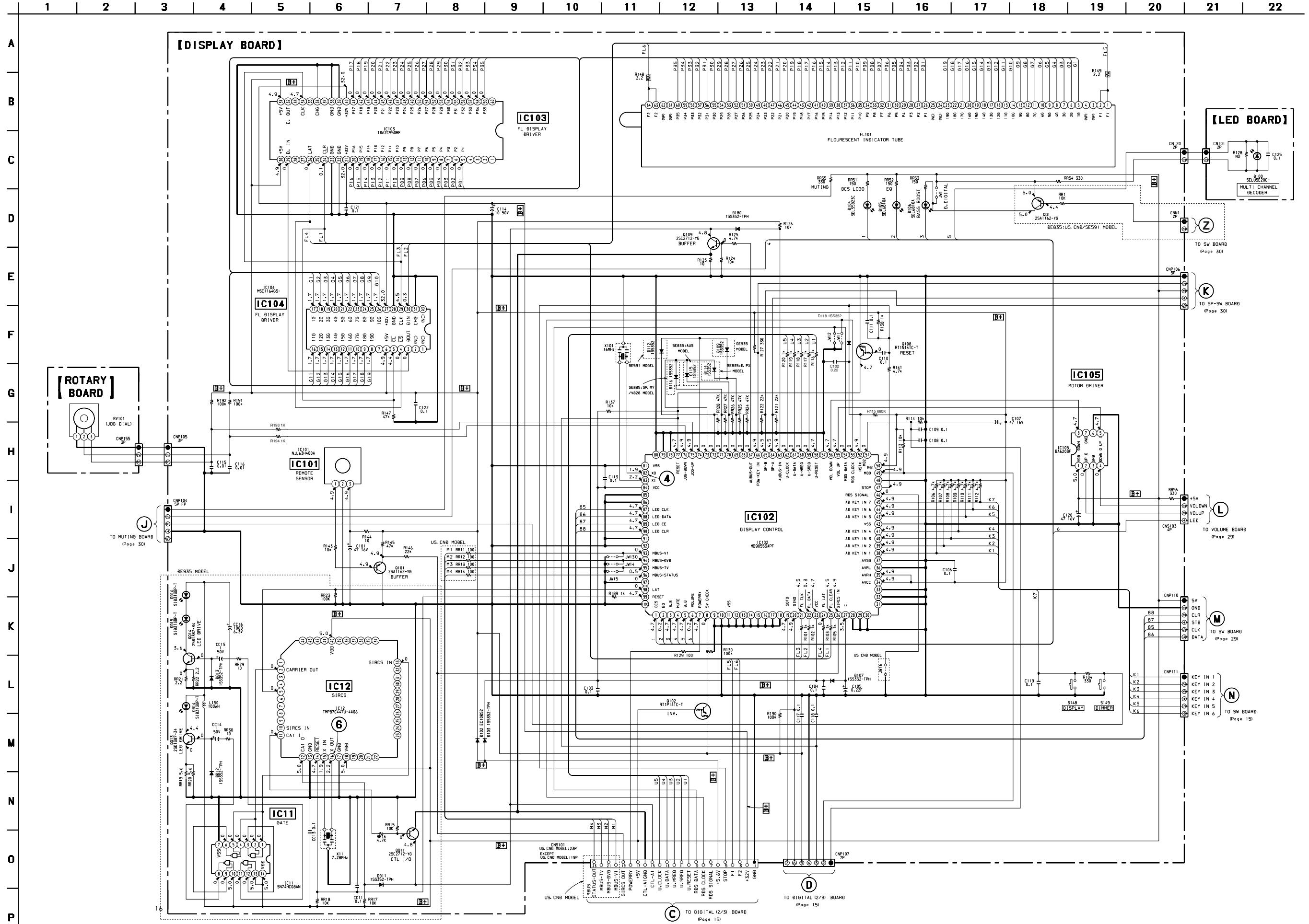
4-9. PRINTED WIRING BOARD DISPLAY SECTION • See page 11 for circuit board location.



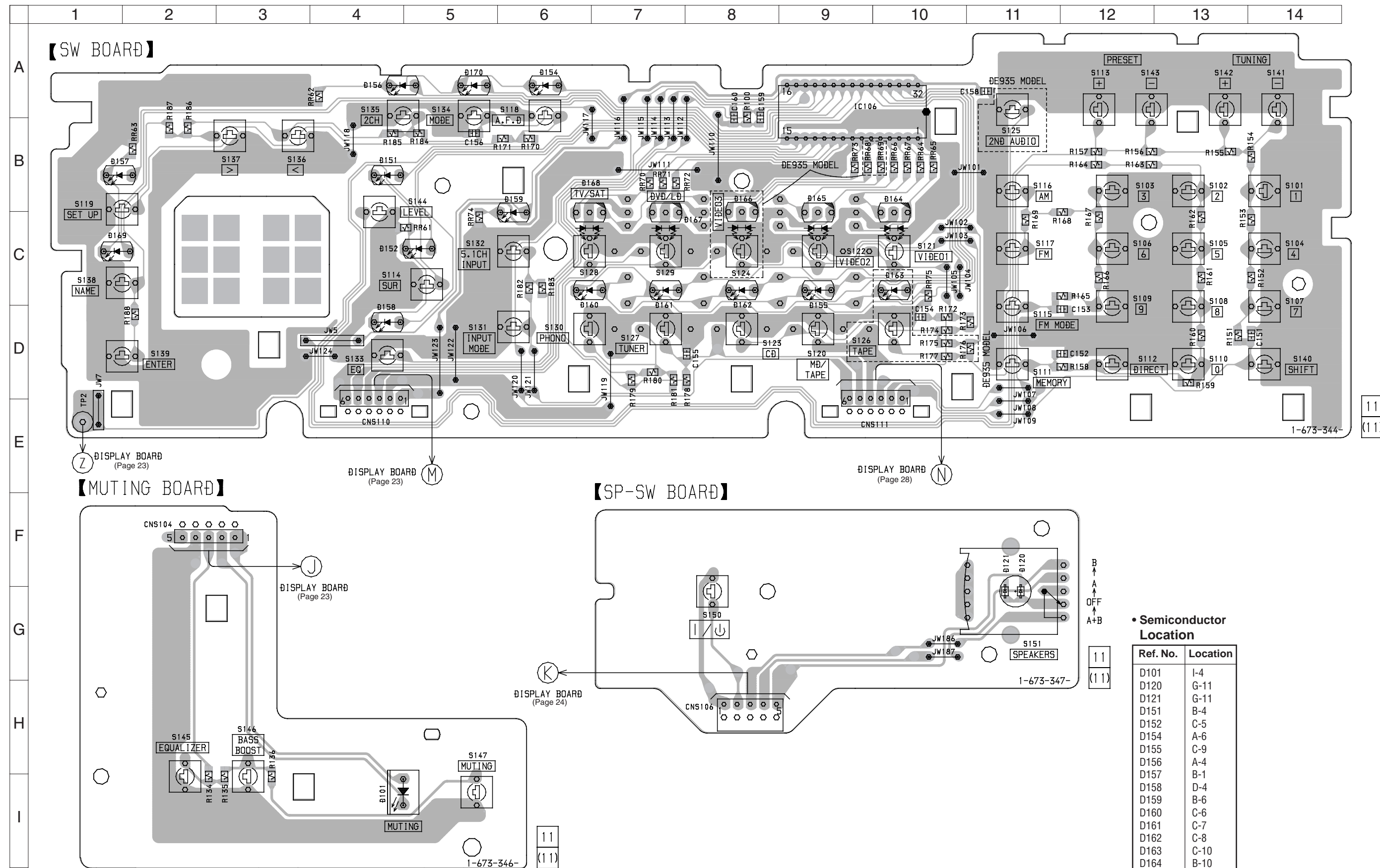
• Semiconductor Location

| Ref. No. | Location | Ref. No. | Location |
|----------|----------|----------|----------|
| D102 | A-4 | IC11 | D-11 |
| D103 | B-4 | IC12 | D-12 |
| D104 | B-3 | IC101 | C-4 |
| D105 | C-3 | IC102 | E-8 |
| D106 | C-2 | IC103 | C-7 |
| D107 | B-13 | IC104 | B-6 |
| D109 | D-6 | IC105 | B-2 |
| D112 | D-7 | | |
| D113 | D-6 | Q101 | C-4 |
| D114 | D-6 | Q102 | E-9 |
| D115 | D-7 | Q108 | D-9 |
| D116 | D-7 | Q109 | D-6 |
| D180 | D-6 | QQ1 | C-2 |
| DD11 | D-12 | QQ11 | D-12 |
| DD12 | B-11 | QQ13 | B-11 |
| DD14 | B-11 | QQ14 | B-11 |
| DD15 | B-11 | | |
| DD16 | C-10 | | |

4-10. SCHEMATIC DIAGRAM DISPLAY SECTION • See page 12 for Waveforms. • See page 56 for IC Pin Functions. • See page 61 for IC Block Diagrams.



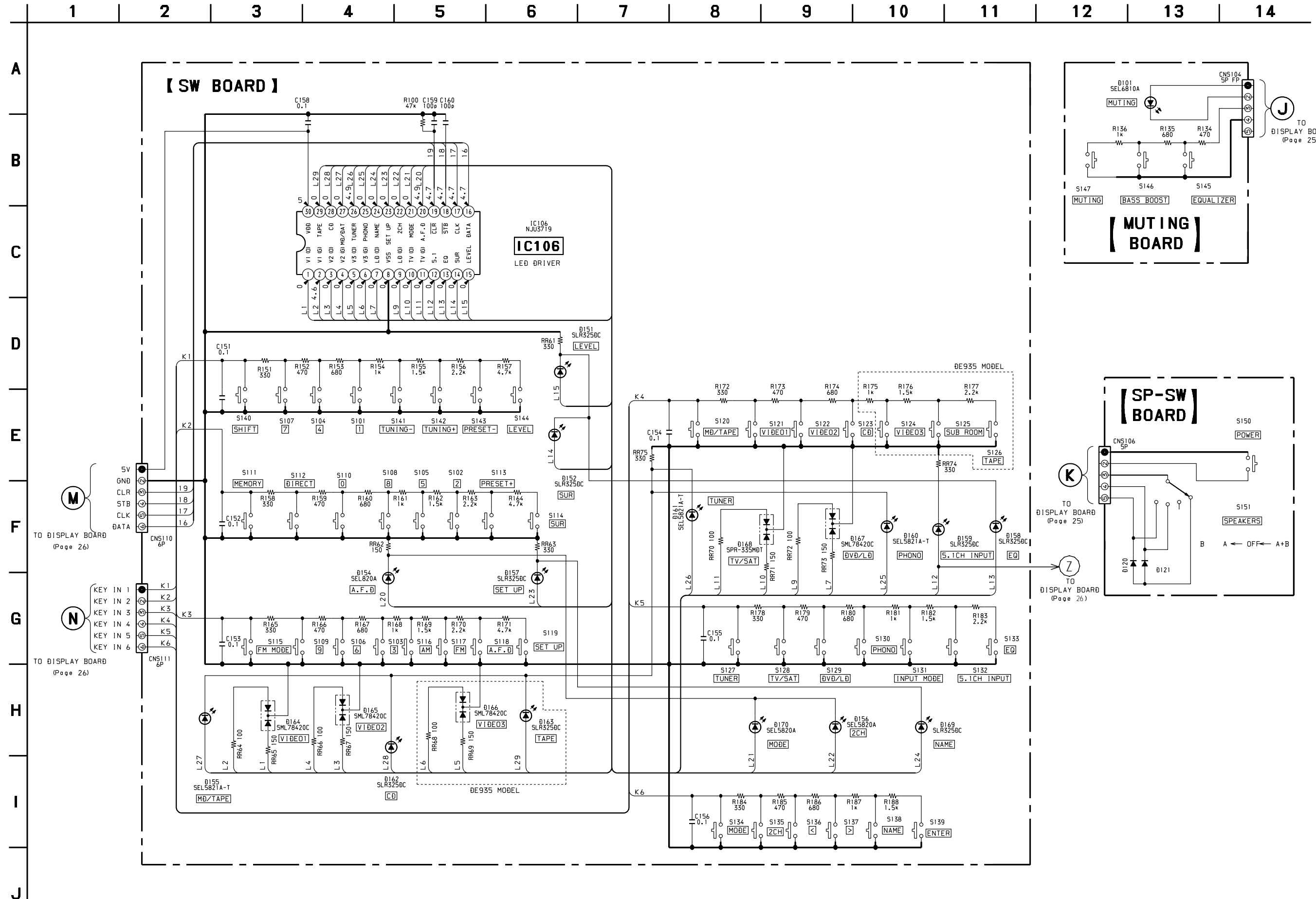
4-11. PRINTED WIRING BOARD SURROUND SECTION • See page 11 for circuit board location.



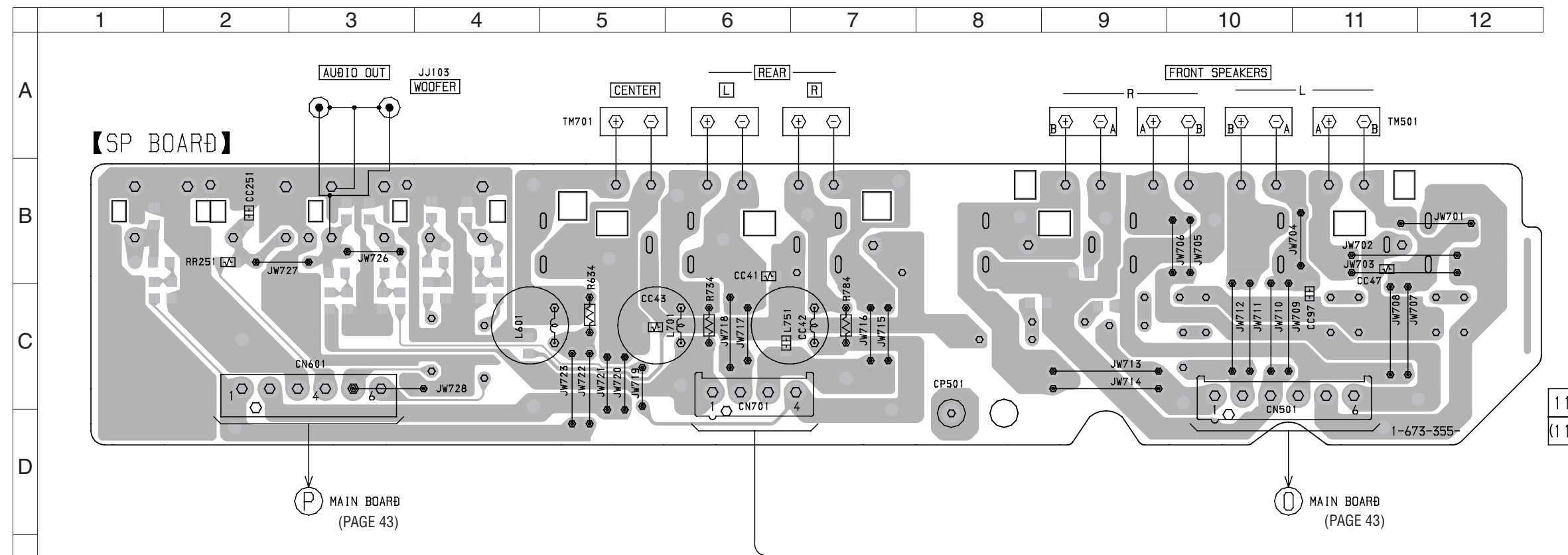
• Semiconductor Location

| Ref. No. | Location |
|----------|----------|
| D101 | I-4 |
| D120 | G-11 |
| D121 | G-11 |
| D151 | B-4 |
| D152 | C-5 |
| D154 | A-6 |
| D155 | C-9 |
| D156 | A-4 |
| D157 | B-1 |
| D158 | D-4 |
| D159 | B-6 |
| D160 | C-6 |
| D161 | C-7 |
| D162 | C-8 |
| D163 | C-10 |
| D164 | B-10 |
| D165 | B-9 |
| D166 | B-8 |
| D167 | B-7 |
| D168 | B-6 |
| D169 | C-1 |
| D170 | A-5 |

4-12. SCHEMATIC DIAGRAM SURROUND SECTION

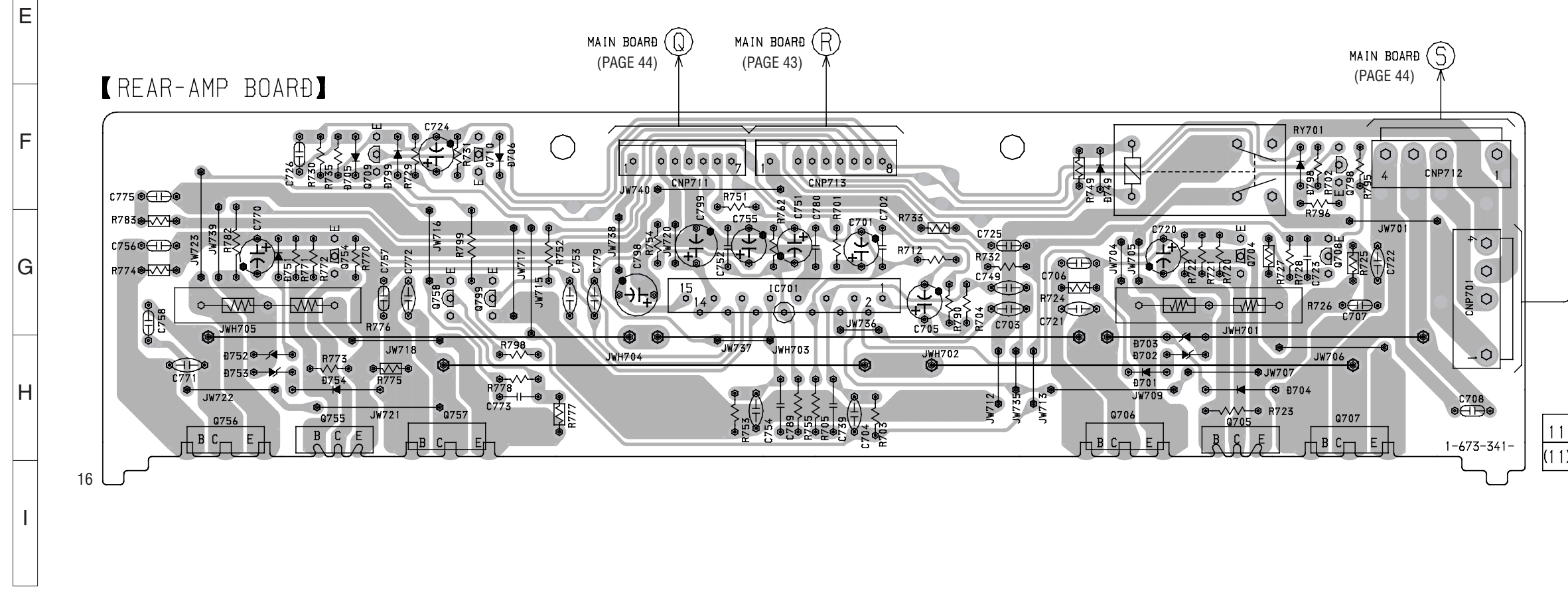


4-13. PRINTED WIRING BOARD REAR AMP SECTION • See page 11 for circuit board location.

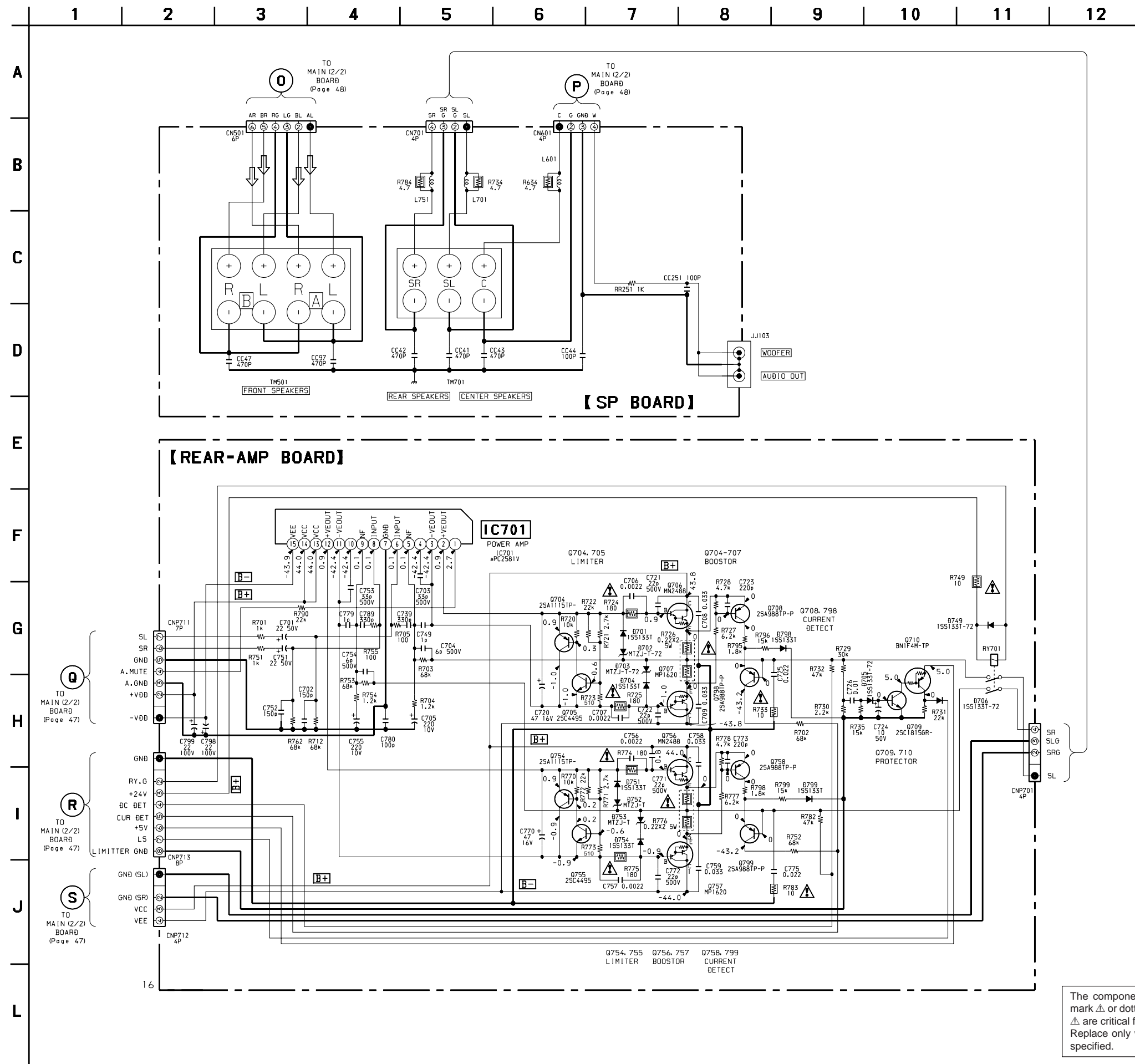


• Semiconductor Location

| Ref. No. | Location |
|----------|----------|
| D701 | H-9 |
| D702 | H-10 |
| D703 | H-10 |
| D704 | H-10 |
| D705 | F-3 |
| D706 | F-4 |
| D749 | F-9 |
| D751 | G-2 |
| D752 | H-2 |
| D753 | H-2 |
| D754 | H-3 |
| D798 | F-11 |
| D799 | F-3 |
| IC701 | G-6 |
| Q704 | G-10 |
| Q705 | H-10 |
| Q706 | H-9 |
| Q707 | H-11 |
| Q708 | G-11 |
| Q709 | F-3 |
| Q710 | F-4 |
| Q754 | G-3 |
| Q755 | H-3 |
| Q756 | H-2 |
| Q757 | H-4 |
| Q758 | G-4 |
| Q798 | F-11 |
| Q799 | G-4 |

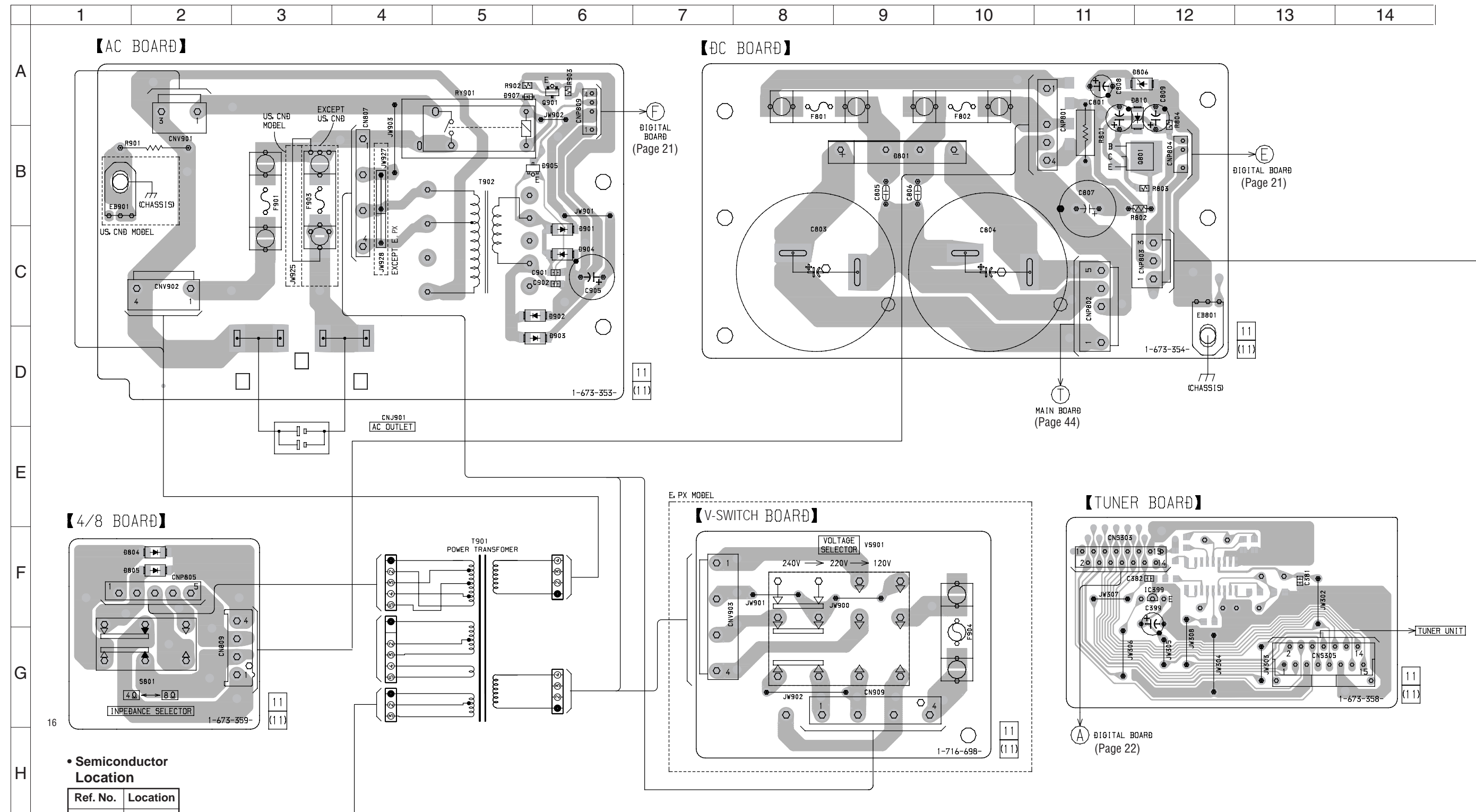


4-14. SCHEMATIC DIAGRAM REAR AMP SECTION • See page 58 for IC Block Diagrams.



| | | |
|-----------------------------------------------------------------------------------------------------------------------------------------|---------------------------------------------------------------------------------------------------------------------------------------------------|------------------------------------------------------|
| <p>The components identified by mark ▲ or dotted line with mark ⋯ are critical for safety. Replace only with part number specified.</p> | <p>Les composants identifiés par une marque ▲ sont critiques pour la sécurité. Ne les remplacer que par une pièce portant le numéro spécifié.</p> | <p>以阴影和 ▲ 标志来识别的零部件，在安全方面具有关键性。因此只能以规定号码的零部件来更换。</p> |
|-----------------------------------------------------------------------------------------------------------------------------------------|---------------------------------------------------------------------------------------------------------------------------------------------------|------------------------------------------------------|

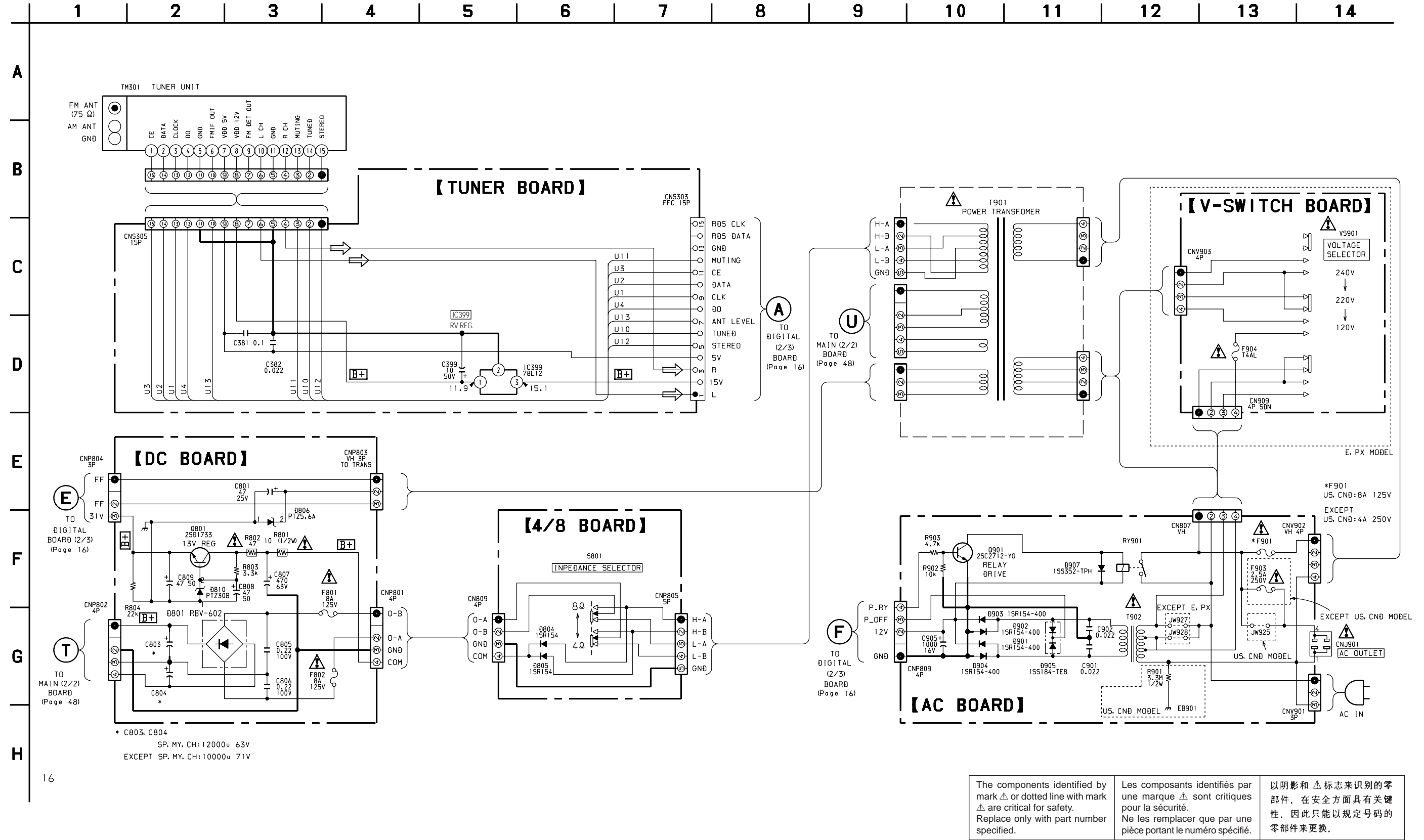
4-15. PRINTED WIRING BOARD POWER SECTION • See page 11 for circuit board location.



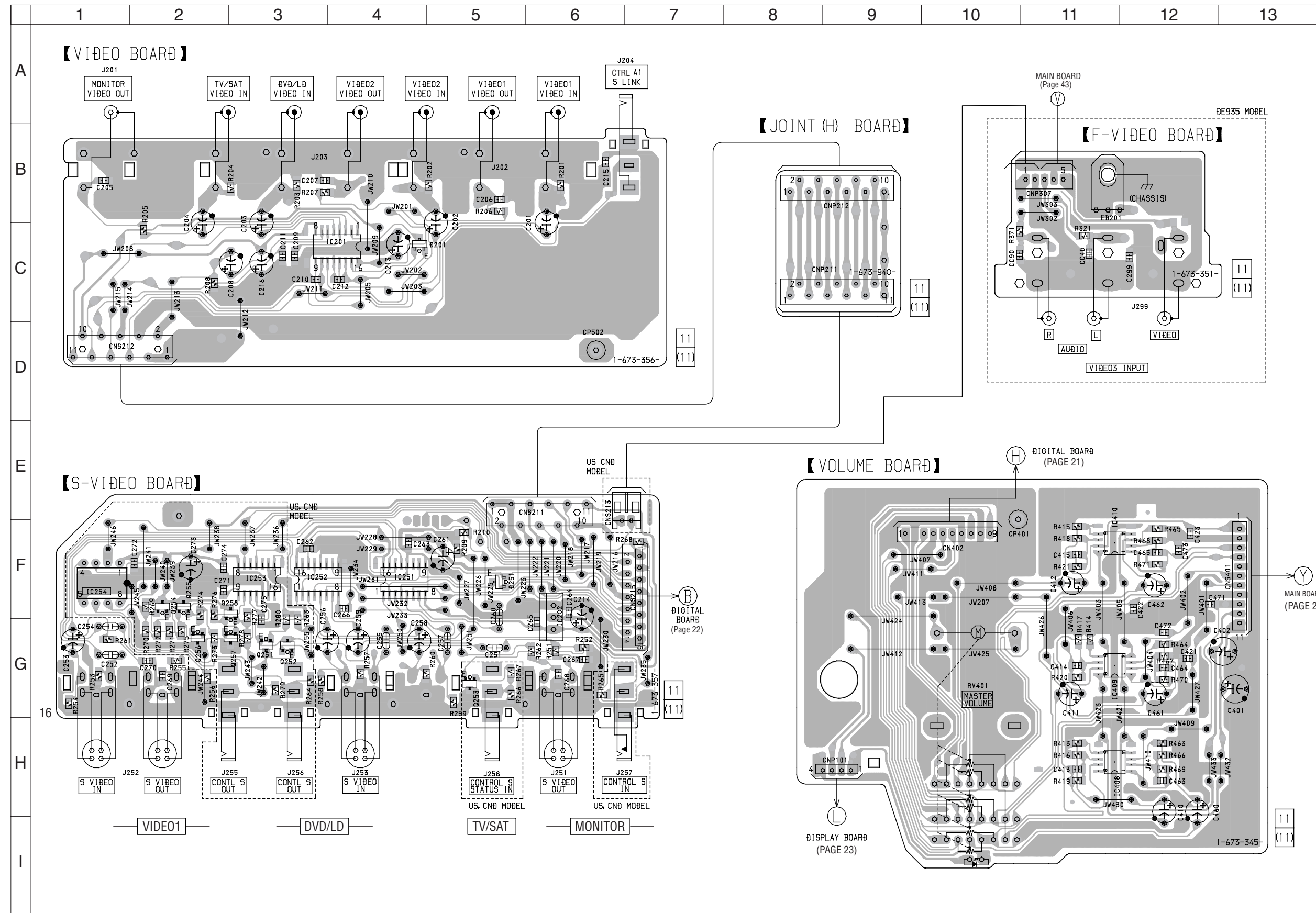
• Semiconductor Location

| Ref. No. | Location |
|----------|----------|
| D801 | B-9 |
| D804 | F-2 |
| D805 | F-2 |
| D806 | A-12 |
| D810 | B-12 |
| D901 | C-6 |
| D902 | C-6 |
| D903 | D-6 |
| D904 | C-6 |
| D905 | B-6 |
| D907 | A-5 |
| IC399 | F-12 |
| Q801 | B-12 |
| Q901 | A-5 |

4-16. SCHEMATIC DIAGRAM TUNER/POWER SECTION



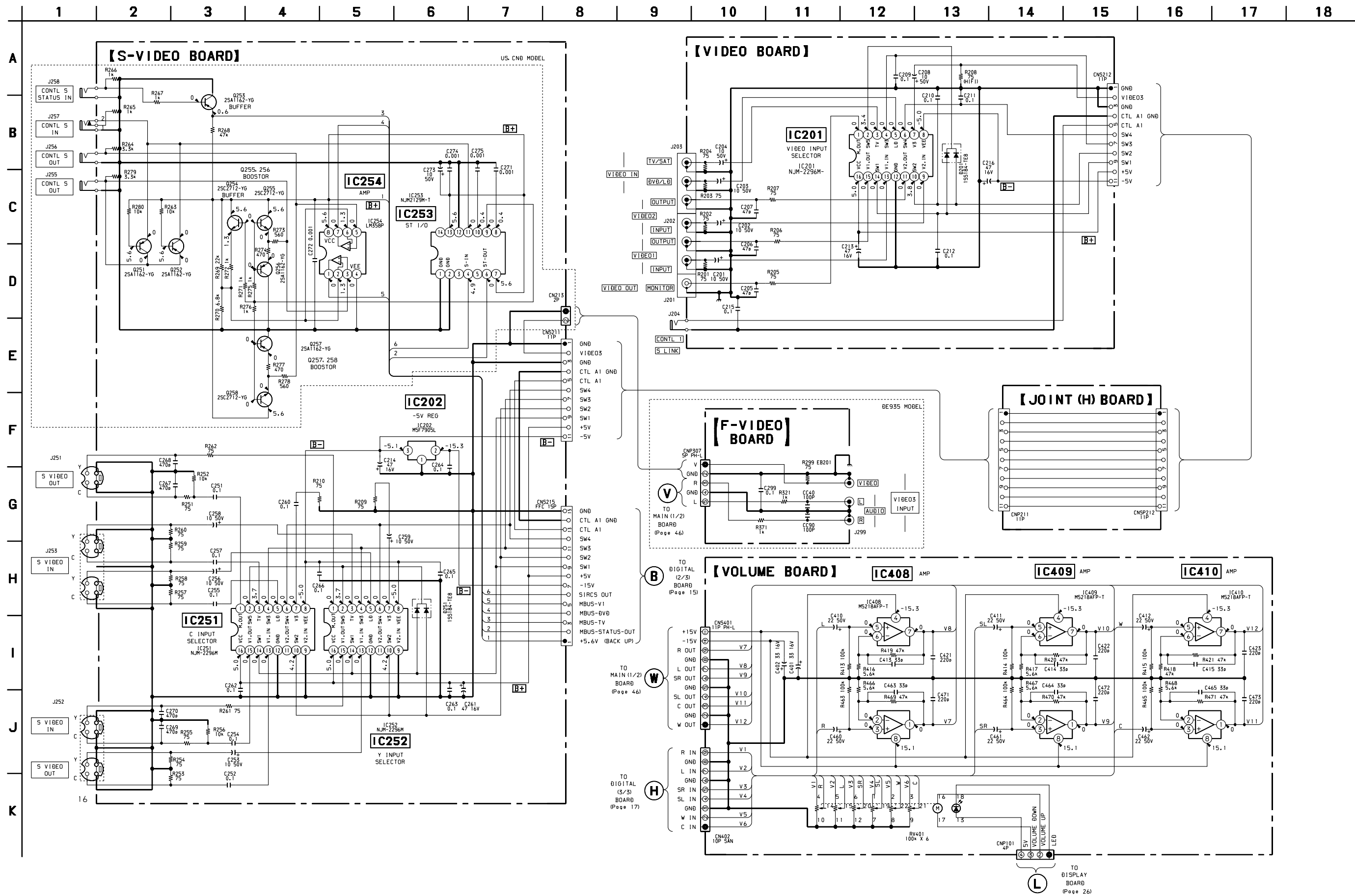
4-17. PRINTED WIRING BOARD VIDEO SECTION • See page 11 for circuit board location.



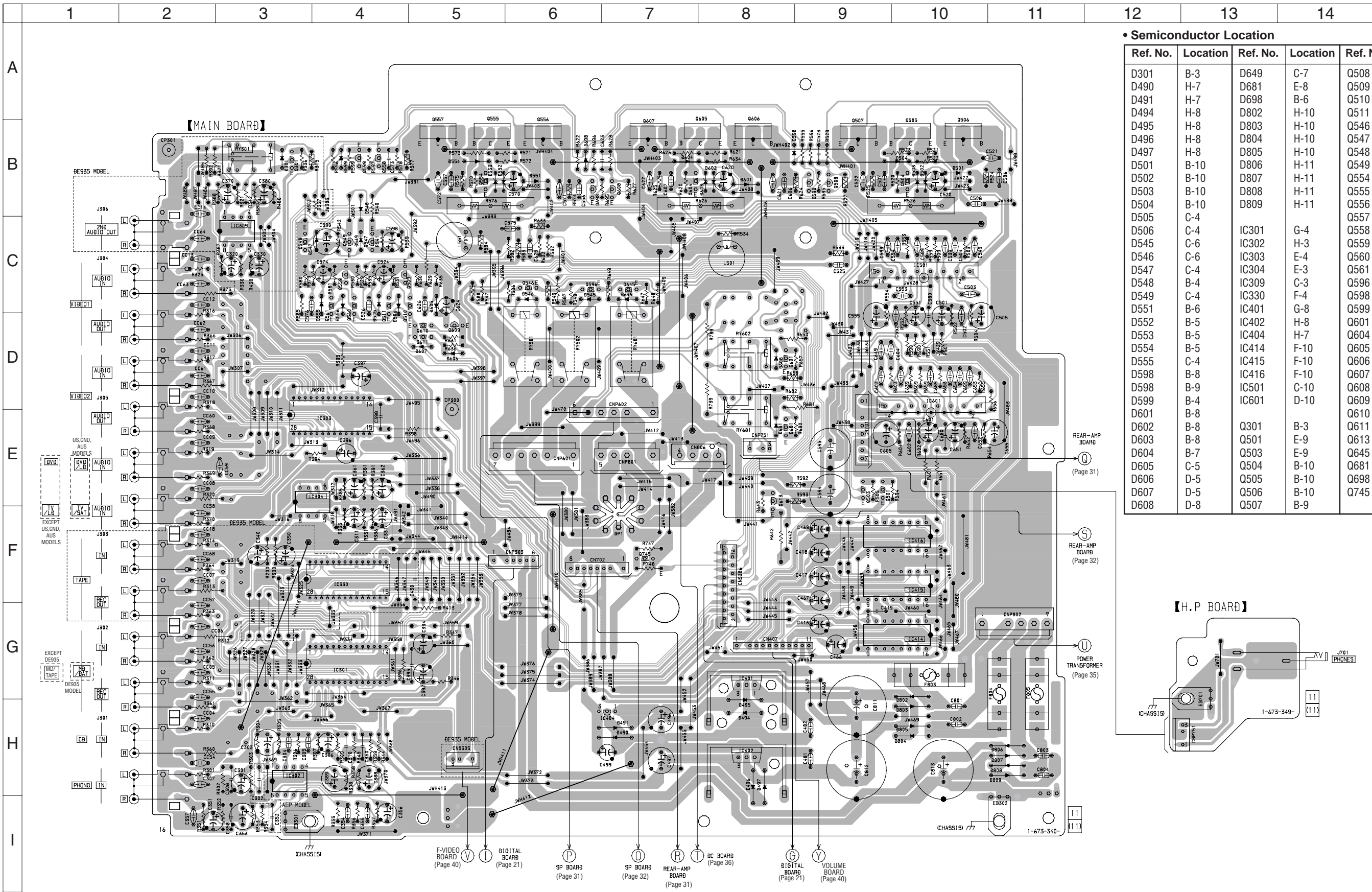
• Semiconductor Location

| Ref. No. | Location |
|----------|----------|
| D201 | C-4 |
| D251 | F-5 |
| IC201 | C-4 |
| IC202 | F-6 |
| IC251 | F-4 |
| IC252 | F-3 |
| IC253 | F-3 |
| IC254 | F-1 |
| IC408 | H-11 |
| IC409 | G-11 |
| IC410 | F-11 |
| Q251 | G-3 |
| Q252 | G-3 |
| Q253 | G-5 |
| Q254 | F-2 |
| Q255 | F-2 |
| Q256 | G-2 |
| Q257 | G-3 |
| Q258 | F-3 |

4-18. SCHEMATIC DIAGRAM VIDEO SECTION • See page 60 for IC Block Diagrams.

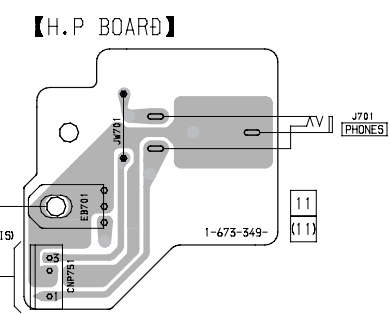


4-19. PRINTED WIRING BOARD MAIN SECTION • See page 11 for circuit board location.

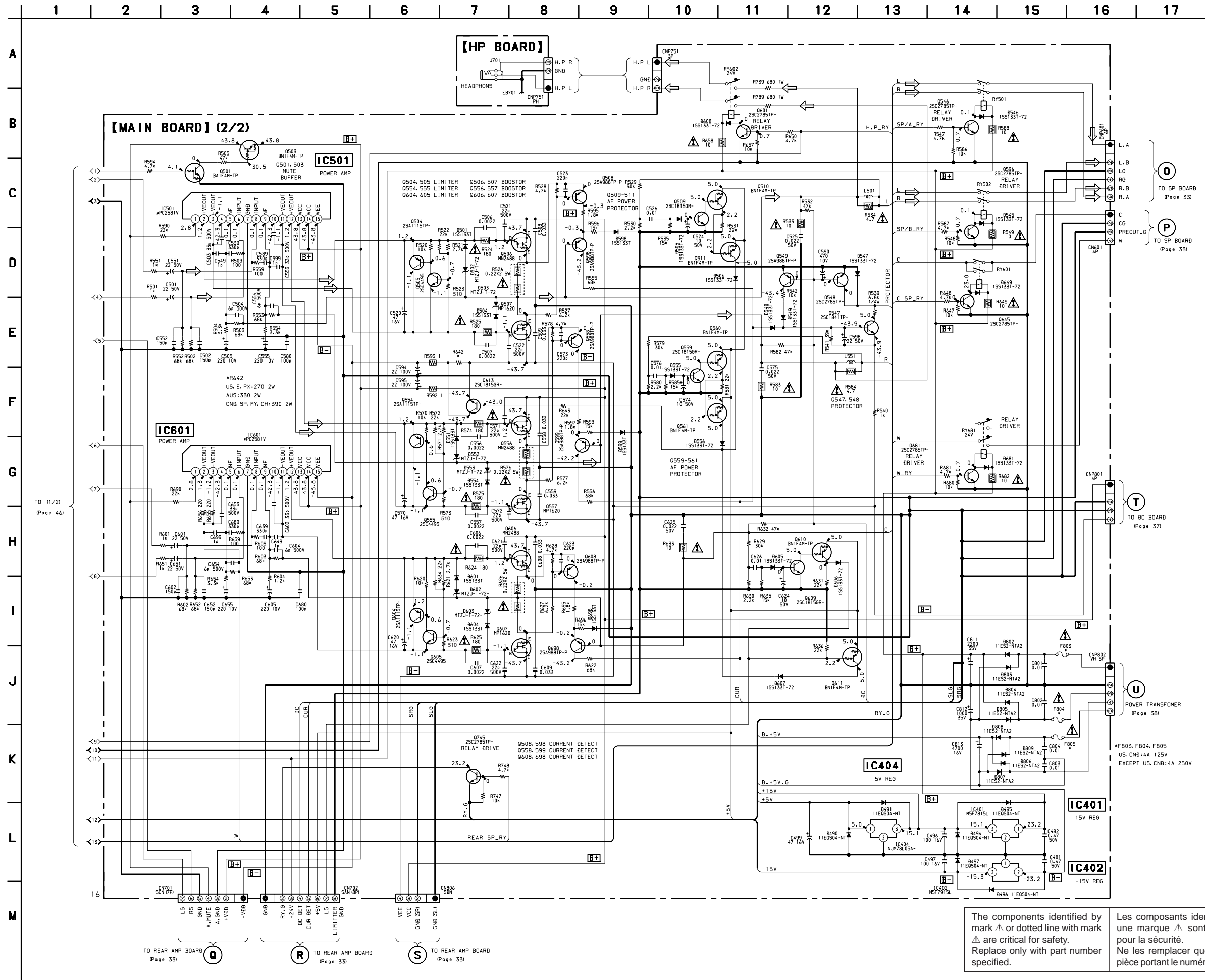


• Semiconductor Location

| Ref. No. | Location | Ref. No. | Location | Ref. No. | Location |
|----------|----------|----------|----------|----------|----------|
| D301 | B-3 | D649 | C-7 | Q508 | B-9 |
| D490 | H-7 | D681 | E-8 | Q509 | C-4 |
| D491 | H-7 | D698 | B-6 | Q510 | C-5 |
| D494 | H-8 | D802 | H-10 | Q511 | C-4 |
| D495 | H-8 | D803 | H-10 | Q546 | C-6 |
| D496 | H-8 | D804 | H-10 | Q547 | C-4 |
| D497 | H-8 | D805 | H-10 | Q548 | C-3 |
| D501 | B-10 | D806 | H-11 | Q549 | C-4 |
| D502 | B-10 | D807 | H-11 | Q554 | B-5 |
| D503 | B-10 | D808 | H-11 | Q555 | B-5 |
| D504 | B-10 | D809 | H-11 | Q556 | C-6 |
| D505 | C-4 | | | Q557 | B-5 |
| D506 | C-4 | IC301 | G-4 | Q558 | C-4 |
| D545 | C-6 | IC302 | H-3 | Q559 | B-4 |
| D546 | C-6 | IC303 | E-4 | Q560 | C-4 |
| D547 | C-4 | IC304 | E-3 | Q561 | C-4 |
| D548 | B-4 | IC309 | C-3 | Q596 | C-6 |
| D549 | C-4 | IC330 | F-4 | Q598 | B-9 |
| D551 | B-6 | IC401 | G-8 | Q599 | B-4 |
| D552 | B-5 | IC402 | H-8 | Q601 | D-8 |
| D553 | B-5 | IC404 | H-7 | Q604 | B-7 |
| D554 | B-5 | IC414 | F-10 | Q605 | B-8 |
| D555 | C-4 | IC415 | F-10 | Q606 | B-8 |
| D598 | B-8 | IC416 | F-10 | Q607 | B-7 |
| D598 | B-9 | IC501 | C-10 | Q608 | B-7 |
| D599 | B-4 | IC601 | D-10 | Q609 | D-5 |
| D601 | B-8 | | | Q610 | D-5 |
| D602 | B-8 | Q301 | B-3 | Q611 | D-5 |
| D603 | B-8 | Q501 | E-9 | Q613 | E-8 |
| D604 | B-7 | Q503 | E-9 | Q645 | C-7 |
| D605 | C-5 | Q504 | B-10 | Q681 | E-8 |
| D606 | D-5 | Q505 | B-10 | Q698 | B-6 |
| D607 | D-5 | Q506 | B-10 | Q745 | F-7 |
| D608 | D-8 | Q507 | B-9 | | |



4-21. SCHEMATIC DIAGRAM MAIN SECTION(2/2) • See page 43 for printed wiring board. • See page 60 for IC Block Diagrams.



The components identified by mark Δ or dotted line with mark Δ are critical for safety. Replace only with part number specified.

Les composants identifiés par une marque Δ sont critiques pour la sécurité. Ne les remplacer que par une pièce portant le numéro spécifié.

以阴影和 Δ 标志来识别的零部件，在安全方面具有关键性。因此只能以规定号码的零部件来更换。

4-22. IC PIN FUNCTION DESCRIPTION

IC1401 CXD2712R AUDIO DSP(DIGITAL BOARD)

| Pin No. | Pin Name | I/O | Description |
|---------|-------------|-----|---------------------------------------------------------------|
| 1 | VSS3 | — | Ground |
| 2 – 5 | SOA – SOD | O | Serial data output |
| 6, 7 | ECJ0, ECJ1 | I | Conditional jump input terminal (7pin Connected to ground) |
| 8 | — | NC | No connection |
| 9 | XHDWR | I | HCIF data write |
| 10 | XHDRD | I | HCIF data read |
| 11 | Vss4 | — | Ground |
| 12 | VDD2 | — | +3.3V |
| 13 | HRDY | O | HCIF ready signal Open drain |
| 14 | XHDCS | I | HCIF chip select |
| 15 | HA0 | I | HCIF address input |
| 16 – 20 | HD0 – HD4 | I/O | HCIF data input/output |
| 21 | Vss5 | — | Ground |
| 22 | VDD3 | — | +3.3V |
| 23 – 25 | HD5 – HD7 | I/O | HCIF data input/output |
| 26 | XRST | I | Reset input “L”: active |
| 27 – 30 | FGP0 – FGP3 | O | Test data output |
| 31 | Vss6 | — | Ground |
| 32 – 40 | ED0 – ED8 | I/O | External RAM data input/output |
| 41 | Vss7 | — | Ground |
| 42 | VDD4 | — | +3.3V |
| 43 – 49 | ED9 – ED15 | I/O | External RAM data input/output |
| 50 | TSTD | I | Test data input “L” = normal “H” = test (Connected to ground) |
| 51 | Vss8 | — | Ground |
| 52 | VDD5 | — | +3.3V |
| 53 – 60 | ED16 – ED23 | I/O | External RAM data input/output |
| 61 | Vss9 | — | Ground |
| 62 – 69 | ED24 – ED31 | I/O | External RAM data input/output |
| 70 | XOE | O | External RAM output enable |
| 71 | Vss10 | — | Ground |
| 72 | VDD6 | — | +3.3V |
| 73 | CAS | O | External RAM column address strobe (Not used) |
| 74 | XWE | O | External RAM write enable (Not used) |
| 75 | RAS | O | External RAM raw address strobe |
| 76 – 80 | EA0 – EA4 | I/O | External RAM address output/test data input |
| 81 | Vss11 | — | Ground |
| 82 | VDD7 | — | +3.3V |
| 83 – 89 | EA5 – EA11 | I/O | External RAM address output/test data input |
| 90 | EA12 | O | External RAM address output |

| Pin No. | Pin Name | I/O | Description |
|-----------|-------------|-----|------------------------------------------------------------------------------------------------|
| 91 | Vss0 | — | Ground |
| 92 – 94 | EA13 – EA15 | O | External RAM address output |
| 95 | EA16 | O | Not used |
| 96 | TSTA | I | Test data input “L” = normal “H” = test (Connecting to ground) |
| 97 | PLDIVF | I | PLL input frequency select “L” = 256Fs “H” = 128Fs (Connecting to ground) |
| 98 | PLDIVB | O | PLL output frequency select “L” = 768Fs “H” = 1024Fs (Connecting to ground) |
| 99 | CLKI | I | Master clock input |
| 100 | CLKO | O | Master clock output (Not used) |
| 101 | Vss1 | — | Ground |
| 102 | VDD0 | — | +3.3V |
| 103 | AVss | — | Ground for PLL cell |
| 104 | AVDD | — | VDD for PLL cell |
| 105 | PLLCK | I/O | PLL output/test clock input |
| 106 | XPLEN | I | PLL cell oscillation enable “L” oscillation enable “H” oscillation stop (Connecting to ground) |
| 107 | TST | I | Test data input “L” = normal “H” = test (Connecting to ground) |
| 108 | LRCT | I | Frequency counter input (Connecting to ground) |
| 109 | LROUT | O | LRCK0 divider output |
| 110 | BKOUT | O | BCK0 divider output |
| 111 | Vss2 | — | Ground |
| 112 | VDD1 | — | +3.3V |
| 113 | BCK0 | I | BCK input |
| 114 | BCK1 | I | BCK input |
| 115 | LRCK0 | I | LRCK input |
| 116 | LRCK1 | I | LRCK input |
| 117 – 120 | SIA – SID | I | Serial data input |

IC1201 MB90573PFV-G-190-BND SYSTEM CONTROL(DIGITAL BOARD)

| Pin No. | Pin Name | I/O | Description |
|---------|----------|-----|------------------------------------------------------------------------|
| 1 | SCLK | O | To CXD9511Q clock |
| 2 | SI | I | To CXD9511Q data input |
| 3 | SO | O | To CXD9511Q data output |
| 4 | CS | O | To CXD9511Q chip select |
| 5 | IC | O | To CXD9511Q reset(Pull Down near CXD9511Q) |
| 6 | D.SIG | I | ZERO data detect |
| 7 | 5.1CH | O | 5.1CH muting. |
| 8 | VCC | — | Power supply +5 V |
| 9 | SIN0 | I | UART input. Used for rewriting flash memory |
| 10 | SOT0 | O | UART output. Used for rewriting flash memory |
| 11 | N.C | O | Not used (Connected to ground) |
| 12 | N.C | O | Not used (Connected to ground) |
| 13 | XHDWR | O | To CXD2712 data write |
| 14 | XHDRD | O | To CXD2712 data read |
| 15 | SOD | I | To CXD2712 LFE detection |
| 16 | XHDCS | O | To CXD2712 chip select |
| 17 | HD7 | O | To CXD2712 HCIF data I/O |
| 18 | HD6 | O | To CXD2712 HCIF data I/O |
| 19 | HD5 | O | To CXD2712 HCIF data I/O |
| 20 | HD4 | O | To CXD2712 HCIF data I/O |
| 21 | HD3 | O | To CXD2712 HCIF data I/O |
| 22 | HD2 | O | To CXD2712 HCIF data I/O |
| 23 | HD1 | O | To CXD2712 HCIF data I/O |
| 24 | HD0 | O | To CXD2712 HCIF data I/O |
| 25 | HA0 | O | To CXD2712 address |
| 26 | XRST | O | To CXD2712 reset |
| 27 | HRDY | I | To CXD2712 ready |
| 28 | CS | O | To AK4526A chip select |
| 29 | CCLK | O | To AK4526A clock |
| 30 | CDTI | O | To AK4526A data input |
| 31 | CDTO | I | To AK4526A data output |
| 32 | PD | O | To AK4526A reset |
| 33 | VSS | — | Ground (Connected to ground) |
| 34 | C | — | External power regulator capacitor 0.1u is connected to this terminal. |
| 35 | 96KHz | O | To AK4526A Dfs |
| 36 | N.C | I | Not used (Connected to ground) |
| 37 | N.C | I | Not used (Connected to ground) |
| 38 | DVCC | — | Digital power supply +5 V |
| 39 | DVSS | — | Digital Ground (Connected to ground) |
| 40 | N.C | O | Not used (Connected to ground) |
| 41 | N.C | — | Not used (Connected to ground) |
| 42 | AVCC | — | Analog power supply +5 V |
| 43 | AVR+ | — | Power supply +5 V |
| 44 | AVR- | — | Ground (Connected to ground) |
| 45 | AVSS | — | Ground (Connected to ground) |
| 46 | EVSTB | O | To TC9299 strobe |
| 47 | EVDATA | O | To TC9299 data |
| 48 | EVCLK | O | To TC9299 clock |
| 49 | DISPMR | I | Display master request (Connected to MCU U.MREQ) |
| 50 | DISPDATA | I | Display data (Connected to MCU U.DATA) |

| Pin No. | Pin Name | I/O | Description |
|---------|----------------|-----|-------------------------------------------------------------|
| 51 | SLVDTA/REQ | O | Slave data/request (Connected to MCU U.SREQ) |
| 52 | DISPCLK | I | Display clock (Connected to MCU U.CLOCK) |
| 53 | N.C | I | Not used (Connected to ground) |
| 54 | VCC | — | Power supply +5 V |
| 55 | S.LAT | O | To tuner latch |
| 56 | S.DATA | O | To tuner data |
| 57 | S.CLK | O | To tuner clock |
| 58 | DATA IN | I | PLL data in |
| 59 | AUSTOP | I | Auto stop input |
| 60 | STEREO | I | Stereo input |
| 61 | N.C | I | Not used (Connected to ground) |
| 62 | N.C | I | Not used (Connected to ground) |
| 63 | VSS | — | Ground (Connected to ground) |
| 64 | N.C | I | Not used (Connected to ground) |
| 65 | TH | I | TH Protector input |
| 66 | PROTEC | I | Protector input |
| 67 | STOP | I | AC power check |
| 68 | N.C | I | Not used (Connected to ground) |
| 69 | N.C | I | Not used (Connected to ground) |
| 70 | N.C | I | Not used (Connected to ground) |
| 71 | N.C | I | Not used (Connected to ground) |
| 72 | VIDEO(SW4) | O | Video select SW4 |
| 73 | X1A | — | Not used |
| 74 | X0A | — | Not used |
| 75 | VIDEO(SW3) | O | Video select SW3 |
| 76 | VIDEO(SW2) | O | Video select SW2 |
| 77 | VIDEO(SW1) | O | Video select SW1 |
| 78 | DIGITAL 1/4 | I | Digital function |
| 79 | TAPE NO/ YES | I | Tape NO/YES input |
| 80 | VIDEO3 NO/ YES | I | I VIDEO3 NO/ YES input |
| 81 | DTS NO/ YES | I | DTS NO/ YES input |
| 82 | ACMUTE | O | Power amp mute ON/OFF output |
| 83 | 96K NO/YES | I | 96K NO/YES input |
| 84 | T.MUTE | O | Tuner muting |
| 85 | S.MUTE | O | Surround muting (Connected to ground) |
| 86 | HSTX | — | Hardware standby (Connected to power supply +5 V) |
| 87 | MD2 | — | MD2 (To MCU MD2) |
| 88 | MD1 | — | MD1 (Connect to power supply) |
| 89 | MD0 | — | MD0 (To MCU MD0) |
| 90 | REST | I | Reset (Connected to MB90553 U.RESET) |
| 91 | VSS | — | Ground (Connected to ground) |
| 92 | XO | — | External ceramic filter 16MHz is connected to this terminal |
| 93 | XI | — | External ceramic filter 16MHz is connected to this terminal |
| 94 | VCC | — | Power supply +5V |
| 95 | PO0 | I | Flash memory rewrite (Connected to ground) |
| 96 | PO1 | I | Flash memory rewrite (Connected to ground) |
| 97 | RY-4/B | O | 4/8 relay |
| 98 | RY-PRE | O | Pre relay |
| 99 | RY-FRONT/A | O | Front speaker A relay |
| 100 | RY-FRONT/B | O | Front speaker B relay |

| Pin No. | Pin Name | I/O | Description |
|---------|-----------|-----|----------------------------------|
| 101 | RY-CENTER | O | Center speaker relay |
| 102 | RY-REAR | O | Rear speaker relay |
| 103 | RY-WOOFER | O | Sub Woofer relay |
| 104 | RY-HP | O | Head phone relay |
| 105 | RY-POWER | O | Power relay |
| 106 | ANG/DIG | O | Analog/digital selection |
| 107 | DIG-INB | O | Digital input select B |
| 108 | DIG-INA | O | Digital input select A |
| 109 | XMODE | O | Direct pass relay |
| 110 | CL | O | To LC89055 clock |
| 111 | CE | O | To LC89055 latch |
| 112 | DI | O | To LC89055 data |
| 113 | DO | I | To LC89055 C-bit |
| 114 | ERROR | I | Error output to LC89055 |
| 115 | BYSYNC | I | Non PCM sync detect flag LC89055 |
| 116 | AUTO | I | Non PCM data detect flag LC89056 |
| 117 | CSFLAG | I | C-bit change flag LC89055 |
| 118 | XSTATE | I | Xtal status Frag LC89055 |
| 119 | VSS | — | Ground (Connected to ground) |
| 120 | N.C | — | Not used (Connected to ground) |

IC1503 AK4526A A/D,D/A CONVERTER (DIGITAL BOARD)

| Pin No. | Pin Name | I/O | Description |
|---------|--------------------------|-----|-----------------------------------------------------------------------------------------------------------------------------------------------------------------------------------------------------------------------------------------------|
| 1 | SDOS | I | SDTO source select pin “L”: internal ADC output, “H”: DAUX input ORed with serial control register if $P/\bar{S} = \text{“L”}$ (Connected to ground) |
| 2 | $\overline{\text{MCLK}}$ | I | MCKO clock frequency select pin “L”: MCLK, “H”: MCLK/2. ORed with serial control register if $P/\bar{S} = \text{“L”}$ (Connected to ground) |
| 3 | \bar{S}/M | I | Audio data master/slave mode select pin “L”: slave mode, “H”: master mode (Connected to ground) |
| 4 | BCLK | I/O | Audio serial data clock pin |
| 5 | LRCK | I/O | Input/output channel clock pin |
| 6 | SDT11 | I | DAC1 audio serial data input pin |
| 7 | SDT12 | I | DAC2 audio serial data input pin |
| 8 | SDT13 | I | DAC3 audio serial data input pin |
| 9 | SDTO | O | Audio serial data output pin |
| 10 | DAUX | I | AUX audio serial data input pin (Connected to ground) |
| 11 | DFS | I | Double speed sampling mode pin “L”: normal speed, “H”: double speed ORed with serial control register if $P/\bar{S} = \text{“L”}$ (Connected to ground) |
| 12 – 13 | DEM1 – DEM0 | I | De-emphasis pin ORed with serial control register if $P/\bar{S} = \text{“L”}$ (Connected to ground) |
| 14 | MCKO | O | Master clock output pin (Not used) |
| 15 | D. 5V | — | Digital power supply pin |
| 16 | D. GND | — | Digital ground pin |
| 17 | $\overline{\text{PD}}$ | I | Power-down & reset pin When “L”, the AK4526 is powered-down and the control registers are reset to default state. If the state of P/\bar{S} , M/\bar{S} , CAD0-1 changes, then the AK4526 must be reset by $\overline{\text{PD}}$. |
| 18 | TEST | I | X’tal oscillator select/test mode pin “H”: X’tal oscillator selected “L”: External clock source selected “NC”: If pin is floating then test mode is enabled. (Connected to ground) |
| 19 | ICKS1 | I | Input clock select 1 pin (Connected to ground) |
| 20 | ICKS0 | I | Input clock select 0 pin (Connected to ground) |
| 21 | CAD1 | I | Chip address pin Used during the serial control mode. (Connected to ground) |
| 22 | CAD0 | I | Chip address pin Used during the serial control mode. (Connected to ground) |
| 23 | LOUT3 | O | Lch #3 analog output pin |
| 24 | ROUT3 | O | Rch #3 analog output pin |
| 25 | LOUT2 | O | Lch #2 analog output pin |
| 26 | ROUT2 | O | Rch #2 analog output pin |
| 27 | LOUT1 | O | Lch #1 analog output pin |
| 28 | ROUT1 | O | Rch #1 analog output pin |
| 29 | LIN- | I | Lch analog negative input pin |
| 30 | LIN+ | I | Lch analog positive input pin |

| Pin No. | Pin Name | I/O | Description |
|---------|----------|-----|----------------------------------------------------------------------------------------------------------|
| 31 | RIN- | I | Rch analog negative input pin |
| 32 | RIN+ | I | Rch analog positive input pin |
| 33 | VREFL | I | Negative voltage reference input pin, AVSS (Connected to ground) |
| 34 | VCOM | O | Common voltage output pin, AVDD/2 Large external capacitor is used to reduce power-supply noise |
| 35 | VREFH | I | Positive voltage reference input pin, AVDD |
| 36 | A. 5V | — | Analog power supply pin |
| 37 | A. GND | — | Analog ground pin |
| 38 | XTI | I | X'tal input pin (Not used) |
| 39 | MCLKI | I | External master clock input pin if XTS = "L" |
| 40 | S/P | I | Parallel/serial select pin "L": serial control mode, "H": parallel control mode (Connected to ground) |
| 41 | CS | I | Chip select pin in serial mode |
| 42 | CCLK | I | Control data clock pin in serial mode |
| 43 | CDTI | I | Control data input in serial mode |
| 44 | CDTO | O | Control data output pin in serial mode |

If pins TEST, ICKS0, ICKS1, \overline{PD} , $\overline{S/P}$, DFS, DEM0, DEM1, CAD0, CAD1, $\overline{S/M}$, \overline{MCLK} , SDOS are not driven, then TEST, ICKS0, ICKS1, CAD0, CAD1, must be tied to either AVSS or AVDD. \overline{PD} , $\overline{S/P}$, DFS, DEM0, DEM1, $\overline{S/M}$, \overline{MCLK} , SDOS must be tied to either DVSS or DVDD.

IC102 MB90553APF-G-138-BND DISPLAY CONTROL(DISPLAY BOARD)

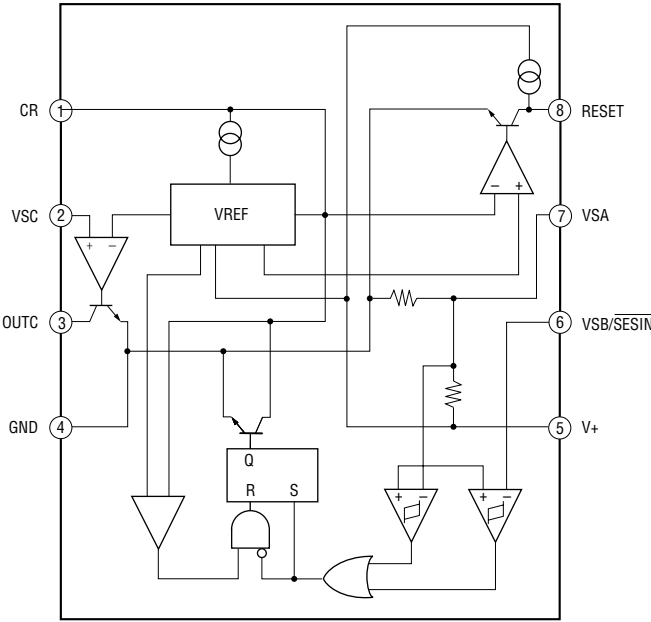
| Pin No. | Pin Name | I/O | Description |
|---------|-------------|-----|-----------------------------------------------------------------------------|
| 1 | DCS | O | DCS logo display data output to LED. |
| 2 | EQ | O | EQ ON/OFF display data output to LED. |
| 3 | B.B | O | BASS BOOST display data output to LED. |
| 4 | MUTE | O | MUTING display data output to LED. |
| 5 | D.D | O | DOLBY DIGITAL display data output to LED. |
| 6 | VOLUME | O | VOLUME display data output to LED. |
| 7 | POWER RY | O | Power reay display. |
| 8 | 5V CHECK | O | Power check (+5V) |
| 9 | — | — | Not used. (Connected to ground) |
| 10 | — | — | Not used. (Connected to ground) |
| 11 | VSS | — | Ground (Connected to ground) |
| 12 | — | — | Not used. (Connected to ground) |
| 13 | — | — | Not used. (Connected to ground) |
| 14 | — | — | Not used. (Connected to ground) |
| 15 | — | — | Not used. (Connected to ground) |
| 16 | — | — | Not used. (Connected to ground) |
| 17 | — | — | Not used. (Connected to ground) |
| 18 | — | — | Not used. (Connected to ground) |
| 19 | SOT0 | O | UART data output to rewrite flash memory |
| 20 | SIN0 | I | UART data input to rewrite flash memory |
| 21 | FL CLK | O | Clock output to flourescent display tube |
| 22 | FL DATA | O | Data output to flourescent display tube |
| 23 | VCC | — | Power supply +5 V |
| 24 | FL LAT | O | Fluorescent latch |
| 25 | FL CLEAR | O | Fluorescent clear |
| 26 | SIRCS IN | I | SIRCS input |
| 27 | C | — | External power regulator capacitor 0.1 μ is connected to this terminal. |
| 28 | — | — | Not used (Connected to ground) |
| 29 | — | — | Not used (Connected to ground) |
| 30 | — | — | Not used (Connected to ground) |
| 31 | — | — | Not used (Connected to ground) |
| 32 | — | — | Not used (Connected to ground) |
| 33 | — | — | Not used (Connected to ground) |
| 34 | AVCC | — | Analog power supply +5 V |
| 35 | AVRH | — | AVRH (Connected to power supply +5 V) |
| 36 | AVRL | — | SVRL (Connected to ground) |
| 37 | AVSS | — | Ground (Connected to ground) |
| 38 | AD KEY IN 1 | I | Key input 1 |
| 39 | AD KEY IN 2 | I | Key input 2 |
| 40 | AD KEY IN 3 | I | Key input 3 |
| 41 | AD KEY IN 4 | I | Key input 4 |
| 42 | VSS | — | Ground (Connected to ground) |
| 43 | AD KEY IN 5 | I | Key input 5 |
| 44 | AD KEY IN 6 | I | Key input 6 |
| 45 | AD KEY IN 7 | I | Key input 7 |
| 46 | RDS SIGNAL | I | RDS signal input. |
| 47 | STOP | I | Stop input |
| 48 | — | — | Not used (Connected to ground) |
| 49 | MD 0 | I | MD 0 (To MD0 of MB90573) |
| 50 | MD 1 | I | MD 1 (Connected to power supply +5 V) |

| Pin No. | Pin Name | I/O | Description |
|---------|---------------|-----|------------------------------------------------------------------|
| 51 | MD 2 | I | MD 2 (To MD2 of MB90573) |
| 52 | HSTX | I | Hardware STANDBY input |
| 53 | RDS CLOCK | I | RDS clock input |
| 54 | RDS DATA | I | RDS data input |
| 55 | VOL UP | O | Volume up data output |
| 56 | VOL DOWN | O | Volume down data output |
| 57 | — | — | Not used (Connected to ground) |
| 58 | U-RESET | O | Reset output (Connected to MB90573 RESET) |
| 59 | U-SREQ | I | Slave request and data input (Connected to MB90573 SLV DATA/REQ) |
| 60 | U-MREQ | O | Master request output (Connected to MB90573 DISPMR) |
| 61 | U-DATA | O | Master data output (Connected to MB90573 DISP DATA) |
| 62 | U-CLOCK | O | Master clock output (Connected to MB90573 DISPCLK) |
| 63 | AUBUS-IN | I | Audio bus input |
| 64 | SP-A | I | Speaker A signal input. |
| 65 | SP-B | I | Speaker B signal input. |
| 66 | POWER-KEY IN | I | POWER-KEY input. |
| 67 | AUBUS-OUT | O | Audio bus output |
| 68 | VIRSION IN1 | I | Virision input. |
| 69 | VIRSION IN 2 | I | Virision input. |
| 70 | VIRSION IN 3 | I | Virision input. |
| 71 | VIRSION IN 4 | I | Virision input. |
| 72 | VIRSION IN 5 | I | Virision input. |
| 73 | VIRSION OUT 1 | O | Virision output. |
| 74 | VIRSION OUT 2 | O | Virision output. |
| 75 | JOG-UP | I | Function encoder up input. |
| 76 | JOG-DOWN | I | Function encoder down input. |
| 77 | RESET | I | Reset (Display MCU) |
| 78 | — | — | Not used (Connected to ground) |
| 79 | — | — | Not used (Connected to ground) |
| 80 | — | — | Not used (Connected to ground) |
| 81 | VSS | — | Ground (Connected to ground) |
| 82 | X0 | — | External ceramic filter 4 MHz is connected to this terminal |
| 83 | X1 | — | External ceramic filter 4 MHz is connected to this terminal |
| 84 | VCC | — | Power supply +5 V |
| 85 | — | — | Not used. (Connected to ground) |
| 86 | — | — | Not used. (Connected to ground) |
| 87 | LED CLK | I | LED clock input. |
| 88 | LED DATA | I | LED data input. |
| 89 | LED CE | I | LED chip enable input. |
| 90 | LED CLR | I | LED clear input. |
| 91 | — | — | Not used. (Connected to ground) |
| 92 | — | — | Not used. (Connected to ground) |
| 93 | MBUS-V1 | I | V1 input from MBUS |
| 94 | MBUS-DVD | I | DVD input from MBUS |
| 95 | MBUS-TV | I | TV input from MBUS |
| 96 | MBUS-STATUS | I | STATUS input from MBUS |
| 97 | — | — | Not used. (Connected to ground) |
| 98 | LAT | O | Learning microprocessor latch output |
| 99 | — | — | Not used. (Connected to ground) |
| 100 | — | — | Not used. (Connected to ground) |

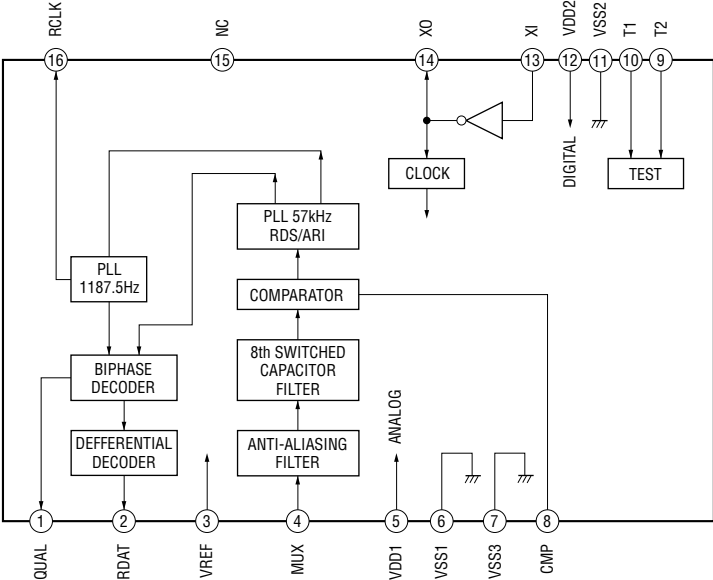
IC1101 LC89055W DIGITAL AUDIO I/F RECEIVER (DIGITAL BOARD)

| Pin No. | Pin Name | I/O | Description |
|---------|----------|-----|---------------------------------------------------------------------------------------------------------|
| 1 | DISEL | I | Input data select. (connected to ground.) |
| 2 | DOUT | O | EIAJ data and parity flag output terminal (Not used) |
| 3 | DIN0 | I | Amplifier integrate data input terminal |
| 4 | DIN1 | O | Amplifier integrate data input terminal (Connecting to ground) |
| 5 | DIN2 | I | Amplifier integrate data input terminal (Connecting to ground) |
| 6 | D. GND | — | Digital ground |
| 7 | D. VDD | O | Digital power supply |
| 8 | R | I | Input terminal for VCO generator band adjustment |
| 9 | V IN | I | Input terminal for VCO self running frequency set |
| 10 | LPF | O | External LPF for PLL is connected to this terminal |
| 11 | A. VDD | — | Analog power supply |
| 12 | A. GND | — | Analog ground |
| 13 | CK OUT | — | 256fs or 128fs clock output terminal (Select CLKMD terminal) |
| 14 | BCK | O | Bit clock output terminal |
| 15 | LRCK | O | L, R clock output terminal (L-ch: "H", R-ch: "L") |
| 16 | DATA O | O | Audio data output terminal |
| 17 | XSTATE | O | Xtal status frag output. |
| 18 | D. GND | — | Digital ground |
| 19 | D. VDD | — | Digital power supply |
| 20 | XMCK | — | Not used. |
| 21 | XOUT | O | Crystal oscillator output terminal (Not used.) |
| 22 | XIN | I | Crystal oscillator input terminal |
| 23 | EMPHA | O | Emphasis monitor output terminal ("H" = ON) (Not used.) |
| 24 | AUDIO | — | Not used. |
| 25 | CSFLAG | O | C-bit change frag output. |
| 26 | F0/P0/C0 | — | Not used. |
| 27 | F1/P1/C1 | — | Not used. |
| 28 | F2/P2/C2 | — | Not used. |
| 29 | F3/P3/C3 | — | Not used. |
| 30 | D. VDD | — | Digital power supply |
| 31 | D. GND | — | Digital ground |
| 32 | AUTO | O | Non PCM data detect flag output. |
| 33 | BPSYNC | O | Non PCM sync detect flag output. |
| 34 | ERROR | O | Error mute output terminal |
| 35 | DO | O | Microprocessor I/F. When CCB/SUB is "H", data output terminal (high level open drain output) (Not used) |
| 36 | DI | I | Microprocessor I/F. Data input terminal |
| 37 | CE | I | Microprocessor I/F. Chip enable/latch input terminal |
| 38 | CLK | I | Microprocessor I/F. Clock input terminal |
| 39 | XSEL | I | Xtal select. (Connected to +5V.) |
| 40 | MODE0 | I | Mode 0 input. (Connected to ground.) |
| 41 | MODE1 | I | Mode 1 input. (Connected to ground.) |
| 42 | D. GND | — | Digital ground |
| 43 | D. VDD | — | Digital power supply |
| 44 | DOSEL0 | O | Output data select 0. (Connected to ground.) |
| 45 | DOSEL1 | O | Output data select 1. (Connected to ground.) |
| 46 | CKSEL0 | I | System clock select input 0. (Connected to ground.) |
| 47 | CKSEL1 | I | System clock select input 1. (Connected to ground.) |
| 48 | XMODE | I | Reset input. |

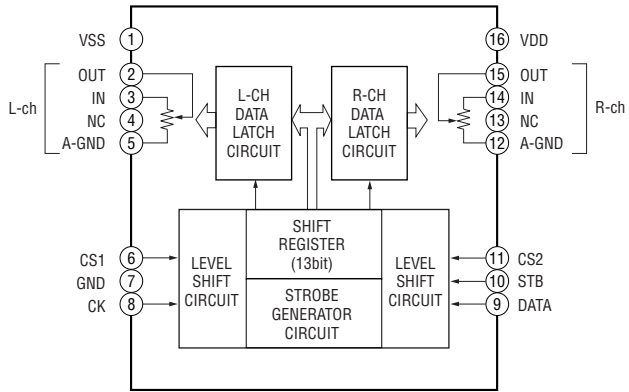
4-23. IC BLOCK DIAGRAMS
IC1206 NJM2103M (DIGITAL BOARD)



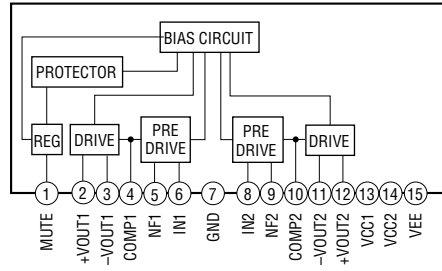
IC1 BU1924F (TUNER BOARD)



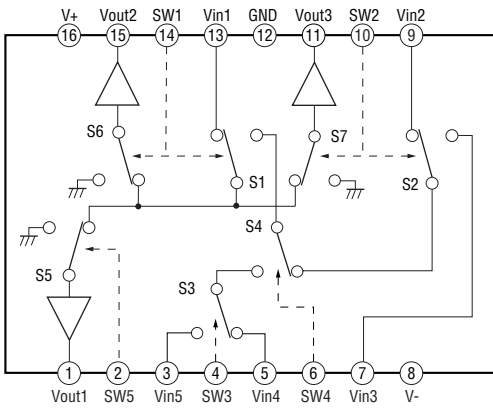
IC414, 415, 416 TC9299P (MAIN BOARD)



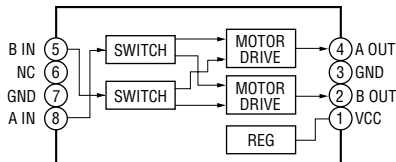
**IC501, 601 μ PC2581V (MAIN BOARD)
IC701 μ PC2581V (REAR AMP BOARD)**



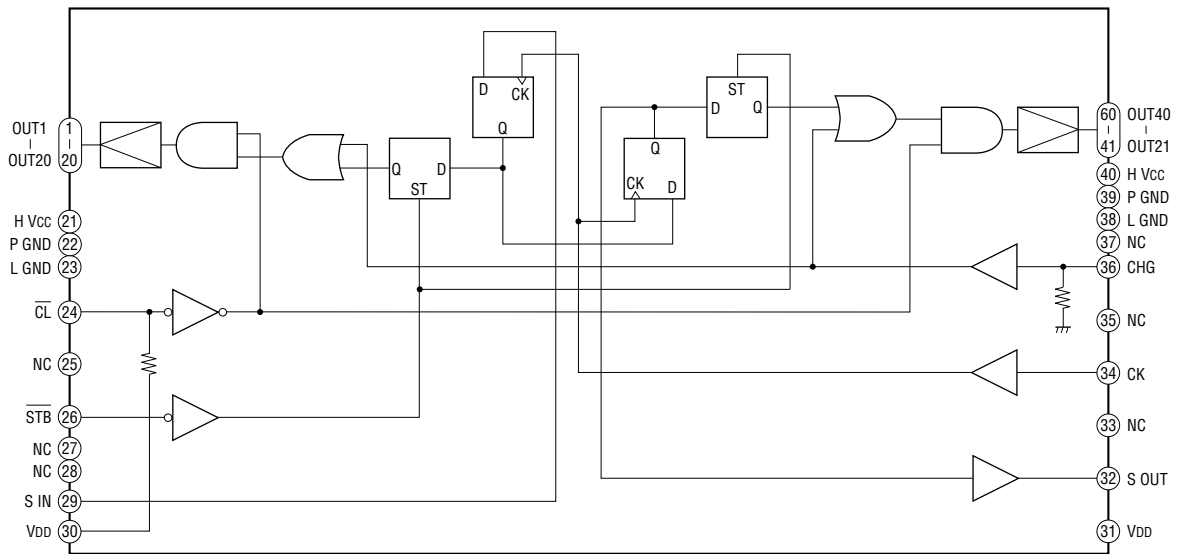
**IC201 NJM2296M (VIDEO BOARD)
IC251,252 NJM2296M (S VIDEO BOARD)**



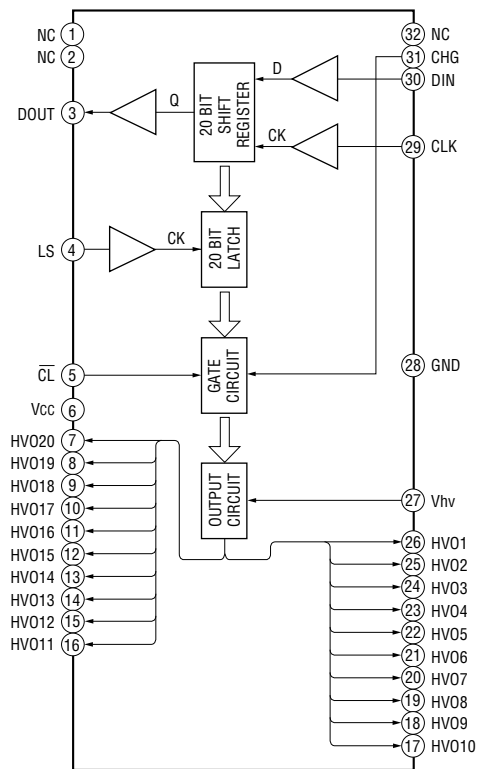
IC105 BA6208F (DISPLAY BOARD)



IC103 TD62C950RF (DISPLAY BOARD)



IC104 MSC1164GS (DISPLAY BOARD)



SECTION 5 EXPLODED VIEWS

NOTE:

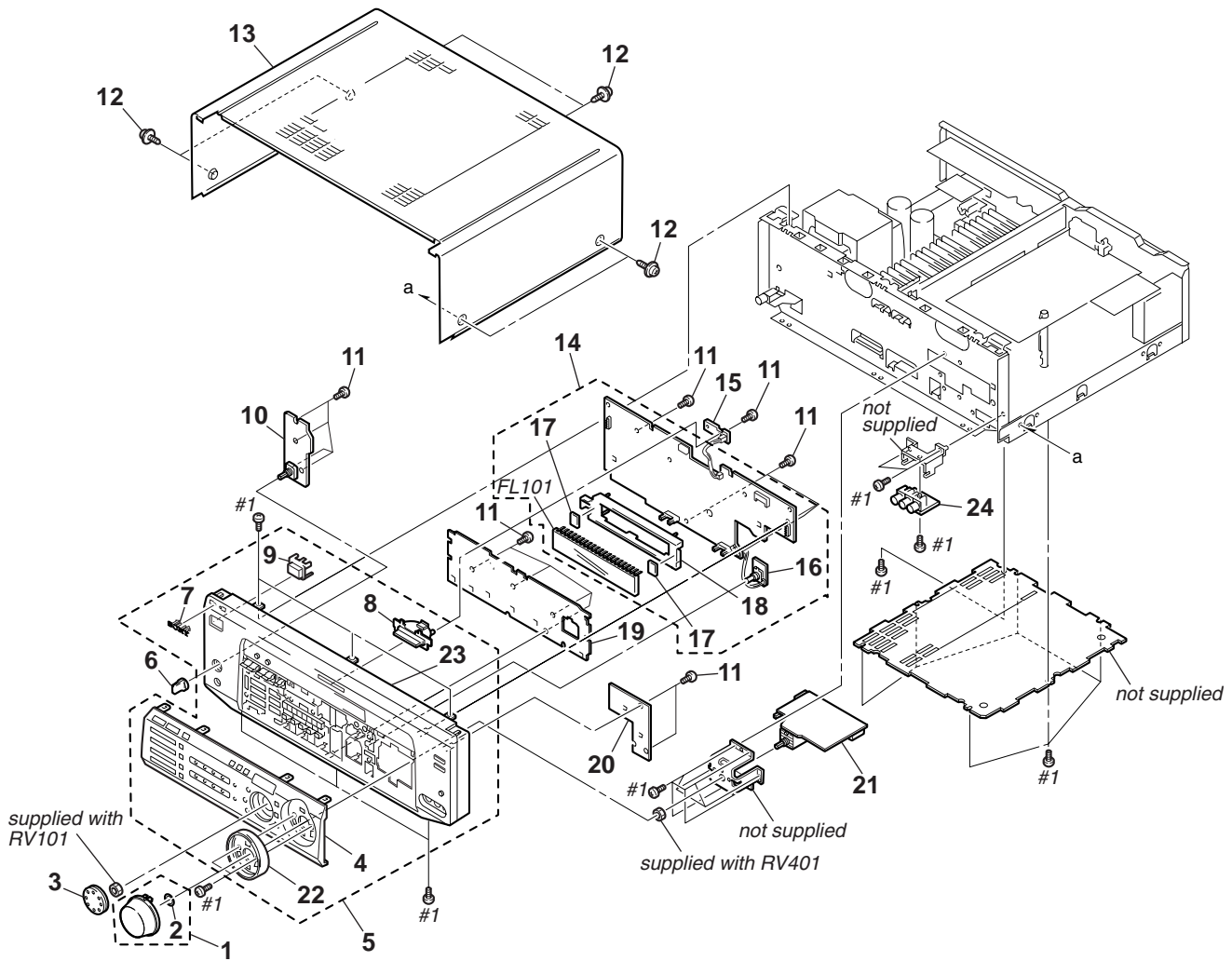
- -XX, -X mean standardized parts, so they may have some differences from the original one.
- Items marked “*” are not stocked since they are seldom required for routine service. Some delay should be anticipated when ordering these items.
- The mechanical parts with no reference number in the exploded views are not supplied.
- Hardware (# mark) list and accessories and packing materials are given in the last of this parts list.
- Abbreviation
 CND : Canadian model
 AUS : Australian model
 SP : Singapore model
 MY : Malaysia model
 CH : Chinese model

The components identified by mark \triangle or dotted line with mark \triangle are critical for safety. Replace only with part number specified.

Les composants identifiés par une marque \triangle sont critiques pour la sécurité. Ne les remplacer que par une pièce portant le numéro spécifié.

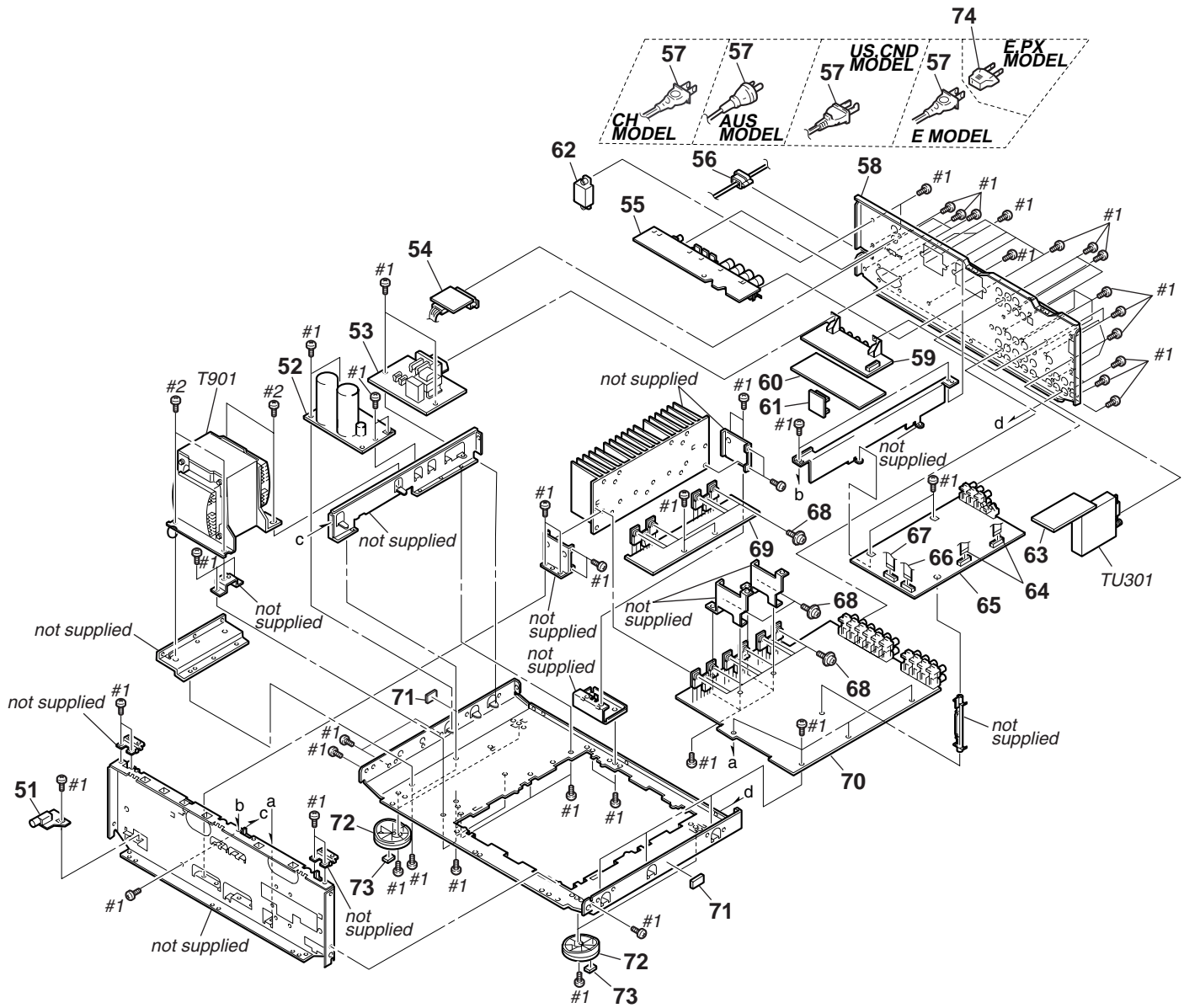
以阴影和 \triangle 标志来识别的零部件在安全方面具有关键性。因此只能以规定号码的零部件来更换。

5-1. FRONT PANEL SECTION



| Ref. No. | Part No. | Description | Remarks | Ref. No. | Part No. | Description | Remarks |
|----------|--------------|---------------------------------------|---------------------|----------|--------------|---------------------------------------|---------|
| 1 | X-4951-260-1 | KNOB(VOL) ASSY (DE835/DE935/SE591) | | 12 | 4-210-291-11 | SCREW (CASE 3 TP2)(V828) | |
| 1 | X-4951-261-1 | KNOB(VOL) ASSY (V828) | | * 13 | 4-982-682-01 | CASE (414532) | |
| 2 | 3-350-426-01 | SPRING, RING | | | | (DE835:US,CND,E,PX/DE935/SE591) | |
| 3 | 4-221-474-01 | KNOB(JOG)(DE835/DE935/SE591) | | 13 | X-4947-722-1 | CASE ASSY (DE835:SP,MY,AUS) | |
| 3 | 4-221-474-11 | KNOB(JOG)(V828) | | 13 | X-4947-723-1 | CASE ASSY (V828) | |
| | | | | 14 | A-4419-396-A | DISPLAY BOARD, COMPLETE(DE835:US,CND) | |
| 4 | 4-217-853-01 | ESCU TCHEON (DE935) | | | | | |
| 4 | 4-217-853-11 | ESCU TCHEON (DE835:US,CND,AUS/SE591) | | 14 | A-4419-397-A | DISPLAY BOARD, COMPLETE | |
| 4 | 4-217-853-21 | ESCU TCHEON (DE835:E,PX,SP,MY) | | | | (DE835:SP,MY/V828) | |
| 4 | 4-217-853-31 | ESCU TCHEON (V828) | | 14 | A-4419-398-A | DISPLAY BOARD, COMPLETE(DE835:AUS) | |
| 5 | X-4951-253-1 | BASE(835U) ASSY, PANEL | (DE835:US,CND,AUS) | 14 | A-4419-402-A | DISPLAY BOARD, COMPLETE(DE835:E,PX) | |
| | | | | 14 | A-4419-403-A | DISPLAY BOARD, COMPLETE (DE935) | |
| | | | | 14 | A-4419-961-A | DISPLAY BOARD, COMPLETE (SE591) | |
| 5 | X-4951-254-1 | BASE(835SP) ASSY, PANEL | (DE835:E,PX,SP,MY) | * 15 | 1-673-350-11 | LED BOARD, COMPLETE | |
| 5 | X-4951-255-1 | BASE(828CN) ASSY, PANEL (V828) | | * 16 | 1-673-348-11 | ROTARY BOARD | |
| 5 | X-4951-256-1 | BASE(935U) ASSY, PANEL (DE935) | | * 17 | 4-921-941-01 | CUDHION (FL) | |
| 5 | X-4951-270-1 | BASE(591U) ASSY, PANEL (SE591) | | * 18 | 4-990-797-01 | HOLDER (FL) | |
| 6 | 4-957-383-01 | KNOB(F14)(DE835/DE935/SE591) | | 19 | A-4419-404-A | SW BOARD, COMPLETE(DE835/SE591/V828) | |
| | | | | | | | |
| 6 | 4-957-383-11 | KNOB(F14)(V828) | | 19 | A-4419-406-A | SW BOARD, COMPLETE(DE935) | |
| 7 | 4-996-698-01 | EMBLEM, SONY (DE835/DE935/SE591) | | * 20 | 1-673-346-11 | MUTING BOARD | |
| 7 | 4-996-698-11 | EMBLEM, SONY (V828) | | 21 | A-4419-408-A | VOLUME BOARD, COMPLETE | |
| 8 | X-4951-572-1 | ESCU TCHEON (WIN) ASSY | (DE835/DE935/SE591) | 22 | 4-216-792-01 | RING(VOL)(DE835/DE935/SE591) | |
| | | | | 22 | 4-216-792-11 | RING(VOL)(V828) | |
| 8 | X-4951-596-1 | ESCU TCHEON (WIN) ASSY (V828) | | | | | |
| | | | | 23 | 4-219-241-41 | PANEL, FRONT (V828) | |
| 9 | 4-996-683-21 | BUTTON (POWER)(DE835/DE935/SE591) | | 23 | 4-219-241-51 | PANEL, FRONT (DE935) | |
| 9 | 4-996-683-51 | BUTTON (POWER)(V828) | | 23 | 4-219-241-61 | PANEL, FRONT (SE591) | |
| * 10 | 1-673-347-11 | SP-SW BOARD | | 24 | 1-673-351-11 | F-VIDEO BOARD | |
| 11 | 4-951-620-01 | SCREW (2.6X8), +BVTP | | FL101 | 1-517-781-11 | INDICATOR TUBE, FLUORESCENT | |
| 12 | 4-210-291-01 | SCREW (CASE 3 TP2)(DE835/DE935/SE591) | | | | | |

5-2. CHASSIS SECTION



| Ref. No. | Part No. | Description | Remarks | Ref. No. | Part No. | Description | Remarks |
|----------|--------------|------------------------------------|---------|----------|--------------|-------------------------------------------|---------|
| * 51 | 1-673-349-11 | H.P BOARD | | 65 | A-4419-441-A | DIGITAL BOARD, COMPLETE(DE935) | |
| * 52 | 1-673-354-11 | DC BOARD | | 65 | A-4426-046-A | DIGITAL BOARD, COMPLETE | |
| * 53 | 1-673-353-11 | AC BOARD | | | | (DE835:E,PX,SP,MY,AUS/V828) | |
| * 54 | 1-673-359-11 | 4/8 BOARD | | 66 | 1-773-048-11 | WIRE(FLAT TYPE) (17 CORE) | |
| * 55 | 1-673-355-11 | SP BOARD | | 67 | 1-773-112-11 | WIRE(FLAT TYPE) (19 CORE) | |
| | | | | | | (DE835:E,PX,SP,MY,AUS/V828) | |
| * 56 | 3-703-244-00 | BUSHING (2104), CORD | | 67 | 1-773-182-11 | WIRE(FLAT TYPE) (23 CORE) | |
| △57 | 1-696-847-11 | CORD, POWER (DE835:AUS) | | | | (DE835:US,CND/DE935/SE591) | |
| △57 | 1-769-743-11 | CORD, POWER (DE835:CND) | | 68 | 3-905-609-11 | SCREW (TRANSISTOR) | |
| △57 | 1-769-744-11 | CORD, POWER (DE835:E,PX,SP,MY) | | * 69 | A-4419-391-A | REAR-AMP BOARD, COMPLETE | |
| △57 | 1-782-464-21 | CORD, POWER (V828) | | 70 | A-4419-383-A | MAIN BOARD, COMPLETE(DE835:US/SE591) | |
| △57 | 1-783-531-11 | CORD, POWER (DE835:US/DE935/SE591) | | 70 | A-4419-384-A | MAIN BOARD, COMPLETE(DE835:CND) | |
| 58 | 4-217-900-31 | PANEL, BACK (DE835:US) | | 70 | A-4419-385-A | MAIN BOARD, COMPLETE(DE835:SP,MY/V828) | |
| 58 | 4-217-900-41 | PANEL, BACK (DE835:SP,MY) | | 70 | A-4419-386-A | MAIN BOARD, COMPLETE(DE835:AUS) | |
| 58 | 4-217-900-51 | PANEL, BACK (V828) | | 70 | A-4419-387-A | MAIN BOARD, COMPLETE(DE835:E,PX) | |
| 58 | 4-217-900-61 | PANEL, BACK (DE835:AUS) | | 70 | A-4419-388-A | MAIN BOARD, COMPLETE(DE935) | |
| 58 | 4-217-900-71 | PANEL, BACK (DE835:E,PX) | | 71 | 4-985-642-01 | CUSHION | |
| 58 | 4-217-900-81 | PANEL, BACK (DE935) | | 72 | X-4947-207-1 | FOOT ASSY (F50150S)(DE835:E,PX,SP,MY,AUS) | |
| 58 | 4-217-900-91 | PANEL, BACK (SE591) | | | | | |
| 58 | 4-218-334-11 | PANEL, BACK (DE835:CND) | | 72 | X-4947-208-1 | FOOT ASSY (F50150S) | |
| 59 | A-4419-433-A | S-VIDEO BOARD, COMPLETE | | | | (DE835:US,CND/DE935/SE591) | |
| | | (DE835:E,PX,SP,MY,AUS/V828) | | 72 | X-4947-547-1 | FOOT ASSY (F50150S)(V828) | |
| 59 | A-4419-434-A | S-VIDEO BOARD, COMPLETE | | 73 | 4-977-358-11 | CUSHION (DE835:US,CND/DE935/SE591/V828) | |
| | | (DE835:US,CND/SE591) | | △74 | 1-569-008-21 | ADAPTOR, CONVERSION 2P (DE835:E,PX) | |
| 59 | A-4419-435-A | S-VIDEO BOARD, COMPLETE(DE935) | | △T901 | 1-433-769-11 | TRANSFORMER, POWER | |
| * 60 | 1-673-356-11 | VIDEO BOARD | | | | (DE835:US/DE935/SE591) | |
| * 61 | 1-673-940-11 | JOINT(H) BOARD | | △T901 | 1-433-770-11 | TRANSFORMER, POWER (DE835:CND) | |
| 62 | 1-673-352-11 | V.SWITCH BOARD (DE835:E,PX) | | △T901 | 1-433-771-11 | TRANSFORMER, POWER (DE835:SP,MY/V828) | |
| | | | | △T901 | 1-433-773-11 | TRANSFORMER, POWER (DE835:AUS) | |
| * 63 | 1-673-358-11 | TUNER BOARD | | △T901 | 1-433-774-11 | TRANSFORMER, POWER (DE835:E,PX) | |
| 64 | 1-773-001-11 | WIRE(FLAT TYPE) (15 CORE) | | TU301 | 1-693-407-11 | TUNER (DE835:US,CND,E,PX/DE935/SE591) | |
| 65 | A-4419-440-A | DIGITAL BOARD, COMPLETE | | | | | |
| | | (DE835:US,CND/SE591) | | TU301 | 1-693-409-11 | TUNER (DE835:SP,MY,AUS/V828) | |

The components identified by mark △ or dotted line with mark △ are critical for safety. Replace only with part number specified.

Les composants identifiés par une marque △ sont critiques pour la sécurité. Ne les remplacer que par une pièce portant le numéro spécifié.

以阴影和 △标志来识别的零部件、在安全方面具有关键性。因此只能以规定号码的零部件来更换。

SECTION 6

ELECTRICAL PARTS LIST

4/8
AC
DC

NOTE:

- Due to standardization, replacements in the parts list may be different from the parts specified in the diagrams or the components used on the set.
- -XX, -X mean standardized parts, so they may have some difference from the original one.
- Items marked “*” are not stocked since they are seldom required for routine service. Some delay should be anticipated when ordering these items.
- CAPACITORS:
uF: μ F

- RESISTORS
All resistors are in ohms.
METAL: metal-film resistor
METAL OXIDE: Metal Oxide-film resistor
F: nonflammable
- COILS
uH: μ H
- Abbreviation
CND : Canadian model
AUS : Australian model
SP : Singapore model
MY : Malaysia model
CH : Chinese model

- SEMICONDUCTORS
In each case, u: μ , for example:
uA...: μ A..., uPA..., μ PA...,
uPB..., μ PB..., uPC..., μ PC...,
uPD..., μ PD...

When indicating parts by reference number, please include the board name.

The components identified by mark \triangle or dotted line with mark \triangle are critical for safety. Replace only with part number specified.

Les composants identifiés par une marque \triangle sont critiques pour la sécurité. Ne les remplacer que par une pièce portant le numéro spécifié.

以阴影和 \triangle 标志来识别的零部件在安全方面具有关键性。因此只能以规定号码的零部件来更换。

| Ref. No. | Part No. | Description | Remarks |
|--------------------|--------------|-------------------------------------------------------------|---------|
| * | 1-673-359-11 | 4/8 BOARD ***** | |
| | | < CONNECTOR > | |
| * CNP805 | 1-564-216-00 | PIN, CONNECTOR 5P | |
| | | < DIODE > | |
| D804 | 8-719-053-18 | DIODE 1SR154-400TE-25 | |
| D805 | 8-719-053-18 | DIODE 1SR154-400TE-25 | |
| | | < SWITCH > | |
| S801 | 1-571-309-21 | SWITCH (INPEDANCE SELECTOR) | |
| ***** | | | |
| * | 1-673-353-11 | AC BOARD ***** | |
| | 1-533-217-41 | HOLDER, FUSE | |
| | | < CAPACITOR > | |
| C901 | 1-163-037-11 | CERAMIC CHIP 0.022uF 10% 25V | |
| C902 | 1-163-037-11 | CERAMIC CHIP 0.022uF 10% 25V | |
| C905 | 1-126-767-11 | ELECT 1000uF 20% 16V | |
| | | < JACK > | |
| \triangle CNJ901 | 1-251-718-11 | OUTLET (2 GANG), AC (DE835:US,CND,E,PX/DE935/SE591/V828) | |
| \triangle CNJ901 | 1-785-285-11 | OUTLET, AC (1P)(DE835:SP,MY) | |
| \triangle CNJ901 | 1-251-417-11 | OUTLET, A.C.(DE835:AUS) | |
| | | < CONNECTOR > | |
| CNP809 | 1-784-921-11 | PIN, CONNECTOR 4P | |
| | | < CONNECTOR > | |
| CNV901 | 1-564-321-00 | PIN, CONNECTOR 2P | |
| * CNV902 | 1-565-792-11 | PIN, CONNECTOR 2P | |
| | | < DIODE > | |
| D901 | 8-719-053-18 | DIODE 1SR154-400TE-25 | |
| D902 | 8-719-053-18 | DIODE 1SR154-400TE-25 | |
| D903 | 8-719-053-18 | DIODE 1SR154-400TE-25 | |
| D904 | 8-719-053-18 | DIODE 1SR154-400TE-25 | |
| D905 | 8-719-801-78 | DIODE 1SS184-TE85L | |
| D907 | 8-719-016-74 | DIODE 1SS352-TPH3 | |

| Ref. No. | Part No. | Description | Remarks |
|------------------|--------------|-----------------------------------------------------|---------|
| | | < EARTH > | |
| * EB901 | 1-537-738-21 | TERMINAL, EARTH (DE835:US,CND/DE935/SE591) | |
| | | < FUSE > | |
| \triangle F901 | 1-532-504-51 | FUSE TIME LAG 4A/250V (E,PX,SP,MY,AUS,CH) | |
| \triangle F901 | 1-533-311-11 | FUSE, GLASS CYLINDRICAL (DIA.5) 8A/125V (US,CND) | |
| \triangle F903 | 1-532-464-51 | FUSE TIME LAG 2.5A/250V (SP,MY,AUS,CH) | |
| | | < TRANSISTOR > | |
| Q901 | 8-729-230-49 | TRANSISTOR 2SC2712-YG-TE85L | |
| | | < RESISTOR > | |
| R901 | 1-202-725-00 | SOLID 3.3M 10% 1/2W (DE835:US,CND/DE935/SE591) | |
| R902 | 1-216-073-00 | METAL CHIP 10K 5% 1/10W | |
| R903 | 1-216-065-91 | RES,CHIP 4.7K 5% 1/10W | |
| | | < RELAY > | |
| RY901 | 1-755-298-11 | RELAY | |
| | | < TRANSFORMER > | |
| \triangle T902 | 1-433-686-11 | TRANSFORMER, POWER (DE835:US,CND/DE935/SE591) | |
| \triangle T902 | 1-433-687-11 | TRANSFORMER, POWER (DE835:E,PX) | |
| \triangle T902 | 1-433-685-11 | TRANSFORMER, POWER (DE835:SP,MY,AUS/V828) | |
| ***** | | | |
| * | 1-673-354-11 | DC BOARD ***** | |
| | 1-533-217-41 | HOLDER, FUSE | |
| | | < CAPACITOR > | |
| C801 | 1-104-664-11 | ELECT 47uF 20% 25V | |
| C803 | 1-125-897-11 | ELECT 10000uF 20% 71V (EXCEPT DE835:SP,MY/V828) | |
| C803 | 1-125-997-11 | ELECT 12000uF 20% 63V (DE835:SP,MY/V828) | |
| C804 | 1-125-897-11 | ELECT 10000uF 20% 71V (EXCEPT DE835:SP,MY/V828) | |
| C804 | 1-125-997-11 | ELECT 12000uF 20% 63V (DE835:SP,MY/V828) | |

| Ref. No. | Part No. | Description | Remarks | Ref. No. | Part No. | Description | Remarks |
|----------------|-----------------------------------------------------|----------------------------------------|-----------------|----------|--------------|-------------------------------------|---------|
| C805 | 1-130-781-00 | FILM | 0.22uF 10% 100V | C1011 | 1-163-251-11 | CERAMIC CHIP 100PF 5% 50V | |
| C806 | 1-130-781-00 | FILM | 0.22uF 10% 100V | C1012 | 1-163-251-11 | CERAMIC CHIP 100PF 5% 50V | |
| C807 | 1-128-555-91 | ELECT | 470uF 20% 63V | C1013 | 1-163-251-11 | CERAMIC CHIP 100PF 5% 50V | |
| C808 | 1-126-967-11 | ELECT | 47uF 20% 50V | C1014 | 1-163-251-11 | CERAMIC CHIP 100PF 5% 50V | |
| C809 | 1-126-967-11 | ELECT | 47uF 20% 50V | C1015 | 1-163-251-11 | CERAMIC CHIP 100PF 5% 50V | |
| < CONNECTOR > | | | | C1016 | 1-163-251-11 | CERAMIC CHIP 100PF 5% 50V | |
| CNP801 | 1-785-102-21 | PIN, CONNECTOR 4P | | C1017 | 1-163-021-91 | CERAMIC CHIP 0.01uF 10% 50V | |
| CNP802 | 1-785-102-11 | PIN, CONNECTOR 4P | | C1018 | 1-163-275-11 | CERAMIC CHIP 0.001uF 5% 50V | |
| * CNP803 | 1-564-104-00 | PIN, CONNECTOR (B3P-VH) 3P | | C1019 | 1-163-275-11 | CERAMIC CHIP 0.001uF 5% 50V | |
| CNP804 | 1-779-978-11 | PIN, CONNECTOR 3P | | C1020 | 1-163-243-11 | CERAMIC CHIP 47PF 5% 50V | |
| < DIODE > | | | | C1031 | 1-163-275-11 | CERAMIC CHIP 0.001uF 5% 50V (DE935) | |
| D801 | 8-719-072-05 | DIODE RBV-602LF-A | | C1101 | 1-165-319-11 | CERAMIC CHIP 0.1uF 50V | |
| D806 | 8-719-070-30 | DIODE PTZ-TE25-5.6A | | C1102 | 1-128-840-11 | ELECT 47uF 20% 16V | |
| D810 | 8-719-074-75 | DIODE PTZ-TE25-30B | | C1103 | 1-165-319-11 | CERAMIC CHIP 0.1uF 50V | |
| < EARTH > | | | | C1104 | 1-163-021-91 | CERAMIC CHIP 0.01uF 10% 50V | |
| * EB801 | 1-537-738-21 | TERMINAL, EARTH | | C1105 | 1-128-840-11 | ELECT 47uF 20% 16V | |
| < FUSE > | | | | C1106 | 1-165-319-11 | CERAMIC CHIP 0.1uF 50V | |
| △ F801 | 1-533-311-11 | FUSE, GLASS CYLINDRICAL(DIA.5) 8A/125V | | C1107 | 1-163-021-91 | CERAMIC CHIP 0.01uF 10% 50V | |
| △ F802 | 1-533-311-11 | FUSE, GLASS CYLINDRICAL(DIA.5) 8A/125V | | C1108 | 1-165-319-11 | CERAMIC CHIP 0.1uF 50V | |
| < TRANSISTOR > | | | | C1109 | 1-165-319-11 | CERAMIC CHIP 0.1uF 50V | |
| Q801 | 8-729-048-78 | TRANSISTOR 2SD1733-TL-QR | | C1110 | 1-163-275-11 | CERAMIC CHIP 0.001uF 5% 50V | |
| < RESISTOR > | | | | C1111 | 1-165-319-11 | CERAMIC CHIP 0.1uF 50V | |
| △ R801 | 1-247-727-11 | CARBON 10 5% 1/2W F | | C1156 | 1-163-021-91 | CERAMIC CHIP 0.01uF 10% 50V | |
| △ R802 | 1-249-401-11 | CARBON 47 5% 1/4W F | | C1157 | 1-165-319-11 | CERAMIC CHIP 0.1uF 50V | |
| R803 | 1-216-061-00 | METAL CHIP 3.3K 5% 1/10W | | C1201 | 1-119-824-11 | ELECT MELF 10uF 20% 50V | |
| R804 | 1-216-081-00 | METAL CHIP 22K 5% 1/10W | | C1202 | 1-165-319-11 | CERAMIC CHIP 0.1uF 50V | |
| ***** | | | | C1203 | 1-165-319-11 | CERAMIC CHIP 0.1uF 50V | |
| A-4419-440-A | DIGITAL BOARD, COMPLETE (DE835:US,CND/SE591) | | | C1204 | 1-165-319-11 | CERAMIC CHIP 0.1uF 50V | |
| ***** | | | | C1205 | 1-165-319-11 | CERAMIC CHIP 0.1uF 50V | |
| A-4419-441-A | DIGITAL BOARD, COMPLETE (DE935) | | | C1206 | 1-163-037-11 | CERAMIC CHIP 0.022uF 10% 25V | |
| ***** | | | | C1207 | 1-128-840-11 | ELECT 47uF 20% 16V | |
| A-4426-046-A | DIGITAL BOARD, COMPLETE (DE835:E,PX,SP,MY,AUS/V828) | | | C1208 | 1-165-319-11 | CERAMIC CHIP 0.1uF 50V | |
| ***** | | | | C1209 | 1-165-319-11 | CERAMIC CHIP 0.1uF 50V | |
| < CAPACITOR > | | | | C1210 | 1-128-840-11 | ELECT 47uF 20% 16V | |
| C1001 | 1-165-319-11 | CERAMIC CHIP 0.1uF 50V | | C1211 | 1-163-251-11 | CERAMIC CHIP 100PF 5% 50V | |
| C1002 | 1-165-319-11 | CERAMIC CHIP 0.1uF 50V | | C1212 | 1-163-251-11 | CERAMIC CHIP 100PF 5% 50V | |
| C1003 | 1-165-319-11 | CERAMIC CHIP 0.1uF 50V | | C1213 | 1-165-319-11 | CERAMIC CHIP 0.1uF 50V | |
| C1004 | 1-165-319-11 | CERAMIC CHIP 0.1uF 50V | | C1214 | 1-128-840-11 | ELECT 47uF 20% 16V | |
| C1005 | 1-165-319-11 | CERAMIC CHIP 0.1uF 50V | | C1215 | 1-127-720-91 | ELECT MELF 470uF 20% 16V | |
| C1006 | 1-128-834-11 | ELECT 470uF 20% 10V | | C1216 | 1-127-720-91 | ELECT MELF 470uF 20% 16V | |
| C1007 | 1-128-858-11 | ELECT 22uF 20% 50V | | C1217 | 1-127-720-91 | ELECT MELF 470uF 20% 16V | |
| C1008 | 1-165-319-11 | CERAMIC CHIP 0.1uF 50V | | C1218 | 1-126-959-11 | ELECT 0.47uF 20% 50V | |
| C1009 | 1-163-251-11 | CERAMIC CHIP 100PF 5% 50V | | C1219 | 1-165-319-11 | CERAMIC CHIP 0.1uF 50V | |
| C1010 | 1-163-217-11 | CERAMIC CHIP 1PF 0.25PF 50V | | C1220 | 1-126-957-11 | ELECT 0.22uF 20% 50V | |
| | | | | C1221 | 1-119-824-11 | ELECT MELF 10uF 20% 50V | |
| | | | | C1222 | 1-165-319-11 | CERAMIC CHIP 0.1uF 50V | |
| | | | | C1223 | 1-165-319-11 | CERAMIC CHIP 0.1uF 50V | |
| | | | | C1224 | 1-165-319-11 | CERAMIC CHIP 0.1uF 50V | |
| | | | | C1225 | 1-165-319-11 | CERAMIC CHIP 0.1uF 50V | |
| | | | | C1226 | 1-126-960-11 | ELECT 1uF 20% 50V | |

The components identified by mark △ or dotted line with mark △ are critical for safety. Replace only with part number specified.

Les composants identifiés par une marque △ sont critiques pour la sécurité. Ne les remplacer que par une pièce portant le numéro spécifié.

以阴影和 △标志来识别的零部件，在安全方面具有关键性。因此只能以规定号码的零部件来更换。

DIGITAL

| Ref. No. | Part No. | Description | Remarks | Ref. No. | Part No. | Description | Remarks |
|----------|--------------|--------------|----------------|----------|--------------|--------------------|-----------------------------|
| C1227 | 1-128-840-11 | ELECT | 47uF 20% 16V | C1525 | 1-128-858-11 | ELECT | 22uF 20% 50V |
| C1228 | 1-163-021-91 | CERAMIC CHIP | 0.01uF 10% 50V | C1526 | 1-128-858-11 | ELECT | 22uF 20% 50V |
| C1229 | 1-127-720-91 | ELECT | 470uF 20% 16V | C1527 | 1-163-239-11 | CERAMIC CHIP | 33PF 5% 50V |
| | | | (SUFFIX-12) | C1529 | 1-163-239-11 | CERAMIC CHIP | 33PF 5% 50V |
| C1230 | 1-165-319-11 | CERAMIC CHIP | 0.1uF 50V | C1531 | 1-163-239-11 | CERAMIC CHIP | 33PF 5% 50V |
| | | | (SUFFIX-12) | C1533 | 1-163-239-11 | CERAMIC CHIP | 33PF 5% 50V |
| C1301 | 1-165-319-11 | CERAMIC CHIP | 0.1uF 50V | C1535 | 1-163-239-11 | CERAMIC CHIP | 33PF 5% 50V |
| C1303 | 1-165-319-11 | CERAMIC CHIP | 0.1uF 50V | C1537 | 1-163-239-11 | CERAMIC CHIP | 33PF 5% 50V |
| C1304 | 1-165-319-11 | CERAMIC CHIP | 0.1uF 50V | C1539 | 1-128-840-11 | ELECT | 47uF 20% 16V |
| C1305 | 1-128-840-11 | ELECT | 47uF 20% 16V | C1540 | 1-128-840-11 | ELECT | 47uF 20% 16V |
| C1306 | 1-163-133-00 | CERAMIC CHIP | 470PF 5% 50V | C1541 | 1-128-840-11 | ELECT | 47uF 20% 16V |
| C1307 | 1-165-319-11 | CERAMIC CHIP | 0.1uF 50V | C1542 | 1-163-227-11 | CERAMIC CHIP | 10PF 0.5PF 50V |
| C1309 | 1-128-834-11 | ELECT | 470uF 20% 10V | C1543 | 1-128-858-11 | ELECT | 22uF 20% 50V |
| C1310 | 1-165-319-11 | CERAMIC CHIP | 0.1uF 50V | C1544 | 1-165-319-11 | CERAMIC CHIP | 0.1uF 20% 50V |
| C1311 | 1-165-319-11 | CERAMIC CHIP | 0.1uF 50V | C1545 | 1-163-227-11 | CERAMIC CHIP | 10PF 0.5PF 50V |
| C1312 | 1-165-319-11 | CERAMIC CHIP | 0.1uF 50V | C1546 | 1-128-858-11 | ELECT | 22uF 20% 50V |
| C1313 | 1-165-319-11 | CERAMIC CHIP | 0.1uF 50V | C1547 | 1-163-227-11 | CERAMIC CHIP | 10PF 0.5PF 50V |
| C1314 | 1-165-319-11 | CERAMIC CHIP | 0.1uF 50V | C1548 | 1-128-858-11 | ELECT | 22uF 20% 50V |
| C1315 | 1-163-021-91 | CERAMIC CHIP | 0.01uF 10% 50V | C1549 | 1-163-227-11 | CERAMIC CHIP | 10PF 0.5PF 50V |
| C1401 | 1-165-319-11 | CERAMIC CHIP | 0.1uF 50V | C1550 | 1-128-858-11 | ELECT | 22uF 20% 50V |
| C1402 | 1-165-319-11 | CERAMIC CHIP | 0.1uF 50V | C1551 | 1-163-227-11 | CERAMIC CHIP | 10PF 0.5PF 50V |
| C1403 | 1-163-275-11 | CERAMIC CHIP | 0.001uF 5% 50V | C1552 | 1-128-858-11 | ELECT | 22uF 20% 50V |
| C1404 | 1-165-319-11 | CERAMIC CHIP | 0.1uF 50V | C1553 | 1-163-227-11 | CERAMIC CHIP | 10PF 0.5PF 50V |
| C1405 | 1-165-319-11 | CERAMIC CHIP | 0.1uF 50V | C1554 | 1-128-858-11 | ELECT | 22uF 20% 50V |
| C1406 | 1-165-319-11 | CERAMIC CHIP | 0.1uF 50V | C1560 | 1-128-858-11 | ELECT | 22uF 20% 50V |
| C1407 | 1-165-319-11 | CERAMIC CHIP | 0.1uF 50V | C1561 | 1-128-858-11 | ELECT | 22uF 20% 50V |
| C1408 | 1-165-319-11 | CERAMIC CHIP | 0.1uF 50V | C1562 | 1-128-858-11 | ELECT | 22uF 20% 50V |
| C1409 | 1-128-840-11 | ELECT | 47uF 20% 16V | C1563 | 1-128-858-11 | ELECT | 22uF 20% 50V |
| C1410 | 1-165-319-11 | CERAMIC CHIP | 0.1uF 50V | C1564 | 1-128-858-11 | ELECT | 22uF 20% 50V |
| C1411 | 1-165-319-11 | CERAMIC CHIP | 0.1uF 50V | C1565 | 1-128-858-11 | ELECT | 22uF 20% 50V |
| C1412 | 1-165-319-11 | CERAMIC CHIP | 0.1uF 50V | C1570 | 1-119-824-11 | ELECT MELF | 10uF 20% 50V |
| C1413 | 1-165-319-11 | CERAMIC CHIP | 0.1uF 50V | C1571 | 1-165-319-11 | CERAMIC CHIP | 0.1uF 50V |
| C1414 | 1-128-840-11 | ELECT | 47uF 20% 16V | C1572 | 1-128-858-11 | ELECT | 22uF 20% 50V |
| C1416 | 1-128-840-11 | ELECT | 47uF 20% 16V | C1573 | 1-106-347-00 | MYLAR | 1500PF 5% 200V |
| C1417 | 1-165-319-11 | CERAMIC CHIP | 0.1uF 50V | C1574 | 1-128-858-11 | ELECT | 22uF 20% 50V |
| C1501 | 1-128-840-11 | ELECT | 47uF 20% 16V | C1575 | 1-128-858-11 | ELECT | 22uF 20% 50V |
| C1502 | 1-128-840-11 | ELECT | 47uF 20% 16V | C1576 | 1-128-858-11 | ELECT | 22uF 20% 50V |
| C1503 | 1-163-251-11 | CERAMIC CHIP | 100PF 5% 50V | C3118 | 1-163-233-11 | CERAMIC CHIP | 18PF 5% 50V |
| C1504 | 1-128-840-11 | ELECT | 47uF 20% 16V | C3119 | 1-163-233-11 | CERAMIC CHIP | 18PF 5% 50V |
| C1505 | 1-128-840-11 | ELECT | 47uF 20% 16V | | | < CONNECTOR > | |
| C1507 | 1-128-858-11 | ELECT | 22uF 20% 50V | CNP1301 | 1-784-923-11 | PIN, CONNECTOR 7P | |
| C1508 | 1-128-858-11 | ELECT | 22uF 20% 50V | CNP1302 | 1-779-799-11 | PIN, CONNECTOR 9P | |
| C1509 | 1-128-840-11 | ELECT | 47uF 20% 16V | CNP1303 | 1-779-977-11 | PIN, CONNECTOR 6P | |
| C1510 | 1-128-858-11 | ELECT | 22uF 20% 50V | CNP1305 | 1-784-923-11 | PIN, CONNECTOR 7P | |
| C1511 | 1-128-858-11 | ELECT | 22uF 20% 50V | CNS1301 | 1-784-778-11 | CONNECTOR, FFC 17P | |
| C1512 | 1-128-840-11 | ELECT | 47uF 20% 16V | CNS1302 | 1-784-776-11 | CONNECTOR, FFC 15P | |
| C1513 | 1-119-824-11 | ELECT MELF | 10uF 20% 50V | CNS1303 | 1-784-784-11 | CONNECTOR, FFC 23P | (DE835:US,CND/DE935/SE591) |
| C1514 | 1-165-319-11 | CERAMIC CHIP | 0.1uF 50V | CNS1303 | 1-784-780-11 | CONNECTOR, FFC 19P | (DE835:E,PX,SP,MY,AUS/V828) |
| C1515 | 1-119-824-11 | ELECT MELF | 10uF 20% 50V | CNS1304 | 1-784-776-11 | CONNECTOR, FFC 15P | |
| C1516 | 1-165-319-11 | CERAMIC CHIP | 0.1uF 50V | | | < DIODE > | |
| C1517 | 1-128-858-11 | ELECT | 22uF 20% 50V | D1001 | 8-719-016-74 | DIODE 1SS352-TPH3 | |
| C1518 | 1-165-319-11 | CERAMIC CHIP | 0.1uF 50V | D1002 | 8-719-016-74 | DIODE 1SS352-TPH3 | |
| C1519 | 1-165-319-11 | CERAMIC CHIP | 0.1uF 50V | D1101 | 8-719-016-74 | DIODE 1SS352-TPH3 | |
| C1520 | 1-128-858-11 | ELECT | 22uF 20% 50V | D1102 | 8-719-016-74 | DIODE 1SS352-TPH3 | |
| C1522 | 1-128-858-11 | ELECT | 22uF 20% 50V | D1201 | 8-719-016-74 | DIODE 1SS352-TPH3 | |
| C1523 | 1-106-347-00 | MYLAR | 1500PF 5% 200V | | | | |
| C1524 | 1-128-858-11 | ELECT | 22uF 20% 50V | | | | |

| Ref. No. | Part No. | Description | Remarks | Ref. No. | Part No. | Description | Remarks |
|----------|--------------|-----------------------------|---------|----------|--------------|------------------------------|---------|
| D1202 | 8-719-016-74 | DIODE 1SS352-TPH3 | | IC1510 | 8-759-636-55 | IC M5218AFP-T1 | |
| D1203 | 8-719-801-78 | DIODE 1SS184-TE85L | | IC1554 | 8-759-636-55 | IC M5218AFP-T1 | |
| D1204 | 8-719-801-78 | DIODE 1SS184-TE85L | | | | < JACK > | |
| D1205 | 8-719-801-78 | DIODE 1SS184-TE85L | | J1001 | 1-784-431-11 | JACK, PIN 1P (DVD/LD(COAX)) | |
| D1206 | 8-719-016-74 | DIODE 1SS352-TPH3 | | J1002 | 1-785-536-11 | JACK, PIN (6P)(5.1 INPUT) | |
| D1207 | 8-719-016-74 | DIODE 1SS352-TPH3 | | | | < JUMPER RESISTOR > | |
| D1208 | 8-719-053-18 | DIODE 1SR154-400TE-25 | | JW10 | 1-216-295-91 | SHORT 0 | |
| D1209 | 8-719-801-78 | DIODE 1SS184-TE85L | | JW11 | 1-216-295-91 | SHORT 0 | |
| D1210 | 8-719-016-74 | DIODE 1SS352-TPH3 | | JW12 | 1-216-295-91 | SHORT 0 | |
| D1211 | 8-719-053-18 | DIODE 1SR154-400TE-25 | | JW13 | 1-216-295-91 | SHORT 0 | |
| D1501 | 8-719-820-05 | DIODE 1SS181-TE85L | | JW14 | 1-216-295-91 | SHORT 0 | |
| D1504 | 8-719-820-05 | DIODE 1SS181-TE85L | | JW15 | 1-216-295-91 | SHORT 0 | |
| D1505 | 8-719-820-05 | DIODE 1SS181-TE85L | | JW16 | 1-216-295-91 | SHORT 0 | |
| | | < EARTH > | | JW17 | 1-216-295-91 | SHORT 0 | |
| * EB1001 | 1-537-738-21 | TERMINAL, EARTH | | | | < TRANSISTOR > | |
| * EB1002 | 1-537-738-21 | TERMINAL, EARTH | | Q1201 | 8-729-230-49 | TRANSISTOR 2SC2712-YG-TE85L | |
| | | < FERRITE BEAD > | | Q1202 | 8-729-230-49 | TRANSISTOR 2SC2712-YG-TE85L | |
| FB1101 | 1-414-813-11 | FERRITE 0UH | | Q1203 | 8-729-027-43 | TRANSISTOR RT1N141C-TP-1 | |
| FB1102 | 1-414-813-11 | FERRITE 0UH | | Q1204 | 8-729-230-49 | TRANSISTOR 2SC2712-YG-TE85L | |
| FB1103 | 1-414-813-11 | FERRITE 0UH | | Q1205 | 8-729-048-78 | TRANSISTOR 2SD1733-TL-QR | |
| FB1301 | 1-414-813-11 | FERRITE 0UH | | Q1501 | 8-729-107-46 | TRANSISTOR 2SC3624A-T1L15L16 | |
| FB1302 | 1-414-813-11 | FERRITE 0UH | | Q1502 | 8-729-107-46 | TRANSISTOR 2SC3624A-T1L15L16 | |
| FB1401 | 1-414-813-11 | FERRITE 0UH | | Q1503 | 8-729-107-46 | TRANSISTOR 2SC3624A-T1L15L16 | |
| FB1402 | 1-414-813-11 | FERRITE 0UH | | Q1504 | 8-729-107-46 | TRANSISTOR 2SC3624A-T1L15L16 | |
| FB1403 | 1-414-813-11 | FERRITE 0UH | | Q1505 | 8-729-107-46 | TRANSISTOR 2SC3624A-T1L15L16 | |
| | | < IC > | | Q1506 | 8-729-107-46 | TRANSISTOR 2SC3624A-T1L15L16 | |
| IC1001 | 8-749-015-84 | IC GP1F37R1 (DVD/LD(OPT)) | | Q1507 | 8-729-027-23 | TRANSISTOR RT1P141C-TP-1 | |
| IC1002 | 8-749-923-05 | TORX178A (TV/SAT(OPT)) | | | | < RESISTOR > | |
| IC1003 | 8-749-923-05 | TORX178A (MD/DA IN(OPT)) | | R1001 | 1-216-025-91 | RES,CHIP 100 5% 1/10W | |
| IC1004 | 8-749-923-04 | IC TOTX178 (MD/DA OUT(OPT)) | | R1002 | 1-216-025-91 | RES,CHIP 100 5% 1/10W | |
| IC1005 | 8-759-595-15 | IC TC74ACT153AF(EL) | | R1002 | 1-216-295-91 | SHORT 0 | |
| IC1006 | 8-759-234-20 | IC TC7S08F(TE85R) | | R1003 | 1-216-025-91 | RES,CHIP 100 5% 1/10W | |
| IC1007 | 8-759-242-70 | IC TC7WU04F(TE12R) | | R1003 | 1-216-295-91 | SHORT 0 | |
| IC1101 | 8-759-581-19 | IC LC89055W | | R1004 | 1-216-025-91 | RES,CHIP 100 5% 1/10W | |
| IC1102 | 8-759-242-70 | IC TC7WU04F(TE12R) | | R1004 | 1-216-295-91 | SHORT 0 | |
| IC1201 | 8-759-580-51 | IC MB90573PFV-G-190-BND | | R1005 | 1-216-049-91 | RES,CHIP 1K 5% 1/10W | |
| IC1202 | 8-759-186-30 | IC TC74VHC14F(EL) | | R1006 | 1-216-025-91 | RES,CHIP 100 5% 1/10W | |
| IC1203 | 8-759-445-59 | IC BA033T | | R1007 | 1-216-025-91 | RES,CHIP 100 5% 1/10W | |
| IC1204 | 8-759-450-47 | IC BA05T | | R1008 | 1-216-022-00 | METAL CHIP 75 5% 1/10W | |
| IC1205 | 8-759-231-53 | IC M5F7805L | | R1009 | 1-216-049-91 | RES,CHIP 1K 5% 1/10W | |
| IC1206 | 8-759-544-04 | IC NJM2103M-TE2 | | R1010 | 1-216-081-00 | METAL CHIP 22K 5% 1/10W | |
| IC1207 | 8-759-450-47 | IC BA05T(SUFFIX-12) | | R1011 | 1-216-025-91 | RES,CHIP 100 5% 1/10W | |
| IC1301 | 8-759-582-68 | IC CXD9511Q | | R1012 | 1-216-049-91 | RES,CHIP 1K 5% 1/10W | |
| IC1401 | 8-752-391-87 | IC CXD2712R | | R1013 | 1-216-115-00 | METAL CHIP 560K 5% 1/10W | |
| IC1402 | 8-759-538-16 | IC IDT71V016S15PH-AUTL | | R1014 | 1-216-049-91 | RES,CHIP 1K 5% 1/10W | |
| IC1403 | 8-759-524-32 | IC TC74VHC367FT(EL) | | R1015 | 1-216-049-91 | RES,CHIP 1K 5% 1/10W | |
| IC1404 | 8-759-242-70 | IC TC7WU04F(TE12R) | | R1016 | 1-216-049-91 | RES,CHIP 1K 5% 1/10W | |
| IC1501 | 8-759-231-53 | IC M5F7805L | | R1017 | 1-216-049-91 | RES,CHIP 1K 5% 1/10W | |
| IC1502 | 8-759-590-10 | IC TC9273F-012(EL) | | R1018 | 1-216-065-91 | RES,CHIP 4.7K 5% 1/10W | |
| IC1503 | 8-759-581-18 | IC AK4526A | | R1019 | 1-216-081-00 | METAL CHIP 22K 5% 1/10W | |
| IC1504 | 8-759-636-55 | IC M5218AFP-T1 | | R1021 | 1-216-089-91 | RES,CHIP 47K 5% 1/10W | |
| IC1505 | 8-759-636-55 | IC M5218AFP-T1 | | R1022 | 1-216-121-91 | RES,CHIP 1M 5% 1/10W | |
| IC1506 | 8-759-636-55 | IC M5218AFP-T1 | | R1101 | 1-216-073-00 | METAL CHIP 10K 5% 1/10W | |
| IC1507 | 8-759-636-55 | IC M5218AFP-T1 | | | | | |
| IC1508 | 8-759-636-55 | IC M5218AFP-T1 | | | | | |
| IC1509 | 8-759-636-55 | IC M5218AFP-T1 | | | | | |

DIGITAL

| Ref. No. | Part No. | Description | | | Remarks | Ref. No. | Part No. | Description | | | Remarks |
|----------|--------------|-------------|------|------|--------------------|----------|--------------|-------------|------|----|--------------------|
| R1102 | 1-216-073-00 | METAL CHIP | 10K | 5% | 1/10W | R1239 | 1-216-073-00 | METAL CHIP | 10K | 5% | 1/10W |
| R1103 | 1-216-049-91 | RES,CHIP | 1K | 5% | 1/10W | R1240 | 1-216-073-00 | METAL CHIP | 10K | 5% | 1/10W |
| R1104 | 1-216-022-00 | METAL CHIP | 75 | 5% | 1/10W | R1241 | 1-216-073-00 | METAL CHIP | 10K | 5% | 1/10W |
| R1105 | 1-216-066-00 | METAL CHIP | 5.1K | 5% | 1/10W | R1242 | 1-216-049-91 | RES,CHIP | 1K | 5% | 1/10W |
| R1106 | 1-216-071-00 | METAL CHIP | 8.2K | 5% | 1/10W | R1243 | 1-216-073-00 | METAL CHIP | 10K | 5% | 1/10W |
| R1107 | 1-216-049-91 | RES,CHIP | 1K | 5% | 1/10W | R1244 | 1-216-049-91 | RES,CHIP | 1K | 5% | 1/10W |
| R1108 | 1-216-025-91 | RES,CHIP | 100 | 5% | 1/10W | R1245 | 1-216-049-91 | RES,CHIP | 1K | 5% | 1/10W |
| R1109 | 1-216-121-91 | RES,CHIP | 1M | 5% | 1/10W | R1246 | 1-216-049-91 | RES,CHIP | 1K | 5% | 1/10W |
| R1110 | 1-216-049-91 | RES,CHIP | 1K | 5% | 1/10W | R1247 | 1-216-073-00 | METAL CHIP | 10K | 5% | 1/10W |
| R1111 | 1-216-121-91 | RES,CHIP | 1M | 5% | 1/10W | R1248 | 1-216-073-00 | METAL CHIP | 10K | 5% | 1/10W |
| R1112 | 1-216-025-91 | RES,CHIP | 100 | 5% | 1/10W | R1249 | 1-216-049-91 | RES,CHIP | 1K | 5% | 1/10W |
| R1113 | 1-216-025-91 | RES,CHIP | 100 | 5% | 1/10W | R1250 | 1-216-025-91 | RES,CHIP | 100 | 5% | 1/10W |
| R1114 | 1-216-025-91 | RES,CHIP | 100 | 5% | 1/10W | R1251 | 1-216-073-00 | METAL CHIP | 10K | 5% | 1/10W |
| R1115 | 1-216-073-00 | METAL CHIP | 10K | 5% | 1/10W | R1252 | 1-216-057-00 | METAL CHIP | 2.2K | 5% | 1/10W |
| R1131 | 1-216-066-00 | METAL CHIP | 5.1K | 5% | 1/10W | R1253 | 1-216-057-00 | METAL CHIP | 2.2K | 5% | 1/10W |
| R1160 | 1-216-049-91 | RES,CHIP | 1K | 5% | 1/10W | R1254 | 1-216-057-00 | METAL CHIP | 2.2K | 5% | 1/10W |
| R1192 | 1-216-049-91 | RES,CHIP | 1K | 5% | 1/10W | R1255 | 1-216-057-00 | METAL CHIP | 2.2K | 5% | 1/10W |
| R1193 | 1-216-049-91 | RES,CHIP | 1K | 5% | 1/10W | R1256 | 1-216-057-00 | METAL CHIP | 2.2K | 5% | 1/10W |
| R1201 | 1-216-097-91 | RES,CHIP | 100K | 5% | 1/10W | R1257 | 1-216-057-00 | METAL CHIP | 2.2K | 5% | 1/10W |
| R1202 | 1-216-049-91 | RES,CHIP | 1K | 5% | 1/10W | R1258 | 1-216-057-00 | METAL CHIP | 2.2K | 5% | 1/10W |
| R1203 | 1-216-049-91 | RES,CHIP | 1K | 5% | 1/10W | R1259 | 1-216-073-00 | METAL CHIP | 10K | 5% | 1/10W |
| R1204 | 1-216-049-91 | RES,CHIP | 1K | 5% | 1/10W | | | | | | (DE835/SE591/V828) |
| R1205 | 1-216-049-91 | RES,CHIP | 1K | 5% | 1/10W | R1261 | 1-216-057-00 | METAL CHIP | 2.2K | 5% | 1/10W |
| R1206 | 1-216-049-91 | RES,CHIP | 1K | 5% | 1/10W | R1262 | 1-216-057-00 | METAL CHIP | 2.2K | 5% | 1/10W |
| R1207 | 1-216-049-91 | RES,CHIP | 1K | 5% | 1/10W | R1263 | 1-216-057-00 | METAL CHIP | 2.2K | 5% | 1/10W |
| R1208 | 1-216-049-91 | RES,CHIP | 1K | 5% | 1/10W | R1264 | 1-216-049-91 | RES,CHIP | 1K | 5% | 1/10W |
| R1209 | 1-216-049-91 | RES,CHIP | 1K | 5% | 1/10W | R1265 | 1-216-049-91 | RES,CHIP | 1K | 5% | 1/10W |
| R1210 | 1-216-049-91 | RES,CHIP | 1K | 5% | 1/10W | R1266 | 1-216-049-91 | RES,CHIP | 1K | 5% | 1/10W |
| R1211 | 1-216-049-91 | RES,CHIP | 1K | 5% | 1/10W | R1267 | 1-216-073-00 | METAL CHIP | 10K | 5% | 1/10W |
| R1212 | 1-216-049-91 | RES,CHIP | 1K | 5% | 1/10W | R1269 | 1-216-093-91 | RES,CHIP | 68K | 5% | 1/10W |
| R1213 | 1-216-049-91 | RES,CHIP | 1K | 5% | 1/10W | R1270 | 1-216-049-91 | RES,CHIP | 1K | 5% | 1/10W |
| R1214 | 1-216-049-91 | RES,CHIP | 1K | 5% | 1/10W | R1271 | 1-216-073-00 | METAL CHIP | 10K | 5% | 1/10W |
| R1215 | 1-216-025-91 | RES,CHIP | 100 | 5% | 1/10W | R1272 | 1-216-073-00 | METAL CHIP | 10K | 5% | 1/10W |
| R1216 | 1-216-025-91 | RES,CHIP | 100 | 5% | 1/10W | R1273 | 1-216-049-91 | RES,CHIP | 1K | 5% | 1/10W |
| R1217 | 1-216-025-91 | RES,CHIP | 100 | 5% | 1/10W | R1274 | 1-216-065-91 | RES,CHIP | 4.7K | 5% | 1/10W |
| R1218 | 1-216-049-91 | RES,CHIP | 1K | 5% | 1/10W | R1275 | 1-216-049-91 | RES,CHIP | 1K | 5% | 1/10W |
| R1219 | 1-216-049-91 | RES,CHIP | 1K | 5% | 1/10W | R1276 | 1-216-049-91 | RES,CHIP | 1K | 5% | 1/10W |
| R1220 | 1-216-049-91 | RES,CHIP | 1K | 5% | 1/10W | R1277 | 1-216-049-91 | RES,CHIP | 1K | 5% | 1/10W |
| R1221 | 1-216-073-00 | METAL CHIP | 10K | 5% | 1/10W | R1278 | 1-216-057-00 | METAL CHIP | 2.2K | 5% | 1/10W |
| | | | | | (DE835/SE591/V828) | R1279 | 1-216-049-91 | RES,CHIP | 1K | 5% | 1/10W |
| R1222 | 1-216-073-00 | METAL CHIP | 10K | 5% | 1/10W | R1280 | 1-216-081-00 | METAL CHIP | 22K | 5% | 1/10W |
| | | | | | (DE935) | | | | | | |
| R1223 | 1-216-073-00 | METAL CHIP | 10K | 5% | 1/10W | R1281 | 1-216-049-91 | RES,CHIP | 1K | 5% | 1/10W |
| | | | | | (DE835/SE591/V828) | R1282 | 1-216-049-91 | RES,CHIP | 1K | 5% | 1/10W |
| R1224 | 1-216-089-91 | RES,CHIP | 47K | 5% | 1/10W | R1283 | 1-216-073-00 | METAL CHIP | 10K | 5% | 1/10W |
| R1225 | 1-216-689-11 | METAL CHIP | 39K | 0.5% | 1/10W | R1284 | 1-216-105-91 | RES,CHIP | 220K | 5% | 1/10W |
| R1226 | 1-216-689-11 | METAL CHIP | 39K | 0.5% | 1/10W | R1285 | 1-216-049-91 | RES,CHIP | 1K | 5% | 1/10W |
| R1227 | 1-216-073-00 | METAL CHIP | 10K | 5% | 1/10W | | | | | | |
| | | | | | (DE935) | R1286 | 1-216-049-91 | RES,CHIP | 1K | 5% | 1/10W |
| R1228 | 1-216-075-00 | METAL CHIP | 12K | 5% | 1/10W | R1287 | 1-216-097-91 | RES,CHIP | 100K | 5% | 1/10W |
| R1229 | 1-216-065-91 | RES,CHIP | 4.7K | 5% | 1/10W | R1288 | 1-216-049-91 | RES,CHIP | 1K | 5% | 1/10W |
| R1230 | 1-216-065-91 | RES,CHIP | 4.7K | 5% | 1/10W | R1289 | 1-216-049-91 | RES,CHIP | 1K | 5% | 1/10W |
| R1232 | 1-216-065-91 | RES,CHIP | 4.7K | 5% | 1/10W | R1290 | 1-216-093-91 | RES,CHIP | 68K | 5% | 1/10W |
| R1233 | 1-216-065-91 | RES,CHIP | 4.7K | 5% | 1/10W | | | | | | |
| R1234 | 1-216-065-91 | RES,CHIP | 4.7K | 5% | 1/10W | R1292 | 1-216-049-91 | RES,CHIP | 1K | 5% | 1/10W |
| R1235 | 1-216-065-91 | RES,CHIP | 4.7K | 5% | 1/10W | R1293 | 1-216-073-00 | METAL CHIP | 10K | 5% | 1/10W |
| R1236 | 1-216-065-91 | RES,CHIP | 4.7K | 5% | 1/10W | R1294 | 1-216-073-00 | METAL CHIP | 10K | 5% | 1/10W |
| R1237 | 1-216-065-91 | RES,CHIP | 4.7K | 5% | 1/10W | R1301 | 1-216-073-00 | METAL CHIP | 10K | 5% | 1/10W |
| R1238 | 1-216-065-91 | RES,CHIP | 4.7K | 5% | 1/10W | R1302 | 1-216-073-00 | METAL CHIP | 10K | 5% | 1/10W |
| | | | | | | | | | | | |
| | | | | | | R1401 | 1-216-025-91 | RES,CHIP | 100 | 5% | 1/10W |
| | | | | | | R1402 | 1-216-025-91 | RES,CHIP | 100 | 5% | 1/10W |
| | | | | | | R1403 | 1-216-025-91 | RES,CHIP | 100 | 5% | 1/10W |
| | | | | | | R1404 | 1-216-097-91 | RES,CHIP | 100K | 5% | 1/10W |
| | | | | | | R1405 | 1-216-121-91 | RES,CHIP | 1M | 5% | 1/10W |

DIGITAL

| Ref. No. | Part No. | Description | | | Remarks | Ref. No. | Part No. | Description | | | Remarks |
|----------|--------------|-------------|------|----|---------|----------|--------------|-----------------------------|------|----|---------|
| R1406 | 1-216-073-00 | METAL CHIP | 10K | 5% | 1/10W | R1549 | 1-216-085-00 | METAL CHIP | 33K | 5% | 1/10W |
| R1407 | 1-216-025-91 | RES,CHIP | 100 | 5% | 1/10W | R1550 | 1-216-089-91 | RES,CHIP | 47K | 5% | 1/10W |
| R1408 | 1-216-025-91 | RES,CHIP | 100 | 5% | 1/10W | R1551 | 1-216-089-91 | RES,CHIP | 47K | 5% | 1/10W |
| R1409 | 1-216-025-91 | RES,CHIP | 100 | 5% | 1/10W | R1552 | 1-216-089-91 | RES,CHIP | 47K | 5% | 1/10W |
| R1410 | 1-216-295-91 | SHORT | 0 | | | R1553 | 1-216-085-00 | METAL CHIP | 33K | 5% | 1/10W |
| R1412 | 1-216-065-91 | RES,CHIP | 4.7K | 5% | 1/10W | R1554 | 1-216-089-91 | RES,CHIP | 47K | 5% | 1/10W |
| R1413 | 1-216-065-91 | RES,CHIP | 4.7K | 5% | 1/10W | R1555 | 1-216-295-91 | SHORT | 0 | | |
| R1414 | 1-216-065-91 | RES,CHIP | 4.7K | 5% | 1/10W | R1556 | 1-216-081-00 | METAL CHIP | 22K | 5% | 1/10W |
| R1415 | 1-216-065-91 | RES,CHIP | 4.7K | 5% | 1/10W | R1557 | 1-216-295-91 | SHORT | 0 | | |
| R1416 | 1-216-065-91 | RES,CHIP | 4.7K | 5% | 1/10W | R1558 | 1-216-025-91 | RES,CHIP | 100 | 5% | 1/10W |
| R1417 | 1-216-065-91 | RES,CHIP | 4.7K | 5% | 1/10W | R1559 | 1-216-089-91 | RES,CHIP | 47K | 5% | 1/10W |
| R1418 | 1-216-065-91 | RES,CHIP | 4.7K | 5% | 1/10W | R1560 | 1-216-097-91 | RES,CHIP | 100K | 5% | 1/10W |
| R1419 | 1-216-065-91 | RES,CHIP | 4.7K | 5% | 1/10W | R1561 | 1-216-097-91 | RES,CHIP | 100K | 5% | 1/10W |
| R1420 | 1-216-065-91 | RES,CHIP | 4.7K | 5% | 1/10W | R1562 | 1-216-097-91 | RES,CHIP | 100K | 5% | 1/10W |
| R1421 | 1-216-065-91 | RES,CHIP | 4.7K | 5% | 1/10W | R1563 | 1-216-097-91 | RES,CHIP | 100K | 5% | 1/10W |
| R1422 | 1-216-025-91 | RES,CHIP | 100 | 5% | 1/10W | R1564 | 1-216-097-91 | RES,CHIP | 100K | 5% | 1/10W |
| R1501 | 1-216-295-91 | SHORT | 0 | | | R1565 | 1-216-097-91 | RES,CHIP | 100K | 5% | 1/10W |
| R1502 | 1-216-295-91 | SHORT | 0 | | | R1567 | 1-216-097-91 | RES,CHIP | 100K | 5% | 1/10W |
| R1503 | 1-216-073-00 | METAL CHIP | 10K | 5% | 1/10W | R1568 | 1-216-081-00 | METAL CHIP | 22K | 5% | 1/10W |
| R1504 | 1-216-049-91 | RES,CHIP | 1K | 5% | 1/10W | R1569 | 1-216-097-91 | RES,CHIP | 100K | 5% | 1/10W |
| R1505 | 1-216-009-91 | RES,CHIP | 22 | 5% | 1/10W | R1570 | 1-216-065-91 | RES,CHIP | 4.7K | 5% | 1/10W |
| R1506 | 1-216-009-91 | RES,CHIP | 22 | 5% | 1/10W | R1571 | 1-216-065-91 | RES,CHIP | 4.7K | 5% | 1/10W |
| R1508 | 1-216-033-00 | METAL CHIP | 220 | 5% | 1/10W | R1572 | 1-216-073-00 | METAL CHIP | 10K | 5% | 1/10W |
| R1509 | 1-216-097-91 | RES,CHIP | 100K | 5% | 1/10W | R1573 | 1-216-057-00 | METAL CHIP | 2.2K | 5% | 1/10W |
| R1510 | 1-216-033-00 | METAL CHIP | 220 | 5% | 1/10W | R1574 | 1-216-037-00 | METAL CHIP | 330 | 5% | 1/10W |
| R1511 | 1-216-089-91 | RES,CHIP | 47K | 5% | 1/10W | R1575 | 1-216-073-00 | METAL CHIP | 10K | 5% | 1/10W |
| R1512 | 1-216-033-00 | METAL CHIP | 220 | 5% | 1/10W | R1576 | 1-216-037-00 | METAL CHIP | 330 | 5% | 1/10W |
| R1513 | 1-216-033-00 | METAL CHIP | 220 | 5% | 1/10W | R1577 | 1-216-073-00 | METAL CHIP | 10K | 5% | 1/10W |
| R1514 | 1-216-033-00 | METAL CHIP | 220 | 5% | 1/10W | R1578 | 1-216-049-91 | RES,CHIP | 1K | 5% | 1/10W |
| R1515 | 1-216-033-00 | METAL CHIP | 220 | 5% | 1/10W | R1579 | 1-216-049-91 | RES,CHIP | 1K | 5% | 1/10W |
| R1516 | 1-216-097-91 | RES,CHIP | 100K | 5% | 1/10W | R1580 | 1-216-049-91 | RES,CHIP | 1K | 5% | 1/10W |
| R1517 | 1-216-081-00 | METAL CHIP | 22K | 5% | 1/10W | R1581 | 1-216-081-00 | METAL CHIP | 22K | 5% | 1/10W |
| R1518 | 1-216-097-91 | RES,CHIP | 100K | 5% | 1/10W | R1582 | 1-216-089-91 | RES,CHIP | 47K | 5% | 1/10W |
| R1519 | 1-216-049-91 | RES,CHIP | 1K | 5% | 1/10W | R1583 | 1-216-097-91 | RES,CHIP | 100K | 5% | 1/10W |
| R1522 | 1-216-073-00 | METAL CHIP | 10K | 5% | 1/10W | R1584 | 1-216-089-91 | RES,CHIP | 47K | 5% | 1/10W |
| R1523 | 1-216-057-00 | METAL CHIP | 2.2K | 5% | 1/10W | R1585 | 1-216-081-00 | METAL CHIP | 22K | 5% | 1/10W |
| R1524 | 1-216-037-00 | METAL CHIP | 330 | 5% | 1/10W | R1586 | 1-216-105-91 | RES,CHIP | 220K | 5% | 1/10W |
| R1525 | 1-216-073-00 | METAL CHIP | 10K | 5% | 1/10W | R1587 | 1-216-105-91 | RES,CHIP | 220K | 5% | 1/10W |
| R1526 | 1-216-037-00 | METAL CHIP | 330 | 5% | 1/10W | R1588 | 1-216-105-91 | RES,CHIP | 220K | 5% | 1/10W |
| R1527 | 1-216-073-00 | METAL CHIP | 10K | 5% | 1/10W | R1589 | 1-216-105-91 | RES,CHIP | 220K | 5% | 1/10W |
| R1528 | 1-216-049-91 | RES,CHIP | 1K | 5% | 1/10W | R1590 | 1-216-105-91 | RES,CHIP | 220K | 5% | 1/10W |
| R1529 | 1-216-049-91 | RES,CHIP | 1K | 5% | 1/10W | R1591 | 1-216-105-91 | RES,CHIP | 220K | 5% | 1/10W |
| R1530 | 1-216-049-91 | RES,CHIP | 1K | 5% | 1/10W | R1594 | 1-216-073-00 | METAL CHIP | 10K | 5% | 1/10W |
| R1532 | 1-216-085-00 | METAL CHIP | 33K | 5% | 1/10W | R1595 | 1-216-073-00 | METAL CHIP | 10K | 5% | 1/10W |
| R1533 | 1-216-089-91 | RES,CHIP | 47K | 5% | 1/10W | R1596 | 1-216-073-00 | METAL CHIP | 10K | 5% | 1/10W |
| R1534 | 1-216-089-91 | RES,CHIP | 47K | 5% | 1/10W | R1597 | 1-216-073-00 | METAL CHIP | 10K | 5% | 1/10W |
| R1535 | 1-216-089-91 | RES,CHIP | 47K | 5% | 1/10W | R1598 | 1-216-073-00 | METAL CHIP | 10K | 5% | 1/10W |
| R1536 | 1-216-089-91 | RES,CHIP | 47K | 5% | 1/10W | R1599 | 1-216-073-00 | METAL CHIP | 10K | 5% | 1/10W |
| R1537 | 1-216-085-00 | METAL CHIP | 33K | 5% | 1/10W | R3121 | 1-216-043-91 | RES,CHIP | 560 | 5% | 1/10W |
| R1538 | 1-216-089-91 | RES,CHIP | 47K | 5% | 1/10W | | | | | | |
| R1539 | 1-216-097-91 | RES,CHIP | 100K | 5% | 1/10W | | | | | | |
| R1540 | 1-216-089-91 | RES,CHIP | 47K | 5% | 1/10W | | | | | | |
| R1541 | 1-216-085-00 | METAL CHIP | 33K | 5% | 1/10W | X1201 | 1-781-356-21 | VIBRATOR, CERAMIC 16MHz | | | |
| R1542 | 1-216-089-91 | RES,CHIP | 47K | 5% | 1/10W | X1401 | 1-781-464-21 | VIBRATOR, CERAMIC 10MHz | | | |
| R1543 | 1-216-081-00 | METAL CHIP | 22K | 5% | 1/10W | X3501 | 1-781-465-21 | VIBRATOR, CRYSTAL 12.288MHz | | | |
| R1544 | 1-216-089-91 | RES,CHIP | 47K | 5% | 1/10W | | | | | | |
| R1545 | 1-216-085-00 | METAL CHIP | 33K | 5% | 1/10W | | | | | | |
| R1546 | 1-216-089-91 | RES,CHIP | 47K | 5% | 1/10W | | | | | | |
| R1547 | 1-216-097-91 | RES,CHIP | 100K | 5% | 1/10W | | | | | | |
| R1548 | 1-216-089-91 | RES,CHIP | 47K | 5% | 1/10W | | | | | | |

< VIBRATOR >

DISPLAY

| Ref. No. | Part No. | Description | Remarks | Ref. No. | Part No. | Description | Remarks |
|--------------|--------------|------------------------------------------------------------|------------|----------|--------------|---------------------------------------------------------------|---------|
| A-4419-398-A | | DISPLAY BOARD, COMPLETE (DE835:AUS) | | | | < DIODE > | |
| A-4419-402-A | | DISPLAY BOARD, COMPLETE (DE835:E,PX) | | D102 | 8-719-053-18 | DIODE 1SR154-400TE-25 | |
| A-4419-397-A | | DISPLAY BOARD, COMPLETE (DE835:SP,MY/V828) | | D103 | 8-719-016-74 | DIODE 1SS352-TPH3 | |
| A-4419-396-A | | DISPLAY BOARD, COMPLETE (DE835:US,CND) | | D104 | 8-719-075-59 | DIODE SELS5B23CTP15 | |
| A-4419-403-A | | DISPLAY BOARD, COMPLETE (DE935) | | D105 | 8-719-313-45 | DIODE SEL6810A-TH10 (EQUALIZER) | |
| A-4419-961-A | | DISPLAY BOARD, COMPLETE (SE591) | | D106 | 8-719-313-45 | DIODE SEL6810A-TH10 (BASS BOOST) | |
| * | 4-921-941-01 | CUSHION (FL) | | D107 | 8-719-016-74 | DIODE 1SS352-TPH3 | |
| * | 4-990-797-01 | HOLDER (FL) | | D109 | 8-719-016-74 | DIODE 1SS352-TPH3 (DE935) | |
| | | < CAPACITOR > | | D112 | 8-719-016-74 | DIODE 1SS352-TPH3 (SE591) | |
| C101 | 1-126-786-11 | ELECT | 47uF 20% | D115 | 8-719-016-74 | DIODE 1SS352-TPH3 (DE835:AUS) | |
| C102 | 1-164-489-11 | CERAMIC CHIP | 0.22uF 10% | D116 | 8-719-016-74 | DIODE 1SS352-TPH3 (DE835:SP,MY/V828) | |
| C103 | 1-165-319-11 | CERAMIC CHIP | 0.1uF | D118 | 8-719-016-74 | DIODE 1SS352-TPH3 (DE835:SP,MY/V828) | |
| C104 | 1-165-319-11 | CERAMIC CHIP | 0.1uF | D180 | 8-719-016-74 | DIODE 1SS352-TPH3 | |
| C105 | 1-104-905-11 | CAPACITOR | 0.22F | | | < DIODE > | |
| C106 | 1-165-319-11 | CERAMIC CHIP | 0.1uF | DD11 | 8-719-016-74 | DIODE 1SS352-TPH3 (DE935) | |
| C107 | 1-126-786-11 | ELECT | 47uF 20% | DD12 | 8-719-016-74 | DIODE 1SS352-TPH3 (DE935) | |
| C108 | 1-165-319-11 | CERAMIC CHIP | 0.1uF | DD13 | 8-719-016-74 | DIODE 1SS352-TPH3 (DE935) | |
| C109 | 1-165-319-11 | CERAMIC CHIP | 0.1uF | DD14 | 8-719-064-57 | DIODE SID5K23CTP15 (DE935) | |
| C110 | 1-165-319-11 | CERAMIC CHIP | 0.1uF | DD15 | 8-719-059-14 | DIODE SID313BP-TP19 (DE935) | |
| C111 | 1-165-319-11 | CERAMIC CHIP | 0.1uF | DD16 | 8-719-059-14 | DIODE SID313BP-TP19 (DE935) | |
| C113 | 1-165-319-11 | CERAMIC CHIP | 0.1uF | | | < FILTER > | |
| C114 | 1-126-795-11 | ELECT | 10uF 20% | FL101 | 1-517-781-11 | INDICATOR TUBE, FLUORESCENT | |
| C115 | 1-163-021-91 | CERAMIC CHIP | 0.01uF 10% | | | < IC > | |
| C116 | 1-163-021-91 | CERAMIC CHIP | 0.01uF 10% | IC11 | 8-759-925-76 | IC SN74HC08ANSR (DE935) | |
| C117 | 1-165-319-11 | CERAMIC CHIP | 0.1uF | IC12 | 8-759-545-07 | IC TMP87C447U-4A06 (DE935) | |
| C118 | 1-165-319-11 | CERAMIC CHIP | 0.1uF | IC101 | 8-759-459-85 | IC NJL63H400A | |
| C119 | 1-165-319-11 | CERAMIC CHIP | 0.1uF | IC102 | 8-759-577-32 | IC MB90553APF-G-138-BND | |
| C120 | 1-126-786-11 | ELECT | 47uF 20% | IC103 | 8-759-075-35 | IC TD62C950RF | |
| C121 | 1-165-319-11 | CERAMIC CHIP | 0.1uF | IC104 | 8-759-389-51 | IC MSC1164GS-KR1 | |
| C122 | 1-165-319-11 | CERAMIC CHIP | 0.1uF | IC105 | 8-759-589-67 | IC BA6208F-E2 | |
| CC11 | 1-165-319-11 | CERAMIC CHIP | 0.1uF | | | < COIL > | |
| CC13 | 1-165-319-11 | CERAMIC CHIP | 0.1uF | L150 | 1-408-982-11 | INDUCTOR 100uH (DE935) | |
| CC14 | 1-104-942-11 | ELECT | 1uF 20% | | | < TRANSISTOR > | |
| CC15 | 1-104-942-11 | ELECT | 1uF 20% | Q101 | 8-729-216-22 | TRANSISTOR 2SA1162-YG-TE85L | |
| CC16 | 1-126-916-11 | ELECT | 1000uF 20% | Q102 | 8-729-027-23 | TRANSISTOR RT1P141C-TP-1 | |
| | | < CONNECTOR > | | Q108 | 8-729-027-43 | TRANSISTOR RT1N141C-TP-1 | |
| CNN1 | 1-564-718-11 | PIN, CONNECTOR (SMALL TYPE) 2P (DE835:US,CND/SE591) | | Q109 | 8-729-230-49 | TRANSISTOR 2SC2712-YG-TE85L | |
| CNP104 | 1-784-919-11 | CONNECTOR, PC BOARD (PLUG) 5P | | QQ1 | 8-729-216-22 | TRANSISTOR 2SA1162-YG-TE85L (DE835:US,CND/DE835:US,CND/SE591) | |
| * CNP105 | 1-564-719-11 | PIN, CONNECTOR (SMALL TYPE) 3P | | QQ11 | 8-729-230-49 | TRANSISTOR 2SC2712-YG-TE85L (DE935) | |
| CNP106 | 1-784-919-11 | CONNECTOR, PC BOARD (PLUG) 5P | | QQ13 | 8-729-801-93 | TRANSISTOR 2SD1387-34-TP (DE935) | |
| CNP110 | 1-785-821-11 | CONNECTOR, BOARD TO BOARD 6P | | QQ14 | 8-729-801-93 | TRANSISTOR 2SD1387-34-TP (DE935) | |
| CNP111 | 1-785-821-11 | CONNECTOR, BOARD TO BOARD 6P | | | | < RESISTOR > | |
| CNS101 | 1-568-741-11 | SOCKET, CONNECTOR 23P (DE835:US,CND/DE935/SE591) | | R101 | 1-216-049-91 | RES,CHIP 1K 5% 1/10W | |
| CNS101 | 1-569-308-11 | SOCKET, CONNECTOR (L TYRE) 19P (DE835:E,PX,SP,MY,AUS/V828) | | R102 | 1-216-049-91 | RES,CHIP 1K 5% 1/10W | |
| CNS103 | 1-770-397-11 | HOUSING, CONNECTOR(PC BOARD)4P | | R103 | 1-216-049-91 | RES,CHIP 1K 5% 1/10W | |
| | | | | R104 | 1-216-037-00 | METAL CHIP 330 5% 1/10W | |
| | | | | R105 | 1-216-049-91 | RES,CHIP 1K 5% 1/10W | |
| | | | | R106 | 1-216-065-91 | RES,CHIP 4.7K 5% 1/10W | |
| | | | | R107 | 1-216-065-91 | RES,CHIP 4.7K 5% 1/10W | |
| | | | | R108 | 1-216-065-91 | RES,CHIP 4.7K 5% 1/10W | |
| | | | | R109 | 1-216-065-91 | RES,CHIP 4.7K 5% 1/10W | |
| | | | | R110 | 1-216-065-91 | RES,CHIP 4.7K 5% 1/10W | |

DISPLAY

F-VIDEO

| Ref. No. | Part No. | Description | Remarks |
|----------|--------------|-------------|-----------------------------------------|
| R111 | 1-216-065-91 | RES,CHIP | 4.7K 5% 1/10W |
| R112 | 1-216-065-91 | RES,CHIP | 4.7K 5% 1/10W |
| R113 | 1-216-073-00 | METAL CHIP | 10K 5% 1/10W |
| R114 | 1-216-073-00 | METAL CHIP | 10K 5% 1/10W |
| R115 | 1-216-117-00 | METAL CHIP | 680K 5% 1/10W |
| R116 | 1-216-049-91 | RES,CHIP | 1K 5% 1/10W |
| R117 | 1-216-049-91 | RES,CHIP | 1K 5% 1/10W |
| R118 | 1-216-049-91 | RES,CHIP | 1K 5% 1/10W |
| R119 | 1-216-049-91 | RES,CHIP | 1K 5% 1/10W |
| R120 | 1-216-049-91 | RES,CHIP | 1K 5% 1/10W |
| R121 | 1-216-081-00 | METAL CHIP | 22K 5% 1/10W |
| R122 | 1-216-081-00 | METAL CHIP | 22K 5% 1/10W |
| R123 | 1-216-001-00 | METAL CHIP | 10 5% 1/10W |
| R124 | 1-216-073-00 | METAL CHIP | 10K 5% 1/10W |
| R125 | 1-216-065-91 | RES,CHIP | 4.7K 5% 1/10W |
| R126 | 1-216-073-00 | METAL CHIP | 10K 5% 1/10W |
| R127 | 1-216-037-00 | METAL CHIP | 330 5% 1/10W |
| R129 | 1-216-025-91 | RES,CHIP | 100 5% 1/10W |
| R130 | 1-216-097-91 | RES,CHIP | 100K 5% 1/10W |
| R137 | 1-216-073-00 | METAL CHIP | 10K 5% 1/10W |
| R138 | 1-216-049-91 | RES,CHIP | 1K 5% 1/10W |
| R141 | 1-216-065-91 | RES,CHIP | 4.7K 5% 1/10W |
| R143 | 1-216-073-00 | METAL CHIP | 10K 5% 1/10W |
| R144 | 1-216-001-00 | METAL CHIP | 10 5% 1/10W |
| R145 | 1-216-089-91 | RES,CHIP | 47K 5% 1/10W |
| R146 | 1-216-081-00 | METAL CHIP | 22K 5% 1/10W |
| R147 | 1-216-089-91 | RES,CHIP | 47K 5% 1/10W |
| R148 | 1-249-385-11 | CARBON | 2.2 5% 1/6W F |
| R149 | 1-249-385-11 | CARBON | 2.2 5% 1/6W F |
| R189 | 1-216-049-91 | RES,CHIP | 1K 5% 1/10W (DE935) |
| R190 | 1-216-097-91 | RES,CHIP | 100K 5% 1/10W |
| R191 | 1-216-097-91 | RES,CHIP | 100K 5% 1/10W |
| R192 | 1-216-097-91 | RES,CHIP | 100K 5% 1/10W |
| R193 | 1-216-049-91 | RES,CHIP | 1K 5% 1/10W |
| R194 | 1-216-049-91 | RES,CHIP | 1K 5% 1/10W |
| RR1 | 1-216-073-00 | METAL CHIP | 10K 5% 1/10W (DE835:US,CND/SE591) |
| RR11 | 1-216-025-91 | RES,CHIP | 100 5% 1/10W (DE835:US,CND/DE935/SE591) |
| RR12 | 1-216-025-91 | RES,CHIP | 100 5% 1/10W (DE835:US,CND/DE935/SE591) |
| RR13 | 1-216-025-91 | RES,CHIP | 100 5% 1/10W (DE835:US,CND/DE935/SE591) |
| RR14 | 1-216-025-91 | RES,CHIP | 100 5% 1/10W (DE835:US,CND/DE935/SE591) |
| RR15 | 1-216-073-00 | METAL CHIP | 10K 5% 1/10W (DE935) |
| RR16 | 1-216-065-91 | RES,CHIP | 4.7K 5% 1/10W (DE935) |
| RR17 | 1-216-073-00 | METAL CHIP | 10K 5% 1/10W (DE935) |
| RR18 | 1-216-073-00 | METAL CHIP | 10K 5% 1/10W (DE935) |
| RR19 | 1-216-309-00 | METAL CHIP | 5.6 5% 1/10W (DE935) |

| Ref. No. | Part No. | Description | Remarks |
|---------------|--------------|-----------------------------|------------------------------------|
| RR20 | 1-216-309-00 | METAL CHIP | 5.6 5% 1/10W (DE935) |
| RR21 | 1-216-298-00 | METAL CHIP | 2.2 5% 1/10W (DE935) |
| RR22 | 1-216-298-00 | METAL CHIP | 2.2 5% 1/10W (DE935) |
| RR23 | 1-216-097-91 | RES,CHIP | 100K 5% 1/10W (DE935) |
| RR24 | 1-216-089-91 | RES,CHIP | 47K 5% 1/10W |
| RR25 | 1-216-089-91 | RES,CHIP | 47K 5% 1/10W |
| RR26 | 1-216-089-91 | RES,CHIP | 47K 5% 1/10W |
| RR27 | 1-216-089-91 | RES,CHIP | 47K 5% 1/10W |
| RR28 | 1-216-089-91 | RES,CHIP | 47K 5% 1/10W |
| RR29 | 1-216-001-00 | METAL CHIP | 10 5% 1/10W (DE935) |
| RR30 | 1-216-001-00 | METAL CHIP | 10 5% 1/10W (DE935) |
| RR51 | 1-216-029-00 | METAL CHIP | 150 5% 1/10W |
| RR52 | 1-216-029-00 | METAL CHIP | 150 5% 1/10W |
| RR53 | 1-216-029-00 | METAL CHIP | 150 5% 1/10W |
| RR54 | 1-216-037-00 | METAL CHIP | 330 5% 1/10W |
| RR55 | 1-216-037-00 | METAL CHIP | 330 5% 1/10W |
| RR56 | 1-216-037-00 | METAL CHIP | 330 5% 1/10W |
| < SWITCH > | | | |
| S148 | 1-771-349-21 | SWITCH, KEYBOARD (DISPLAY) | (DE835:US,CND/DE935,E,PX,AUS/V828) |
| S149 | 1-771-349-21 | SWITCH, KEYBOARD (DIMMER) | (DE835:US,CND/DE935,E,PX,AUS/V828) |
| < VIBRATOR > | | | |
| X11 | 1-767-938-21 | VIBRATOR, CERAMIC 7.28MHz | (DE935) |
| X101 | 1-781-356-21 | VIBRATOR, CERAMIC 16MHz | (DE935/DE835/V828) |
| ***** | | | |
| | | 1-673-351-11 | F-VIDEO BOARD (DE935) |
| ***** | | | |
| < CAPACITOR > | | | |
| C299 | 1-165-319-11 | CERAMIC CHIP | 0.1uF 50V |
| CC40 | 1-163-251-11 | CERAMIC CHIP | 100PF 5% 50V |
| CC90 | 1-163-251-11 | CERAMIC CHIP | 100PF 5% 50V |
| < CONNECTOR > | | | |
| CNP307 | 1-564-721-11 | PIN, CONNECTOR (SMALL TYPE) | 5P |
| < DIODE > | | | |
| D120 | 8-719-016-74 | DIODE 1SS352-TPH3 | |
| D121 | 8-719-016-74 | DIODE 1SS352-TPH3 | |
| < EARTH > | | | |
| * EB201 | 1-537-738-21 | TERMINAL, EARTH | |
| < JACK > | | | |
| J299 | 1-770-571-11 | JACK BLOCK, PIN (L TYPE) 3P | (VIDEO3 INPUT) |
| < RESISTOR > | | | |
| R321 | 1-216-049-91 | RES,CHIP | 1K 5% 1/10W |
| R371 | 1-216-049-91 | RES,CHIP | 1K 5% 1/10W |

| | | | |
|-----|-------|-----|------|
| H.P | JOINT | LED | MAIN |
|-----|-------|-----|------|

| Ref. No. | Part No. | Description | Remarks |
|--------------|--------------------------------------------------|-----------------------------------------------|--------------------|
| * | 1-673-349-11 | H.P BOARD ***** < CONNECTOR > | |
| CNP751 | 1-779-978-11 | PIN, CONNECTOR 3P < EARTH > | |
| * EB701 | 1-537-738-21 | TERMINAL, EARTH < JACK > | |
| J701 | 1-750-735-11 | JACK (LARGE TYPE)(HEADPHONES) | |
| ***** | | | |
| | 1-673-940-11 | JOINT(H) BOARD ***** < CONNECTOR > | |
| CNP211 | 1-695-089-11 | PIN, CONNECTOR (PC BOARD) 11P | |
| CNP212 | 1-695-089-11 | PIN, CONNECTOR (PC BOARD) 11P | |
| ***** | | | |
| | 1-673-350-11 | LED BOARD ***** < CAPACITOR > | |
| C125 | 1-165-319-11 | CERAMIC CHIP 0.1uF | 50V |
| | | < LED > | |
| D100 | 8-719-070-83 | LED SELU5E20C-TP15 (MULTI CHANNEL DECODER) | |
| ***** | | | |
| A-4419-383-A | MAIN BOARD, COMPLETE (DE835:US/SE591) ***** | | |
| A-4419-384-A | MAIN BOARD, COMPLETE (DE835:CND) ***** | | |
| A-4419-385-A | MAIN BOARD, COMPLETE (DE835:SP,MY/V828) ***** | | |
| A-4419-386-A | MAIN BOARD, COMPLETE (DE835:AUS) ***** | | |
| A-4419-387-A | MAIN BOARD, COMPLETE (DE835:E,PX) ***** | | |
| A-4419-388-A | MAIN BOARD, COMPLETE (DE935) ***** | | |
| | 1-533-217-41 | HOLDER, FUSE | |
| | 7-685-872-09 | SCREW+BVTTv 3 x 8 (S) | |
| | | < CAPACITOR > | |
| C301 | 1-119-821-11 | ELECT MELF 2.2uF | 20% 50V |
| C303 | 1-128-832-11 | ELECT 220uF | 20% 10V |
| C304 | 1-125-896-91 | MYLAR 0.0091uF | 5% 50V |
| C305 | 1-136-159-00 | FILM 0.033uF | 5% 50V |
| C306 | 1-119-821-11 | ELECT MELF 2.2uF | 20% 50V |
| C307 | 1-164-070-11 | CERAMIC 100PF | 5% 50V |
| C308 | 1-162-286-31 | CERAMIC 220PF | 10% 50V |
| C310 | 1-162-294-31 | CERAMIC 0.001uF | 10% 50V |
| C311 | 1-128-858-11 | ELECT 22uF | 20% 50V |
| C320 | 1-128-858-11 | ELECT 22uF | 20% 50V (DE935) |

| Ref. No. | Part No. | Description | Remarks |
|----------|--------------|------------------|--------------------|
| C330 | 1-128-858-11 | ELECT 22uF | 20% 50V (DE935) |
| C331 | 1-128-858-11 | ELECT 22uF | 20% 50V |
| C340 | 1-128-840-11 | ELECT 47uF | 20% 16V (DE935) |
| C350 | 1-128-840-11 | ELECT 47uF | 20% 16V (DE935) |
| C351 | 1-119-821-11 | ELECT MELF 2.2uF | 20% 50V |
| C353 | 1-128-832-11 | ELECT 220uF | 20% 10V |
| C354 | 1-125-896-91 | MYLAR 0.0091uF | 5% 50V |
| C355 | 1-136-159-00 | FILM 0.033uF | 5% 50V |
| C356 | 1-119-821-11 | ELECT MELF 2.2uF | 20% 50V |
| C357 | 1-164-070-11 | CERAMIC 100PF | 5% 50V |
| C358 | 1-162-286-31 | CERAMIC 220PF | 10% 50V |
| C360 | 1-162-294-31 | CERAMIC 0.001uF | 10% 50V |
| C361 | 1-128-858-11 | ELECT 22uF | 20% 50V |
| C362 | 1-128-858-11 | ELECT 22uF | 20% 50V |
| C370 | 1-128-858-11 | ELECT 22uF | 20% 50V (DE935) |
| C380 | 1-128-858-11 | ELECT 22uF | 20% 50V (DE935) |
| C388 | 1-127-718-91 | ELECT MELF 100uF | 20% 16V |
| C389 | 1-127-718-91 | ELECT MELF 100uF | 20% 16V |
| C392 | 1-128-840-11 | ELECT 47uF | 20% 16V |
| C394 | 1-128-840-11 | ELECT 47uF | 20% 16V |
| C395 | 1-162-282-31 | CERAMIC 100PF | 10% 50V |
| C396 | 1-128-840-11 | ELECT 47uF | 20% 16V |
| C397 | 1-128-840-11 | ELECT 47uF | 20% 16V |
| C398 | 1-162-282-31 | CERAMIC 100PF | 10% 50V |
| C416 | 1-128-858-11 | ELECT 22uF | 20% 50V |
| C417 | 1-128-858-11 | ELECT 22uF | 20% 50V |
| C418 | 1-128-858-11 | ELECT 22uF | 20% 50V |
| C419 | 1-162-282-31 | CERAMIC 100PF | 10% 50V |
| C430 | 1-162-282-31 | CERAMIC 100PF | 10% 50V (DE935) |
| C466 | 1-128-858-11 | ELECT 22uF | 20% 50V |
| C467 | 1-128-858-11 | ELECT 22uF | 20% 50V |
| C468 | 1-128-858-11 | ELECT 22uF | 20% 50V |
| C481 | 1-136-173-00 | FILM 0.47uF | 5% 50V |
| C482 | 1-136-173-00 | FILM 0.47uF | 5% 50V |
| C496 | 1-127-718-91 | ELECT MELF 100uF | 20% 16V |
| C497 | 1-127-718-91 | ELECT MELF 100uF | 20% 16V |
| C499 | 1-128-840-11 | ELECT 47uF | 20% 16V |
| C501 | 1-128-858-11 | ELECT 22uF | 20% 50V |
| C502 | 1-102-108-00 | CERAMIC 150PF | 10% 50V |
| C503 | 1-102-233-00 | CERAMIC 33PF | 10% 500V |
| C504 | 1-107-586-11 | CERAMIC 6PF | 0.5PF 500V |
| C505 | 1-128-832-11 | ELECT 220uF | 20% 10V |
| C506 | 1-106-351-00 | MYLAR 2200PF | 5% 200V |
| C507 | 1-106-351-00 | MYLAR 2200PF | 5% 200V |
| C520 | 1-128-840-11 | ELECT 47uF | 20% 16V |
| C521 | 1-107-597-11 | CERAMIC 22PF | 10% 500V |
| C522 | 1-107-597-11 | CERAMIC 22PF | 10% 500V |
| C523 | 1-162-286-31 | CERAMIC 220PF | 10% 50V |
| C524 | 1-119-824-11 | ELECT MELF 10uF | 20% 50V |
| C525 | 1-136-157-00 | FILM 0.022uF | 5% 50V |

| Ref. No. | Part No. | Description | Remarks | Ref. No. | Part No. | Description | Remarks |
|---------------|--------------|-------------|------------------|----------|--------------|---------------------------|---------|
| C526 | 1-136-153-00 | FILM | 0.01uF 5% 50V | CC08 | 1-164-070-11 | CERAMIC 100PF 5% 50V | |
| C539 | 1-164-079-11 | CERAMIC | 330PF 10% 50V | CC09 | 1-164-070-11 | CERAMIC 100PF 5% 50V | |
| C549 | 1-102-934-00 | CERAMIC | 1.0PF 0.25PF 50V | CC10 | 1-164-070-11 | CERAMIC 100PF 5% 50V | |
| C551 | 1-128-858-11 | ELECT | 22uF 20% 50V | CC11 | 1-164-070-11 | CERAMIC 100PF 5% 50V | |
| C552 | 1-102-108-00 | CERAMIC | 150PF 10% 50V | CC12 | 1-164-070-11 | CERAMIC 100PF 5% 50V | |
| C553 | 1-102-233-00 | CERAMIC | 33PF 10% 500V | CC13 | 1-164-070-11 | CERAMIC 100PF 5% 50V | |
| C554 | 1-107-586-11 | CERAMIC | 6PF 0.5PF 500V | CC14 | 1-164-070-11 | CERAMIC 100PF 5% 50V | |
| C555 | 1-128-832-11 | ELECT | 220uF 20% 10V | | | | (DE935) |
| C556 | 1-106-351-00 | MYLAR | 2200PF 5% 200V | CC18 | 1-164-070-11 | CERAMIC 100PF 5% 50V | (DE935) |
| C557 | 1-106-351-00 | MYLAR | 2200PF 5% 200V | | | | (DE935) |
| C570 | 1-128-840-11 | ELECT | 47uF 20% 16V | CC54 | 1-164-070-11 | CERAMIC 100PF 5% 50V | |
| C571 | 1-107-597-11 | CERAMIC | 22PF 10% 500V | CC55 | 1-164-070-11 | CERAMIC 100PF 5% 50V | |
| C572 | 1-107-597-11 | CERAMIC | 22PF 10% 500V | CC56 | 1-164-070-11 | CERAMIC 100PF 5% 50V | |
| C573 | 1-162-286-31 | CERAMIC | 220PF 10% 50V | CC57 | 1-164-070-11 | CERAMIC 100PF 5% 50V | |
| C574 | 1-119-824-11 | ELECT MELF | 10uF 20% 50V | | | | (DE935) |
| C575 | 1-136-157-00 | FILM | 0.022uF 5% 50V | CC58 | 1-164-070-11 | CERAMIC 100PF 5% 50V | |
| C576 | 1-136-153-00 | FILM | 0.01uF 5% 50V | CC59 | 1-164-070-11 | CERAMIC 100PF 5% 50V | |
| C580 | 1-162-282-31 | CERAMIC | 100PF 10% 50V | CC60 | 1-164-070-11 | CERAMIC 100PF 5% 50V | |
| C589 | 1-164-079-11 | CERAMIC | 330PF 10% 50V | CC61 | 1-164-070-11 | CERAMIC 100PF 5% 50V | |
| C590 | 1-128-834-11 | ELECT | 470uF 20% 10V | CC62 | 1-164-070-11 | CERAMIC 100PF 5% 50V | |
| C594 | 1-128-883-11 | ELECT | 22uF 20% 100V | CC63 | 1-164-070-11 | CERAMIC 100PF 5% 50V | |
| C595 | 1-128-883-11 | ELECT | 22uF 20% 100V | CC64 | 1-164-070-11 | CERAMIC 100PF 5% 50V | |
| C598 | 1-128-858-11 | ELECT | 22uF 20% 50V | | | | (DE935) |
| C599 | 1-102-934-00 | CERAMIC | 1.0PF 0.25PF 50V | CC68 | 1-164-070-11 | CERAMIC 100PF 5% 50V | (DE935) |
| C601 | 1-128-858-11 | ELECT | 22uF 20% 50V | | | | (DE935) |
| < CONNECTOR > | | | | | | | |
| C602 | 1-102-108-00 | CERAMIC | 150PF 10% 50V | CNP303 | 1-779-977-11 | PIN, CONNECTOR 6P | |
| C603 | 1-102-233-00 | CERAMIC | 33PF 10% 500V | CNP601 | 1-785-104-11 | PIN, CONNECTOR 6P | |
| C604 | 1-107-586-11 | CERAMIC | 6PF 0.5PF 500V | CNP602 | 1-785-102-21 | PIN, CONNECTOR 4P | |
| C605 | 1-128-832-11 | ELECT | 220uF 20% 10V | CNP751 | 1-779-978-11 | PIN, CONNECTOR 3P | |
| C606 | 1-106-351-00 | MYLAR | 2200PF 5% 200V | CNP801 | 1-785-102-11 | PIN, CONNECTOR 4P | |
| C607 | 1-106-351-00 | MYLAR | 2200PF 5% 200V | CNP802 | 1-785-103-11 | PIN, CONNECTOR 5P | |
| C620 | 1-128-840-11 | ELECT | 47uF 20% 16V | CNS305 | 1-779-978-11 | PIN, CONNECTOR 3P (DE935) | |
| C621 | 1-107-597-11 | CERAMIC | 22PF 10% 500V | CNS306 | 1-784-778-11 | CONNECTOR, FFC 17P | |
| C622 | 1-107-597-11 | CERAMIC | 22PF 10% 500V | | | | |
| C623 | 1-162-286-31 | CERAMIC | 220PF 10% 50V | | | | |
| < DIODE > | | | | | | | |
| C624 | 1-119-824-11 | ELECT MELF | 10uF 20% 50V | D301 | 8-719-911-19 | DIODE 1SS133T-72 (DE935) | |
| C625 | 1-136-157-00 | FILM | 0.022uF 5% 50V | D490 | 8-719-210-21 | DIODE 11EQS04-NTA2B | |
| C626 | 1-136-153-00 | FILM | 0.01uF 5% 50V | D491 | 8-719-210-21 | DIODE 11EQS04-NTA2B | |
| C639 | 1-164-079-11 | CERAMIC | 330PF 10% 50V | D494 | 8-719-210-21 | DIODE 11EQS04-NTA2B | |
| C649 | 1-102-934-00 | CERAMIC | 1.0PF 0.25PF 50V | D495 | 8-719-210-21 | DIODE 11EQS04-NTA2B | |
| C651 | 1-128-858-11 | ELECT | 22uF 20% 50V | D496 | 8-719-210-21 | DIODE 11EQS04-NTA2B | |
| C652 | 1-102-108-00 | CERAMIC | 150PF 10% 50V | D497 | 8-719-210-21 | DIODE 11EQS04-NTA2B | |
| C653 | 1-102-233-00 | CERAMIC | 33PF 10% 500V | D501 | 8-719-911-19 | DIODE 1SS133T-72 | |
| C654 | 1-107-586-11 | CERAMIC | 6PF 0.5PF 500V | D502 | 8-719-109-51 | DIODE MTZJ-T-72-2.2 | |
| C655 | 1-128-832-11 | ELECT | 220uF 20% 10V | D503 | 8-719-109-51 | DIODE MTZJ-T-72-2.2 | |
| C680 | 1-162-282-31 | CERAMIC | 100PF 10% 50V | D504 | 8-719-911-19 | DIODE 1SS133T-72 | |
| C689 | 1-164-079-11 | CERAMIC | 330PF 10% 50V | D505 | 8-719-911-19 | DIODE 1SS133T-72 | |
| C699 | 1-102-934-00 | CERAMIC | 1.0PF 0.25PF 50V | D506 | 8-719-911-19 | DIODE 1SS133T-72 | |
| C801 | 1-136-153-00 | FILM | 0.01uF 5% 50V | D545 | 8-719-911-19 | DIODE 1SS133T-72 | |
| C802 | 1-136-153-00 | FILM | 0.01uF 5% 50V | D546 | 8-719-911-19 | DIODE 1SS133T-72 | |
| C803 | 1-136-153-00 | FILM | 0.01uF 5% 50V | D547 | 8-719-911-19 | DIODE 1SS133T-72 | |
| C804 | 1-136-153-00 | FILM | 0.01uF 5% 50V | D548 | 8-719-911-19 | DIODE 1SS133T-72 | |
| C811 | 1-127-732-51 | ELECT MELF | 2200uF 20% 35V | D549 | 8-719-911-19 | DIODE 1SS133T-72 | |
| C812 | 1-127-731-51 | ELECT MELF | 1000uF 20% 35V | D551 | 8-719-911-19 | DIODE 1SS133T-72 | |
| C813 | 1-127-723-51 | ELECT MELF | 4700uF 20% 16V | D552 | 8-719-109-51 | DIODE MTZJ-T-72-2.2 | |
| C993 | 1-126-960-11 | ELECT | 1uF 20% 50V | | | | |
| CC04 | 1-164-070-11 | CERAMIC | 100PF 5% 50V | | | | |
| CC05 | 1-164-070-11 | CERAMIC | 100PF 5% 50V | | | | |
| CC06 | 1-164-070-11 | CERAMIC | 100PF 5% 50V | | | | |
| CC07 | 1-164-070-11 | CERAMIC | 100PF 5% 50V | | | | (DE935) |

MAIN

| Ref. No. | Part No. | Description | Remarks | Ref. No. | Part No. | Description | Remarks |
|----------|--------------|----------------------------------------------------|---------|----------|--------------|--------------------------------------------------------------------|---------|
| D553 | 8-719-109-51 | DIODE MTZJ-T-72-2.2 | | IC415 | 8-759-534-63 | IC TC9299P | |
| D554 | 8-719-911-19 | DIODE 1SS133T-72 | | IC416 | 8-759-534-63 | IC TC9299P | |
| D555 | 8-719-911-19 | DIODE 1SS133T-72 | | IC501 | 8-759-326-52 | IC uPC2581V | |
| D556 | 8-719-911-19 | DIODE 1SS133T-72 | | IC601 | 8-759-326-52 | IC uPC2581V | |
| D598 | 8-719-911-19 | DIODE 1SS133T-72 | | | | < JACK > | |
| D599 | 8-719-911-19 | DIODE 1SS133T-72 | | J301 | 1-784-429-11 | JACK, PIN 4P (CD/PHONO IN) | |
| D601 | 8-719-911-19 | DIODE 1SS133T-72 | | J302 | 1-784-429-11 | JACK, PIN 4P (MD/DAT IN/REC OUT) | |
| D602 | 8-719-109-51 | DIODE MTZJ-T-72-2.2 | | J303 | 1-784-429-11 | JACK, PIN 4P (TAPE IN/REC OUT)(DE935) | |
| D603 | 8-719-109-51 | DIODE MTZJ-T-72-2.2 | | J304 | 1-784-920-11 | JACK, PIN 6P (VIDEO1 AUDIO IN/OUT,VIDEO2 AUDIO IN) | |
| D604 | 8-719-911-19 | DIODE 1SS133T-72 | | J305 | 1-784-920-11 | JACK, PIN 6P (VIDEO2 AUDIO OUT,DVD/LD AUDIO IN,TV/SAT AUDIO IN) | |
| D605 | 8-719-911-19 | DIODE 1SS133T-72 | | J306 | 1-774-822-11 | JACK, PIN 2P (2ND AUDIO OUT)(DE935) | |
| D606 | 8-719-911-19 | DIODE 1SS133T-72 | | | | < COIL > | |
| D607 | 8-719-911-19 | DIODE 1SS133T-72 | | L501 | 1-420-872-00 | COIL, AIR-CORE | |
| D608 | 8-719-911-19 | DIODE 1SS133T-72 | | L501 | 1-411-906-11 | COIL, AIR-CORE (DE835:SP,MY/V828) | |
| D649 | 8-719-911-19 | DIODE 1SS133T-72 | | L551 | 1-420-872-00 | COIL, AIR-CORE | |
| D681 | 8-719-911-19 | DIODE 1SS133T-72 | | L551 | 1-411-906-11 | COIL, AIR-CORE (DE835:SP,MY/V828) | |
| D698 | 8-719-911-19 | DIODE 1SS133T-72 | | | | < TRANSISTOR > | |
| D802 | 8-719-024-99 | DIODE 11ES2-NTA2B | | Q301 | 8-729-119-79 | TRANSISTOR 2SC2785TP-FEK (DE935) | |
| D803 | 8-719-024-99 | DIODE 11ES2-NTA2B | | Q501 | 8-729-900-36 | TRANSISTOR BA1F4M-TP | |
| D804 | 8-719-024-99 | DIODE 11ES2-NTA2B | | Q503 | 8-729-900-63 | TRANSISTOR BN1F4M-TP | |
| D805 | 8-719-024-99 | DIODE 11ES2-NTA2B | | Q504 | 8-729-119-76 | TRANSISTOR 2SA1115TP-EF | |
| D806 | 8-719-024-99 | DIODE 11ES2-NTA2B | | Q505 | 8-729-026-08 | TRANSISTOR 2SC4495 | |
| D807 | 8-719-024-99 | DIODE 11ES2-NTA2B | | Q506 | 8-749-010-25 | TRANSISTOR MN2488-OPY-M | |
| D808 | 8-719-024-99 | DIODE 11ES2-NTA2B | | Q507 | 8-749-010-26 | TRANSISTOR MP1620-OPY-M | |
| D809 | 8-719-024-99 | DIODE 11ES2-NTA2B | | Q508 | 8-729-140-82 | TRANSISTOR 2SA988TP-PAFAEA | |
| | | < EARTH > | | Q509 | 8-729-281-53 | TRANSISTOR 2SC1815GR-TPE2 | |
| * EB301 | 1-537-738-21 | TERMINAL, EARTH | | Q510 | 8-729-900-63 | TRANSISTOR BN1F4M-TP | |
| * EB302 | 1-537-738-21 | TERMINAL, EARTH | | Q511 | 8-729-900-63 | TRANSISTOR BN1F4M-TP | |
| | | < FUSE > | | Q546 | 8-729-119-79 | TRANSISTOR 2SC2785TP-FEK | |
| △ F803 | 1-532-504-51 | FUSE TIME LAG 4A/250V (E,PX,SP,MY,AUS,CH) | | Q547 | 8-729-140-84 | TRANSISTOR 2SC1841TP-PAFAEA | |
| △ F803 | 1-533-419-11 | FUSE, GLASS CYLINDRICAL(DIA.5) 4A/125V (US,CND) | | Q548 | 8-729-119-79 | TRANSISTOR 2SC2785TP-FEK | |
| △ F804 | 1-532-504-51 | FUSE TIME LAG 4A/250V (E,PX,SP,MY,AUS,CH) | | Q549 | 8-729-140-82 | TRANSISTOR 2SA988TP-PAFAEA | |
| △ F804 | 1-533-419-11 | FUSE, GLASS CYLINDRICAL(DIA.5) 4A/125V (US,CND) | | Q554 | 8-729-119-76 | TRANSISTOR 2SA1115TP-EF | |
| △ F805 | 1-532-504-51 | FUSE TIME LAG 4A/250V (E,PX,SP,MY,AUS,CH) | | Q555 | 8-729-026-08 | TRANSISTOR 2SC4495 | |
| △ F805 | 1-533-419-11 | FUSE, GLASS CYLINDRICAL(DIA.5) 4A/125V (US,CND) | | Q556 | 8-749-010-25 | TRANSISTOR MN2488-OPY-M | |
| | | < IC > | | Q557 | 8-749-010-26 | TRANSISTOR MP1620-OPY-M | |
| IC301 | 8-759-582-64 | IC TC9273N-004 | | Q558 | 8-729-140-82 | TRANSISTOR 2SA988TP-PAFAEA | |
| IC302 | 8-759-636-74 | IC M5218AP-22 | | Q559 | 8-729-281-53 | TRANSISTOR 2SC1815GR-TPE2 | |
| IC303 | 8-759-582-65 | IC TC9273N-014 | | Q560 | 8-729-900-63 | TRANSISTOR BN1F4M-TP | |
| IC304 | 8-759-636-74 | IC M5218AP-22 | | Q561 | 8-729-900-63 | TRANSISTOR BN1F4M-TP | |
| IC309 | 8-759-636-74 | IC M5218AP-22 (DE935) | | Q596 | 8-729-119-79 | TRANSISTOR 2SC2785TP-FEK | |
| IC330 | 8-759-582-66 | IC TC9273N-013 (DE935) | | Q598 | 8-729-140-82 | TRANSISTOR 2SA988TP-PAFAEA | |
| IC401 | 8-759-231-59 | IC M5F7815L | | Q599 | 8-729-140-82 | TRANSISTOR 2SA988TP-PAFAEA | |
| IC402 | 8-759-245-87 | IC M5F7915L | | Q601 | 8-729-119-79 | TRANSISTOR 2SC2785TP-FEK | |
| IC404 | 8-759-708-05 | IC NJM78L05A-T3 | | Q604 | 8-729-119-76 | TRANSISTOR 2SA1115TP-EF | |
| IC414 | 8-759-534-63 | IC TC9299P | | Q605 | 8-729-026-08 | TRANSISTOR 2SC4495 | |
| | | | | Q606 | 8-749-010-25 | TRANSISTOR MN2488-OPY-M | |
| | | | | Q607 | 8-749-010-26 | TRANSISTOR MP1620-OPY-M | |
| | | | | Q608 | 8-729-140-82 | TRANSISTOR 2SA988TP-PAFAEA | |
| | | | | Q609 | 8-729-281-53 | TRANSISTOR 2SC1815GR-TPE2 | |
| | | | | Q610 | 8-729-900-63 | TRANSISTOR BN1F4M-TP | |
| | | | | Q611 | 8-729-900-63 | TRANSISTOR BN1F4M-TP | |

The components identified by mark △ or dotted line with mark △ are critical for safety. Replace only with part number specified.

Les composants identifiés par une marque △ sont critiques pour la sécurité. Ne les remplacer que par une pièce portant le numéro spécifié.

以阴影和 △ 标志来识别的零部件，在安全方面具有关键性。因此只能以规定号码的零部件来更换。

| Ref. No. | Part No. | Description | Remarks | Ref. No. | Part No. | Description | Remarks |
|--------------|--------------|----------------------------|-------------------|----------|--------------|------------------------|-------------------|
| Q613 | 8-729-281-53 | TRANSISTOR 2SC1815GR-TPE2 | | R357 | 1-247-807-31 | CARBON 100 | 5% 1/4W |
| Q645 | 8-729-119-79 | TRANSISTOR 2SC2785TP-FEK | | R358 | 1-249-441-11 | CARBON 100K | 5% 1/4W |
| Q681 | 8-729-119-79 | TRANSISTOR 2SC2785TP-FEK | | R359 | 1-249-413-11 | CARBON 470 | 5% 1/4W F |
| Q698 | 8-729-140-82 | TRANSISTOR 2SA988TP-PAFAEA | | R360 | 1-249-417-11 | CARBON 1K | 5% 1/4W F |
| Q745 | 8-729-119-79 | TRANSISTOR 2SC2785TP-FEK | | R361 | 1-249-417-11 | CARBON 1K | 5% 1/4W F |
| Q992 | 8-729-119-79 | TRANSISTOR 2SC2785TP-FEK | | R362 | 1-249-417-11 | CARBON 1K | 5% 1/4W F |
| < RESISTOR > | | | | R363 | 1-249-417-11 | CARBON 1K | 5% 1/4W F (DE935) |
| R200 | 1-249-397-11 | CARBON 22 | 5% 1/4W F (DE935) | R364 | 1-249-417-11 | CARBON 1K | 5% 1/4W F (DE935) |
| R300 | 1-249-397-11 | CARBON 22 | 5% 1/4W F (DE935) | R366 | 1-249-417-11 | CARBON 1K | 5% 1/4W F |
| R301 | 1-249-401-11 | CARBON 47 | 5% 1/4W F | R367 | 1-249-417-11 | CARBON 1K | 5% 1/4W F |
| R302 | 1-249-441-11 | CARBON 100K | 5% 1/4W | R368 | 1-249-417-11 | CARBON 1K | 5% 1/4W F |
| R303 | 1-249-440-11 | CARBON 82K | 5% 1/4W | R369 | 1-249-417-11 | CARBON 1K | 5% 1/4W F |
| R304 | 1-249-408-11 | CARBON 180 | 5% 1/4W F | R370 | 1-249-417-11 | CARBON 1K | 5% 1/4W F |
| R305 | 1-249-428-11 | CARBON 8.2K | 5% 1/4W F | R371 | 1-247-807-31 | CARBON 100 | 5% 1/4W (DE935) |
| R306 | 1-249-441-11 | CARBON 100K | 5% 1/4W | R375 | 1-249-417-11 | CARBON 1K | 5% 1/4W F |
| R307 | 1-247-807-31 | CARBON 100 | 5% 1/4W | R380 | 1-247-887-00 | CARBON 220K | 5% 1/4W (DE935) |
| R308 | 1-249-441-11 | CARBON 100K | 5% 1/4W | R381 | 1-247-887-00 | CARBON 220K | 5% 1/4W |
| R309 | 1-249-413-11 | CARBON 470 | 5% 1/4W F | R385 | 1-247-887-00 | CARBON 220K | 5% 1/4W |
| R310 | 1-249-417-11 | CARBON 1K | 5% 1/4W F | R386 | 1-249-437-11 | CARBON 47K | 5% 1/4W |
| R311 | 1-249-417-11 | CARBON 1K | 5% 1/4W F | R387 | 1-249-441-11 | CARBON 100K | 5% 1/4W (DE935) |
| R312 | 1-249-417-11 | CARBON 1K | 5% 1/4W F (DE935) | R388 | 1-249-441-11 | CARBON 100K | 5% 1/4W (DE935) |
| R314 | 1-249-417-11 | CARBON 1K | 5% 1/4W F (DE935) | R391 | 1-249-437-11 | CARBON 47K | 5% 1/4W |
| R315 | 1-249-393-11 | CARBON 10 | 5% 1/4W F (DE935) | R392 | 1-249-425-11 | CARBON 4.7K | 5% 1/4W F (DE935) |
| R316 | 1-249-417-11 | CARBON 1K | 5% 1/4W F | R394 | 1-249-397-11 | CARBON 22 | 5% 1/4W F |
| R317 | 1-249-417-11 | CARBON 1K | 5% 1/4W F | R395 | 1-249-397-11 | CARBON 22 | 5% 1/4W F |
| R318 | 1-249-417-11 | CARBON 1K | 5% 1/4W F | R396 | 1-249-417-11 | CARBON 1K | 5% 1/4W F |
| R319 | 1-249-417-11 | CARBON 1K | 5% 1/4W F | R398 | 1-249-417-11 | CARBON 1K | 5% 1/4W F |
| R320 | 1-249-417-11 | CARBON 1K | 5% 1/4W F | R413 | 1-249-417-11 | CARBON 1K | 5% 1/4W F (DE935) |
| R321 | 1-247-807-31 | CARBON 100 | 5% 1/4W (DE935) | R430 | 1-247-887-00 | CARBON 220K | 5% 1/4W (DE935) |
| R325 | 1-249-417-11 | CARBON 1K | 5% 1/4W F | R480 | 1-247-887-00 | CARBON 220K | 5% 1/4W (DE935) |
| R330 | 1-247-887-00 | CARBON 220K | 5% 1/4W (DE935) | R501 | 1-249-417-11 | CARBON 1K | 5% 1/4W F |
| R331 | 1-247-887-00 | CARBON 220K | 5% 1/4W | R502 | 1-249-439-11 | CARBON 68K | 5% 1/4W |
| R335 | 1-247-887-00 | CARBON 220K | 5% 1/4W | R503 | 1-249-439-11 | CARBON 68K | 5% 1/4W |
| R336 | 1-249-429-11 | CARBON 10K | 5% 1/4W (DE935) | R504 | 1-247-843-11 | CARBON 3.3K | 5% 1/4W |
| R337 | 1-249-425-11 | CARBON 4.7K | 5% 1/4W F (DE935) | R505 | 1-249-437-11 | CARBON 47K | 5% 1/4W |
| R342 | 1-249-425-11 | CARBON 4.7K | 5% 1/4W F (DE935) | R509 | 1-247-807-31 | CARBON 100 | 5% 1/4W |
| R344 | 1-247-807-31 | CARBON 100 | 5% 1/4W | R520 | 1-249-429-11 | CARBON 10K | 5% 1/4W |
| R345 | 1-247-807-31 | CARBON 100 | 5% 1/4W | R521 | 1-249-422-11 | CARBON 2.7K | 5% 1/4W F |
| R346 | 1-249-397-11 | CARBON 22 | 5% 1/4W F | R522 | 1-249-433-11 | CARBON 22K | 5% 1/4W |
| R347 | 1-249-397-11 | CARBON 22 | 5% 1/4W F | R523 | 1-249-442-11 | CARBON 510 | 5% 1/4W |
| R351 | 1-249-401-11 | CARBON 47 | 5% 1/4W F | △ R524 | 1-249-408-11 | CARBON 180 | 5% 1/4W F |
| R352 | 1-249-441-11 | CARBON 100K | 5% 1/4W | △ R525 | 1-249-408-11 | CARBON 180 | 5% 1/4W F |
| R353 | 1-249-440-11 | CARBON 82K | 5% 1/4W | △ R526 | 1-234-182-11 | ENCAPSULATED COMPONENT | |
| R354 | 1-249-408-11 | CARBON 180 | 5% 1/4W F | R527 | 1-240-855-91 | CARBON 6.2K | 5% 1/4W |
| R355 | 1-249-428-11 | CARBON 8.2K | 5% 1/4W F | R528 | 1-249-425-11 | CARBON 4.7K | 5% 1/4W F |
| R356 | 1-249-441-11 | CARBON 100K | 5% 1/4W | | | | |

The components identified by mark △ or dotted line with mark △ are critical for safety. Replace only with part number specified.

Les composants identifiés par une marque △ sont critiques pour la sécurité. Ne les remplacer que par une pièce portant le numéro spécifié.

以阴影和 △标志来识别的零部件，在安全方面具有关键性。因此只能以规定号码的零部件来更换。

MAIN

| Ref. No. | Part No. | Description | Remarks | Ref. No. | Part No. | Description | Remarks |
|----------|--------------|------------------------|----------------|----------|--------------|------------------------|--------------------------------------------|
| R529 | 1-247-866-11 | CARBON | 30K 5% 1/4W | R622 | 1-247-881-00 | CARBON | 120K 5% 1/4W |
| R530 | 1-249-421-11 | CARBON | 2.2K 5% 1/4W F | R623 | 1-249-442-11 | CARBON | 510 5% 1/4W |
| R531 | 1-249-433-11 | CARBON | 22K 5% 1/4W | △ R624 | 1-249-408-11 | CARBON | 180 5% 1/4W F |
| R532 | 1-249-437-11 | CARBON | 47K 5% 1/4W | △ R625 | 1-249-408-11 | CARBON | 180 5% 1/4W F |
| △ R533 | 1-249-393-11 | CARBON | 10 5% 1/4W F | △ R626 | 1-234-182-11 | ENCAPSULATED COMPONENT | |
| △ R534 | 1-249-389-11 | CARBON | 4.7 5% 1/4W F | R627 | 1-240-855-91 | CARBON | 6.2K 5% 1/4W |
| R535 | 1-249-431-11 | CARBON | 15K 5% 1/4W | R628 | 1-249-425-11 | CARBON | 4.7K 5% 1/4W F |
| R539 | 1-249-427-11 | CARBON | 6.8K 5% 1/4W F | R629 | 1-247-866-11 | CARBON | 30K 5% 1/4W |
| R540 | 1-249-417-11 | CARBON | 1K 5% 1/4W F | R630 | 1-249-421-11 | CARBON | 2.2K 5% 1/4W F |
| R541 | 1-249-429-11 | CARBON | 10K 5% 1/4W | R631 | 1-249-433-11 | CARBON | 22K 5% 1/4W |
| R542 | 1-249-429-11 | CARBON | 10K 5% 1/4W | R632 | 1-249-437-11 | CARBON | 47K 5% 1/4W |
| R547 | 1-249-425-11 | CARBON | 4.7K 5% 1/4W F | △ R633 | 1-249-393-11 | CARBON | 10 5% 1/4W F |
| R548 | 1-249-429-11 | CARBON | 10K 5% 1/4W | R635 | 1-249-431-11 | CARBON | 15K 5% 1/4W |
| △ R549 | 1-249-393-11 | CARBON | 10 5% 1/4W F | R636 | 1-249-433-11 | CARBON | 22K 5% 1/4W |
| R551 | 1-249-417-11 | CARBON | 1K 5% 1/4W F | R642 | 1-216-453-00 | METAL OXIDE | 270 5% 2W F (DE935/DE835:US,E,PX/SE591) |
| R552 | 1-249-439-11 | CARBON | 68K 5% 1/4W | R642 | 1-216-454-11 | METAL OXIDE | 390 5% 2W F (DE835:CND,SP,MY/V828) |
| R553 | 1-249-439-11 | CARBON | 68K 5% 1/4W | R642 | 1-215-889-00 | METAL OXIDE | 330 5% 2W F (DE835:AUS) |
| R554 | 1-247-843-11 | CARBON | 3.3K 5% 1/4W | R643 | 1-249-433-11 | CARBON | 22K 5% 1/4W |
| R555 | 1-247-881-00 | CARBON | 120K 5% 1/4W | R647 | 1-249-429-11 | CARBON | 10K 5% 1/4W |
| R556 | 1-247-881-00 | CARBON | 120K 5% 1/4W | R648 | 1-249-425-11 | CARBON | 4.7K 5% 1/4W F |
| R559 | 1-247-807-31 | CARBON | 100 5% 1/4W | △ R649 | 1-249-393-11 | CARBON | 10 5% 1/4W F |
| R570 | 1-249-429-11 | CARBON | 10K 5% 1/4W | R650 | 1-249-425-11 | CARBON | 4.7K 5% 1/4W F |
| R571 | 1-249-422-11 | CARBON | 2.7K 5% 1/4W F | R651 | 1-249-417-11 | CARBON | 1K 5% 1/4W F |
| R572 | 1-249-433-11 | CARBON | 22K 5% 1/4W | R652 | 1-249-439-11 | CARBON | 68K 5% 1/4W |
| R573 | 1-249-442-11 | CARBON | 510 5% 1/4W | R653 | 1-249-439-11 | CARBON | 68K 5% 1/4W |
| △ R574 | 1-249-408-11 | CARBON | 180 5% 1/4W F | R654 | 1-247-843-11 | CARBON | 3.3K 5% 1/4W |
| △ R575 | 1-249-408-11 | CARBON | 180 5% 1/4W F | R655 | 1-249-409-11 | CARBON | 220 5% 1/4W F |
| △ R576 | 1-234-182-11 | ENCAPSULATED COMPONENT | | R656 | 1-249-409-11 | CARBON | 220 5% 1/4W F |
| R577 | 1-240-855-91 | CARBON | 6.2K 5% 1/4W | R657 | 1-249-429-11 | CARBON | 10K 5% 1/4W |
| R578 | 1-249-425-11 | CARBON | 4.7K 5% 1/4W F | △ R658 | 1-249-393-11 | CARBON | 10 5% 1/4W F |
| R579 | 1-247-866-11 | CARBON | 30K 5% 1/4W | R659 | 1-247-807-31 | CARBON | 100 5% 1/4W |
| R580 | 1-249-421-11 | CARBON | 2.2K 5% 1/4W F | R672 | 1-249-433-11 | CARBON | 22K 5% 1/4W |
| R581 | 1-249-433-11 | CARBON | 22K 5% 1/4W | R680 | 1-249-429-11 | CARBON | 10K 5% 1/4W |
| R582 | 1-249-437-11 | CARBON | 47K 5% 1/4W | R681 | 1-249-425-11 | CARBON | 4.7K 5% 1/4W F |
| △ R583 | 1-249-393-11 | CARBON | 10 5% 1/4W F | △ R682 | 1-249-393-11 | CARBON | 10 5% 1/4W F |
| △ R584 | 1-249-389-11 | CARBON | 4.7 5% 1/4W F | R690 | 1-249-433-11 | CARBON | 22K 5% 1/4W |
| R585 | 1-249-431-11 | CARBON | 15K 5% 1/4W | R695 | 1-249-419-11 | CARBON | 1.5K 5% 1/4W F |
| R586 | 1-249-429-11 | CARBON | 10K 5% 1/4W | R696 | 1-249-431-11 | CARBON | 15K 5% 1/4W |
| R587 | 1-249-425-11 | CARBON | 4.7K 5% 1/4W F | R739 | 1-215-868-00 | METAL OXIDE | 680 5% 1W F |
| △ R588 | 1-249-393-11 | CARBON | 10 5% 1/4W F | R747 | 1-249-429-11 | CARBON | 10K 5% 1/4W |
| R590 | 1-249-433-11 | CARBON | 22K 5% 1/4W | R748 | 1-249-425-11 | CARBON | 4.7K 5% 1/4W F |
| R592 | 1-249-381-11 | CARBON | 1 5% 1/4W F | R789 | 1-215-868-00 | METAL OXIDE | 680 5% 1W F |
| R593 | 1-249-381-11 | CARBON | 1 5% 1/4W F | R991 | 1-249-417-11 | CARBON | 1K 5% 1/4W F |
| R594 | 1-249-425-11 | CARBON | 4.7K 5% 1/4W F | R992 | 1-249-439-11 | CARBON | 68K 5% 1/4W |
| R595 | 1-249-419-11 | CARBON | 1.5K 5% 1/4W F | R993 | 1-249-433-11 | CARBON | 22K 5% 1/4W |
| R596 | 1-249-431-11 | CARBON | 15K 5% 1/4W | R995 | 1-249-441-11 | CARBON | 100K 5% 1/4W |
| R597 | 1-249-419-11 | CARBON | 1.5K 5% 1/4W F | R996 | 1-249-429-11 | CARBON | 10K 5% 1/4W |
| R599 | 1-249-431-11 | CARBON | 15K 5% 1/4W | | | | |
| R601 | 1-249-417-11 | CARBON | 1K 5% 1/4W F | | | | |
| R602 | 1-249-439-11 | CARBON | 68K 5% 1/4W | | | | |
| R603 | 1-249-439-11 | CARBON | 68K 5% 1/4W | | | | |
| R604 | 1-249-418-11 | CARBON | 1.2K 5% 1/4W F | | | | |
| R609 | 1-247-807-31 | CARBON | 100 5% 1/4W | | | | |
| R620 | 1-249-429-11 | CARBON | 10K 5% 1/4W | | | | |
| R621 | 1-249-422-11 | CARBON | 2.7K 5% 1/4W F | | | | |

The components identified by mark △ or dotted line with mark △ are critical for safety. Replace only with part number specified.

Les composants identifiés par une marque △ sont critiques pour la sécurité. Ne les remplacer que par une pièce portant le numéro spécifié.

以阴影和 △ 标志来识别的零部件，在安全方面具有关键性。因此只能以规定号码的零部件来更换。

MAIN

MUTING

REAR-AMP

| Ref. No. | Part No. | Description | Remarks |
|----------|--------------|-------------------------------|---------|
| | | < RELAY > | |
| RY301 | 1-515-793-11 | RELAY (DE935) | |
| RY501 | 1-515-920-11 | RELAY (24V) | |
| RY502 | 1-515-920-11 | RELAY (24V) | |
| RY601 | 1-515-920-11 | RELAY (24V) | |
| RY602 | 1-515-793-11 | RELAY | |
| RY681 | 1-515-793-11 | RELAY | |
| ***** | | | |
| * | 1-673-346-11 | MUTING BOARD | |
| | | ***** | |
| | | < LED > | |
| D101 | 8-719-313-45 | LED SEL6810A-TH10 (MUTING) | |
| | | < RESISTOR > | |
| R134 | 1-216-041-00 | METAL CHIP 470 5% | 1/10W |
| R135 | 1-216-045-00 | METAL CHIP 680 5% | 1/10W |
| R136 | 1-216-049-91 | RES,CHIP 1K 5% | 1/10W |
| | | < SWITCH > | |
| S145 | 1-771-349-21 | SWITCH, KEYBOARD (EQUALIZER) | |
| | | (EXCEPT DE835:SP,MY/V828) | |
| S146 | 1-771-349-21 | SWITCH, KEYBOARD (BASS BOOST) | |
| | | (EXCEPT DE835:SP,MY/V828) | |
| S147 | 1-771-349-21 | SWITCH, KEYBOARD (MUTING) | |
| | | (EXCEPT DE835:SP,MY/V828) | |
| ***** | | | |
| * | A-4419-391-A | REAR-AMP BOARD, COMPLETE | |
| | | ***** | |
| | | < CAPACITOR > | |
| C701 | 1-128-858-11 | ELECT 22uF 20% | 50V |
| C702 | 1-128-811-11 | CERAMIC 150PF 5% | 50V |
| C703 | 1-102-233-00 | CERAMIC 33PF 10% | 500V |
| C704 | 1-107-586-11 | CERAMIC 6PF 0.5PF | 500V |
| C705 | 1-128-832-11 | ELECT 220uF 20% | 10V |
| C706 | 1-106-351-00 | MYLAR 2200PF 5% | 200V |
| C707 | 1-106-351-00 | MYLAR 2200PF 5% | 200V |
| C708 | 1-109-876-11 | FILM 0.033uF 10% | 250V |
| C720 | 1-104-664-11 | ELECT 47uF 20% | 16V |
| C721 | 1-107-597-11 | CERAMIC 22PF 10% | 500V |
| C722 | 1-107-597-11 | CERAMIC 22PF 10% | 500V |
| C723 | 1-162-286-31 | CERAMIC 220PF 10% | 50V |
| C724 | 1-119-824-11 | ELECT MELF 10uF 20% | 50V |
| C725 | 1-136-157-00 | FILM 0.022uF 5% | 50V |
| C726 | 1-136-153-00 | FILM 0.01uF 5% | 50V |
| C739 | 1-162-288-31 | CERAMIC 330PF 10% | 50V |
| C749 | 1-102-934-00 | CERAMIC 1.0PF +-0.25PF | 50V |
| C751 | 1-128-858-11 | ELECT 22uF 20% | 50V |
| C752 | 1-128-811-11 | CERAMIC 150PF 5% | 50V |
| C753 | 1-102-233-00 | CERAMIC 33PF 10% | 500V |
| C754 | 1-107-586-11 | CERAMIC 6PF 0.5PF | 500V |
| C755 | 1-128-832-11 | ELECT 220uF 20% | 10V |
| C756 | 1-106-351-00 | MYLAR 2200PF 5% | 200V |
| C757 | 1-106-351-00 | MYLAR 2200PF 5% | 200V |
| C758 | 1-109-876-11 | FILM 0.033uF 10% | 250V |

| Ref. No. | Part No. | Description | Remarks |
|----------|--------------|----------------------------|---------|
| C770 | 1-104-664-11 | ELECT 47uF 20% | 16V |
| C771 | 1-107-597-11 | CERAMIC 22PF 10% | 500V |
| C772 | 1-107-597-11 | CERAMIC 22PF 10% | 500V |
| C773 | 1-162-286-31 | CERAMIC 220PF 10% | 50V |
| C775 | 1-136-157-00 | FILM 0.022uF 5% | 50V |
| C779 | 1-102-934-00 | CERAMIC 1.0PF +-0.25PF | 50V |
| C780 | 1-128-809-11 | CERAMIC 100PF 5% | 50V |
| C789 | 1-162-288-31 | CERAMIC 330PF 10% | 50V |
| C798 | 1-128-883-11 | ELECT 22uF 20% | 100V |
| C799 | 1-128-883-11 | ELECT 22uF 20% | 100V |
| | | < CONNECTOR > | |
| CNP701 | 1-785-102-11 | PIN, CONNECTOR 4P | |
| CNP711 | 1-784-923-11 | PIN, CONNECTOR 7P | |
| CNP712 | 1-785-102-21 | PIN, CONNECTOR 4P | |
| CNP713 | 1-784-924-11 | PIN, CONNECTOR 8P | |
| | | < DIODE > | |
| D701 | 8-719-911-19 | DIODE 1SS133T-72 | |
| D702 | 8-719-109-51 | DIODE MTZJ-T-72-2.2 | |
| D703 | 8-719-109-51 | DIODE MTZJ-T-72-2.2 | |
| D704 | 8-719-911-19 | DIODE 1SS133T-72 | |
| D705 | 8-719-911-19 | DIODE 1SS133T-72 | |
| D706 | 8-719-911-19 | DIODE 1SS133T-72 | |
| D749 | 8-719-911-19 | DIODE 1SS133T-72 | |
| D751 | 8-719-911-19 | DIODE 1SS133T-72 | |
| D752 | 8-719-109-51 | DIODE MTZJ-T-72-2.2 | |
| D753 | 8-719-109-51 | DIODE MTZJ-T-72-2.2 | |
| D754 | 8-719-911-19 | DIODE 1SS133T-72 | |
| D798 | 8-719-911-19 | DIODE 1SS133T-72 | |
| D799 | 8-719-911-19 | DIODE 1SS133T-72 | |
| | | < IC > | |
| IC701 | 8-759-326-52 | IC uPC2581V | |
| | | < TRANSISTOR > | |
| Q704 | 8-729-119-76 | TRANSISTOR 2SA1115TP-EF | |
| Q705 | 8-729-026-08 | TRANSISTOR 2SC4495 | |
| Q706 | 8-749-010-25 | TRANSISTOR MN2488-OPY-M | |
| Q707 | 8-749-010-26 | TRANSISTOR MP1620-OPY-M | |
| Q708 | 8-729-140-82 | TRANSISTOR 2SA988TP-PAFAEA | |
| Q709 | 8-729-281-53 | TRANSISTOR 2SC1815GR-TPE2 | |
| Q710 | 8-729-900-63 | TRANSISTOR BN1F4M-TP | |
| Q754 | 8-729-119-76 | TRANSISTOR 2SA1115TP-EF | |
| Q755 | 8-729-026-08 | TRANSISTOR 2SC4495 | |
| Q756 | 8-749-010-25 | TRANSISTOR MN2488-OPY-M | |
| Q757 | 8-749-010-26 | TRANSISTOR MP1620-OPY-M | |
| Q758 | 8-729-140-82 | TRANSISTOR 2SA988TP-PAFAEA | |
| Q798 | 8-729-140-82 | TRANSISTOR 2SA988TP-PAFAEA | |
| Q799 | 8-729-140-82 | TRANSISTOR 2SA988TP-PAFAEA | |
| | | < RESISTOR > | |
| R701 | 1-249-417-11 | CARBON 1K 5% | 1/4W F |
| R702 | 1-247-881-00 | CARBON 120K 5% | 1/4W |
| R703 | 1-249-439-11 | CARBON 68K 5% | 1/4W |
| R704 | 1-249-418-11 | CARBON 1.2K 5% | 1/4W F |
| R705 | 1-247-807-31 | CARBON 100 5% | 1/4W |

| | | | |
|-----------------|---------------|-----------|--------------|
| REAR-AMP | ROTARY | SP | SP-SW |
|-----------------|---------------|-----------|--------------|

| Ref. No. | Part No. | Description | | | Remarks |
|----------|--------------|------------------------|------|----|---------|
| R712 | 1-249-439-11 | CARBON | 68K | 5% | 1/4W |
| R720 | 1-249-429-11 | CARBON | 10K | 5% | 1/4W |
| R721 | 1-249-422-11 | CARBON | 2.7K | 5% | 1/4W F |
| R722 | 1-249-433-11 | CARBON | 22K | 5% | 1/4W |
| R723 | 1-249-442-11 | CARBON | 510 | 5% | 1/4W |
| △R724 | 1-249-408-11 | CARBON | 180 | 5% | 1/4W F |
| △R725 | 1-249-408-11 | CARBON | 180 | 5% | 1/4W F |
| △R726 | 1-234-182-11 | ENCAPSULATED COMPONENT | | | |
| R727 | 1-240-855-91 | CARBON | 6.2K | 5% | 1/4W |
| R728 | 1-249-425-11 | CARBON | 4.7K | 5% | 1/4W F |
| R729 | 1-247-866-11 | CARBON | 30K | 5% | 1/4W |
| R730 | 1-249-421-11 | CARBON | 2.2K | 5% | 1/4W F |
| R731 | 1-249-433-11 | CARBON | 22K | 5% | 1/4W |
| R732 | 1-249-437-11 | CARBON | 47K | 5% | 1/4W |
| △R733 | 1-249-393-11 | CARBON | 10 | 5% | 1/4W F |
| R735 | 1-249-431-11 | CARBON | 15K | 5% | 1/4W |
| △R749 | 1-249-393-11 | CARBON | 10 | 5% | 1/4W F |
| R751 | 1-249-417-11 | CARBON | 1K | 5% | 1/4W F |
| R752 | 1-247-881-00 | CARBON | 120K | 5% | 1/4W |
| R753 | 1-249-439-11 | CARBON | 68K | 5% | 1/4W |
| R754 | 1-249-418-11 | CARBON | 1.2K | 5% | 1/4W F |
| R755 | 1-247-807-31 | CARBON | 100 | 5% | 1/4W |
| R762 | 1-249-439-11 | CARBON | 68K | 5% | 1/4W |
| R770 | 1-249-429-11 | CARBON | 10K | 5% | 1/4W |
| R771 | 1-249-422-11 | CARBON | 2.7K | 5% | 1/4W F |
| R772 | 1-249-433-11 | CARBON | 22K | 5% | 1/4W |
| R773 | 1-249-442-11 | CARBON | 510 | 5% | 1/4W |
| △R774 | 1-249-408-11 | CARBON | 180 | 5% | 1/4W F |
| △R775 | 1-249-408-11 | CARBON | 180 | 5% | 1/4W F |
| △R776 | 1-234-182-11 | ENCAPSULATED COMPONENT | | | |
| R777 | 1-240-855-91 | CARBON | 6.2K | 5% | 1/4W |
| R778 | 1-249-425-11 | CARBON | 4.7K | 5% | 1/4W F |
| R782 | 1-249-437-11 | CARBON | 47K | 5% | 1/4W |
| △R783 | 1-249-393-11 | CARBON | 10 | 5% | 1/4W F |
| R790 | 1-249-433-11 | CARBON | 22K | 5% | 1/4W |
| R795 | 1-249-419-11 | CARBON | 1.5K | 5% | 1/4W F |
| R796 | 1-249-431-11 | CARBON | 15K | 5% | 1/4W |
| R798 | 1-249-419-11 | CARBON | 1.5K | 5% | 1/4W F |
| R799 | 1-249-431-11 | CARBON | 15K | 5% | 1/4W |
| | | < RELAY > | | | |
| RY701 | 1-515-920-11 | RELAY (24V) | | | |
| | | < TEST PIN > | | | |
| * TP701 | 1-560-060-00 | PIN, CONNECTOR 2P | | | |
| * TP751 | 1-560-060-00 | PIN, CONNECTOR 2P | | | |

| Ref. No. | Part No. | Description | | | Remarks |
|----------|--------------|-------------------------------------------|-------|----|----------------------------------|
| * | 1-673-348-11 | ROTARY BOARD | | | ***** |
| | | < CONNECTOR > | | | |
| * CNP155 | 1-564-719-11 | PIN, CONNECTOR (SMALL TYPE) 3P | | | |
| | | < VARIABLE RESISTOR > | | | |
| RV101 | 1-467-808-11 | ENCODER, ROTARY (JOG DIAL) | | | (EXCEPT DE835:SP,MY/SE591) |
| | | ***** | | | |
| * | 1-673-355-11 | SP BOARD | | | ***** |
| | | < CAPACITOR > | | | |
| CC41 | 1-163-133-00 | CERAMIC CHIP | 470PF | 5% | 50V (EXCEPT DE835:SP,MY/V828) |
| CC42 | 1-163-133-00 | CERAMIC CHIP | 470PF | 5% | 50V (EXCEPT DE835:SP,MY/V828) |
| CC43 | 1-163-133-00 | CERAMIC CHIP | 470PF | 5% | 50V |
| CC47 | 1-163-133-00 | CERAMIC CHIP | 470PF | 5% | 50V |
| CC97 | 1-163-133-00 | CERAMIC CHIP | 470PF | 5% | 50V |
| CC251 | 1-163-251-11 | CERAMIC CHIP | 100PF | 5% | 50V |
| | | < JACK > | | | |
| JJ103 | 1-774-819-11 | JACK, PIN 2P (AUDIO OUT,WOOFER) | | | |
| | | < COIL > | | | |
| L601 | 1-420-872-00 | COIL, AIR-CORE | | | |
| L601 | 1-411-906-11 | COIL, AIR-CORE (EXCEPT DE835:SP,MY/SE591) | | | |
| L701 | 1-420-872-00 | COIL, AIR-CORE | | | |
| L701 | 1-411-906-11 | COIL, AIR-CORE (EXCEPT DE835:SP,MY/SE591) | | | |
| L751 | 1-420-872-00 | COIL, AIR-CORE | | | |
| L751 | 1-411-906-11 | COIL, AIR-CORE (EXCEPT DE835:SP,MY/SE591) | | | |
| | | < RESISTOR > | | | |
| R634 | 1-249-389-11 | CARBON | 4.7 | 5% | 1/4W F |
| R734 | 1-249-389-11 | CARBON | 4.7 | 5% | 1/4W F |
| R784 | 1-249-389-11 | CARBON | 4.7 | 5% | 1/4W F |
| RR251 | 1-216-049-91 | RES,CHIP | 1K | 5% | 1/10W |
| | | < TERMINAL > | | | |
| * TM501 | 1-694-454-21 | TERMINAL BOARD (SP)(FRONT SPEAKERS) | | | |
| TM701 | 1-694-528-11 | TERMINAL BOARD (SPEAKER)(6P) | | | (CENTER,REAR) |
| | | ***** | | | |
| * | 1-673-347-11 | SP-SW BOARD | | | ***** |
| | | < SWITCH > | | | |
| S150 | 1-771-349-21 | SWITCH, KEYBOARD (POWER) | | | (EXCEPT DE835:SP,MY/SE591) |
| S151 | 1-762-268-11 | SWITCH, ROTARY (SPEAKERS) | | | (EXCEPT DE835:SP,MY/SE591) |
| | | ***** | | | |

| | | |
|----------------------------------------------------------------------------------------------------------------------------------|--------------------------------------------------------------------------------------------------------------------------------------------|----------------------------------------------|
| The components identified by mark △ or dotted line with mark △ are critical for safety. Replace only with part number specified. | Les composants identifiés par une marque △ sont critiques pour la sécurité. Ne les remplacer que par une pièce portant le numéro spécifié. | 以阴影和 △标志来识别的零部件，在安全方面具有关键性。因此只能以规定号码的零部件来更换。 |
|----------------------------------------------------------------------------------------------------------------------------------|--------------------------------------------------------------------------------------------------------------------------------------------|----------------------------------------------|

S-VIDEO

| Ref. No. | Part No. | Description | Remarks | Ref. No. | Part No. | Description | Remarks |
|--------------|--------------|--------------------------------------------------------|----------------------------------------------|----------|--------------|-----------------------------------------------------------|---------|
| A-4419-433-A | | S-VIDEO BOARD, COMPLETE (DE835:E,PX,SP,MY,AUS/V828) | | | | < JACK > | |
| | | ***** | | | | | |
| A-4419-434-A | | S-VIDEO BOARD, COMPLETE (DE835:US,CND/SE591) | | J251 | 1-537-943-11 | TERMINAL, S (S VIDEO OUT) | |
| | | ***** | | J252 | 1-764-676-11 | CONNECTOR (ROUND TYPE)(S VIDEO IN/OUT) | |
| A-4419-435-A | | S-VIDEO BOARD, COMPLETE (DE935) | | J253 | 1-537-943-11 | TERMINAL, S (S VIDEO IN) | |
| | | ***** | | J255 | 1-563-330-11 | JACK (CONTL S OUT) (DE835:US,CND/DE935/SE591) | |
| | | < CAPACITOR > | | J256 | 1-563-330-11 | JACK (CONTL S OUT) (DE835:US,CND/DE935/SE591) | |
| C214 | 1-104-664-11 | ELECT | 47uF 20% 16V | J257 | 1-563-330-11 | JACK (CONTL S IN) (DE835:US,CND/DE935/SE591) | |
| C251 | 1-136-165-00 | FILM | 0.1uF 5% 50V | J258 | 1-563-330-11 | JACK (CONTL S STATUS IN) (DE835:US,CND/DE935/SE591) | |
| C252 | 1-136-165-00 | FILM | 0.1uF 5% 50V | | | < TRANSISTOR > | |
| C253 | 1-126-964-11 | ELECT | 10uF 20% 50V | Q251 | 8-729-216-22 | TRANSISTOR 2SA1162-YG-TE85L (DE835:US,CND/DE935/SE591) | |
| C254 | 1-136-165-00 | FILM | 0.1uF 5% 50V | Q252 | 8-729-216-22 | TRANSISTOR 2SA1162-YG-TE85L (DE835:US,CND/DE935/SE591) | |
| C255 | 1-136-165-00 | FILM | 0.1uF 5% 50V | Q253 | 8-729-216-22 | TRANSISTOR 2SA1162-YG-TE85L (DE835:US,CND/DE935/SE591) | |
| C256 | 1-126-964-11 | ELECT | 10uF 20% 50V | Q254 | 8-729-230-49 | TRANSISTOR 2SC2712-YG-TE85L (DE835:US,CND/DE935/SE591) | |
| C257 | 1-136-165-00 | FILM | 0.1uF 5% 50V | Q255 | 8-729-230-49 | TRANSISTOR 2SC2712-YG-TE85L (DE835:US,CND/DE935/SE591) | |
| C258 | 1-126-964-11 | ELECT | 10uF 20% 50V | | | | |
| C259 | 1-126-964-11 | ELECT | 10uF 20% 50V | Q256 | 8-729-216-22 | TRANSISTOR 2SA1162-YG-TE85L (DE835:US,CND/DE935/SE591) | |
| C260 | 1-136-165-00 | FILM | 0.1uF 5% 50V | Q257 | 8-729-216-22 | TRANSISTOR 2SA1162-YG-TE85L (DE835:US,CND/DE935/SE591) | |
| C261 | 1-104-664-11 | ELECT | 47uF 20% 16V | Q258 | 8-729-230-49 | TRANSISTOR 2SC2712-YG-TE85L (DE835:US,CND/DE935/SE591) | |
| C262 | 1-165-319-11 | CERAMIC CHIP | 0.1uF 50V | | | < RESISTOR > | |
| C263 | 1-165-319-11 | CERAMIC CHIP | 0.1uF 50V | R209 | 1-216-022-00 | METAL CHIP 75 5% 1/10W | |
| C264 | 1-165-319-11 | CERAMIC CHIP | 0.1uF 50V | R210 | 1-216-022-00 | METAL CHIP 75 5% 1/10W | |
| C265 | 1-165-319-11 | CERAMIC CHIP | 0.1uF 50V | R251 | 1-216-022-00 | METAL CHIP 75 5% 1/10W | |
| C266 | 1-165-319-11 | CERAMIC CHIP | 0.1uF 50V | R252 | 1-216-073-00 | METAL CHIP 10K 5% 1/10W | |
| C267 | 1-163-133-00 | CERAMIC CHIP | 470PF 5% 50V | R253 | 1-216-022-00 | METAL CHIP 75 5% 1/10W | |
| C268 | 1-163-133-00 | CERAMIC CHIP | 470PF 5% 50V | R254 | 1-216-022-00 | METAL CHIP 75 5% 1/10W | |
| C269 | 1-163-133-00 | CERAMIC CHIP | 470PF 5% 50V | R255 | 1-216-022-00 | METAL CHIP 75 5% 1/10W | |
| C270 | 1-163-133-00 | CERAMIC CHIP | 470PF 5% 50V | R256 | 1-216-073-00 | METAL CHIP 10K 5% 1/10W | |
| C271 | 1-163-275-11 | CERAMIC CHIP | 0.001uF 5% 50V (DE835:US,CND/DE935/SE591) | R257 | 1-216-022-00 | METAL CHIP 75 5% 1/10W | |
| C272 | 1-163-275-11 | CERAMIC CHIP | 0.001uF 5% 50V (DE835:US,CND/DE935/SE591) | R258 | 1-216-022-00 | METAL CHIP 75 5% 1/10W | |
| C273 | 1-126-964-11 | ELECT | 10uF 20% 50V (DE835:US,CND/DE935/SE591) | R259 | 1-216-022-00 | METAL CHIP 75 5% 1/10W | |
| C274 | 1-163-275-11 | CERAMIC CHIP | 0.001uF 5% 50V (DE835:US,CND/DE935/SE591) | R260 | 1-216-022-00 | METAL CHIP 75 5% 1/10W | |
| C275 | 1-163-275-11 | CERAMIC CHIP | 0.001uF 5% 50V (DE835:US,CND/DE935/SE591) | R261 | 1-216-022-00 | METAL CHIP 75 5% 1/10W | |
| | | < CONNECTOR > | | R262 | 1-216-022-00 | METAL CHIP 75 5% 1/10W | |
| CNP213 | 1-564-718-11 | PIN, CONNECTOR (SMALL TYPE) 2P (DE935) | | R263 | 1-216-073-00 | METAL CHIP 10K 5% 1/10W (DE835:US,CND/DE935/SE591) | |
| CNS211 | 1-695-094-11 | SOCKET, CONNECTOR 11P | | R264 | 1-216-061-00 | METAL CHIP 3.3K 5% 1/10W (DE835:US,CND/DE935/SE591) | |
| CNS215 | 1-784-776-11 | CONNECTOR, FFC 15P | | R265 | 1-216-049-91 | RES,CHIP 1K 5% 1/10W (DE835:US,CND/DE935/SE591) | |
| | | < DIODE > | | R266 | 1-216-049-91 | RES,CHIP 1K 5% 1/10W (DE835:US,CND/DE935/SE591) | |
| D251 | 8-719-801-78 | DIODE 1SS184-TE85L | | R267 | 1-216-049-91 | RES,CHIP 1K 5% 1/10W (DE835:US,CND/DE935/SE591) | |
| | | < IC > | | R268 | 1-216-089-91 | RES,CHIP 47K 5% 1/10W (DE835:US,CND/DE935/SE591) | |
| IC202 | 8-759-245-79 | IC M5F7905L | | | | | |
| IC251 | 8-759-536-24 | IC NJM-2296M-TE2 | | | | | |
| IC252 | 8-759-536-24 | IC NJM-2296M-TE2 | | | | | |
| IC253 | 8-759-356-27 | IC NJM2129M-TE2 (DE835:US,CND/DE935/SE591) | | | | | |
| IC254 | 8-759-135-80 | IC LM358P (DE835:US,CND/DE935/SE591) | | | | | |

S-VIDEO

SW

| Ref. No. | Part No. | Description | Remarks |
|--------------|------------------------------------------------|--------------------------------------------------------|---------|
| R269 | 1-216-081-00 | METAL CHIP 22K 5% 1/10W (DE835:US,CND/DE935/SE591) | |
| R270 | 1-216-069-00 | METAL CHIP 6.8K 5% 1/10W (DE835:US,CND/DE935/SE591) | |
| R271 | 1-216-049-91 | RES,CHIP 1K 5% 1/10W (DE835:US,CND/DE935/SE591) | |
| R272 | 1-216-049-91 | RES,CHIP 1K 5% 1/10W (DE835:US,CND/DE935/SE591) | |
| R273 | 1-216-043-91 | RES,CHIP 560 5% 1/10W (DE835:US,CND/DE935/SE591) | |
| R274 | 1-216-041-00 | METAL CHIP 470 5% 1/10W (DE835:US,CND/DE935/SE591) | |
| R275 | 1-216-049-91 | RES,CHIP 1K 5% 1/10W (DE835:US,CND/DE935/SE591) | |
| R276 | 1-216-049-91 | RES,CHIP 1K 5% 1/10W (DE835:US,CND/DE935/SE591) | |
| R277 | 1-216-041-00 | METAL CHIP 470 5% 1/10W (DE835:US,CND/DE935/SE591) | |
| R278 | 1-216-043-91 | RES,CHIP 560 5% 1/10W (DE835:US,CND/DE935/SE591) | |
| R279 | 1-216-061-00 | METAL CHIP 3.3K 5% 1/10W (DE835:US,CND/DE935/SE591) | |
| R280 | 1-216-073-00 | METAL CHIP 10K 5% 1/10W (DE835:US,CND/DE935/SE591) | |
| ***** | | | |
| A-4419-404-A | SW BOARD, COMPLETE (DE835/SE591/V828) ***** | | |
| A-4419-406-A | SW BOARD, COMPLETE (DE935) ***** | | |
| | < CAPACITOR > | | |
| C151 | 1-165-319-11 | CERAMIC CHIP 0.1uF | 50V |
| C152 | 1-165-319-11 | CERAMIC CHIP 0.1uF | 50V |
| C153 | 1-165-319-11 | CERAMIC CHIP 0.1uF | 50V |
| C154 | 1-165-319-11 | CERAMIC CHIP 0.1uF | 50V |
| C155 | 1-165-319-11 | CERAMIC CHIP 0.1uF | 50V |
| C156 | 1-165-319-11 | CERAMIC CHIP 0.1uF | 50V |
| C158 | 1-165-319-11 | CERAMIC CHIP 0.1uF | 50V |
| C159 | 1-163-251-11 | CERAMIC CHIP 100PF 5% | 50V |
| C160 | 1-163-251-11 | CERAMIC CHIP 100PF 5% | 50V |
| | < CONNECTOR > | | |
| CNS110 | 1-770-399-11 | HOUSING, CONNECTOR(PC BOARD)6P | |
| CNS111 | 1-770-399-11 | HOUSING, CONNECTOR(PC BOARD)6P | |
| | < LED > | | |
| D151 | 8-719-063-91 | LED SLR325DC-P-T32 (LELVEL) | |
| D152 | 8-719-063-91 | LED SLR325DC-P-T32 (SUR) | |
| D154 | 8-719-032-98 | LED SEL5820A-TP15 (A.F.D.) | |
| D155 | 8-719-063-91 | LED SLR325DC-P-T32 (MD/TAPE) | |
| D156 | 8-719-032-98 | LED SEL5820A-TP15 (2CH) | |
| D157 | 8-719-063-91 | LED SLR325DC-P-T32 (SET UP) | |
| D158 | 8-719-063-91 | LED SLR325DC-P-T32 (EQ) | |
| D159 | 8-719-063-91 | LED SLR325DC-P-T32 (5.1CH INPUT) | |
| D160 | 8-719-063-91 | LED SLR325DC-P-T32 (PHONO) | |
| D161 | 8-719-063-91 | LED SLR325DC-P-T32 (TUNER) | |
| D162 | 8-719-063-91 | LED SLR325DC-P-T32 (CD) | |
| D163 | 8-719-063-91 | LED SLR325DC-P-T32 (TAPE)(DE935) | |
| D164 | 8-719-073-95 | LED SPR-335MDTT31 (VIDEO1) | |
| D165 | 8-719-073-95 | LED SPR-335MDTT31 (VIDEO2) | |
| D166 | 8-719-073-95 | LED SPR-335MDTT31 (VIDEO3)(DE935) | |

| Ref. No. | Part No. | Description | Remarks |
|----------|--------------|----------------------------|---------------------|
| D167 | 8-719-073-95 | LED SPR-335MDTT31 (DVD/LD) | |
| D168 | 8-719-073-95 | LED SPR-335MDTT31 (TV/SAT) | |
| D169 | 8-719-063-91 | LED SLR325DC-P-T32 (NAME) | |
| D170 | 8-719-032-98 | LED SEL5820A-TP15 (MODE) | |
| | < IC > | | |
| IC106 | 8-759-373-50 | IC NJU3719L | |
| | < RESISTOR > | | |
| R100 | 1-216-089-91 | RES,CHIP 47K | 5% 1/10W |
| R151 | 1-216-037-00 | METAL CHIP 330 | 5% 1/10W |
| R152 | 1-216-041-00 | METAL CHIP 470 | 5% 1/10W |
| R153 | 1-216-045-00 | METAL CHIP 680 | 5% 1/10W |
| R154 | 1-216-049-91 | RES,CHIP 1K | 5% 1/10W |
| R155 | 1-216-053-00 | METAL CHIP 1.5K | 5% 1/10W |
| R156 | 1-216-057-00 | METAL CHIP 2.2K | 5% 1/10W |
| R157 | 1-216-065-91 | RES,CHIP 4.7K | 5% 1/10W |
| R158 | 1-216-037-00 | METAL CHIP 330 | 5% 1/10W |
| R159 | 1-216-041-00 | METAL CHIP 470 | 5% 1/10W |
| R160 | 1-216-045-00 | METAL CHIP 680 | 5% 1/10W |
| R161 | 1-216-049-91 | RES,CHIP 1K | 5% 1/10W |
| R162 | 1-216-053-00 | METAL CHIP 1.5K | 5% 1/10W |
| R163 | 1-216-057-00 | METAL CHIP 2.2K | 5% 1/10W |
| R164 | 1-216-065-91 | RES,CHIP 4.7K | 5% 1/10W |
| R165 | 1-216-037-00 | METAL CHIP 330 | 5% 1/10W |
| R166 | 1-216-041-00 | METAL CHIP 470 | 5% 1/10W |
| R167 | 1-216-045-00 | METAL CHIP 680 | 5% 1/10W |
| R168 | 1-216-049-91 | RES,CHIP 1K | 5% 1/10W |
| R169 | 1-216-053-00 | METAL CHIP 1.5K | 5% 1/10W |
| R170 | 1-216-057-00 | METAL CHIP 2.2K | 5% 1/10W |
| R171 | 1-216-065-91 | RES,CHIP 4.7K | 5% 1/10W |
| R172 | 1-216-037-00 | METAL CHIP 330 | 5% 1/10W |
| R173 | 1-216-041-00 | METAL CHIP 470 | 5% 1/10W |
| R174 | 1-216-045-00 | METAL CHIP 680 | 5% 1/10W |
| R175 | 1-216-049-91 | RES,CHIP 1K | 5% 1/10W (DE935) |
| R176 | 1-216-053-00 | METAL CHIP 1.5K | 5% 1/10W (DE935) |
| R177 | 1-216-057-00 | METAL CHIP 2.2K | 5% 1/10W (DE935) |
| R178 | 1-216-037-00 | METAL CHIP 330 | 5% 1/10W |
| R179 | 1-216-041-00 | METAL CHIP 470 | 5% 1/10W |
| R180 | 1-216-045-00 | METAL CHIP 680 | 5% 1/10W |
| R181 | 1-216-049-91 | RES,CHIP 1K | 5% 1/10W |
| R182 | 1-216-053-00 | METAL CHIP 1.5K | 5% 1/10W |
| R183 | 1-216-057-00 | METAL CHIP 2.2K | 5% 1/10W |
| R184 | 1-216-037-00 | METAL CHIP 330 | 5% 1/10W |
| R185 | 1-216-041-00 | METAL CHIP 470 | 5% 1/10W |
| R186 | 1-216-045-00 | METAL CHIP 680 | 5% 1/10W |
| R187 | 1-216-049-91 | RES,CHIP 1K | 5% 1/10W |
| R188 | 1-216-053-00 | METAL CHIP 1.5K | 5% 1/10W |
| RR61 | 1-216-037-00 | METAL CHIP 330 | 5% 1/10W |
| RR62 | 1-216-029-00 | METAL CHIP 150 | 5% 1/10W |
| RR63 | 1-216-037-00 | METAL CHIP 330 | 5% 1/10W |
| RR64 | 1-216-025-91 | RES,CHIP 100 | 5% 1/10W |
| RR65 | 1-216-029-00 | METAL CHIP 150 | 5% 1/10W |
| RR66 | 1-216-025-91 | RES,CHIP 100 | 5% 1/10W |

| | | | |
|-----------|--------------|-----------------|--------------|
| SW | TUNER | V.SWITCH | VIDEO |
|-----------|--------------|-----------------|--------------|

| Ref. No. | Part No. | Description | Remarks | Ref. No. | Part No. | Description | Remarks |
|----------|--------------|-------------------------------------|---------|----------|----------|--------------|--------------------------------|
| RR67 | 1-216-029-00 | METAL CHIP | 150 5% | 1/10W | S141 | 1-771-349-21 | SWITCH, KEYBOARD (TUNING -) |
| RR68 | 1-216-025-91 | RES,CHIP | 100 5% | 1/10W | S142 | 1-771-349-21 | SWITCH, KEYBOARD (TUNING +) |
| | | | | (DE935) | S143 | 1-771-349-21 | SWITCH, KEYBOARD (PRESET -) |
| RR69 | 1-216-029-00 | METAL CHIP | 150 5% | 1/10W | S144 | 1-771-349-21 | SWITCH, KEYBOARD (LEVEL) |
| | | | | (DE935) | ***** | | |
| RR70 | 1-216-025-91 | RES,CHIP | 100 5% | 1/10W | * | 1-673-358-11 | TUNER BOARD |
| RR71 | 1-216-029-00 | METAL CHIP | 150 5% | 1/10W | | | ***** |
| | | | | | | | < CAPACITOR > |
| RR72 | 1-216-025-91 | RES,CHIP | 100 5% | 1/10W | | | |
| RR73 | 1-216-029-00 | METAL CHIP | 150 5% | 1/10W | C381 | 1-165-319-11 | CERAMIC CHIP 0.1uF 50V |
| RR74 | 1-216-037-00 | METAL CHIP | 330 5% | 1/10W | C382 | 1-163-037-11 | CERAMIC CHIP 0.022uF 10% 25V |
| RR75 | 1-216-037-00 | METAL CHIP | 330 5% | 1/10W | C399 | 1-126-964-11 | ELECT 10uF 20% 50V |
| | | < SWITCH > | | | | | < CONNECTOR > |
| S101 | 1-771-349-21 | SWITCH, KEYBOARD (1) | | | * CNS303 | 1-569-306-11 | SOCKET, CONNECTOR (L TYRE) 15P |
| S102 | 1-771-349-21 | SWITCH, KEYBOARD (2) | | | CNS305 | 1-774-289-11 | PIN, CONNECTOR (PC BOARD) 15P |
| S103 | 1-771-349-21 | SWITCH, KEYBOARD (3) | | | | | < IC > |
| S104 | 1-771-349-21 | SWITCH, KEYBOARD (4) | | | IC399 | 8-759-708-12 | IC NJM78L12A-T3 |
| S105 | 1-771-349-21 | SWITCH, KEYBOARD (5) | | | ***** | | |
| S106 | 1-771-349-21 | SWITCH, KEYBOARD (6) | | | | 1-673-352-11 | V.SWITCH BOARD (DE835:E,PX) |
| S107 | 1-771-349-21 | SWITCH, KEYBOARD (7) | | | | | ***** |
| S108 | 1-771-349-21 | SWITCH, KEYBOARD (8) | | | | 1-533-217- | HOLDER,FUSE |
| S109 | 1-771-349-21 | SWITCH, KEYBOARD (9) | | | | | < CONNECTOR > |
| S110 | 1-771-349-21 | SWITCH, KEYBOARD (0) | | | CNV903 | 1-568-106-11 | PIN, CONNECTOR 4P |
| S111 | 1-771-349-21 | SWITCH, KEYBOARD (MEMORY) | | | | | < DIODE > |
| S112 | 1-771-349-21 | SWITCH, KEYBOARD (DIRECT) | | | D114 | 8-719-016-74 | DIODE 1SS352-TPH3 |
| S113 | 1-771-349-21 | SWITCH, KEYBOARD (PRESET +) | | | | | < FUSE > |
| S114 | 1-771-349-21 | SWITCH, KEYBOARD (SUR) | | | △ F904 | 1-532-504-51 | FUSE TIME LAG 4A/250V (E,PX) |
| S115 | 1-771-349-21 | SWITCH, KEYBOARD (FM MODE) | | | | | < SWITCH > |
| S116 | 1-771-349-21 | SWITCH, KEYBOARD (AM) | | | △ VS901 | 1-571-437-11 | SWITCH, POWER VOLTAGE CHANGE |
| S117 | 1-771-349-21 | SWITCH, KEYBOARD (FM) | | | ***** | | |
| S118 | 1-771-349-21 | SWITCH, KEYBOARD (A.F.D.) | | | * | 1-673-356-11 | VIDEO BOARD |
| S119 | 1-771-349-21 | SWITCH, KEYBOARD (SET UP) | | | | | ***** |
| S120 | 1-771-349-21 | SWITCH, KEYBOARD (MD/TAPE) | | | | | < CAPACITOR > |
| S121 | 1-771-349-21 | SWITCH, KEYBOARD (VIDEO1) | | | C201 | 1-126-964-11 | ELECT 10uF 20% 50V |
| S122 | 1-771-349-21 | SWITCH, KEYBOARD (VIDEO2) | | | C202 | 1-126-964-11 | ELECT 10uF 20% 50V |
| S123 | 1-771-349-21 | SWITCH, KEYBOARD (CD) | | | C203 | 1-126-964-11 | ELECT 10uF 20% 50V |
| S124 | 1-771-349-21 | SWITCH, KEYBOARD (VIDEO3)(DE935) | | | C204 | 1-126-964-11 | ELECT 10uF 20% 50V |
| S125 | 1-771-349-21 | SWITCH, KEYBOARD (2ND AUDIO)(DE935) | | | C205 | 1-163-243-11 | CERAMIC CHIP 47PF 5% 50V |
| S126 | 1-771-349-21 | SWITCH, KEYBOARD (TAPE)(DE935) | | | C206 | 1-163-243-11 | CERAMIC CHIP 47PF 5% 50V |
| S127 | 1-771-349-21 | SWITCH, KEYBOARD (TUNER) | | | C207 | 1-163-243-11 | CERAMIC CHIP 47PF 5% 50V |
| S128 | 1-771-349-21 | SWITCH, KEYBOARD (TV/SAT) | | | C208 | 1-126-964-11 | ELECT 10uF 20% 50V |
| S129 | 1-771-349-21 | SWITCH, KEYBOARD (DVD/LD) | | | C209 | 1-165-319-11 | CERAMIC CHIP 0.1uF 50V |
| S130 | 1-771-349-21 | SWITCH, KEYBOARD (PHONO) | | | C210 | 1-165-319-11 | CERAMIC CHIP 0.1uF 50V |
| S131 | 1-771-349-21 | SWITCH, KEYBOARD (INPUT MODE) | | | | | |
| S132 | 1-771-349-21 | SWITCH, KEYBOARD (5.1CH INPUT) | | | | | |
| S133 | 1-771-349-21 | SWITCH, KEYBOARD (EQ) | | | | | |
| S134 | 1-771-349-21 | SWITCH, KEYBOARD (MODE) | | | | | |
| S135 | 1-771-349-21 | SWITCH, KEYBOARD (2CH) | | | | | |
| S136 | 1-771-349-21 | SWITCH, KEYBOARD (<) | | | | | |
| S137 | 1-771-349-21 | SWITCH, KEYBOARD (>) | | | | | |
| S138 | 1-771-349-21 | SWITCH, KEYBOARD (NAME) | | | | | |
| S139 | 1-771-349-21 | SWITCH, KEYBOARD (ENTER) | | | | | |
| S140 | 1-771-349-21 | SWITCH, KEYBOARD (SHIFT) | | | | | |

| | | |
|-----------------------------------------------------------------------------------------------------------------------------------------|---------------------------------------------------------------------------------------------------------------------------------------------------|-----------------------------------------------------|
| <p>The components identified by mark △ or dotted line with mark △ are critical for safety. Replace only with part number specified.</p> | <p>Les composants identifiés par une marque △ sont critiques pour la sécurité. Ne les remplacer que par une pièce portant le numéro spécifié.</p> | <p>以阴影和 △标志来识别的零部件，在安全方面具有关键性。因此只能以规定号码的零部件来更换。</p> |
|-----------------------------------------------------------------------------------------------------------------------------------------|---------------------------------------------------------------------------------------------------------------------------------------------------|-----------------------------------------------------|

VIDEO

VOLUME

| Ref. No. | Part No. | Description | Remarks |
|---------------|---------------------------------|------------------------------------------------------------------|----------|
| C211 | 1-165-319-11 | CERAMIC CHIP 0.1uF | 50V |
| C212 | 1-165-319-11 | CERAMIC CHIP 0.1uF | 50V |
| C213 | 1-104-664-11 | ELECT 47uF | 20% 16V |
| C215 | 1-165-319-11 | CERAMIC CHIP 0.1uF | 50V |
| C216 | 1-104-664-11 | ELECT 47uF | 20% 16V |
| < CONNECTOR > | | | |
| CNS212 | 1-695-094-11 | SOCKET, CONNECTOR 11P | |
| < DIODE > | | | |
| D201 | 8-719-801-78 | DIODE 1SS184-TE85L | |
| < IC > | | | |
| IC201 | 8-759-536-24 | IC NJM-2296M-TE2 | |
| < JACK > | | | |
| J201 | 1-785-867-11 | JACK, PIN 1P (MONITOR VIDEO OUT) | |
| J202 | 1-785-866-11 | JACK, PIN 3P(VIDEO1 VIDEO IN, VIDEO1 VIDEO OUT,VIDEO2 VIDEO IN) | |
| J203 | 1-785-866-11 | JACK, PIN 3P (TV/SAT VIDEO IN, DVD/LD VIDEO IN,VIDEO2 VIDEO OUT) | |
| J204 | 1-563-330-11 | JACK (CONTL1 S LINK) | |
| < RESISTOR > | | | |
| R201 | 1-216-022-00 | METAL CHIP 75 | 5% 1/10W |
| R202 | 1-216-022-00 | METAL CHIP 75 | 5% 1/10W |
| R203 | 1-216-022-00 | METAL CHIP 75 | 5% 1/10W |
| R204 | 1-216-022-00 | METAL CHIP 75 | 5% 1/10W |
| R205 | 1-216-022-00 | METAL CHIP 75 | 5% 1/10W |
| R206 | 1-216-022-00 | METAL CHIP 75 | 5% 1/10W |
| R207 | 1-216-022-00 | METAL CHIP 75 | 5% 1/10W |
| R208 | 1-216-022-00 | METAL CHIP 75 | 5% 1/10W |
| ***** | | | |
| A-4419-408-A | VOLUME BOARD, COMPLETE ***** | | |
| < CAPACITOR > | | | |
| C401 | 1-128-839-11 | ELECT 33uF | 20% 16V |
| C402 | 1-128-839-11 | ELECT 33uF | 20% 16V |
| C410 | 1-128-858-11 | ELECT 22uF | 20% 50V |
| C411 | 1-128-858-11 | ELECT 22uF | 20% 50V |
| C412 | 1-128-858-11 | ELECT 22uF | 20% 50V |
| C413 | 1-163-239-11 | CERAMIC CHIP 33PF | 5% 50V |
| C414 | 1-163-239-11 | CERAMIC CHIP 33PF | 5% 50V |
| C415 | 1-163-239-11 | CERAMIC CHIP 33PF | 5% 50V |
| C421 | 1-163-259-91 | CERAMIC CHIP 220PF | 5% 50V |
| C422 | 1-163-259-91 | CERAMIC CHIP 220PF | 5% 50V |
| C423 | 1-163-259-91 | CERAMIC CHIP 220PF | 5% 50V |
| C460 | 1-128-858-11 | ELECT 22uF | 20% 50V |
| C461 | 1-128-858-11 | ELECT 22uF | 20% 50V |
| C462 | 1-128-858-11 | ELECT 22uF | 20% 50V |
| C463 | 1-163-239-11 | CERAMIC CHIP 33PF | 5% 50V |

| Ref. No. | Part No. | Description | Remarks |
|------------------------|--------------|----------------------------------------------------------|----------|
| C464 | 1-163-239-11 | CERAMIC CHIP 33PF | 5% 50V |
| C465 | 1-163-239-11 | CERAMIC CHIP 33PF | 5% 50V |
| C471 | 1-163-259-91 | CERAMIC CHIP 220PF | 5% 50V |
| C472 | 1-163-259-91 | CERAMIC CHIP 220PF | 5% 50V |
| C473 | 1-163-259-91 | CERAMIC CHIP 220PF | 5% 50V |
| < CONNECTOR > | | | |
| CNP101 | 1-770-388-11 | PIN, CONNECTOR (PC BOARD) 4P | |
| < IC > | | | |
| IC408 | 8-759-636-55 | IC M5218AFP-T1 | |
| IC409 | 8-759-636-55 | IC M5218AFP-T1 | |
| IC410 | 8-759-636-55 | IC M5218AFP-T1 | |
| < RESISTOR > | | | |
| R413 | 1-216-097-91 | RES,CHIP 100K | 5% 1/10W |
| R414 | 1-216-097-91 | RES,CHIP 100K | 5% 1/10W |
| R415 | 1-216-097-91 | RES,CHIP 100K | 5% 1/10W |
| R416 | 1-216-067-00 | METAL CHIP 5.6K | 5% 1/10W |
| R417 | 1-216-067-00 | METAL CHIP 5.6K | 5% 1/10W |
| R418 | 1-216-089-91 | RES,CHIP 47K | 5% 1/10W |
| R419 | 1-216-089-91 | RES,CHIP 47K | 5% 1/10W |
| R420 | 1-216-089-91 | RES,CHIP 47K | 5% 1/10W |
| R421 | 1-216-089-91 | RES,CHIP 47K | 5% 1/10W |
| R463 | 1-216-097-91 | RES,CHIP 100K | 5% 1/10W |
| R464 | 1-216-097-91 | RES,CHIP 100K | 5% 1/10W |
| R465 | 1-216-097-91 | RES,CHIP 100K | 5% 1/10W |
| R466 | 1-216-067-00 | METAL CHIP 5.6K | 5% 1/10W |
| R467 | 1-216-067-00 | METAL CHIP 5.6K | 5% 1/10W |
| R468 | 1-216-067-00 | METAL CHIP 5.6K | 5% 1/10W |
| R469 | 1-216-089-91 | RES,CHIP 47K | 5% 1/10W |
| R470 | 1-216-089-91 | RES,CHIP 47K | 5% 1/10W |
| R471 | 1-216-089-91 | RES,CHIP 47K | 5% 1/10W |
| < VARIABLE RESISTOR > | | | |
| RV401 | 1-225-777-11 | RES, VAR, CARBON 100K/100KX5 (MASTER VOLUME) | |
| ***** | | | |
| MISCELLANEOUS ***** | | | |
| △ 57 | 1-696-847-11 | CORD, POWER (DE835:AUS) | |
| △ 57 | 1-769-743-11 | CORD, POWER (DE835:CND) | |
| △ 57 | 1-769-744-11 | CORD, POWER (DE835:E,PX,SP,MY) | |
| △ 57 | 1-782-464-21 | CORD, POWER (V828) | |
| △ 57 | 1-783-531-11 | CORD, POWER (DE835:US/DE935/SE591) | |
| 64 | 1-773-001-11 | WIRE(FLAT TYPE) (15 CORE) | |
| 66 | 1-773-048-11 | WIRE(FLAT TYPE) (17 CORE) | |
| 67 | 1-773-112-11 | WIRE(FLAT TYPE) (19 CORE) (DE835:E,PX,SP,MY,AUS/V828) | |
| 67 | 1-773-182-11 | WIRE(FLAT TYPE) (23 CORE) (DE835:US,CND/DE935/SE591) | |
| △ T901 | 1-433-769-11 | TRANSFORMER, POWER (DE835:US/DE935/SE591) | |

| | | |
|-----------------------------------------------------------------------------------------------------------------------------------------|---------------------------------------------------------------------------------------------------------------------------------------------------|-----------------------------------------------------|
| <p>The components identified by mark △ or dotted line with mark △ are critical for safety. Replace only with part number specified.</p> | <p>Les composants identifiés par une marque △ sont critiques pour la sécurité. Ne les remplacer que par une pièce portant le numéro spécifié.</p> | <p>以阴影和 △标志来识别的零部件，在安全方面具有关键性。因此只能以规定号码的零部件来更换。</p> |
|-----------------------------------------------------------------------------------------------------------------------------------------|---------------------------------------------------------------------------------------------------------------------------------------------------|-----------------------------------------------------|

| Ref. No. | Part No. | Description | Remarks | Ref. No. | Part No. | Description | Remarks |
|-------------|--------------|----------------------------------------------------------------------|---------|----------|---------------|--------------------------------------------------------------------------------------------------|---------|
| △ T901 | 1-433-770-11 | TRANSFORMER, POWER (DE835:CND) | | | 3-866-670-21 | MANUAL,COMMONNESS INSTRUCTION (ENGLISH,FRENCH,GERMAN,SPANISH,DUTCH) (DE835:CND,E,PX,SP,MY) | |
| △ T901 | 1-433-771-11 | TRANSFORMER, POWER (DE835:SP,MY/V828) | | | 3-866-670-41 | MANUAL,COMMONNESS INSTRUCTION (ENGLISH,ARABIC,CHINESE)(V828) | |
| △ T901 | 1-433-773-11 | TRANSFORMER, POWER (DE835:AU) | | | 3-866-969-11 | MANUAL, INSTRUCTION(ENGLISH) (DE935/DE835:US,CND,SE591) | |
| △ T901 | 1-433-774-11 | TRANSFORMER, POWER (DE835:E,PX) | | | 3-866-969-21 | MANUAL, INSTRUCTION(FRENCH)(DE835:CND) | |
| TU301 | 1-693-407-11 | TUNER (DE835:US,CND,E,PX/DE935/SE591) | | | 3-866-969-31 | MANUAL, INSTRUCTION (ENGLISH,FRENCH,SPANISH,CHINESE) (DE835:E,PX,SP,MY) | |
| TU301 | 1-693-409-11 | TUNER (DE835:SP,MY,AUS/V828) | | | 3-866-969-41 | MANUAL, INSTRUCTION (ENGLISH,CHINESE)(V828) | |
| ***** | | | | | | | |
| ACCESSORIES | | | | | | | |
| ***** | | | | | | | |
| | 1-418-293-11 | REMOTE COMMANDER (RM-LJ302)(DE935) | | | 3-866-969-51 | MANUAL, INSTRUCTION (ENGLISH)(DE835:AUS) | |
| | 1-501-594-11 | ANTENNA (FM)(DE835:SP,MY,AUS,V828) | | | 4-978-977-01 | COVER BATTERY(FOR RM-PP402) (DE835,SE591,V828) | |
| | 1-501-721-11 | ANTENNA (LOOP) | | | 4-981-643-11 | COVER BATTERY(FOR RM-LJ302)(DE935) | |
| | 1-777-172-11 | CORD, CONNECTION(CONTROL A1 CABLE 1P) (DE935/DE835:US,CND,SE591) | | | 8-917-666-90 | REMOTE COMMANDER RM-PP402 (DE835,SE591,V828) | |
| | 1-777-560-11 | CORD, CONNECTION(AVC CABLE 4P) (DE935/DE835:US,CND,SE591) | | | ***** | | |
| | 3-866-295-11 | MANUAL, INSTRUCTION (RM-LJ302) (ENGLISH)(DE935) | | | ***** | | |
| | 3-866-296-11 | MANUAL, INSTRUCTION (RM-PP402) (ENGLISH)(DE835,SE591,V828) | | | HARDWARE LIST | | |
| | 3-866-296-21 | MANUAL, INSTRUCTION (RM-PP402) (FRENCH,SPANISH)(DE835:CND,E,PX) | | | ***** | | |
| | 3-866-296-31 | MANUAL, INSTRUCTION (RM-PP402) (CHINESE)(DE835:SP,MY,V828) | | #1 | 7-685-646-79 | SCREW +BVTP 3 × 8 TYPE2 IT-3 | |
| | 3-866-670-11 | MANUAL,COMMONNESS INSTRUCTION (ENGLISH)(DE935/DE835:US,AUS,SE591) | | #2 | 7-685-881-09 | SCREW +BVTT 4 × 8 (S) | |

| | | |
|-----------------------------------------------------------------------------------------------------------------------------------------|---------------------------------------------------------------------------------------------------------------------------------------------------|------------------------------------------------------|
| <p>The components identified by mark △ or dotted line with mark △ are critical for safety. Replace only with part number specified.</p> | <p>Les composants identifiés par une marque △ sont critiques pour la sécurité. Ne les remplacer que par une pièce portant le numéro spécifié.</p> | <p>以阴影和 △ 标志来识别的零部件，在安全方面具有关键性。因此只能以规定号码的零部件来更换。</p> |
|-----------------------------------------------------------------------------------------------------------------------------------------|---------------------------------------------------------------------------------------------------------------------------------------------------|------------------------------------------------------|

STR-DE835/DE935/SE591/V828

SONY®

SERVICE MANUAL

US Model

STR-DE835/DE935/SE591

Canadian Model

STR-DE835/DE935

E Model

Australian Model

PX Model

STR-DE835

Chinese Model

STR-V828


SUPPLEMENT-1

File this supplement with the Service Manual.

Subject : • Addition of resistors and capacitors.
• Correction

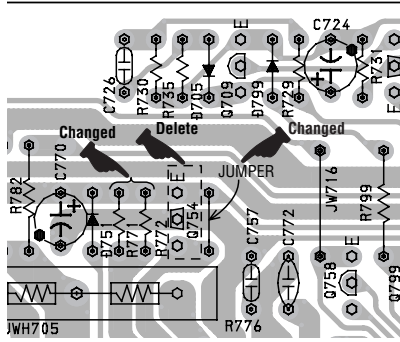
• Correction

 : indicates corrected portion.

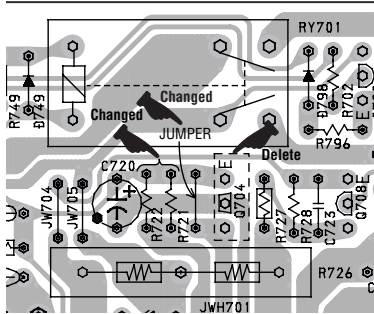
| Page | INCORRECT | | | CORRECT | |
|------|-----------|--------------|---------------------------------------------------|--------------------------------------------------------------------------------------------------|---------------------------------------------------|
| | Ref. No. | Part No. | Description | Part No. | Description |
| 84 | | 4-987-977-01 | COVER BATTERY(FOR RM-PP402) (DE835,SE591,V828) | 4-978-977-01  | COVER BATTERY(FOR RM-PP402) (DE835,SE591,V828) |

 : indicates added portion.

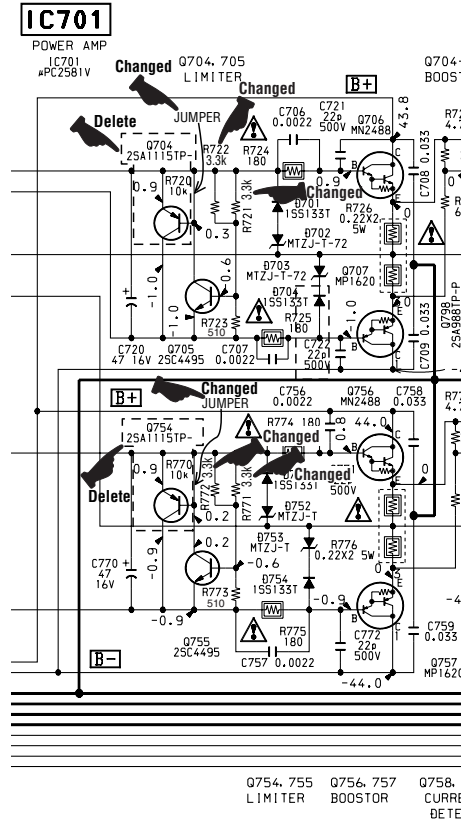
Page 31
REAR-AMP board
 (location : G-3)



(location : G-10)



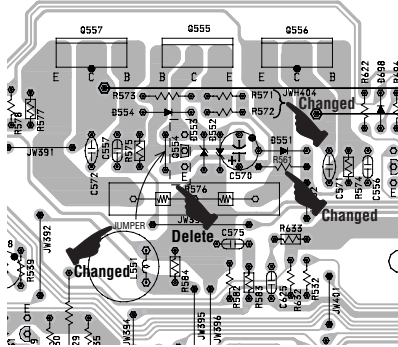
Page 33
REAR-AMP board
 (location : G-6 to I-7)



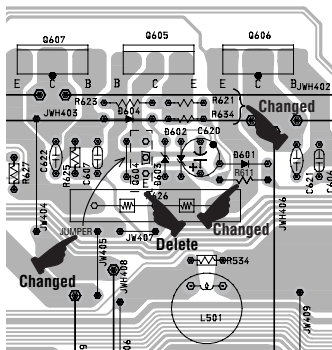
 : indicates added portion.

MAIN board

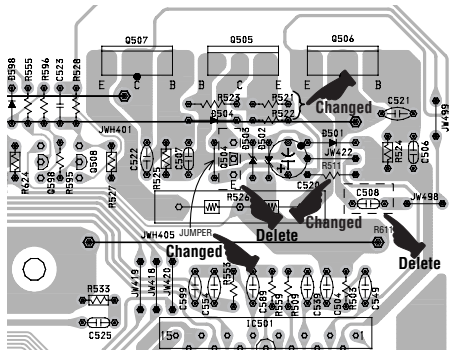
(location : B-5, 6)



(location : B-7, 8)

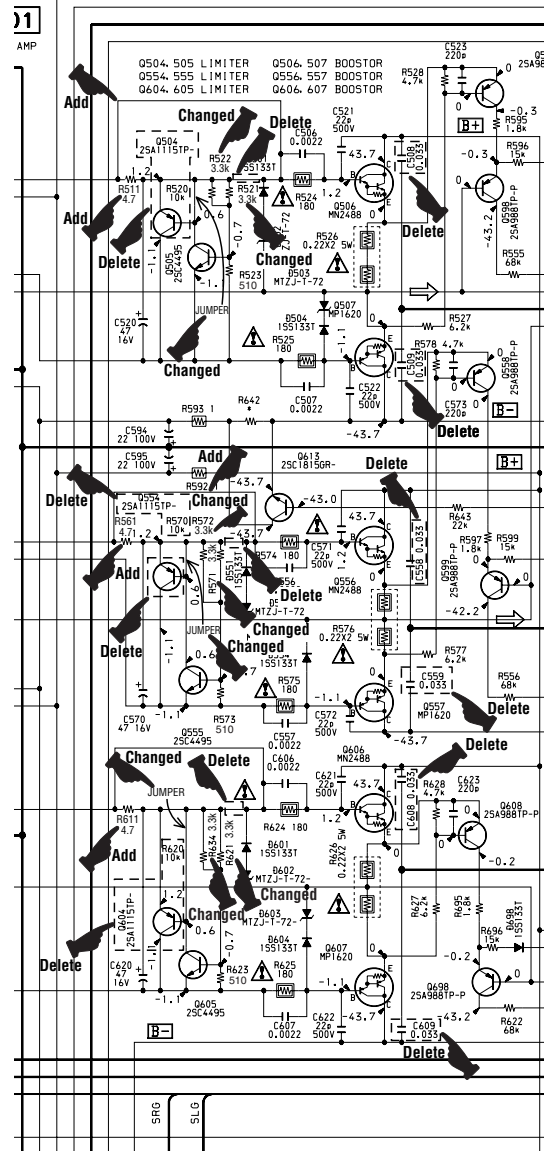


(location : B-9, 10)



MAIN board

(location : C-7 to J-8)



MAIN board

| Page | FORMER TYPE | | | | | | NEW TYPE | |
|------|--------------|--------------|---------------------------|------|------|--------------|--------------------------|-----------------------------------|
| | Ref. No. | Part No. | Description | | | | Part No. | Description |
| 76 | Q504 | 8-729-119-76 | TRANSISTOR 2SA1115TP-EF | | | | | _____ |
| | Q509 | 8-729-281-53 | TRANSISTOR 2SC1815GR-TPE2 | | | | | _____ |
| | Q554 | 8-729-119-76 | TRANSISTOR 2SA1115TP-EF | | | | | _____ |
| | Q604 | 8-729-119-76 | TRANSISTOR 2SA1115TP-EF | | | | | _____ |
| 77 | R511 | | _____ | | | | 1-247-775-11 | RES, CARBON (SMALL) 4.7 JUMPER |
| | R520 | 1-249-429-11 | CARBON | 10K | 5% | 1/4W | | |
| | R521 | 1-249-422-11 | CARBON | 2.7K | 5% | 1/4W | F 1-247-843-11 | RES, CARBON (SMALL) 3.3K |
| | R522 | 1-249-433-11 | CARBON | 22K | 5% | 1/4W | 1-247-843-11 | RES, CARBON (SMALL) 3.3K |
| | R561 | | _____ | | | | 1-247-775-11 | RES, CARBON (SMALL) 4.7 JUMPER |
| | R570 | 1-249-429-11 | CARBON | 10K | 5% | 1/4W | | |
| | R571 | 1-249-422-11 | CARBON | 2.7K | 5% | 1/4W | F 1-247-843-11 | RES, CARBON (SMALL) 3.3K |
| R572 | 1-249-433-11 | CARBON | 22K | 5% | 1/4W | 1-247-843-11 | RES, CARBON (SMALL) 3.3K | |
| 78 | R611 | | _____ | | | | 1-247-775-11 | RES, CARBON (SMALL) 4.7 JUMPER |
| | R620 | 1-249-429-11 | CARBON | 10K | 5% | 1/4W | | |
| | R621 | 1-249-422-11 | CARBON | 2.7K | 5% | 1/4W | F 1-247-843-11 | RES, CARBON (SMALL) 3.3K |
| | R634 | | _____ | | | | 1-247-843-11 | RES, CARBON (SMALL) 3.3K |

REAR-AMP board

| Page | FORMER TYPE | | | | | | NEW TYPE | |
|------|-------------|--------------|-------------------------|------|----|------|----------------|--------------------------|
| | Ref. No. | Part No. | Description | | | | Part No. | Description |
| 79 | Q704 | 8-729-119-76 | TRANSISTOR 2SA1115TP-EF | | | | | _____ |
| | Q754 | 8-729-119-76 | TRANSISTOR 2SA1115TP-EF | | | | | _____ |
| | R720 | 1-249-429-11 | CARBON | 10K | 5% | 1/4W | | _____ |
| | R721 | 1-249-422-11 | CARBON | 2.7K | 5% | 1/4W | F 1-247-843-11 | RES, CARBON (SMALL) 3.3K |
| | R722 | 1-249-433-11 | CARBON | 22K | 5% | 1/4W | 1-247-843-11 | RES, CARBON (SMALL) 3.3K |
| | R770 | 1-249-429-11 | CARBON | 10K | 5% | 1/4W | | _____ |
| | R771 | 1-249-422-11 | CARBON | 2.7K | 5% | 1/4W | F 1-247-843-11 | RES, CARBON (SMALL) 3.3K |
| | R772 | 1-249-433-11 | CARBON | 22K | 5% | 1/4W | 1-247-843-11 | RES, CARBON (SMALL) 3.3K |

