

STR-K675P

SERVICE MANUAL

US Model

Ver. 1.0 2005.03



- STR-K675P is the tuner and the amplifier section in HT-DDW675.

Manufactured under license from Dolby Laboratories.
“Dolby”, “Pro Logic” and the double-D symbol are trademarks of Dolby Laboratories.
“DTS” and “DTS Digital Surround” are registered trademarks of Digital Theater Systems, Inc.

SPECIFICATIONS

AUDIO POWER SPECIFICATIONS

POWER OUTPUT AND TOTAL HARMONIC DISTORTION:
(Models of area code US only)

With 6 ohm loads, both channels driven, from 120 – 20,000 Hz; rated 70 watts per channel minimum RMS power, with no more than 0.7% total harmonic distortion from 250 milliwatts to rated output.

Amplifier section

Power Output¹⁾

(6 ohms 1 kHz, THD 10%)

FRONT²⁾: 110 W/ch

CENTER²⁾: 110 W

SURR²⁾: 110 W/ch

1) Measured under the following conditions:

120 V AC, 60 Hz

2) Depending on the sound field settings and the source, there may be no sound output.

Inputs (Analog)

SA-CD/CD, DVD	Sensitivity: 800 mV
VIDEO 1, 2	Impedance: 50 k ohms

Inputs (Digital)

DVD (Coaxial)	Sensitivity: –	Impedance: 75 ohms
SA-CD/CD (Optical)	Sensitivity: –	Impedance: –

Output (Analog)

SUB WOOFER	Voltage: 2 V	Impedance: 1 k ohm
------------	--------------	--------------------

Reproduction frequency range:

28 – 20,000 Hz

Tone

Gain levels	±6 dB, 1 dB step
-------------	------------------

FM tuner section

Tuning range	87.5 - 108.0 MHz
Antenna	FM wire antenna
Antenna terminals	75 ohms, unbalanced
Intermediate frequency	10.7 MHz

AM tuner section

Tuning range	
With 10-kHz tuning scale:	530 - 1,710 kHz ³⁾
With 9-kHz tuning scale:	531 - 1,710 kHz ³⁾
Antenna	Loop antenna
Intermediate frequency	450 kHz

- 3) You can change the AM tuning scale to 9 kHz or 10 kHz. After tuning in any AM station, turn off the receiver. While holding down PRESET TUNING + or TUNING +, press I/⏻. All preset stations will be erased when you change the tuning scale. To reset the scale to 10 kHz (or 9 kHz), repeat the procedure.

General

Power requirements	120 V AC, 60 Hz
Power consumption	170 W
Power consumption (during standby mode)	0.2 W
Dimensions (w/h/d) (Approx.)	430 × 145 × 301.5 mm (17 × 5 6/8 × 11 7/8 inches) including projecting parts and controls
Mass (Approx.)	6.5 kg (14 lb 6 oz)

Design and specifications are subject to change without notice

FM STEREO FM-AM RECEIVER

SONY®

9-879-446-01
2005C1678-1
© 2005.03

Sony Corporation
Audio Group
Published by Sony Engineering Corporation

SAFETY CHECK-OUT

After correcting the original service problem, perform the following safety check before releasing the set to the customer:
 Check the antenna terminals, metal trim, “metallized” knobs, screws, and all other exposed metal parts for AC leakage.
 Check leakage as described below.

LEAKAGE TEST

The AC leakage from any exposed metal part to earth ground and from all exposed metal parts to any exposed metal part having a return to chassis, must not exceed 0.5 mA (500 microamperes.). Leakage current can be measured by any one of three methods.

1. A commercial leakage tester, such as the Simpson 229 or RCA WT-540A. Follow the manufacturers’ instructions to use these instruments.
2. A battery-operated AC milliammeter. The Data Precision 245 digital multimeter is suitable for this job.
3. Measuring the voltage drop across a resistor by means of a VOM or battery-operated AC voltmeter. The “limit” indication is 0.75 V, so analog meters must have an accurate low-voltage scale. The Simpson 250 and Sanwa SH-63Trd are examples of a passive VOM that is suitable. Nearly all battery operated digital multimeters that have a 2 V AC range are suitable. (See Fig. A)

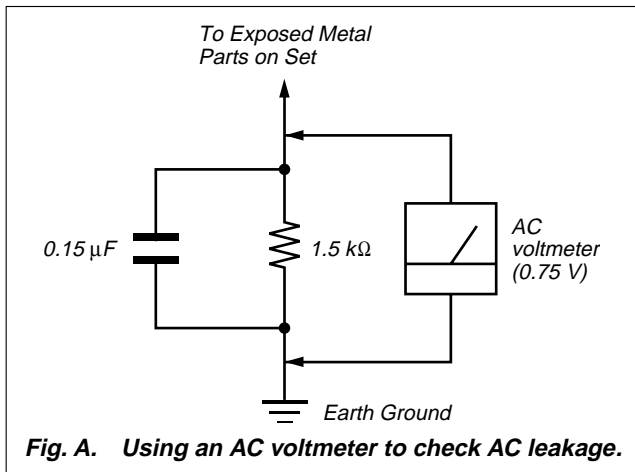


Fig. A. Using an AC voltmeter to check AC leakage.

SAFETY-RELATED COMPONENT WARNING!!

COMPONENTS IDENTIFIED BY MARK Δ OR DOTTED LINE WITH MARK Δ ON THE SCHEMATIC DIAGRAMS AND IN THE PARTS LIST ARE CRITICAL TO SAFE OPERATION. REPLACE THESE COMPONENTS WITH SONY PARTS WHOSE PART NUMBERS APPEAR AS SHOWN IN THIS MANUAL OR IN SUPPLEMENTS PUBLISHED BY SONY.

TABLE OF CONTENTS

1. GENERAL	3
2. TEST MODE	7
3. DIAGRAMS	
3-1. Block Diagram — MAIN Section —	10
3-2. Block Diagram — DISPLAY/POWER Section —	11
3-3. Printed Wiring Board — DIGITAL Board (Side A) —	12
3-4. Printed Wiring Board — DIGITAL Board (Side B) —	13
3-5. Schematic Diagram — DIGITAL Board (1/4) —	14
3-6. Schematic Diagram — DIGITAL Board (2/4) —	15
3-7. Schematic Diagram — DIGITAL Board (3/4) —	16
3-8. Schematic Diagram — DIGITAL Board (4/4) —	17
3-9. Printed Wiring Board — MAIN Section —	18
3-10. Schematic Diagram — MAIN Section (1/3) —	19
3-11. Schematic Diagram — MAIN Section (2/3) —	20
3-12. Schematic Diagram — MAIN Section (3/3) —	21
3-13. Printed Wiring Board — STANDBY Section —	22
3-14. Printed Wiring Board — DISPLAY Section —	23
3-15. Schematic Diagram — DISPLAY Section —	24
3-16. Printed Wiring Board — VIDEO Board —	25
3-17. Schematic Diagram — VIDEO Board —	26
4. EXPLODED VIEWS	
4-1. Front Panel Section	34
4-2. Chassis Section	35
5. ELECTRICAL PARTS LIST	36

Notes on chip component replacement

- Never reuse a disconnected chip component.
- Notice that the minus side of a tantalum capacitor may be damaged by heat.

UNLEADED SOLDER

Boards requiring use of unleaded solder are printed with the lead-free mark (LF) indicating the solder contains no lead.
 (Caution: Some printed circuit boards may not come printed with the lead free mark due to their particular size)

LF: LEAD FREE MARK

Unleaded solder has the following characteristics.

- Unleaded solder melts at a temperature about 40 °C higher than ordinary solder.
 Ordinary soldering irons can be used but the iron tip has to be applied to the solder joint for a slightly longer time.
 Soldering irons using a temperature regulator should be set to about 350 °C.
 Caution: The printed pattern (copper foil) may peel away if the heated tip is applied for too long, so be careful!
- Strong viscosity
 Unleaded solder is more viscous (sticky, less prone to flow) than ordinary solder so use caution not to let solder bridges occur such as on IC pins, etc.
- Usable with ordinary solder
 It is best to use only unleaded solder but unleaded solder may also be added to ordinary solder.

SECTION 1 GENERAL

This section is extracted
from instruction manual.

Main unit

ALPHABETICAL ORDER

A - H

A.F.D. **9** (23, 24, 25)
 AM **16** (19, 20, 30)
 DIMMER **3** (21)
 DISPLAY **2** (21, 36)
 Display **5** (21)
 DVD **19** (19)
 ENTER **7** (15, 30)
 FM **17** (19, 20, 30)
 FM MODE **25** (19)

I - O

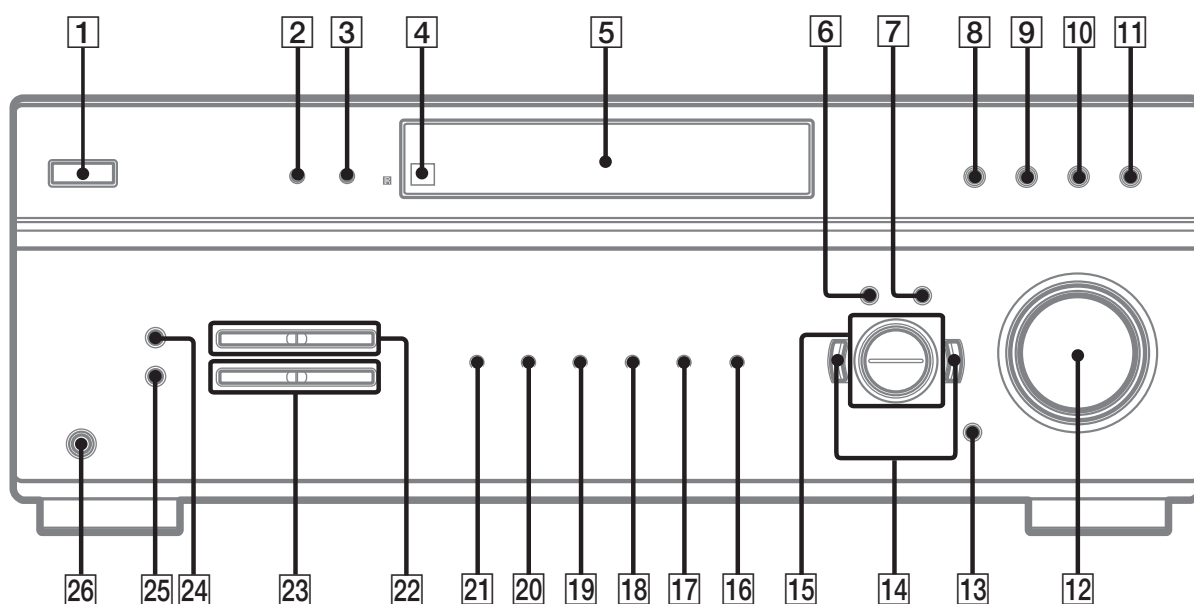
INPUT MODE **13** (26)
 IR (receptor) **4** (31, 36)
 MAIN MENU **6** (16, 26, 28, 30)
 MASTER VOLUME +/- **12** (15,
 18, 19, 35)
 MEMORY **24** (20)
 MOVIE **10** (24, 25, 35)
 MUSIC **11** (25, 35)

P - Z

PHONES (jack) **26** (19, 35)
 PRESET TUNING +/- **22** (20)
 SA-CD/CD **18** (19)
 TUNING +/- **23** (19)
 VIDEO 1 **21** (19)
 VIDEO 2 **20** (19)


NUMBERS AND SYMBOLS

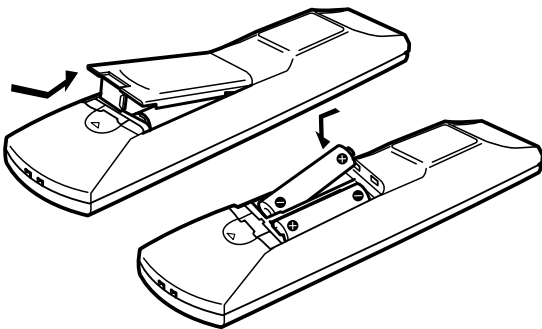
2CH **8** (23, 25, 27)
 I/O (power) **1** (15, 16, 19, 27)
 </> **14** (16, 26, 28, 30)
 +/- **15** (16, 26, 28, 30)



Before you use your remote

Inserting batteries into the remote

Insert R6 (size-AA) batteries with the + and – properly oriented in the battery compartment. When using the remote, point it at the remote sensor  on the receiver.



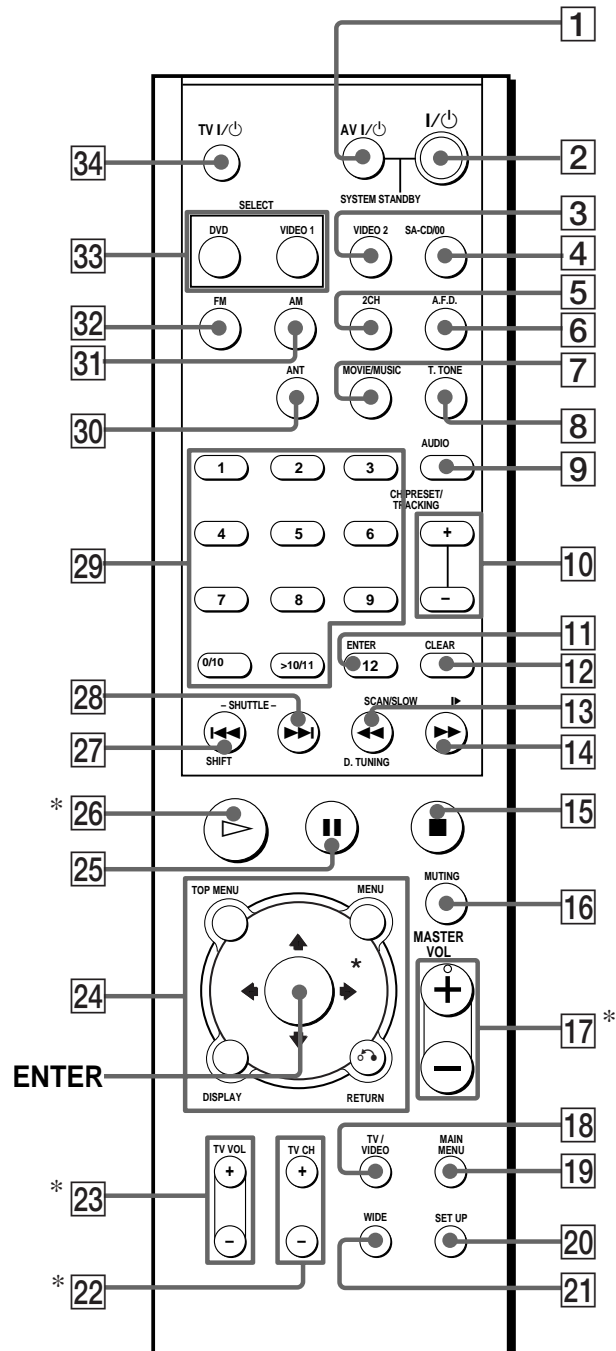
Tip

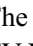
Under normal conditions, the batteries should last for about 6 months. When the remote no longer operates the receiver, replace all batteries with new ones.

Notes

- Do not leave the remote in an extremely hot or humid place.
- Do not use a new battery with an old one.
- Do not expose the remote sensor to direct sunlight or lighting apparatuses. Doing so may cause a malfunction.
- If you don't use the remote for an extended period of time, remove the batteries to avoid possible damage from battery leakage and corrosion.

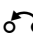

Remote button description



* The , MASTER VOL +, TV CH + and TV VOL + buttons have a tactile dot. Use the tactile dot as a reference when operating the receiver and other audio/video components.

The tables below show the settings of each button.

Remote Button	Operations	Function
A.F.D. 6	Receiver	Selects the decoding mode for audio sound.
AM 31	Receiver	To select the AM band.
ANT 30	DVD PLAYER/ VIDEO CASSETTE RECORDER (VIDEO mode)	Selects output signal from the antenna terminal: TV signal or VCR program.
AUDIO 9	DVD PLAYER/ VIDEO CASSETTE RECORDER	Changes the sound to Multiplex or Bilingual.
AV I/O 1	VCR/ CD PLAYER/ DVD PLAYER	Turns the audio and video components on or off.
CH/ PRESET/ TRACKING +/- 10	Receiver DVD PLAYER/ VIDEO CASSETTE RECORDER (VIDEO mode)	Selects preset stations. Selects preset channel.
	DVD PLAYER/ VIDEO CASSETTE RECORDER (VIDEO mode)	Adjust the tracking when distortion occurs.
CLEAR 12	DVD PLAYER/ CD PLAYER/ VIDEO CASSETTE RECORDER (DVD mode)	Clears a mistake when you press the incorrect numeric buttons or returns to continuous playback etc.
DISPLAY 24	VIDEO CASSETTE RECORDER/ DVD PLAYER	Selects information displayed on the TV screen.
D.TUNING 13	Receiver	Enters direct tuning mode.
DVD 33	Receiver	To watch DVD player/ Video cassette recorder (DVD mode).

Remote Button	Operations	Function
ENTER 11	TV/VIDEO CASSETTE RECORDER/ CD PLAYER	Enters the selection
ENTER 24	Receiver/ VIDEO CASSETTE RECORDER/ DVD PLAYER	Enters the selection.
FM 32	Receiver	To select the FM band.
MAIN MENU 19	Receiver	Selects the menu of the receiver.
MENU 24	VCR/ DVD PLAYER	Displays menu.
MASTER VOL +/- 17	Receiver/TV	Adjusts the master volume of the receiver.
MOVIE/ MUSIC 7	Receiver	Selects the preprogrammed sound fields.
MUTING 16	Receiver	Mutes the sound from the receiver.
RETURN/  24	DVD PLAYER/ VIDEO CASSETTE RECORDER (DVD mode)	Returns to the previous menu or exits the menu.
SCAN/ SLOW  13	DVD PLAYER/ VIDEO CASSETTE RECORDER	Playback in slow motion.
SET UP 20	DVD PLAYER/ VIDEO CASSETTE RECORDER	Selects the SET UP MENU.
SHIFT 27	Receiver	Selects a memory page for presetting radio stations or tuning to preset stations.
SHUTTLE 28 29	DVD PLAYER/ VIDEO CASSETTE RECORDER	Changes the playback speed.

Remote Button	Operations	Function
SYSTEM STANDBY (Press AV I/⏻ 1 and I/⏻ 2 at the same time)	Receiver/TV/ DVD PLAYER/ VIDEO CASSETTE RECORDER	Turns off the receiver and other Sony audio/video components.
T.TONE 8	Receiver	Outputs test tone.
TUNER 27	Receiver	To listen to radio programs.
TOP MENU 24	VIDEO CASSETTE RECORDER (DVD mode)	Display DVD title.
TV CH +/- 22	TV	Selects preset TV channels.
TV/VIDEO 18	TV	Selects input signal: TV input or video input.
TV VOL +/- 23	TV	Adjusts the volume of the TV.
TV I/⏻ 34	TV	Turns the TV on or off.
VIDEO 1 33	Receiver	To watch VCR. (VTR mode 3)
VIDEO 2 3	Receiver	To watch VCR. (VTR mode 1)
WIDE 21	TV	Selects the wide picture mode.
1-9 and 0/10 29	Receiver	Use with SHIFT to preset radio station or tuning to preset stations and with D.TUNING for direct tuning.
	CD PLAYER/ DVD PLAYER	Selects track numbers. 0/10 selects track 10.
	VCR	Selects channel numbers.
2CH 5	Receiver	Selects 2CH STEREO mode.
>10/11 29	CD PLAYER/ VCD PLAYER	Selects track numbers over 10.
I/⏻ 2	Receiver	Turns the receiver on or off.

Remote Button	Operations	Function
⏮/⏭ 27 28	VIDEO CASSETTE RECORDER/ CD PLAYER/ DVD PLAYER	Skips tracks.
⏮/⏭ 13 14	CD PLAYER/ DVD PLAYER	Searches tracks in the forward or backward direction.
	VIDEO CASSETTE RECORDER	Fastforwards or rewinds.
▶ 26	VIDEO CASSETTE RECORDER/ CD PLAYER/ DVD PLAYER	Starts playback.
⏸ 25	VIDEO CASSETTE RECORDER/ CD PLAYER/ DVD PLAYER	Pauses playback or recording. (Also starts recording with components in recording standby).
■ 15	VIDEO CASSETTE RECORDER/ CD PLAYER/ DVD PLAYER	Stops playback.
⬆/⬇ 24	Receiver	Selects a menu item.
⬅/➡ 24	Receiver	Adjusts or changes the setting.
⬆/⬇/⬅/➡ 24	VIDEO CASSETTE RECORDER/ DVD PLAYER	Selects a menu item.

Notes

- The above explanation is intended to serve as an example only. Therefore, depending on the component the above operation may not be possible or may operate differently than described.
- When you press input buttons (VIDEO 1, VIDEO 2 or DVD PLAYER), the input mode of the TV might not switch to the corresponding input mode that you want. In this case, press TV/VIDEO button to switch the input mode of the TV.

SECTION 2 TEST MODE

FACTORY PRESET MODE

- All preset contents are reset to the default setting.
- Procedure:
While depressing the **PRESET TUNING-** and the **DIMMER** buttons simultaneously, press the power **I/⏻** button to turn on the main power. The message "FACTORY" appears and the present contents are reset to the default values.

AM CHANNEL STEP 9 kHz/10 kHz SELECTION MODE

- Either the 9 kHz step or 10 kHz step can be selected for the AM channel step.
- Procedure:
Set the FUNCTION to AM. Turn off the main power. While depressing the **TUNING+** button or the **PRESET TUNING+** button, press the power **I/⏻** button to turn on the main power. Either the message "9 k STEP" or "10 k STEP" appears. Select the desired step. This mode is only for US, Canadian, Australian and E models.

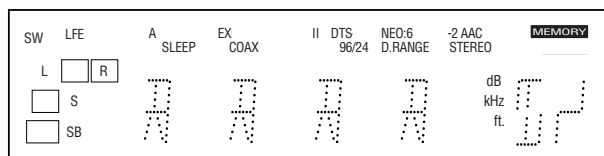
FLUORESCENT INDICATOR TUBE TEST MODE

- All fluorescent segments are tested. When this test is activated, all segments turn on at the same time, then each segment turns on one after another.
- Procedure:
While depressing the **PRESET TUNING-** and the **AM** buttons simultaneously, press the power **I/⏻** button to turn on the main power.

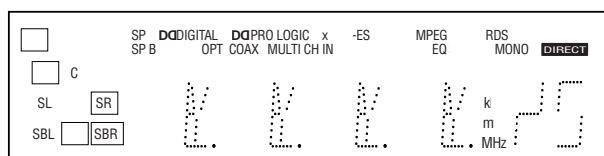
- All segments turn on.



- Press the **VIDEO 1** button, confirm display.



- Press the **VIDEO 1** button, confirm display



- Press the **VIDEO 1** button, All segments turn off.
- Every pressing of the **VIDEO 1** button turns on each segment one after another in the same order. (Not only the **VIDEO 1** button, but also the other buttons such as **VIDEO 2**, **DVD**, **SA-CD/CD**, **FM** and **AM** can be used.)

SOUND FIELD CLEAR MODE

- The preset sound field is cleared when this mode is activated. Use this mode before returning the product to clients upon completion of repair.
- Procedure:
While depressing the **2CH** button, press the power **I/⏻** button to turn on the main power. The message "SF. CLR." appears and initialization is performed.

SOFTWARE VERSION DISPLAY MODE

- The software version is displayed.
- Procedure:
While depressing the **PRESET TUNING-** and the **<** buttons simultaneously, press the power **I/⏻** button to turn on the main power. The model name, destination and the software version are displayed.

KEY CHECK MODE

- Button check
- Procedure:
While depressing the **A.F.D.** and the **<** buttons simultaneously, press the power **I/⏻** button to turn on the main power. "REST 25" appears. Every pressing of any button other than **I/⏻** counts down the buttons. The buttons which are already counted once are not counted again. When all buttons are pressed "REST 00" appears.

AUTO BETICAL MODE

- This mode is installed in the Europe models only. When this mode is used, the receiver scans the broadcasts that can be received by the tuner, and sets up the broadcasts. Be sure to start scanning after connecting the antenna.
- Procedure:
1. Check that the antenna is connected.
2. Press the **I/⏻** button to turn on the power while pressing the **MEMORY** button.

CHANGE COMMON MODE

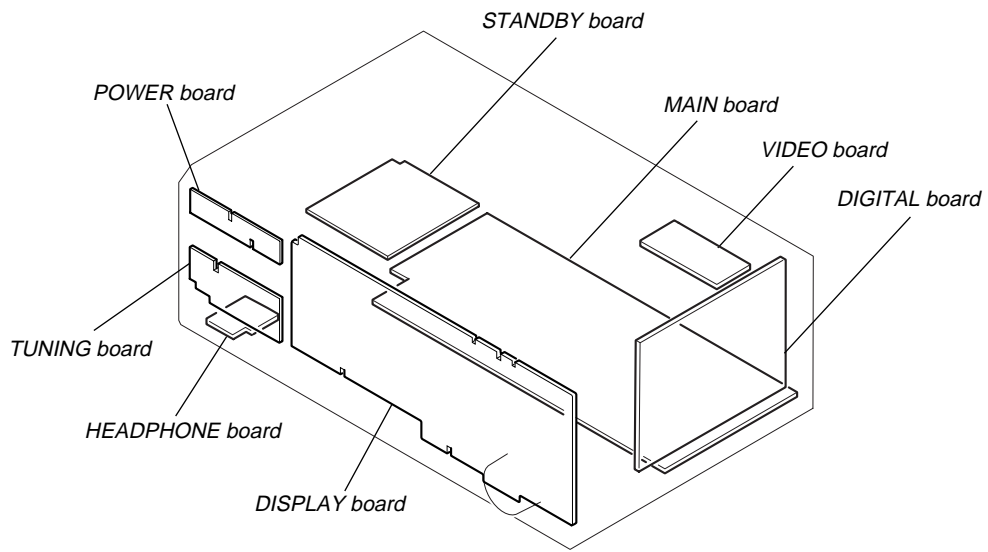
- This mode is command mode changed to AV 1 or AV2.
- Procedure:
While depressing the **ENTER** button, press the power **I/⏻** button to turn on the main power. Either the message "C.MODE.AV 1" or "C.MODE.AV 2" appears.

SHIPMENT MODE

- All preset contents are reset to the default setting.
- Procedure:
While depressing the **A.F.D.** and the **AM** buttons simultaneously, press the power **I/⏻** button to turn on the main power. "CLEARED" appears and switch off the set.

SECTION 3 DIAGRAMS


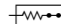
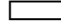
• Circuit Boards Location









THIS NOTE IS COMMON FOR PRINTED WIRING BOARDS AND SCHEMATIC DIAGRAMS.
(In addition to this, the necessary note is printed in each block.)

For Schematic Diagrams.

Note:



- All capacitors are in μF unless otherwise noted. (p: pF)
- 50 WV or less are not indicated except for electrolytics and tantalums.
- All resistors are in Ω and $\frac{1}{4} \text{ W}$ or less unless otherwise specified.
- % : indicates tolerance.
- Δ : internal component.
-  : nonflammable resistor.
-  : fusible resistor.
-  : panel designation.

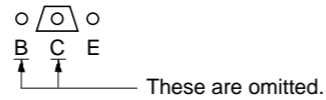
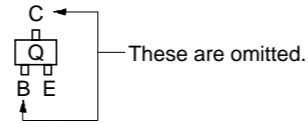
Note: The components identified by mark Δ or dotted line with mark Δ are critical for safety. Replace only with part number specified.

-  : B+ Line.
-  : B+ Line.
- Voltages and waveforms are dc with respect to ground under no-signal (detuned) conditions.
No mark : FM
- Voltages are taken with a VOM (Input impedance 10 M Ω). Voltage variations may be noted due to normal production tolerances.
- Waveforms are taken with a oscilloscope.
- Circled numbers refer to waveforms.
- Signal path.
 -  : FM
 -  : ANALOG
 -  : DIGITAL
 -  : VIDEO

For Printed Wiring Boards.

Note:

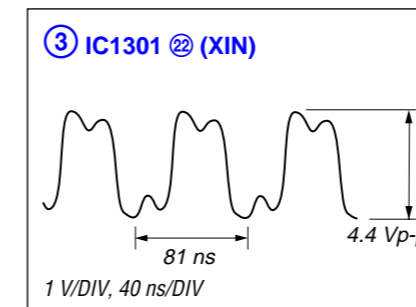
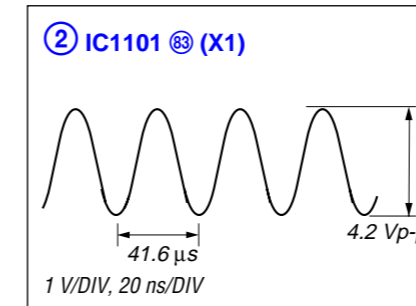
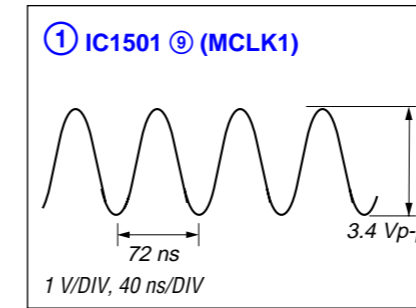
-  : parts extracted from the component side.
- \circ : Through hole.
- Δ : internal component.
-  : Pattern from the side which enables seeing.
- Indication of transistor.



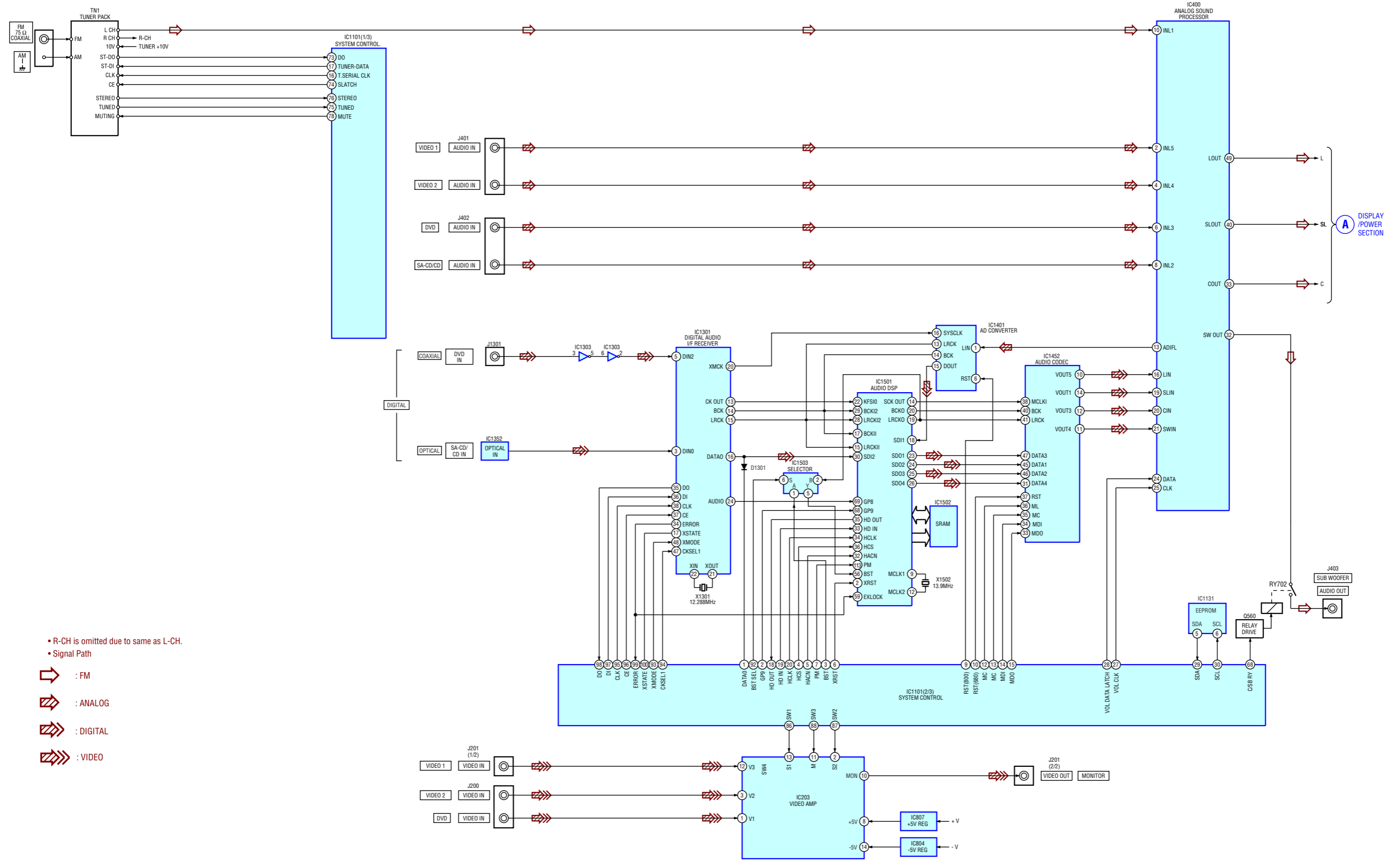
Caution:
 Pattern face side: Parts on the pattern face side seen from the pattern face are indicated. (Side A)
 Parts face side: Parts on the parts face side seen from the parts face are indicated. (Side B)

• Waveforms

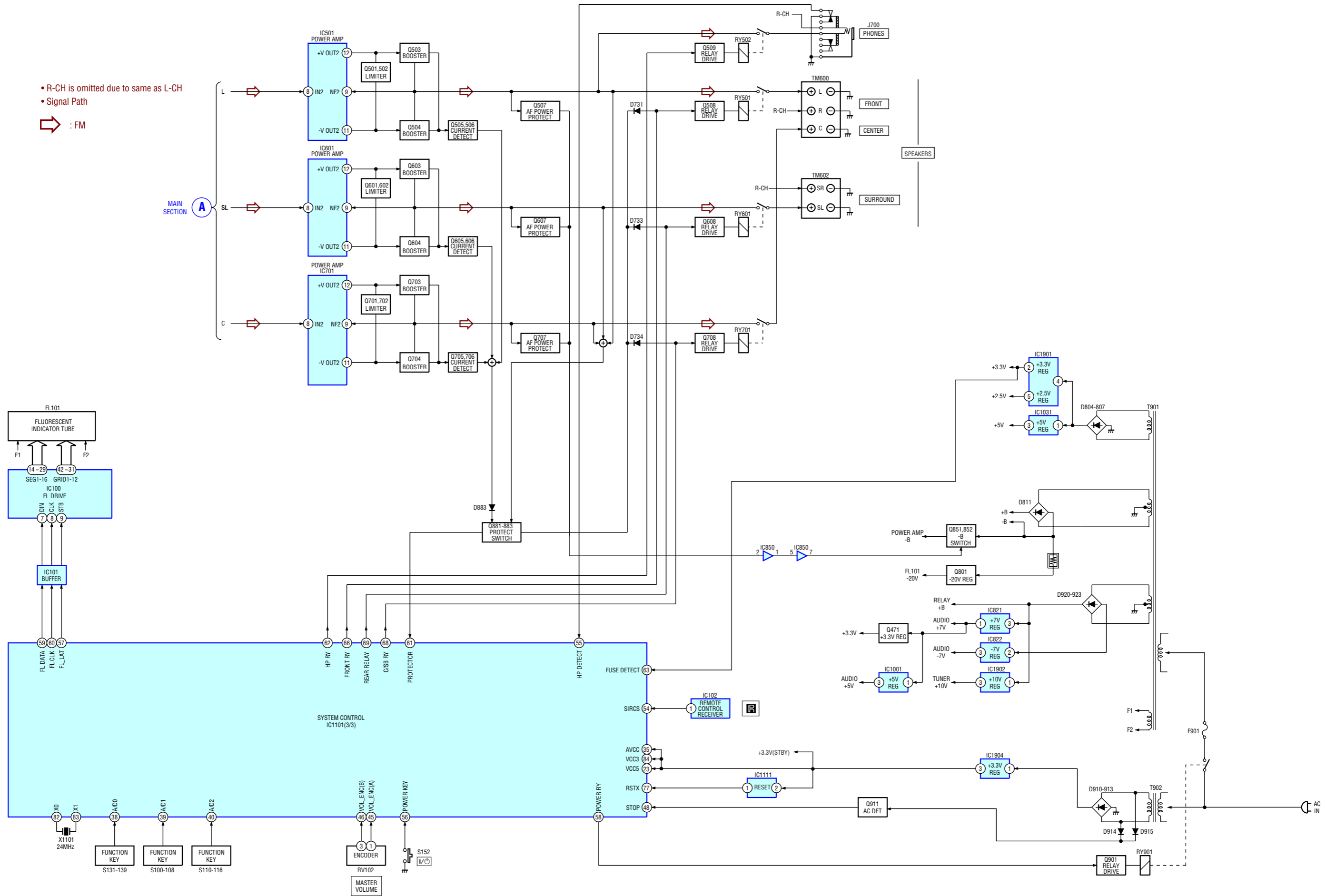
– DIGITAL Board –



3-1. BLOCK DIAGRAM — MAIN SECTION —



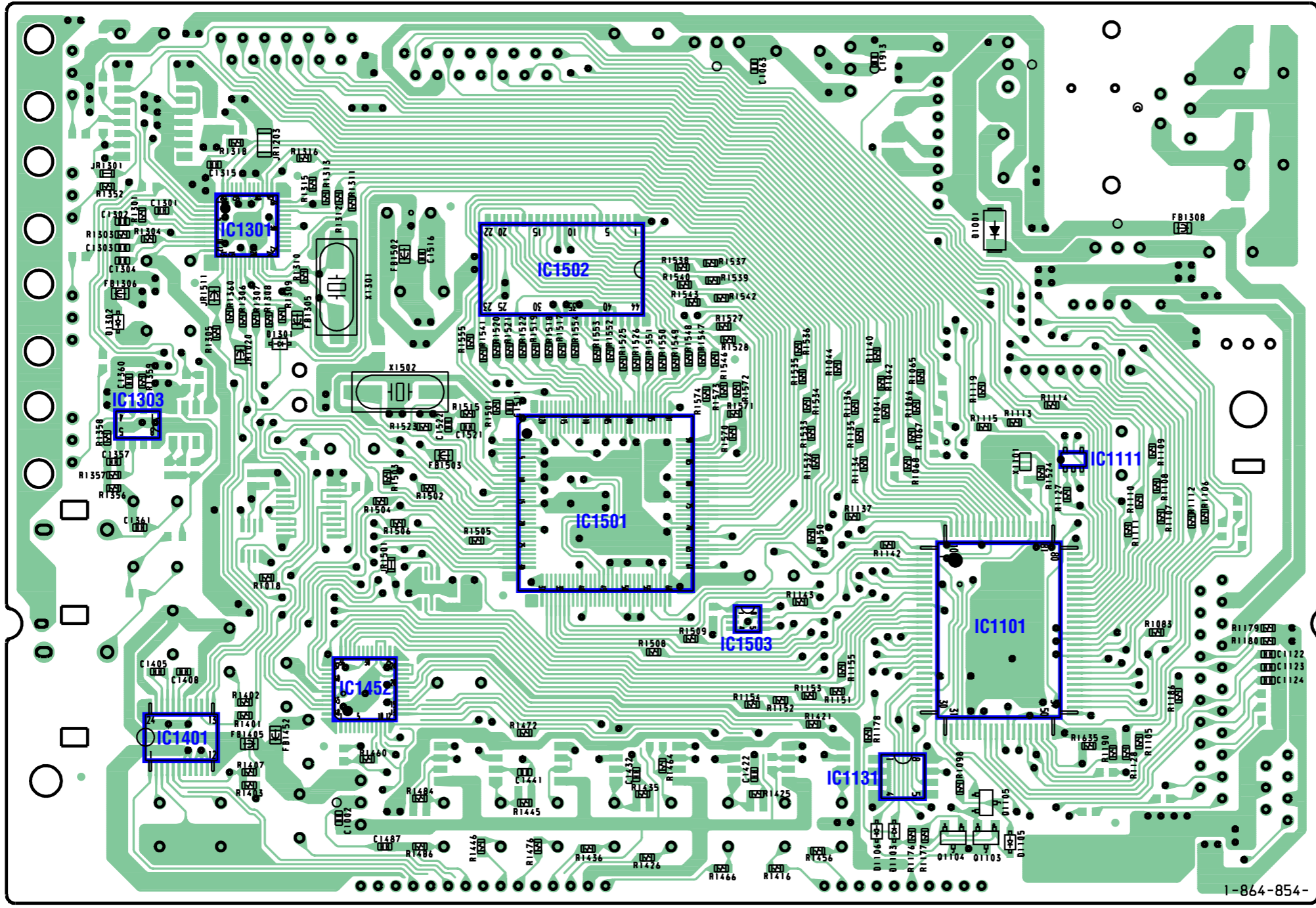
3-2. BLOCK DIAGRAM — DISPLAY/POWER SECTION —



1 2 3 4 5 6 7 8 9 10 11

A
B
C
D
E
F
G
H

【DIGITAL BOARD】(SIDE A)



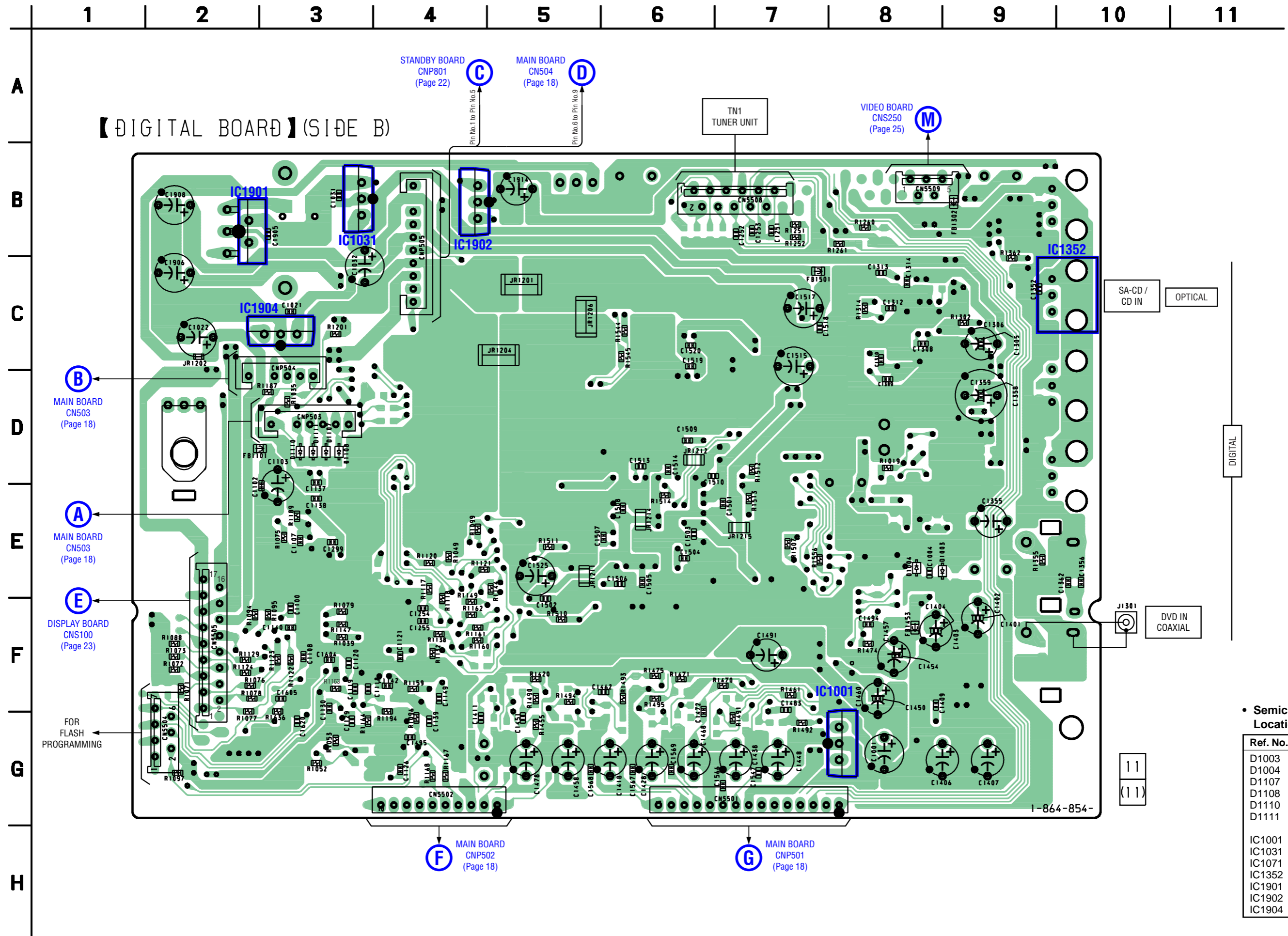
• Semiconductor Location

Ref. No.	Location
D1001	C-8
D1103	G-7
D1105	G-8
D1106	G-7
D1301	D-3
D1302	D-2
IC1101	F-8
IC1111	D-9
IC1131	G-7
IC1301	C-3
IC1303	D-2
IC1401	F-2
IC1452	F-4
IC1501	E-5
IC1502	C-5
IC1503	F-6
Q1103	G-8
Q1104	G-8
Q1105	G-8

11
(11)

1-864-854-

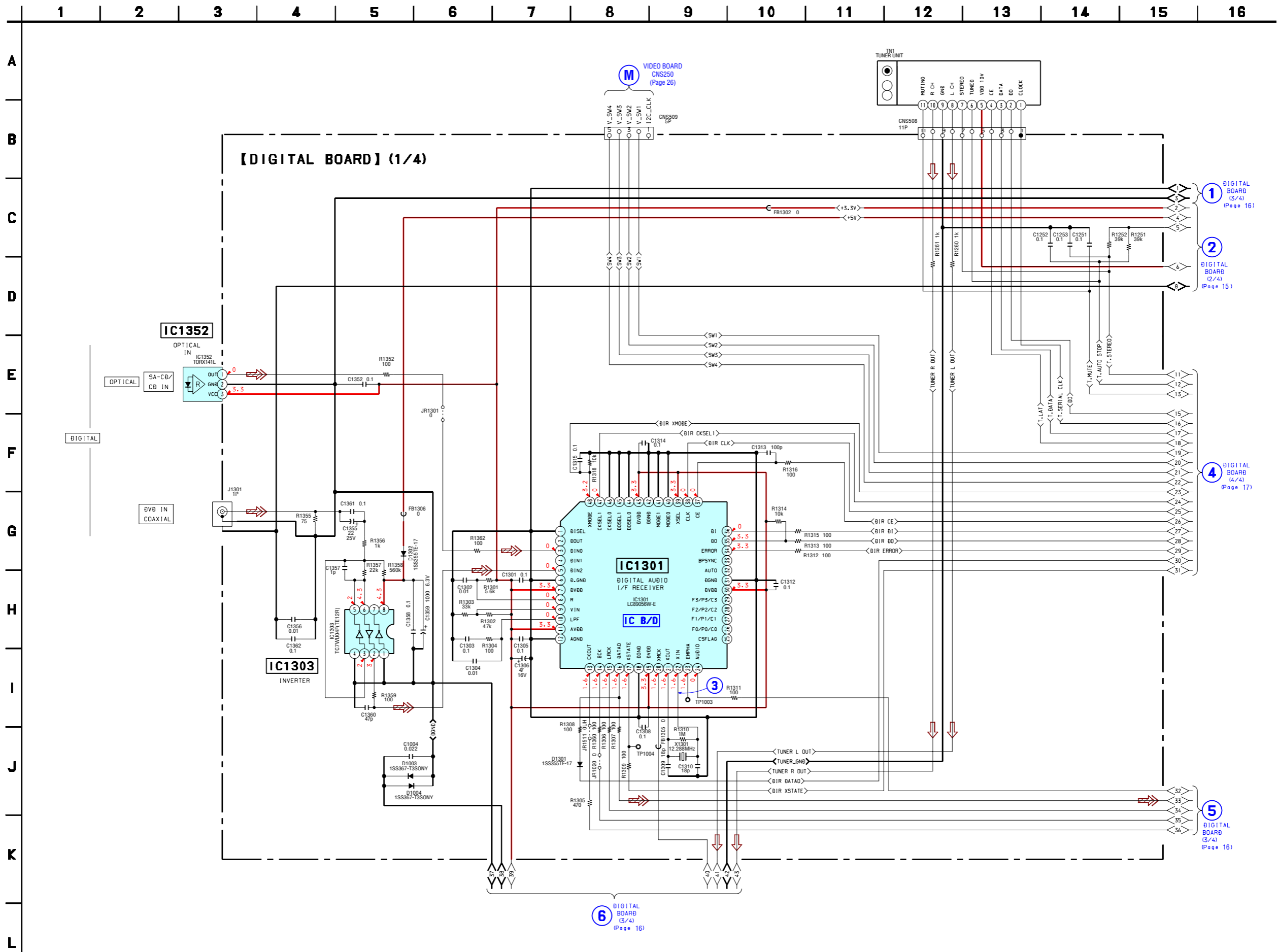
3-4. PRINTED WIRING BOARD — DIGITAL BOARD (SIDE B) —  :Uses unleaded solder. • See page 8 for Circuit Boards Location.

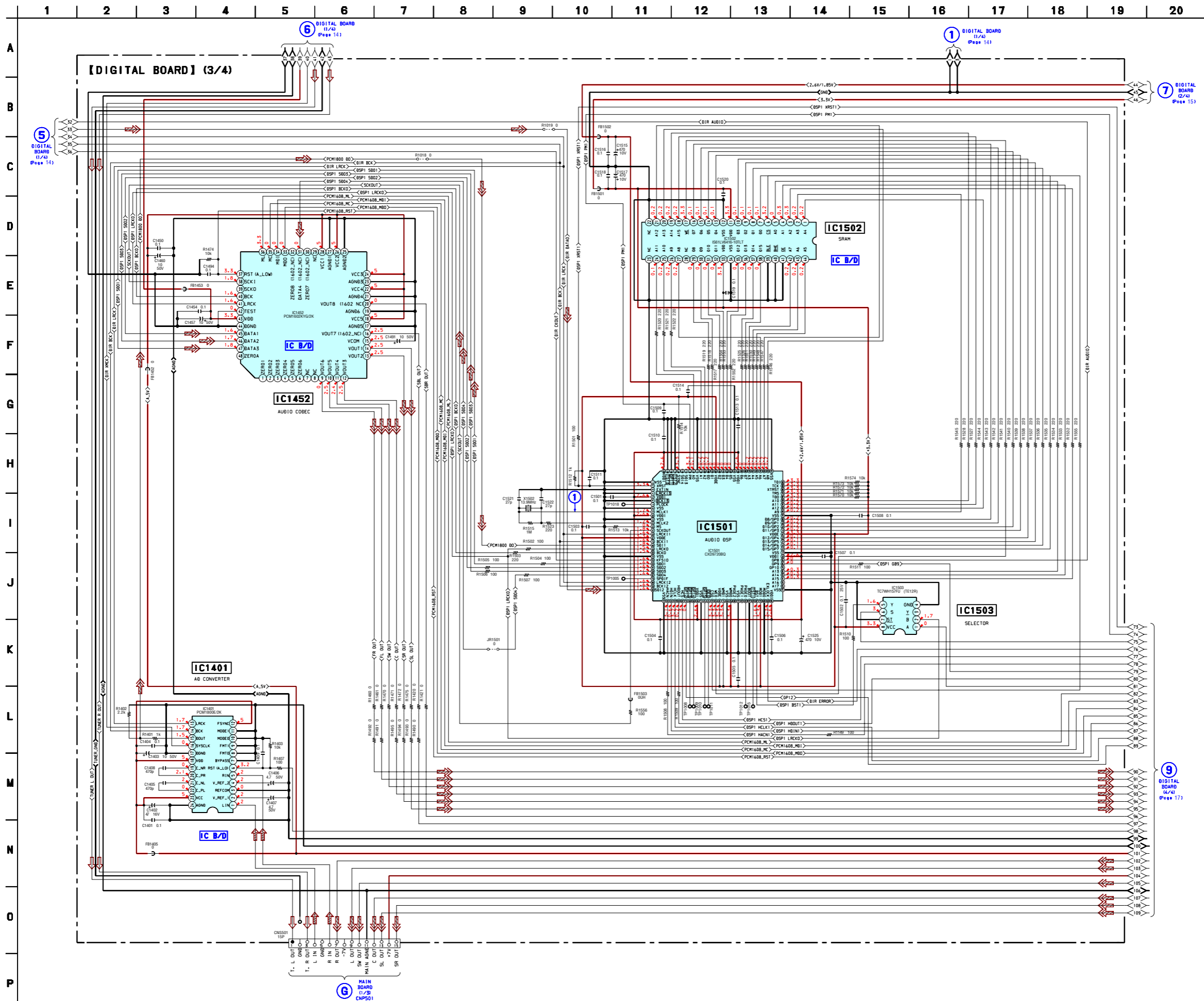


• Semiconductor Location

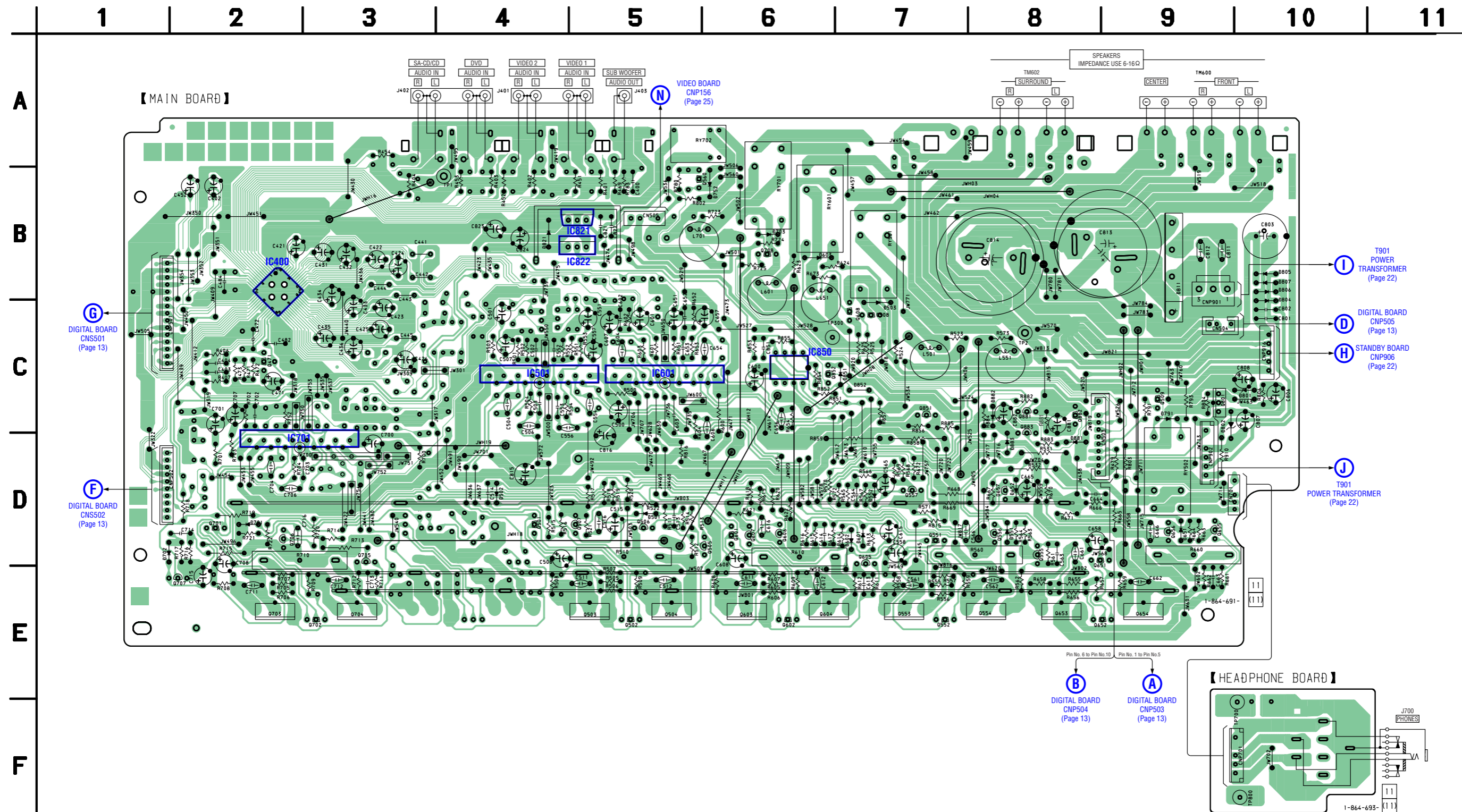
Ref. No.	Location
D1003	E-9
D1004	E-8
D1107	D-3
D1108	D-3
D1110	D-3
D1111	D-3
IC1001	F-8
IC1031	B-3
IC1071	B-5
IC1352	B-9
IC1901	B-2
IC1902	B-4
IC1904	C-2

3-5. SCHEMATIC DIAGRAM — DIGITAL BOARD (1/4) — • See page 9 for Waveform. • See page 27 for IC Block Diagram.



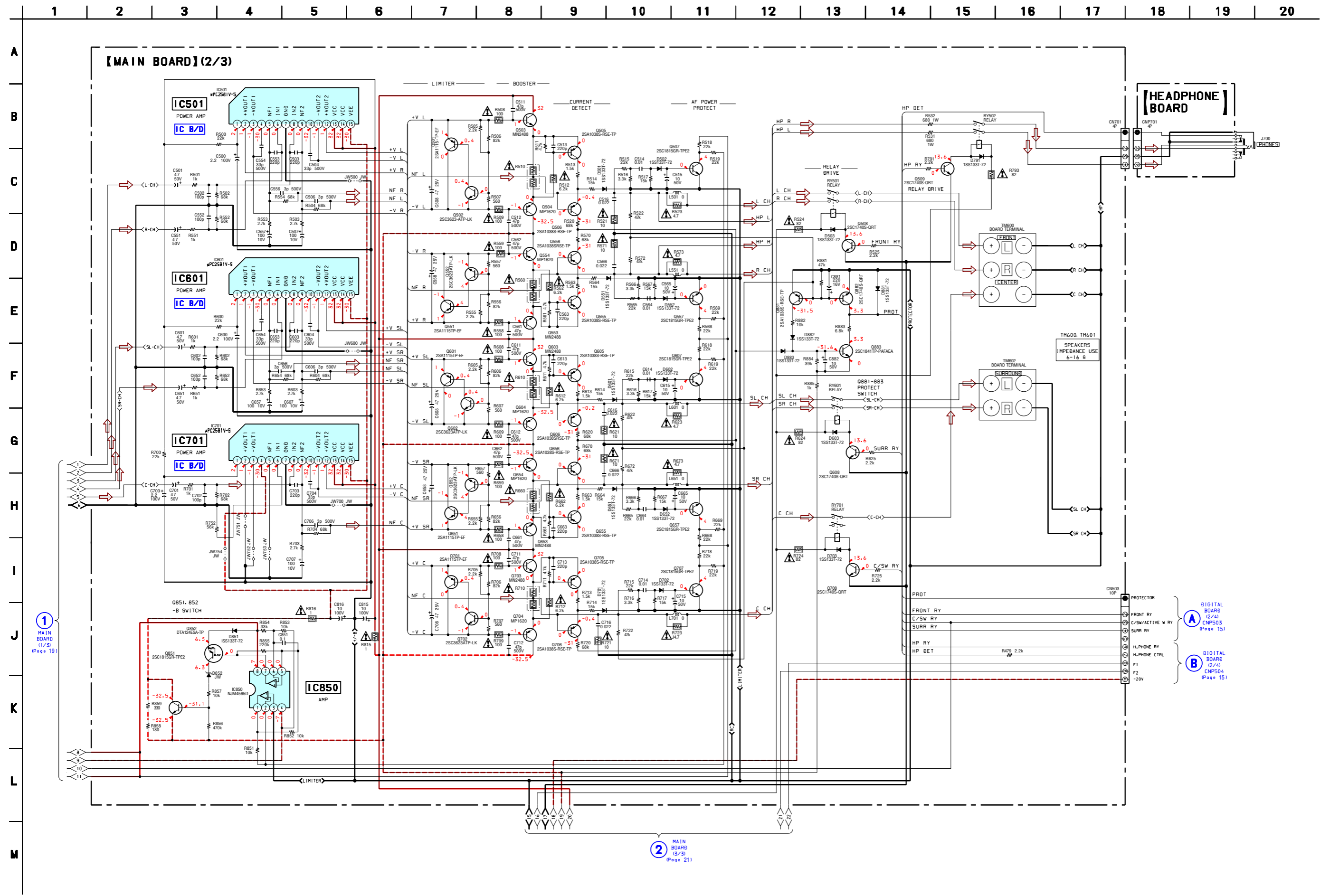


3-9. PRINTED WIRING BOARD — MAIN SECTION —  :Uses unleaded solder. • See page 8 for Circuit Boards Location.



• Semiconductor Location

Ref. No.	Location	Ref. No.	Location	Ref. No.	Location	Ref. No.	Location	Ref. No.	Location	Ref. No.	Location
D501	D-5	D791	C-9	IC400	B-2	Q506	D-5	Q603	E-6	Q702	E-3
D502	D-4	D801	C-10	IC501	C-4	Q507	D-5	Q604	E-6	Q703	E-2
D503	C-7	D802	D-9	IC601	C-5	Q508	C-7	Q605	D-7	Q704	E-3
D551	D-8	D804	B-10	IC701	D-2	Q509	C-9	Q606	D-6	Q705	D-3
D552	D-7	D805	B-10	IC821	B-5	Q551	D-7	Q607	D-6	Q706	D-2
D601	D-7	D806	B-10	IC822	B-5	Q552	E-7	Q608	C-7	Q707	E-2
D602	D-7	D807	B-10	IC850	C-6	Q553	E-7	Q651	D-8	Q708	B-6
D603	B-6	D811	C-9			Q554	E-7	Q652	E-8	Q801	C-8
D651	D-9	D821	B-4	Q471	C-2	Q555	D-8	Q653	E-8	Q851	C-7
D652	D-8	D851	C-7	Q501	D-4	Q556	D-8	Q654	E-9	Q852	C-6
D701	D-2	D881	C-8	Q502	E-5	Q557	D-7	Q655	D-9	Q881	C-8
D702	D-1	D882	C-8	Q504	E-5	Q560	B-5	Q656	D-9	Q882	C-8
D703	B-6	D883	D-8	Q503	E-4	Q601	D-6	Q657	D-8	Q883	C-8
D752	B-6			Q505	D-6	Q602	E-6	Q701	D-2		



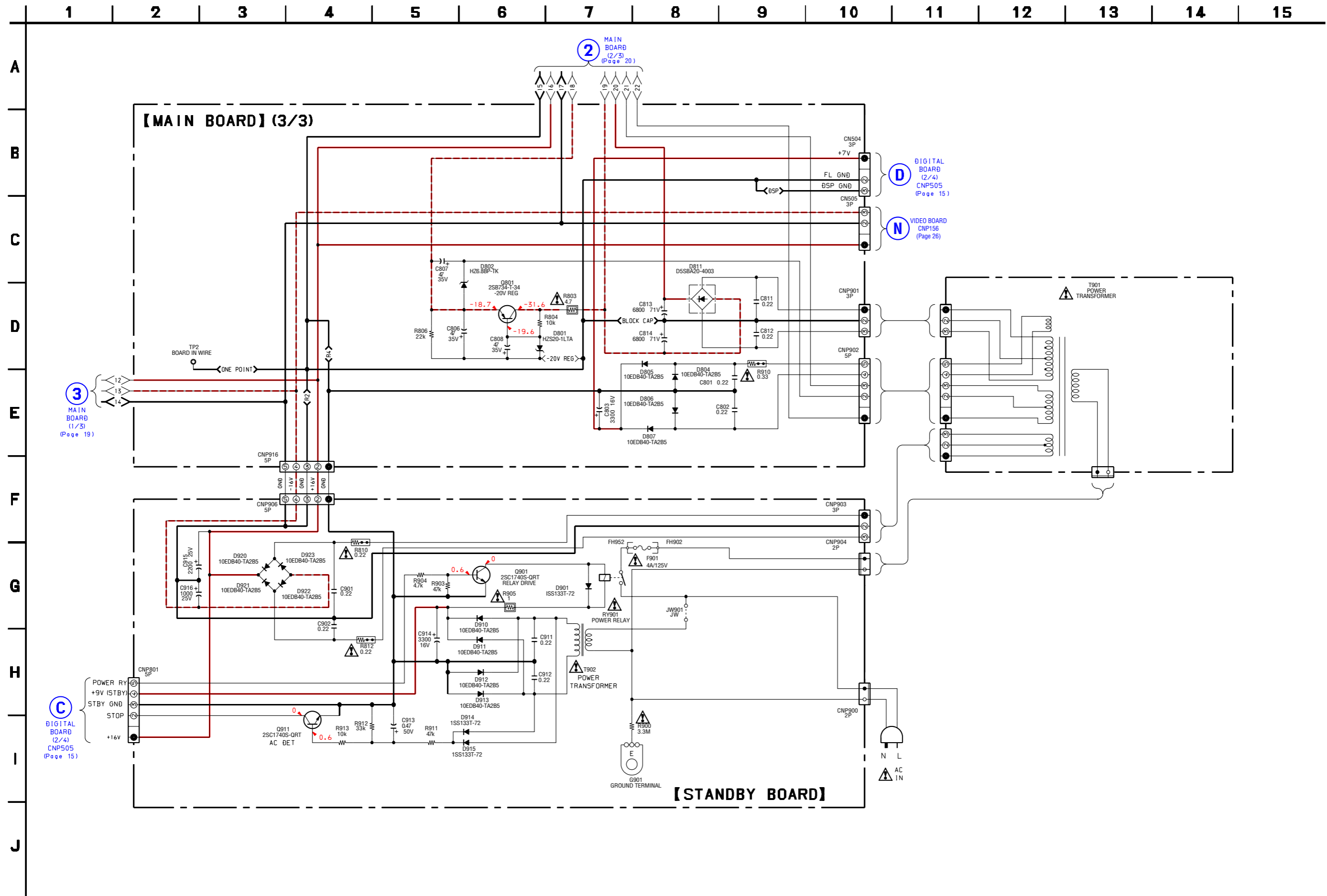
1 MAIN BOARD (1/3) (Page 19)

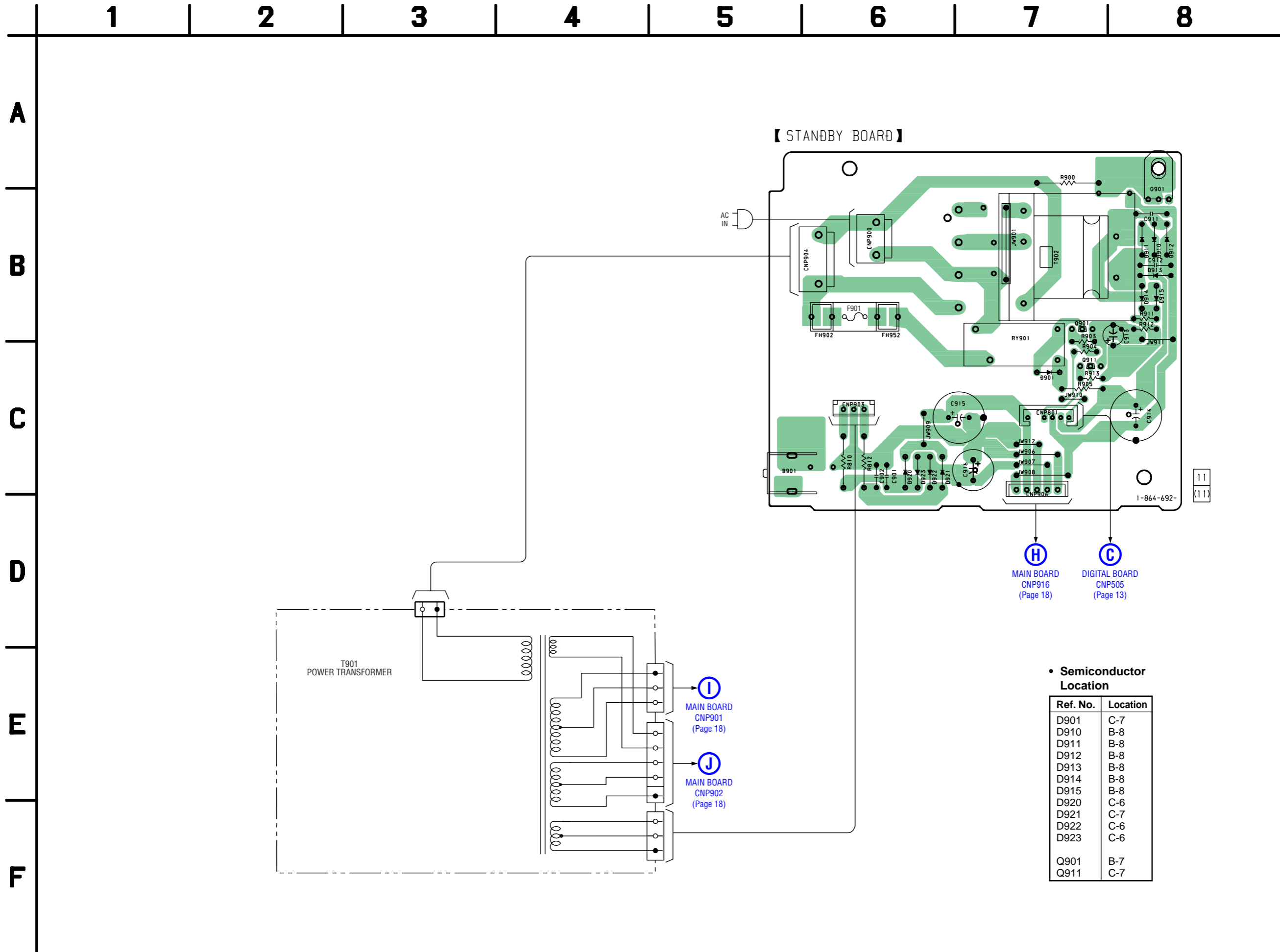
2 MAIN BOARD (3/3) (Page 21)

DIGITAL BOARD (2/4) CNP503 (Page 15)

DIGITAL BOARD (2/4) CNP504 (Page 15)

3-12. SCHEMATIC DIAGRAM — MAIN SECTION (3/3) —

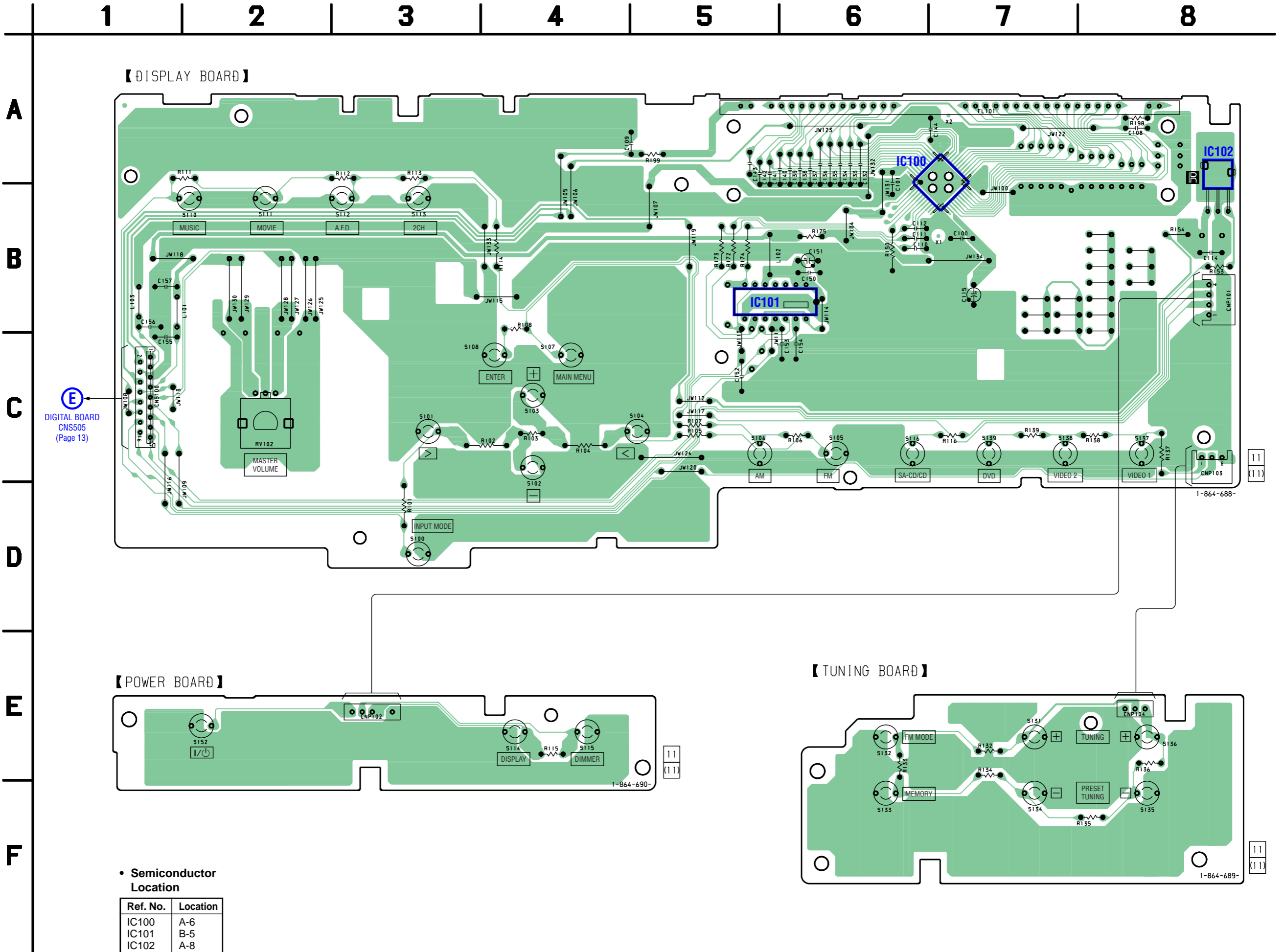




• Semiconductor Location

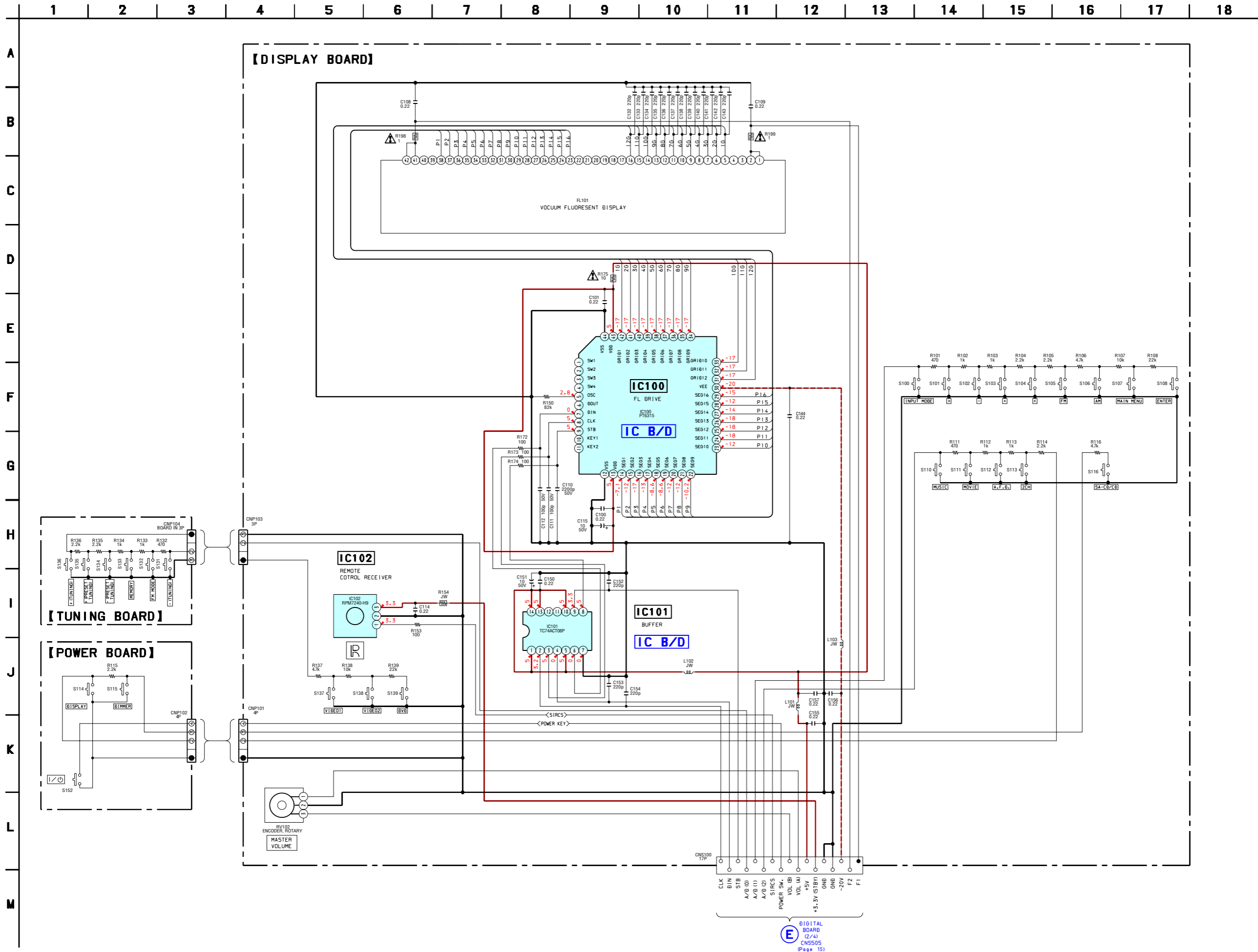
Ref. No.	Location
D901	C-7
D910	B-8
D911	B-8
D912	B-8
D913	B-8
D914	B-8
D915	B-8
D920	C-6
D921	C-7
D922	C-6
D923	C-6
Q901	B-7
Q911	C-7

3-14. PRINTED WIRING BOARD — DISPLAY SECTION —  :Uses unleaded solder. • See page 8 for Circuit Boards Location.

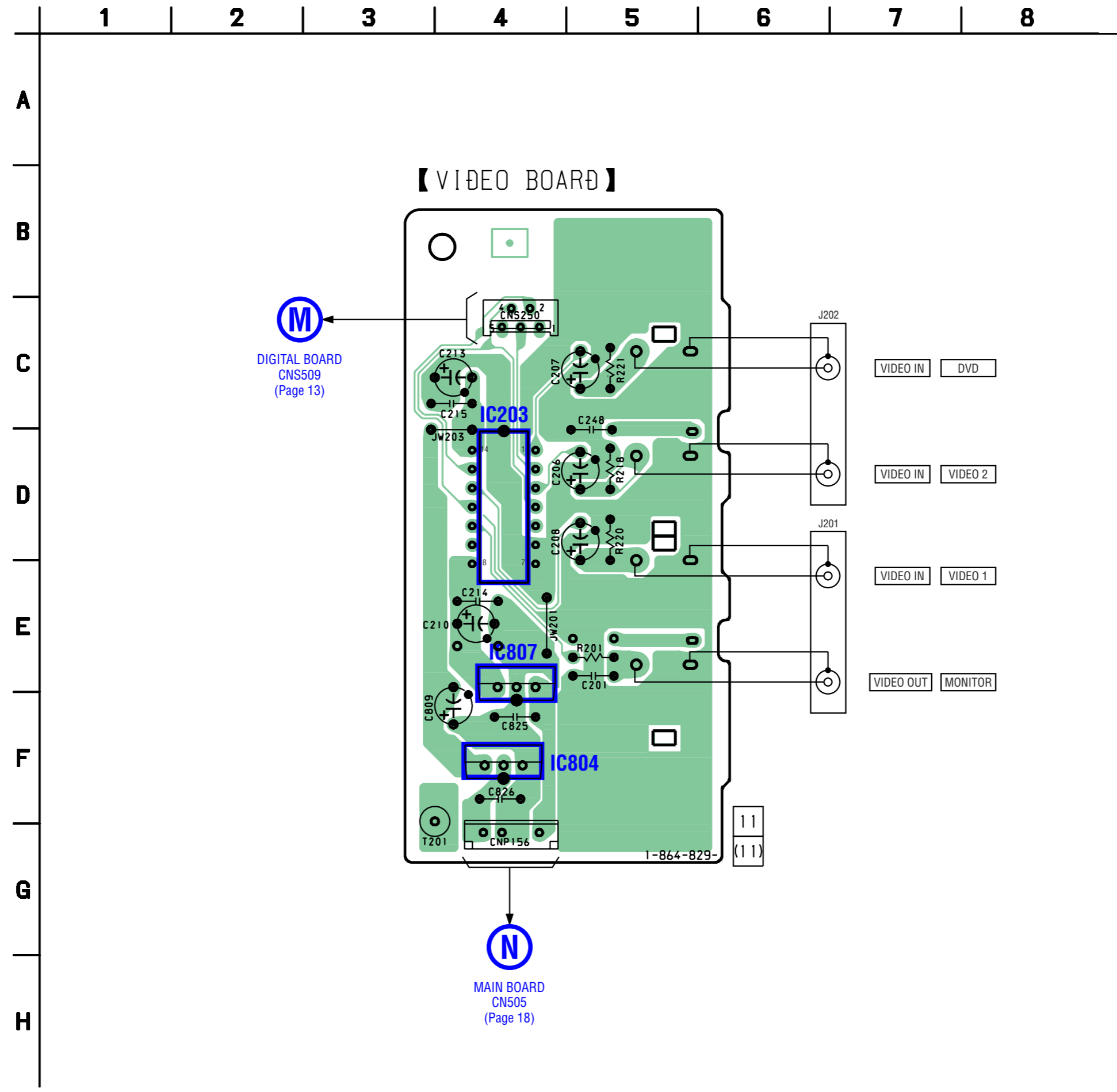


• Semiconductor Location

Ref. No.	Location
IC100	A-6
IC101	B-5
IC102	A-8

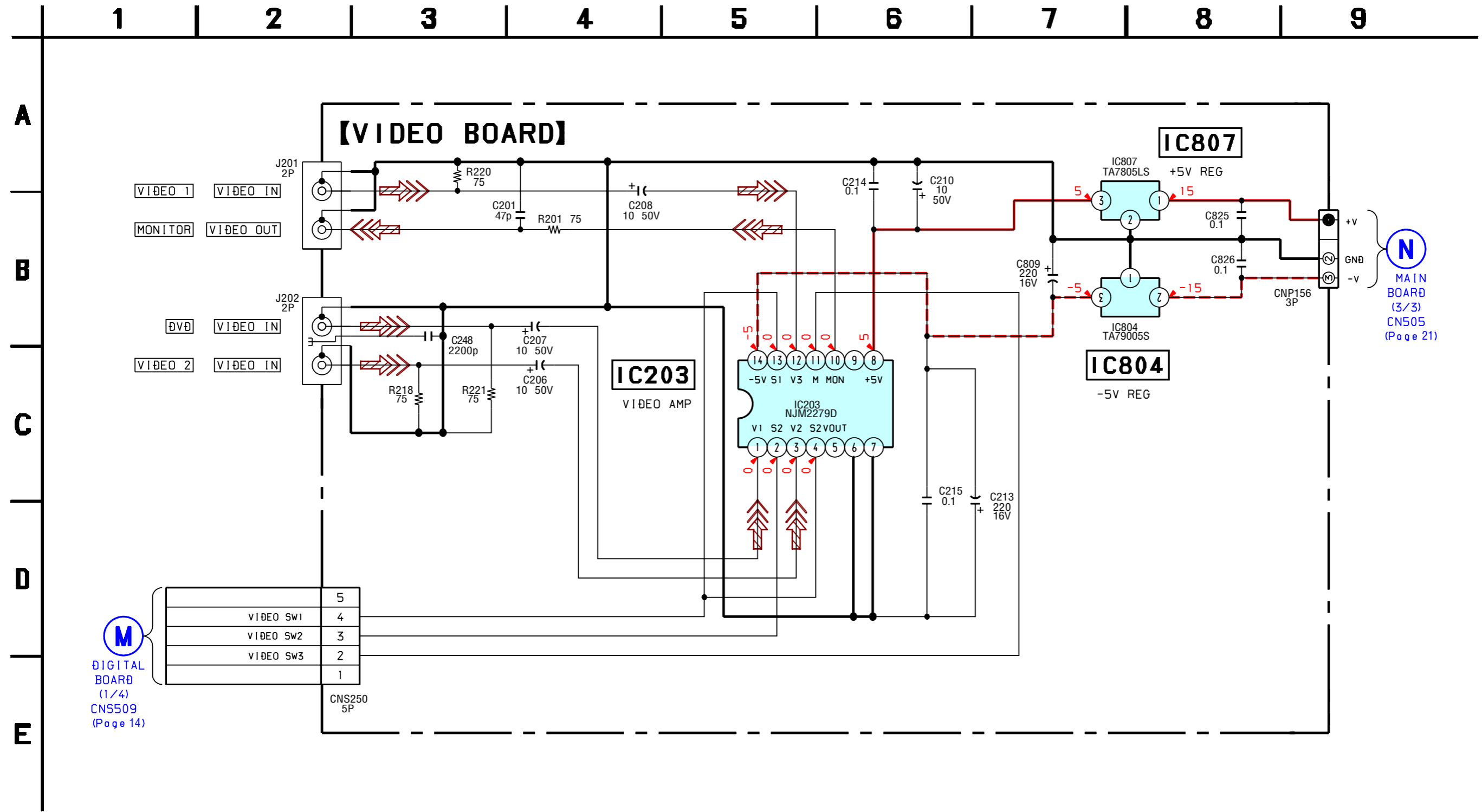


3-16. PRINTED WIRING BOARD — VIDEO BOARD —  :Uses unleaded solder. • See page 8 for Circuit Boards Location.



• Semiconductor Location

Ref. No.	Location
IC203	C-4
IC804	F-4
IC807	E-4

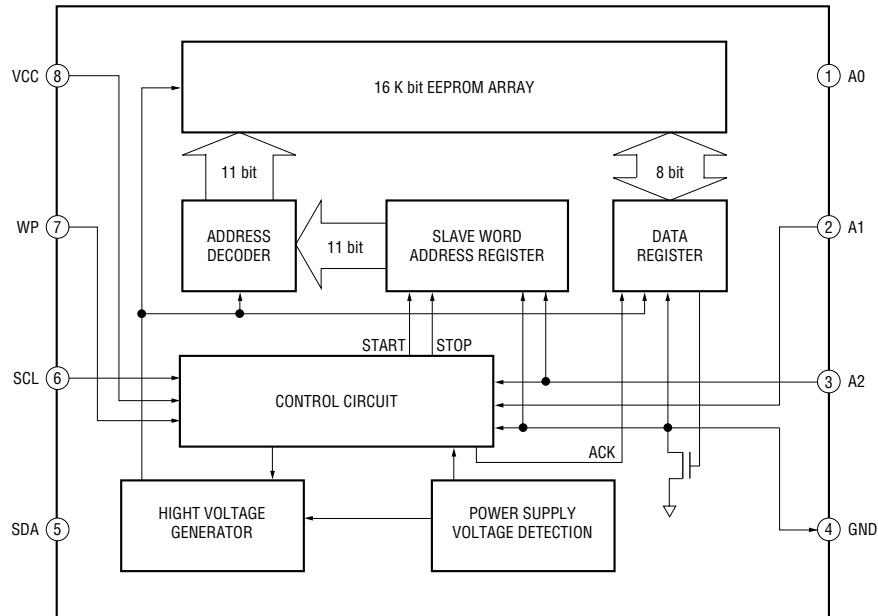


M
 DIGITAL BOARD (1/4)
 CNS509 (Page 14)

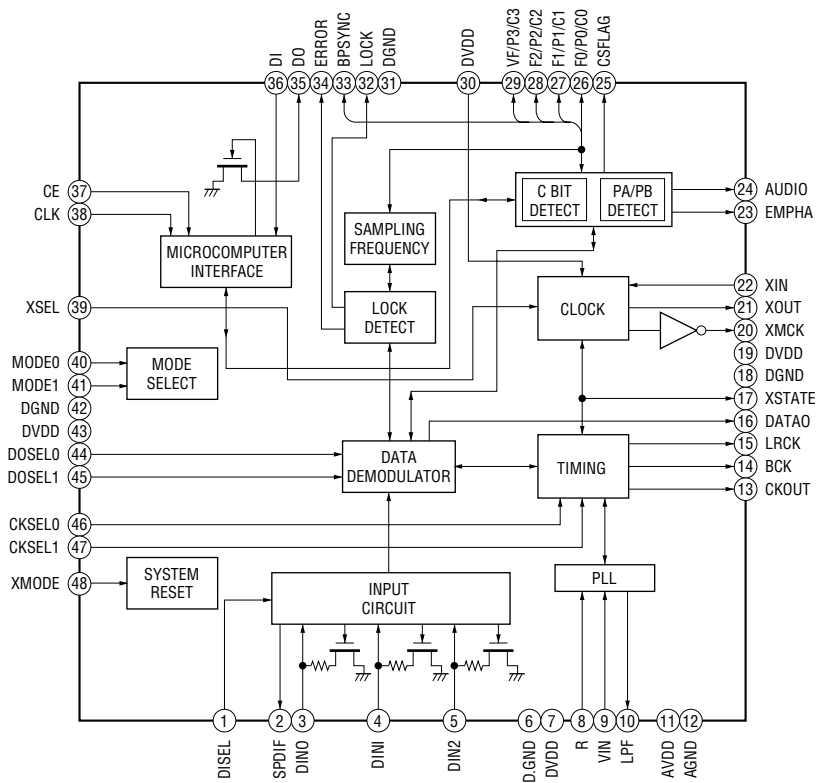
N
 MAIN BOARD (3/3)
 CNS505 (Page 21)

- IC Block Diagrams
- DIGITAL Board –

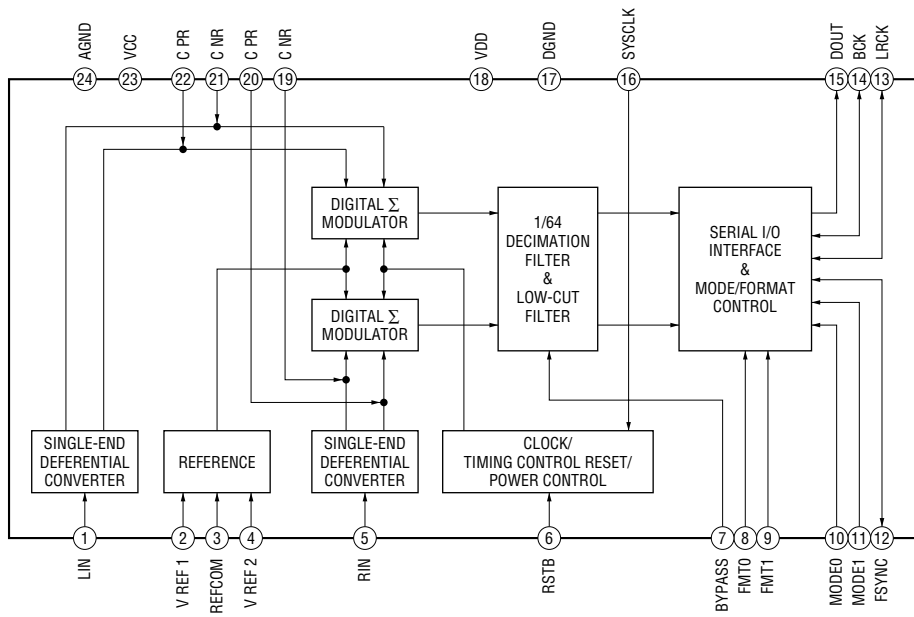
IC1131 BR24L16F-WE2



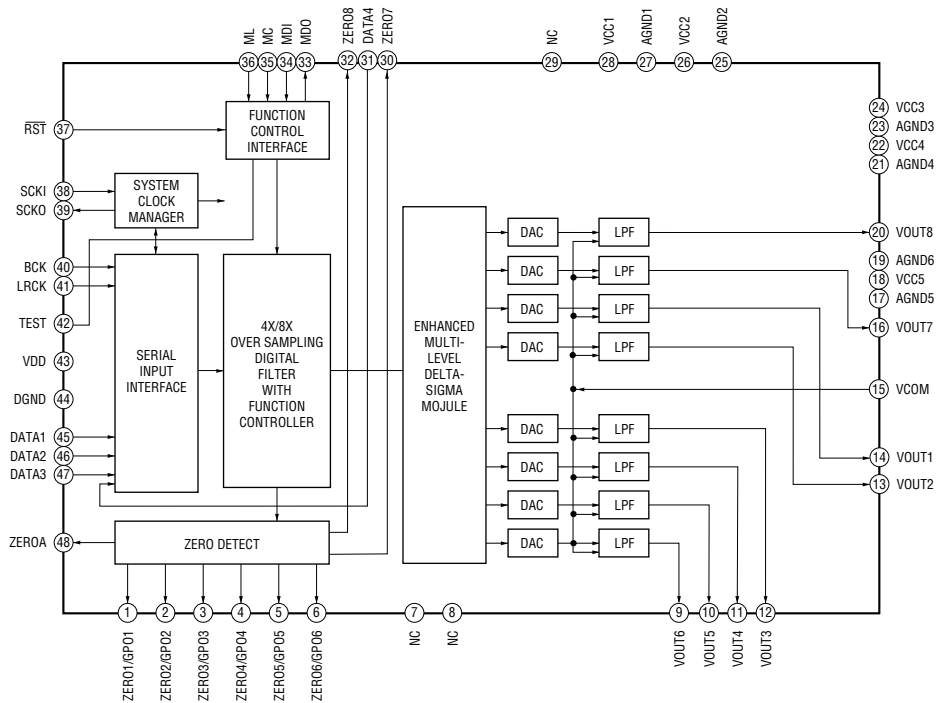
IC1301 LC89056W-E



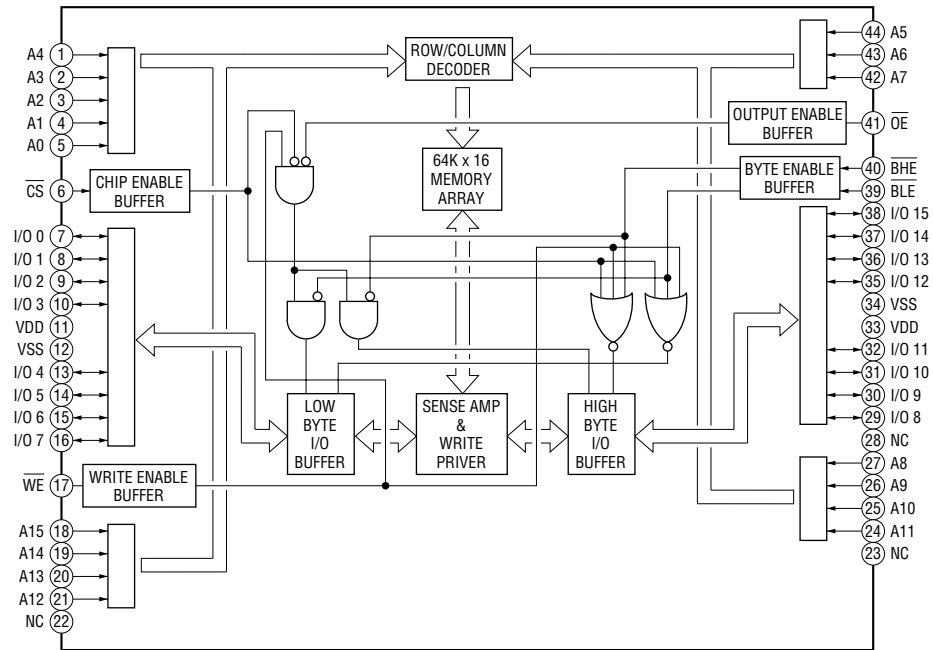
IC1401 PCM1800E/2K



IC1452 PCM1602KYG/2K

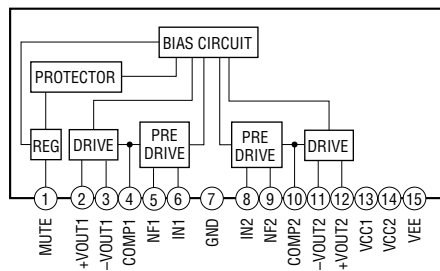


IC1502 IS61LV6416-10TLT



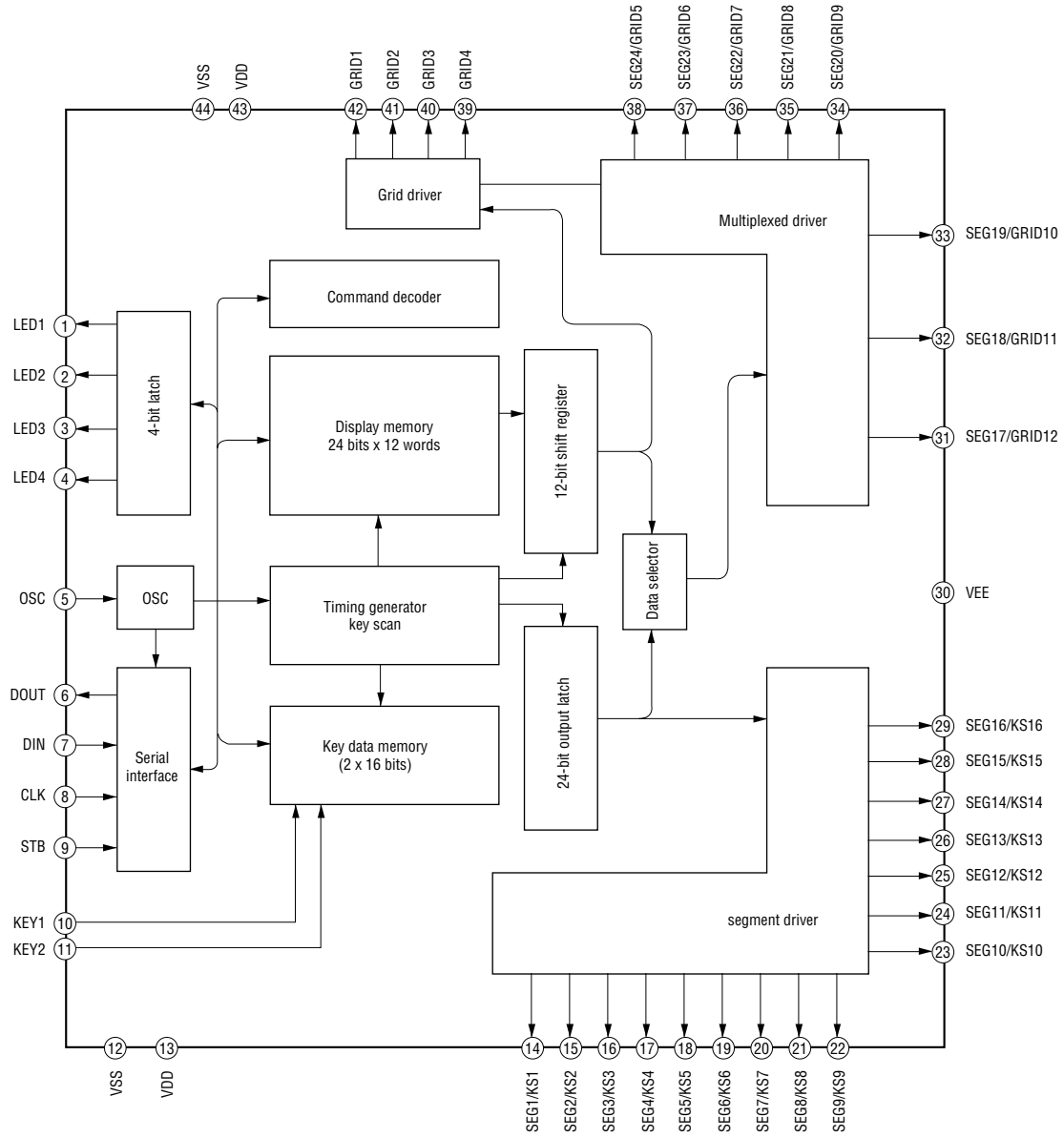
- MAIN Board -

IC501,601,701 uPC2581V-S

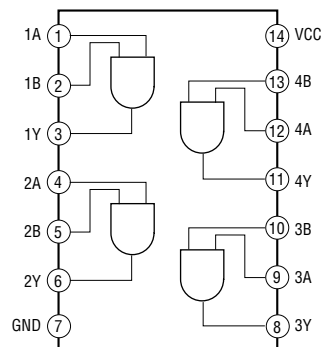


– DISPLAY Board –

IC100 PT6315



IC101 TC74ACT08P



• IC Pin Function Description

DIGITAL BOARD IC1101 MB90488BPF-G-137E1 (SYSTEM CONTROL)

Pin No.	Pin Name	I/O	Description
1	DATAO	I	Audio data signal input from DIR
2	GP9	I	GP9 signal input from DSP
3	BST	O	BST signal output to DSP
4	HCS	O	HCS signal output to DSP
5	HACN	I	HACN signal input from DSP
6	XRST	O	Reset signal output to DSP
7	PM	O	PM signal output to DSP
8	GP12	O	GP12 signal output to DSP
9	PCM1800RST	O	IC reset signal output to ADC
10	PCM1608RST	O	IC reset signal output to DAC
11	VSS	—	Ground terminal
12	PCM1608ML	O	Latch signal output to DAC
13	PCM1608MC	O	Clock signal output to DAC
14	PCM1608MDI	O	IC data output to DAC
15	PCM1608MDO	I	IC data input to DAC
16	T_CLK	O	Tuner clock signal output terminal
17	T_DI	O	Tuner data signal output terminal
18	HDOUT	I	HDOUT signal input from DSP
19	HDIN	O	HDIN signal output to DSP
20	HCLK	O	Clock signal output to DSP
21	DLY_B PASS	—	Connected to ground terminal
22	DIR/AD	—	Connected to ground terminal
23	VCC5	—	Power supply
24	SYS_MUTE	O	Muting and error signal output
25	ANA/DIG	O	Analog signal or digital signal output terminal
26	UPCON_RST	—	Not used
27	FLASH2/VOL_CL	O	Volume IC clock signal output terminal
28	FLASH1/VOL_DA	O	Volume IC data and latch signal output terminal
29	SDA	I	EEPROM data signal input terminal
30	SCL	O	EEPROM clock signal output terminal
31	ENC_A	—	Short to ground terminal
32	ENC_B	—	Short to ground terminal
33	UPCON	—	Not used
34	UPCON_CLK	—	Not used
35	AVCC	—	Analog power supply
36	AVRH	I	Analog reference voltage input
37	AVSS	—	Analog ground terminal
38	A/D0	I	Function key push signal input
39	A/D1	I	Function key push signal input
40	A/D2	I	Function key push signal input
41	VERSION	I	Version setting input terminal (DESTINATION)
42	VSS	—	Ground terminal
43	RDS SIG	I	RDS signal detect input
44	MODEL	I	Version setting input (MODEL)
45	VOL ENCODER (A)	I	Volume signal input from rotary encoder
46	VOL ENCODER (B)	I	Volume signal input from rotary encoder
47	BLUE LED	—	Not used

Pin No.	Pin Name	I/O	Description
48	STOP	I	AC off detect signal input
49	MD0	I	Operation mode setting input
50	MD1	I	Operation mode setting input
51	MD2	I	Operation mode setting input
52	RDS CLOCK	I	RDS clock signal input (Not used)
53	RDS DATA	I	RDS data signal input (Not used)
54	SIRCS	I	Data signal input from the remote control sensor
55	HP DETECT	I	Headphone signal input
56	POWER KEY	I	Power switch key detect signal input
57	FL_LAT	O	FL driver latch signal output terminal
58	POWER RY	O	Power relay control signal output
59	FL_DATA	O	FL driver signal output terminal
60	FL_CLK	O	FL driver clock signal output terminal
61	PROTECTOR	I	Protector status detect signal input
62	HP_RY	O	Headphone relay control signal output
63	FUSE DETECT	I	Fuse detect signal input
64	NTSC_PAL_SW	—	Short to ground terminal
65	COMPO_SW2	—	Short to ground terminal
66	FRONT_RY	O	Front speaker relay control signal output
67	SP_B RY	O	Front speaker B relay control signal output
68	C/SW RY	O	Center speaker or Subwoofer control signal output
69	REAR RY	O	Rear speaker relay control signal output
70	SW_RY	—	Short to ground terminal
71	COMPO_SW1	—	Short to ground terminal
72	BRIDGEABLE_RY	O	Bridgeable relay control
73	DO	I	Frequency data signal input from the tuner
74	SLATCH	O	Latch signal output to the tuner
75	TUNED	I	Tuning a frequency signal input from the tuner
76	STEREO	I	Stereo tuning signal input from the tuner
77	RSTX	I	System reset
78	MUTE	O	Muting signal output to the tuner
79	X1A	—	Not used
80	X0A	—	Ground terminal
81	VSS	—	Ground terminal
82	X0	—	Connection for a crystal resonator
83	X1	—	Connection for a crystal resonator
84	VCC3	—	Power supply
85	GROUPING_SW	—	Not used
86	SW1	O	Video select control signal output
87	SW2	O	Video select control signal output
88	SW3	O	Video select control signal output
89	SW4	O	Video select control signal output
90	SELECT2	—	Not used
91	SELECT1	—	Not used
92	BST_SEL	O	BST signal output terminal
93	XMODE	O	Reset signal output to DIR
94	CKSEL 1	O	CKSEL control signal to DIR
95	CLK	O	Clock signal output to DIR
96	CE	O	Chip enable signal output to DIR

Pin No.	Pin Name	I/O	Description
97	DI	O	Data signal output to DIR
98	DO	I	Data signal input from DIR
99	ERROR	I	PLL error muting signal input from DIR
100	XSTATE	I	XSTATE data signal input from DIR

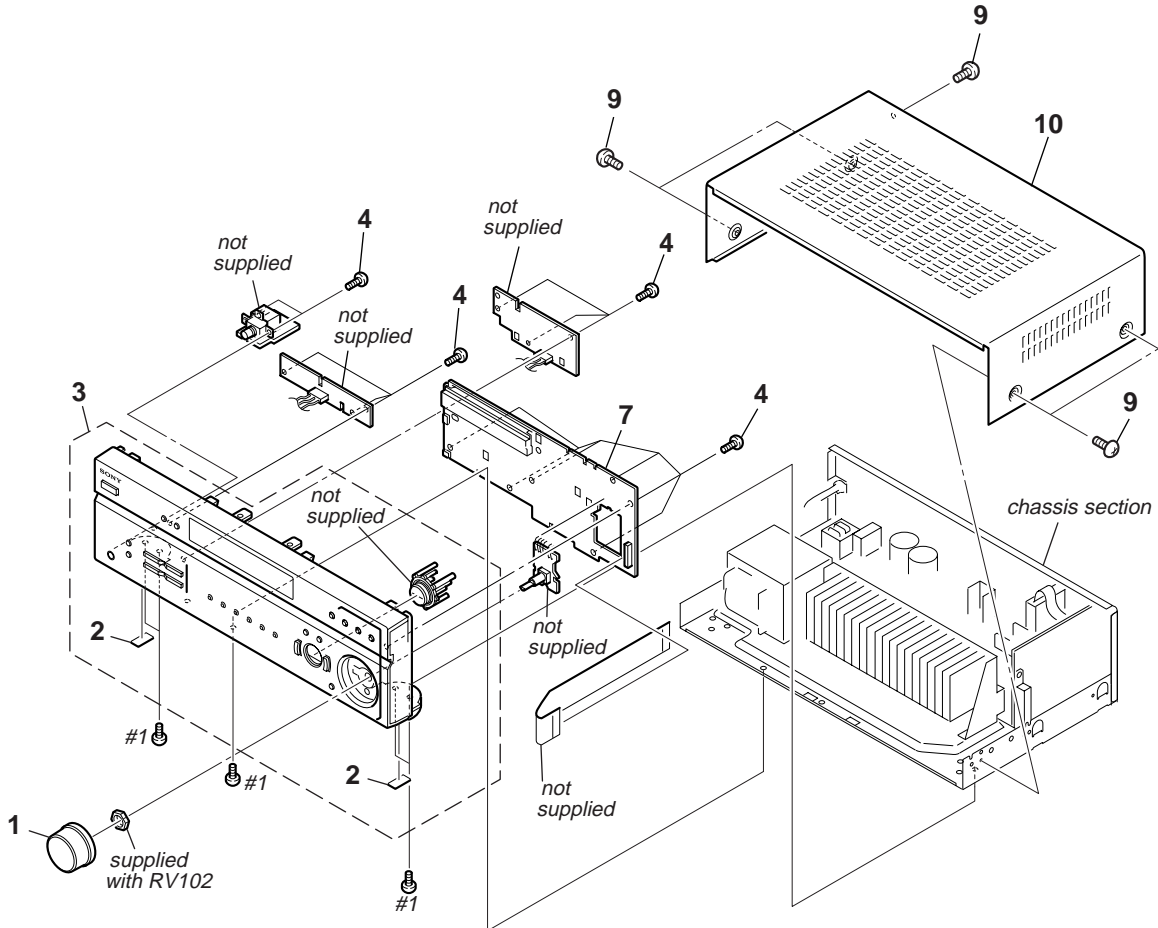
SECTION 4 EXPLODED VIEWS

NOTE:

- -XX and -X mean standardized parts, so they may have some difference from the original one.
- Items marked "*" are not stocked since they are seldom required for routine service. Some delay should be anticipated when ordering these items.
- The mechanical parts with no reference number in the exploded views are not supplied.

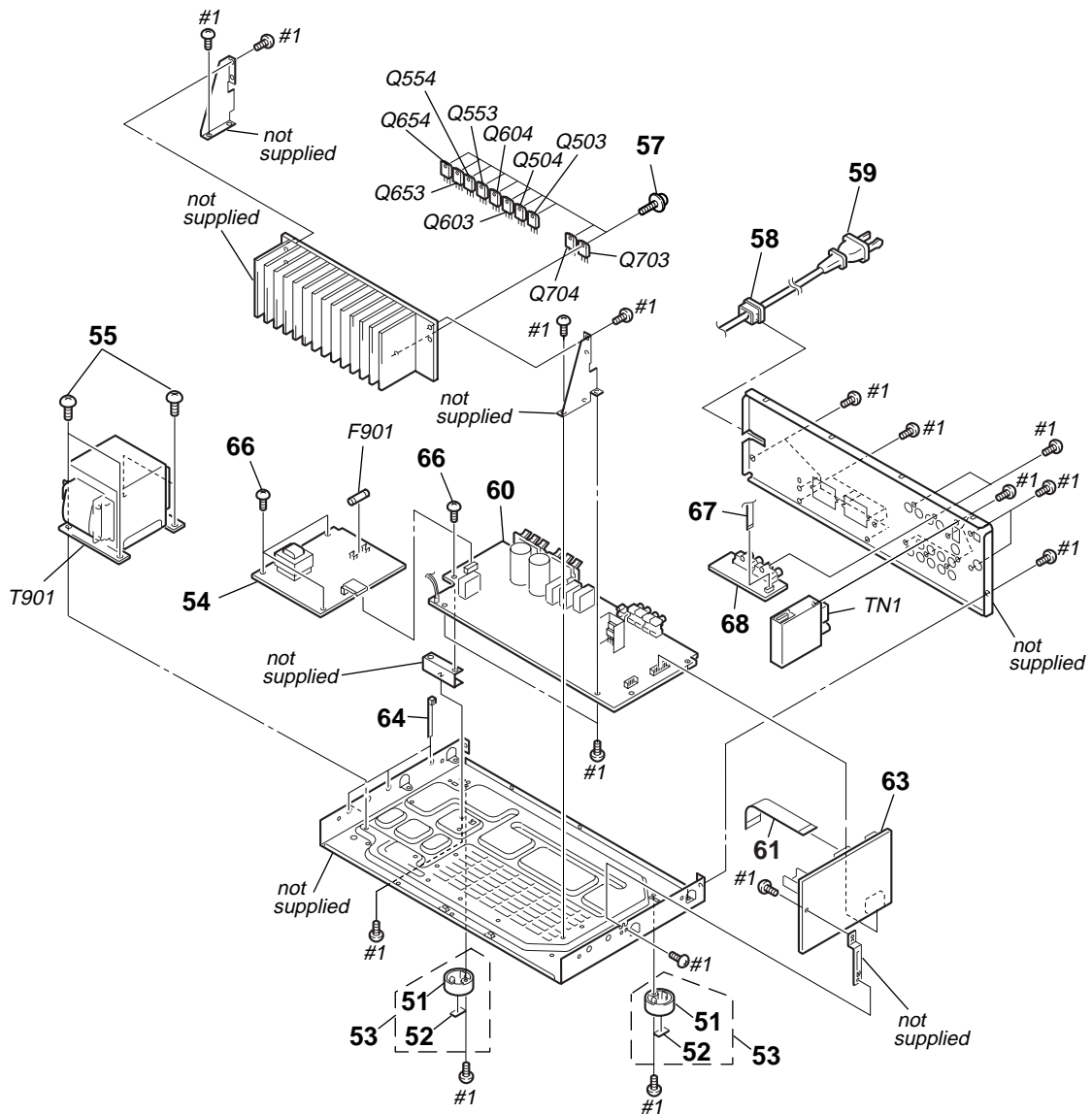
The components identified by mark \triangle or dotted line with mark \triangle are critical for safety. Replace only with part number specified.

4-1. FRONT PANEL SECTION



Ref. No.	Part No.	Description	Remark	Ref. No.	Part No.	Description	Remark
1	4-232-113-31	KNOB (VOL)		9	3-363-099-11	SCREW (CASE 3 TP2)	
2	4-977-358-01	CUSHION		10	4-245-939-61	CASE	
3	X-2024-608-1	FRONT PANEL ASSY		#1	7-685-646-79	SCREW +BVTP 3X8 TYPE2 IT-3	
4	3-087-053-01	+BVTP2.6 (3CR)					
7	A-1082-615-A	DISPLAY BOARD, COMPLETE					

4-2. CHASSIS SECTION



Ref. No.	Part No.	Description	Remark	Ref. No.	Part No.	Description	Remark
51	4-232-237-01	FOOT (DIA. 30)		△F901	1-533-452-12	FUSE, GLASS TUBE (DIA. 5) 4A/125V	
52	4-977-358-01	CUSHION		Q503	6-702-390-01	IC MN2488-OPY-MK	
53	X-4953-448-1	FOOT ASSY		Q504	6-702-391-01	IC MP1620-OPY-MK	
54	A-1082-613-A	STANDBY BOARD, COMPLETE		Q553	6-702-390-01	IC MN2488-OPY-MK	
55	4-249-675-01	+BV SUMITITE S 4X6 ROUND		Q554	6-702-391-01	IC MP1620-OPY-MK	
57	3-905-609-01	SCREW (TRANSISTOR)		Q603	6-702-390-01	IC MN2488-OPY-MK	
* 58	3-703-244-00	BUSHING (2104), CORD		Q604	6-702-391-01	IC MP1620-OPY-MK	
△59	1-783-820-11	CORD, POWER		Q653	6-702-390-01	IC MN2488-OPY-MK	
60	A-1084-034-A	MAIN BOARD, COMPLETE		Q654	6-702-391-01	IC MP1620-OPY-MK	
61	1-828-963-11	WIRE (FLAT TYPE) (11 CORE)		Q703	6-702-390-01	IC MN2488-OPY-MK	
63	A-1084-560-A	DIGITAL BOARD, COMPLETE		Q704	6-702-391-01	IC MP1620-OPY-MK	
64	3-701-748-00	CLAMP		△T901	1-443-248-11	POWER TRANSFORMER	
66	3-077-331-21	+BV3 (3-CR)		TN1	1-693-675-21	TUNER UNIT	
67	1-828-935-11	WIRE (FLAT TYPE) (5 CORE)		#1	7-685-646-79	SCREW +BVTP 3X8 TYPE2 IT-3	
68	A-1082-611-A	VIDEO BOARD, COMPLETE					

**SECTION 5
ELECTRICAL PARTS LIST**

DIGITAL

NOTE:

- Due to standardization, replacements in the parts list may be different from the parts specified in the diagrams or the components used on the set.
- -XX and -X mean standardized parts, so they may have some difference from the original one.
- Items marked “**” are not stocked since they are seldom required for routine service. Some delay should be anticipated when ordering these items.
- COILS
uH: μH

- CAPACITORS
uF: μF
- RESISTORS
All resistors are in ohms.
METAL: Metal-film resistor.
METAL OXIDE: Metal oxide-film resistor.
F: nonflammable
- SEMICONDUCTORS
In each case, u: μ, for example:
uA. . . : μA. . . uPA. . . : μPA. . .
uPB. . . : μPB. . . uPC. . . : μPC. . .
uPD. . . : μPD. . .

When indicating parts by reference number, please include the board name.

The components identified by mark \triangle or dotted line with mark \triangle are critical for safety. Replace only with part number specified.

Ref. No.	Part No.	Description	Remark	Ref. No.	Part No.	Description	Remark
	A-1084-560-A	DIGITAL BOARD, COMPLETE *****		C1308	1-100-566-91	CERAMIC CHIP 0.1uF	10% 25V
	7-685-646-79	SCREW +BVTP 3X8 TYPE2 IT-3 < CAPACITOR >		C1309	1-162-918-11	CERAMIC CHIP 18PF	5% 50V
C1001	1-126-925-91	ELECT 470uF	20% 10V	C1310	1-162-918-11	CERAMIC CHIP 18PF	5% 50V
C1002	1-100-566-91	CERAMIC CHIP 0.1uF	10% 25V	C1312	1-100-566-91	CERAMIC CHIP 0.1uF	10% 25V
C1004	1-164-227-11	CERAMIC CHIP 0.022uF	10% 16V	C1313	1-162-927-11	CERAMIC CHIP 100PF	5% 50V
C1021	1-100-566-91	CERAMIC CHIP 0.1uF	10% 25V	C1314	1-100-566-91	CERAMIC CHIP 0.1uF	10% 25V
C1022	1-126-925-91	ELECT 470uF	20% 10V	C1315	1-100-566-91	CERAMIC CHIP 0.1uF	10% 25V
C1031	1-100-566-91	CERAMIC CHIP 0.1uF	10% 25V	C1352	1-100-566-91	CERAMIC CHIP 0.1uF	10% 25V
C1032	1-126-925-91	ELECT 470uF	20% 10V	C1355	1-104-662-91	ELECT 22uF	20% 25V
C1100	1-100-566-91	CERAMIC CHIP 0.1uF	10% 25V	C1356	1-162-974-11	CERAMIC CHIP 0.01uF	50V
C1102	1-100-566-91	CERAMIC CHIP 0.1uF	10% 25V	C1357	1-162-905-11	CERAMIC CHIP 1PF	0.25PF 50V
C1103	1-126-947-11	ELECT 47uF	20% 16V	C1358	1-100-566-91	CERAMIC CHIP 0.1uF	10% 25V
C1107	1-100-566-91	CERAMIC CHIP 0.1uF	10% 25V	C1359	1-126-916-11	ELECT 1000uF	20% 6.3V
C1108	1-100-566-91	CERAMIC CHIP 0.1uF	10% 25V	C1360	1-162-923-11	CERAMIC CHIP 47PF	5% 50V
C1118	1-100-566-91	CERAMIC CHIP 0.1uF	10% 25V	C1361	1-100-566-91	CERAMIC CHIP 0.1uF	10% 25V
C1119	1-100-566-91	CERAMIC CHIP 0.1uF	10% 25V	C1362	1-100-566-91	CERAMIC CHIP 0.1uF	10% 25V
C1120	1-162-974-11	CERAMIC CHIP 0.01uF	50V	C1401	1-100-566-91	CERAMIC CHIP 0.1uF	10% 25V
C1121	1-100-566-91	CERAMIC CHIP 0.1uF	10% 25V	C1402	1-126-947-11	ELECT 47uF	20% 16V
C1122	1-100-566-91	CERAMIC CHIP 0.1uF	10% 25V	C1403	1-126-964-11	ELECT 10uF	20% 50V
C1123	1-100-566-91	CERAMIC CHIP 0.1uF	10% 25V	C1404	1-100-566-91	CERAMIC CHIP 0.1uF	10% 25V
C1124	1-100-566-91	CERAMIC CHIP 0.1uF	10% 25V	C1405	1-162-962-11	CERAMIC CHIP 470PF	10% 50V
C1126	1-162-960-11	CERAMIC CHIP 220PF	10% 50V	C1406	1-126-963-11	ELECT 4.7uF	20% 50V
C1129	1-162-974-11	CERAMIC CHIP 0.01uF	50V	C1407	1-126-963-11	ELECT 4.7uF	20% 50V
C1130	1-162-974-11	CERAMIC CHIP 0.01uF	50V	C1408	1-162-962-11	CERAMIC CHIP 470PF	10% 50V
C1137	1-162-970-11	CERAMIC CHIP 0.01uF	10% 25V	C1409	1-100-566-91	CERAMIC CHIP 0.1uF	10% 25V
C1138	1-100-566-91	CERAMIC CHIP 0.1uF	10% 25V	C1411	1-216-864-11	SHORT CHIP 0	
C1139	1-100-566-91	CERAMIC CHIP 0.1uF	10% 25V	C1418	1-126-964-11	ELECT 10uF	20% 50V
C1140	1-100-566-91	CERAMIC CHIP 0.1uF	10% 25V	C1422	1-216-864-11	SHORT CHIP 0	
C1142	1-100-566-91	CERAMIC CHIP 0.1uF	10% 25V	C1428	1-126-964-11	ELECT 10uF	20% 50V
C1149	1-162-960-11	CERAMIC CHIP 220PF	10% 50V	C1432	1-216-864-11	SHORT CHIP 0	
C1251	1-100-566-91	CERAMIC CHIP 0.1uF	10% 25V	C1438	1-126-964-11	ELECT 10uF	20% 50V
C1252	1-100-566-91	CERAMIC CHIP 0.1uF	10% 25V	C1441	1-216-864-11	SHORT CHIP 0	
C1253	1-100-566-91	CERAMIC CHIP 0.1uF	10% 25V	C1448	1-126-964-11	ELECT 10uF	20% 50V
C1254	1-162-960-11	CERAMIC CHIP 220PF	10% 50V	C1450	1-100-566-91	CERAMIC CHIP 0.1uF	10% 25V
C1255	1-162-960-11	CERAMIC CHIP 220PF	10% 50V	C1451	1-216-864-11	SHORT CHIP 0	
C1299	1-100-566-91	CERAMIC CHIP 0.1uF	10% 25V	C1454	1-100-566-91	CERAMIC CHIP 0.1uF	10% 25V
C1301	1-100-566-91	CERAMIC CHIP 0.1uF	10% 25V	C1457	1-126-964-11	ELECT 10uF	20% 50V
C1302	1-162-974-11	CERAMIC CHIP 0.01uF	50V	C1458	1-126-964-11	ELECT 10uF	20% 50V
C1303	1-100-566-91	CERAMIC CHIP 0.1uF	10% 25V	C1460	1-126-964-11	ELECT 10uF	20% 50V
C1304	1-162-974-11	CERAMIC CHIP 0.01uF	50V	C1462	1-216-864-11	SHORT CHIP 0	
C1305	1-100-566-91	CERAMIC CHIP 0.1uF	10% 25V	C1468	1-126-964-11	ELECT 10uF	20% 50V
C1306	1-126-947-11	ELECT 47uF	20% 16V	C1472	1-216-864-11	SHORT CHIP 0	
				C1478	1-126-964-11	ELECT 10uF	20% 50V
				C1483	1-216-864-11	SHORT CHIP 0	
				C1487	1-162-966-11	CERAMIC CHIP 0.0022uF	10% 50V
				C1488	1-126-964-11	ELECT 10uF	20% 50V

Ref. No.	Part No.	Description	Remark	Ref. No.	Part No.	Description	Remark
C1491	1-126-964-11	ELECT	10uF 20% 50V				
C1494	1-100-566-91	CERAMIC CHIP	0.1uF 10% 25V	D1106	8-719-988-61	DIODE 1SS355TE-17	
C1495	1-162-960-11	CERAMIC CHIP	220PF 10% 50V	D1107	8-719-988-61	DIODE 1SS355TE-17	
C1501	1-100-566-91	CERAMIC CHIP	0.1uF 10% 25V	D1108	8-719-988-61	DIODE 1SS355TE-17	
C1502	1-100-566-91	CERAMIC CHIP	0.1uF 10% 25V	D1110	8-719-988-61	DIODE 1SS355TE-17	
C1503	1-100-566-91	CERAMIC CHIP	0.1uF 10% 25V	D1111	8-719-988-61	DIODE 1SS355TE-17	
C1504	1-100-566-91	CERAMIC CHIP	0.1uF 10% 25V	D1301	8-719-988-61	DIODE 1SS355TE-17	
C1505	1-100-566-91	CERAMIC CHIP	0.1uF 10% 25V	D1302	8-719-988-61	DIODE 1SS355TE-17	
C1506	1-100-566-91	CERAMIC CHIP	0.1uF 10% 25V			< FERRITE BEAD >	
C1507	1-100-566-91	CERAMIC CHIP	0.1uF 10% 25V	FB1101	1-400-862-11	BEAD, FERRITE	
C1508	1-100-566-91	CERAMIC CHIP	0.1uF 10% 25V	FB1302	1-400-862-11	BEAD, FERRITE	
C1509	1-100-566-91	CERAMIC CHIP	0.1uF 10% 25V	FB1305	1-400-862-11	BEAD, FERRITE	
C1510	1-100-566-91	CERAMIC CHIP	0.1uF 10% 25V	FB1306	1-400-862-11	BEAD, FERRITE	
C1511	1-100-566-91	CERAMIC CHIP	0.1uF 10% 25V	FB1308	1-400-862-11	BEAD, FERRITE	
C1513	1-100-566-91	CERAMIC CHIP	0.1uF 10% 25V	FB1405	1-400-862-11	BEAD, FERRITE	
C1514	1-100-566-91	CERAMIC CHIP	0.1uF 10% 25V	FB1452	1-400-862-11	BEAD, FERRITE	
C1515	1-126-925-91	ELECT	470uF 20% 10V	FB1453	1-400-862-11	BEAD, FERRITE	
C1516	1-100-566-91	CERAMIC CHIP	0.1uF 10% 25V	FB1501	1-400-862-11	BEAD, FERRITE	
C1517	1-126-925-91	ELECT	470uF 20% 10V	FB1502	1-400-862-11	BEAD, FERRITE	
C1518	1-100-566-91	CERAMIC CHIP	0.1uF 10% 25V	FB1503	1-400-862-11	BEAD, FERRITE	
C1519	1-100-566-91	CERAMIC CHIP	0.1uF 10% 25V			< IC >	
C1520	1-100-566-91	CERAMIC CHIP	0.1uF 10% 25V	IC1001	8-759-231-53	IC TA7805S	
C1521	1-162-920-11	CERAMIC CHIP	27PF 5% 50V	IC1031	6-705-464-01	IC BA50BC0T	
C1522	1-162-920-11	CERAMIC CHIP	27PF 5% 50V	IC1101	6-805-148-01	IC MB90488BPF-G-137E1	
C1525	1-126-925-91	ELECT	470uF 20% 10V	IC1111	6-702-913-01	IC S-80929CNMC-G8ZT2G	
C1547	1-162-966-11	CERAMIC CHIP	0.0022uF 10% 50V	IC1131	6-704-004-01	IC BR24L16F-WE2	
C1566	1-162-966-11	CERAMIC CHIP	0.0022uF 10% 50V	IC1301	8-759-825-15	IC LC89056W-E	
C1567	1-162-966-11	CERAMIC CHIP	0.0022uF 10% 50V	IC1303	8-759-242-70	IC TC7WU04F (TE12R)	
C1568	1-162-966-11	CERAMIC CHIP	0.0022uF 10% 50V	IC1352	6-600-014-01	IC TORX141L (SA-CD/CD IN)	
C1569	1-162-966-11	CERAMIC CHIP	0.0022uF 10% 50V	IC1401	8-759-560-56	IC PCM1800E/2K	
C1604	1-100-566-91	CERAMIC CHIP	0.1uF 10% 25V	IC1452	6-705-022-01	IC PCM1602KYG/2K	
C1605	1-100-566-91	CERAMIC CHIP	0.1uF 10% 25V	IC1501	6-705-843-01	IC CXD9720BQ	
C1620	1-100-566-91	CERAMIC CHIP	0.1uF 10% 25V	IC1502	6-704-037-01	IC IS61LV6416-10TLT	
C1905	1-100-566-91	CERAMIC CHIP	0.1uF 10% 25V	IC1503	8-759-546-74	IC TC7WH157FU (TE12R)	
C1906	1-126-925-91	ELECT	470uF 20% 10V	IC1901	6-701-887-02	IC SI-3004KWF	
C1908	1-126-925-91	ELECT	470uF 20% 10V	IC1902	6-703-550-01	IC TA7809LS	
C1913	1-100-566-91	CERAMIC CHIP	0.1uF 10% 25V	IC1904	6-705-463-01	IC BA33BC0T	
C1914	1-126-947-11	ELECT	47uF 20% 16V			< JACK >	
		< CONNECTOR >		J1301	1-794-972-11	JACK, PIN 1P (DVD IN COAXIAL)	
CNP503	1-779-977-11	PIN, CONNECTOR 6P				< SHORT >	
CNP504	1-784-922-11	PIN, CONNECTOR 5P		JR1202	1-216-864-11	SHORT CHIP	0
CNP505	1-779-799-11	PIN, CONNECTOR 9P		JR1201	1-211-950-11	SHORT CHIP	0
		< CONNECTOR >		JR1202	1-216-864-11	SHORT CHIP	0
CNS501	1-573-829-11	CONNECTOR, BOARD TO BOARD 15P		JR1203	1-216-296-11	SHORT CHIP	0
CNS502	1-766-719-41	CONNECTOR, BOARD TO BOARD 10P		JR1204	1-211-950-11	SHORT CHIP	0
CNS504	1-568-826-11	CONNECTOR, FFC 7P		JR1206	1-211-950-11	SHORT CHIP	0
CNS505	1-784-778-11	CONNECTOR, FFC 17P		JR1211	1-216-296-11	SHORT CHIP	0
CNS508	1-568-830-11	CONNECTOR, FFC 11P		JR1212	1-216-296-11	SHORT CHIP	0
CNS509	1-784-766-11	CONNECTOR, FFC 5P		JR1214	1-216-296-11	SHORT CHIP	0
		< DIODE >		JR1215	1-216-296-11	SHORT CHIP	0
D1001	8-719-053-18	DIODE 1SR154-400TE-25		JR1301	1-216-864-11	SHORT CHIP	0
D1003	8-719-049-09	DIODE 1SS367-T3SONY		JR1501	1-216-864-11	SHORT CHIP	0
D1004	8-719-049-09	DIODE 1SS367-T3SONY		JR1511	1-400-862-11	BEAD, FERRITE	
D1103	8-719-988-61	DIODE 1SS355TE-17					
D1105	8-719-988-61	DIODE 1SS355TE-17					

STR-K675P

DIGITAL

Ref. No.	Part No.	Description	Remark	Ref. No.	Part No.	Description	Remark
< TRANSISTOR >				R1129	1-216-809-11	METAL CHIP	100 5% 1/10W
Q1103	8-729-027-43	TRANSISTOR	RT1N141C-TP-1	R1132	1-216-833-11	METAL CHIP	10K 5% 1/10W
Q1104	8-729-230-49	TRANSISTOR	2SC2712-YG-TE85L	R1134	1-216-809-11	METAL CHIP	100 5% 1/10W
Q1105	8-729-230-49	TRANSISTOR	2SC2712-YG-TE85L	R1135	1-216-809-11	METAL CHIP	100 5% 1/10W
< RESISTOR >				R1136	1-216-809-11	METAL CHIP	100 5% 1/10W
R1018	1-216-864-11	SHORT CHIP	0	R1137	1-216-809-11	METAL CHIP	100 5% 1/10W
R1019	1-216-864-11	SHORT CHIP	0	R1138	1-216-833-11	METAL CHIP	10K 5% 1/10W
R1035	1-216-825-11	METAL CHIP	2.2K 5% 1/10W	R1140	1-216-809-11	METAL CHIP	100 5% 1/10W
R1039	1-216-833-11	METAL CHIP	10K 5% 1/10W	R1142	1-216-809-11	METAL CHIP	100 5% 1/10W
R1041	1-216-809-11	METAL CHIP	100 5% 1/10W	R1143	1-216-809-11	METAL CHIP	100 5% 1/10W
R1042	1-216-809-11	METAL CHIP	100 5% 1/10W	R1144	1-216-809-11	METAL CHIP	100 5% 1/10W
R1044	1-216-809-11	METAL CHIP	100 5% 1/10W	R1147	1-216-833-11	METAL CHIP	10K 5% 1/10W
R1049	1-216-833-11	METAL CHIP	10K 5% 1/10W	R1149	1-216-809-11	METAL CHIP	100 5% 1/10W
R1052	1-216-833-11	METAL CHIP	10K 5% 1/10W	R1150	1-216-809-11	METAL CHIP	100 5% 1/10W
R1053	1-216-833-11	METAL CHIP	10K 5% 1/10W	R1151	1-216-809-11	METAL CHIP	100 5% 1/10W
R1065	1-216-809-11	METAL CHIP	100 5% 1/10W	R1152	1-216-809-11	METAL CHIP	100 5% 1/10W
R1066	1-216-809-11	METAL CHIP	100 5% 1/10W	R1153	1-216-809-11	METAL CHIP	100 5% 1/10W
R1067	1-216-809-11	METAL CHIP	100 5% 1/10W	R1154	1-216-809-11	METAL CHIP	100 5% 1/10W
R1068	1-216-809-11	METAL CHIP	100 5% 1/10W	R1155	1-216-809-11	METAL CHIP	100 5% 1/10W
R1071	1-216-833-11	METAL CHIP	10K 5% 1/10W	R1159	1-216-827-11	METAL CHIP	3.3K 5% 1/10W
R1072	1-216-833-11	METAL CHIP	10K 5% 1/10W	R1160	1-216-809-11	METAL CHIP	100 5% 1/10W
R1073	1-216-833-11	METAL CHIP	10K 5% 1/10W	R1161	1-216-809-11	METAL CHIP	100 5% 1/10W
R1075	1-216-833-11	METAL CHIP	10K 5% 1/10W	R1162	1-216-809-11	METAL CHIP	100 5% 1/10W
R1076	1-216-809-11	METAL CHIP	100 5% 1/10W	R1163	1-216-841-11	METAL CHIP	47K 5% 1/10W
R1077	1-216-809-11	METAL CHIP	100 5% 1/10W	R1164	1-216-825-11	METAL CHIP	2.2K 5% 1/10W
R1078	1-216-809-11	METAL CHIP	100 5% 1/10W	R1167	1-216-809-11	METAL CHIP	100 5% 1/10W
R1079	1-216-833-11	METAL CHIP	10K 5% 1/10W	R1168	1-216-809-11	METAL CHIP	100 5% 1/10W
R1083	1-216-833-11	METAL CHIP	10K 5% 1/10W	R1175	1-216-809-11	METAL CHIP	100 5% 1/10W
R1088	1-216-833-11	METAL CHIP	10K 5% 1/10W	R1176	1-216-833-11	METAL CHIP	10K 5% 1/10W
R1094	1-216-833-11	METAL CHIP	10K 5% 1/10W	R1177	1-216-833-11	METAL CHIP	10K 5% 1/10W
R1095	1-216-833-11	METAL CHIP	10K 5% 1/10W	R1178	1-216-833-11	METAL CHIP	10K 5% 1/10W
R1096	1-216-833-11	METAL CHIP	10K 5% 1/10W	R1179	1-216-833-11	METAL CHIP	10K 5% 1/10W
R1097	1-216-845-11	METAL CHIP	100K 5% 1/10W	R1180	1-216-833-11	METAL CHIP	10K 5% 1/10W
R1098	1-216-833-11	METAL CHIP	10K 5% 1/10W	R1186	1-216-833-11	METAL CHIP	10K 5% 1/10W
R1099	1-216-833-11	METAL CHIP	10K 5% 1/10W	R1187	1-216-833-11	METAL CHIP	10K 5% 1/10W
R1105	1-216-833-11	METAL CHIP	10K 5% 1/10W	R1189	1-216-833-11	METAL CHIP	10K 5% 1/10W
R1106	1-216-809-11	METAL CHIP	100 5% 1/10W	R1190	1-216-833-11	METAL CHIP	10K 5% 1/10W
R1107	1-216-825-11	METAL CHIP	2.2K 5% 1/10W	R1194	1-216-864-11	SHORT CHIP	0
R1108	1-216-825-11	METAL CHIP	2.2K 5% 1/10W	R1201	1-216-837-11	METAL CHIP	22K 5% 1/10W
R1109	1-216-825-11	METAL CHIP	2.2K 5% 1/10W	R1251	1-216-840-11	METAL CHIP	39K 5% 1/10W
R1110	1-216-825-11	METAL CHIP	2.2K 5% 1/10W	R1252	1-216-840-11	METAL CHIP	39K 5% 1/10W
R1111	1-216-825-11	METAL CHIP	2.2K 5% 1/10W	R1260	1-216-821-11	METAL CHIP	1K 5% 1/10W
R1112	1-216-809-11	METAL CHIP	100 5% 1/10W	R1261	1-216-821-11	METAL CHIP	1K 5% 1/10W
R1113	1-216-809-11	METAL CHIP	100 5% 1/10W	R1301	1-216-830-11	METAL CHIP	5.6K 5% 1/10W
R1114	1-216-825-11	METAL CHIP	2.2K 5% 1/10W	R1302	1-216-829-11	METAL CHIP	4.7K 5% 1/10W
R1115	1-216-809-11	METAL CHIP	100 5% 1/10W	R1303	1-216-839-11	METAL CHIP	33K 5% 1/10W
R1117	1-216-821-11	METAL CHIP	1K 5% 1/10W	R1304	1-216-809-11	METAL CHIP	100 5% 1/10W
R1118	1-216-821-11	METAL CHIP	1K 5% 1/10W	R1305	1-216-817-11	METAL CHIP	470 5% 1/10W
R1119	1-216-821-11	METAL CHIP	1K 5% 1/10W	R1306	1-216-809-11	METAL CHIP	100 5% 1/10W
R1120	1-216-821-11	METAL CHIP	1K 5% 1/10W	R1307	1-216-809-11	METAL CHIP	100 5% 1/10W
R1121	1-216-809-11	METAL CHIP	100 5% 1/10W	R1308	1-216-809-11	METAL CHIP	100 5% 1/10W
R1122	1-216-809-11	METAL CHIP	100 5% 1/10W	R1309	1-216-809-11	METAL CHIP	100 5% 1/10W
R1123	1-216-809-11	METAL CHIP	100 5% 1/10W	R1310	1-216-857-11	METAL CHIP	1M 5% 1/10W
R1124	1-216-809-11	METAL CHIP	100 5% 1/10W	R1311	1-216-809-11	METAL CHIP	100 5% 1/10W
R1127	1-216-809-11	METAL CHIP	100 5% 1/10W	R1312	1-216-809-11	METAL CHIP	100 5% 1/10W
R1128	1-216-809-11	METAL CHIP	100 5% 1/10W	R1313	1-216-809-11	METAL CHIP	100 5% 1/10W
				R1314	1-216-833-11	METAL CHIP	10K 5% 1/10W
				R1315	1-216-809-11	METAL CHIP	100 5% 1/10W

DIGITAL DISPLAY

Ref. No.	Part No.	Description	Quantity	Percentage	Remark	Ref. No.	Part No.	Description	Quantity	Percentage	Remark
R1316	1-216-809-11	METAL CHIP	100	5%	1/10W	R1515	1-216-857-11	METAL CHIP	1M	5%	1/10W
R1318	1-216-833-11	METAL CHIP	10K	5%	1/10W	R1517	1-216-813-11	METAL CHIP	220	5%	1/10W
R1352	1-216-809-11	METAL CHIP	100	5%	1/10W	R1518	1-216-813-11	METAL CHIP	220	5%	1/10W
R1355	1-218-285-11	METAL CHIP	75	5%	1/10W	R1519	1-216-813-11	METAL CHIP	220	5%	1/10W
R1356	1-216-821-11	METAL CHIP	1K	5%	1/10W	R1520	1-216-813-11	METAL CHIP	220	5%	1/10W
R1357	1-216-837-11	METAL CHIP	22K	5%	1/10W	R1521	1-216-813-11	METAL CHIP	220	5%	1/10W
R1358	1-216-854-11	METAL CHIP	560K	5%	1/10W	R1522	1-216-813-11	METAL CHIP	220	5%	1/10W
R1359	1-216-809-11	METAL CHIP	100	5%	1/10W	R1523	1-216-813-11	METAL CHIP	220	5%	1/10W
R1360	1-216-809-11	METAL CHIP	100	5%	1/10W	R1524	1-216-864-11	SHORT CHIP	0		
R1362	1-216-809-11	METAL CHIP	100	5%	1/10W	R1525	1-216-813-11	METAL CHIP	220	5%	1/10W
R1401	1-216-821-11	METAL CHIP	1K	5%	1/10W	R1526	1-216-813-11	METAL CHIP	220	5%	1/10W
R1402	1-216-825-11	METAL CHIP	2.2K	5%	1/10W	R1527	1-216-813-11	METAL CHIP	220	5%	1/10W
R1403	1-216-833-11	METAL CHIP	10K	5%	1/10W	R1528	1-216-813-11	METAL CHIP	220	5%	1/10W
R1407	1-216-809-11	METAL CHIP	100	5%	1/10W	R1532	1-216-813-11	METAL CHIP	220	5%	1/10W
R1416	1-216-821-11	METAL CHIP	1K	5%	1/10W	R1533	1-216-813-11	METAL CHIP	220	5%	1/10W
R1420	1-216-864-11	SHORT CHIP	0			R1534	1-216-813-11	METAL CHIP	220	5%	1/10W
R1421	1-216-864-11	SHORT CHIP	0			R1535	1-216-813-11	METAL CHIP	220	5%	1/10W
R1425	1-216-864-11	SHORT CHIP	0			R1536	1-216-813-11	METAL CHIP	220	5%	1/10W
R1426	1-216-821-11	METAL CHIP	1K	5%	1/10W	R1537	1-216-813-11	METAL CHIP	220	5%	1/10W
R1435	1-216-864-11	SHORT CHIP	0			R1538	1-216-813-11	METAL CHIP	220	5%	1/10W
R1436	1-216-821-11	METAL CHIP	1K	5%	1/10W	R1539	1-216-813-11	METAL CHIP	220	5%	1/10W
R1445	1-216-864-11	SHORT CHIP	0			R1540	1-216-813-11	METAL CHIP	220	5%	1/10W
R1446	1-216-821-11	METAL CHIP	1K	5%	1/10W	R1541	1-216-813-11	METAL CHIP	220	5%	1/10W
R1455	1-216-864-11	SHORT CHIP	0			R1542	1-216-813-11	METAL CHIP	220	5%	1/10W
R1456	1-216-821-11	METAL CHIP	1K	5%	1/10W	R1543	1-216-813-11	METAL CHIP	220	5%	1/10W
R1460	1-216-864-11	SHORT CHIP	0			R1544	1-216-813-11	METAL CHIP	220	5%	1/10W
R1461	1-216-864-11	SHORT CHIP	0			R1545	1-216-813-11	METAL CHIP	220	5%	1/10W
R1464	1-216-864-11	SHORT CHIP	0			R1546	1-216-813-11	METAL CHIP	220	5%	1/10W
R1466	1-216-821-11	METAL CHIP	1K	5%	1/10W	R1547	1-216-813-11	METAL CHIP	220	5%	1/10W
R1470	1-216-864-11	SHORT CHIP	0			R1548	1-216-813-11	METAL CHIP	220	5%	1/10W
R1471	1-216-864-11	SHORT CHIP	0			R1549	1-216-813-11	METAL CHIP	220	5%	1/10W
R1472	1-216-864-11	SHORT CHIP	0			R1550	1-216-813-11	METAL CHIP	220	5%	1/10W
R1474	1-216-833-11	METAL CHIP	10K	5%	1/10W	R1551	1-216-813-11	METAL CHIP	220	5%	1/10W
R1475	1-216-864-11	SHORT CHIP	0			R1552	1-216-813-11	METAL CHIP	220	5%	1/10W
R1476	1-216-821-11	METAL CHIP	1K	5%	1/10W	R1553	1-216-813-11	METAL CHIP	220	5%	1/10W
R1484	1-216-864-11	SHORT CHIP	0			R1554	1-216-813-11	METAL CHIP	220	5%	1/10W
R1486	1-216-821-11	METAL CHIP	1K	5%	1/10W	R1555	1-216-813-11	METAL CHIP	220	5%	1/10W
R1490	1-216-864-11	SHORT CHIP	0			R1556	1-216-809-11	METAL CHIP	100	5%	1/10W
R1491	1-216-864-11	SHORT CHIP	0			R1570	1-216-833-11	METAL CHIP	10K	5%	1/10W
R1492	1-216-864-11	SHORT CHIP	0			R1571	1-216-833-11	METAL CHIP	10K	5%	1/10W
R1493	1-216-864-11	SHORT CHIP	0			R1572	1-216-833-11	METAL CHIP	10K	5%	1/10W
R1494	1-216-864-11	SHORT CHIP	0			R1573	1-216-833-11	METAL CHIP	10K	5%	1/10W
R1495	1-216-864-11	SHORT CHIP	0			R1574	1-216-833-11	METAL CHIP	10K	5%	1/10W
R1501	1-216-809-11	METAL CHIP	100	5%	1/10W	R1635	1-216-825-11	METAL CHIP	2.2K	5%	1/10W
R1502	1-216-809-11	METAL CHIP	100	5%	1/10W	R1636	1-216-825-11	METAL CHIP	2.2K	5%	1/10W
R1503	1-216-813-11	METAL CHIP	220	5%	1/10W						
R1504	1-216-809-11	METAL CHIP	100	5%	1/10W			< VIBRATOR >			
R1505	1-216-809-11	METAL CHIP	100	5%	1/10W	X1101	1-813-448-21	PIEZOELECTRIC OSCILLATOR 24MHz			
R1506	1-216-809-11	METAL CHIP	100	5%	1/10W	X1301	1-795-126-21	VIBRATOR, CRYSTAL 12.288MHz			
R1507	1-216-809-11	METAL CHIP	100	5%	1/10W	X1502	1-813-276-21	QUARTZ CRYSTAL 13.9MHz			
R1508	1-216-809-11	METAL CHIP	100	5%	1/10W			*****			
R1509	1-216-809-11	METAL CHIP	100	5%	1/10W			A-1082-615-A	DISPLAY BOARD, COMPLETE		
R1510	1-216-809-11	METAL CHIP	100	5%	1/10W				*****		
R1511	1-216-809-11	METAL CHIP	100	5%	1/10W						
R1512	1-216-821-11	METAL CHIP	1K	5%	1/10W			< CAPACITOR >			
R1513	1-216-833-11	METAL CHIP	10K	5%	1/10W	C100	1-135-798-11	CERAMIC	0.22uF		50V
R1514	1-216-833-11	METAL CHIP	10K	5%	1/10W	C101	1-135-798-11	CERAMIC	0.22uF		50V

STR-K675P

DISPLAY **HEADPHONE** **MAIN**

Ref. No.	Part No.	Description	Remark
C108	1-135-798-11	CERAMIC	0.22uF 50V
C109	1-135-798-11	CERAMIC	0.22uF 50V
C110	1-127-868-11	CERAMIC	2200PF 10% 50V
C111	1-162-282-31	CERAMIC	100PF 10% 50V
C112	1-162-282-31	CERAMIC	100PF 10% 50V
C114	1-135-798-11	CERAMIC	0.22uF 50V
C115	1-124-261-00	ELECT	10uF 20% 50V
C132	1-162-286-31	CERAMIC	220PF 10% 50V
C133	1-162-286-31	CERAMIC	220PF 10% 50V
C134	1-162-286-31	CERAMIC	220PF 10% 50V
C135	1-162-286-31	CERAMIC	220PF 10% 50V
C136	1-162-286-31	CERAMIC	220PF 10% 50V
C137	1-162-286-31	CERAMIC	220PF 10% 50V
C138	1-162-286-31	CERAMIC	220PF 10% 50V
C139	1-162-286-31	CERAMIC	220PF 10% 50V
C140	1-162-286-31	CERAMIC	220PF 10% 50V
C141	1-162-286-31	CERAMIC	220PF 10% 50V
C142	1-162-286-31	CERAMIC	220PF 10% 50V
C143	1-162-286-31	CERAMIC	220PF 10% 50V
C144	1-135-798-11	CERAMIC	0.22uF 50V
C150	1-135-798-11	CERAMIC	0.22uF 50V
C151	1-124-261-00	ELECT	10uF 20% 50V
C152	1-162-286-31	CERAMIC	220PF 10% 50V
C153	1-162-286-31	CERAMIC	220PF 10% 50V
C154	1-162-286-31	CERAMIC	220PF 10% 50V
C155	1-135-798-11	CERAMIC	0.22uF 50V
C156	1-135-798-11	CERAMIC	0.22uF 50V
C157	1-135-798-11	CERAMIC	0.22uF 50V
< CONNECTOR >			
* CNP101	1-564-519-11	PLUG, CONNECTOR 4P	
* CNP103	1-564-518-11	PLUG, CONNECTOR 3P	
< CONNECTOR >			
* CNS100	1-569-934-11	SOCKET, CONNECTOR 17P	
< FLUORESCENT INDICATOR >			
FL101	1-518-966-11	VOCUUM FLUORESENT DISPLAYS	
< IC >			
IC100	8-759-643-83	IC PT6315	
IC101	8-759-243-51	IC TC74ACT08P	
IC102	6-600-309-01	IC RPM7240-H9 (E)	
< RESISTOR >			
R101	1-249-413-11	CARBON	470 5% 1/4W
R102	1-247-831-91	CARBON	1K 5% 1/4W
R103	1-247-831-91	CARBON	1K 5% 1/4W
R104	1-249-421-11	CARBON	2.2K 5% 1/4W
R105	1-249-421-11	CARBON	2.2K 5% 1/4W
R106	1-247-847-91	CARBON	4.7K 5% 1/4W
R107	1-249-429-11	CARBON	10K 5% 1/4W
R108	1-247-863-91	CARBON	22K 5% 1/4W
R111	1-249-413-11	CARBON	470 5% 1/4W
R112	1-247-831-91	CARBON	1K 5% 1/4W
R113	1-247-831-91	CARBON	1K 5% 1/4W
R114	1-249-421-11	CARBON	2.2K 5% 1/4W

Ref. No.	Part No.	Description	Remark
R116	1-247-847-91	CARBON	4.7K 5% 1/4W
R137	1-247-847-91	CARBON	4.7K 5% 1/4W
R138	1-249-429-11	CARBON	10K 5% 1/4W
R139	1-247-863-91	CARBON	22K 5% 1/4W
R150	1-249-440-11	CARBON	82K 5% 1/4W
R153	1-247-807-31	CARBON	100 5% 1/4W
R172	1-247-807-31	CARBON	100 5% 1/4W
R173	1-247-807-31	CARBON	100 5% 1/4W
R174	1-247-807-31	CARBON	100 5% 1/4W
△ R175	1-249-393-11	CARBON	10 5% 1/4W
△ R198	1-249-381-11	CARBON	1 5% 1/4W
△ R199	1-249-381-11	CARBON	1 5% 1/4W
< VARIABLE RESISTOR >			
RV102	1-418-725-41	ENCODER, ROTARY (12 TYPE)	(MASTER VOLUME)
< SWITCH >			
S100	1-771-410-21	SWITCH, TACTILE (INPUT MODE)	
S101	1-771-410-21	SWITCH, TACTILE (>)	
S102	1-771-410-21	SWITCH, TACTILE (-)	
S103	1-771-410-21	SWITCH, TACTILE (+)	
S104	1-771-410-21	SWITCH, TACTILE (<)	
S105	1-771-410-21	SWITCH, TACTILE (FM)	
S106	1-771-410-21	SWITCH, TACTILE (AM)	
S107	1-771-410-21	SWITCH, TACTILE (MAIN MENU)	
S108	1-771-410-21	SWITCH, TACTILE (ENTER)	
S110	1-771-410-21	SWITCH, TACTILE (MUSIC)	
S111	1-771-410-21	SWITCH, TACTILE (MOVIE)	
S112	1-771-410-21	SWITCH, TACTILE (A.F.D.)	
S113	1-771-410-21	SWITCH, TACTILE (2CH)	
S116	1-771-410-21	SWITCH, TACTILE (SA-CD/CD)	
S137	1-771-410-21	SWITCH, TACTILE (VIDEO 1)	
S138	1-771-410-21	SWITCH, TACTILE (VIDEO 2)	
S139	1-771-410-21	SWITCH, TACTILE (DVD)	

HEADPHONE BOARD			

< CONNECTOR >			
CNP701	1-691-766-11	PLUG (MICRO CONNECTOR) 4P	
< JACK >			
J700	1-815-314-21	JACK (PHONES)	

A-1084-034-A	MAIN BOARD, COMPLETE		

7-685-646-79	SCREW +BVTP 3X8 TYPE2 IT-3		
< CAPACITOR >			
C400	1-127-888-11	CERAMIC	0.1uF 10% 50V
C402	1-126-964-11	ELECT	10uF 20% 50V
C403	1-162-294-31	CERAMIC	0.001uF 10% 50V
C404	1-162-294-31	CERAMIC	0.001uF 10% 50V
C421	1-126-963-11	ELECT	4.7uF 20% 50V

Ref. No.	Part No.	Description	Remark			Ref. No.	Part No.	Description	Remark		
C422	1-126-963-11	ELECT	4.7uF	20%	50V	C651	1-126-963-11	ELECT	4.7uF	20%	50V
C423	1-126-963-11	ELECT	4.7uF	20%	50V	C652	1-128-809-11	CERAMIC	100PF	5%	50V
C424	1-126-963-11	ELECT	4.7uF	20%	50V	C653	1-128-813-11	CERAMIC	220PF	5%	50V
C425	1-126-963-11	ELECT	4.7uF	20%	50V	C654	1-102-233-00	CERAMIC	33PF	10%	500V
C426	1-126-963-11	ELECT	4.7uF	20%	50V	C656	1-107-583-11	CERAMIC	3PF	0.25PF	500V
C431	1-126-961-11	ELECT	2.2uF	20%	50V	C657	1-104-658-91	ELECT	100uF	20%	10V
C432	1-126-961-11	ELECT	2.2uF	20%	50V	C658	1-126-947-11	ELECT	47uF	20%	25V
C433	1-126-961-11	ELECT	2.2uF	20%	50V	C661	1-162-815-11	CERAMIC	47PF	5%	500V
C434	1-126-961-11	ELECT	2.2uF	20%	50V	C662	1-162-815-11	CERAMIC	47PF	5%	500V
C435	1-126-961-11	ELECT	2.2uF	20%	50V	C663	1-128-813-11	CERAMIC	220PF	5%	50V
C436	1-126-961-11	ELECT	2.2uF	20%	50V	C664	1-127-876-11	CERAMIC	0.01uF	10%	50V
C446	1-126-963-11	ELECT	4.7uF	20%	50V	C665	1-126-964-11	ELECT	10uF	20%	50V
C452	1-126-964-11	ELECT	10uF	20%	50V	C666	1-136-157-00	FILM	0.022uF	5%	50V
C471	1-104-658-91	ELECT	100uF	20%	10V	C700	1-128-579-11	ELECT	2.2uF	20%	100V
C472	1-127-888-11	CERAMIC	0.1uF	10%	50V	C701	1-126-963-11	ELECT	4.7uF	20%	50V
C482	1-127-888-11	CERAMIC	0.1uF	10%	50V	C702	1-128-809-11	CERAMIC	100PF	5%	50V
C484	1-127-888-11	CERAMIC	0.1uF	10%	50V	C703	1-128-813-11	CERAMIC	220PF	5%	50V
C500	1-128-579-11	ELECT	2.2uF	20%	100V	C704	1-102-233-00	CERAMIC	33PF	10%	500V
C501	1-126-963-11	ELECT	4.7uF	20%	50V	C706	1-107-583-11	CERAMIC	3PF	0.25PF	500V
C502	1-128-809-11	CERAMIC	100PF	5%	50V	C707	1-104-658-91	ELECT	100uF	20%	10V
C503	1-128-813-11	CERAMIC	220PF	5%	50V	C708	1-126-947-11	ELECT	47uF	20%	25V
C504	1-102-233-00	CERAMIC	33PF	10%	500V	C711	1-162-815-11	CERAMIC	47PF	5%	500V
C506	1-107-583-11	CERAMIC	3PF	0.25PF	500V	C712	1-162-815-11	CERAMIC	47PF	5%	500V
C507	1-104-658-91	ELECT	100uF	20%	10V	C713	1-128-813-11	CERAMIC	220PF	5%	50V
C508	1-126-947-11	ELECT	47uF	20%	25V	C714	1-127-876-11	CERAMIC	0.01uF	10%	50V
C511	1-162-815-11	CERAMIC	47PF	5%	500V	C715	1-126-964-11	ELECT	10uF	20%	50V
C512	1-162-815-11	CERAMIC	47PF	5%	500V	C716	1-136-157-00	FILM	0.022uF	5%	50V
C513	1-128-813-11	CERAMIC	220PF	5%	50V	C801	1-135-798-11	CERAMIC	0.22uF		50V
C514	1-127-876-11	CERAMIC	0.01uF	10%	50V	C802	1-135-798-11	CERAMIC	0.22uF		50V
C515	1-126-964-11	ELECT	10uF	20%	50V	C803	1-126-936-11	ELECT	3300uF	20%	16V
C516	1-136-157-00	FILM	0.022uF	5%	50V	C806	1-126-947-11	ELECT	47uF	20%	35V
C551	1-126-963-11	ELECT	4.7uF	20%	50V	C807	1-126-947-11	ELECT	47uF	20%	35V
C552	1-128-809-11	CERAMIC	100PF	5%	50V	C808	1-126-947-11	ELECT	47uF	20%	35V
C553	1-128-813-11	CERAMIC	220PF	5%	50V	C811	1-135-851-21	MYLAR	0.22uF		100V
C554	1-102-233-00	CERAMIC	33PF	10%	500V	C812	1-135-851-21	MYLAR	0.22uF		100V
C556	1-107-583-11	CERAMIC	3PF	0.25PF	500V	C813	1-165-960-11	ELECT	6800uF	20%	71V
C557	1-104-658-91	ELECT	100uF	20%	10V	C814	1-165-960-11	ELECT	6800uF	20%	71V
C558	1-126-947-11	ELECT	47uF	20%	25V	C815	1-128-582-11	ELECT	10uF	20%	100V
C561	1-162-815-11	CERAMIC	47PF	5%	500V	C816	1-128-582-11	ELECT	10uF	20%	100V
C562	1-162-815-11	CERAMIC	47PF	5%	500V	C821	1-127-888-11	CERAMIC	0.1uF	10%	50V
C563	1-128-813-11	CERAMIC	220PF	5%	50V	C822	1-127-888-11	CERAMIC	0.1uF	10%	50V
C564	1-127-876-11	CERAMIC	0.01uF	10%	50V	C823	1-126-947-11	ELECT	47uF	20%	25V
C565	1-126-964-11	ELECT	10uF	20%	50V	C824	1-126-947-11	ELECT	47uF	20%	25V
C566	1-136-157-00	FILM	0.022uF	5%	50V	C851	1-127-888-11	CERAMIC	0.1uF	10%	50V
C600	1-128-579-11	ELECT	2.2uF	20%	100V	C881	1-126-934-11	ELECT	220uF	20%	16V
C601	1-126-963-11	ELECT	4.7uF	20%	50V	C882	1-126-964-11	ELECT	10uF	20%	50V
C602	1-128-809-11	CERAMIC	100PF	5%	50V			< CONNECTOR >			
C603	1-128-813-11	CERAMIC	220PF	5%	50V	CN503	1-784-925-11	PIN, CONNECTOR 10P			
C604	1-102-233-00	CERAMIC	33PF	10%	500V	CN504	1-779-978-11	PIN, CONNECTOR 3P			
C606	1-107-583-11	CERAMIC	3PF	0.25PF	500V			< CONNECTOR >			
C607	1-104-658-91	ELECT	100uF	20%	10V	CNP501	1-573-847-11	CONNECTOR, BOARD TO BOARD 15P			
C608	1-126-947-11	ELECT	47uF	20%	25V	* CNP502	1-766-715-11	CONNECTOR, BOARD TO BOARD 10P			
C611	1-162-815-11	CERAMIC	47PF	5%	500V	* CNP901	1-564-104-00	PIN, CONNECTOR (3.96mm PITCH) 3P			
C612	1-162-815-11	CERAMIC	47PF	5%	500V	CNP902	1-691-767-11	PLUG (MICRO CONNECTOR) 5P			
C613	1-128-813-11	CERAMIC	220PF	5%	50V	CNP916	1-766-200-11	SOCKET, CONNECTOR PIN 5P			
C614	1-127-876-11	CERAMIC	0.01uF	10%	50V						
C615	1-126-964-11	ELECT	10uF	20%	50V						
C616	1-136-157-00	FILM	0.022uF	5%	50V						

STR-K675P

MAIN

Ref. No.	Part No.	Description	Remark	Ref. No.	Part No.	Description	Remark
< DIODE >							
D501	8-719-991-33	DIODE 1SS133T-72		Q505	8-729-042-09	TRANSISTOR	2SA1038S-RSE-TP
D502	8-719-991-33	DIODE 1SS133T-72		Q506	8-729-042-09	TRANSISTOR	2SA1038S-RSE-TP
D503	8-719-991-33	DIODE 1SS133T-72		Q507	8-729-281-53	TRANSISTOR	2SC1815GR-TPE2
D551	8-719-991-33	DIODE 1SS133T-72		Q508	8-729-119-78	TRANSISTOR	2SC1740S-QRT
D552	8-719-991-33	DIODE 1SS133T-72		Q509	8-729-119-78	TRANSISTOR	2SC1740S-QRT
D601	8-719-991-33	DIODE 1SS133T-72		Q551	8-729-119-76	TRANSISTOR	2SA1115TP-EF
D602	8-719-991-33	DIODE 1SS133T-72		Q552	8-729-141-30	TRANSISTOR	2SC3623ATP-LK
D603	8-719-991-33	DIODE 1SS133T-72		Q555	8-729-042-09	TRANSISTOR	2SA1038S-RSE-TP
D651	8-719-991-33	DIODE 1SS133T-72		Q556	8-729-042-09	TRANSISTOR	2SA1038S-RSE-TP
D652	8-719-991-33	DIODE 1SS133T-72		Q557	8-729-281-53	TRANSISTOR	2SC1815GR-TPE2
D701	8-719-991-33	DIODE 1SS133T-72		Q560	8-729-119-78	TRANSISTOR	2SC1740S-QRT
D702	8-719-991-33	DIODE 1SS133T-72		Q601	8-729-119-76	TRANSISTOR	2SA1115TP-EF
D703	8-719-991-33	DIODE 1SS133T-72		Q602	8-729-141-30	TRANSISTOR	2SC3623ATP-LK
D752	8-719-991-33	DIODE 1SS133T-72		Q605	8-729-042-09	TRANSISTOR	2SA1038S-RSE-TP
D791	8-719-991-33	DIODE 1SS133T-72		Q606	8-729-042-09	TRANSISTOR	2SA1038S-RSE-TP
D801	8-719-933-95	DIODE HZS20-1LTA		Q607	8-729-281-53	TRANSISTOR	2SC1815GR-TPE2
D802	8-719-068-28	DIODE HZ6.8BP-TK		Q608	8-729-119-78	TRANSISTOR	2SC1740S-QRT
D804	6-500-522-11	DIODE 10EDB40-TA2B5		Q651	8-729-119-76	TRANSISTOR	2SA1115TP-EF
D805	6-500-522-11	DIODE 10EDB40-TA2B5		Q652	8-729-141-30	TRANSISTOR	2SC3623ATP-LK
D806	6-500-522-11	DIODE 10EDB40-TA2B5		Q655	8-729-042-09	TRANSISTOR	2SA1038S-RSE-TP
D807	6-500-522-11	DIODE 10EDB40-TA2B5		Q656	8-729-042-09	TRANSISTOR	2SA1038S-RSE-TP
D811	8-719-072-05	DIODE D5SBA20-4003		Q657	8-729-281-53	TRANSISTOR	2SC1815GR-TPE2
D821	8-719-043-76	DIODE AK04V1		Q701	8-729-119-76	TRANSISTOR	2SA1115TP-EF
D851	8-719-991-33	DIODE 1SS133T-72		Q702	8-729-141-30	TRANSISTOR	2SC3623ATP-LK
D881	8-719-991-33	DIODE 1SS133T-72		Q705	8-729-042-09	TRANSISTOR	2SA1038S-RSE-TP
D882	8-719-991-33	DIODE 1SS133T-72		Q706	8-729-042-09	TRANSISTOR	2SA1038S-RSE-TP
D883	8-719-991-33	DIODE 1SS133T-72		Q707	8-729-281-53	TRANSISTOR	2SC1815GR-TPE2
< IC >							
IC400	6-707-169-01	IC M61542FP		Q708	8-729-119-78	TRANSISTOR	2SC1740S-QRT
IC501	6-700-943-01	IC uPC2581V-S		Q801	8-729-140-97	TRANSISTOR	2SB734-T-34
IC601	6-700-943-01	IC uPC2581V-S		Q851	8-729-281-53	TRANSISTOR	2SC1815GR-TPE2
IC701	6-700-943-01	IC uPC2581V-S		Q852	8-729-029-40	TRANSISTOR	DTA124ESA-TP
IC821	8-759-071-48	IC TA7807S		Q881	8-729-042-09	TRANSISTOR	2SA1038S-RSE-TP
IC822	8-759-071-47	IC TA79007S		Q882	8-729-119-78	TRANSISTOR	2SC1740S-QRT
IC850	8-759-167-88	IC NJM4565D		Q883	8-729-140-84	TRANSISTOR	2SC1841TP-PAFAEA
< JACK >							
J401	1-770-614-11	JACK, PIN 4P (VIDEO 1 / VIDEO 2)		< RESISTOR >			
J402	1-770-614-11	JACK, PIN 4P (DVD / SA-CD/CD)		R401	1-247-831-91	CARBON	1K 5% 1/4W
J403	1-774-785-11	JACK, PIN 1P (SUB WOOFER)		R402	1-247-831-91	CARBON	1K 5% 1/4W
< JUMPER >				R403	1-247-831-91	CARBON	1K 5% 1/4W
JW753	1-247-873-91	CARBON	56K 5% 1/4W	R404	1-247-831-91	CARBON	1K 5% 1/4W
< COIL >				R406	1-247-807-31	CARBON	100 5% 1/4W
L501	1-420-872-52	COIL, AIR-CORE		R407	1-247-807-31	CARBON	100 5% 1/4W
L551	1-420-872-52	COIL, AIR-CORE		R416	1-247-831-91	CARBON	1K 5% 1/4W
L601	1-420-872-52	COIL, AIR-CORE		R451	1-247-831-91	CARBON	1K 5% 1/4W
L651	1-420-872-52	COIL, AIR-CORE		R452	1-247-831-91	CARBON	1K 5% 1/4W
L701	1-420-872-52	COIL, AIR-CORE		R453	1-247-831-91	CARBON	1K 5% 1/4W
< TRANSISTOR >				R454	1-247-831-91	CARBON	1K 5% 1/4W
Q471	8-729-922-37	TRANSISTOR	2SD2144S-TP-UVW	R469	1-247-831-91	CARBON	1K 5% 1/4W
Q501	8-729-119-76	TRANSISTOR	2SA1115TP-EF	R471	1-249-415-11	CARBON	680 5% 1/4W
Q502	8-729-141-30	TRANSISTOR	2SC3623ATP-LK	R472	1-247-831-91	CARBON	1K 5% 1/4W
				R473	1-249-421-11	CARBON	2.2K 5% 1/4W
				R479	1-249-421-11	CARBON	2.2K 5% 1/4W
				R500	1-247-863-91	CARBON	22K 5% 1/4W
				R501	1-247-831-91	CARBON	1K 5% 1/4W
				R502	1-249-439-11	CARBON	68K 5% 1/4W
				R503	1-249-422-11	CARBON	2.7K 5% 1/4W
				R504	1-249-439-11	CARBON	68K 5% 1/4W

Ref. No.	Part No.	Description			Remark	Ref. No.	Part No.	Description			Remark
R505	1-249-421-11	CARBON	2.2K	5%	1/4W	R611	1-247-847-91	CARBON	4.7K	5%	1/4W
R506	1-249-440-11	CARBON	82K	5%	1/4W	△ R612	1-240-855-81	CARBON	6.2K	5%	1/4W
R507	1-249-414-11	CARBON	560	5%	1/4W	R613	1-249-419-11	CARBON	1.5K	5%	1/4W
△ R508	1-249-405-11	CARBON	100	5%	1/4W	R614	1-249-431-11	CARBON	15K	5%	1/4W
△ R509	1-249-405-11	CARBON	100	5%	1/4W	R615	1-247-863-91	CARBON	22K	5%	1/4W
△ R510	1-234-182-11	ENCAPSULATED COMPONENT				R616	1-247-843-11	CARBON	3.3K	5%	1/4W
R511	1-247-847-91	CARBON	4.7K	5%	1/4W	R617	1-249-431-11	CARBON	15K	5%	1/4W
△ R512	1-240-855-81	CARBON	6.2K	5%	1/4W	R618	1-247-863-91	CARBON	22K	5%	1/4W
R513	1-249-419-11	CARBON	1.5K	5%	1/4W	R619	1-247-863-91	CARBON	22K	5%	1/4W
R514	1-249-431-11	CARBON	15K	5%	1/4W	R620	1-249-439-11	CARBON	68K	5%	1/4W
R515	1-247-863-91	CARBON	22K	5%	1/4W	△ R621	1-249-393-11	CARBON	10	5%	1/4W
R516	1-247-843-11	CARBON	3.3K	5%	1/4W	R622	1-247-871-91	CARBON	47K	5%	1/4W
R517	1-249-431-11	CARBON	15K	5%	1/4W	△ R623	1-249-389-11	CARBON	4.7	5%	1/4W
R518	1-247-863-91	CARBON	22K	5%	1/4W	△ R624	1-249-404-00	CARBON	82	5%	1/4W
R519	1-247-863-91	CARBON	22K	5%	1/4W	R625	1-249-421-11	CARBON	2.2K	5%	1/4W
R520	1-249-439-11	CARBON	68K	5%	1/4W	R651	1-247-831-91	CARBON	1K	5%	1/4W
△ R521	1-249-393-11	CARBON	10	5%	1/4W	R652	1-249-439-11	CARBON	68K	5%	1/4W
R522	1-247-871-91	CARBON	47K	5%	1/4W	R653	1-249-422-11	CARBON	2.7K	5%	1/4W
△ R523	1-249-389-11	CARBON	4.7	5%	1/4W	R654	1-249-439-11	CARBON	68K	5%	1/4W
△ R524	1-249-404-00	CARBON	82	5%	1/4W	R655	1-249-421-11	CARBON	2.2K	5%	1/4W
R525	1-249-421-11	CARBON	2.2K	5%	1/4W	R656	1-249-440-11	CARBON	82K	5%	1/4W
R531	1-215-868-00	METAL OXIDE	680	5%	1W	R657	1-249-414-11	CARBON	560	5%	1/4W
R532	1-215-868-00	METAL OXIDE	680	5%	1W	△ R658	1-249-405-11	CARBON	100	5%	1/4W
R551	1-247-831-91	CARBON	1K	5%	1/4W	△ R659	1-249-405-11	CARBON	100	5%	1/4W
R552	1-249-439-11	CARBON	68K	5%	1/4W	△ R660	1-234-182-11	ENCAPSULATED COMPONENT			
R553	1-249-422-11	CARBON	2.7K	5%	1/4W	R661	1-247-847-91	CARBON	4.7K	5%	1/4W
R554	1-249-439-11	CARBON	68K	5%	1/4W	△ R662	1-240-855-81	CARBON	6.2K	5%	1/4W
R555	1-249-421-11	CARBON	2.2K	5%	1/4W	R663	1-249-419-11	CARBON	1.5K	5%	1/4W
R556	1-249-440-11	CARBON	82K	5%	1/4W	R664	1-249-431-11	CARBON	15K	5%	1/4W
R557	1-249-414-11	CARBON	560	5%	1/4W	R665	1-247-863-91	CARBON	22K	5%	1/4W
△ R558	1-249-405-11	CARBON	100	5%	1/4W	R666	1-247-843-11	CARBON	3.3K	5%	1/4W
△ R559	1-249-405-11	CARBON	100	5%	1/4W	R667	1-249-431-11	CARBON	15K	5%	1/4W
△ R560	1-234-182-11	ENCAPSULATED COMPONENT				R668	1-247-863-91	CARBON	22K	5%	1/4W
R561	1-247-847-91	CARBON	4.7K	5%	1/4W	R669	1-247-863-91	CARBON	22K	5%	1/4W
△ R562	1-240-855-81	CARBON	6.2K	5%	1/4W	R670	1-249-439-11	CARBON	68K	5%	1/4W
R563	1-249-419-11	CARBON	1.5K	5%	1/4W	△ R671	1-249-393-11	CARBON	10	5%	1/4W
R564	1-249-431-11	CARBON	15K	5%	1/4W	R672	1-247-871-91	CARBON	47K	5%	1/4W
R565	1-247-863-91	CARBON	22K	5%	1/4W	△ R673	1-249-389-11	CARBON	4.7	5%	1/4W
R566	1-247-843-11	CARBON	3.3K	5%	1/4W	R700	1-247-863-91	CARBON	22K	5%	1/4W
R567	1-249-431-11	CARBON	15K	5%	1/4W	R701	1-247-831-91	CARBON	1K	5%	1/4W
R568	1-247-863-91	CARBON	22K	5%	1/4W	R702	1-249-439-11	CARBON	68K	5%	1/4W
R569	1-247-863-91	CARBON	22K	5%	1/4W	R703	1-249-422-11	CARBON	2.7K	5%	1/4W
R570	1-249-439-11	CARBON	68K	5%	1/4W	R704	1-249-439-11	CARBON	68K	5%	1/4W
△ R571	1-249-393-11	CARBON	10	5%	1/4W	R705	1-249-421-11	CARBON	2.2K	5%	1/4W
R572	1-247-871-91	CARBON	47K	5%	1/4W	R706	1-249-440-11	CARBON	82K	5%	1/4W
△ R573	1-249-389-11	CARBON	4.7	5%	1/4W	R707	1-249-414-11	CARBON	560	5%	1/4W
R600	1-247-863-91	CARBON	22K	5%	1/4W	△ R708	1-249-405-11	CARBON	100	5%	1/4W
R601	1-247-831-91	CARBON	1K	5%	1/4W	△ R709	1-249-405-11	CARBON	100	5%	1/4W
R602	1-249-439-11	CARBON	68K	5%	1/4W	△ R710	1-234-182-11	ENCAPSULATED COMPONENT			
R603	1-249-422-11	CARBON	2.7K	5%	1/4W	R711	1-247-847-91	CARBON	4.7K	5%	1/4W
R604	1-249-439-11	CARBON	68K	5%	1/4W	△ R712	1-240-855-81	CARBON	6.2K	5%	1/4W
R605	1-249-421-11	CARBON	2.2K	5%	1/4W	R713	1-249-419-11	CARBON	1.5K	5%	1/4W
R606	1-249-440-11	CARBON	82K	5%	1/4W	R714	1-249-431-11	CARBON	15K	5%	1/4W
R607	1-249-414-11	CARBON	560	5%	1/4W	R715	1-247-863-91	CARBON	22K	5%	1/4W
△ R608	1-249-405-11	CARBON	100	5%	1/4W	R716	1-247-843-11	CARBON	3.3K	5%	1/4W
△ R609	1-249-405-11	CARBON	100	5%	1/4W	R717	1-249-431-11	CARBON	15K	5%	1/4W
△ R610	1-234-182-11	ENCAPSULATED COMPONENT				R718	1-247-863-91	CARBON	22K	5%	1/4W
						R719	1-247-863-91	CARBON	22K	5%	1/4W

STR-K675P

MAIN **POWER** **STANDBY**

Ref. No.	Part No.	Description			Remark
R720	1-249-439-11	CARBON	68K	5%	1/4W
△ R721	1-249-393-11	CARBON	10	5%	1/4W
R722	1-247-871-91	CARBON	47K	5%	1/4W
△ R723	1-249-389-11	CARBON	4.7	5%	1/4W
△ R724	1-249-404-00	CARBON	82	5%	1/4W
R725	1-249-421-11	CARBON	2.2K	5%	1/4W
R752	1-247-873-91	CARBON	56K	5%	1/4W
R780	1-247-847-91	CARBON	4.7K	5%	1/4W
R783	1-247-871-91	CARBON	47K	5%	1/4W
R791	1-249-421-11	CARBON	2.2K	5%	1/4W
△ R793	1-249-404-00	CARBON	82	5%	1/4W
△ R802	1-249-409-11	CARBON	220	5%	1/4W
△ R803	1-249-389-11	CARBON	4.7	5%	1/4W
R804	1-249-429-11	CARBON	10K	5%	1/4W
R806	1-247-863-91	CARBON	22K	5%	1/4W
△ R815	1-249-381-11	CARBON	1	5%	1/4W
△ R816	1-249-381-11	CARBON	1	5%	1/4W
R851	1-249-429-11	CARBON	10K	5%	1/4W
R852	1-249-429-11	CARBON	10K	5%	1/4W
R853	1-249-429-11	CARBON	10K	5%	1/4W
R854	1-249-435-11	CARBON	33K	5%	1/4W
R855	1-247-887-00	CARBON	220K	5%	1/4W
R856	1-247-895-00	CARBON	470K	5%	1/4W
R857	1-249-429-11	CARBON	10K	5%	1/4W
R859	1-215-889-00	METAL OXIDE	330	5%	2W
R881	1-247-871-91	CARBON	47K	5%	1/4W
R882	1-249-429-11	CARBON	10K	5%	1/4W
R883	1-249-427-11	CARBON	6.8K	5%	1/4W
R884	1-249-436-11	CARBON	39K	5%	1/4W
R885	1-247-831-91	CARBON	1K	5%	1/4W
△ R910	1-243-635-11	FUSIBLE	0.33	5%	1/2W
< RELAY >					
RY501	1-755-416-12	RELAY			
RY502	1-755-416-12	RELAY			
RY601	1-755-416-12	RELAY			
RY701	1-755-416-12	RELAY			
RY702	1-755-267-11	RELAY			
< TERMINAL >					
TM600	1-694-805-11	TERMINAL BOARD (FRONT / CENTER)			
TM602	1-694-785-11	TERMINAL BOARD (SURROUND)			

POWER BOARD					

< RESISTOR >					
R115	1-249-421-11	CARBON	2.2K	5%	1/4W
< SWITCH >					
S114	1-771-410-21	SWITCH, TACTILE (DISPLAY)			
S115	1-771-410-21	SWITCH, TACTILE (DIMMER)			
S152	1-771-410-21	SWITCH, TACTILE (I/O)			

Ref. No.	Part No.	Description			Remark
	A-1082-613-A	STANDBY BOARD, COMPLETE			*****
< CAPACITOR >					
C901	1-135-798-11	CERAMIC	0.22uF		50V
C902	1-135-798-11	CERAMIC	0.22uF		50V
C911	1-135-798-11	CERAMIC	0.22uF		50V
C912	1-135-798-11	CERAMIC	0.22uF		50V
C913	1-126-959-11	ELECT	0.47uF	20%	50V
C914	1-126-936-11	ELECT	3300uF	20%	16V
C915	1-126-943-11	ELECT	2200uF	20%	25V
C916	1-126-942-61	ELECT	1000uF	20%	25V
< CONNECTOR >					
CNP801	1-784-922-11	PIN, CONNECTOR 5P			
CNP900	1-564-321-00	PIN, CONNECTOR (3.96mm PITCH) 2P			
CNP903	1-564-506-11	PLUG, CONNECTOR 3P			
CNP904	1-794-577-21	PIN, CONNECTOR (POWER)			
CNP906	1-766-203-11	PLUG, CONNECTOR PIN (PC BOARD) 5P			
< DIODE >					
D901	8-719-991-33	DIODE 1SS133T-72			
D910	6-500-522-11	DIODE 10EDB40-TA2B5			
D911	6-500-522-11	DIODE 10EDB40-TA2B5			
D912	6-500-522-11	DIODE 10EDB40-TA2B5			
D913	6-500-522-11	DIODE 10EDB40-TA2B5			
D914	8-719-991-33	DIODE 1SS133T-72			
D915	8-719-991-33	DIODE 1SS133T-72			
D920	6-500-522-11	DIODE 10EDB40-TA2B5			
D921	6-500-522-11	DIODE 10EDB40-TA2B5			
D922	6-500-522-11	DIODE 10EDB40-TA2B5			
D923	6-500-522-11	DIODE 10EDB40-TA2B5			
< FUSE HOLDER >					
FH902	1-533-217-41	HOLDER, FUSE			
FH952	1-533-217-41	HOLDER, FUSE			
< GROUND TERMINAL >					
G901	1-537-738-21	TERMINAL, GROUND			
< TRANSISTOR >					
Q901	8-729-119-78	TRANSISTOR 2SC1740S-QRT			
Q911	8-729-119-78	TRANSISTOR 2SC1740S-QRT			
< RESISTOR >					
△ R810	1-243-634-91	FUSIBLE	0.22	5%	1/2W
△ R812	1-243-634-91	FUSIBLE	0.22	5%	1/2W
△ R900	1-219-237-91	SOLID	3.3M	20%	1/2W
R903	1-247-871-91	CARBON	47K	5%	1/4W
R904	1-247-847-91	CARBON	4.7K	5%	1/4W
△ R905	1-249-381-11	CARBON	1	5%	1/4W
R911	1-247-871-91	CARBON	47K	5%	1/4W
R912	1-249-435-11	CARBON	33K	5%	1/4W
R913	1-249-429-11	CARBON	10K	5%	1/4W
< RELAY >					
△ RY901	1-755-439-11	RELAY			

STANDBY TUNING VIDEO

Ref. No.	Part No.	Description	Remark	Ref. No.	Part No.	Description	Remark
		< TRANSFORMER >		R218	1-247-804-11	CARBON 75 5%	1/4W
△ T902	1-443-516-11	POWER TRANSFORMER		R220	1-247-804-11	CARBON 75 5%	1/4W
*****				R221	1-247-804-11	CARBON 75 5%	1/4W
*****				*****			
		TUNING BOARD				MISCELLANEOUS	
		*****				*****	
		< RESISTOR >		△ 59	1-783-820-11	CORD, POWER	
R132	1-249-413-11	CARBON 470 5%	1/4W	61	1-828-963-11	WIRE (FLAT TYPE) (11 CORE)	
R133	1-247-831-91	CARBON 1K 5%	1/4W	67	1-828-935-11	WIRE (FLAT TYPE) (5 CORE)	
R134	1-247-831-91	CARBON 1K 5%	1/4W	△ F901	1-533-452-12	FUSE, GLASS TUBE (DIA. 5) 4A/125V	
R135	1-249-421-11	CARBON 2.2K 5%	1/4W	Q503	6-702-390-01	IC MN2488-OPY-MK	
R136	1-249-421-11	CARBON 2.2K 5%	1/4W	Q504	6-702-391-01	IC MP1620-OPY-MK	
		< SWITCH >		Q553	6-702-390-01	IC MN2488-OPY-MK	
S131	1-771-410-21	SWITCH, TACTILE (- (TUNING))		Q554	6-702-391-01	IC MP1620-OPY-MK	
S132	1-771-410-21	SWITCH, TACTILE (FM MODE)		Q603	6-702-390-01	IC MN2488-OPY-MK	
S133	1-771-410-21	SWITCH, TACTILE (MEMORY)		Q604	6-702-391-01	IC MP1620-OPY-MK	
S134	1-771-410-21	SWITCH, TACTILE (- (PRESET TUNING))		Q653	6-702-390-01	IC MN2488-OPY-MK	
S135	1-771-410-21	SWITCH, TACTILE (+ (PRESET TUNING))		Q654	6-702-391-01	IC MP1620-OPY-MK	
S136	1-771-410-21	SWITCH, TACTILE (+ (TUNING))		Q703	6-702-390-01	IC MN2488-OPY-MK	
*****				Q704	6-702-391-01	IC MP1620-OPY-MK	
*****				△ T901	1-443-248-11	POWER TRANSFORMER	
A-1082-611-A		VIDEO BOARD, COMPLETE		TN1	1-693-675-21	TUNER UNIT	

		< CAPACITOR >					
C201	1-128-805-11	CERAMIC 47PF 5%	50V				
C206	1-126-964-11	ELECT 10uF 20%	50V				
C207	1-126-964-11	ELECT 10uF 20%	50V				
C208	1-126-964-11	ELECT 10uF 20%	50V				
C210	1-126-964-11	ELECT 10uF 20%	50V				
C213	1-126-934-11	ELECT 220uF 20%	16V				
C214	1-164-159-11	CERAMIC 0.1uF	50V				
C215	1-164-159-11	CERAMIC 0.1uF	50V				
C248	1-128-825-11	CERAMIC 2200PF 5%	50V				
C809	1-126-934-11	ELECT 220uF 20%	16V				
C825	1-164-159-11	CERAMIC 0.1uF	50V				
C826	1-164-159-11	CERAMIC 0.1uF	50V				
		< CONNECTOR >					
CNP156	1-691-765-11	PLUG (MICRO CONNECTOR) 3P					
		< CONNECTOR >					
CNS250	1-569-315-11	SOCKET, CONNECTOR 5P					
		< IC >					
IC203	8-759-333-84	IC NJM2279D					
IC804	8-759-245-79	IC TA79005S					
IC807	6-703-547-01	IC TA7805LS					
		< JACK >					
J201	1-815-043-11	JACK, PIN 2P (MONITOR / VIDEO 1)					
J202	1-815-043-11	JACK, PIN 2P (VIDEO 2 / DVD)					
		< RESISTOR >					
R201	1-247-804-11	CARBON 75 5%	1/4W				

