

STR-K751P

SERVICE MANUAL

US Model

Ver 1.0 2003.04



- STR-K751P is the tuner and the amplifier section in HT-1800DP.

Dolby Laboratories Licensing Corporation.
“DOLBY” the double-D symbol $\square\square$ “AC-3” and “PRO LOGIC”
are trademarks of Dolby Laboratories Licensing Corporation.

SPECIFICATIONS

POWER OUTPUT AND TOTAL HARMONIC DISTORTION:

With 8 ohm loads, both channels driven, from 40 – 20,000 Hz; rated 90 watts per channel minimum RMS power, with no more than 0.7 % total harmonic distortion from 250 milliwatts to rated output (Models of area code U only).

Amplifier section

POWER OUTPUT

Rated Power Output at Stereo Mode

(8 ohms 40 Hz – 20 kHz, THD 0.7 %)
90 W + 90 W

Reference Power Output

(8 ohms 1 kHz, THD 0.7 %)

FRONT¹⁾: 100 W/ch

CENTER¹⁾: 100 W

SURR¹⁾: 100 W/ch

1) Depending on the sound field settings and the source, there may be no sound output.

Frequency response

| | |
|---------------------------------|--|
| CD, MD/TAPE, DVD, VIDEO 1, 2 | 10 Hz – 50 kHz +0.5/-2 dB (with sound field and tone bypassed) |
|---------------------------------|--|

Inputs (Analog)

| | |
|---------------------------------|---|
| CD, MD/TAPE, DVD, VIDEO 1, 2 | Sensitivity: 500 mV Impedance: 50 kilohms S/N ²⁾ : 96 dB (A, 500 mV ³⁾) |
|---------------------------------|---|

2) INPUT SHORT (with sound field and tone bypassed).

3) Weighted network, input level.

Inputs (Digital)

| | |
|---------------|--|
| DVD (Coaxial) | Sensitivity: – Impedance: 75 ohms S/N: 100 dB (A, 20 kHz LPF) |
|---------------|--|

| | |
|-------------------|--|
| VIDEO 2 (Optical) | Sensitivity: – Impedance: – S/N: 100 dB (A, 20 kHz LPF) |
|-------------------|--|

Outputs

| | |
|--|--|
| MD/TAPE (OUT), VIDEO 1 (AUDIO OUT) | Voltage: 500 mV Impedance: 10 kilohms |
|--|--|

| | |
|------------|--------------------------------------|
| SUB WOOFER | Voltage: 2 V Impedance: 1 kilohms |
|------------|--------------------------------------|

Tone

Gain levels: ± 6 dB, 1 dB step

— Continued on next page —

FM STEREO FM-AM RECEIVER

9-877-325-01
2003D167800-1
© 2003.04

Sony Corporation
Home Audio Company
Published by Sony Engineering Corporation

SONY®

STR-K751P

| | |
|-------------------------------------|--------------------------------------|
| FM tuner section | |
| Tuning range | 87.5 - 108.0 MHz |
| Antenna terminals | 75 ohms, unbalanced |
| Intermediate Frequency | 10.7 MHz |
| Sensitivity | |
| Mono: | 18.3 dBf, 2.2 μ V/75 ohms |
| Stereo: | 38.3 dBf, 22.5 μ V/75 ohms |
| Usable sensitivity | 11.2 dBf, 1 μ V/75 ohms |
| S/N | |
| Mono: | 76 dB |
| Stereo: | 70 dB |
| Harmonic distortion at 1 kHz | |
| Mono: | 0.3% |
| Stereo: | 0.5% |
| Separation | 45 dB at 1 kHz |
| Frequency response | 30 Hz – 15 kHz, +0.5/-2 dB |
| Selectivity | 60 dB at 400 kHz |
| AM tuner section | |
| Tuning range | |
| With 10-kHz tuning scale: | 530 – 1710 kHz ⁴⁾ |
| With 9-kHz tuning scale: | 531 – 1710 kHz ⁴⁾ |
| Antenna | Loop antenna |
| Intermediate Frequency | 450 kHz |
| Usable sensitivity | 50 dB/m (at 1,000 kHz or 999 kHz) |

| | |
|----------------------------|-------------------------|
| S/N | 54 dB (at 50 mV/m) |
| Harmonic distortion | 0.5 % (50 mV/m, 400 Hz) |
| Selectivity | |
| At 9 kHz: | 35 dB |
| At 10 kHz: | 40 dB |

4) You can change the AM tuning scale to 9 kHz or 10 kHz. After tuning in any AM station, turn off the receiver. Hold down PRESET TUNING + and press I/⏪. All preset stations will be erased when you change the tuning scale. To reset the scale to 10 kHz (or 9 kHz), repeat the procedure.

Video section

| | |
|----------------|-----------------|
| Inputs | |
| Video: | 1 Vp-p, 75 ohms |
| Outputs | |
| Video: | 1 Vp-p, 75 ohms |

General

| | |
|--|-----------------|
| Power requirements | 120 V AC, 60 Hz |
| Power consumption | 185 W |
| Power consumption (during standby mode) | 0.3 W |

| | |
|-------------------|---|
| Dimensions | 430 × 145 × 298 mm (16 7/8 × 5 6/8 × 11 6/8 inches) including projecting parts and controls |
|-------------------|---|

| | |
|-----------------------|----------------------|
| Mass (Approx.) | 7.2 kg (15 lb 14 oz) |
|-----------------------|----------------------|

Design and specifications are subject to change without notice.

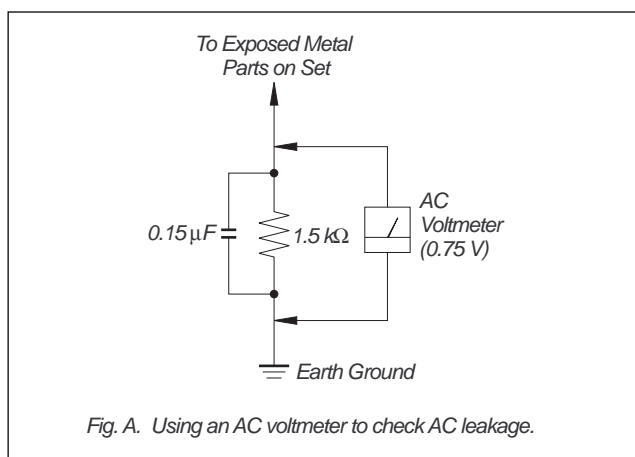
SAFETY CHECK-OUT

After correcting the original service problem, perform the following safety checks before releasing the set to the customer: Check the antenna terminals, metal trim, “metallized” knobs, screws, and all other exposed metal parts for AC leakage. Check leakage as described below.

LEAKAGE

The AC leakage from any exposed metal part to earth ground and from all exposed metal parts to any exposed metal part having a return to chassis, must not exceed 0.5 mA (500 microamperes). Leakage current can be measured by any one of three methods.

1. A commercial leakage tester, such as the Simpson 229 or RCA WT-540A. Follow the manufacturers' instructions to use these instruments.
2. A battery-operated AC milliammeter. The Data Precision 245 digital multimeter is suitable for this job.
3. Measuring the voltage drop across a resistor by means of a VOM or battery-operated AC voltmeter. The “limit” indication is 0.75 V, so analog meters must have an accurate low-voltage scale. The Simpson 250 and Sanwa SH-63Trd are examples of a passive VOM that is suitable. Nearly all battery operated digital multimeters that have a 2V AC range are suitable. (See Fig. A)



Notes on chip component replacement

- Never reuse a disconnected chip component.
- Notice that the minus side of a tantalum capacitor may be damaged by heat.

Unleaded solder

Boards requiring use of unleaded solder are printed with the lead-free mark (LF) indicating the solder contains no lead.

(Caution: Some printed circuit boards may not come printed with the lead free mark due to their particular size.)



: LEAD FREE MARK

Unleaded solder has the following characteristics.

- Unleaded solder melts at a temperature about 40°C higher than ordinary solder.
Ordinary soldering irons can be used but the iron tip has to be applied to the solder joint for a slightly longer time.
Soldering irons using a temperature regulator should be set to about 350°C.
Caution: The printed pattern (copper foil) may peel away if the heated tip is applied for too long, so be careful!
- Strong viscosity
Unleaded solder is more viscous (sticky, less prone to flow) than ordinary solder so use caution not to let solder bridges occur such as on IC pins, etc.
- Usable with ordinary solder
It is best to use only unleaded solder but unleaded solder may also be added to ordinary solder.

SAFETY-RELATED COMPONENT WARNING!!

COMPONENTS IDENTIFIED BY MARK \triangle OR DOTTED LINE WITH MARK \triangle ON THE SCHEMATIC DIAGRAMS AND IN THE PARTS LIST ARE CRITICAL TO SAFE OPERATION. REPLACE THESE COMPONENTS WITH SONY PARTS WHOSE PART NUMBERS APPEAR AS SHOWN IN THIS MANUAL OR IN SUPPLEMENTS PUBLISHED BY SONY.

TABLE OF CONTENTS

| | |
|--|----|
| 1. GENERAL | 5 |
| 2. TEST MODE | 6 |
| 3. DIAGRAMS | 7 |
| 3-1. Circuit Board Location | 7 |
| 3-2. Block Diagrams – MAIN Section – | 8 |
| – DISPLAY/POWER Section – | 9 |
| 3-3. Printed Wiring Board – DIGITAL Board (SIDE A) – | 10 |
| 3-4. Printed Wiring Board – DIGITAL Board (SIDE B) – | 11 |
| 3-5. Schematic Diagram – DIGITAL Section (1/2) – | 12 |
| 3-6. Schematic Diagram – DIGITAL Section (2/2) – | 13 |
| 3-7. Printed Wiring Board – MAIN Board – | 14 |
| 3-8. Schematic Diagram – MAIN Section (1/3) – | 15 |
| 3-9. Schematic Diagram – MAIN Section (2/3) – | 16 |
| 3-10. Schematic Diagram – MAIN Section (3/3) – | 17 |
| 3-11. Printed Wiring Board – POWER Section – | 18 |
| 3-12. Printed Wiring Board – DISPLAY Board – | 19 |
| 3-13. Schematic Diagram – DISPLAY Section – | 20 |
| 3-14. Printed Wiring Board – VIDEO Section – | 21 |
| 3-15. Schematic Diagram – VIDEO Board – | 22 |
| 3-16. IC Block Diagrams | 23 |
| 3-17. IC Pin Function Descriptions | 25 |
| 4. EXPLODED VIEWS | 27 |
| 4-1. Front Panel Section | 27 |
| 4-2. Chassis Section | 28 |
| 5. ELECTRICAL PARTS LIST | 29 |

SECTION 1 GENERAL

This section is extracted from instruction manual.

ALPHABETICAL ORDER

A - L

A.F.D. (button/indicator) **20** (22-24)
 CD **9** (20)
 DIMMER **3** (21)
 DISPLAY **2** (21, 43)
 Display **11** (21)
 DVD **7** (20)
 ENTER **15** (31, 33)
 FM MODE **25** (28)
 INPUT MODE **13** (20)
 IR (receptor) **4** (34, 43)

M - O

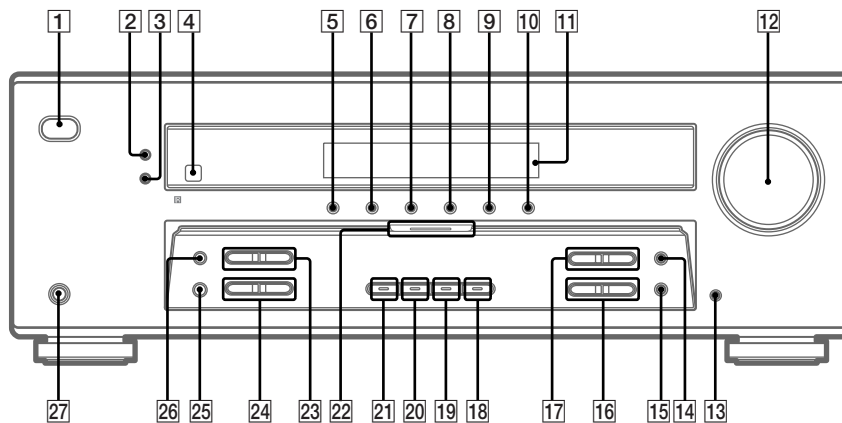
MAIN MENU **14** (15, 26, 27, 31, 32, 47)
 MASTER VOLUME **12** (18, 20, 41)
 MD/TAPE **8** (20)
 MEMORY **26** (29)
 MENU +/- **16** (15, 26, 27, 31, 32, 47)
 MENU </> **17** (15, 26, 27, 31, 32, 47)
 MOVIE (button/indicator) **19** (23, 42)
 MULTI CHANNEL DECODING (indicator) **22** (20)
 MUSIC (button/indicator) **18** (23, 24, 42)

P - Z

PHONES (jack) **27** (20, 25, 42)
 PRESET TUNING +/- **23** (29, 30, 45)
 TUNER FM/AM **10** (20, 29, 30, 31)
 TUNING +/- **24** (28, 29)
 VIDEO 1 **5** (20)
 VIDEO 2 **6** (20)

NUMBERS AND SYMBOLS

2CH (button/indicator) **21** (22, 24, 27)
 I/⏻ (power) **1** (14, 19, 27, 33, 45)



SECTION 2 TEST MODE

FACTORY PRESET MODE

* All preset contents are reset to the default setting.

* Procedure:

While depressing the **FM MODE** and the **PRESET TUNING-** buttons simultaneously, press the **I/⏻** button again. The message “FACTORY” appears and the present contents are reset to the default values.

AM CHANNEL STEP 9 KHZ/10 KHZ SELECTION MODE

* Either the 9 kHz step or 10 kHz step can be selected for the AM channel step.

* Procedure:

Set the FUNCTION to AM. Turn off the main power. While depressing the **TUNING+** button or the **PRESET TUNING+** button, press the **I/⏻** button to turn on the main power. Either the message “9 k STEP” or “10 k STEP” appears. Select the desired step.

SPEAKER SIZE SELECTION MODE

* Either Normal Speaker or Micro Satellite Speaker can be selected.

* Procedure:

While depressing the **MAIN MENU** button, press the **I/⏻** button to turn the main power. Either the message “NORM. SP.” or “MICRO SP.” is displayed. Select the desired speaker size.

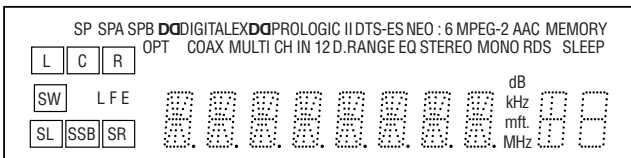
FLUORESCENT INDICATOR TUBE TEST MODE

* All fluorescent segments are tested. When this test is activated, all segments turn on at the same time, then each segment turns on one after another.

* Procedure:

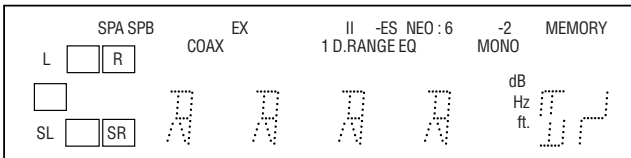
While depressing the **FM MODE** and the **MD/TAPE** buttons simultaneously, press the **I/⏻** button to turn on the main power.

1. All segments turn on.



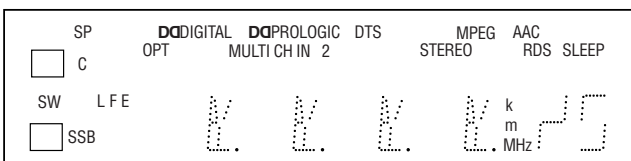
2CH, **A. F. D**, **MOVIE** and **MUSIC** LED turn on.

2. Press the **VIDEO1** button, confirm display.



2CH and **MOVIE** LED turn on.

3. Press the **VIDEO1** button, confirm display



A. F. D, **MUSIC** and blue LED turn on.

4. Press the **VIDEO1** button, All segments and all LEDs turn off.

5. Every pressing of the **VIDEO1** button turns on each segment and LED one after another in the same order.

(Not only the **VIDEO1** button, but also the other buttons such as **VIDEO2**, **DVD**, **MD/TAPE**, **CD** and **TUNER FM/AM** can be used.)

SOUND FIELD CLEAR MODE

* The preset sound field is cleared when this mode is activated. Use this mode before returning the product to clients upon completion of repair.

* Procedure:

While depressing the **2CH** button, press the **I/⏻** button to turn on the main power. The message “SF. CLR.” appears and initialization is performed.

SOFTWARE VERSION DISPLAY MODE

* The software version is displayed.

* Procedure:

While depressing the **FM MODE** and the **DVD** buttons simultaneously, press the **I/⏻** button to turn on the main power. The model name, destination and the software version are displayed.

KEY CHECK MODE

* Button check

* Procedure:

While depressing the **MUSIC** and the **TUNING-** buttons simultaneously, press the power **I/⏻** button to turn on the main power.

“REST 25” appears.

Every pressing of any button other than **I/⏻** counts down the buttons. The buttons which are already counted once are not counted again. When all buttons are pressed “REST 00” appears.

COMMAND MODE SELECTION MODE

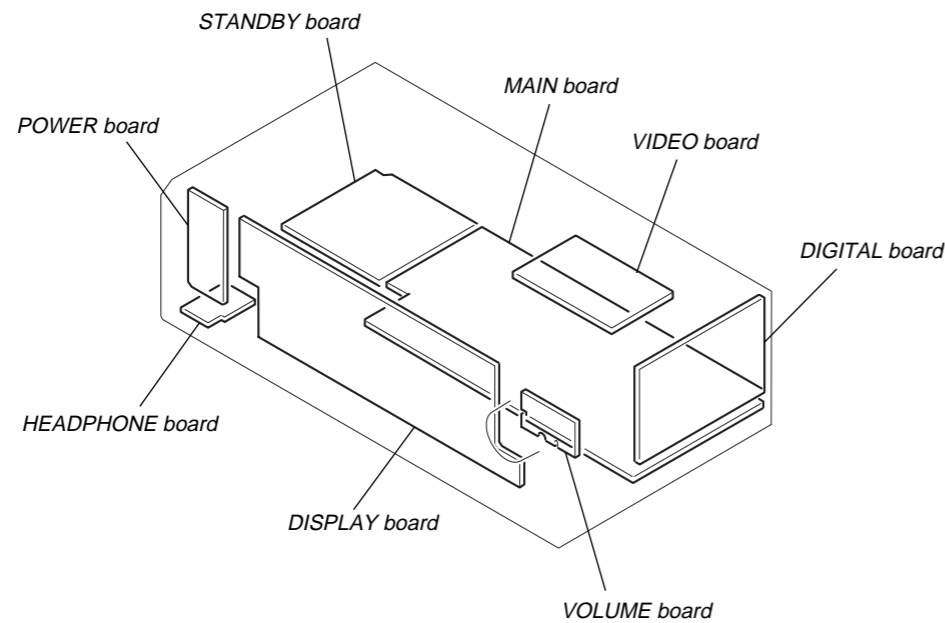
* The command mode (AV1 or AV2) of the remote commander can be selected.

* Procedure:

1. While depressing the **ENTER** button, press the **I/⏻** button to turn on the main power.
2. The message “C.MODE.AV 1” or “C.MODE.AV 2” appears for a moment. Select the desired mode.

SECTION 3 DIAGRAMS


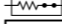

3-1. Circuit Board Location








THIS NOTE IS COMMON FOR PRINTED WIRING BOARDS AND SCHEMATIC DIAGRAMS. (In addition to this necessary note is printed in each block.)

For schematic diagrams.

Note:

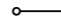
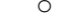


- All capacitors are in μF unless otherwise noted. p : pF. 50 WV or less are not indicated except for electrolytics and tantalums.
- All resistors are in Ω and $1/4\text{W}$ or less unless otherwise specified.
- % : indicates tolerance.
- Δ : internal component.
-  : nonflammable resistor.
-  : fusible resistor.
-  : panel designation.

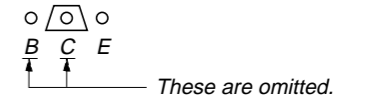
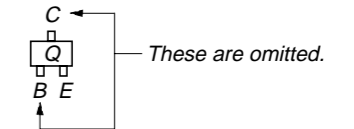
Note: The components identified by mark Δ or dotted line with mark Δ are critical for safety. Replace only with part number specified.

-  : B+ Line.
-  : B- Line.
- Voltages and waveforms are dc with respect to ground under no-signal (detuned) conditions. No mark : FM
- Voltages are taken with a VOM (Input impedance 10 M Ω). Voltage variations may be noted due to normal production tolerances.
- Waveforms are taken with a oscilloscope.
- Circled numbers refer to waveforms.
- **Signal path.**
 -  : FM
 -  : CD (ANALOG)
 -  : DVD (DIGITAL)

For printed wiring boards.

Note:

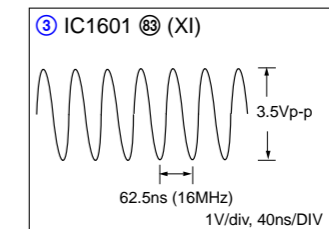
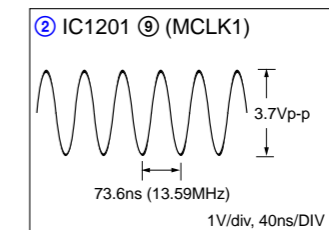
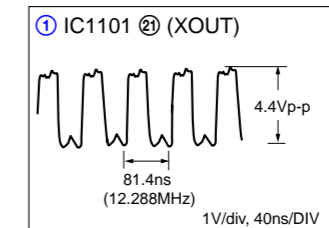
-  : parts extracted from the component side.
-  : Through hole.
-  : internal component.
-  : Pattern from the side which enables seeing.



Caution:
 Pattern face side: Parts on the pattern face side seen from the pattern face are indicated.
 Parts face side: Parts on the parts face side seen from the parts face are indicated.

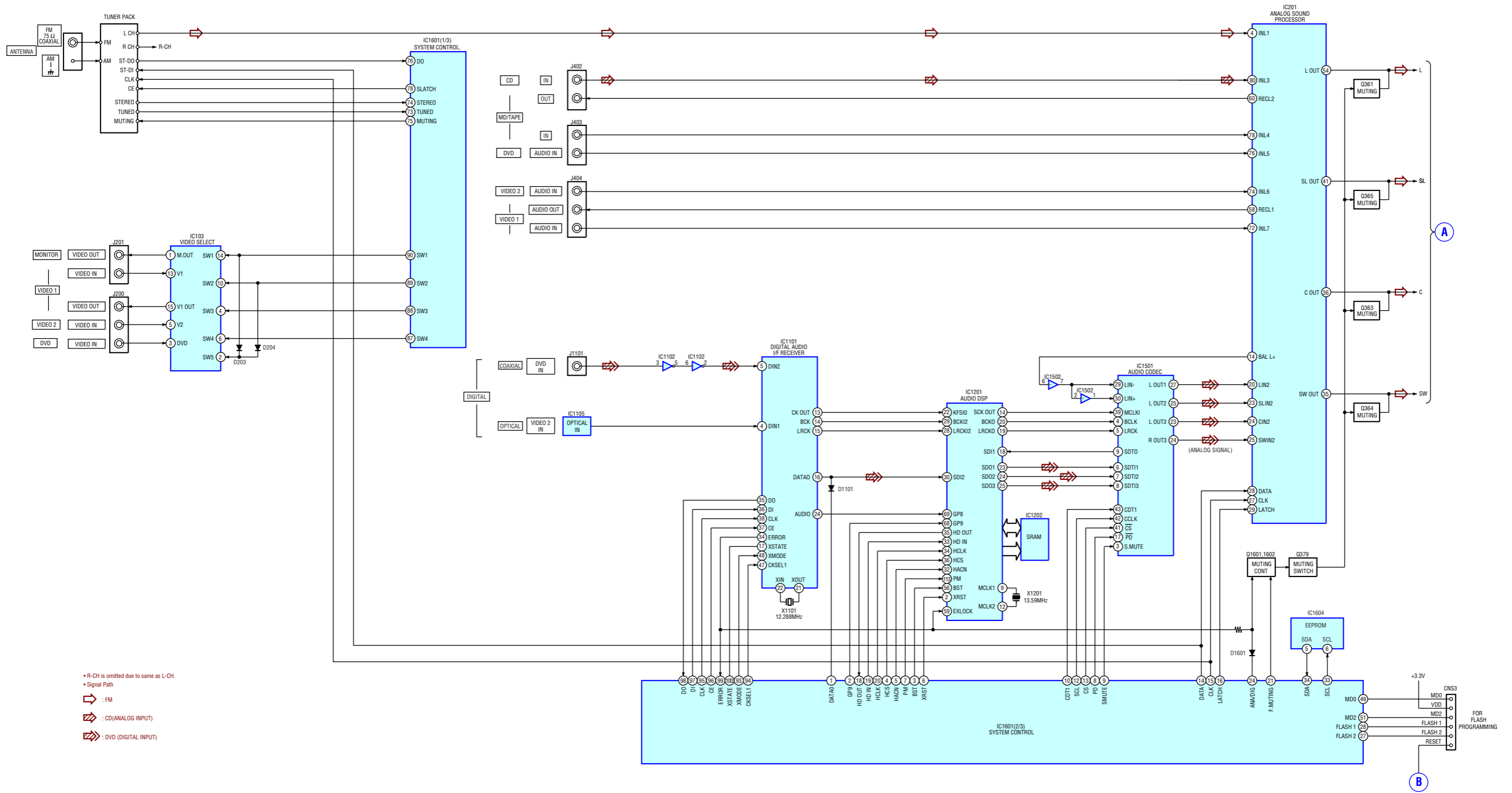
• Waveform

DIGITAL Board

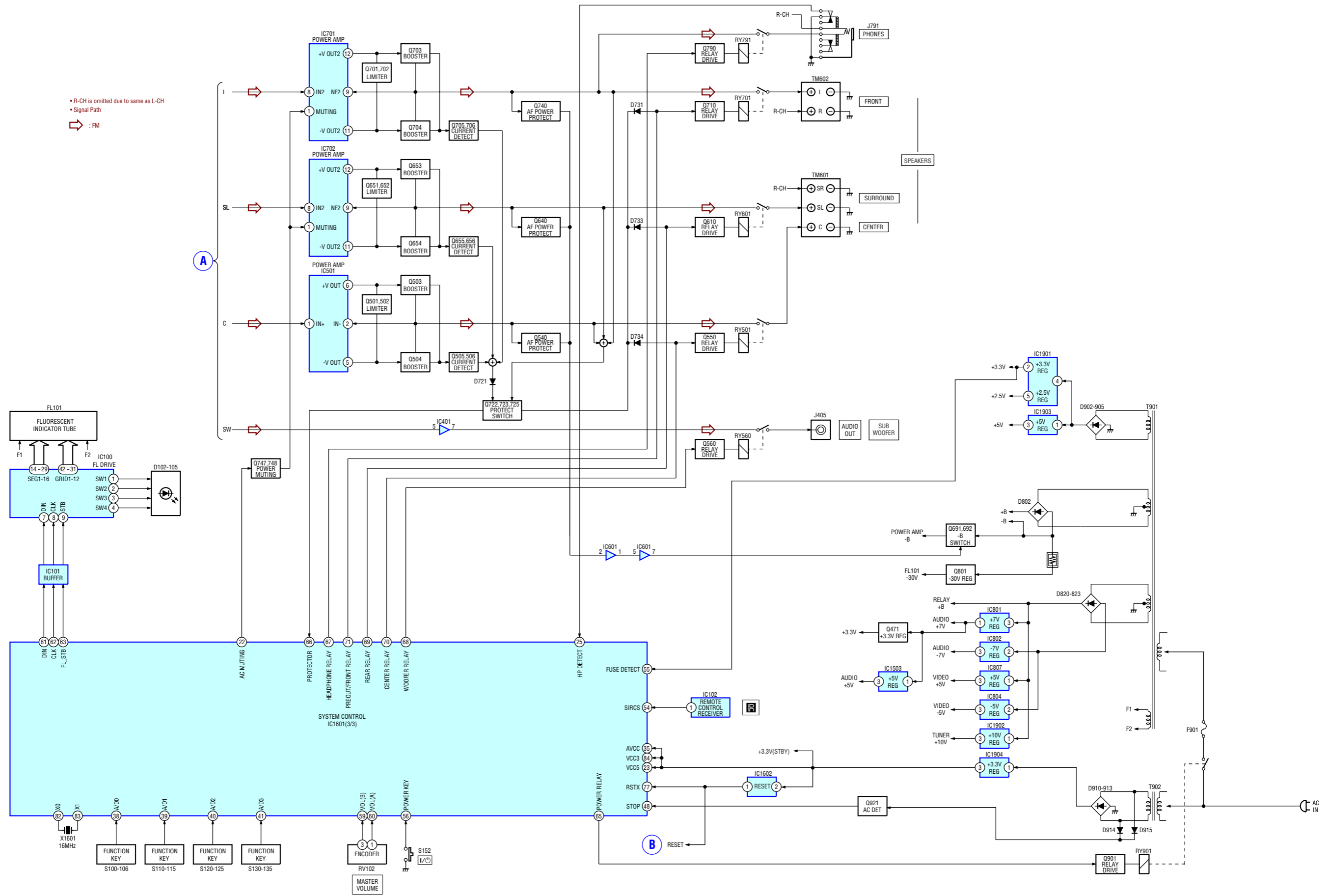


STR-K751P

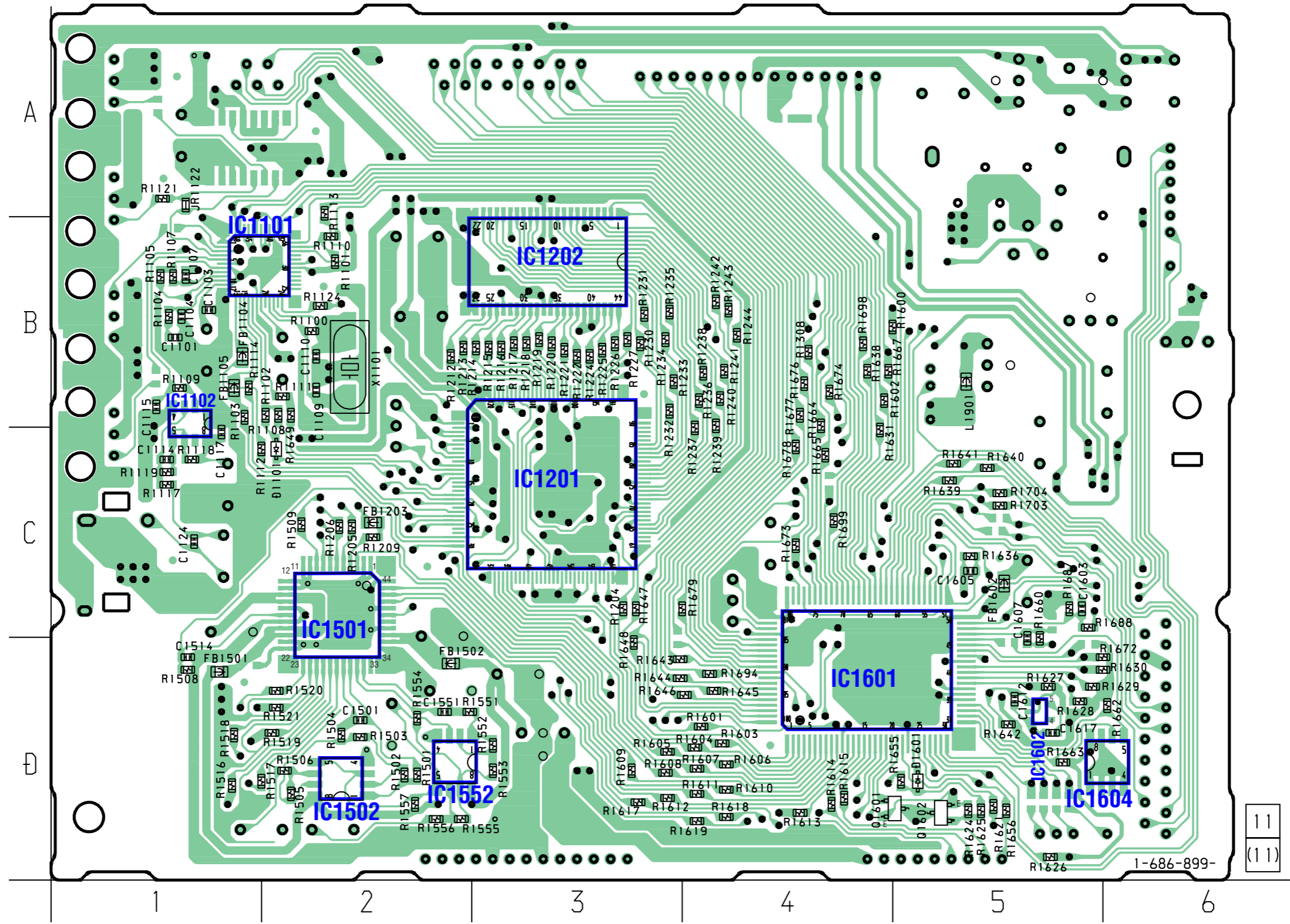
3-2. Block Diagrams – MAIN Section –



- DISPLAY/POWER Section -




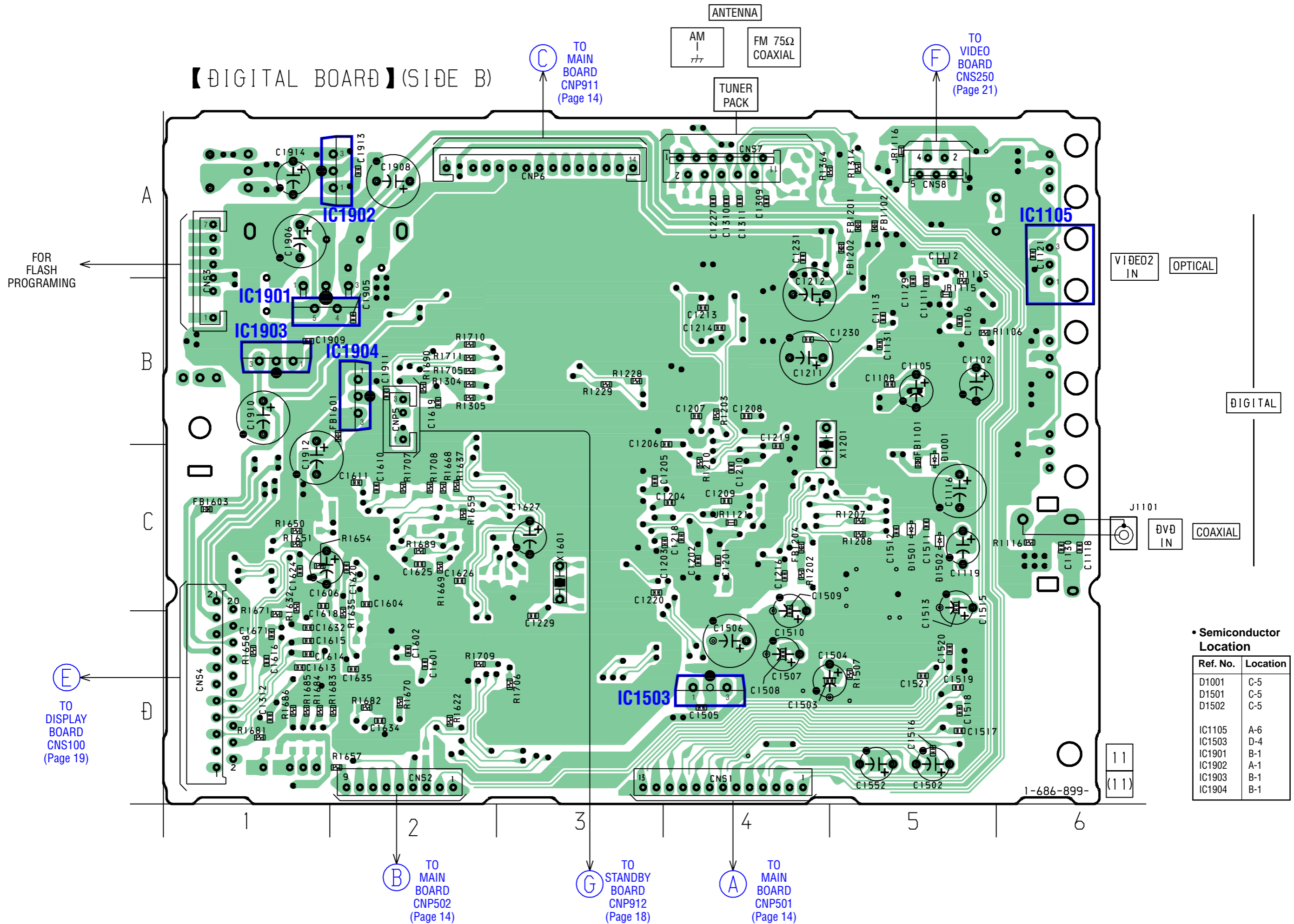
【DIGITAL BOARD】(SIDE A)



• Semiconductor Location

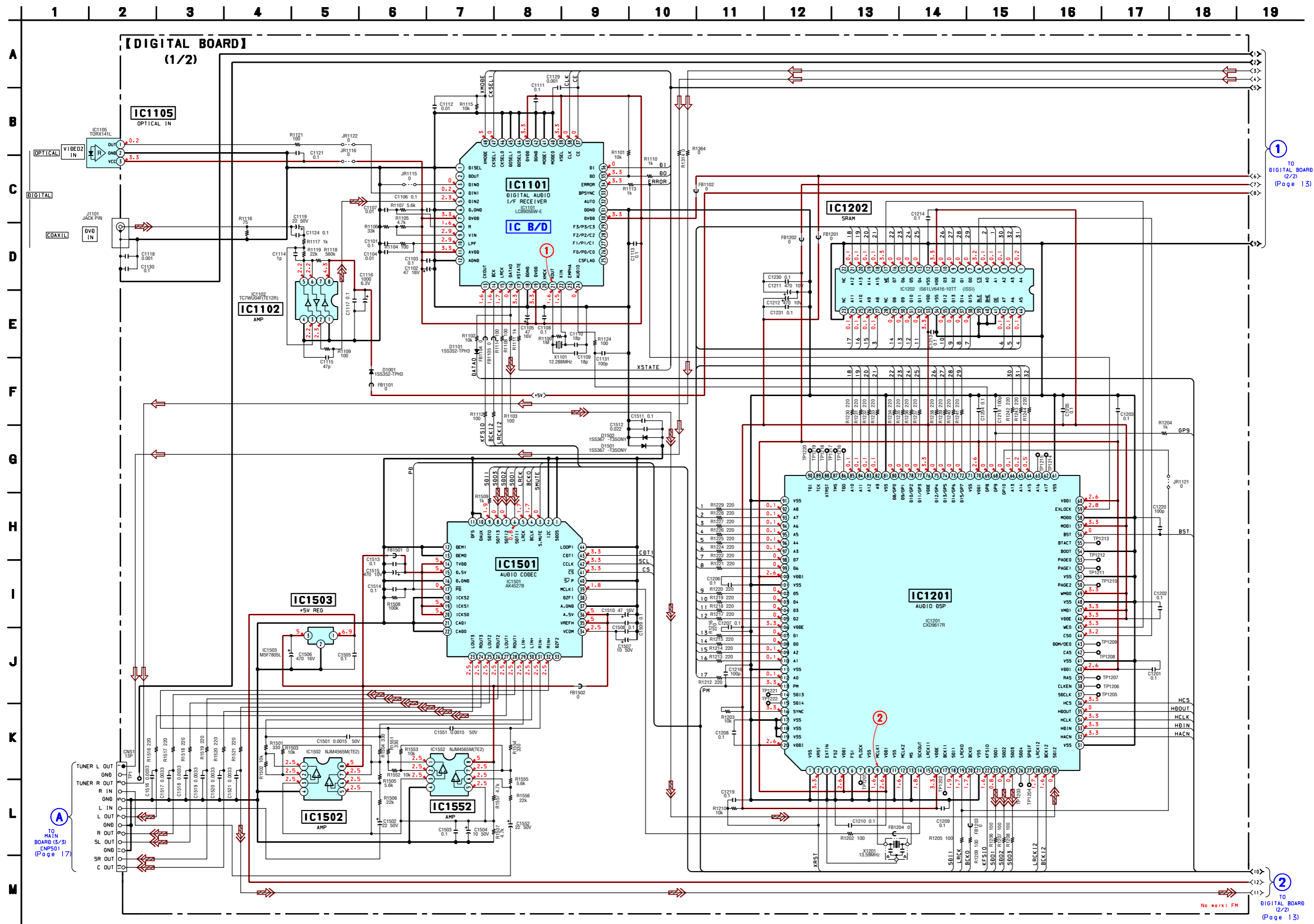
| Ref. No. | Location |
|----------|----------|
| D1101 | C-2 |
| D1601 | D-5 |
| IC1101 | B-2 |
| IC1102 | B-1 |
| IC1201 | C-3 |
| IC1202 | B-3 |
| IC1501 | D-2 |
| IC1502 | D-2 |
| IC1552 | D-2 |
| IC1601 | D-4 |
| IC1602 | D-5 |
| IC1604 | D-5 |
| Q1601 | D-4 |
| Q1602 | D-5 |

3-4. Printed Wiring Board – DIGITAL Board (SIDE B) – • See page 7 for Circuit Boards Location. •  : Uses unleaded solder.



• Semiconductor Location

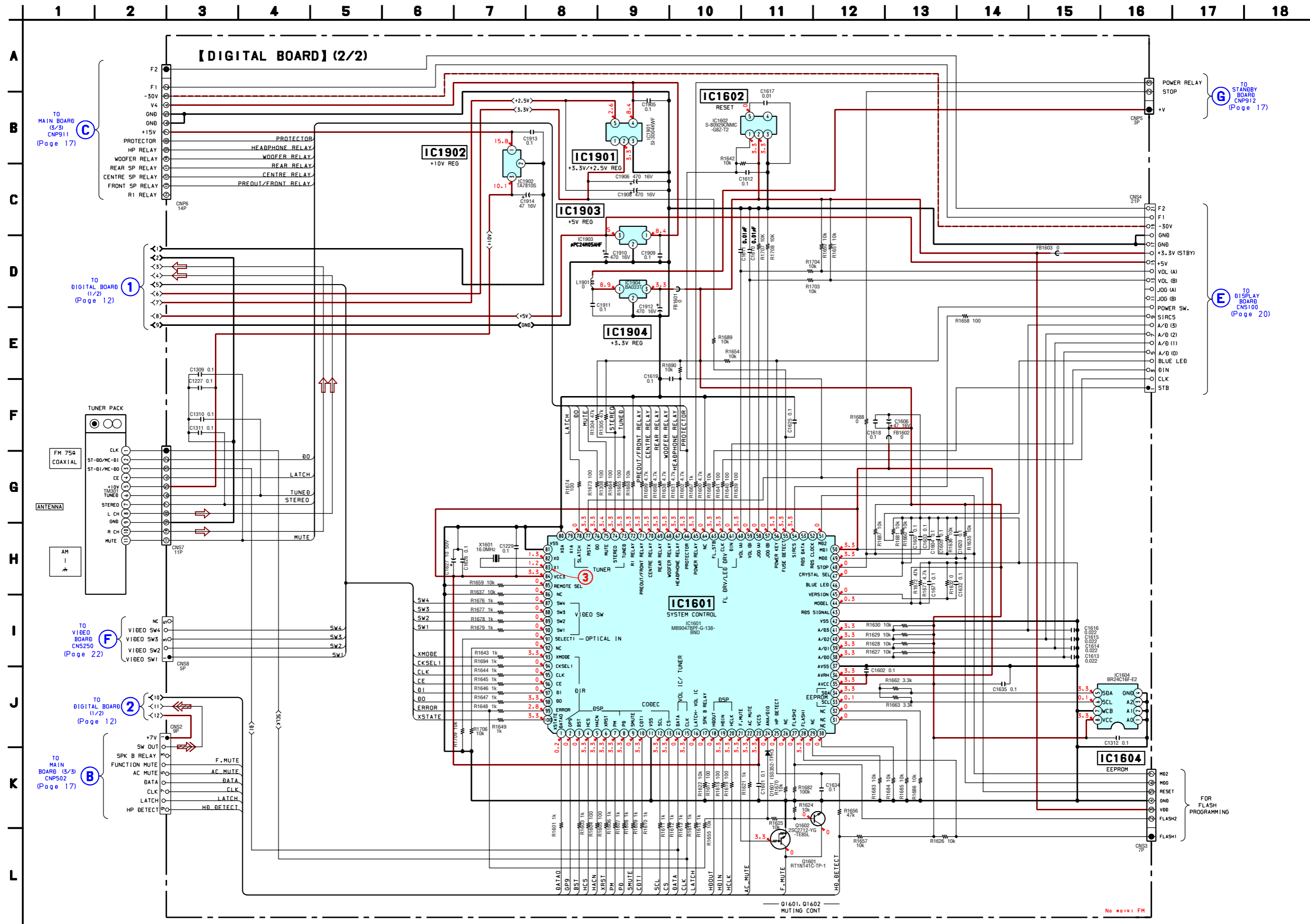
| Ref. No. | Location |
|----------|----------|
| D1001 | C-5 |
| D1501 | C-5 |
| D1502 | C-5 |
| IC1105 | A-6 |
| IC1503 | D-4 |
| IC1901 | B-1 |
| IC1902 | A-1 |
| IC1903 | B-1 |
| IC1904 | B-1 |



① TO DIGITAL BOARD (2/2) (Page 13)

② TO DIGITAL BOARD (2/2) (Page 13)

3-6. Schematic Diagram – DIGITAL Section (2/2) – • See page 7 for Waveforms.



G TO STANDBY BOARD CNP912 (Page 17)

E TO DISPLAY BOARD CNS100 (Page 20)

C TO MAIN BOARD (3/3) CNP911 (Page 17)

1 TO DIGITAL BOARD (1/2) (Page 12)

F TO VIDEO BOARD CNS250 (Page 22)

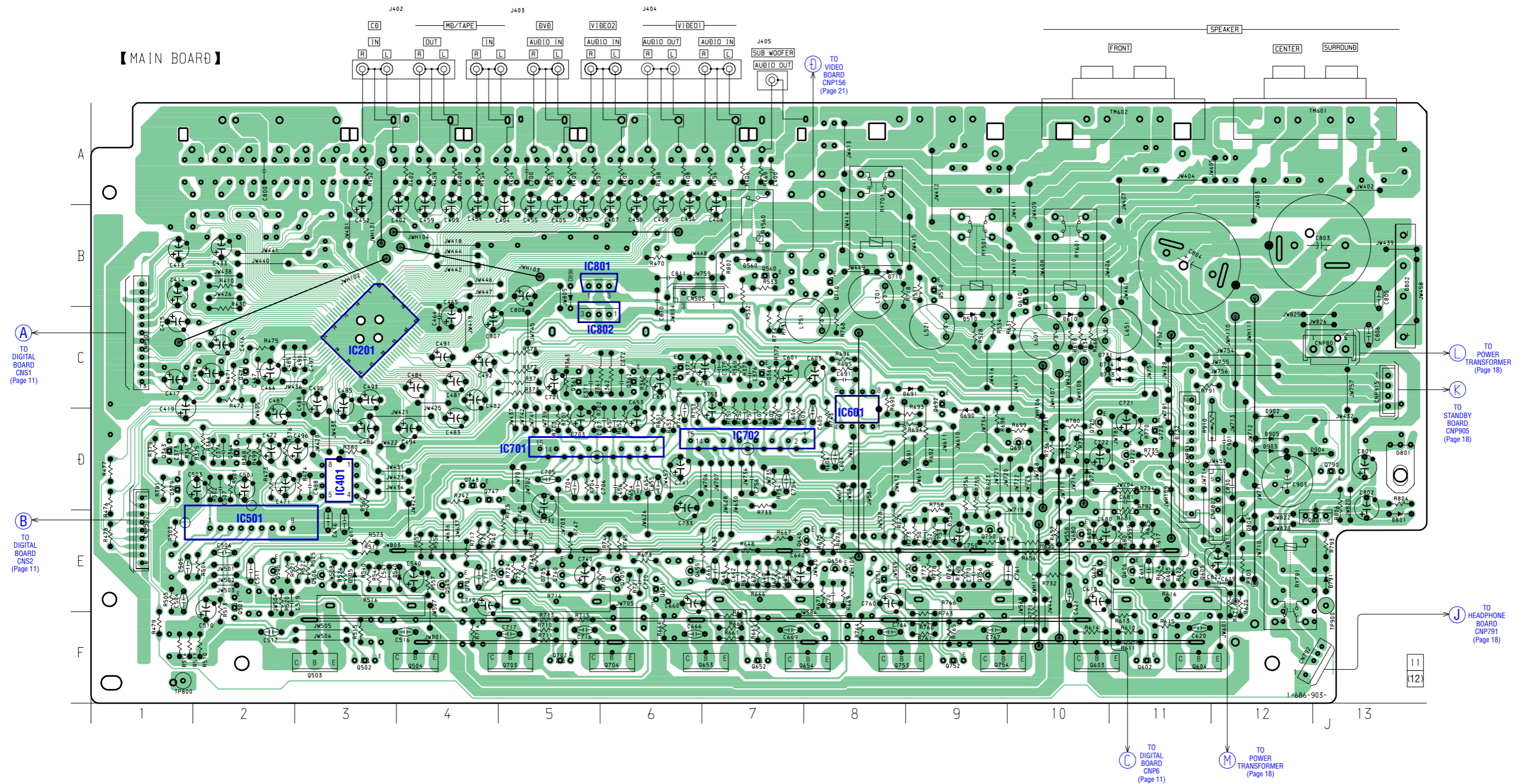
2 TO DIGITAL BOARD (1/2) (Page 12)

B TO MAIN BOARD (3/3) CNP502 (Page 17)

FOR FLASH PROGRAMMING

Q1601, Q1602
MUTING CONT

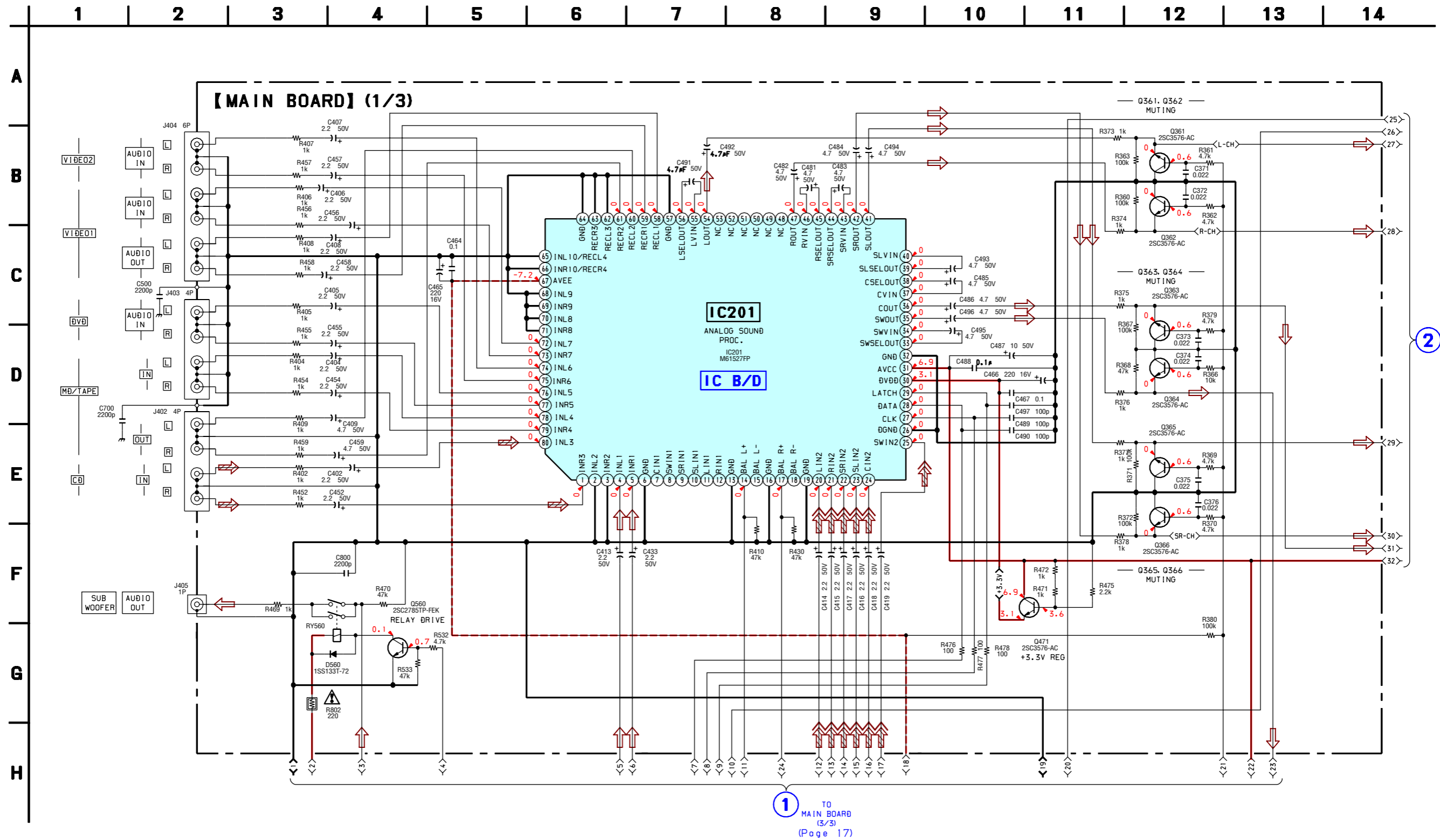
No mark: FM

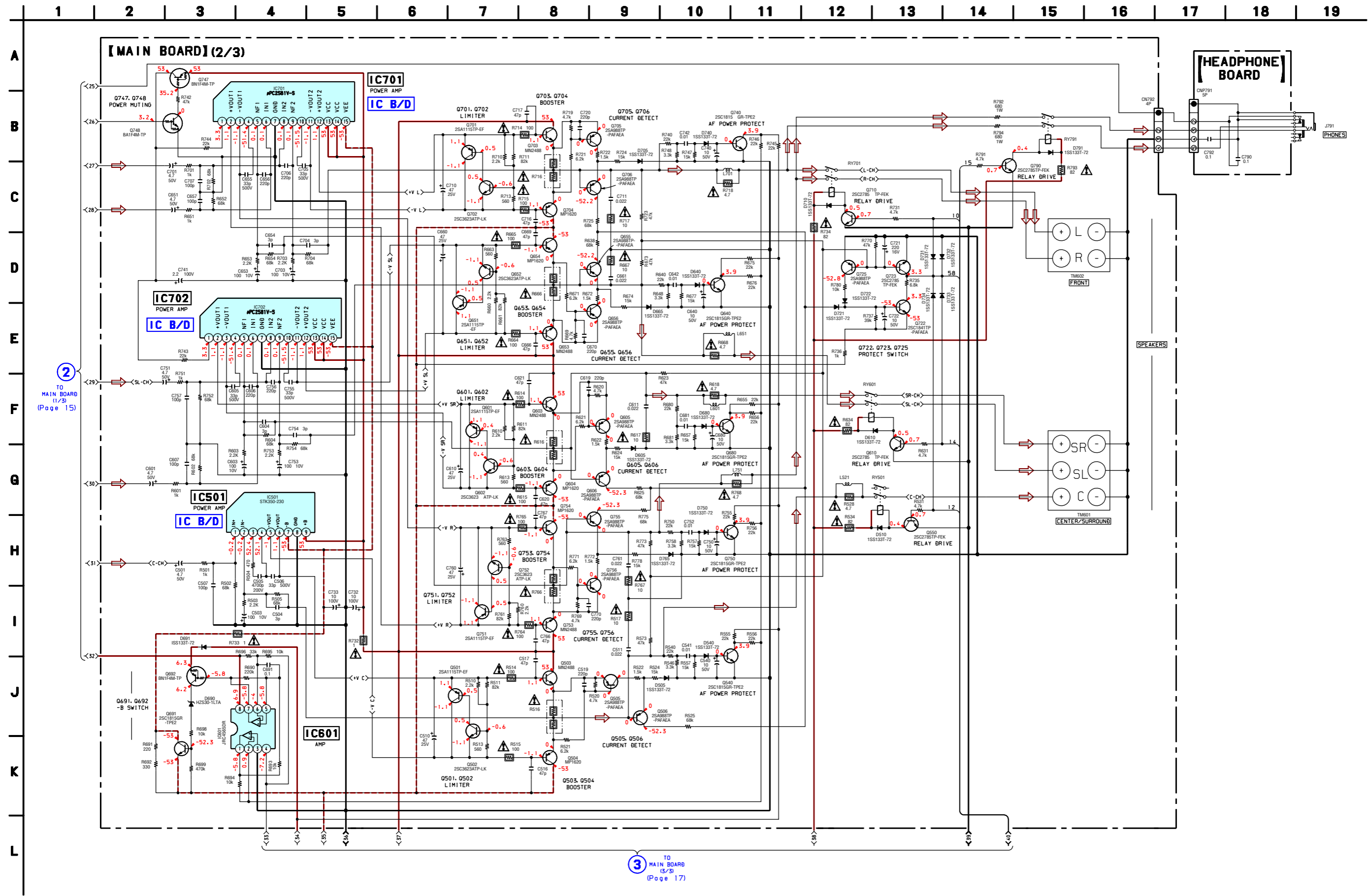


• Semiconductor Location

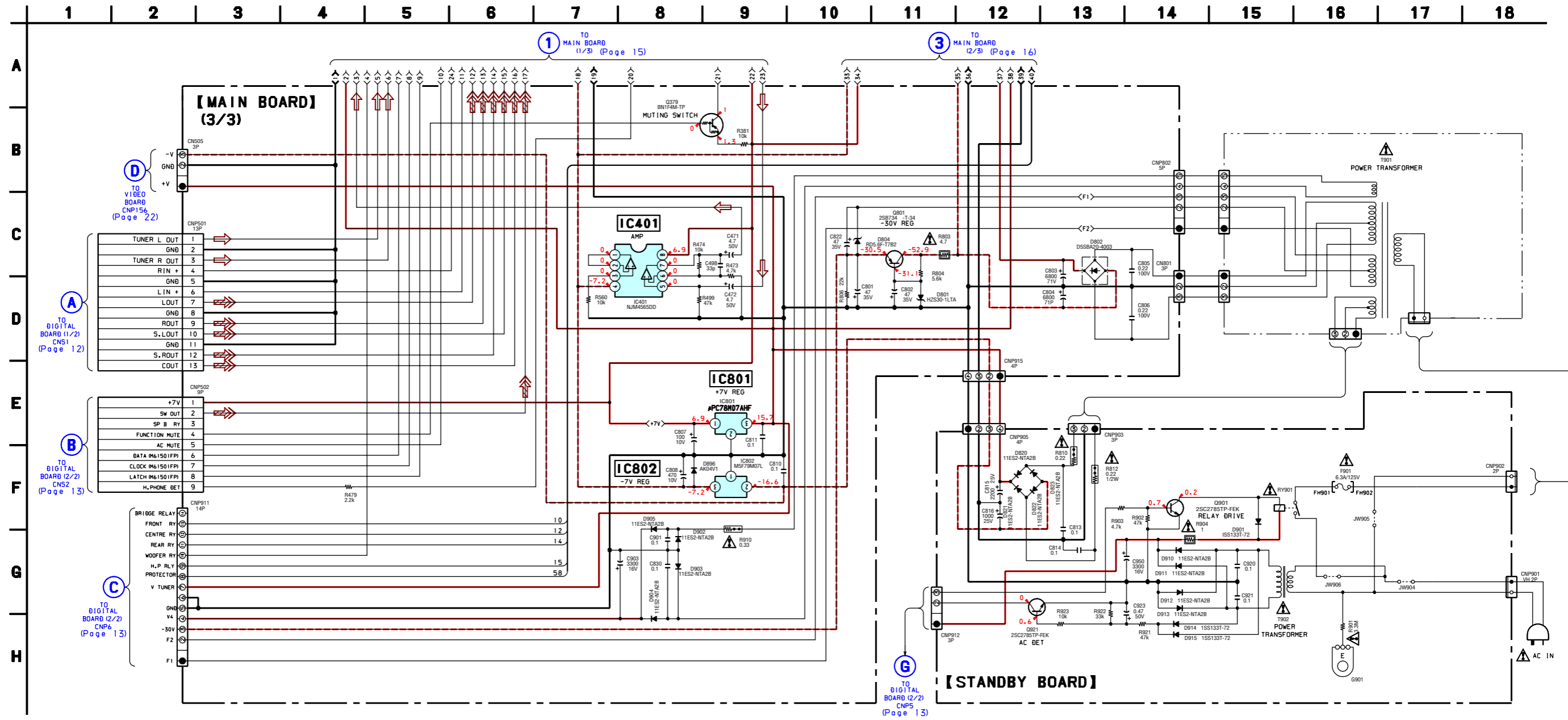
| Ref. No. | Location | Ref. No. | Location | Ref. No. | Location | Ref. No. | Location | Ref. No. | Location | Ref. No. | Location | Ref. No. | Location |
|----------|----------|----------|----------|----------|----------|----------|----------|----------|----------|----------|----------|----------|----------|
| D505 | E-3 | D722 | D-10 | D903 | D-12 | Q362 | C-6 | Q550 | B-9 | Q655 | E-6 | Q725 | D-10 |
| D510 | C-9 | D731 | C-10 | D904 | D-12 | Q363 | D-1 | Q560 | B-7 | Q656 | E-8 | Q740 | E-5 |
| D540 | E-3 | D732 | D-11 | D905 | D-12 | Q364 | D-2 | Q601 | E-10 | Q680 | E-10 | Q747 | D-4 |
| D560 | B-7 | D733 | C-10 | | | Q365 | C-6 | Q602 | F-11 | Q691 | D-9 | Q748 | D-4 |
| D605 | E-11 | D734 | C-10 | IC201 | C-3 | Q366 | C-7 | Q603 | F-10 | Q692 | C-9 | Q750 | E-9 |
| D610 | C-10 | D740 | E-5 | IC401 | D-3 | Q379 | D-1 | Q604 | F-11 | Q701 | E-4 | Q751 | E-8 |
| D640 | E-7 | D750 | E-9 | IC501 | E-2 | Q471 | C-2 | Q605 | E-11 | Q702 | F-5 | Q752 | F-9 |
| D665 | E-7 | D765 | E-9 | IC601 | D-8 | Q501 | E-2 | Q606 | E-11 | Q703 | F-5 | Q753 | F-8 |
| D680 | E-10 | D791 | E-13 | IC701 | D-5 | Q502 | F-3 | Q610 | C-10 | Q704 | F-6 | Q754 | F-9 |
| D690 | D-9 | D801 | E-13 | IC702 | D-7 | Q503 | F-3 | Q640 | E-7 | Q705 | E-6 | Q755 | E-8 |
| D691 | C-8 | D802 | E-13 | IC801 | B-5 | Q504 | F-4 | Q651 | E-6 | Q706 | E-4 | Q756 | E-9 |
| D705 | E-5 | D804 | E-12 | IC802 | C-5 | Q505 | E-2 | Q652 | F-7 | Q710 | C-8 | Q790 | D-13 |
| D710 | B-8 | D896 | B-5 | | | Q506 | E-3 | Q653 | F-7 | Q722 | D-11 | Q801 | E-12 |
| D721 | D-10 | D902 | D-12 | Q361 | C-5 | Q540 | E-4 | Q654 | F-8 | Q723 | D-11 | | |

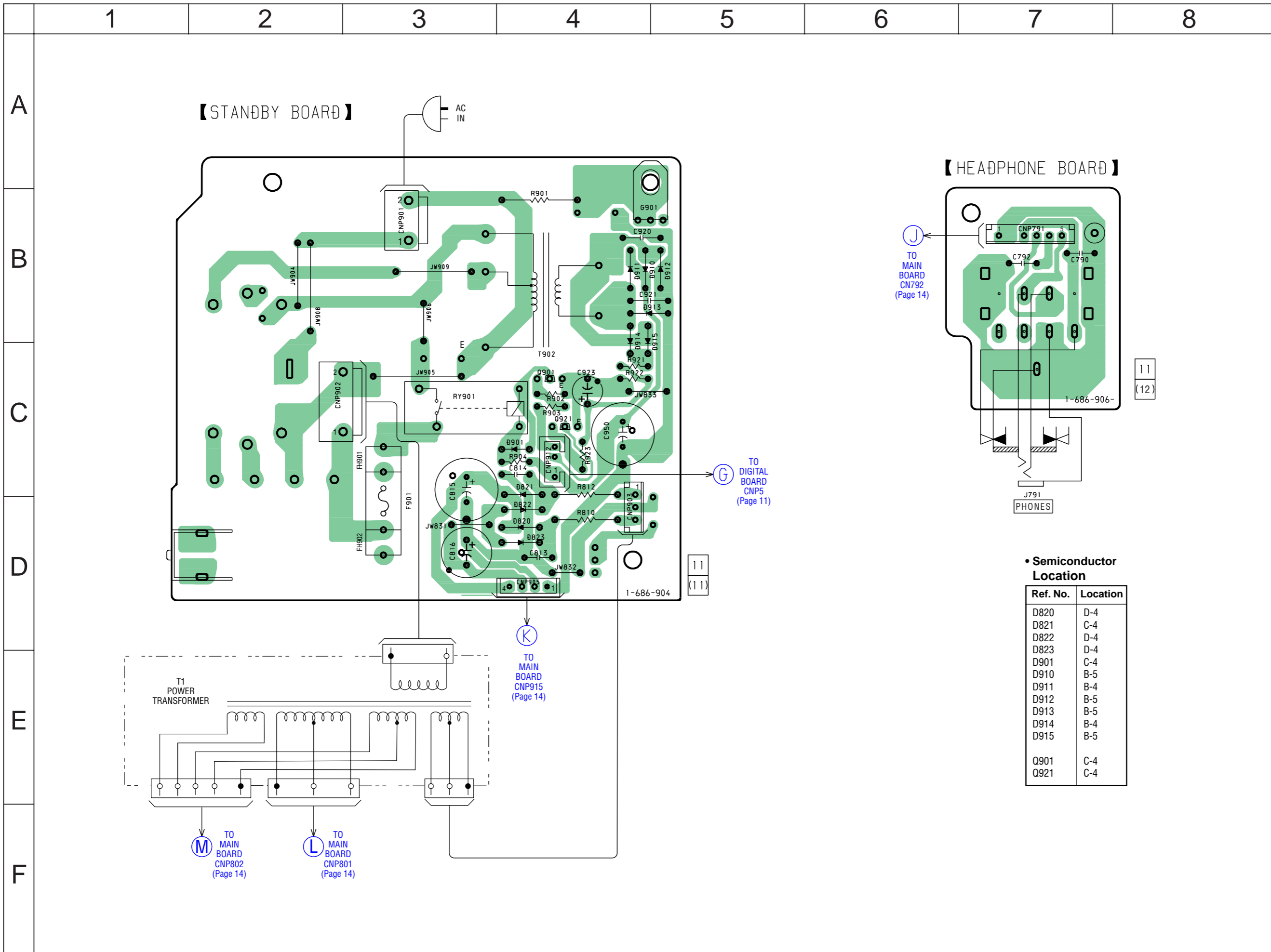
3-8. Schematic Diagram – MAIN Section (1/3) – • See page 24 for IC Block Diagrams.






3-10. Schematic Diagram – MAIN Section (3/3) –



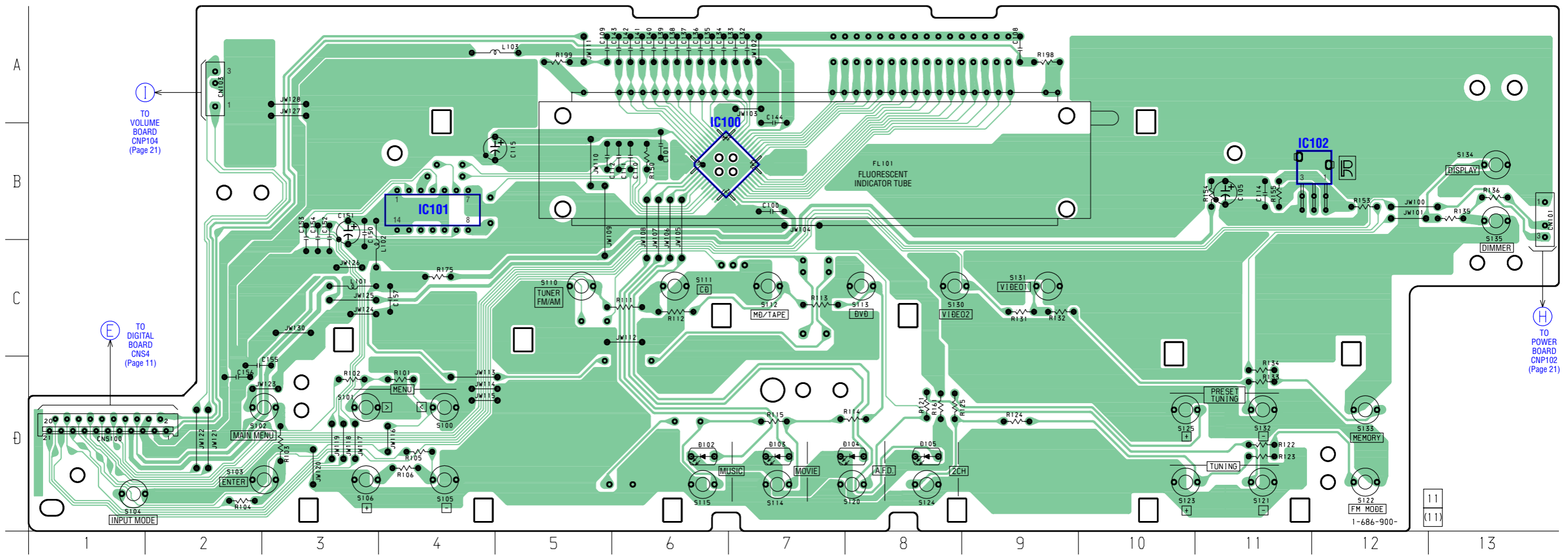


• Semiconductor Location

| Ref. No. | Location |
|----------|----------|
| D820 | D-4 |
| D821 | C-4 |
| D822 | D-4 |
| D823 | D-4 |
| D901 | C-4 |
| D910 | B-5 |
| D911 | B-4 |
| D912 | B-5 |
| D913 | B-5 |
| D914 | B-4 |
| D915 | B-5 |
| Q901 | C-4 |
| Q921 | C-4 |

3-12. Printed Wiring Board – DISPLAY Board – • See page 7 for Circuit Boards Location. •  : Uses unleaded solder.

【DISPLAY BOARD】

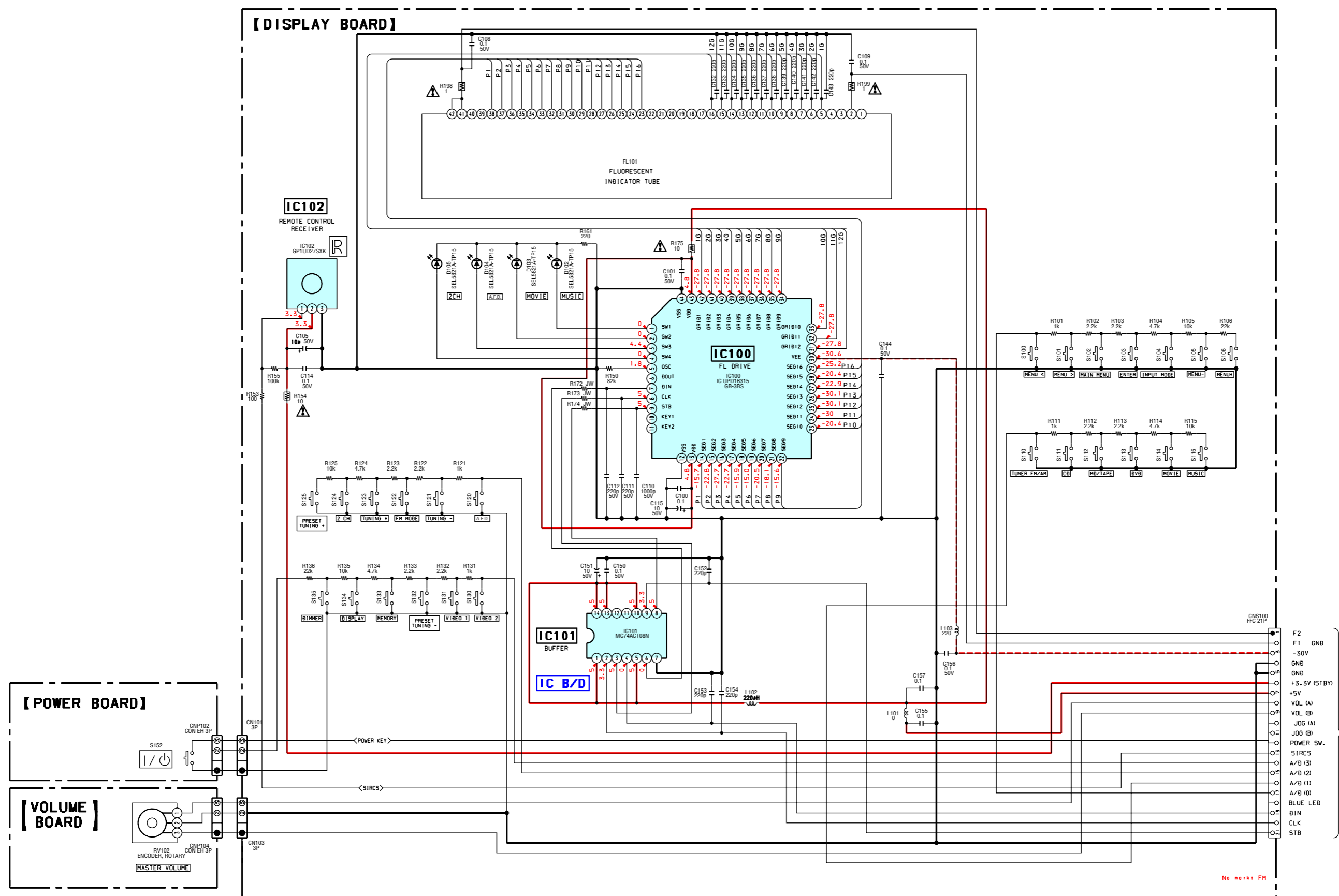


• Semiconductor Location

| Ref. No. | Location |
|----------|----------|
| D102 | D-6 |
| D103 | D-7 |
| D104 | D-8 |
| D105 | D-8 |
| IC100 | B-6 |
| IC101 | B-4 |
| IC102 | B-11 |

1 2 3 4 5 6 7 8 9 10 11 12 13 14 15 16 17


A
B
C
D
E
F
G
H
I
J
K

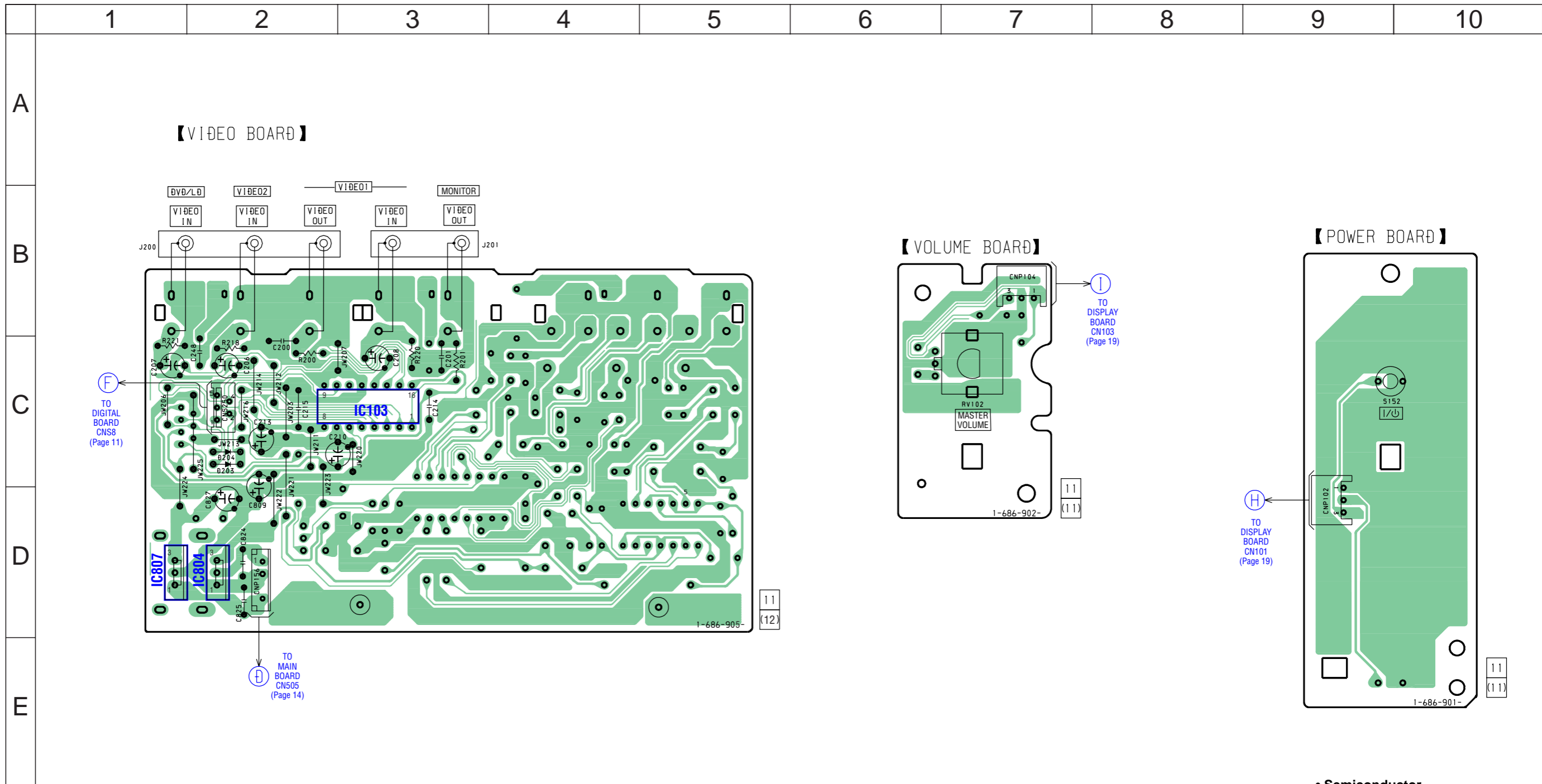


E
TO
DIGITAL
BOARD (2/2)
CNS4
(Page 13)

No mark: FM

3-14. Printed Wiring Board – VIDEO Section –

• See page 7 for Circuit Boards Location. •  : Uses unleaded solder.

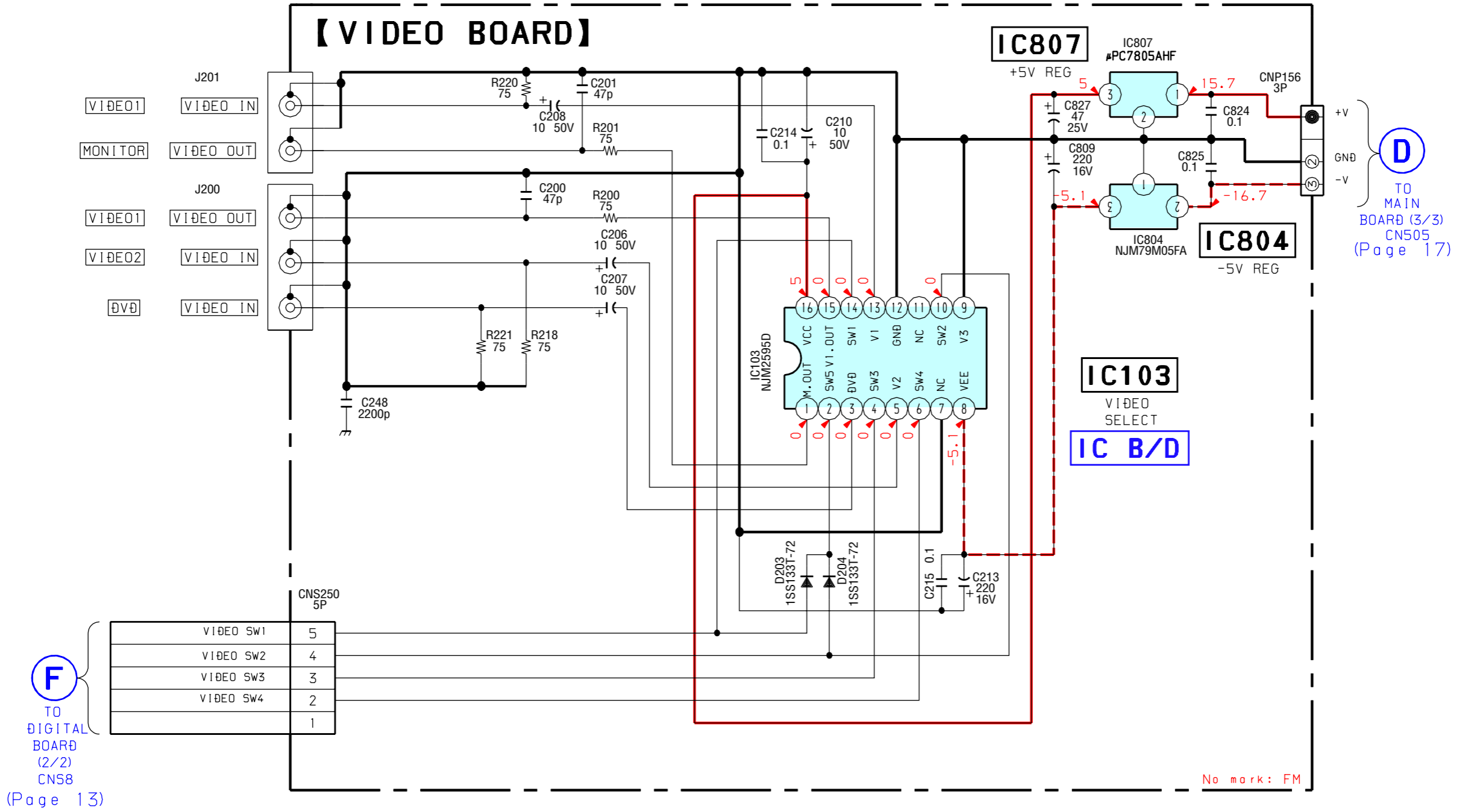


• Semiconductor Location

| Ref. No. | Location |
|----------|----------|
| D203 | C-2 |
| D204 | C-2 |
| IC103 | C-3 |
| IC804 | D-2 |
| IC807 | D-1 |

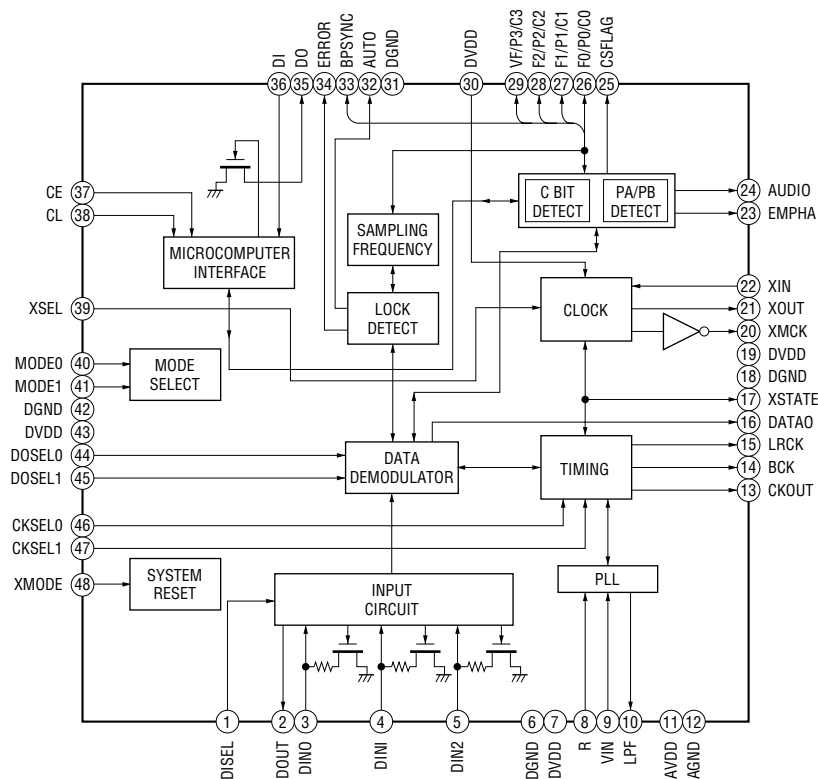
1 2 3 4 5 6 7 8 9

A
B
C
D
E

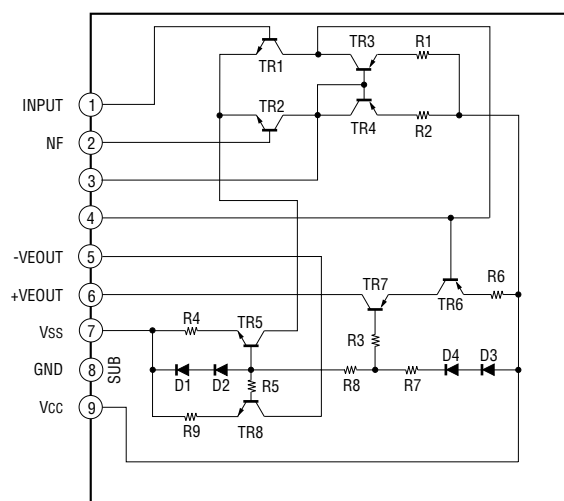


3-16. IC Block Diagrams

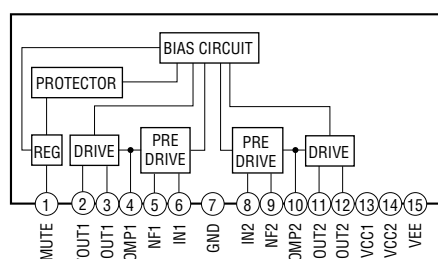
IC1101 LC89056W-E (DIGITAL BOARD)



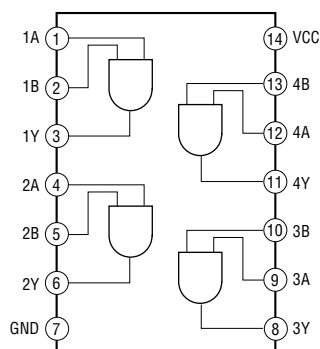
IC501 STK350-230 (MAIN BOARD)



IC701, IC702 μPC2581V-S (MAIN BOARD)

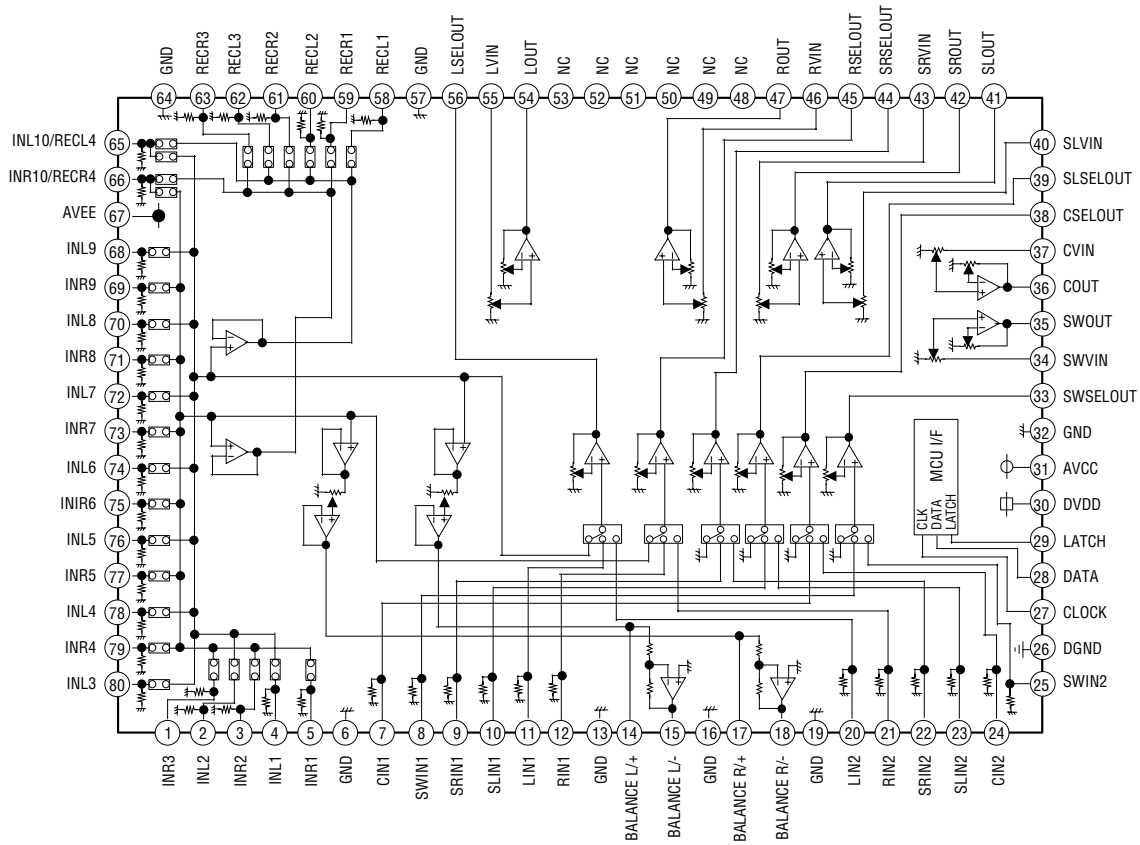


IC101 MC74ACT08N (DISPLAY BOARD)

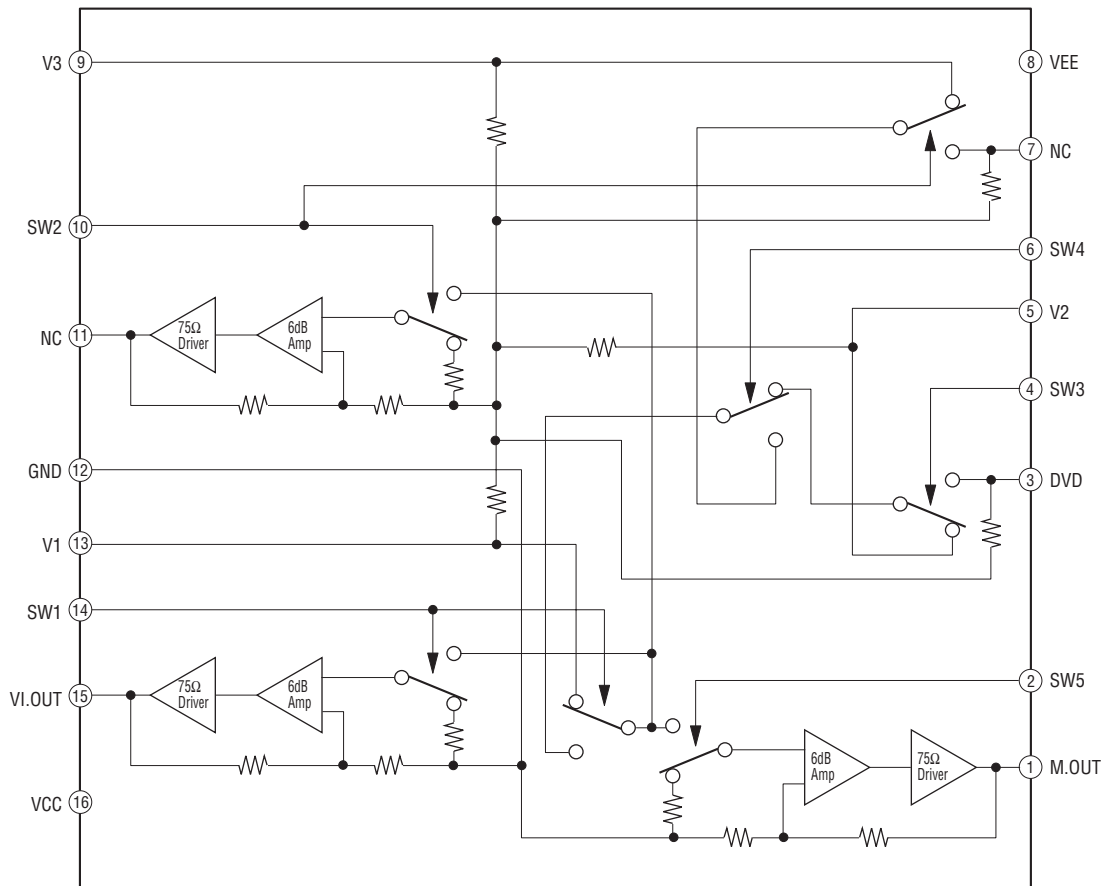


STR-K751P

IC201 M61527FP (MAIN BOARD)



IC103 NJM2595D (VIDEO BOARD)



3-17. IC Pin Function Descriptions

• IC1601 MB9047BPF-G-138-BND (SYSTEM CONTROL)

| Pin No. | Pin Name | I/O | Description |
|---------|-------------|-----|---|
| 1 | DATAO | I | Audio data signal input from DIR |
| 2 | GP9 | I | GP9 signal input from DSP |
| 3 | BST | O | BST signal output to DSP |
| 4 | HCS | O | HCS signal output to DSP |
| 5 | HACN | I | HACN signal input from DSP |
| 6 | XRST | O | Reset signal output to DSP |
| 7 | PM | O | PM signal output to DSP |
| 8 | PD | O | Power down signal output to AUDIO CODEC |
| 9 | SMUTE | O | Muting signal output to AUDIO CODEC |
| 10 | CDT1 | O | Control data signal output to AUDIO CODEC |
| 11 | VSS | — | Ground terminal |
| 12 | SCL | O | Clock signal output to AUDIO CODEC |
| 13 | CS | O | Chip select signal output to AUDIO CODEC |
| 14 | DATA | O | Control data signal output to the sound processor |
| 15 | CLK | O | Clock signal output to the sound processor |
| 16 | LATCH | O | Latch signal output to the sound processor |
| 17 | SPK B RELAY | O | Not used |
| 18 | HDOUT | I | HDOUT signal input from DSP |
| 19 | HDIN | O | HDIN signal output to DSP |
| 20 | HCLK | O | Clock signal output to DSP |
| 21 | F.MUTE | O | Muting signal output |
| 22 | AC MUTE | O | Muting signal output to the power amplifier |
| 23 | VCC5 | — | Power supply |
| 24 | ANA/DIG | O | Muting and error signal output |
| 25 | HP DETECT | I | Headphone switch detect signal input |
| 26 | NC | — | Not used |
| 27 | FLASH2 | O | Terminal for FLASH programming |
| 28 | FLASH1 | I/O | Terminal for FLASH programming |
| 29 | NC | — | Not used |
| 30 | NC | — | Not used |
| 31 | NC | — | Not used |
| 32 | NC | — | Not used |
| 33 | SCL | O | Serial clock output |
| 34 | SDA | I/O | Serial data input or output |
| 35 | AVCC | — | Analog power supply |
| 36 | AVRH | — | Analog reference voltage input |
| 37 | AVSS | — | Analog ground terminal |
| 38 | A/D0 | I | Function key push signal input |
| 39 | A/D1 | I | Function key push signal input |
| 40 | A/D2 | I | Function key push signal input |
| 41 | A/D3 | I | Function key push signal input |
| 42 | VSS | — | Ground terminal |
| 43 | RDS SIGNAL | I | RDS signal detect input |
| 44 | MODEL | I | Version setting input (MODEL) |
| 45 | VERSION | I | Version setting input (DESTINATION) |
| 46 | BLUE LED | O | Multi channel decoding indication LED |
| 47 | CRYSTAL SEL | — | Short to ground terminal (Not used) |
| 48 | STOP | I | AC off detect signal input |
| 49 | MD0 | I | Operation mode setting input |
| 50 | MD1 | I | Operation mode setting input |

| Pin No. | Pin Name | I/O | Description |
|---------|--------------------|-----|--|
| 51 | MD2 | I | Operation mode setting input |
| 52 | RDS CLOCK | I | RDS clock signal input (Not used) |
| 53 | RDS DATA | I | RDS data signal input (Not used) |
| 54 | SIRCS | I | Data signal input from the remote control sensor |
| 55 | FUSE DETECT | I | Fuse detect signal input |
| 56 | POWER KEY | I | Power switch key detect signal input |
| 57 | JOG (B) | I | Jog dial signal input from the rotary encoder |
| 58 | JOG (A) | I | Jog dial signal input from the rotary encoder |
| 59 | VOL (B) | I | Jog dial signal input from the rotary encoder |
| 60 | VOL (A) | I | Jog dial signal input from the rotary encoder |
| 61 | DIN | O | Data signal output to the FL tube driver |
| 62 | CLK | O | Clock signal output to the FL tube driver |
| 63 | FL STB | O | Strobe signal output to the FL tube driver |
| 64 | NC | — | Not used |
| 65 | POWER RELAY | O | Power relay control signal output |
| 66 | PROTECTOR | I | Protector status detect signal input |
| 67 | HEADPHONE RELAY | O | Headphone relay control signal output |
| 68 | WOOFER RELAY | O | Woofers relay control signal output |
| 69 | REAR RELAY | O | Rear speaker relay control signal output |
| 70 | CENTRE RELAY | O | Centre speaker relay control signal output |
| 71 | PREOUT/FRONT RELAY | O | Front speaker relay control signal output |
| 72 | R1 RELAY | O | Bridgeable relay control |
| 73 | TUNED | I | Tuning a frequency signal input from the tuner |
| 74 | STEREO | I | Stereo tuning signal input from the tuner |
| 75 | MUTE | O | Muting signal output to the tuner |
| 76 | DO | I | Frequency data signal input from the tuner |
| 77 | RSTX | I | System reset |
| 78 | SLATCH | O | Latch signal output to the tuner |
| 79 | X1A | — | Not used |
| 80 | X0A | — | Not used |
| 81 | VSS | — | Ground terminal |
| 82 | X0 | — | Connection for a crystal resonator |
| 83 | X1 | — | Connection for a crystal resonator |
| 84 | VCC3 | — | Power supply |
| 85 | REMOTE SEL | — | Short to ground terminal (Not used) |
| 86 | NC | — | Not used |
| 87 | SW4 | O | Video select control signal output |
| 88 | SW3 | O | Video select control signal output |
| 89 | SW2 | O | Video select control signal output |
| 90 | SW1 | O | Video muting control signal output |
| 91 | SELECT1 | O | Optical in selector control signal output |
| 92 | NC | — | Not used |
| 93 | XMODE | O | Reset signal output to DIR |
| 94 | CKSEL 1 | O | CKSEL control signal to DIR |
| 95 | CLK | O | Clock signal output to DIR |
| 96 | CE | O | Chip enable signal output to DIR |
| 97 | DI | O | Data signal output to DIR |
| 98 | DO | I | Data signal input from DIR |
| 99 | ERROR | I | PLL error muting signal input from DIR |
| 100 | XSTATE | I | XSTATE data signal input from DIR |

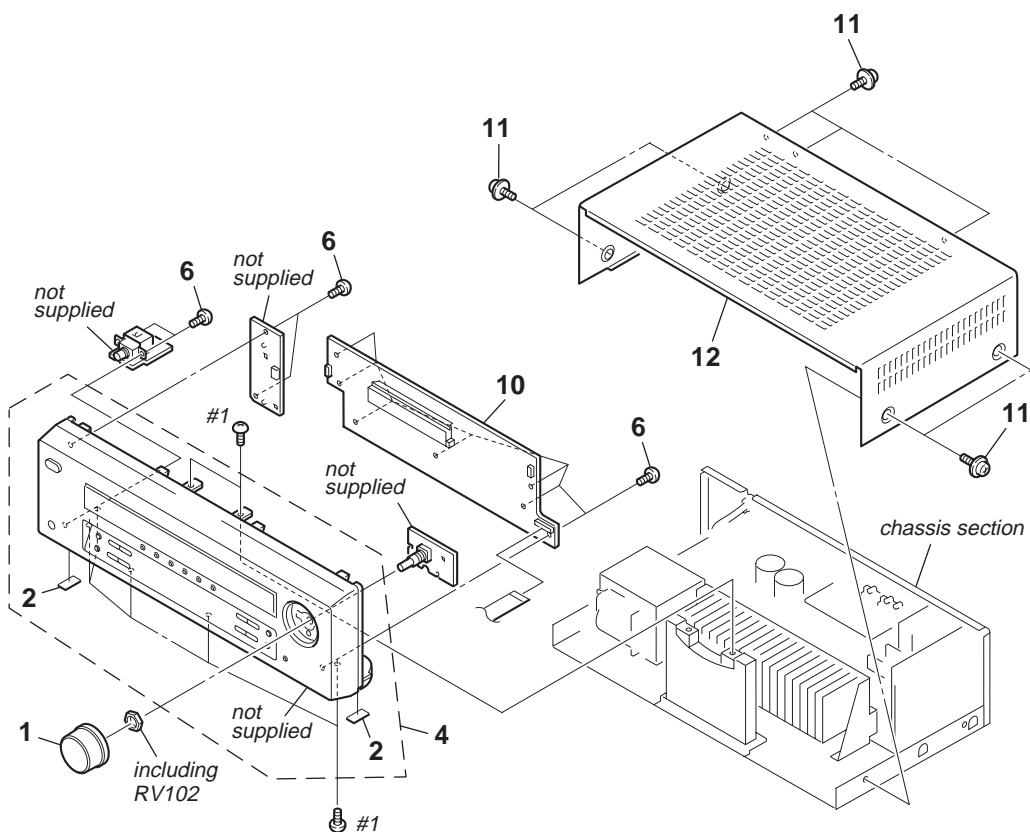
SECTION 4 EXPLODED VIEWS

NOTE:

- -XX, -X mean standardized parts, so they may have some differences from the original one.
- Items marked “*” are not stocked since they are seldom required for routine service. Some delay should be anticipated when ordering these items.
- The mechanical parts with no reference number in the exploded views are not supplied.

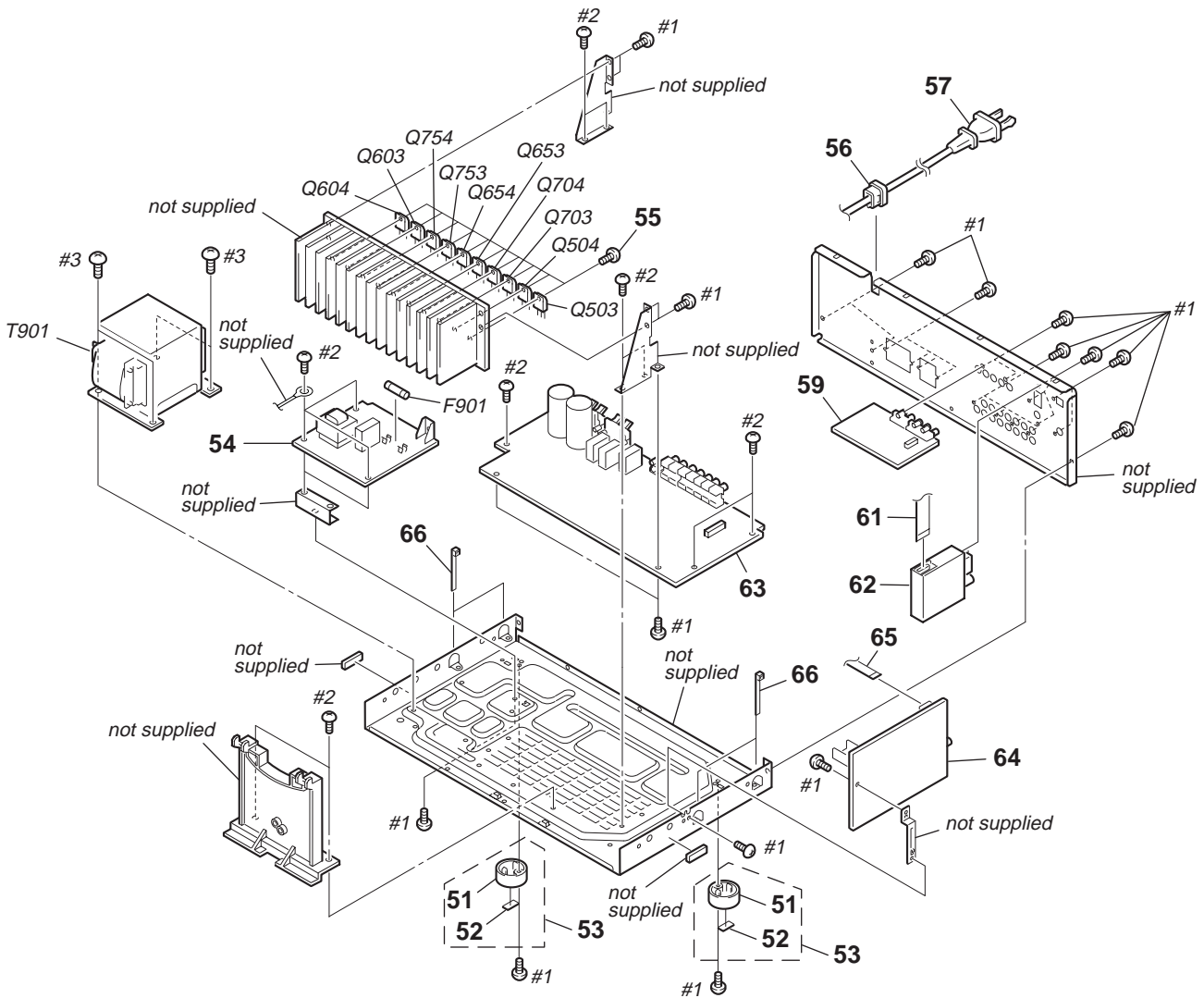
The components identified by mark Δ or dotted line with mark Δ are critical for safety. Replace only with part number specified.

4-1. Front Panel Section



| Ref. No. | Part No. | Description | Remarks | Ref. No. | Part No. | Description | Remarks |
|----------|--------------|-------------------------|---------|----------|--------------|----------------------------|---------|
| 1 | 4-232-113-12 | KNOB (VOL) | | 11 | 4-210-291-11 | SCREW (CASE 3 TP2) | |
| 2 | 4-977-358-11 | CUSHION | | 12 | 4-245-939-21 | CASE | |
| 4 | X-4955-226-1 | FRONT PANEL ASSY | | 13 | 1-920-818-91 | WIRE (FLAT TYPE)(21 CORE) | |
| 6 | 4-951-620-01 | SCREW (2.6X8), +BVTP | | #1 | 7-685-646-71 | SCREW +BVTP 3X8 TYPE2 IT-3 | |
| 10 | A-4731-297-A | DISPLAY BOARD, COMPLETE | | | | | |

4-2. Chassis Section



| Ref. No. | Part No. | Description | Remarks | Ref. No. | Part No. | Description | Remarks |
|----------|--------------|----------------------------|---------|----------|--------------|----------------------------|---------|
| 51 | 4-232-237-01 | FOOT (DIA. 30) | | Q503 | 8-749-010-25 | IC MN2488-OPY-M | |
| 52 | 4-977-358-11 | CUSHION | | Q504 | 8-749-010-26 | IC MP1620-OPY-M | |
| 53 | X-4953-448-1 | FOOT ASSY | | Q603 | 8-749-010-25 | IC MN2488-OPY-M | |
| 54 | 1-686-904-11 | STANDBY BOARD | | Q604 | 8-749-010-26 | IC MP1620-OPY-M | |
| 55 | 3-905-609-01 | SCREW (TRANSISTOR) | | Q653 | 8-749-010-25 | IC MN2488-OPY-M | |
| * 56 | 3-703-244-21 | BUSHING (2104), CORD | | Q654 | 8-749-010-26 | IC MP1620-OPY-M | |
| △ 57 | 1-783-532-11 | CORD, POWER | | Q703 | 8-749-010-25 | IC MN2488-OPY-M | |
| 59 | A-4731-175-A | VIDEO BOARD, COMPLETE | | Q704 | 8-749-010-26 | IC MP1620-OPY-M | |
| 61 | 1-769-937-11 | WIRE (FLAT TYPE) (11 CORE) | | Q753 | 8-749-010-25 | IC MN2488-OPY-M | |
| 62 | 1-693-577-22 | TUNER | | Q754 | 8-749-010-26 | IC MP1620-OPY-M | |
| 63 | A-4731-171-A | MAIN BOARD, COMPLETE | | △ T901 | 1-437-998-11 | POWER TRANSFORMER | |
| 64 | A-4731-295-A | DIGITAL BOARD, COMPLETE | | #1 | 7-685-646-71 | SCREW +BVTP 3X8 TYPE2 IT-3 | |
| 65 | 1-575-662-31 | WIRE (FLAT TYPE) (5 CORE) | | #2 | 7-685-645-71 | SCREW +BVTP 3X6 TYPE2 N-S | |
| 66 | 3-701-748-02 | CLAMP | | #3 | 7-685-880-01 | SCREW +BVTT 4X6 (S) | |
| △ F901 | 1-533-454-11 | FUSE 6.3A/125V | | | | | |

The components identified by mark △ or dotted line with mark △ are critical for safety. Replace only with part number specified.

SECTION 5 ELECTRICAL PARTS LIST

DIGITAL

NOTE:

- Due to standardization, replacements in the parts list may be different from the parts specified in the diagrams or the components used on the set.
- -XX, -X mean standardized parts, so they may have some difference from the original one.
- Items marked "*" are not stocked since they are seldom required for routine service. Some delay should be anticipated when ordering these items.
- RESISTORS
All resistors are in ohms.
METAL: metal-film resistor
METAL OXIDE: Metal Oxide-film resistor
F: nonflammable

- COILS
uH: μ H
- CAPACITORS:
uF: μ F
- SEMICONDUCTORS
In each case, u: μ , for example:
uA...: μ A..., uPA..., μ PA...,
uPB..., μ PB..., uPC..., μ PC...,
uPD..., μ PD...

When indicating parts by reference number, please include the board name.

The components identified by mark Δ or dotted line with mark Δ are critical for safety. Replace only with part number specified.

| Ref. No. | Part No. | Description | Remarks | Ref. No. | Part No. | Description | Remarks |
|----------|--------------|---|-------------|----------|--------------|-----------------------|------------|
| | A-4731-295-A | DIGITAL BOARD, COMPLETE ***** | | C1219 | 1-164-156-11 | CERAMIC CHIP 0.1uF | 25V |
| | 7-685-646-79 | SCREW +BVTP 3X8 TYPE2 IT-3 < CAPACITOR > | | C1220 | 1-162-927-11 | CERAMIC CHIP 100PF | 5% 50V |
| C1101 | 1-164-156-11 | CERAMIC CHIP 0.1uF | 25V | C1227 | 1-164-156-11 | CERAMIC CHIP 0.1uF | 25V |
| C1102 | 1-126-947-11 | ELECT 47uF | 20.00% 16V | C1229 | 1-164-156-11 | CERAMIC CHIP 0.1uF | 25V |
| C1103 | 1-164-156-11 | CERAMIC CHIP 0.1uF | 25V | C1230 | 1-164-156-11 | CERAMIC CHIP 0.1uF | 25V |
| C1104 | 1-162-974-11 | CERAMIC CHIP 0.01uF | 50V | | | | |
| C1105 | 1-126-947-11 | ELECT 47uF | 20.00% 16V | C1231 | 1-164-156-11 | CERAMIC CHIP 0.1uF | 25V |
| C1106 | 1-164-156-11 | CERAMIC CHIP 0.1uF | 25V | C1309 | 1-164-156-11 | CERAMIC CHIP 0.1uF | 25V |
| C1107 | 1-162-974-11 | CERAMIC CHIP 0.01uF | 50V | C1310 | 1-164-156-11 | CERAMIC CHIP 0.1uF | 25V |
| C1108 | 1-164-156-11 | CERAMIC CHIP 0.1uF | 25V | C1311 | 1-164-156-11 | CERAMIC CHIP 0.1uF | 25V |
| C1109 | 1-162-918-11 | CERAMIC CHIP 18PF | 5.00% 50V | C1312 | 1-164-156-11 | CERAMIC CHIP 0.1uF | 25V |
| C1110 | 1-162-918-11 | CERAMIC CHIP 18PF | 5.00% 50V | | | | |
| C1111 | 1-164-156-11 | CERAMIC CHIP 0.1uF | 25V | C1501 | 1-162-965-11 | CERAMIC CHIP 0.0015uF | 10% 50V |
| C1112 | 1-162-974-11 | CERAMIC CHIP 0.01uF | 50V | C1502 | 1-128-131-11 | ELECT 22uF | 20.00% 50V |
| C1113 | 1-164-156-11 | CERAMIC CHIP 0.1uF | 25V | C1503 | 1-164-156-11 | CERAMIC CHIP 0.1uF | 25V |
| C1114 | 1-162-905-11 | CERAMIC CHIP 1PF | 0.25PF 50V | C1504 | 1-126-964-11 | ELECT 10uF | 20.00% 50V |
| C1115 | 1-162-923-11 | CERAMIC CHIP 47PF | 5% 50V | C1505 | 1-164-156-11 | CERAMIC CHIP 0.1uF | 25V |
| C1116 | 1-126-916-11 | ELECT 1000uF | 20.00% 6.3V | | | | |
| C1117 | 1-164-156-11 | CERAMIC CHIP 0.1uF | 25V | C1506 | 1-126-935-11 | ELECT 470uF | 20.00% 16V |
| C1118 | 1-115-416-11 | CERAMIC CHIP 0.001uF | 5.00% 25V | C1507 | 1-126-964-11 | ELECT 10uF | 20.00% 50V |
| C1119 | 1-126-965-91 | ELECT 22uF | 20.00% 50V | C1508 | 1-164-156-11 | CERAMIC CHIP 0.1uF | 25V |
| C1121 | 1-164-156-11 | CERAMIC CHIP 0.1uF | 25V | C1509 | 1-164-156-11 | CERAMIC CHIP 0.1uF | 25V |
| C1124 | 1-164-156-11 | CERAMIC CHIP 0.1uF | 25V | C1510 | 1-126-947-11 | ELECT 47uF | 20.00% 16V |
| C1129 | 1-115-416-11 | CERAMIC CHIP 0.001uF | 5.00% 25V | | | | |
| C1130 | 1-164-156-11 | CERAMIC CHIP 0.1uF | 25V | C1511 | 1-164-156-11 | CERAMIC CHIP 0.1uF | 25V |
| C1131 | 1-162-927-11 | CERAMIC CHIP 100PF | 5% 50V | C1512 | 1-162-995-11 | CERAMIC CHIP 0.022uF | 50V |
| C1201 | 1-164-156-11 | CERAMIC CHIP 0.1uF | 25V | C1513 | 1-164-156-11 | CERAMIC CHIP 0.1uF | 25V |
| C1202 | 1-164-156-11 | CERAMIC CHIP 0.1uF | 25V | C1514 | 1-164-156-11 | CERAMIC CHIP 0.1uF | 25V |
| C1203 | 1-164-156-11 | CERAMIC CHIP 0.1uF | 25V | C1515 | 1-126-935-11 | ELECT 470uF | 20.00% 10V |
| C1204 | 1-164-156-11 | CERAMIC CHIP 0.1uF | 25V | | | | |
| C1205 | 1-164-156-11 | CERAMIC CHIP 0.1uF | 25V | C1516 | 1-162-967-11 | CERAMIC CHIP 0.0033uF | 10% 50V |
| C1206 | 1-164-156-11 | CERAMIC CHIP 0.1uF | 25V | C1517 | 1-162-967-11 | CERAMIC CHIP 0.0033uF | 10% 50V |
| C1207 | 1-164-156-11 | CERAMIC CHIP 0.1uF | 25V | C1518 | 1-162-967-11 | CERAMIC CHIP 0.0033uF | 10% 50V |
| C1208 | 1-164-156-11 | CERAMIC CHIP 0.1uF | 25V | C1519 | 1-162-967-11 | CERAMIC CHIP 0.0033uF | 10% 50V |
| C1209 | 1-164-156-11 | CERAMIC CHIP 0.1uF | 25V | C1520 | 1-162-967-11 | CERAMIC CHIP 0.0033uF | 10% 50V |
| C1210 | 1-164-156-11 | CERAMIC CHIP 0.1uF | 25V | | | | |
| C1211 | 1-126-935-11 | ELECT 470uF | 20.00% 10V | C1521 | 1-162-967-11 | CERAMIC CHIP 0.0033uF | 10% 50V |
| C1212 | 1-126-935-11 | ELECT 470uF | 20.00% 10V | C1551 | 1-162-965-11 | CERAMIC CHIP 0.0015uF | 10% 50V |
| C1213 | 1-164-156-11 | CERAMIC CHIP 0.1uF | 25V | C1552 | 1-128-131-11 | ELECT 22uF | 20.00% 50V |
| C1214 | 1-164-156-11 | CERAMIC CHIP 0.1uF | 25V | C1601 | 1-164-156-11 | CERAMIC CHIP 0.1uF | 25V |
| C1216 | 1-162-927-11 | CERAMIC CHIP 100PF | 5% 50V | C1602 | 1-164-156-11 | CERAMIC CHIP 0.1uF | 25V |
| C1218 | 1-162-927-11 | CERAMIC CHIP 100PF | 5% 50V | | | | |
| | | | | C1603 | 1-164-156-11 | CERAMIC CHIP 0.1uF | 25V |
| | | | | C1604 | 1-164-156-11 | CERAMIC CHIP 0.1uF | 25V |
| | | | | C1605 | 1-164-156-11 | CERAMIC CHIP 0.1uF | 25V |
| | | | | C1606 | 1-126-947-11 | ELECT 47uF | 20.00% 16V |
| | | | | C1607 | 1-164-156-11 | CERAMIC CHIP 0.1uF | 25V |
| | | | | | | | |
| | | | | C1610 | 1-162-974-11 | CERAMIC CHIP 0.01uF | 50V |
| | | | | C1611 | 1-162-974-11 | CERAMIC CHIP 0.01uF | 50V |
| | | | | C1612 | 1-164-156-11 | CERAMIC CHIP 0.1uF | 25V |
| | | | | C1613 | 1-162-995-11 | CERAMIC CHIP 0.022uF | 50V |
| | | | | C1614 | 1-162-995-11 | CERAMIC CHIP 0.022uF | 50V |

DIGITAL

| Ref. No. | Part No. | Description | Remarks |
|------------------|--------------|--------------------------------|------------|
| C1615 | 1-162-995-11 | CERAMIC CHIP 0.022uF | 50V |
| C1616 | 1-162-995-11 | CERAMIC CHIP 0.022uF | 50V |
| C1617 | 1-162-974-11 | CERAMIC CHIP 0.01uF | 50V |
| C1618 | 1-164-156-11 | CERAMIC CHIP 0.1uF | 25V |
| C1619 | 1-164-156-11 | CERAMIC CHIP 0.1uF | 25V |
| C1620 | 1-164-156-11 | CERAMIC CHIP 0.1uF | 25V |
| C1624 | 1-164-156-11 | CERAMIC CHIP 0.1uF | 25V |
| C1625 | 1-164-156-11 | CERAMIC CHIP 0.1uF | 25V |
| C1626 | 1-164-156-11 | CERAMIC CHIP 0.1uF | 25V |
| C1627 | 1-126-964-11 | ELECT 10uF | 20.00% 50V |
| C1632 | 1-164-156-11 | CERAMIC CHIP 0.1uF | 25V |
| C1634 | 1-164-156-11 | CERAMIC CHIP 0.1uF | 25V |
| C1635 | 1-164-156-11 | CERAMIC CHIP 0.1uF | 25V |
| C1671 | 1-164-156-11 | CERAMIC CHIP 0.1uF | 25V |
| C1905 | 1-164-156-11 | CERAMIC CHIP 0.1uF | 25V |
| C1906 | 1-126-935-11 | ELECT 470uF | 20.00% 16V |
| C1908 | 1-126-935-11 | ELECT 470uF | 20.00% 16V |
| C1909 | 1-164-156-11 | CERAMIC CHIP 0.1uF | 25V |
| C1910 | 1-126-935-11 | ELECT 470uF | 20.00% 16V |
| C1911 | 1-164-156-11 | CERAMIC CHIP 0.1uF | 25V |
| C1912 | 1-126-935-11 | ELECT 470uF | 20.00% 16V |
| C1913 | 1-164-156-11 | CERAMIC CHIP 0.1uF | 25V |
| C1914 | 1-126-947-11 | ELECT 47uF | 20.00% 16V |
| < CONNECTOR > | | | |
| CNP5 | 1-779-978-11 | PIN, CONNECTOR 3P | |
| CNP6 | 1-784-929-11 | PIN, CONNECTOR 14P | |
| < CONNECTOR > | | | |
| CNS1 | 1-764-865-41 | CONNECTOR, BOARD TO BOARD 13P | |
| CNS2 | 1-784-041-41 | CONNECTOR, BOARD TO BOARD 9P | |
| CNS3 | 1-784-923-11 | PIN, CONNECTOR 7P | |
| CNS4 | 1-569-309-11 | SOCKET, CONNECTOR (L TYRE) 21P | |
| CNS7 | 1-569-060-11 | SOCKET, CONNECTOR 11P | |
| CNS8 | 1-569-315-11 | SOCKET, CONNECTOR 5P | |
| < DIODE > | | | |
| D1001 | 8-719-016-74 | DIODE 1SS352-TPH3 | |
| D1101 | 8-719-016-74 | DIODE 1SS352-TPH3 | |
| D1501 | 8-719-049-09 | DIODE 1SS367-T3SONY | |
| D1502 | 8-719-049-09 | DIODE 1SS367-T3SONY | |
| D1601 | 8-719-016-74 | DIODE 1SS352-TPH3 | |
| < FERRITE BEAD > | | | |
| FB1101 | 1-414-813-11 | FERRITE 0uH | |
| FB1102 | 1-414-813-11 | FERRITE 0uH | |
| FB1104 | 1-469-152-11 | FERRITE 0uH | |
| FB1105 | 1-469-152-11 | FERRITE 0uH | |
| FB1201 | 1-414-813-11 | FERRITE 0uH | |
| FB1202 | 1-414-813-11 | FERRITE 0uH | |
| FB1203 | 1-469-152-11 | FERRITE 0uH | |
| FB1204 | 1-469-152-11 | FERRITE 0uH | |
| FB1501 | 1-414-813-11 | FERRITE 0uH | |
| FB1502 | 1-414-813-11 | FERRITE 0uH | |
| FB1601 | 1-414-813-11 | FERRITE 0uH | |
| FB1602 | 1-216-864-11 | METAL CHIP 0 | 5% 1/10W |
| FB1603 | 1-216-864-11 | METAL CHIP 0 | 5% 1/10W |

| Ref. No. | Part No. | Description | Remarks |
|---------------------|--------------|-----------------------------|----------|
| < IC > | | | |
| IC1101 | 8-759-825-15 | IC LC89056W-E | |
| IC1102 | 8-759-242-70 | IC TC7WU04F(TE12R) | |
| IC1105 | 6-600-014-01 | IC TORX141L(VIDEO2 IN) | |
| IC1201 | 8-759-698-76 | IC CXD9617R | |
| IC1202 | 8-759-538-16 | IC IS61LV6416-10TT(ISSI) | |
| IC1501 | 6-703-705-01 | IC AK4527B | |
| IC1502 | 8-759-710-97 | IC NJM4565M(TE2) | |
| IC1503 | 8-759-231-53 | IC M5F7805L | |
| IC1552 | 8-759-710-97 | IC NJM4565M(TE2) | |
| IC1601 | 6-802-541-01 | IC MB9047BPF-G-138-BND | |
| IC1602 | 6-702-913-01 | IC S-80929CNMC-G8Z-T2 | |
| IC1604 | 8-759-641-86 | IC BR24C16F-E2 | |
| IC1901 | 6-701-887-02 | IC SI-3004KWF | |
| IC1902 | 8-759-231-57 | IC TA7810S | |
| IC1903 | 8-759-390-42 | IC uPC24M05AHF | |
| IC1904 | 8-759-445-59 | IC BA033T | |
| < JACK > | | | |
| J1101 | 1-778-228-11 | JACK, PIN 1P (DVD IN) | |
| < JUMPER RESISTOR > | | | |
| JR1115 | 1-216-864-11 | METAL CHIP 0 | 5% 1/10W |
| JR1116 | 1-216-864-11 | METAL CHIP 0 | 5% 1/10W |
| JR1121 | 1-216-864-11 | METAL CHIP 0 | 5% 1/10W |
| JR1122 | 1-216-864-11 | METAL CHIP 0 | 5% 1/10W |
| < COIL > | | | |
| L1901 | 1-216-864-11 | METAL CHIP 0 | 5% 1/10W |
| < TRANSISTOR > | | | |
| Q1601 | 8-729-027-43 | TRANSISTOR RT1N141C-TP-1 | |
| Q1602 | 8-729-230-49 | TRANSISTOR 2SC2712-YG-TE85L | |
| < RESISTOR > | | | |
| R1100 | 1-216-857-11 | METAL CHIP 1M | 5% 1/10W |
| R1101 | 1-216-833-11 | METAL CHIP 10K | 5% 1/10W |
| R1102 | 1-216-833-11 | METAL CHIP 10K | 5% 1/10W |
| R1103 | 1-216-809-11 | METAL CHIP 100 | 5% 1/10W |
| R1104 | 1-216-809-11 | METAL CHIP 100 | 5% 1/10W |
| R1105 | 1-216-829-11 | METAL CHIP 4.7K | 5% 1/10W |
| R1106 | 1-216-839-11 | METAL CHIP 33K | 5% 1/10W |
| R1107 | 1-216-830-11 | METAL CHIP 5.6K | 5% 1/10W |
| R1108 | 1-216-809-11 | METAL CHIP 100 | 5% 1/10W |
| R1109 | 1-216-809-11 | METAL CHIP 100 | 5% 1/10W |
| R1110 | 1-216-821-11 | METAL CHIP 1K | 5% 1/10W |
| R1111 | 1-216-821-11 | METAL CHIP 1K | 5% 1/10W |
| R1112 | 1-216-809-11 | METAL CHIP 100 | 5% 1/10W |
| R1113 | 1-216-821-11 | METAL CHIP 1K | 5% 1/10W |
| R1114 | 1-216-809-11 | METAL CHIP 100 | 5% 1/10W |
| R1115 | 1-216-833-11 | METAL CHIP 10K | 5% 1/10W |
| R1116 | 1-218-285-11 | METAL CHIP 75 | 5% 1/10W |
| R1117 | 1-216-821-11 | METAL CHIP 1K | 5% 1/10W |
| R1118 | 1-216-854-11 | METAL CHIP 560K | 5% 1/10W |
| R1119 | 1-216-837-11 | METAL CHIP 22K | 5% 1/10W |

STR-K751P

DIGITAL

DISPLAY

| Ref. No. | Part No. | Description | Remarks |
|----------------|----------------------------------|-----------------------------|-----------------|
| R1657 | 1-216-833-11 | METAL CHIP | 10K 5% 1/10W |
| R1658 | 1-216-809-11 | METAL CHIP | 100 5% 1/10W |
| R1659 | 1-216-833-11 | METAL CHIP | 10K 5% 1/10W |
| R1660 | 1-216-833-11 | METAL CHIP | 10K 5% 1/10W |
| R1662 | 1-216-827-11 | METAL CHIP | 3.3K 5% 1/10W |
| R1663 | 1-216-827-11 | METAL CHIP | 3.3K 5% 1/10W |
| R1664 | 1-216-809-11 | METAL CHIP | 100 5% 1/10W |
| R1665 | 1-216-809-11 | METAL CHIP | 100 5% 1/10W |
| R1667 | 1-216-821-11 | METAL CHIP | 1K 5% 1/10W |
| R1668 | 1-216-833-11 | METAL CHIP | 10K 5% 1/10W |
| R1669 | 1-216-833-11 | METAL CHIP | 10K 5% 1/10W |
| R1670 | 1-216-833-11 | METAL CHIP | 10K 5% 1/10W |
| R1671 | 1-216-829-11 | METAL CHIP | 4.7K 5% 1/10W |
| R1672 | 1-216-841-11 | METAL CHIP | 47K 5% 1/10W |
| R1673 | 1-216-809-11 | METAL CHIP | 100 5% 1/10W |
| R1674 | 1-216-809-11 | METAL CHIP | 100 5% 1/10W |
| R1676 | 1-216-821-11 | METAL CHIP | 1K 5% 1/10W |
| R1677 | 1-216-821-11 | METAL CHIP | 1K 5% 1/10W |
| R1678 | 1-216-821-11 | METAL CHIP | 1K 5% 1/10W |
| R1679 | 1-216-821-11 | METAL CHIP | 1K 5% 1/10W |
| R1681 | 1-216-833-11 | METAL CHIP | 10K 5% 1/10W |
| R1682 | 1-216-845-11 | METAL CHIP | 100K 5% 1/10W |
| R1683 | 1-216-833-11 | METAL CHIP | 10K 5% 1/10W |
| R1684 | 1-216-833-11 | METAL CHIP | 10K 5% 1/10W |
| R1685 | 1-216-833-11 | METAL CHIP | 10K 5% 1/10W |
| R1686 | 1-216-833-11 | METAL CHIP | 10K 5% 1/10W |
| R1687 | 1-216-833-11 | METAL CHIP | 10K 5% 1/10W |
| R1688 | 1-216-864-11 | METAL CHIP | 0 5% 1/10W |
| R1689 | 1-216-833-11 | METAL CHIP | 10K 5% 1/10W |
| R1690 | 1-216-833-11 | METAL CHIP | 10K 5% 1/10W |
| R1694 | 1-216-821-11 | METAL CHIP | 1K 5% 1/10W |
| R1698 | 1-216-829-11 | METAL CHIP | 4.7K 5% 1/10W |
| R1699 | 1-216-829-11 | METAL CHIP | 4.7K 5% 1/10W |
| R1703 | 1-216-833-11 | METAL CHIP | 10K 5% 1/10W |
| R1704 | 1-216-833-11 | METAL CHIP | 10K 5% 1/10W |
| R1706 | 1-216-833-11 | METAL CHIP | 10K 5% 1/10W |
| R1707 | 1-216-833-11 | METAL CHIP | 10K 5% 1/10W |
| R1708 | 1-216-833-11 | METAL CHIP | 10K 5% 1/10W |
| R1709 | 1-216-833-11 | METAL CHIP | 10K 5% 1/10W |
| < VIBRATOR > | | | |
| X1101 | 1-781-465-21 | VIBRATOR, CRYSTAL 12.288MHz | |
| X1201 | 1-795-297-21 | VIBRATOR, CERAMIC 13.59MHz | |
| X1601 | 1-781-356-21 | VIBRATOR, CERAMIC 16MHz | |
| ***** | | | |
| A-4731-297-A | DISPLAY BOARD, COMPLETE ***** | | |
| * 3-386-245-13 | HOLDER (FL) | | |
| * 4-921-941-01 | CUSHION (FL) | | |
| < CAPACITOR > | | | |
| C100 | 1-164-159-11 | CERAMIC | 0.1uF 50V |
| C101 | 1-164-159-11 | CERAMIC | 0.1uF 50V |
| C105 | 1-126-795-11 | ELECT | 10uF 20.00% 50V |
| C108 | 1-164-159-11 | CERAMIC | 0.1uF 50V |
| C109 | 1-164-159-11 | CERAMIC | 0.1uF 50V |
| C110 | 1-128-821-11 | CERAMIC | 1000PF 5% 50V |
| C111 | 1-128-813-11 | CERAMIC | 220PF 5% 50V |

| Ref. No. | Part No. | Description | Remarks |
|--------------------------------|--------------|------------------------------|-----------------|
| C112 | 1-128-813-11 | CERAMIC | 220PF 5% 50V |
| C114 | 1-164-159-11 | CERAMIC | 0.1uF 50V |
| C115 | 1-126-795-11 | ELECT | 10uF 20.00% 50V |
| C132 | 1-128-813-11 | CERAMIC | 220PF 5% 50V |
| C133 | 1-128-813-11 | CERAMIC | 220PF 5% 50V |
| C134 | 1-128-813-11 | CERAMIC | 220PF 5% 50V |
| C135 | 1-128-813-11 | CERAMIC | 220PF 5% 50V |
| C136 | 1-128-813-11 | CERAMIC | 220PF 5% 50V |
| C137 | 1-128-813-11 | CERAMIC | 220PF 5% 50V |
| C138 | 1-128-813-11 | CERAMIC | 220PF 5% 50V |
| C139 | 1-128-813-11 | CERAMIC | 220PF 5% 50V |
| C140 | 1-128-813-11 | CERAMIC | 220PF 5% 50V |
| C141 | 1-128-813-11 | CERAMIC | 220PF 5% 50V |
| C142 | 1-128-813-11 | CERAMIC | 220PF 5% 50V |
| C143 | 1-128-813-11 | CERAMIC | 220PF 5% 50V |
| C144 | 1-164-159-11 | CERAMIC | 0.1uF 50V |
| C150 | 1-164-159-11 | CERAMIC | 0.1uF 50V |
| C151 | 1-126-795-11 | ELECT | 10uF 20.00% 50V |
| C152 | 1-128-813-11 | CERAMIC | 220PF 5% 50V |
| C153 | 1-128-813-11 | CERAMIC | 220PF 5% 50V |
| C154 | 1-128-813-11 | CERAMIC | 220PF 5% 50V |
| C155 | 1-164-159-11 | CERAMIC | 0.1uF 50V |
| C156 | 1-164-159-11 | CERAMIC | 0.1uF 50V |
| C157 | 1-164-159-11 | CERAMIC | 0.1uF 50V |
| < CONNECTOR SOCKET > | | | |
| CNS100 | 1-569-324-11 | SOCKET, CONNECTOR 21P | |
| < DIODE > | | | |
| D102 | 8-719-046-39 | DIODE SEL5821A-TP15 (MUSIC) | |
| D103 | 8-719-046-39 | DIODE SEL5821A-TP15 (MOVIE) | |
| D104 | 8-719-046-39 | DIODE SEL5821A-TP15 (A.F.D.) | |
| D105 | 8-719-046-39 | DIODE SEL5821A-TP15 (2CH) | |
| < FLUORESCENT INDICATOR TUBE > | | | |
| FL101 | 1-518-831-11 | INDICATOR TUBE, FLUORESCENT | |
| < IC > | | | |
| IC100 | 8-759-643-83 | IC uPD16315GB-3BS | |
| IC101 | 8-759-036-90 | IC MC74ACT08N | |
| IC102 | 6-600-055-01 | IC GP1UD27SXK (国) | |
| < COIL > | | | |
| L101 | 1-412-473-21 | INDUCTOR | 0uH |
| L102 | 1-410-525-11 | INDUCTOR | 220uH |
| L103 | 1-410-525-11 | INDUCTOR | 220uH |
| < RESISTOR > | | | |
| R101 | 1-249-417-11 | CARBON | 1K 5% 1/4W F |
| R102 | 1-249-421-11 | CARBON | 2.2K 5% 1/4W F |
| R103 | 1-249-421-11 | CARBON | 2.2K 5% 1/4W F |
| R104 | 1-249-425-11 | CARBON | 4.7K 5% 1/4W F |
| R105 | 1-249-429-11 | CARBON | 10K 5% 1/4W |
| R106 | 1-249-433-11 | CARBON | 22K 5% 1/4W |
| R111 | 1-249-417-11 | CARBON | 1K 5% 1/4W F |
| R112 | 1-249-421-11 | CARBON | 2.2K 5% 1/4W F |
| R113 | 1-249-421-11 | CARBON | 2.2K 5% 1/4W F |
| R114 | 1-249-425-11 | CARBON | 4.7K 5% 1/4W F |

DISPLAY

HEADPHONE

MAIN

| Ref. No. | Part No. | Description | Remarks | Ref. No. | Part No. | Description | Remarks |
|----------|--------------|-----------------------------------|---------|----------|----------|--------------|----------------------------|
| R115 | 1-249-429-11 | CARBON | 10K 5% | 1/4W | | < JACK > | |
| R118 | 1-249-433-11 | CARBON | 22K 5% | 1/4W | | | |
| R121 | 1-249-417-11 | CARBON | 1K 5% | 1/4W F | J791 | 1-815-314-21 | JACK (PHONES) |
| R122 | 1-249-421-11 | CARBON | 2.2K 5% | 1/4W F | ***** | | |
| R123 | 1-249-421-11 | CARBON | 2.2K 5% | 1/4W F | | A-4731-171-A | MAIN BOARD, COMPLETE |
| | | | | | | ***** | |
| R124 | 1-249-425-11 | CARBON | 4.7K 5% | 1/4W F | | 7-685-646-79 | SCREW +BVTP 3X8 TYPE2 IT-3 |
| R125 | 1-249-429-11 | CARBON | 10K 5% | 1/4W | | | |
| R131 | 1-249-417-11 | CARBON | 1K 5% | 1/4W F | | | |
| R132 | 1-249-421-11 | CARBON | 2.2K 5% | 1/4W F | | | |
| R133 | 1-249-421-11 | CARBON | 2.2K 5% | 1/4W F | | | |
| | | | | | | | < CAPACITOR > |
| R134 | 1-249-425-11 | CARBON | 4.7K 5% | 1/4W F | C371 | 1-127-880-11 | CERAMIC 0.022uF 10% 50V |
| R135 | 1-249-429-11 | CARBON | 10K 5% | 1/4W | C372 | 1-127-880-11 | CERAMIC 0.022uF 10% 50V |
| R136 | 1-249-433-11 | CARBON | 22K 5% | 1/4W | C373 | 1-127-880-11 | CERAMIC 0.022uF 10% 50V |
| R150 | 1-249-440-11 | CARBON | 82K 5% | 1/4W | C374 | 1-164-159-11 | CERAMIC 0.1uF 50V |
| R153 | 1-247-807-31 | CARBON | 100 5% | 1/4W | C375 | 1-127-880-11 | CERAMIC 0.022uF 10% 50V |
| △ R154 | 1-249-393-11 | CARBON | 10 5% | 1/4W F | C376 | 1-127-880-11 | CERAMIC 0.022uF 10% 50V |
| R155 | 1-249-441-11 | CARBON | 100K 5% | 1/4W | C400 | 1-164-159-11 | CERAMIC 0.1uF 50V |
| R161 | 1-249-409-11 | CARBON | 220 5% | 1/4W F | C402 | 1-126-961-11 | ELECT 2.2uF 20.00% 50V |
| △ R175 | 1-249-393-11 | CARBON | 10 5% | 1/4W F | C404 | 1-126-961-11 | ELECT 2.2uF 20.00% 50V |
| △ R198 | 1-249-381-11 | CARBON | 1 5% | 1/4W F | C405 | 1-126-961-11 | ELECT 2.2uF 20.00% 50V |
| △ R199 | 1-249-381-11 | CARBON | 1 5% | 1/4W F | C406 | 1-126-961-11 | ELECT 2.2uF 20.00% 50V |
| | | | | | C407 | 1-126-961-11 | ELECT 2.2uF 20.00% 50V |
| | | | | | C408 | 1-126-961-11 | ELECT 2.2uF 20.00% 50V |
| | | | | | C409 | 1-126-963-11 | ELECT 4.7uF 20.00% 50V |
| | | | | | C413 | 1-124-257-00 | ELECT 2.2uF 20% 50V |
| S100 | 1-771-410-21 | SWITCH, TACTILE (MENU <) | | | C414 | 1-124-257-00 | ELECT 2.2uF 20% 50V |
| S101 | 1-771-410-21 | SWITCH, TACTILE (MENU >) | | | C415 | 1-124-257-00 | ELECT 2.2uF 20% 50V |
| S102 | 1-771-410-21 | SWITCH, TACTILE (MAIN MENU) | | | C416 | 1-126-961-11 | ELECT 2.2uF 20.00% 50V |
| S103 | 1-771-410-21 | SWITCH, TACTILE (ENTER) | | | C417 | 1-124-257-00 | ELECT 2.2uF 20% 50V |
| S104 | 1-771-410-21 | SWITCH, TACTILE (INPUT MODE) | | | C418 | 1-126-961-11 | ELECT 2.2uF 20.00% 50V |
| S105 | 1-771-410-21 | SWITCH, TACTILE (MENU -) | | | C419 | 1-124-257-00 | ELECT 2.2uF 20% 50V |
| S106 | 1-771-410-21 | SWITCH, TACTILE (MENU +) | | | C433 | 1-126-961-11 | ELECT 2.2uF 20.00% 50V |
| S110 | 1-771-410-21 | SWITCH, TACTILE (TUNER FM/AM) | | | C452 | 1-126-961-11 | ELECT 2.2uF 20.00% 50V |
| S111 | 1-771-410-21 | SWITCH, TACTILE (CD) | | | C454 | 1-126-961-11 | ELECT 2.2uF 20.00% 50V |
| S112 | 1-771-410-21 | SWITCH, TACTILE (MD/TAPE) | | | C455 | 1-126-961-11 | ELECT 2.2uF 20.00% 50V |
| S113 | 1-771-410-21 | SWITCH, TACTILE (DVD) | | | C456 | 1-126-961-11 | ELECT 2.2uF 20.00% 50V |
| S114 | 1-771-410-21 | SWITCH, TACTILE (MOVIE) | | | C457 | 1-126-961-11 | ELECT 2.2uF 20.00% 50V |
| S115 | 1-771-410-21 | SWITCH, TACTILE (MUSIC) | | | C458 | 1-126-961-11 | ELECT 2.2uF 20.00% 50V |
| S120 | 1-771-410-21 | SWITCH, TACTILE (A.F.D.) | | | C459 | 1-126-963-11 | ELECT 4.7uF 20.00% 50V |
| S121 | 1-771-410-21 | SWITCH, TACTILE (TUNING -) | | | C464 | 1-164-159-11 | CERAMIC 0.1uF 50V |
| S122 | 1-771-410-21 | SWITCH, TACTILE (FM MODE) | | | C465 | 1-126-934-11 | ELECT 220uF 20.00% 16V |
| S123 | 1-771-410-21 | SWITCH, TACTILE (TUNING +) | | | C466 | 1-126-934-11 | ELECT 220uF 20.00% 16V |
| S124 | 1-771-410-21 | SWITCH, TACTILE (2CH) | | | C467 | 1-164-159-11 | CERAMIC 0.1uF 50V |
| S125 | 1-771-410-21 | SWITCH, TACTILE (PRESET TUNING +) | | | C471 | 1-126-963-11 | ELECT 4.7uF 20.00% 50V |
| S130 | 1-771-410-21 | SWITCH, TACTILE (VIDEO 2) | | | C472 | 1-126-963-11 | ELECT 4.7uF 20.00% 50V |
| S131 | 1-771-410-21 | SWITCH, TACTILE (VIDEO 1) | | | C481 | 1-126-963-11 | ELECT 4.7uF 20.00% 50V |
| S132 | 1-771-410-21 | SWITCH, TACTILE (PRESET TUNING -) | | | C482 | 1-126-963-11 | ELECT 4.7uF 20.00% 50V |
| S133 | 1-771-410-21 | SWITCH, TACTILE (MEMORY) | | | C483 | 1-126-963-11 | ELECT 4.7uF 20.00% 50V |
| S134 | 1-771-410-21 | SWITCH, TACTILE (DISPLAY) | | | C484 | 1-126-963-11 | ELECT 4.7uF 20.00% 50V |
| S135 | 1-771-410-21 | SWITCH, TACTILE (DIMMER) | | | C485 | 1-126-963-11 | ELECT 4.7uF 20.00% 50V |
| ***** | | | | | | | |
| | | HEADPHONE BOARD | | | | | |
| | | ***** | | | | | |
| | | < CAPACITOR > | | | | | |
| C790 | 1-164-159-11 | CERAMIC | 0.1uF | 50V | C486 | 1-126-963-11 | ELECT 4.7uF 20.00% 50V |
| C792 | 1-164-159-11 | CERAMIC | 0.1uF | 50V | C487 | 1-126-964-11 | ELECT 10uF 20.00% 50V |
| | | | | | C488 | 1-164-159-11 | CERAMIC 0.1uF 50V |
| | | | | | C489 | 1-128-809-11 | CERAMIC 100PF 5% 50V |
| | | | | | C490 | 1-128-809-11 | CERAMIC 100PF 5% 50V |
| | | | | | C491 | 1-126-963-11 | ELECT 4.7uF 20.00% 50V |
| | | | | | C492 | 1-126-963-11 | ELECT 4.7uF 20.00% 50V |
| CNP791 | 1-691-767-11 | PLUG (MICRO CONNECTOR) 5P | | | | | |

The components identified by mark △ or dotted line with mark △ are critical for safety.
Replace only with part number specified.

MAIN

| Ref. No. | Part No. | Description | Remarks | | | Ref. No. | Part No. | Description | Remarks | | |
|----------|--------------|-------------|---------|--------|------|----------|--------------|--------------------------------|---------|--------|------|
| C493 | 1-126-963-11 | ELECT | 4.7uF | 20.00% | 50V | C732 | 1-128-582-11 | ELECT | 10uF | 20.00% | 100V |
| C494 | 1-126-963-11 | ELECT | 4.7uF | 20.00% | 50V | C733 | 1-128-582-11 | ELECT | 10uF | 20.00% | 100V |
| C495 | 1-126-963-11 | ELECT | 4.7uF | 20.00% | 50V | C740 | 1-126-964-11 | ELECT | 10uF | 20.00% | 50V |
| C496 | 1-126-963-11 | ELECT | 4.7uF | 20.00% | 50V | C741 | 1-128-579-11 | ELECT | 2.2uF | 20.00% | 100V |
| C497 | 1-128-809-11 | CERAMIC | 100PF | 5% | 50V | C742 | 1-127-876-11 | CERAMIC | 0.01uF | 10% | 50V |
| C498 | 1-128-803-11 | CERAMIC | 33PF | 5% | 50V | C750 | 1-126-964-11 | ELECT | 10uF | 20.00% | 50V |
| C501 | 1-126-963-11 | ELECT | 4.7uF | 20.00% | 50V | C751 | 1-126-963-11 | ELECT | 4.7uF | 20.00% | 50V |
| C503 | 1-104-665-11 | ELECT | 100uF | 20.00% | 10V | C752 | 1-127-876-11 | CERAMIC | 0.01uF | 10% | 50V |
| C504 | 1-107-583-11 | CERAMIC | 3PF | 0.25PF | 500V | C753 | 1-104-665-11 | ELECT | 100uF | 20.00% | 10V |
| C505 | 1-106-359-00 | MYLAR | 4700PF | 5% | 200V | C754 | 1-107-583-11 | CERAMIC | 3PF | 0.25PF | 500V |
| C506 | 1-102-233-00 | CERAMIC | 33PF | 10.00% | 500V | C755 | 1-102-233-00 | CERAMIC | 33PF | 10.00% | 500V |
| C507 | 1-128-809-11 | CERAMIC | 100PF | 5% | 50V | C756 | 1-128-813-11 | CERAMIC | 220PF | 5% | 50V |
| C510 | 1-126-947-11 | ELECT | 47uF | 20.00% | 25V | C757 | 1-128-809-11 | CERAMIC | 100PF | 5% | 50V |
| C511 | 1-136-157-00 | FILM | 0.022uF | 5.00% | 50V | C760 | 1-126-947-11 | ELECT | 47uF | 20.00% | 25V |
| C516 | 1-162-815-11 | CERAMIC | 47PF | 5.00% | 500V | C761 | 1-136-157-00 | FILM | 0.022uF | 5.00% | 50V |
| C517 | 1-162-815-11 | CERAMIC | 47PF | 5.00% | 500V | C766 | 1-162-815-11 | CERAMIC | 47PF | 5.00% | 500V |
| C519 | 1-128-813-11 | CERAMIC | 220PF | 5% | 50V | C767 | 1-162-815-11 | CERAMIC | 47PF | 5.00% | 500V |
| C540 | 1-126-964-11 | ELECT | 10uF | 20.00% | 50V | C770 | 1-128-813-11 | CERAMIC | 220PF | 5% | 50V |
| C541 | 1-127-876-11 | CERAMIC | 0.01uF | 10% | 50V | C800 | 1-128-825-11 | CERAMIC | 2200PF | 5% | 50V |
| C601 | 1-126-963-11 | ELECT | 4.7uF | 20.00% | 50V | C801 | 1-126-947-11 | ELECT | 47uF | 20.00% | 35V |
| C603 | 1-104-665-11 | ELECT | 100uF | 20.00% | 10V | C802 | 1-126-947-11 | ELECT | 47uF | 20.00% | 35V |
| C604 | 1-107-583-11 | CERAMIC | 3PF | 0.25PF | 500V | C803 | 1-165-946-11 | ELECT | 6800uF | 20% | 71V |
| C605 | 1-102-233-00 | CERAMIC | 33PF | 10.00% | 500V | C804 | 1-165-946-11 | ELECT | 6800uF | 20% | 71V |
| C606 | 1-128-813-11 | CERAMIC | 220PF | 5% | 50V | C805 | 1-135-851-21 | MYLAR | 0.22uF | | 100V |
| C607 | 1-128-809-11 | CERAMIC | 100PF | 5% | 50V | C806 | 1-135-851-21 | MYLAR | 0.22uF | | 100V |
| C610 | 1-126-947-11 | ELECT | 47uF | 20.00% | 25V | C807 | 1-104-665-11 | ELECT | 100uF | 20.00% | 10V |
| C611 | 1-136-157-00 | FILM | 0.022uF | 5.00% | 50V | C808 | 1-126-935-11 | ELECT | 470uF | 20.00% | 10V |
| C619 | 1-128-813-11 | CERAMIC | 220PF | 5% | 50V | C810 | 1-164-159-11 | CERAMIC | 0.1uF | | 50V |
| C620 | 1-162-815-11 | CERAMIC | 47PF | 5.00% | 500V | C811 | 1-164-159-11 | CERAMIC | 0.1uF | | 50V |
| C621 | 1-162-815-11 | CERAMIC | 47PF | 5.00% | 500V | C822 | 1-126-947-11 | ELECT | 47uF | 20.00% | 35V |
| C640 | 1-126-964-11 | ELECT | 10uF | 20.00% | 50V | C830 | 1-164-159-11 | CERAMIC | 0.1uF | | 50V |
| C642 | 1-127-876-11 | CERAMIC | 0.01uF | 10% | 50V | C901 | 1-164-159-11 | CERAMIC | 0.1uF | | 50V |
| C651 | 1-126-963-11 | ELECT | 4.7uF | 20.00% | 50V | C903 | 1-126-936-11 | ELECT | 3300uF | 20.00% | 16V |
| C653 | 1-104-665-11 | ELECT | 100uF | 20.00% | 10V | | | < CONNECTOR > | | | |
| C654 | 1-107-583-11 | CERAMIC | 3PF | 0.25PF | 500V | CNP501 | 1-573-845-11 | CONNECTOR, BOARD TO BOARD 13P | | | |
| C655 | 1-102-233-00 | CERAMIC | 33PF | 10.00% | 500V | CNP502 | 1-784-038-21 | CONNECTOR, BOARD TO BOARD 9P | | | |
| C656 | 1-128-813-11 | CERAMIC | 220PF | 5% | 50V | CNP802 | 1-691-767-11 | PLUG (MICRO CONNECTOR) 5P | | | |
| C657 | 1-128-809-11 | CERAMIC | 100PF | 5% | 50V | CNP911 | 1-784-929-11 | PIN, CONNECTOR 14P | | | |
| C660 | 1-126-947-11 | ELECT | 47uF | 20.00% | 25V | CNP915 | 1-770-480-11 | SOCKET, CONNECTOR PIN 4P | | | |
| C661 | 1-136-157-00 | FILM | 0.022uF | 5.00% | 50V | * CNP916 | 1-564-104-00 | PIN, CONNECTOR(3.96mm PITCH)3P | | | |
| C666 | 1-162-815-11 | CERAMIC | 47PF | 5.00% | 500V | | | < DIODE > | | | |
| C669 | 1-162-815-11 | CERAMIC | 47PF | 5.00% | 500V | D505 | 8-719-911-19 | DIODE 1SS133T-72 | | | |
| C670 | 1-128-813-11 | CERAMIC | 220PF | 5% | 50V | D510 | 8-719-911-19 | DIODE 1SS133T-72 | | | |
| C680 | 1-126-964-11 | ELECT | 10uF | 20.00% | 50V | D540 | 8-719-911-19 | DIODE 1SS133T-72 | | | |
| C681 | 1-127-876-11 | CERAMIC | 0.01uF | 10% | 50V | D560 | 8-719-911-19 | DIODE 1SS133T-72 | | | |
| C691 | 1-164-159-11 | CERAMIC | 0.1uF | | 50V | D605 | 8-719-911-19 | DIODE 1SS133T-72 | | | |
| C700 | 1-128-825-11 | CERAMIC | 2200PF | 5% | 50V | D610 | 8-719-911-19 | DIODE 1SS133T-72 | | | |
| C701 | 1-126-963-11 | ELECT | 4.7uF | 20.00% | 50V | D640 | 8-719-911-19 | DIODE 1SS133T-72 | | | |
| C703 | 1-104-665-11 | ELECT | 100uF | 20.00% | 10V | D665 | 8-719-911-19 | DIODE 1SS133T-72 | | | |
| C704 | 1-107-583-11 | CERAMIC | 3PF | 0.25PF | 500V | D680 | 8-719-911-19 | DIODE 1SS133T-72 | | | |
| C705 | 1-102-233-00 | CERAMIC | 33PF | 10.00% | 500V | D690 | 8-719-934-21 | DIODE HZS30-1LTA | | | |
| C706 | 1-128-813-11 | CERAMIC | 220PF | 5% | 50V | D691 | 8-719-911-19 | DIODE 1SS133T-72 | | | |
| C707 | 1-128-809-11 | CERAMIC | 100PF | 5% | 50V | D705 | 8-719-911-19 | DIODE 1SS133T-72 | | | |
| C710 | 1-126-947-11 | ELECT | 47uF | 20.00% | 25V | D710 | 8-719-911-19 | DIODE 1SS133T-72 | | | |
| C711 | 1-136-157-00 | FILM | 0.022uF | 5.00% | 50V | D721 | 8-719-911-19 | DIODE 1SS133T-72 | | | |
| C716 | 1-162-815-11 | CERAMIC | 47PF | 5.00% | 500V | D722 | 8-719-911-19 | DIODE 1SS133T-72 | | | |
| C717 | 1-162-815-11 | CERAMIC | 47PF | 5.00% | 500V | D731 | 8-719-911-19 | DIODE 1SS133T-72 | | | |
| C720 | 1-128-813-11 | CERAMIC | 220PF | 5% | 50V | D732 | 8-719-911-19 | DIODE 1SS133T-72 | | | |
| C721 | 1-126-934-11 | ELECT | 220uF | 20.00% | 16V | | | | | | |
| C722 | 1-126-964-11 | ELECT | 10uF | 20.00% | 50V | | | | | | |

| Ref. No. | Part No. | Description | Remarks | Ref. No. | Part No. | Description | Remarks |
|----------|--------------|------------------------------|---------|----------|--------------|-----------------------------|---------|
| D733 | 8-719-911-19 | DIODE 1SS133T-72 | | Q605 | 8-729-140-82 | TRANSISTOR 2SA988TP-PAFAEA | |
| D734 | 8-719-911-19 | DIODE 1SS133T-72 | | Q606 | 8-729-140-82 | TRANSISTOR 2SA988TP-PAFAEA | |
| D740 | 8-719-911-19 | DIODE 1SS133T-72 | | Q610 | 8-729-119-79 | TRANSISTOR 2SC2785TP-FEK | |
| D750 | 8-719-911-19 | DIODE 1SS133T-72 | | Q640 | 8-729-281-53 | TRANSISTOR 2SC1815GR-TPE2 | |
| D765 | 8-719-911-19 | DIODE 1SS133T-72 | | Q651 | 8-729-119-76 | TRANSISTOR 2SA1115TP-EF | |
| D791 | 8-719-911-19 | DIODE 1SS133T-72 | | Q652 | 8-729-141-30 | TRANSISTOR 2SC3623ATP-LK | |
| D801 | 8-719-934-21 | DIODE HZS30-1LTA | | Q655 | 8-729-140-82 | TRANSISTOR 2SA988TP-PAFAEA | |
| D802 | 8-719-072-05 | DIODE D5SBA20-4003 | | Q656 | 8-729-140-82 | TRANSISTOR 2SA988TP-PAFAEA | |
| D804 | 8-719-118-63 | DIODE RD5.6F-T7B2 | | Q680 | 8-729-281-53 | TRANSISTOR 2SC1815GR-TPE2 | |
| D896 | 8-719-043-76 | DIODE AK04V1 | | Q691 | 8-729-281-53 | TRANSISTOR 2SC1815GR-TPE2 | |
| D902 | 8-719-024-99 | DIODE 11ES2-NTA2B | | Q692 | 8-729-900-63 | TRANSISTOR BN1F4M-TP | |
| D903 | 8-719-024-99 | DIODE 11ES2-NTA2B | | Q701 | 8-729-119-76 | TRANSISTOR 2SA1115TP-EF | |
| D904 | 8-719-024-99 | DIODE 11ES2-NTA2B | | Q702 | 8-729-141-30 | TRANSISTOR 2SC3623ATP-LK | |
| D905 | 8-719-024-99 | DIODE 11ES2-NTA2B | | Q705 | 8-729-140-82 | TRANSISTOR 2SA988TP-PAFAEA | |
| | | < IC > | | Q706 | 8-729-140-82 | TRANSISTOR 2SA988TP-PAFAEA | |
| IC201 | 6-703-501-01 | IC M61527FP | | Q710 | 8-729-119-79 | TRANSISTOR 2SC2785TP-FEK | |
| IC401 | 8-759-636-74 | IC NJM4565DD | | Q722 | 8-729-140-84 | TRANSISTOR 2SC1841TP-PAFAEA | |
| IC501 | 8-749-011-16 | IC STK350-230 | | Q723 | 8-729-119-79 | TRANSISTOR 2SC2785TP-FEK | |
| IC601 | 8-759-636-74 | IC NJM4565DD | | Q725 | 8-729-140-82 | TRANSISTOR 2SA988TP-PAFAEA | |
| IC701 | 6-700-943-01 | IC uPC2581V-S | | Q740 | 8-729-281-53 | TRANSISTOR 2SC1815GR-TPE2 | |
| IC702 | 6-700-943-01 | IC uPC2581V-S | | Q747 | 8-729-900-63 | TRANSISTOR BN1F4M-TP | |
| IC801 | 8-759-649-68 | IC uPC78M07AHF | | Q748 | 8-729-900-36 | TRANSISTOR BA1F4M-TP | |
| IC802 | 8-759-604-95 | IC M5F79M07L | | Q750 | 8-729-281-53 | TRANSISTOR 2SC1815GR-TPE2 | |
| | | < JACK > | | Q751 | 8-729-119-76 | TRANSISTOR 2SA1115TP-EF | |
| J402 | 1-794-981-11 | JACK, PIN 4P (MD/TAPE,CD) | | Q752 | 8-729-141-30 | TRANSISTOR 2SC3623ATP-LK | |
| J403 | 1-794-981-11 | JACK, PIN 4P (DVD,MD/TAPE) | | Q755 | 8-729-140-82 | TRANSISTOR 2SA988TP-PAFAEA | |
| J404 | 1-774-411-11 | JACK, PIN 6P (VIDEO1,VIDEO2) | | Q756 | 8-729-140-82 | TRANSISTOR 2SA988TP-PAFAEA | |
| J405 | 1-770-377-21 | JACK, PIN 1P (SUB WOOFER) | | Q790 | 8-729-119-79 | TRANSISTOR 2SC2785TP-FEK | |
| | | < COIL > | | Q801 | 8-729-140-97 | TRANSISTOR 2SB734-T-34 | |
| L521 | 1-422-009-13 | COIL, AIR-CORE | | | | < RESISTOR > | |
| L601 | 1-422-009-13 | COIL, AIR-CORE | | R360 | 1-249-441-11 | CARBON 100K 5% 1/4W | |
| L651 | 1-422-009-13 | COIL, AIR-CORE | | R361 | 1-249-425-11 | CARBON 4.7K 5% 1/4W F | |
| L701 | 1-422-009-13 | COIL, AIR-CORE | | R362 | 1-249-425-11 | CARBON 4.7K 5% 1/4W F | |
| L751 | 1-422-009-13 | COIL, AIR-CORE | | R363 | 1-249-441-11 | CARBON 100K 5% 1/4W | |
| | | < TRANSISTOR > | | R366 | 1-249-429-11 | CARBON 10K 5% 1/4W | |
| Q361 | 8-729-823-22 | TRANSISTOR 2SC3576-AC | | R367 | 1-249-441-11 | CARBON 100K 5% 1/4W | |
| Q362 | 8-729-823-22 | TRANSISTOR 2SC3576-AC | | R368 | 1-249-437-11 | CARBON 47K 5% 1/4W | |
| Q363 | 8-729-823-22 | TRANSISTOR 2SC3576-AC | | R369 | 1-249-425-11 | CARBON 4.7K 5% 1/4W F | |
| Q364 | 8-729-823-22 | TRANSISTOR 2SC3576-AC | | R370 | 1-249-425-11 | CARBON 4.7K 5% 1/4W F | |
| Q365 | 8-729-823-22 | TRANSISTOR 2SC3576-AC | | R371 | 1-249-441-11 | CARBON 100K 5% 1/4W | |
| Q366 | 8-729-823-22 | TRANSISTOR 2SC3576-AC | | R372 | 1-249-441-11 | CARBON 100K 5% 1/4W | |
| Q379 | 8-729-900-63 | TRANSISTOR BN1F4M-TP | | R373 | 1-249-417-11 | CARBON 1K 5% 1/4W F | |
| Q471 | 8-729-823-22 | TRANSISTOR 2SC3576-AC | | R374 | 1-249-417-11 | CARBON 1K 5% 1/4W F | |
| Q501 | 8-729-119-76 | TRANSISTOR 2SA1115TP-EF | | R375 | 1-249-417-11 | CARBON 1K 5% 1/4W F | |
| Q502 | 8-729-141-30 | TRANSISTOR 2SC3623ATP-LK | | R376 | 1-249-417-11 | CARBON 1K 5% 1/4W F | |
| Q505 | 8-729-140-82 | TRANSISTOR 2SA988TP-PAFAEA | | R377 | 1-249-417-11 | CARBON 1K 5% 1/4W F | |
| Q506 | 8-729-140-82 | TRANSISTOR 2SA988TP-PAFAEA | | R378 | 1-249-417-11 | CARBON 1K 5% 1/4W F | |
| Q540 | 8-729-281-53 | TRANSISTOR 2SC1815GR-TPE2 | | R379 | 1-249-425-11 | CARBON 4.7K 5% 1/4W F | |
| Q550 | 8-729-119-79 | TRANSISTOR 2SC2785TP-FEK | | R380 | 1-249-441-11 | CARBON 100K 5% 1/4W | |
| Q560 | 8-729-119-79 | TRANSISTOR 2SC2785TP-FEK | | R381 | 1-249-429-11 | CARBON 10K 5% 1/4W | |
| Q601 | 8-729-119-76 | TRANSISTOR 2SA1115TP-EF | | R402 | 1-249-417-11 | CARBON 1K 5% 1/4W F | |
| Q602 | 8-729-141-30 | TRANSISTOR 2SC3623ATP-LK | | R404 | 1-249-417-11 | CARBON 1K 5% 1/4W F | |
| | | | | R405 | 1-249-417-11 | CARBON 1K 5% 1/4W F | |
| | | | | R406 | 1-249-417-11 | CARBON 1K 5% 1/4W F | |
| | | | | R407 | 1-249-417-11 | CARBON 1K 5% 1/4W F | |

MAIN

| Ref. No. | Part No. | Description | Quantity | Percentage | Frequency | Remarks | Ref. No. | Part No. | Description | Quantity | Percentage | Frequency | Remarks |
|----------|--------------|------------------------|----------|------------|-----------|---------|----------|--------------|------------------------|----------|------------|-----------|---------|
| R408 | 1-249-417-11 | CARBON | 1K | 5% | 1/4W | F | △ R615 | 1-249-405-11 | CARBON | 100 | 5% | 1/4W | F |
| R409 | 1-249-417-11 | CARBON | 1K | 5% | 1/4W | F | △ R616 | 1-234-182-11 | ENCAPSULATED COMPONENT | | | | |
| R410 | 1-249-437-11 | CARBON | 47K | 5% | 1/4W | F | △ R617 | 1-249-393-11 | CARBON | 10 | 5% | 1/4W | F |
| R430 | 1-249-437-11 | CARBON | 47K | 5% | 1/4W | F | △ R618 | 1-249-389-11 | CARBON | 4.7 | 5% | 1/4W | F |
| R452 | 1-249-417-11 | CARBON | 1K | 5% | 1/4W | F | R620 | 1-249-425-11 | CARBON | 4.7K | 5% | 1/4W | F |
| R454 | 1-249-417-11 | CARBON | 1K | 5% | 1/4W | F | R621 | 1-247-850-11 | CARBON | 6.2K | 5% | 1/4W | F |
| R455 | 1-249-417-11 | CARBON | 1K | 5% | 1/4W | F | R622 | 1-249-419-11 | CARBON | 1.5K | 5% | 1/4W | F |
| R456 | 1-249-417-11 | CARBON | 1K | 5% | 1/4W | F | R623 | 1-249-437-11 | CARBON | 47K | 5% | 1/4W | F |
| R457 | 1-249-417-11 | CARBON | 1K | 5% | 1/4W | F | R624 | 1-249-431-11 | CARBON | 15K | 5% | 1/4W | F |
| R458 | 1-249-417-11 | CARBON | 1K | 5% | 1/4W | F | R625 | 1-249-439-11 | CARBON | 68K | 5% | 1/4W | F |
| R459 | 1-249-417-11 | CARBON | 1K | 5% | 1/4W | F | R631 | 1-249-425-11 | CARBON | 4.7K | 5% | 1/4W | F |
| R469 | 1-249-417-11 | CARBON | 1K | 5% | 1/4W | F | △ R634 | 1-249-404-00 | CARBON | 82 | 5% | 1/4W | F |
| R470 | 1-249-437-11 | CARBON | 47K | 5% | 1/4W | F | R638 | 1-249-439-11 | CARBON | 68K | 5% | 1/4W | F |
| R471 | 1-249-417-11 | CARBON | 1K | 5% | 1/4W | F | R640 | 1-249-433-11 | CARBON | 22K | 5% | 1/4W | F |
| R472 | 1-249-417-11 | CARBON | 1K | 5% | 1/4W | F | R648 | 1-247-843-11 | CARBON | 3.3K | 5% | 1/4W | F |
| R473 | 1-249-425-11 | CARBON | 4.7K | 5% | 1/4W | F | R651 | 1-249-417-11 | CARBON | 1K | 5% | 1/4W | F |
| R474 | 1-249-429-11 | CARBON | 10K | 5% | 1/4W | F | R652 | 1-249-439-11 | CARBON | 68K | 5% | 1/4W | F |
| R475 | 1-249-421-11 | CARBON | 2.2K | 5% | 1/4W | F | R653 | 1-249-421-11 | CARBON | 2.2K | 5% | 1/4W | F |
| R476 | 1-247-807-11 | RES-CHIP | 100 | 5% | 1/4W | F | R654 | 1-249-439-11 | CARBON | 68K | 5% | 1/4W | F |
| R477 | 1-247-807-11 | RES-CHIP | 100 | 5% | 1/4W | F | R655 | 1-249-433-11 | CARBON | 22K | 5% | 1/4W | F |
| R478 | 1-247-807-11 | RES-CHIP | 100 | 5% | 1/4W | F | R656 | 1-249-433-11 | CARBON | 22K | 5% | 1/4W | F |
| R479 | 1-249-421-11 | RES-CHIP | 2.2K | 5% | 1/4W | F | R657 | 1-249-431-11 | CARBON | 15K | 5% | 1/4W | F |
| R499 | 1-249-437-11 | CARBON | 47K | 5% | 1/4W | F | R660 | 1-249-421-11 | CARBON | 2.2K | 5% | 1/4W | F |
| R501 | 1-249-417-11 | CARBON | 1K | 5% | 1/4W | F | R661 | 1-249-440-11 | CARBON | 82K | 5% | 1/4W | F |
| R502 | 1-249-439-11 | CARBON | 68K | 5% | 1/4W | F | R663 | 1-249-414-11 | CARBON | 560 | 5% | 1/4W | F |
| R503 | 1-249-421-11 | CARBON | 2.2K | 5% | 1/4W | F | △ R664 | 1-249-405-11 | CARBON | 100 | 5% | 1/4W | F |
| R504 | 1-249-413-11 | CARBON | 470 | 5% | 1/4W | F | △ R665 | 1-249-405-11 | CARBON | 100 | 5% | 1/4W | F |
| R505 | 1-249-439-11 | CARBON | 68K | 5% | 1/4W | F | △ R666 | 1-234-182-11 | ENCAPSULATED COMPONENT | | | | |
| R510 | 1-249-421-11 | CARBON | 2.2K | 5% | 1/4W | F | △ R667 | 1-249-393-11 | CARBON | 10 | 5% | 1/4W | F |
| R511 | 1-249-440-11 | CARBON | 82K | 5% | 1/4W | F | △ R668 | 1-249-389-11 | CARBON | 4.7 | 5% | 1/4W | F |
| R513 | 1-249-414-11 | CARBON | 560 | 5% | 1/4W | F | R669 | 1-249-425-11 | CARBON | 4.7K | 5% | 1/4W | F |
| △ R514 | 1-249-405-11 | CARBON | 100 | 5% | 1/4W | F | R671 | 1-247-850-11 | CARBON | 6.2K | 5% | 1/4W | F |
| △ R515 | 1-249-405-11 | CARBON | 100 | 5% | 1/4W | F | R672 | 1-249-419-11 | CARBON | 1.5K | 5% | 1/4W | F |
| △ R516 | 1-234-182-11 | ENCAPSULATED COMPONENT | | | | | R673 | 1-249-437-11 | CARBON | 47K | 5% | 1/4W | F |
| △ R517 | 1-249-393-11 | CARBON | 10 | 5% | 1/4W | F | R674 | 1-249-431-11 | CARBON | 15K | 5% | 1/4W | F |
| R520 | 1-249-425-11 | CARBON | 4.7K | 5% | 1/4W | F | R675 | 1-249-433-11 | CARBON | 22K | 5% | 1/4W | F |
| R521 | 1-247-850-11 | CARBON | 6.2K | 5% | 1/4W | F | R676 | 1-249-433-11 | CARBON | 22K | 5% | 1/4W | F |
| R522 | 1-249-419-11 | CARBON | 1.5K | 5% | 1/4W | F | R677 | 1-249-431-11 | CARBON | 15K | 5% | 1/4W | F |
| R524 | 1-249-431-11 | CARBON | 15K | 5% | 1/4W | F | R680 | 1-249-433-11 | CARBON | 22K | 5% | 1/4W | F |
| R525 | 1-249-439-11 | CARBON | 68K | 5% | 1/4W | F | R681 | 1-247-843-11 | CARBON | 3.3K | 5% | 1/4W | F |
| △ R528 | 1-249-389-11 | CARBON | 4.7 | 5% | 1/4W | F | R690 | 1-247-887-00 | CARBON | 220K | 5% | 1/4W | F |
| R531 | 1-249-425-11 | CARBON | 4.7K | 5% | 1/4W | F | R691 | 1-215-888-00 | METAL OXIDE | 220 | 5% | 2W | F |
| R532 | 1-249-425-11 | CARBON | 4.7K | 5% | 1/4W | F | R692 | 1-215-889-00 | METAL OXIDE | 330 | 5% | 2W | F |
| R533 | 1-249-437-11 | CARBON | 47K | 5% | 1/4W | F | R693 | 1-249-429-11 | CARBON | 10K | 5% | 1/4W | F |
| △ R534 | 1-249-404-00 | CARBON | 82 | 5% | 1/4W | F | R694 | 1-249-429-11 | CARBON | 10K | 5% | 1/4W | F |
| R540 | 1-249-433-11 | CARBON | 22K | 5% | 1/4W | F | R695 | 1-249-429-11 | CARBON | 10K | 5% | 1/4W | F |
| R546 | 1-247-843-11 | CARBON | 3.3K | 5% | 1/4W | F | R696 | 1-249-435-11 | CARBON | 33K | 5% | 1/4W | F |
| R555 | 1-249-433-11 | CARBON | 22K | 5% | 1/4W | F | R698 | 1-249-429-11 | CARBON | 10K | 5% | 1/4W | F |
| R556 | 1-249-433-11 | CARBON | 22K | 5% | 1/4W | F | R699 | 1-247-895-00 | CARBON | 470K | 5% | 1/4W | F |
| R557 | 1-249-431-11 | CARBON | 15K | 5% | 1/4W | F | R701 | 1-249-417-11 | CARBON | 1K | 5% | 1/4W | F |
| R560 | 1-249-429-11 | CARBON | 10K | 5% | 1/4W | F | R702 | 1-249-439-11 | CARBON | 68K | 5% | 1/4W | F |
| R573 | 1-249-437-11 | CARBON | 47K | 5% | 1/4W | F | R703 | 1-249-421-11 | CARBON | 2.2K | 5% | 1/4W | F |
| R601 | 1-249-417-11 | CARBON | 1K | 5% | 1/4W | F | R704 | 1-249-439-11 | CARBON | 68K | 5% | 1/4W | F |
| R602 | 1-249-439-11 | CARBON | 68K | 5% | 1/4W | F | R710 | 1-249-421-11 | CARBON | 2.2K | 5% | 1/4W | F |
| R603 | 1-249-421-11 | CARBON | 2.2K | 5% | 1/4W | F | R711 | 1-249-440-11 | CARBON | 82K | 5% | 1/4W | F |
| R604 | 1-249-439-11 | CARBON | 68K | 5% | 1/4W | F | R713 | 1-249-414-11 | CARBON | 560 | 5% | 1/4W | F |
| R610 | 1-249-421-11 | CARBON | 2.2K | 5% | 1/4W | F | △ R714 | 1-249-405-11 | CARBON | 100 | 5% | 1/4W | F |
| R611 | 1-249-440-11 | CARBON | 82K | 5% | 1/4W | F | | | | | | | |
| R613 | 1-249-414-11 | CARBON | 560 | 5% | 1/4W | F | | | | | | | |
| △ R614 | 1-249-405-11 | CARBON | 100 | 5% | 1/4W | F | | | | | | | |

The components identified by mark △ or dotted line with mark △ are critical for safety. Replace only with part number specified.

MAIN

POWER

STANDBY

| Ref. No. | Part No. | Description | Remarks | Ref. No. | Part No. | Description | Remarks |
|----------|--------------|------------------------|---------|----------|----------|--|---------|
| △ R715 | 1-249-405-11 | CARBON | 100 5% | 1/4W | F | < RELAY > | |
| △ R716 | 1-234-182-11 | ENCAPSULATED COMPONENT | | | | | |
| △ R717 | 1-249-393-11 | CARBON | 10 5% | 1/4W | F | RY501 1-515-921-11 RELAY | |
| △ R718 | 1-249-389-11 | CARBON | 4.7 5% | 1/4W | F | RY560 1-755-267-11 RELAY | |
| R719 | 1-249-425-11 | CARBON | 4.7K 5% | 1/4W | F | RY601 1-515-921-11 RELAY | |
| R721 | 1-247-850-11 | CARBON | 6.2K 5% | 1/4W | | RY701 1-515-921-11 RELAY | |
| R722 | 1-249-419-11 | CARBON | 1.5K 5% | 1/4W | F | RY791 1-515-921-11 RELAY | |
| R723 | 1-249-437-11 | CARBON | 47K 5% | 1/4W | | < TERMINAL > | |
| R724 | 1-249-431-11 | CARBON | 15K 5% | 1/4W | | TM601 1-694-805-11 TERMINAL BOARD (CENTER/SURROUND) | |
| R725 | 1-249-439-11 | CARBON | 68K 5% | 1/4W | | TM602 1-694-785-11 TERMINAL BOARD (FRONT) | |
| R731 | 1-249-425-11 | CARBON | 4.7K 5% | 1/4W | F | ***** | |
| △ R732 | 1-249-381-11 | CARBON | 1 5% | 1/4W | F | POWER BOARD | |
| △ R733 | 1-249-381-11 | CARBON | 1 5% | 1/4W | F | ***** | |
| △ R734 | 1-249-404-00 | CARBON | 82 5% | 1/4W | F | < CONNECTOR > | |
| R735 | 1-249-427-11 | CARBON | 6.8K 5% | 1/4W | F | | |
| R736 | 1-249-417-11 | CARBON | 1K 5% | 1/4W | F | * CNP102 1-564-518-11 PLUG, CONNECTOR 3P | |
| R737 | 1-249-436-11 | CARBON | 39K 5% | 1/4W | | < SWITCH > | |
| R740 | 1-249-433-11 | CARBON | 22K 5% | 1/4W | | S152 1-771-410-21 SWITCH, TACTILE (I/⏻) | |
| R742 | 1-249-437-11 | CARBON | 47K 5% | 1/4W | | ***** | |
| R743 | 1-249-433-11 | CARBON | 22K 5% | 1/4W | | 1-686-904-11 STANDBY BOARD | |
| R744 | 1-249-433-11 | CARBON | 22K 5% | 1/4W | | ***** | |
| R745 | 1-249-433-11 | CARBON | 22K 5% | 1/4W | | < CAPACITOR > | |
| R746 | 1-249-433-11 | CARBON | 22K 5% | 1/4W | | C813 1-164-159-11 CERAMIC 0.1uF 50V | |
| R747 | 1-249-431-11 | CARBON | 15K 5% | 1/4W | | C814 1-164-159-11 CERAMIC 0.1uF 50V | |
| R748 | 1-247-843-11 | CARBON | 3.3K 5% | 1/4W | | C815 1-126-943-11 ELECT 2200uF 20.00% 25V | |
| R750 | 1-249-433-11 | CARBON | 22K 5% | 1/4W | | C816 1-126-942-61 ELECT 1000uF 20.00% 25V | |
| R751 | 1-249-417-11 | CARBON | 1K 5% | 1/4W | F | C920 1-164-159-11 CERAMIC 0.1uF 50V | |
| R752 | 1-249-439-11 | CARBON | 68K 5% | 1/4W | | C921 1-164-159-11 CERAMIC 0.1uF 50V | |
| R753 | 1-249-421-11 | CARBON | 2.2K 5% | 1/4W | F | C923 1-126-959-11 ELECT 0.47uF 20.00% 50V | |
| R754 | 1-249-439-11 | CARBON | 68K 5% | 1/4W | | C950 1-126-936-11 ELECT 3300uF 20.00% 16V | |
| R755 | 1-249-433-11 | CARBON | 22K 5% | 1/4W | | < CONNECTOR > | |
| R756 | 1-249-433-11 | CARBON | 22K 5% | 1/4W | | CNP901 1-564-321-00 PIN, CONNECTOR(3.96mm PITCH)2P | |
| R757 | 1-249-431-11 | CARBON | 15K 5% | 1/4W | | * CNP902 1-565-792-11 PIN, CONNECTOR(3.96mm PITCH)2P | |
| R758 | 1-247-843-11 | CARBON | 3.3K 5% | 1/4W | | CNP903 1-564-506-11 PLUG, CONNECTOR 3P | |
| R760 | 1-249-421-11 | CARBON | 2.2K 5% | 1/4W | F | CNP905 1-779-495-11 PLUG, CONNECTOR PIN 4P | |
| R761 | 1-249-440-11 | CARBON | 82K 5% | 1/4W | | CNP912 1-779-978-11 PIN, CONNECTOR 3P | |
| R763 | 1-249-414-11 | CARBON | 560 5% | 1/4W | F | < DIODE > | |
| △ R764 | 1-249-405-11 | CARBON | 100 5% | 1/4W | F | D820 8-719-024-99 DIODE 11ES2-NTA2B | |
| △ R765 | 1-249-405-11 | CARBON | 100 5% | 1/4W | F | D821 8-719-024-99 DIODE 11ES2-NTA2B | |
| △ R766 | 1-234-182-11 | ENCAPSULATED COMPONENT | | | | D822 8-719-024-99 DIODE 11ES2-NTA2B | |
| △ R767 | 1-249-393-11 | CARBON | 10 5% | 1/4W | F | D823 8-719-024-99 DIODE 11ES2-NTA2B | |
| △ R768 | 1-249-389-11 | CARBON | 4.7 5% | 1/4W | F | D901 8-719-911-19 DIODE 1SS133T-72 | |
| R769 | 1-249-425-11 | CARBON | 4.7K 5% | 1/4W | F | D910 8-719-024-99 DIODE 11ES2-NTA2B | |
| R770 | 1-249-437-11 | CARBON | 47K 5% | 1/4W | | D911 8-719-024-99 DIODE 11ES2-NTA2B | |
| R771 | 1-247-850-11 | CARBON | 6.2K 5% | 1/4W | | D912 8-719-024-99 DIODE 11ES2-NTA2B | |
| R772 | 1-249-419-11 | CARBON | 1.5K 5% | 1/4W | F | D913 8-719-024-99 DIODE 11ES2-NTA2B | |
| R773 | 1-249-437-11 | CARBON | 47K 5% | 1/4W | | D914 8-719-911-19 DIODE 1SS133T-72 | |
| R775 | 1-249-439-11 | CARBON | 68K 5% | 1/4W | | D915 8-719-911-19 DIODE 1SS133T-72 | |
| R778 | 1-249-431-11 | CARBON | 15K 5% | 1/4W | | < EARTH TERMINAL > | |
| R780 | 1-249-429-11 | CARBON | 10K 5% | 1/4W | | * G901 1-537-738-21 TERMINAL, EARTH | |
| R791 | 1-249-425-11 | CARBON | 4.7K 5% | 1/4W | F | | |
| R792 | 1-215-868-00 | METAL OXIDE | 680 5% | 1W | | | |
| △ R793 | 1-249-404-00 | CARBON | 82 5% | 1/4W | F | | |
| R794 | 1-215-868-00 | METAL OXIDE | 680 5% | 1W | | | |
| △ R802 | 1-249-409-11 | CARBON | 220 5% | 1/4W | F | | |
| △ R803 | 1-249-389-11 | CARBON | 4.7 5% | 1/4W | F | | |
| R804 | 1-249-426-11 | CARBON | 5.6K 5% | 1/4W | | | |
| R806 | 1-249-433-11 | CARBON | 22K 5% | 1/4W | | | |
| △ R910 | 1-243-635-11 | FUSIBLE | 0.33 5% | 1/2W | | | |

The components identified by mark △ or dotted line with mark △ are critical for safety.
Replace only with part number specified.

STR-K751P

STANDBY

VIDEO

VOLUME

| Ref. No. | Part No. | Description | Remarks |
|----------------------|-----------------------|---------------------------|------------------|
| < FUSE HOLDER > | | | |
| FH901 | 1-533-293-11 | FUSE HOLDER | |
| FH902 | 1-533-293-11 | FUSE HOLDER | |
| < TRANSISTOR > | | | |
| Q901 | 8-729-119-79 | TRANSISTOR | 2SC2785TP-FEK |
| Q921 | 8-729-119-79 | TRANSISTOR | 2SC2785TP-FEK |
| < RESISTOR > | | | |
| △ R810 | 1-243-634-91 | FUSIBLE | 0.22 5% 1/2W |
| △ R812 | 1-243-634-91 | FUSIBLE | 0.22 5% 1/2W |
| △ R901 | 1-219-237-91 | SOLID | 3.3M 20% 1/2W |
| R902 | 1-249-437-11 | CARBON | 47K 5% 1/4W |
| R903 | 1-249-425-11 | CARBON | 4.7K 5% 1/4W F |
| △ R904 | 1-249-381-11 | CARBON | 1 5% 1/4W F |
| R921 | 1-249-437-11 | CARBON | 47K 5% 1/4W |
| R922 | 1-249-435-11 | CARBON | 33K 5% 1/4W |
| R923 | 1-249-429-11 | CARBON | 10K 5% 1/4W |
| < RELAY > | | | |
| △ RY901 | 1-755-276-11 | RELAY, POWER | |
| < TRANSFORMER > | | | |
| T902 | 1-435-281-11 | TRANSFORMER, POWER | |
| ***** | | | |
| A-4731-175-A | VIDEO BOARD, COMPLETE | | |
| ***** | | | |
| < CAPACITOR > | | | |
| C200 | 1-128-805-11 | CERAMIC | 47PF 5% 50V |
| C201 | 1-128-805-11 | CERAMIC | 47PF 5% 50V |
| C206 | 1-126-964-11 | ELECT | 10uF 20.00% 50V |
| C207 | 1-126-964-11 | ELECT | 10uF 20.00% 50V |
| C208 | 1-126-964-11 | ELECT | 10uF 20.00% 50V |
| C210 | 1-126-964-11 | ELECT | 10uF 20.00% 50V |
| C213 | 1-126-934-11 | ELECT | 220uF 20.00% 16V |
| C214 | 1-164-159-11 | CERAMIC | 0.1uF 50V |
| C215 | 1-164-159-11 | CERAMIC | 0.1uF 50V |
| C248 | 1-128-825-11 | CERAMIC | 2200PF 5% 50V |
| C809 | 1-126-934-11 | ELECT | 220uF 20.00% 16V |
| C824 | 1-164-159-11 | CERAMIC | 0.1uF 50V |
| C825 | 1-164-159-11 | CERAMIC | 0.1uF 50V |
| C827 | 1-126-947-11 | ELECT | 47uF 20.00% 25V |
| < CONNECTOR > | | | |
| CNP156 | 1-691-765-11 | PLUG (MICRO CONNECTOR) 3P | |
| < CONNECTOR SOCKET > | | | |
| CNS250 | 1-569-315-11 | SOCKET, CONNECTOR 5P | |
| < DIODE > | | | |
| D203 | 8-719-911-19 | DIODE | 1SS133T-72 |
| D204 | 8-719-911-19 | DIODE | 1SS133T-72 |

| Ref. No. | Part No. | Description | Remarks |
|-----------------------|--------------|----------------------------------|-----------------|
| < IC > | | | |
| IC103 | 6-701-890-01 | IC NJM2595D | |
| IC804 | 8-759-701-65 | IC NJM79M05FA | |
| IC807 | 8-759-039-69 | IC uPC7805AHF | |
| < JACK > | | | |
| J200 | 1-794-978-11 | JACK, PIN 3P (VIDEO1,VIDEO2,DVD) | |
| J201 | 1-815-043-11 | JACK, PIN 2P (VIDEO1,MONITOR) | |
| < RESISTOR > | | | |
| R200 | 1-247-804-11 | CARBON | 75 5% 1/4W |
| R201 | 1-247-804-11 | CARBON | 75 5% 1/4W |
| R218 | 1-247-804-11 | CARBON | 75 5% 1/4W |
| R220 | 1-247-804-11 | CARBON | 75 5% 1/4W |
| R221 | 1-247-804-11 | CARBON | 75 5% 1/4W |
| ***** | | | |
| VOLUME BOARD | | | |
| ***** | | | |
| < CONNECTOR > | | | |
| * CNP104 | 1-564-518-11 | PLUG, CONNECTOR 3P | |
| < VARIABLE RESISTOR > | | | |
| RV102 | 1-418-725-41 | ENCODER, ROTARY (12 TYPE) | (MASTER VOLUME) |
| ***** | | | |
| MISCELLANEOUS | | | |
| ***** | | | |
| △ 57 | 1-783-532-11 | CORD, POWER | |
| 61 | 1-769-937-11 | WIRE (FLAT TYPE) (11 CORE) | |
| 62 | 1-693-577-22 | TUNER | |
| 65 | 1-575-662-31 | WIRE (FLAT TYPE) (5 CORE) | |
| △ F901 | 1-533-454-31 | FUSE 6.3A/125V | |
| Q503 | 8-749-010-25 | IC MN2488-OPY-M | |
| Q504 | 8-749-010-26 | IC MP1620-OPY-M | |
| Q603 | 8-749-010-25 | IC MN2488-OPY-M | |
| Q604 | 8-749-010-26 | IC MP1620-OPY-M | |
| Q653 | 8-749-010-25 | IC MN2488-OPY-M | |
| Q654 | 8-749-010-26 | IC MP1620-OPY-M | |
| Q703 | 8-749-010-25 | IC MN2488-OPY-M | |
| Q704 | 8-749-010-26 | IC MP1620-OPY-M | |
| Q753 | 8-749-010-25 | IC MN2488-OPY-M | |
| Q754 | 8-749-010-26 | IC MP1620-OPY-M | |
| △ T901 | 1-437-998-11 | POWER TRANSFORMER | |

The components identified by mark △ or dotted line with mark △ are critical for safety. Replace only with part number specified.

MEMO

