

# SAMSUNG

CHASSIS: US60A  
MOD- CX5330AN

HOT

COLD

15V

/

5V

17V

125V

33V

START

B+

STR - S6309

Q801 STR-S6307  
DZ801 MTZ9V1  
POWER

PC817  
OPTO-  
COUPLER

IC802  
MC7805  
REGULATOR

Q807  
SE120N  
ERROR-AMP

**micro**  
ELECTRONIC  
Dragoljub Jankovic  
micro@ppt.yu  
031 / 512 402 063 / 83 11 606

S-BY 2.8V  
NORMAL 16V

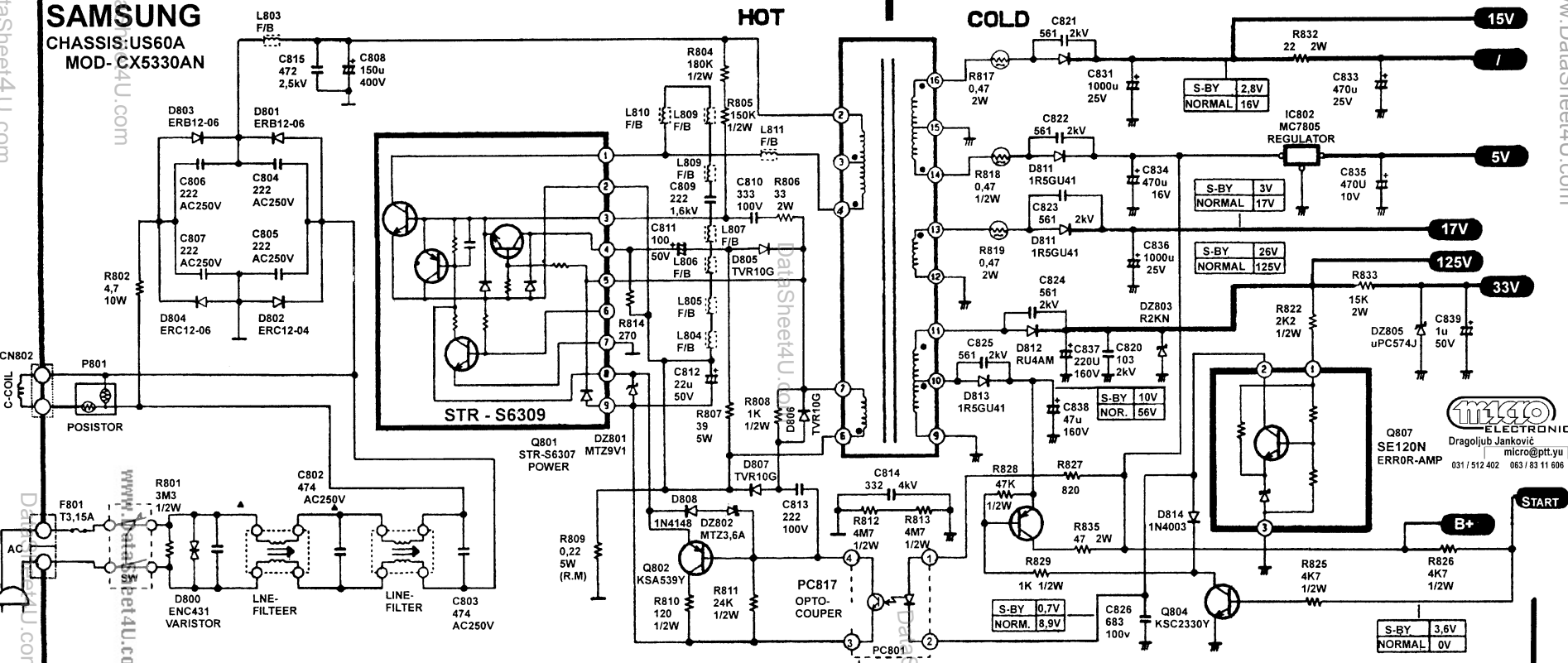
S-BY 3V  
NORMAL 17V

S-BY 26V  
NORMAL 125V

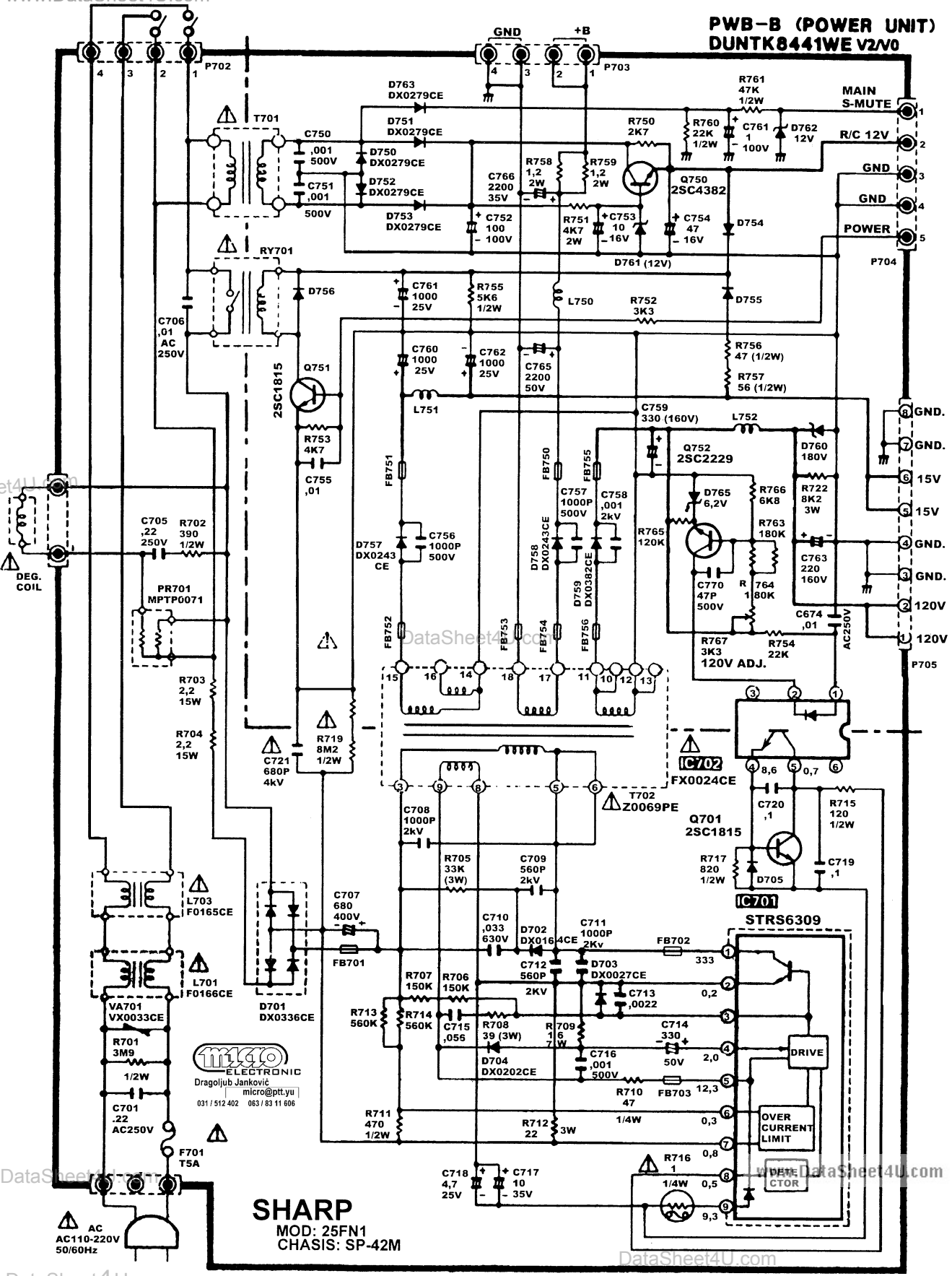
S-BY 10V  
NOR. 56V

S-BY 0.7V  
NORM. 8.9V

S-BY 3.6V  
NORMAL 0V



# PWB-B (POWER UNIT) DUNTK8441WE V2/V0



**SHARP**  
 MOD: 25FN1  
 CHASIS: SP-42M

**Miko**  
 ELECTRONIC  
 Dragojub Jankovic  
 micro@ptt.yu  
 031/512 402 063/83 11 606

www.DataSheet4U.com

DataSheet4U.com