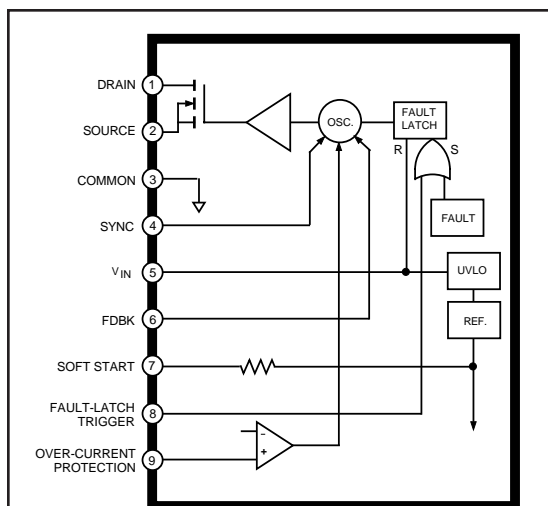


# STR-S6525

## OFF-LINE SWITCHING REGULATOR – WITH POWER MOSFET OUTPUT



Dwg. PK-002-1

### ABSOLUTE MAXIMUM RATINGS

Supply Voltage, $V_{IN}$ .....	<b>35 V</b>
Drain-Source Voltage, $V_{DS}$ .....	<b>600 V</b>
Continuous Drain Current, $I_D$ .....	<b>6.0 A</b>
1 ms Single-Pulse Drain Current, $I_{DM}$ .....	<b>24 A</b>
Single-Pulse Avalanche Energy, $E_A$ .....	<b>400 mJ</b>
Feedback Input Current, $I_{FDBK}$ .....	<b>20 mA</b>
Fault-Latch Trig. Input Current, $I_{FL}$ .....	<b>1.0 mA</b>
dc $\leq 25\%$ , $I_{FLM}$ .....	<b>-50 mA</b>
Soft-Start Output Current, $I_{SS}$ .....	<b>-3.0 mA</b>
Over-Current Protection Voltage, $V_{OCP}$ .....	<b>3.5 V</b>
Insulation Voltage, $V_{WM(RMS)}$ .....	<b>2000 V</b>
Package Power Diss., $P_D$ .....	<b>See Graph</b>
FET Junction Temperature, $T_J$ .....	<b>+150°C</b>
Internal Frame Temperature, $T_F$ ...	<b>+125°C</b>
Operating Temperature Range, $T_A$ .....	<b>-20°C to +125°C</b>
Storage Temperature Range, $T_{stg}$ .....	<b>-30°C to +125°C</b>

The STR-S6525 is specifically designed to meet the requirement for increased integration and reliability in off-line flyback converters operating in a constant OFF-time mode. The device incorporates the primary control and drive circuit with a discrete avalanche-rated high-voltage power MOSFET.

Crucial system parameters such as maximum ON time and OFF time are fixed during manufacture. Local control circuit decoupling and layout are optimized within the device.

Cycle-by-cycle current limiting, soft start, under-voltage lock-out with hysteresis, over-voltage protection, and thermal shutdown protect the device during all normal and overload conditions. Over-voltage protection, thermal shutdown, or an external fault signal be latched. The dual requirements of dielectric isolation and low transient thermal impedance and steady-state thermal resistance are satisfied in an over-molded single-in-line power package.

Proven in substantial volumes, this device and its fixed-frequency counterparts represents a significant advance in off-line SMPS reliability growth and integration.

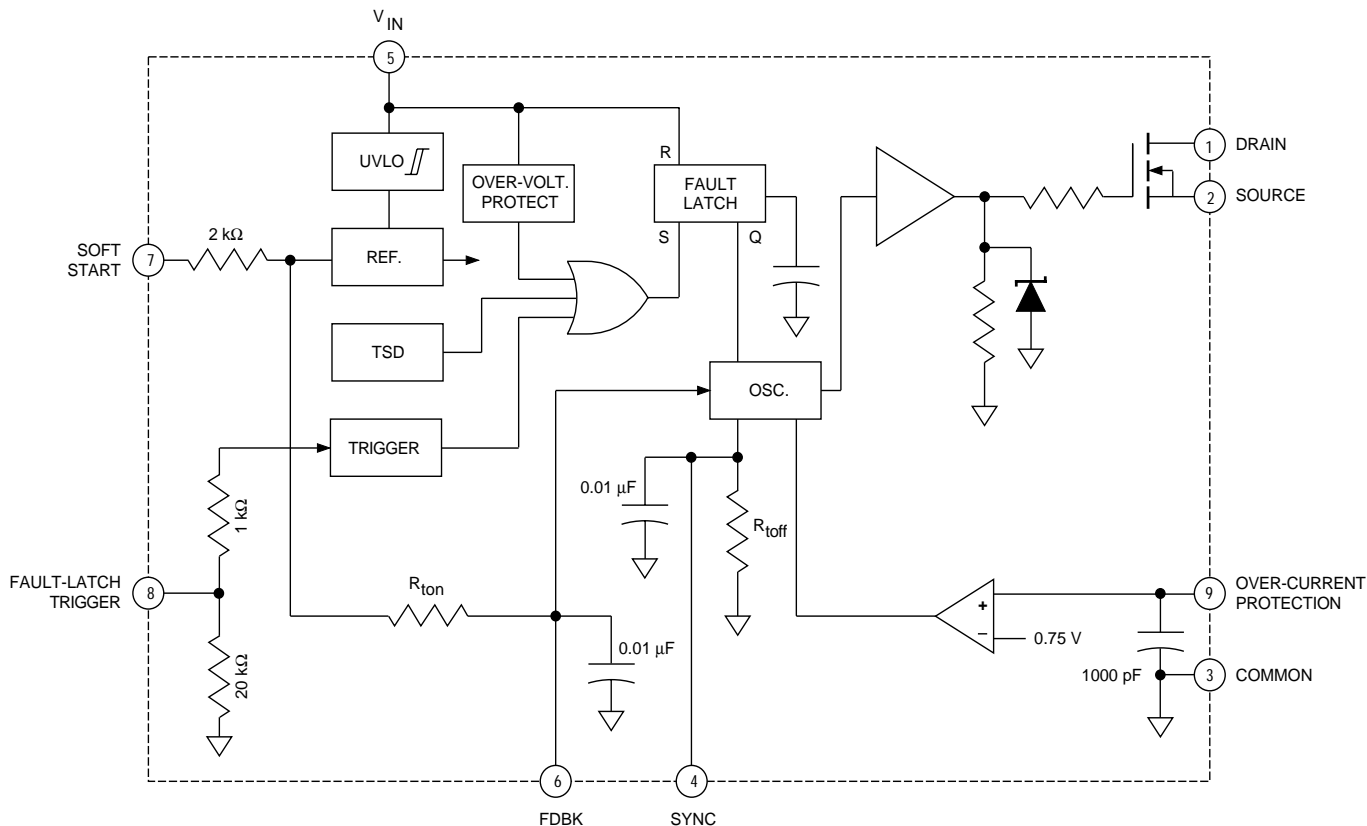
### FEATURES

- Constant OFF-Time Converter Operating Mode
- Avalanche-Rated Power MOSFET Switch
- Pulse-by-Pulse Current Limiting
- Latched Over-Voltage and Thermal Protection
- Maximum ON Time and OFF Time Set During Manufacture
- Internal Under-Voltage Lockout with Hysteresis
- Over-Molded SIP with Integral Isolated Heat Spreader
- External Synchronization Capability

Always order by complete part number: **STR-S6525**.

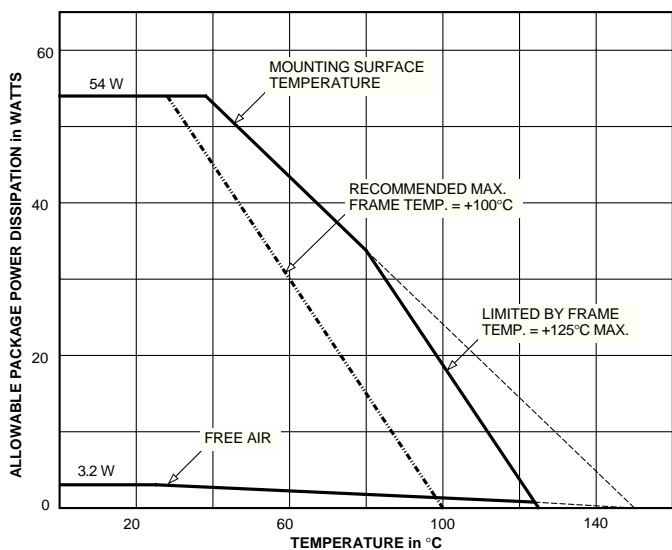
# STR-S6525 OFF-LINE SWITCHING REGULATOR

## FUNCTIONAL BLOCK DIAGRAM



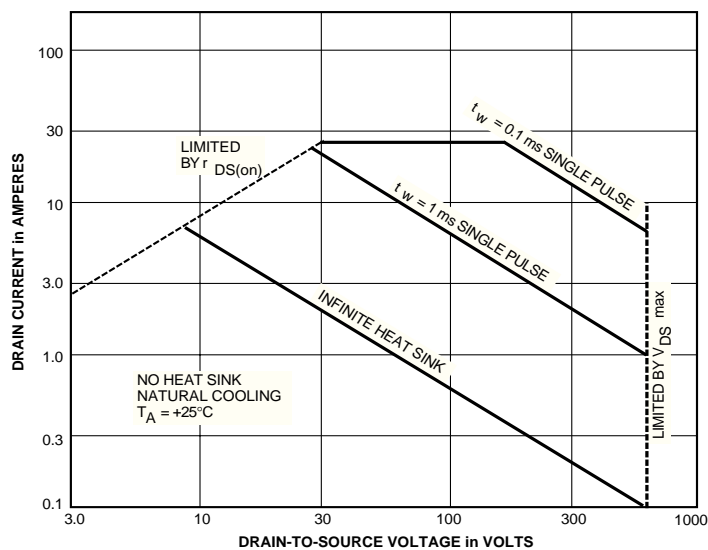
Dwg. FK-002-1

## ALLOWABLE PACKAGE POWER DISSIPATION



Dwg. GK-003-2

## MAXIMUM SAFE OPERATING AREA

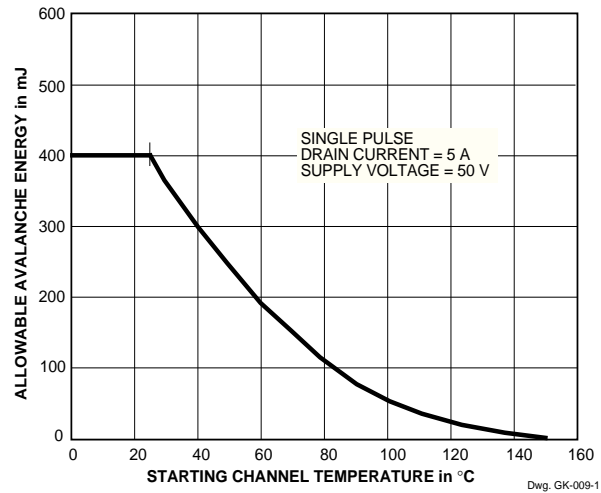


Dwg. GK-004-4

# STR-S6525

## OFF-LINE SWITCHING REGULATOR

### ALLOWABLE AVALANCHE ENERGY



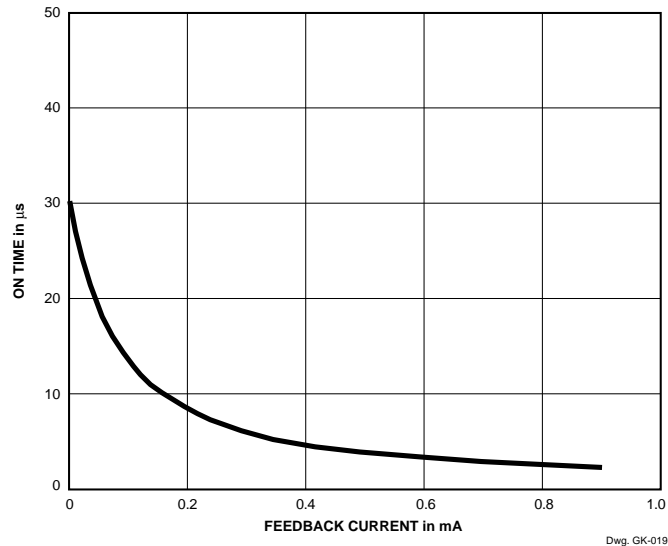
**ELECTRICAL CHARACTERISTICS** at  $T_A = +25^\circ\text{C}$ ,  $V_{IN} = 18\text{ V}$ , voltage measurements are referenced to Common (pin 3) (unless otherwise noted).

Characteristic	Symbol	Test Conditions	Limits			
			Min.	Typ.	Max.	Units
On-State Voltage	$V_{INT}$	Turn-on, increasing $V_{IN}$	14.4	–	17.6	V
Under-Voltage Lockout	$V_{INQ}$	Turn-off, decreasing $V_{IN}$	9.0	–	11	V
Over-Voltage Threshold	$V_{OVP(th)}$		26	–	31	V
FET Leakage Current	$I_{DSS}$	$V_{DS} = 600\text{ V}$	–	–	300	$\mu\text{A}$
FET ON Resistance	$r_{DS(on)}$	$V_{GS} = 10\text{ V}$ , $I_D = 3\text{ A}$	–	1.0	1.25	$\Omega$
Output Fall Time	$t_f$	$V_{DD} = 200\text{ V}$ , $I_D = 5\text{ A}$ , 10% to 90% $V_{DS}$	–	–	250	ns
Maximum ON Time	$t_{on}$	$I_{FDBK} = 0$	27	–	33	$\mu\text{s}$
Minimum OFF Time	$t_{off}$		50	–	62	$\mu\text{s}$
Over-Current Threshold	$V_{OCP(th)}$		700	–	800	mV
Feedback Threshold	$V_{FDBK(th)}$		–	750	–	mV
Soft-Start Voltage	$V_{SS}$		8.7	–	9.7	V
Sync. Trigger Threshold Volt.	$V_{SYNC(th)}$		–	3.0	–	V
Fault-Latch Trig. Threshold	$V_{FL(th)}$		680	–	880	mV
Fault-Latch Holding Current	$I_{INH}$	$V_{IN}$ reduced from 31 V to 8.5 V	–	340	400	$\mu\text{A}$
Fault-Latch Reset Voltage	$V_{INQ}$	$I_{IN} \leq 20\ \mu\text{A}$ , $V_{IN}$ reduced from 31 V	6.5	–	8.5	V
Insulation RMS Voltage	$V_{WM(RMS)}$	All terminals simultaneous reference metal plate against backside	2000	–	–	V
Supply Current	$I_{IN(ON)}$	Operating	9.0	–	15	mA
	$I_{IN(OFF)}$	Start up, $V_{IN} = 14\text{ V}$	–	–	200	$\mu\text{A}$
Thermal Shutdown	$T_J$		125	150	–	$^\circ\text{C}$
Thermal Resistance	$R_{\theta JM}$	FET junction to mounting surface	–	2.0	–	$^\circ\text{C/W}$

NOTES: Negative current is defined as coming out of (sourcing) the specified device terminal.  
Typical Data is for design information only.

**STR-S6525**  
**OFF-LINE**  
**SWITCHING REGULATOR**

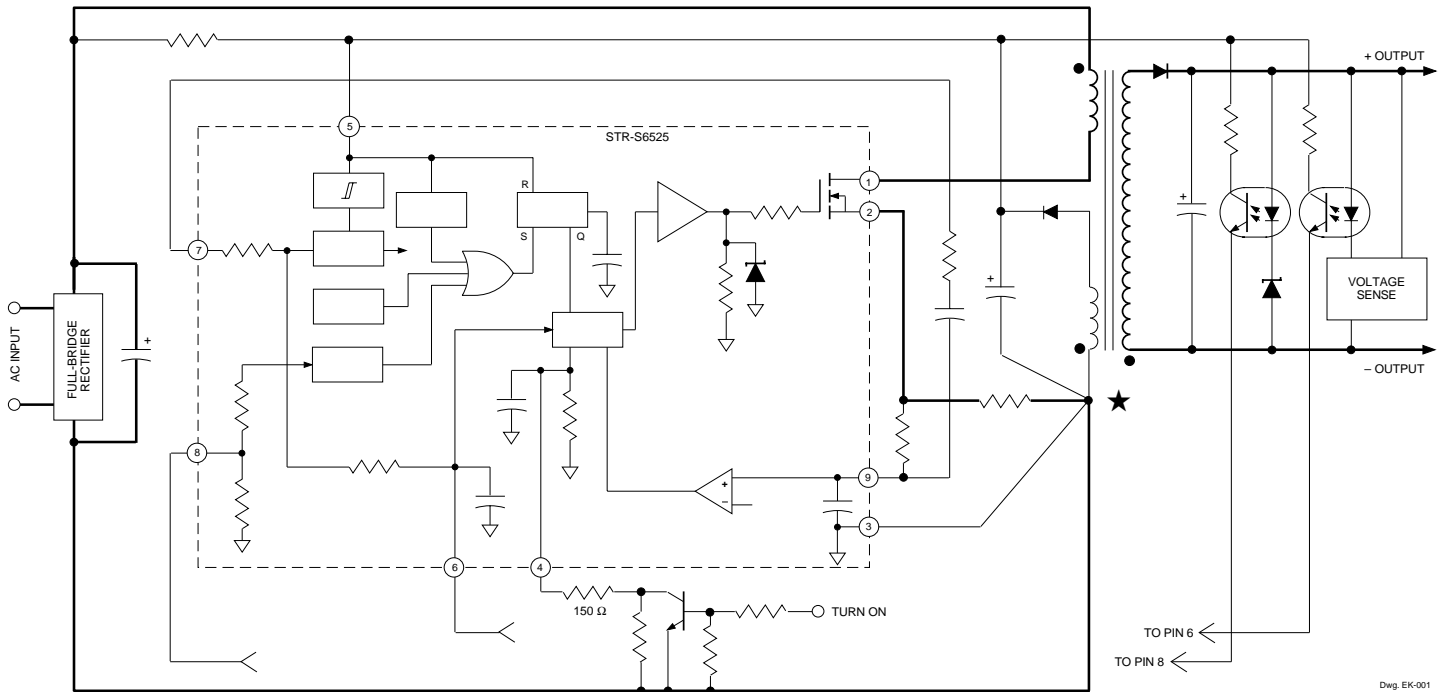
**TYPICAL CHARACTERISTICS**



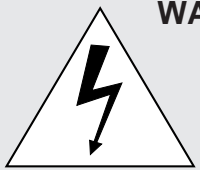
# STR-S6525 OFF-LINE SWITCHING REGULATOR

## TYPICAL APPLICATION

**WARNING:** lethal potentials are present. See text.



## APPLICATIONS INFORMATION



**WARNING** — These devices are designed to be operated at lethal voltages and energy levels. Circuit designs that embody these components must conform with applicable safety requirements. Precautions must be taken to prevent accidental contact with power-line potentials. Do not connect grounded test equipment.

The use of an isolation transformer is recommended during circuit development and breadboarding.

The power MOSFET outputs of these devices are similar to the International Rectifier type IRFBC40. These devices feature an excellent combination of fast switching, ruggedized device design, low on-resistance, and cost effectiveness.

Recommended mounting hardware torque:

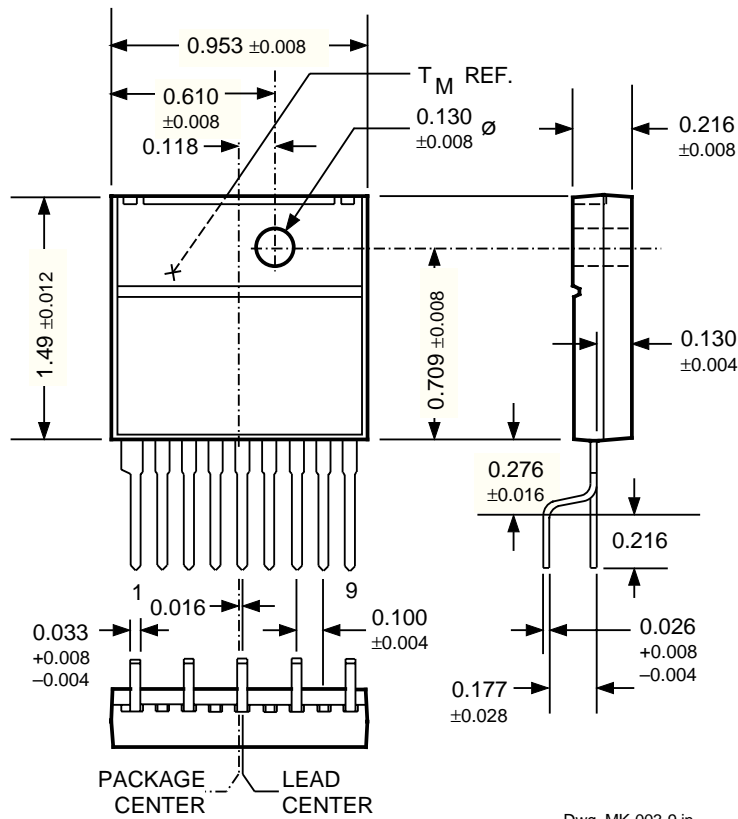
4.34 – 5.79 lbf•ft (6 – 8 kg•cm or 0.588 – 0.784 Nm).

Recommended metal-oxide-filled, alkyl-degenerated oil base, silicone grease:

Dow Corning 340, or equivalent

**STR-S6525**  
**OFF-LINE**  
**SWITCHING REGULATOR**

**Dimensions in Inches**  
**(for reference only)**



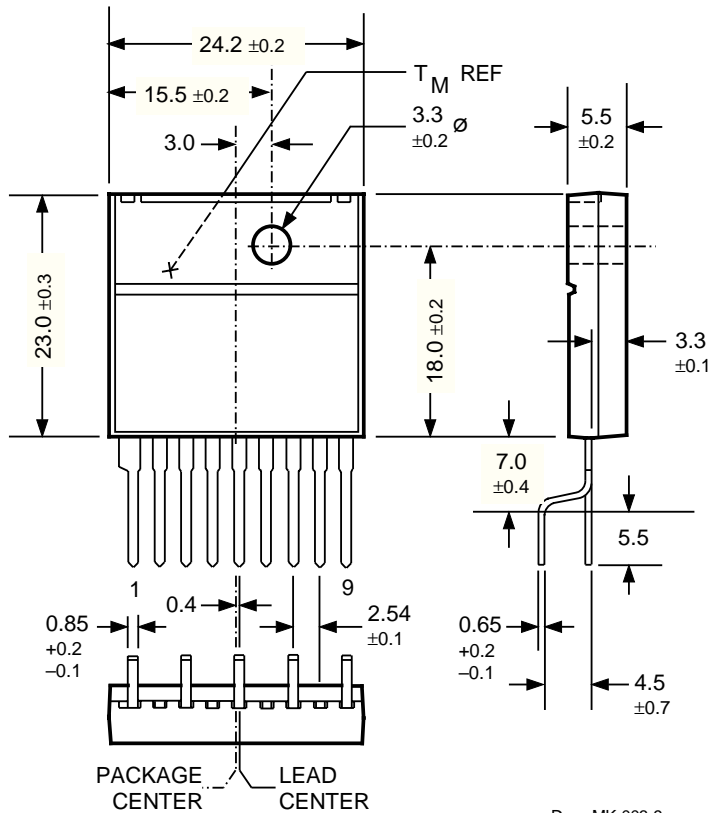
NOTE: Exact body and lead configuration at vendor's option within limits shown.

# STR-S6525

## OFF-LINE

### SWITCHING REGULATOR

#### Dimensions in Millimeters (controlling dimensions)



NOTE: Exact body and lead configuration at vendor's option within limits shown.

The products described here are manufactured in Japan by Sanken Electric Co., Ltd. for sale by Allegro MicroSystems, Inc.

Sanken Electric Co., Ltd. and Allegro MicroSystems, Inc. reserve the right to make, from time to time, such departures from the detail specifications as may be required to permit improvements in the design of their products.

The information included herein is believed to be accurate and reliable. However, Sanken Electric Co., Ltd. and Allegro MicroSystems, Inc. assume no responsibility for its use; nor for any infringements of patents or other rights of third parties which may result from its use.

# STR-S6525 OFF-LINE SWITCHING REGULATOR

## POWER CONVERSION/POWER MANAGEMENT SELECTION GUIDES

### SWITCHING REGULATOR PMCMs

Part Number*	Application	V <sub>I</sub>	Max P <sub>O</sub>		Power Switch	
3002M	5 V Switching Regulator and a 9 V Switching Regulator†	7.0-33 V	–	–	500 mA 400 mA	Bipolar Bipolar
3004M	5 V Switching Regulator and Dual 9 V Switching Regulator	7.0-33 V	–	–	500 mA 2 x 400 mA	Bipolar Bipolar
S5703	Quasi-Resonant Flyback Converter	110/120 V	140 W	500 V	6 A	Bipolar
S5707	Quasi-Resonant Flyback Converter	85-265 V 220/240V	90 W 140 W	850 V	6 A	Bipolar
S5708	Quasi-Resonant Flyback Converter	85-265 V 220/240 V	120 W 180 W	850 V	7.5 A	Bipolar
F6624	Quasi-Resonant Flyback Converter	100/120 V	130 W	450 V	0.92 Ω	MOSFET
F6626	Quasi-Resonant Flyback Converter	100/120 V	190 W	450 V	0.58 Ω	MOSFET
F6628	Quasi-Resonant Flyback Converter	100/120 V	290 W	450 V	0.35 Ω	MOSFET
F6652	Quasi-Resonant Flyback Converter	85-265 V	86 W	650 V	2.8 Ω	MOSFET
F6653	Quasi-Resonant Flyback Converter	85-265 V	120 W	650 V	1.95 Ω	MOSFET
F6654	Quasi-Resonant Flyback Converter	85-265 V	190 W	650 V	1.15 Ω	MOSFET
F6656	Quasi-Resonant Flyback Converter	85-265 V	300 W	650 V	0.71 Ω	MOSFET
F6672	Quasi-Resonant Flyback Converter	200/220 V	50 W	900 V	7.7 Ω	MOSFET
F6674	Quasi-Resonant Flyback Converter	85-265 V	76 W	900 V	4.49 Ω	MOSFET
F6676	Quasi-Resonant Flyback Converter	85-265 V	115 W	900 V	2.81 Ω	MOSFET
S6703	Quasi-Resonant Flyback Converter	110/120V	140 W	500 V	6 A	Bipolar
S6704	Quasi-Resonant Flyback Converter	110/120 V	100 W	500 V	5 A	Bipolar
S6707	Quasi-Resonant Flyback converter	85-265 V 220/240 V	90 W 140 W	850 V	6 A	Bipolar
S6708	Quasi-Resonant Flyback Converter	85-265 V 220/240 V	120 W 180 W	850 V	7.5 A	Bipolar
S6709	Quasi-Resonant Flyback Converter	85-265 V 220/240 V	160 W 220 W	850 V	10 A	Bipolar
8033S	3.3 V Switching Regulator	5.5-28 V	–	–	3 A	Bipolar
8050S	5.0 V Switching Regulator	7.0-40 V	–	–	3 A	Bipolar
8090S	9.0 V Switching Regulator	12-40V	–	–	3 A	Bipolar
8120S	12 V Switching Regulator	15-40 V	–	–	3 A	Bipolar
8150S	15 V Switching Regulator	18-40 V	–	–	3 A	Bipolar

\* Complete part number includes additional characters to indicate operating temperature range and/or package style.

† Also includes linear regulator output for 15.7 V at 1.0 A.



115 North Main Street, 30th Floor  
Worcester, Massachusetts 01615-0036 (508) 853-5000

