

# STR-W550

## SERVICE MANUAL

*Canadian Model  
AEP Model  
UK Model  
E Model  
Australian Model  
Tourist Model*



STR-W550 is RECEIVER section in  
MHC-W550

### SPECIFICATIONS

#### Tuner section

FM stereo, FM/AM superheterodyne tuner

#### FM tuner section

Tuning range 87.5-108.0MHz (EXCEPT JE)  
76.0-108.0MHz (JE)  
Aerial FM lead aerial  
Aerial terminals 75 ohm unbalanced  
Intermediate frequency 10.7MHz

#### AM tuner section

Tuning range (Canadian, Thai, Argentine, Australian, E2)  
AM: 530-1,710kHz  
(with interval set at 10kHz)  
531-1,710kHz  
(with interval set at 9kHz)  
(EXCEPT Canadian, Thai, Argentine,  
Australian, E2)  
MW: 531-1,602kHz  
(with interval set at 9kHz)  
(AEP, UK)  
LW: 153-279kHz  
(with interval set at 3kHz)  
(EXCEPT AEP, UK, Canadian, Thai,  
Argentine, Australian, E2)  
SW: 5.95-17.90MHz  
(with interval set at 9kHz)  
Intermediate frequency 450kHz  
Aerial AM loop aerial,  
External aerial terminal

#### Video section

Inputs AV INPUT VIDEO  
(phone jack) :  
1 Vp-p, 75 ohms  
MONITOR OUT  
(phone jack) :  
1 Vp-p, 75 ohms

#### Amplifier section

DIN power output 80W +80W  
(6 ohms at 1kHz, DIN)  
Music power output 190W + 190W  
(6 ohms at 1kHz, 10%, THD)  
Inputs MD/VIDEO 1 IN (phono jacks) : voltage 250 mV,  
impedance 47 kilo ohms AV INPUT AUDIO  
(phone jacks) : voltage 250 mV, impedance 47  
kilo ohms  
MIX/MIC (phone jack) : sensitivity 1mV,  
impedance 10 kilo ohms  
Outputs MD/VIDEO 1 OUT  
(phone jacks) : voltage 250  
mV, impedance 1 kilo ohm  
PHONES (stereo phone  
jack) : accepts headphone  
of 8 ohms or more.  
SPEAKER : accepts  
impedance of 6 to 16  
ohms  
SUPER WOOFER :  
Voltage 1 V, impedance 1  
kilo ohms

— Continued on next page —

E2 : Tuner sections SW band do not exist.

## FM STEREO/FM-AM RECEIVER



# SONY

## General

Power requirements	120V AC, 60 Hz (Canadian) 240V AC, 50/60 Hz (Australian) 220V AC, 50/60 Hz (Thai) 220 - 230V AC, 50/60 Hz (AEP, East European, CIS) 220 - 240V AC, 50/60 Hz (UK) 110 - 120V/220-240V AC adjustable, 50/60 Hz (OTHER MODEL)
Power consumption	170 watts
Dimensions (w / h / d)	Approx. 280 × 205 × 336 mm
Mass	Approx. 7.0 kg

Design and specifications are subject to change without notice.

## TABLE OF CONTENTS

<b>1. GENERAL</b>	3
<b>2. TEST MODE</b>	5
<b>3. ELECTRICAL ADJUSTMENTS</b>	6
<b>4. DIAGRAMS</b>	
4-1. Circuit Boards Location	8
4-2. Printed Wiring Board — Tuner Section —	9
4-3. Schematic Diagram — Tuner Section —	11
4-4. Printed Wiring Board — Panel Section —	14
4-5. Schematic Diagram — Panel Section —	17
4-6. Printed Wiring Board — Main Section —	20
4-7. Schematic Diagram — Main Section —	23
4-8. Printed Wiring Board and Schematic Diagram — Power Section —	27
4-9. IC Pin Function	31
4-10. IC Block Diagrams	33
<b>5. EXPLODED VIEWS</b>	
5-1. Main Section	35
5-2. Panel Section	36
<b>6. ELECTRICAL PARTS LIST</b>	37

## Notes on chip component replacement

- Never reuse a disconnected chip component.
- Notice that the minus side of a tantalum capacitor may be damaged by heat.

### SAFETY-RELATED COMPONENT WARNING!!

COMPONENTS IDENTIFIED BY MARK  $\triangle$  OR DOTTED LINE WITH MARK  $\triangle$  ON THE SCHEMATIC DIAGRAMS AND IN THE PARTS LIST ARE CRITICAL TO SAFE OPERATION. REPLACE THESE COMPONENTS WITH SONY PARTS WHOSE PART NUMBERS APPEAR AS SHOWN IN THIS MANUAL OR IN SUPPLEMENTS PUBLISHED BY SONY.

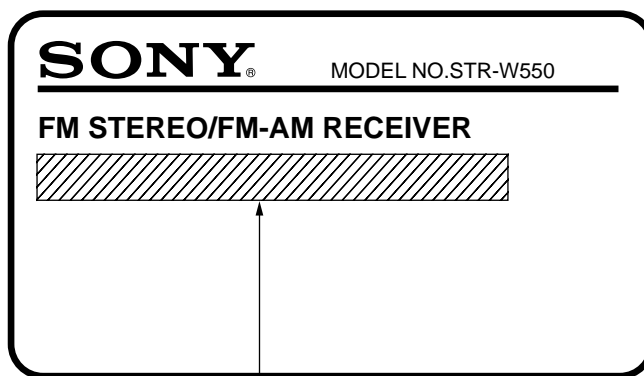
### ATTENTION AU COMPOSANT AYANT RAPPORT À LA SÉCURITÉ!

LES COMPOSANTS IDENTIFIÉS PAR UNE MARQUE  $\triangle$  SUR LES DIAGRAMMES SCHÉMATIQUES ET LA LISTE DES PIÈCES SONT CRITIQUES POUR LA SÉCURITÉ DE FONCTIONNEMENT. NE REMPLACER CES COMPOSANTS QUE PAR DES PIÈCES SONY DONT LES NUMÉROS SONT DONNÉS DANS CE MANUEL OU DANS LES SUPPLÉMENTS PUBLIÉS PAR SONY.

## MODEL IDENTIFICATION

— Model Number Label —

### MODEL IDENTIFICATION



CND : AC 120V AC, ~ 60Hz 170W

AUS : AC 240V AC, ~ 50/60Hz 170W

TH : AC 220V AC, ~ 50/60Hz 170W

AEP, EE, CIS : AC 220-230V ~ 50/60Hz 170W

UK : AC 220-240V ~ 50/60Hz 170W

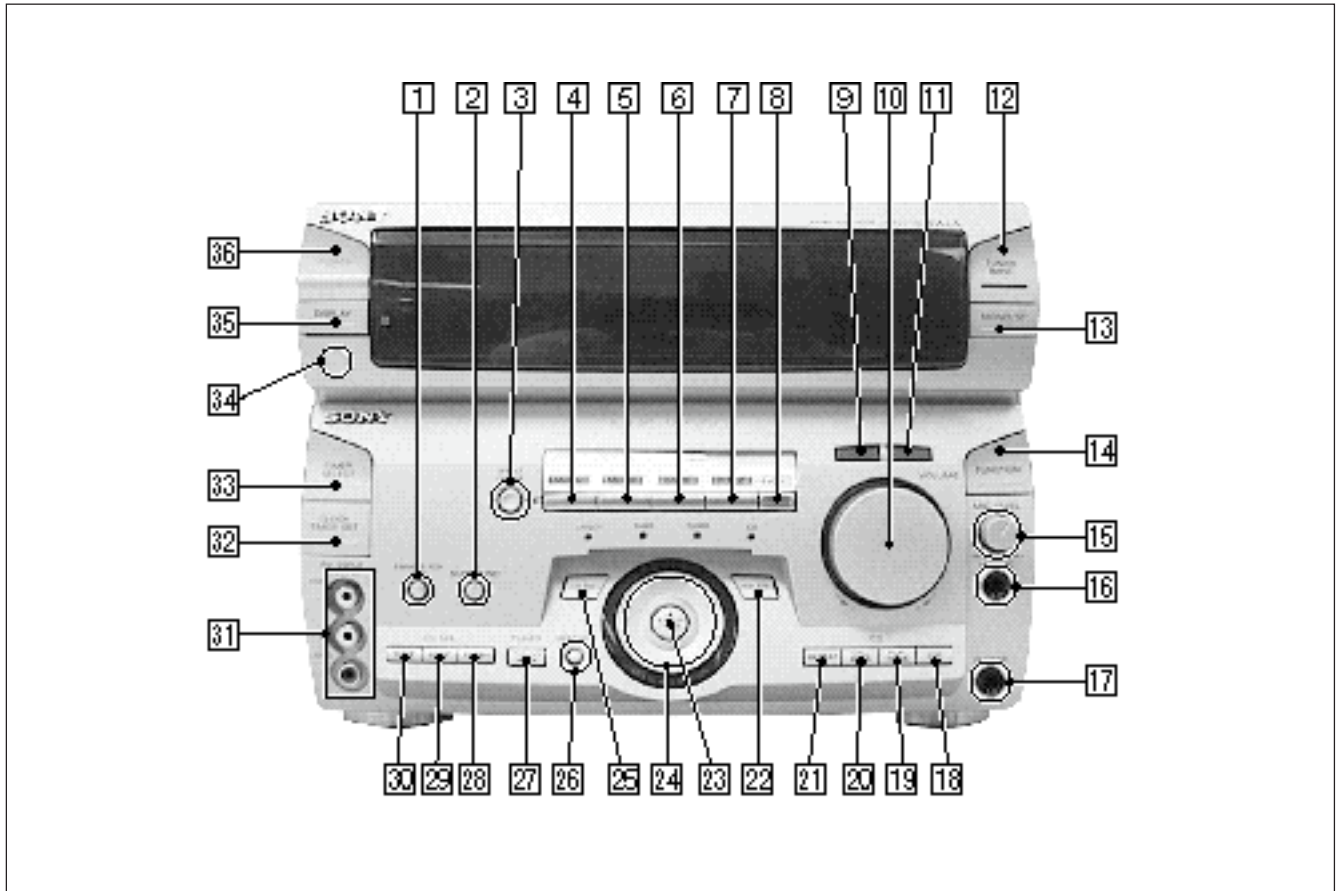
OTHER MODEL : AC 110-120V, 220-240V selectable  
~ 50/60Hz 170W

### • Abbreviations

TH : Thai	SP : Singapore	AR : Argentine
HK : HongKong	EA3 : Saudi Arabia	AUS : Australian
TW : Taiwan	EA4 : Israel	MY : Malaysia
IA : Indonesian	JE : Tourist	CND : Canadian
EE : East European		
E2 : Tuner sections SW band do not exist.		
E3 : Tuner sections SW band exist.		

# SECTION 1 GENERAL

— FRONT PANEL —



- |                                 |                                      |
|---------------------------------|--------------------------------------|
| <b>1</b> KARAOKE PON/MPX button | <b>19</b> PLAY MODE button           |
| <b>2</b> SURROUND button        | <b>20</b> 1/ALL DISCS button         |
| <b>3</b> EFFECT ON/OFF button   | <b>21</b> REPEAT button              |
| <b>4</b> MUSIC button           | <b>22</b> HIGH FREQ button           |
| <b>5</b> MOVIE button           | <b>23</b> ENTER/NEXT button          |
| <b>6</b> GAME button            | <b>24</b> MULTI JOG STATION dial     |
| <b>7</b> P FILE button          | <b>25</b> LOW FREQ button            |
| <b>8</b> MEMO button            | <b>26</b> MEMORY button              |
| <b>9</b> DBFB button            | <b>27</b> TUNING MODE button         |
| <b>10</b> VOLUME                | <b>28</b> FLASH button               |
| <b>11</b> GROOVE button         | <b>29</b> LOOP button                |
| <b>12</b> TUNER BAND button     | <b>30</b> WAVE button                |
| <b>13</b> MONO/ST button        | <b>31</b> AV INPUT jack              |
| <b>14</b> FUNCTION button       | <b>32</b> CLOCK TIMER SET button     |
| <b>15</b> MIC LEVEL             | <b>33</b> TIMER SELECT button        |
| <b>16</b> MIX MIC jack          | <b>34</b> RDS button (AEP, UK MODEL) |
| <b>17</b> PHONES jack           | <b>35</b> DISPLAY button             |
| <b>18</b> EDIT button           | <b>36</b> POWER button               |

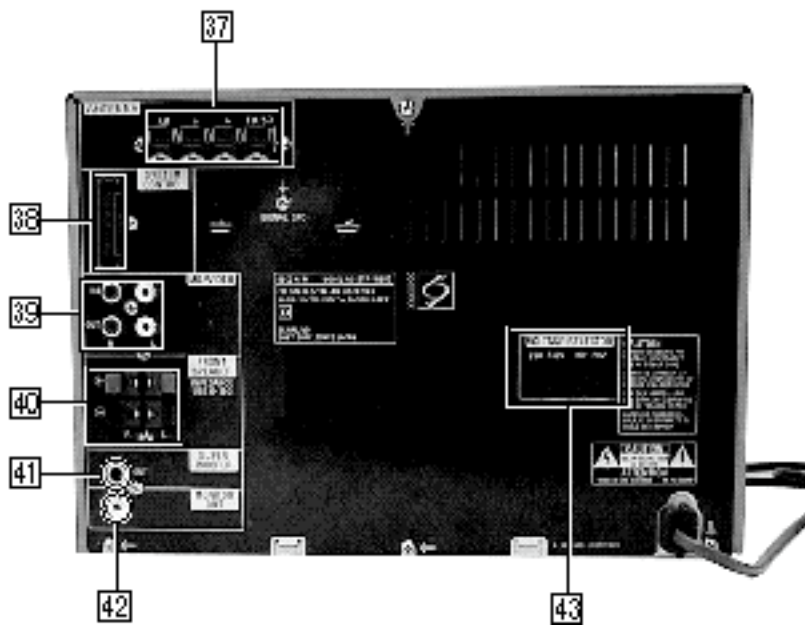


Photo : E MODEL

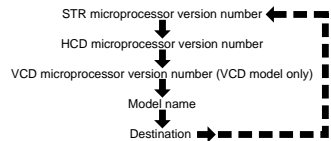
- 37 ANTENNA terminal
- 38 SYSTEM CONTROL
- 39 MD/VIDEO jack
- 40 FRONT SPEAKER terminal
- 41 SUPER WOOFER jack
- 42 MONITOR OUT jack
- 43 VOLTAGE SELECTOR switch  
(E, Saudi Arabia, Singapore, Malaysia, Hong Kong, Taiwan, Indonesian, Argentine, Tourist MODEL)

## SECTION 2 TEST MODE

### FL DISPLAY/KEY LED TEST MODE

Press the REPEAT, ENTER/NEXT and SURROUND buttons simultaneously.

- All FL segments and all LEDs turn on.
- To access the microprocessor information, press the P FILE key. Each pressing of the P FILE key advances the display on the FL tube in the following sequence.



- To check the encoder, press the MUSIC key. The following display appears on the FL tube.  
"K 0 J 0 V 0"

The number after K indicates the number of times that the key is pressed. The key which was pressed in the past, is not counted. The key which is pressed hereafter is counted. Pressing any key increases the number after K.

The number after J indicates the number of rotations that the JOG dial is rotated. Turning the JOG dial clockwise increases the number after J. Turning the JOG dial counter-clockwise decreases the number after J.

The number after V indicates the number of rotations that the VOLUME dial is rotated. Turning the VOLUME dial clockwise increases the number after V. Turning the VOLUME dial counter-clockwise decreases the number after V.

To exit this mode, perform the "Cold Reset" (reset clearing memory) as described below.

### GENERAL TEST MODE (INCLUDING AMPLIFIER AND TUNER)

Press the REPEAT, ENTER/NEXT and CLOCK TIMER SET buttons simultaneously while the main power is on.

- Sound volume display segment starts blinking.
- The tuning enters the PRESET mode.
- Rotating the VOLUME control clockwise increases the volume level to maximum.

Rotating the VOLUME control counter-clockwise decreases the volume level to minimum.

- Pressing the MUSIC key decreases the equalizer curve to minimum and "EQ CHECK" appears on the display.

Pressing the MOVIE key increases the equalizer curve to maximum.

- Pressing the GAME key makes the equalizer curve flat.

Pressing any of the DBFB, GROOVE or SURROUND key disappears "EQ CHECK" on the display.

To exit this mode, perform the "Cold Reset" (reset clearing memory) as described below.

### AGING MODE

- CD aging mode

To execute the CD aging, set the three discs to the CD tray and set the function to CD. REPEAT, ENTER/NEXT and LOOP buttons simultaneously. The CD aging mode starts and the disc calendar starts blinking.

- Tape aging mode

To execute the tape aging, set the two tapes to the tape A and B drives. Set the function to TAPE. Press the REPEAT, ENTER/NEXT and LOOP buttons simultaneously. Press the A forward key to start the tape aging mode. "AGING" appears on the display.

### CD SERVICE MODE

Turn on the main power. Press the REPEAT, ENTER/NEXT and KARAOKE PON/MPX buttons simultaneously. VACS toggles between ON and OFF.

### VACS LEVEL DISPLAY

Turn on the main power. Press the EDIT, ENTER/NEXT and KARAOKE PON/MPX buttons simultaneously. VACS level appears on the display.

### CD SHIP MODE

Turn on the main power. Press the PLAY MODE and POWER buttons simultaneously. The main power is turned off and LOCK appears on the display.

### TUNER STEP CHANGE

Turn on the main power. Set the function to TUNER. Select MW band from the present tuning.

Turn off the main power. Press the ENTER/NEXT and POWER buttons simultaneously. The main power is turned on and the changed step appears on the display.

### MD/VIDEO 1 FUNCTION CHANGE

Press the FUNCTION and POWER buttons simultaneously while the main power is on. When the function is set to VIDEO 1, the function is changed to MD and MD appears on the display. When the function is set to MD, the function is changed to VIDEO 1 and VIDEO 1 appears on the display.

### COLD RESET (Reset which clears memory.)

Press the REPEAT, ENTER/NEXT and DISPLAY buttons simultaneously at any time. The system is reset while clearing memory.

### HOT RESET

#### (Reset which does not clear memory.)

Press the REPEAT, ENTER/NEXT and TIMER SELECT buttons simultaneously at any time. The system is reset without clearing memory.

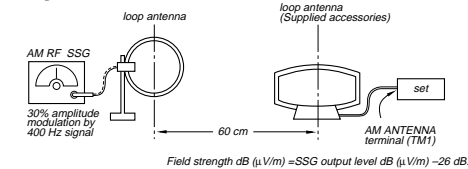
## SECTION 3 ELECTRICAL ADJUSTMENTS

(AEP, UK, East European, CIS model)

Note: As a front-end (FE1) is difficult to repair if faulty, replace it with new one.

### AM Section Adjustment

Setting:



### AM Tuned Level Adjustment

Band: AM or MW

Procedure:

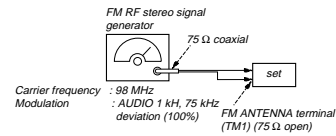
- Set the output of SSG so that the input level of the set becomes 55 dB.
- Tune the set to 999 kHz.
- Adjust RV41 to the point (moment) when the TUNED indicator will change from going off to going on.

Adjustment Location : TCB board

### FM Section Adjustment

Note: This adjustment should be performed after the AM Tuned Level Adjustment due to the same adjustment element.

Setting:



### FM Tuned Level Adjustment

Band: FM

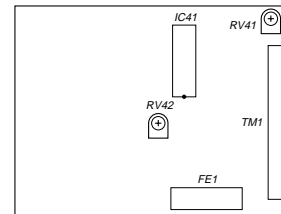
Procedure:

- Supply a 25 dB $\mu$  98 MHz signal from the ANTENNA terminal.
- Tune the set to 98 MHz.
- If the TUNED indicator does not light, adjust RV42 to the point (moment) when the TUNED indicator will change from going off to going on.

Adjustment Location: TCB board

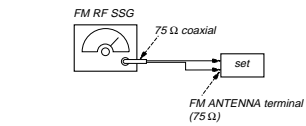
Adjustment Location:

[TCB BOARD] (Component Side)



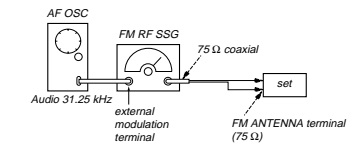
(East European, CIS model)

### FM Polar Adjustment



Connection 1:

Carrier frequency : 69 MHz  
Output level : 1mV (60dB $\mu$ ) (at 75  $\Omega$  open)  
Modulation : AUDIO 1 kHz, 10kHz deviation

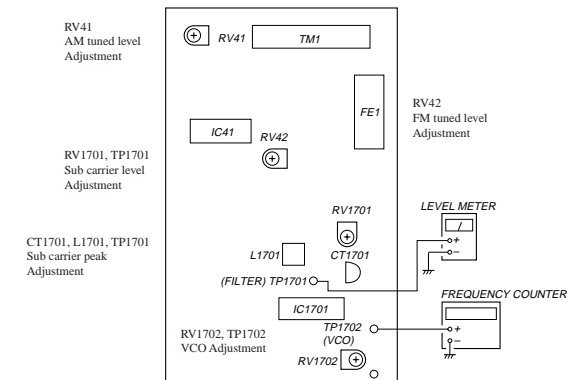


Connection 2:

Carrier frequency : 69 MHz  
Output level : 1mV (60 dB $\mu$ ) (at 75  $\Omega$  open)  
Modulation : AUDIO 31.25 kHz, 10 kHz deviation (EXTERNAL MODULATION)

Adjustment Location : (East European, CIS model)

[TCB BOARD] (Component Side)

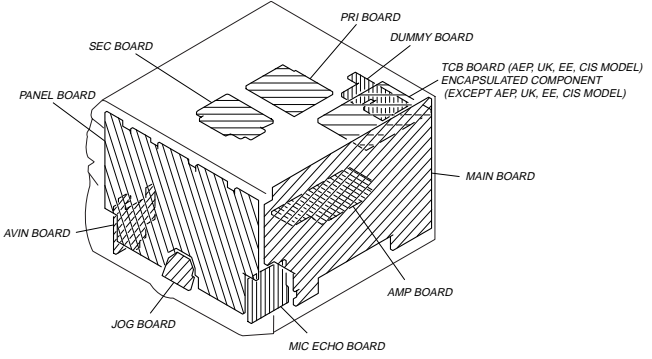


Procedure :

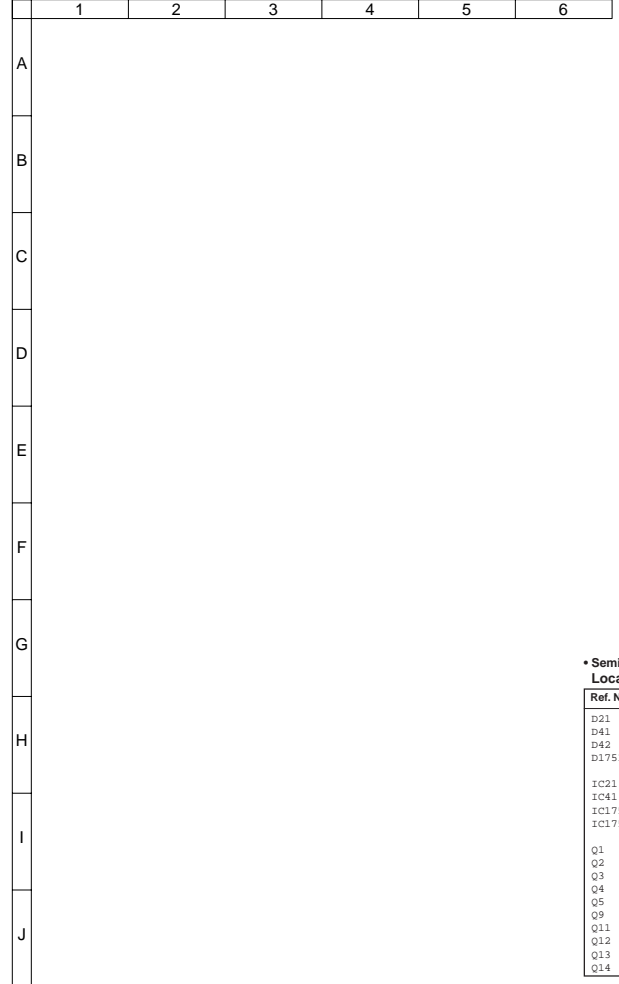
- Set the modulation of FM RF SSG to AUDIO 1 kHz, 10 kHz deviation according to "Connection 1".
- Tune the set to 69 MHz.
- Adjust the RV1702 so that the reading of frequency counter connected to TP1702 becomes within 31.25 kHz  $\pm$  0.05 kHz (VCO adjustment)
- Then record the reading of the level meter connected to TP1701
- Set the modulation of FM RF SSG to AUDIO 31.25 kHz, 10 kHz deviation according to "Connection 2".
- Tune the set to 69 MHz.
- Set the CT1701 to be mechanical center.
- Adjust the L1701 so that the reading of the level meter connected to TP1701 becomes maximum.
- Then adjust the CT1701 so that the reading of the level meter connected to TP1701 becomes maximum. (SUB CARRIER PEAK Adjustment)
- Adjust the RV1701 so that the level at the moment becomes 14dB higher value than the level recorded in step 4. (SUB CARRIER LEVEL Adjustment)

**SECTION 4  
DIAGRAMS**

4-1. CIRCUIT BOARDS LOCATION



4-2. PRINTED WIRING BOARD — TUNER SECTION —  
(AEP, UK)

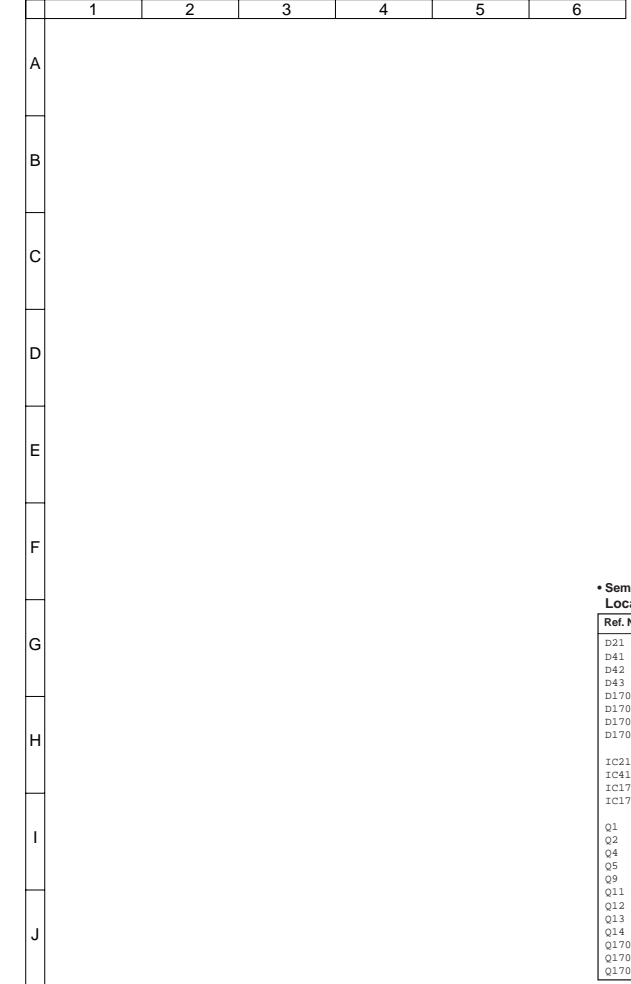


**• Semiconductor Location**

Ref. No.	Location
D21	G-2
D41	G-3
D42	H-5
D1751	I-4
IC21	G-2
IC41	E-4
IC1751	I-2
IC1752	I-4
Q1	F-2
Q2	F-2
Q3	E-3
Q4	E-2
Q5	E-3
Q9	D-2
Q11	C-4
Q12	B-4
Q13	B-3
Q14	B-3

**Note:**  
 • :parts extracted from the component side.  
 • :parts on the side which is seen.

(East European, CIS)



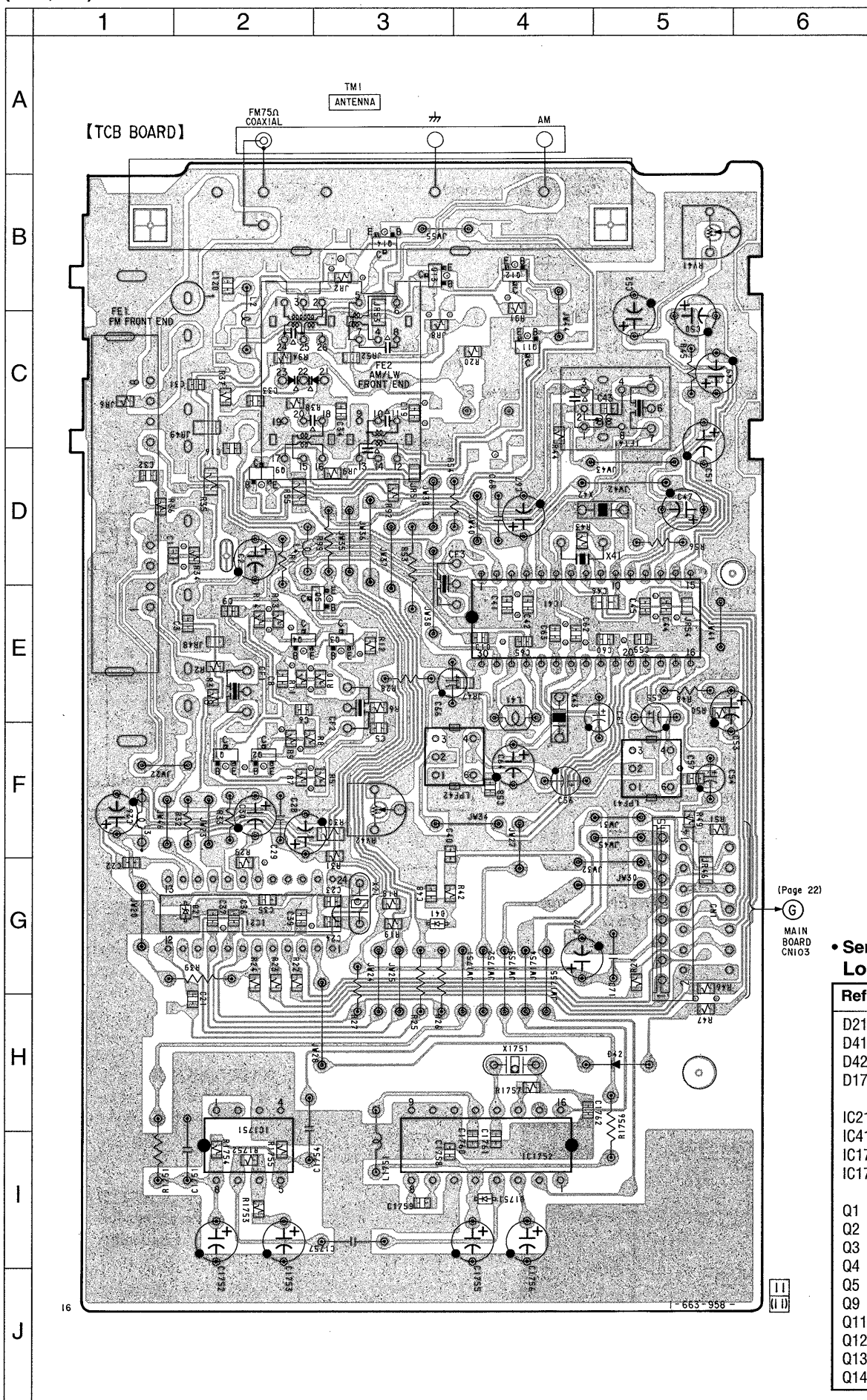
**• Semiconductor Location**

Ref. No.	Location
D21	G-2
D41	G-4
D42	H-5
D43	H-5
D1701	J-4
D1702	J-4
D1703	H-4
D1704	J-4
IC21	G-3
IC41	E-5
IC1701	I-3
IC1702	I-3
Q1	F-3
Q2	F-3
Q4	E-3
Q5	E-3
Q9	D-3
Q11	C-5
Q12	B-5
Q13	B-4
Q14	B-4
Q1701	I-3
Q1702	I-4
Q1703	J-4

**Note:**  
 • :parts extracted from the component side.  
 • :parts on the side which is seen.

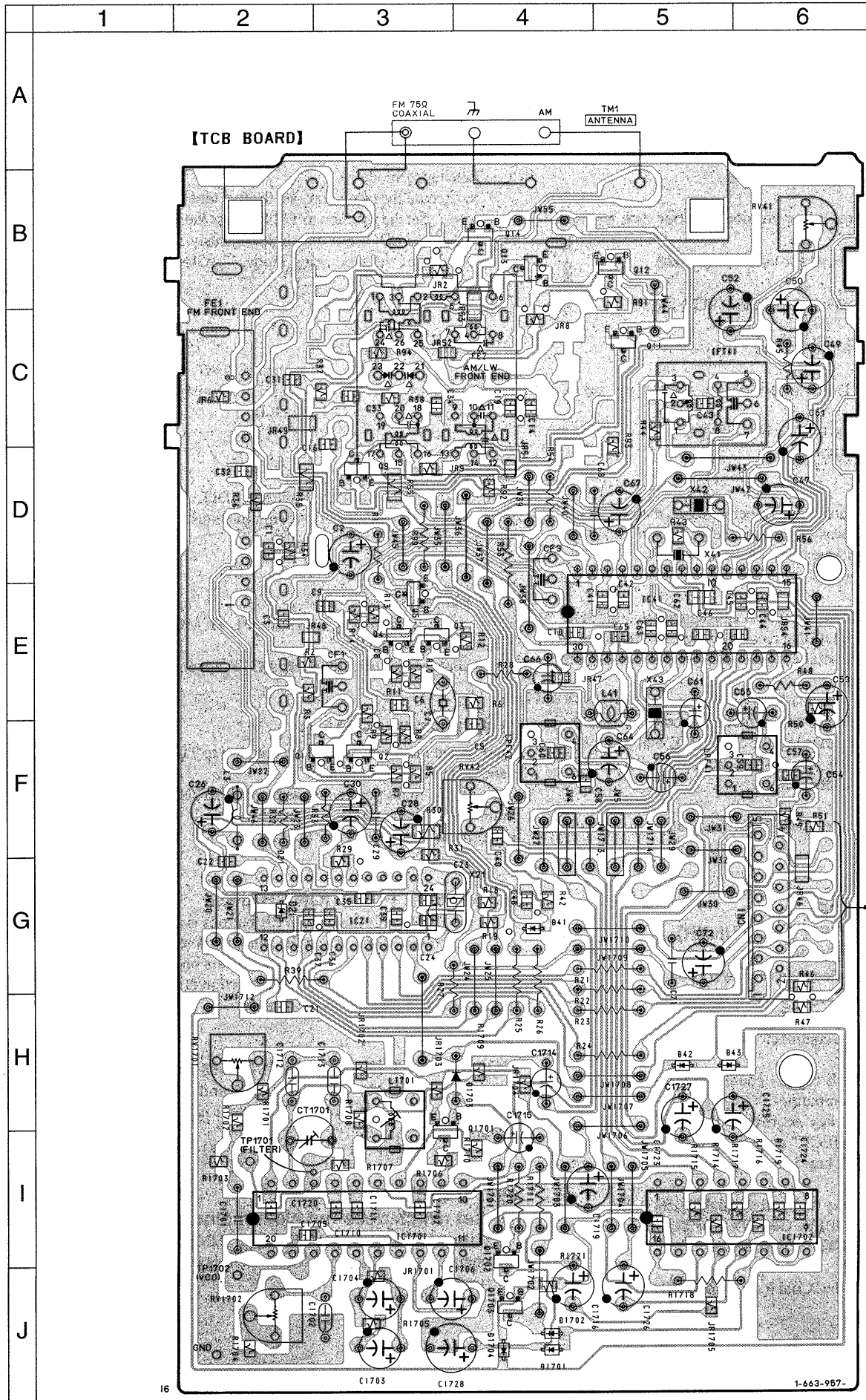


4-2. PRINTED WIRING BOARD — TUNER SECTION —  
(AEP, UK)



**Note:**

- — : parts extracted from the component side.
- — : parts on the side which is seen.



• Semiconductor Location

Ref. No.	Location
D21	G-2
D41	G-4
D42	H-5
D43	H-5
D1701	J-4
D1702	J-4
D1703	H-4
D1704	J-4
IC21	G-3
IC41	E-5
IC1701	I-3
IC1702	I-3
Q1	F-3
Q2	F-3
Q4	E-3
Q5	E-3
Q9	D-3
Q11	C-5
Q12	B-5
Q13	B-4
Q14	B-4
Q1701	I-3
Q1702	I-4
Q1703	J-4

(Page 22)

⑥  
MAIN BOARD  
CN103

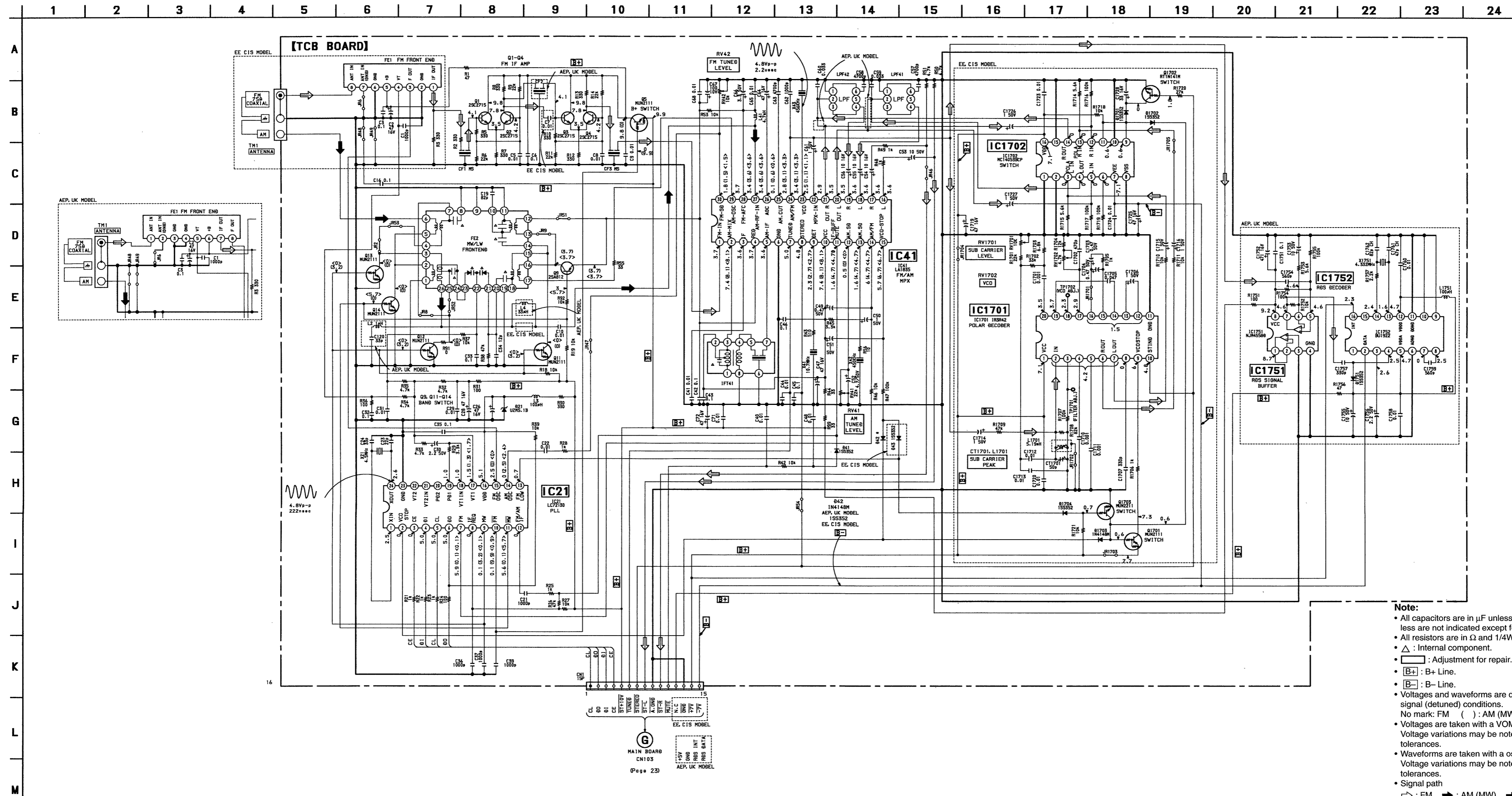
11  
(11)

Note:

- — : parts extracted from the component side.
- : parts on the side which is seen.



4-3. SCHEMATIC DIAGRAM — TUNER SECTION —



**Note:**

- All capacitors are in  $\mu\text{F}$  unless otherwise noted. pF:  $\mu\text{F}$  50WV or less are not indicated except for electrolytics and tantalums.
- All resistors are in  $\Omega$  and 1/4W or less unless otherwise specified.
- $\Delta$  : Internal component.
- $\square$  : Adjustment for repair.
- $\text{B}+$  : B+ Line.
- $\text{B}-$  : B- Line.
- Voltages and waveforms are dc with respect to ground under no-signal (detuned) conditions.
- No mark: FM ( ) : AM (MW, SW) < > : LW
- Voltages are taken with a VOM (Input impedance 10M $\Omega$ ). Voltage variations may be noted due to normal production tolerances.
- Waveforms are taken with an oscilloscope. Voltage variations may be noted due to normal production tolerances.
- Signal path

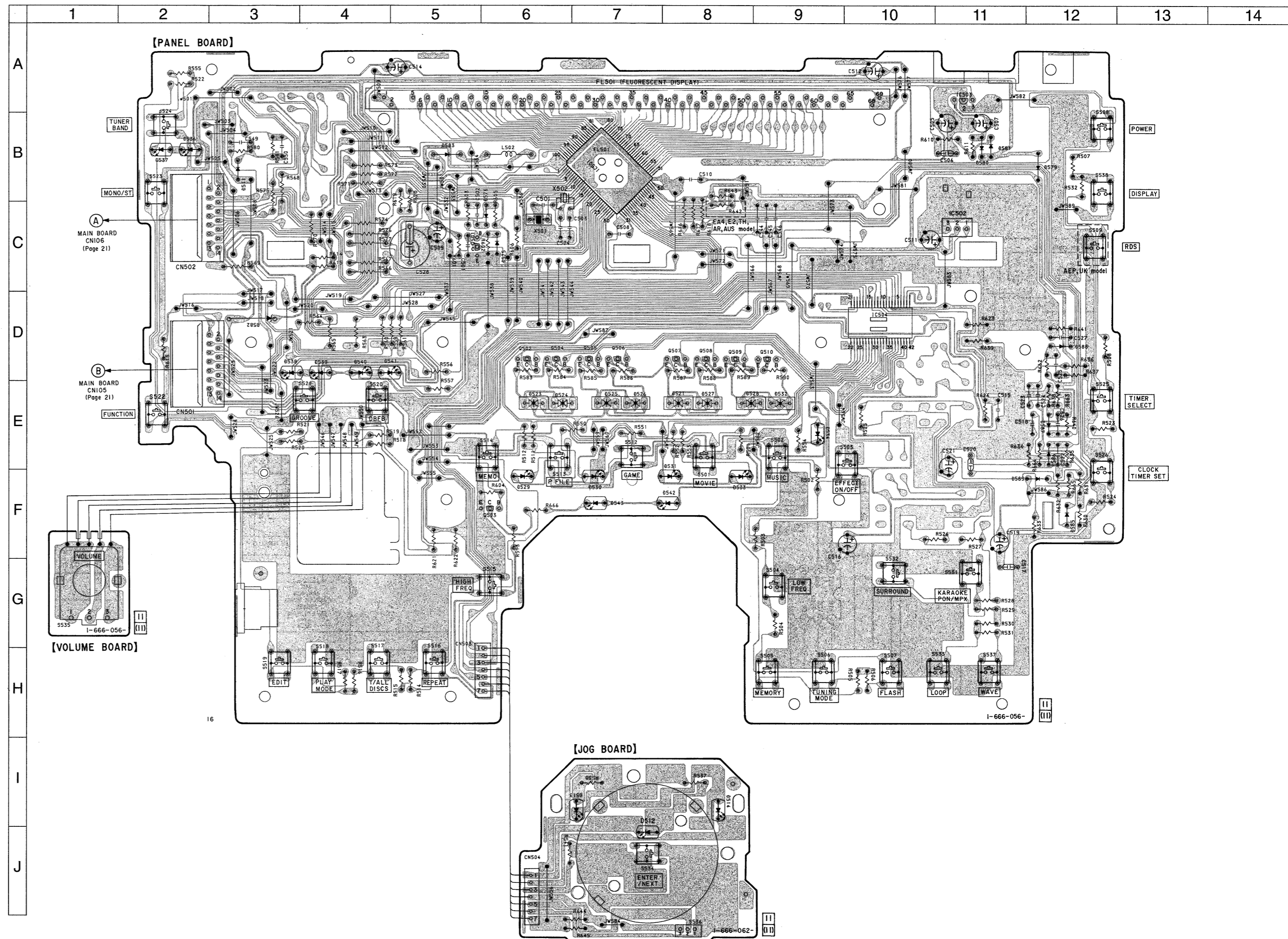
$\square$  : FM  $\rightarrow$  : AM (MW)  $\rightarrow$  : SW

• Semiconductor Location

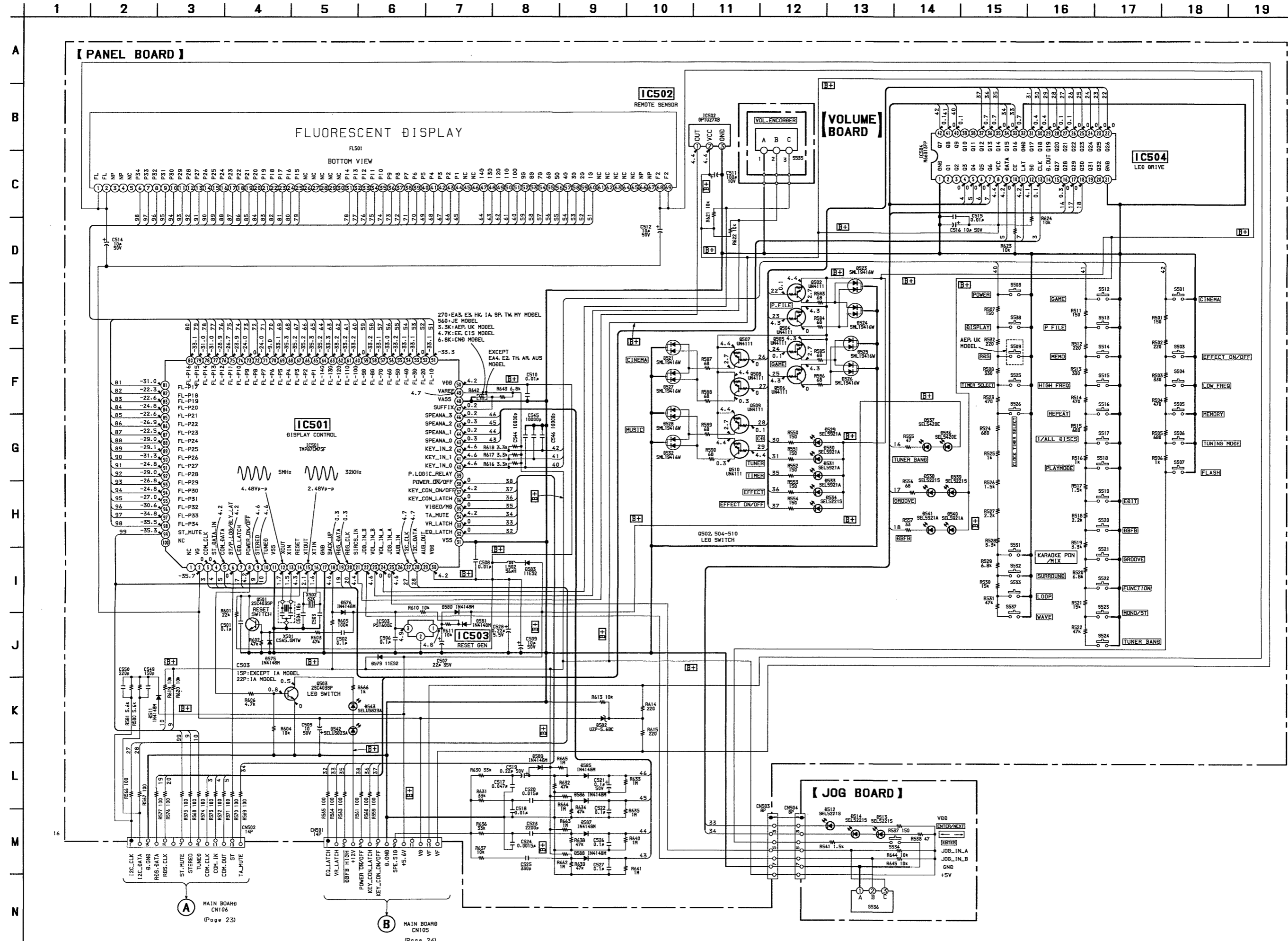
Ref. No.	Location
D511	B-3
D512	J-7
D513	I-7
D514	I-8
D521	E-8
D523	E-6
D524	E-6
D525	E-7
D526	E-7
D527	E-8
D528	E-9
D529	F-6
D530	F-7
D531	F-8
D532	E-9
D533	F-8
D534	E-9
D536	B-2
D537	B-2
D538	D-3
D539	D-4
D540	D-4
D541	D-4
D542	F-8
D543	F-7
D575	C-6
D576	C-6
D579	B-12
D580	B-11
D581	B-11
D582	D-3
D583	B-5
D585	F-12
D586	E-12
D587	E-12
D588	D-12
D589	F-12
IC501	B-7
IC503	A-11
IC504	D-10
Q501	C-5
Q502	D-6
Q503	F-6
Q504	D-6
Q505	D-7
Q506	D-7
Q507	D-8
Q508	D-8
Q509	D-8
Q510	D-9

Note:

- : parts extracted from the component side.
- : parts on the side which is seen.
- Abbreviations  
 TH : Thai                      AR : Argentine              AUS : Australian  
 EA4 : Israel                    E2 : Tuner sections SW band do not exist.



4-5. SCHEMATIC DIAGRAM — PANEL SECTION —



**Note:**

- All capacitors are in  $\mu\text{F}$  unless otherwise noted. pF:  $\mu\mu\text{F}$  50WV or less are not indicated except for electrolytics and tantalums.
- All resistors are in  $\Omega$  and 1/4W or less unless otherwise specified.
- $\Delta$  : Internal component.
- $\boxed{\text{B+}}$  : B+ Line.
- Voltages and waveforms are dc with respect to ground under no-signal (detuned) conditions.  
No mark: FM
- Voltages are taken with a VOM (Input impedance 10M $\Omega$ ).  
Voltage variations may be noted due to normal production tolerances.
- Waveforms are taken with a oscilloscope.  
Voltage variations may be noted due to normal production tolerances.
- Abbreviations
 

TH : Thai	SP : Singapore	AR : Argentine
HK : HongKong	EA3 : Saudi Arabia	AUS : Australian
TW : Taiwan	EA4 : Israel	MY : Malaysia
IA : Indonesian	JE : Tourist	CND : Canadian
EE : East European		
E2 : Tuner sections SW band do not exist.		
E3 : Tuner sections SW band exist.		

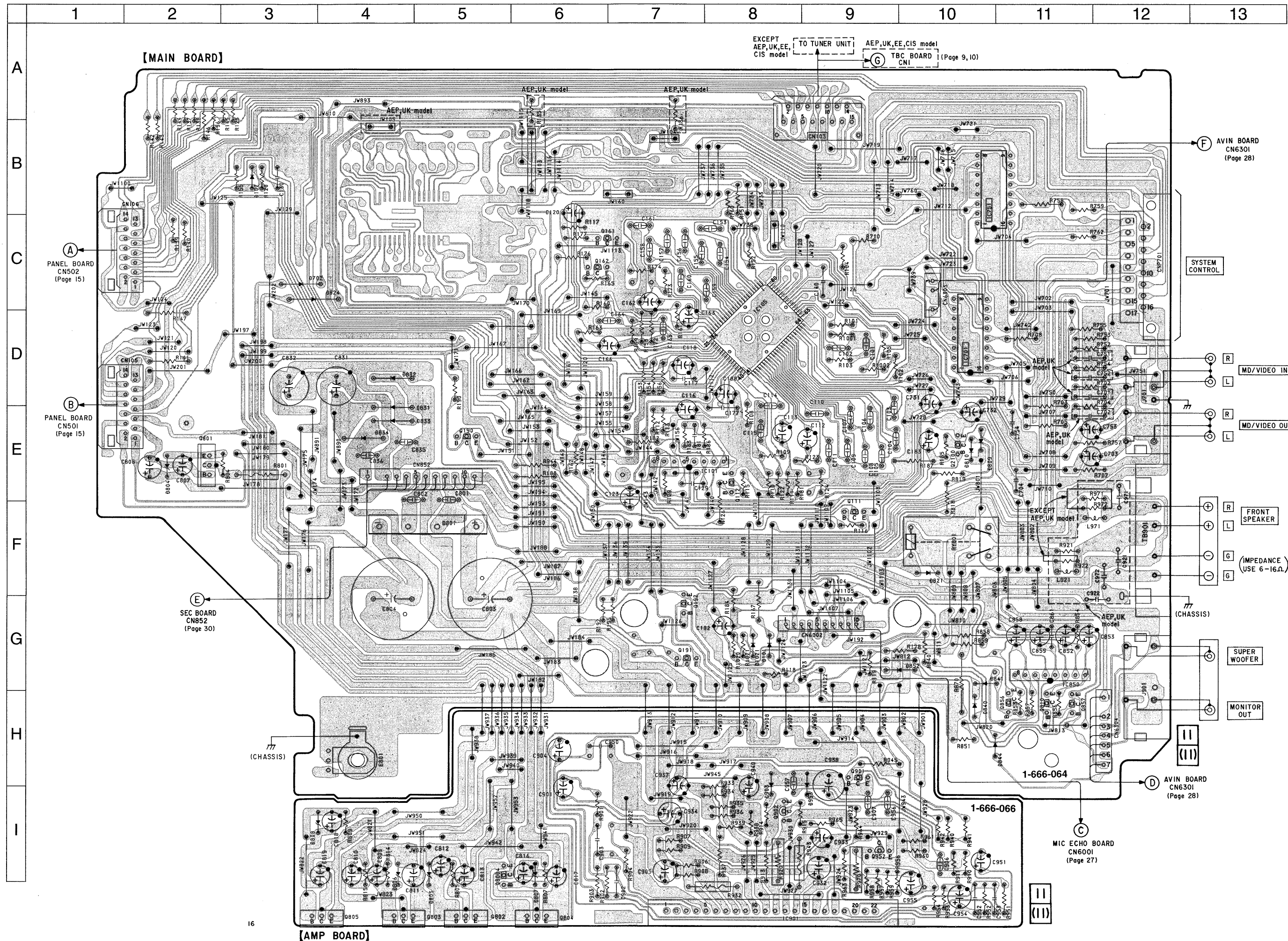


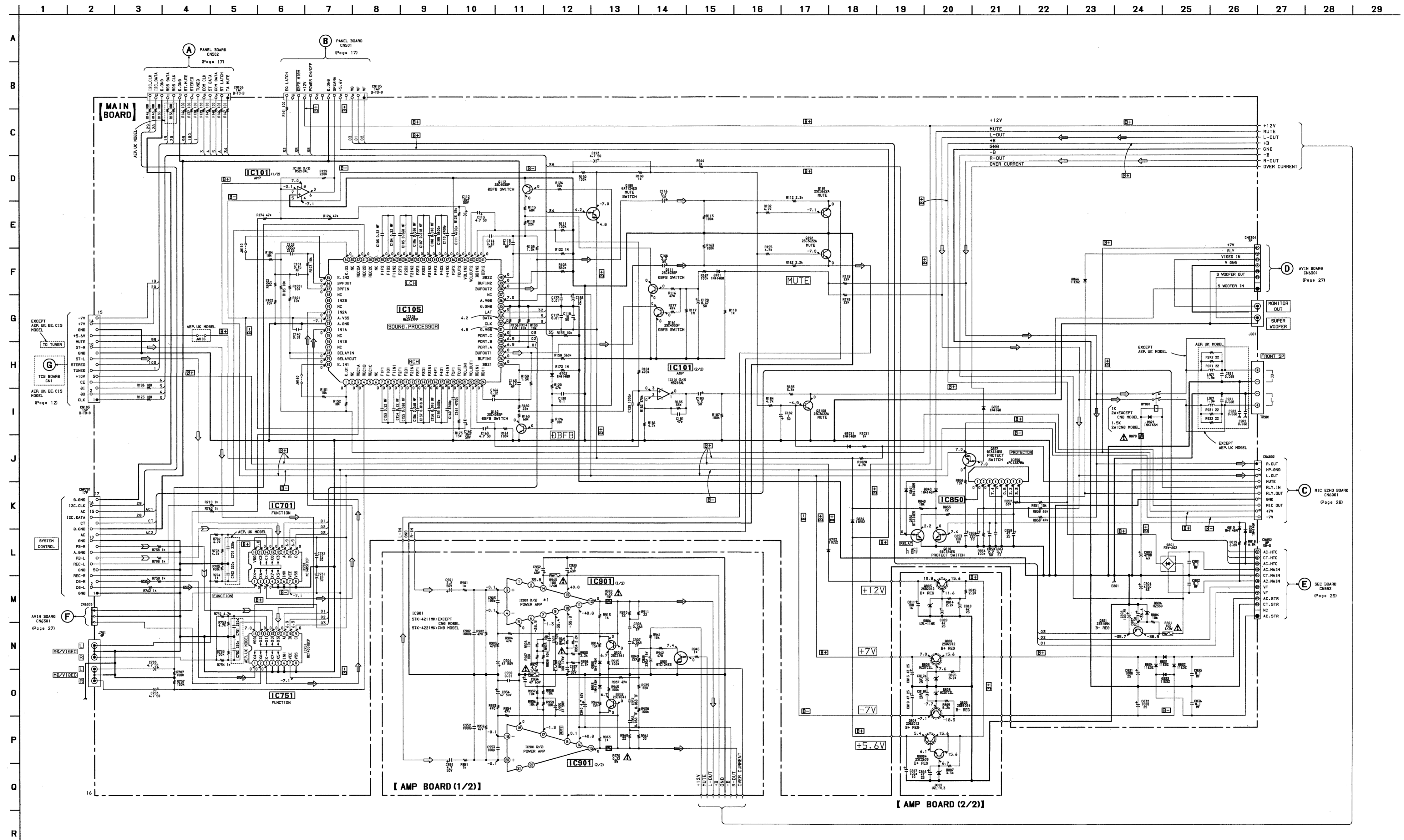
• Semiconductor Location

Ref. No.	Location
D101	G-8
D102	B-3
D702	C-3
D801	F-5
D804	E-2
D805	I-5
D806	I-4
D807	I-6
D808	I-4
D809	E-10
D810	E-10
D821	F-10
D824	C-3
D831	D-4
D832	D-4
D833	E-4
D834	E-4
D840	H-10
D841	G-10
D844	H-10
D852	G-9
D903	H-8
D953	H-9
D1021	G-8
IC101	E-7
IC105	D-8
IC701	D-10
IC751	B-10
IC850	G-11
IC901	J-8
Q111	F-9
Q112	E-8
Q161	C-6
Q162	C-6
Q190	E-5
Q191	G-7
Q192	G-7
Q801	E-2
Q802	J-5
Q803	J-4
Q804	J-6
Q805	J-4
Q810	H-11
Q856	H-11
Q857	H-11
Q901	H-9
Q902	I-8
Q952	I-9
Q2100	E-10
Q8004	I-5

Note:

- — : parts extracted from the component side.
- — : parts on the side which is seen.
- Abbreviation  
EE : East European





**Note:**

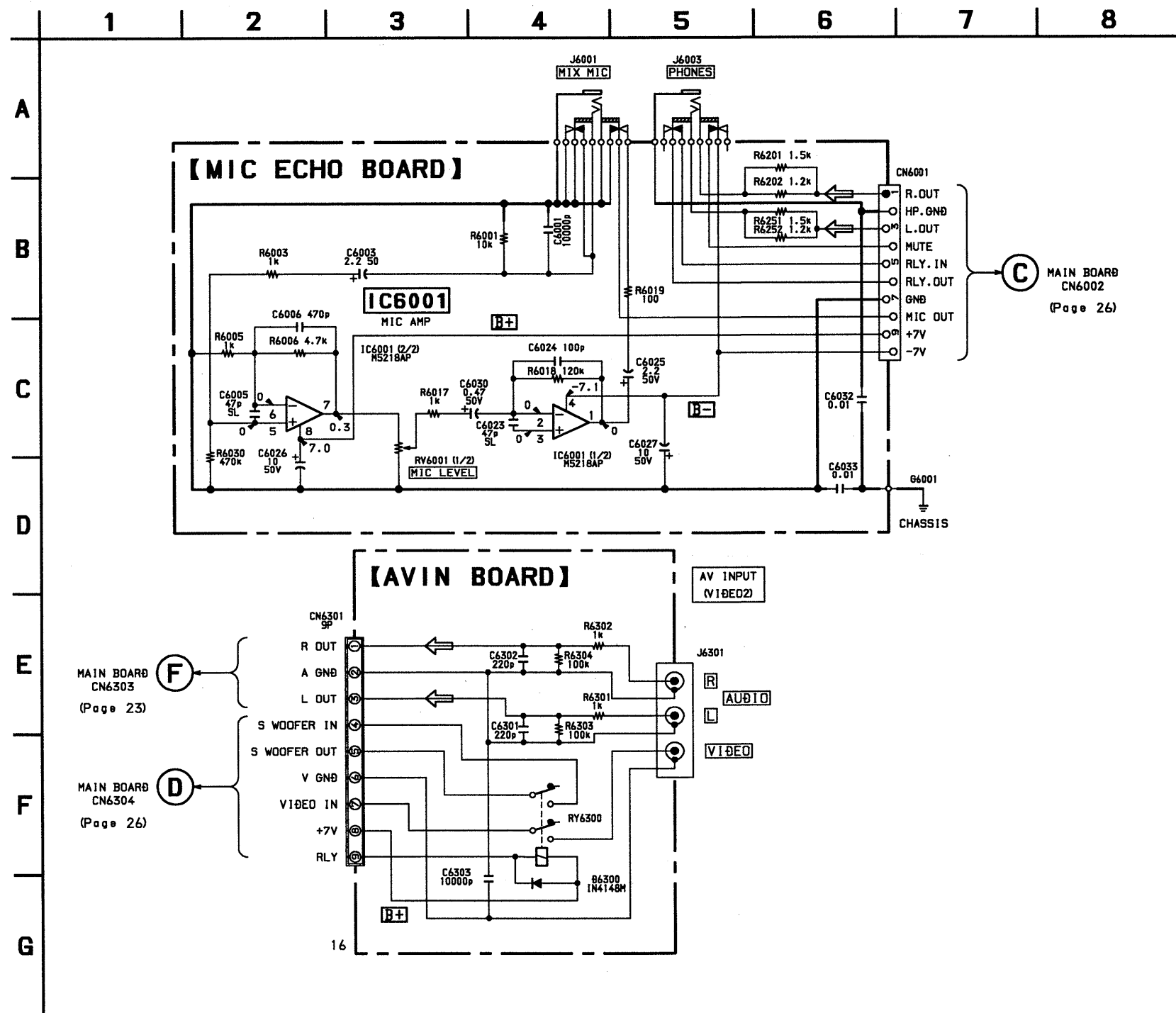
- All capacitors are in  $\mu\text{F}$  unless otherwise noted. pF:  $\mu\text{F}$  50WV or less are not indicated except for electrolytics and tantalums.
- All resistors are in  $\Omega$  and 1/4W or less unless otherwise specified.
- $\Delta$ : Internal component.
- [B+]: B+ Line.
- [B-]: B- Line.
- Voltages and waveforms are dc with respect to ground under no-signal (detuned) conditions.
- No mark: FM
- Voltages are taken with a VOM (input impedance 10M $\Omega$ ). Voltage variations may be noted due to normal production tolerances.
- Waveforms are taken with an oscilloscope. Voltage variations may be noted due to normal production tolerances.
- Abbreviation  
EE: East European CND: Canadian

The components identified by mark  $\Delta$  or dotted line with mark  $\Delta$  are critical for safety. Replace only with part number specified.

Les composants identifiés par une marque  $\Delta$  sont critiques pour la sécurité. Ne les remplacer que par une pièce portant le numéro spécifié.

• Signal path  
 ⇨ : TUNER/AUDIO  
 ⇨ : PB  
 ⇨ : CD





**Note: (Schematic Diagram)**

- All capacitors are in  $\mu\text{F}$  unless otherwise noted. pF:  $\mu\text{F}$  50WV or less are not indicated except for electrolytics and tantalums.
- All resistors are in  $\Omega$  and 1/4W or less unless otherwise specified.
- $\Delta$ : Internal component.
- $\square$ : B+ Line.
- $\square$ : B- Line.
- Voltages and waveforms are dc with respect to ground under no-signal (detuned) conditions.
- No mark: FM
- Voltages are taken with a VOM (Input impedance 10M $\Omega$ ).
- Voltage variations may be noted due to normal production tolerances.
- Signal path
- $\rightarrow$ : AUDIO

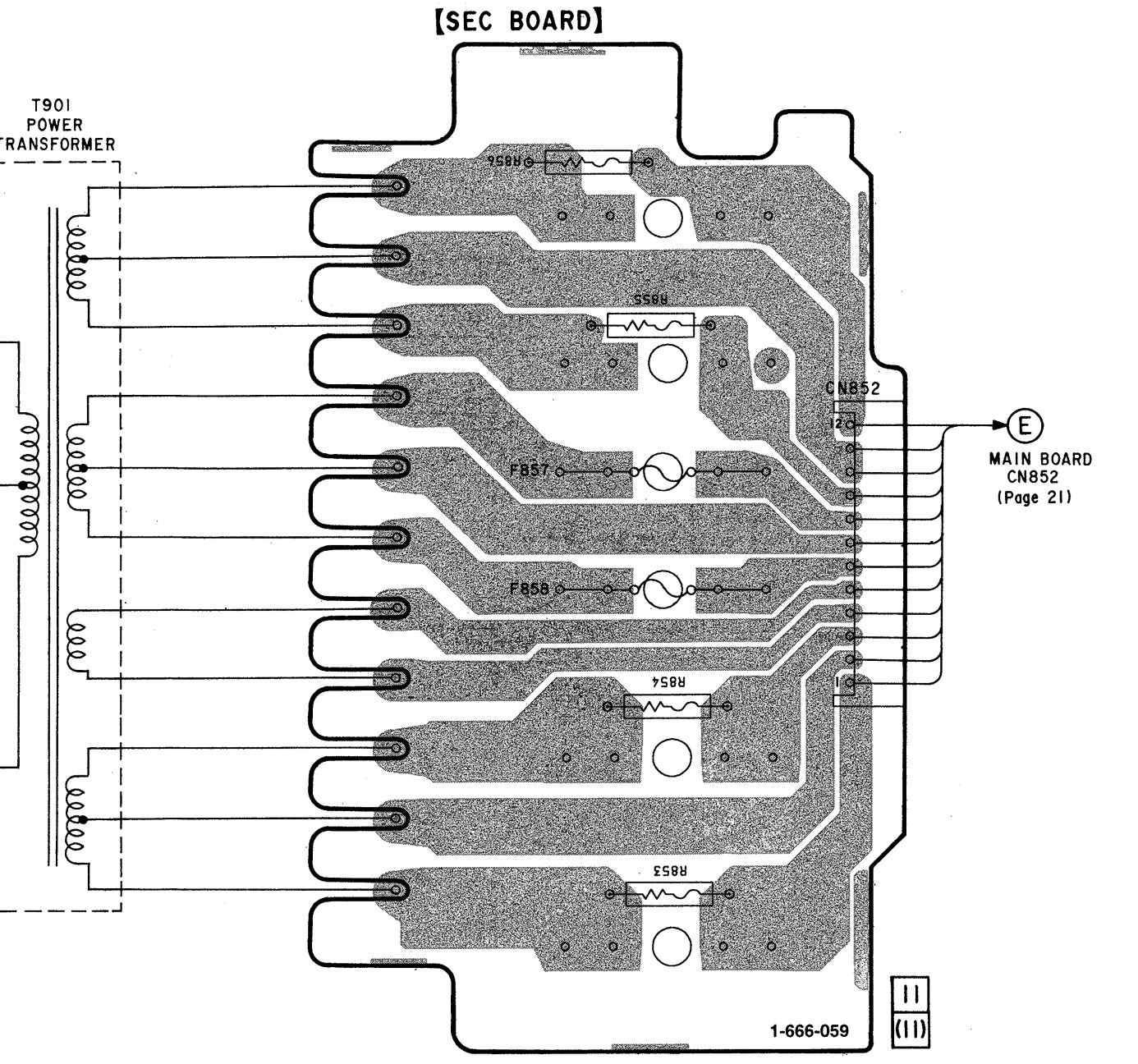
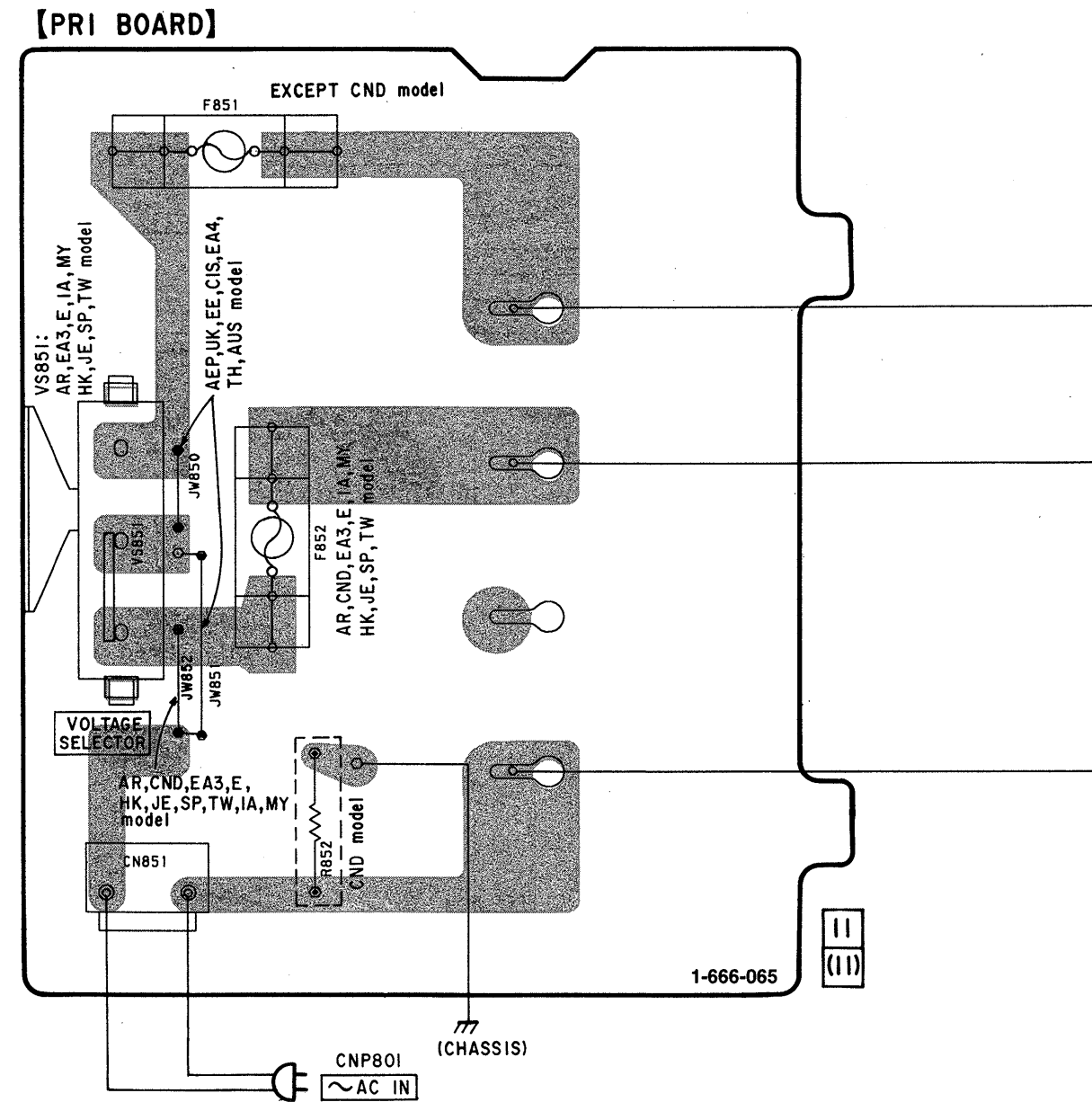
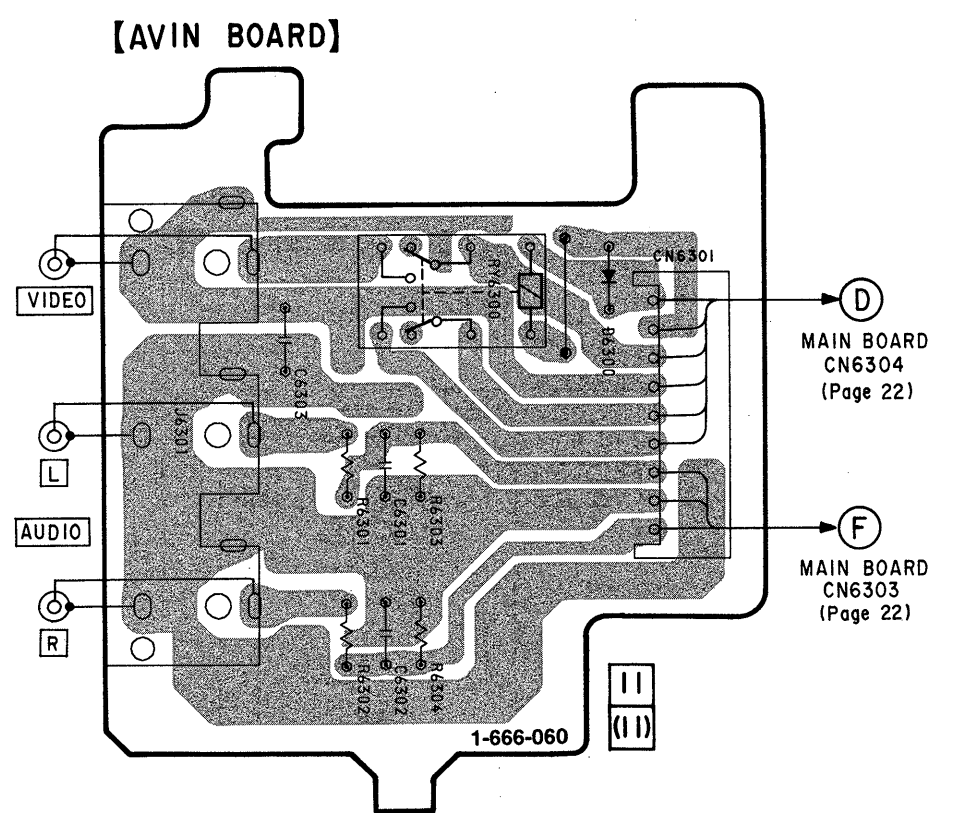
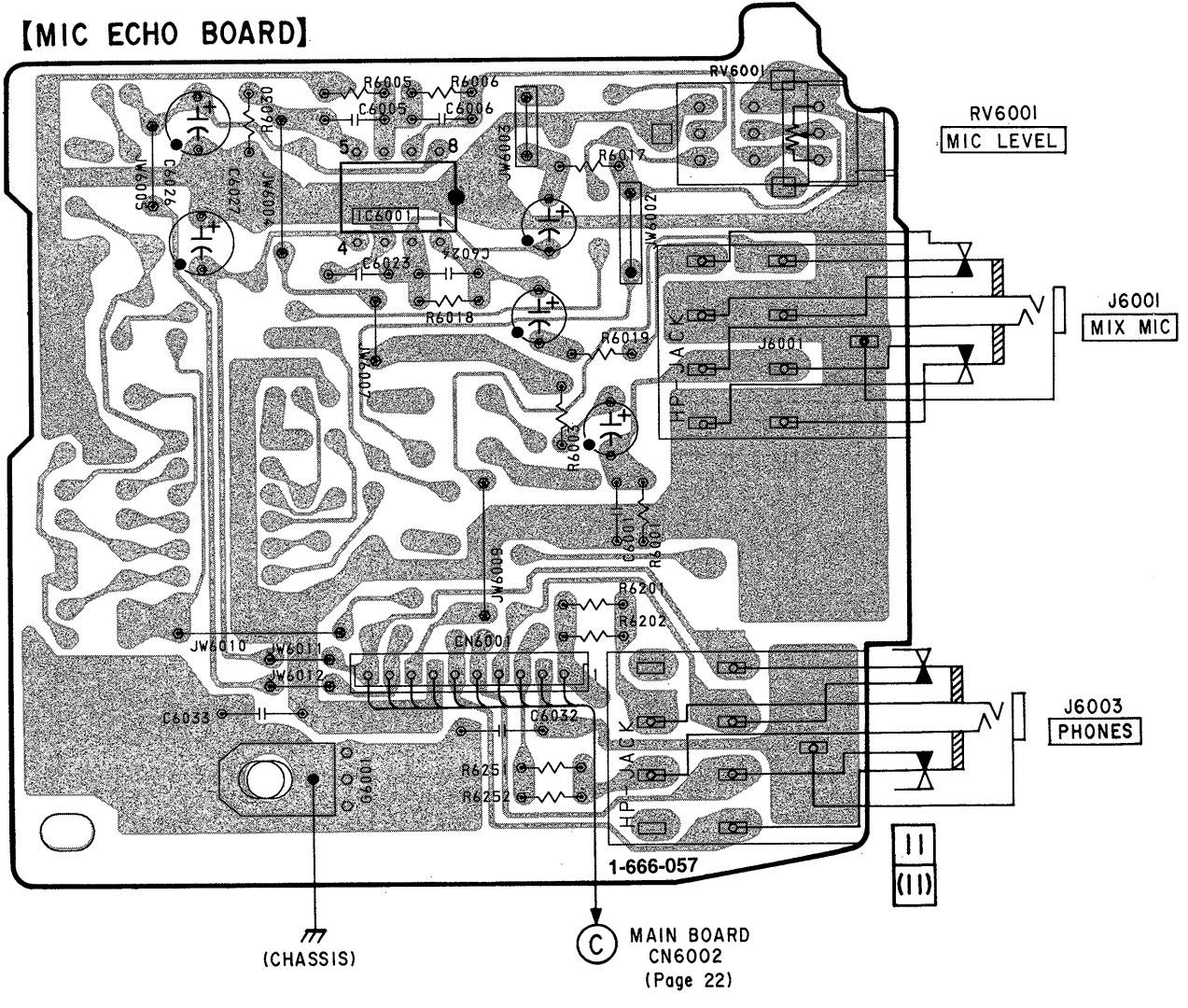
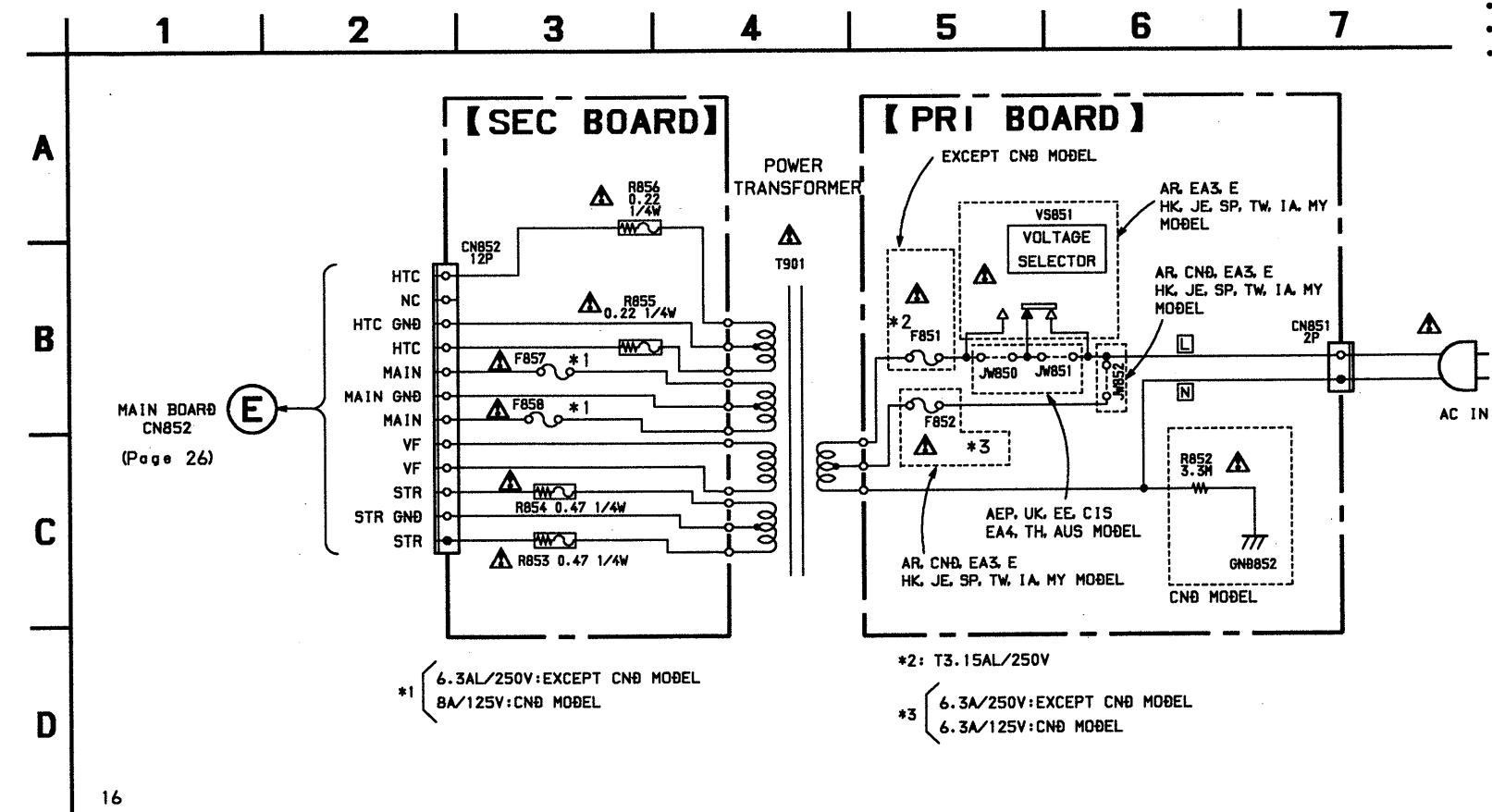
The components identified by mark  $\Delta$  or dotted line with mark  $\Delta$  are critical for safety. Replace only with part number specified.

Les composants identifiés par une marque  $\Delta$  sont critiques pour la sécurité. Ne les remplacer que par une pièce portant le numéro spécifié.

**Note: (Printed Wiring Board)**

- Parts extracted from the component side.
- Parts on the side which is seen.
- Abbreviations

TH : Thai	SP : Singapore	AR : Argentine
HK : HongKong	EA3 : Saudi Arabia	AUS : Australian
TW : Taiwan	EA4 : Israel	MY : Malaysia
IA : Indonesian	JE : Tourist	CND : Canadian
EE : East European		
E2 : Tuner sections SW band do not exist.		
E3 : Tuner sections SW band exist.		



#### 4-9. IC PIN FUNCTION

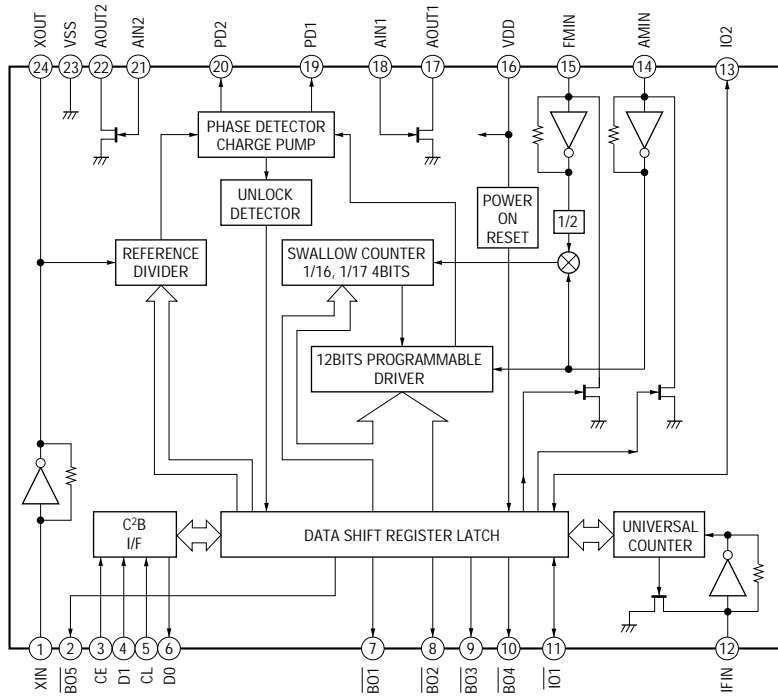
##### • IC501 TMP87CM75F-6608 (DISPLAY CONTROL)

Pin No.	Pin Name	I/O	Description
1	NC	—	Not used
2	VG	—	POWER SUPPLY FOR VFT DRIVER
3	COM CLK	O	Transfer clock output serial data
4	ST DATA IN	I	Serial data input
5	COM DATA	O	Serial data output
6	ST CE	O	Chip enable output
7	LED LAT	O	Latch output to IC504
8	POWER ON/OFF	O	H : D542, D543 ON
9	STEREO	I	Stereo signal input
10	TUNED	I	Tuned signal input
11	V <sub>SS</sub>	—	Power supply (Ground)
12	X OUT	O	Oscillator connection terminal (8MHz)
13	X IN	I	Oscillator connection terminal (8MHz)
14	RESET	I	Reset signal input terminal
15	XT OUT	O	Oscillator connection terminal (32.768kHz)
16	XT IN	I	Oscillator connection terminal (32.768kHz)
17	GND	—	Not used (Ground)
18	BACK UP	I	AC Power supply off
19	RDS DATA	I	RDS DATA input (European model only)
20	RDS CLK	I	RDS clock input (European model only)
21	SIRCS IN	I	SIRCS signal input
22	JOG IN B	I	JOG dial encoder input
23	VOL IN B	I	Volum encoder input
24	VOL IN A	I	Volum encoder input
25	JOG IN A	I	JOG dial encoder input
26	AUB IN	—	Not used
27	I2C CLK	I/O	I2C clock I/O
28	I2C DATA	I/O	I2C data I/O
29	AUB OUT	—	Not used
30	V <sub>DD</sub>	—	Power supply (5V)
31	V <sub>SS</sub>	—	Power supply (Ground)
32	EQ LAT	O	Latch output to IC105
33	VR LAT	O	Latch output to IC2002
34	TA MUTE	O	Mute output to transistor L : Mute ON
35	VIDEO MD	O	DBFB level control output L : DBFB HIGH
36	KEY CON LAT	O	Latch output to IC6003
37	KEY CON ON/OFF	O	H : Key con ON
38	POWER ON/OFF	O	L : SP relay ON
39	P LOG RELAY	—	Not used
40	KEY IN 0	I	Key data input (A/D converter)
41	KEY IN 1	I	Key data input (A/D converter)
42	KEY IN 2	I	Key data input (A/D converter)
43	SPEANA 0	I	Spectrum analyzer signal input
44	SPEANA 1	I	Spectrum analyzer signal input
45	SPEANA 2	I	Spectrum analyzer signal input
46	SPEANA 3	I	Spectrum analyzer signal input
47	SUFFIX	I	Input for model select
48	V <sub>ASS</sub>	—	Power supply for analog (Ground)
49	V <sub>AREF</sub>	—	Power supply (+5V)
50	V <sub>DD</sub>	—	Power supply (Ground)

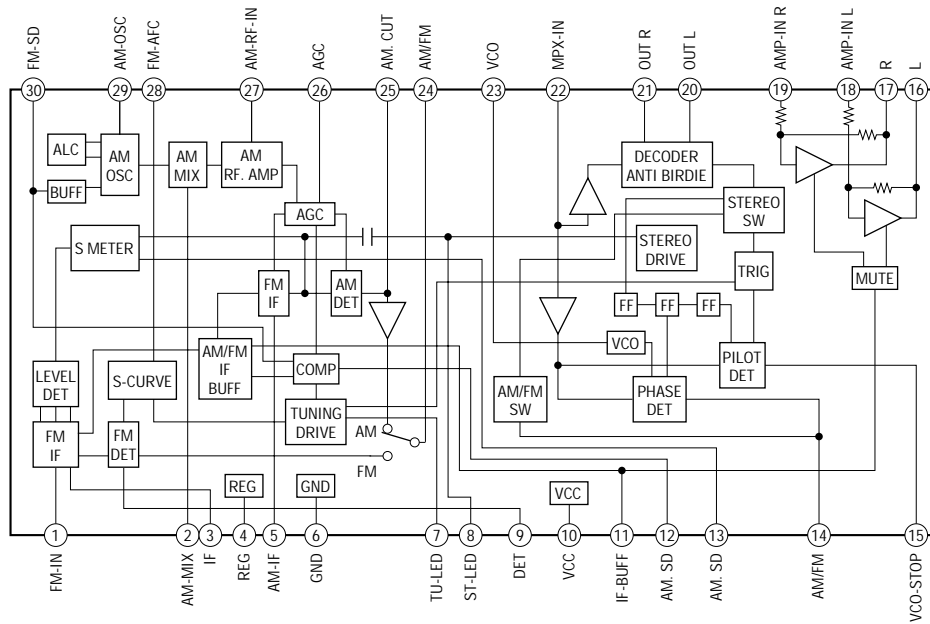
Pin No.	Pin Name	I/O	Description	
51	FL-1G	O	}	
52	FL-2G	O		
53	FL-3G	O		
54	FL-4G	O		
55	FL-5G	O		
56	FL-6G	O		
57	FL-7G	O		} Grid output to FL501
58	FL-8G	O		
59	FL-9G	O		}
60	FL-10G	O		
61	FL-11G	O		
62	FL-12G	O		
63	FL-13G	O		
64	FL-14G	O	}	
65	FL-P1	O		
66	FL-P2	O		
67	FL-P3	O		
68	FL-P4	O		
69	FL-P5	O		
70	FL-P6	O		
71	FL-P7	O		
72	FL-P8	O		
73	FL-P9	O		
74	FL-P10	O		
75	FL-P11	O		
76	FL-P12	O		
77	FL-P13	O		
78	FL-P14	O		
79	FL-P15	O		
80	FL-P16	O		} Segment output to FL501
81	FL-P17	O		
82	FL-P18	O		
83	FL-P19	O		
84	FL-P20	O		
85	FL-P21	O		
86	FL-P22	O		
87	FL-P23	O		
88	FL-P24	O		
89	FL-P25	O		
90	FL-P26	O		
91	FL-P27	O		
92	FL-P28	O		
93	FL-P29	O		
94	FL-P30	O	}	
95	FL-P31	O		
96	FL-P32	O		
97	FL-P33	O		
98	FL-P34	O		
99	ST MUTE	O	H : MUTE      L : Signal Receiving	
100	NC	—	Not used	

## 4-10. IC BLOCK DIAGRAMS

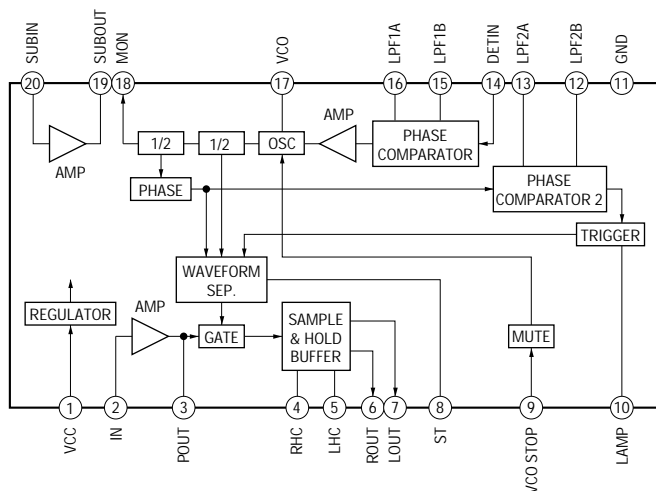
**IC21 LC72130**



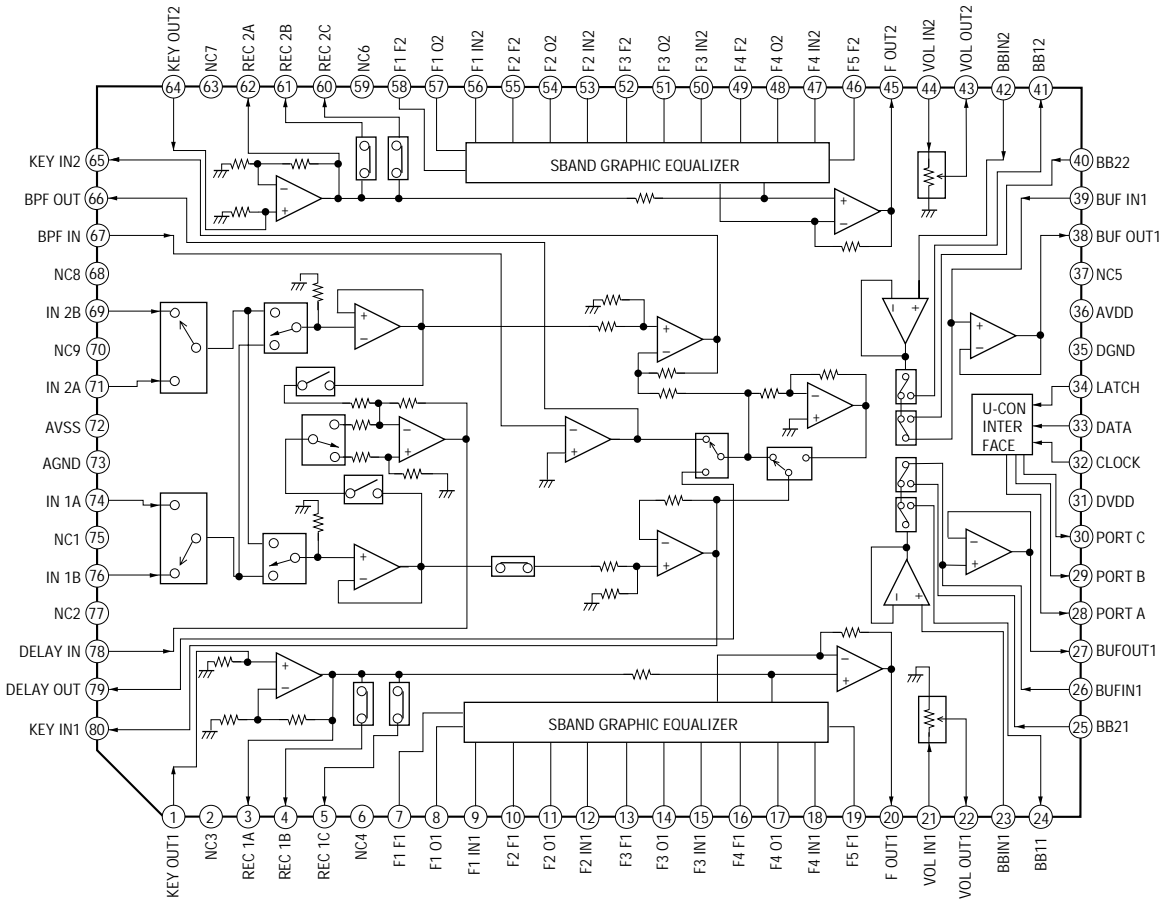
**IC41 LA1835**



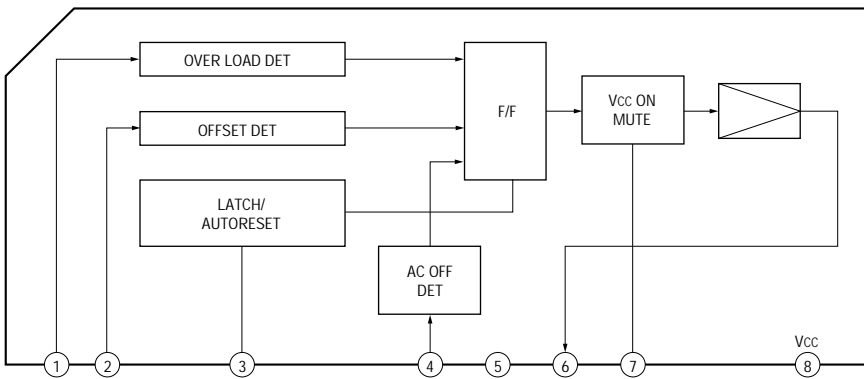
**IC1701 IR3R42**



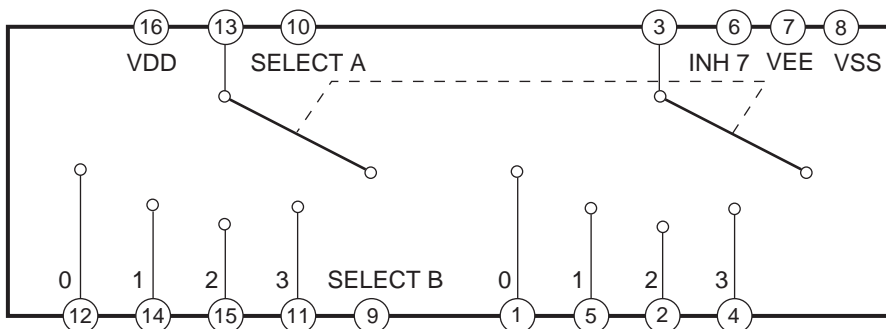
**IC105 M62427FP-A**



**IC850  $\mu$ PC1237HA**



**IC1702 MC14053BCP**



## SECTION 5 EXPLODED VIEWS

**Note:**

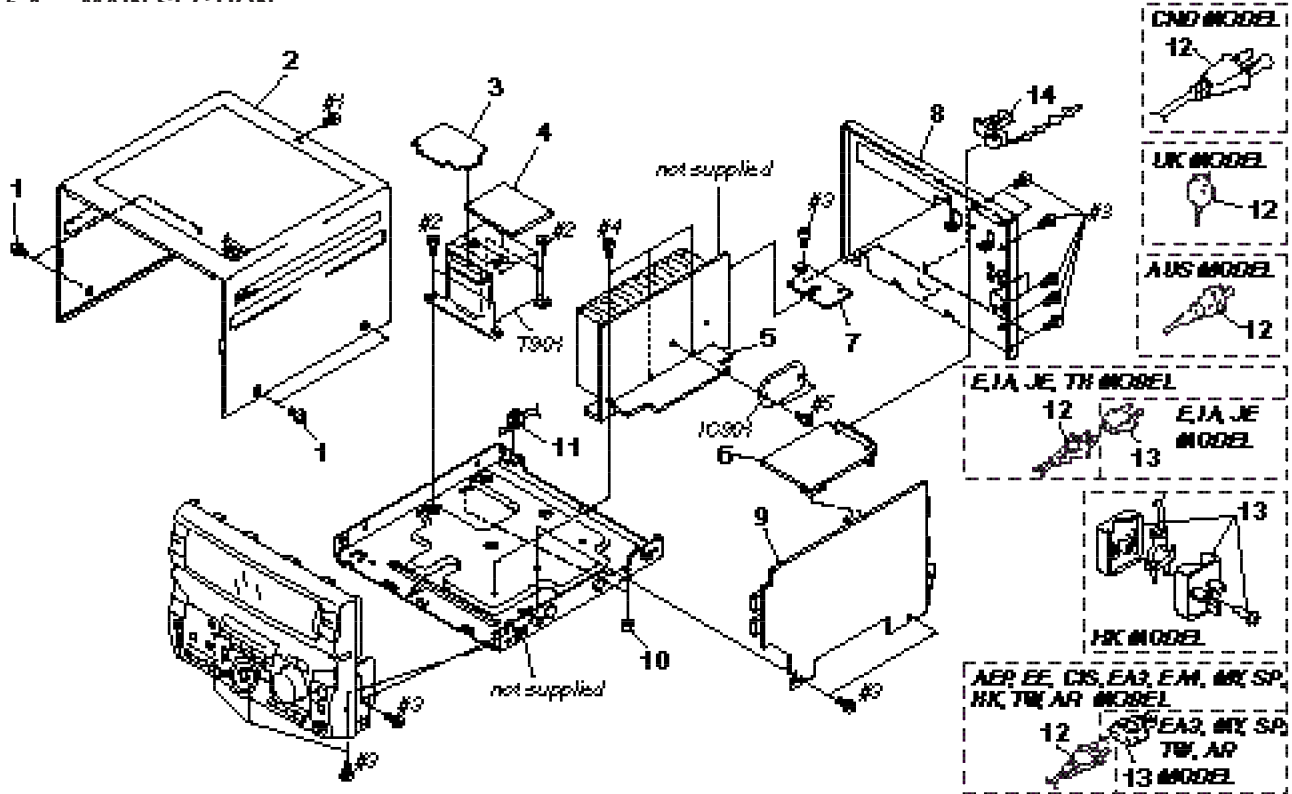
- -XX, -X mean standardized parts, so they may have some differences from the original one.
- Items marked “\*” are not stocked since they are seldom required for routine service. Some delay should be anticipated when ordering these items.
- The mechanical parts with no reference number in the exploded views are not supplied.
- Hardware (#mark) list is given in the last of this parts list.

- Abbreviations  
 TH : Thai                      SP : Singapore  
 AR : Argentine              HK : HongKong  
 EA3 : Saudi Arabia        AUS : Australian  
 TW : Taiwan                EA4 : Israel  
 MY : Malaysia              IA : Indonesian  
 JE : Tourist                CNA : Canadian  
 EE : East European  
 E2 : Tuner sections SW band do not exist.  
 E3 : Tuner sections SW band exist.

The components identified by mark  $\Delta$  or dotted line with mark  $\Delta$  are critical for safety. Replace only with part number specified.

Les composants identifiés par une marque  $\Delta$  sont critiques pour la sécurité. Ne les remplacer que par une pièce portant le numéro spécifié.

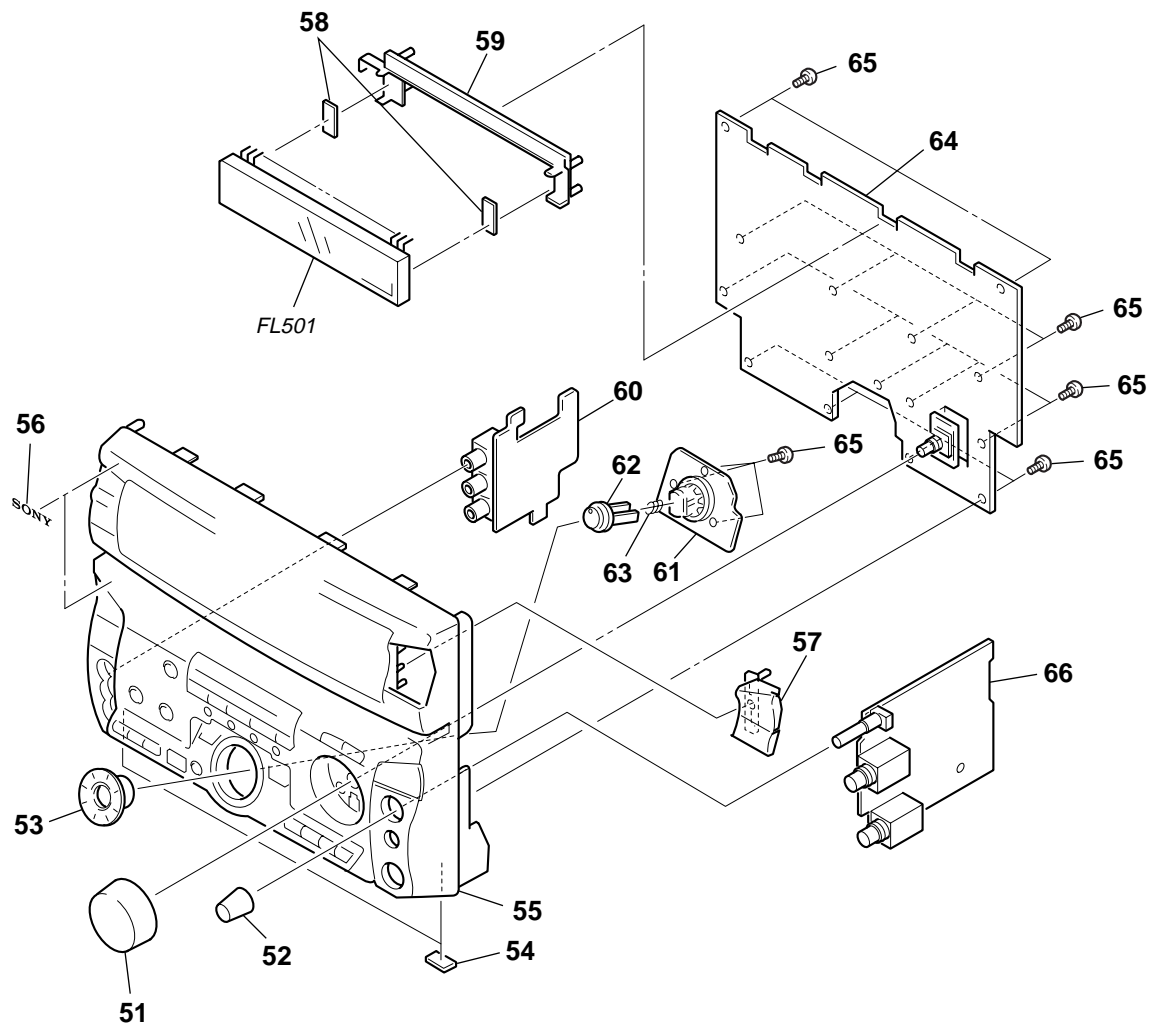
**5.4 MAIN SECTION**



Ref. No.	Part No.	Description	Remarks	Ref. No.	Part No.	Description	Remarks
1	3-363-099-11	SCREW (CASE 3 TP2)		* 9	A-4398-447-A	MAIN BOARD, COMPLETE (AEP,UK)	
* 2	4-991-364-11	CASE		* 9	A-4398-448-A	MAIN BOARD, COMPLETE (EE,CIS)	
* 3	1-666-059-11	SEC BOARD		* 9	A-4398-449-A	MAIN BOARD, COMPLETE (CND)	
* 4	1-666-065-11	PRI BOARD		* 9	A-4403-304-A	MAIN BOARD, COMPLETE (EA4,TH)	
* 5	1-666-066-11	AMP BOARD		* 9	A-4403-316-A	MAIN BOARD, COMPLETE (IA)	
6	A-4303-582-A	TCB BOARD (AEP, UK)		10	4-970-381-11	FOOT (REAR)	
6	A-4303-581-A	TCB BOARD (EE, CIS)		* 11	3-703-244-00	BUSHING (2104), CORD (EXCEPT TH)	
6	1-233-544-21	ENCAPSULATED COMPONENT(CND)		11	3-703-571-11	BUSHING (S) (4516), CORD (TH)	
6	1-233-545-21	ENCAPSULATED COMPONENT (E2,EA4,TH,AR,AUS)		$\Delta$ 12	1-690-608-11	CORD, POWER (AUS)	
6	1-233-546-21	ENCAPSULATED COMPONENT (E3,EA3,MY,SP,HK,TW,IA)		$\Delta$ 12	1-751-326-31	CORD, POWER (TH)	
6	1-693-385-21	TUNER (JE)		$\Delta$ 12	1-777-070-21	CORD, POWER (CND)	
7	1-666-067-11	DUMMY BOARD		$\Delta$ 12	1-777-071-21	CORD, POWER (AEP,EE,CIS,EA3,EA4,MY,SP,HK,TW,AR)	
* 8	4-991-360-01	PANEL (WH1), BACK (E,AR)		$\Delta$ 12	1-777-513-11	CORD, POWER (UK)	
* 8	4-991-360-11	PANEL (WH1), BACK (MY,SP)		$\Delta$ 12	1-782-315-11	CORD, POWER (E,IA,JE)	
* 8	4-991-360-21	PANEL (WH1), BACK (HK)		$\Delta$ 13	1-569-007-11	ADAPTOR, CONVERSION 2P (E,IA,JE)	
* 8	4-991-360-31	PANEL (WH1), BACK (AUS)		$\Delta$ 13	1-569-008-21	ADAPTOR, CONVERSION 2P (EA3,MY,SP,TW,AR)	
* 8	4-991-360-41	PANEL (WH1), BACK (AEP,UK)		$\Delta$ 13	1-770-019-11	ADAPTOR, CONVERSION PLUG 3P (HK)	
* 8	4-991-360-51	PANEL (WH1), BACK (CND)		14	4-956-370-12	BAND, PLUG FIXED (UK,HK,AUS)	
* 8	4-991-360-61	PANEL (WH1), BACK (EA3,TW,JE)		IC901	8-749-921-04	IC STK-4211MK-2 (EXCEPT CND)	
* 8	4-991-360-71	PANEL (WH1), BACK (EE,CIS)		IC901	8-749-922-65	IC STK-4221MK2 (CND)	
* 8	4-991-360-81	PANEL (WH1), BACK (EA4,TH)		$\Delta$ T901	1-431-364-11	TRANSFORMER, POWER (CND)	
* 8	4-991-360-91	PANEL (WH1), BACK (IA)		$\Delta$ T901	1-431-365-11	TRANSFORMER, POWER (E,EA3,EA4,MY,SP,HK,TW,IA,TH,AR,AUS,JE)	
* 9	A-4398-446-A	MAIN BOARD, COMPLETE (E,EA3,MY,SP,HK,TW,AR,AUS,JE)		$\Delta$ T901	1-431-366-11	TRANSFORMER, POWER (AEP,UK,EE,CIS)	



## 5-2. PANEL SECTION



Ref. No.	Part No.	Description	Remarks	Ref. No.	Part No.	Description	Remarks
51	4-991-318-01	KNOB (VOL)		63	4-984-085-01	SPRING (ENTER), COMPRESSION	
52	4-991-324-01	KNOB (MIC)		* 64	A-4398-478-A	PANEL BOARD, COMPLETE	
53	4-991-317-01	KNOB (JOG)				(E3,EA3,MY,SP,HK,TW)	
54	4-977-358-11	CUSHION (8X12.5)		* 64	A-4398-479-A	PANEL BOARD, COMPLETE (E2,AR,AUS)	
55	X-4948-609-1	PANEL ASSY, FRONT (EXCEPT AEP,UK)		* 64	A-4398-480-A	PANEL BOARD, COMPLETE (AEP,UK)	
				* 64	A-4398-481-A	PANEL BOARD, COMPLETE (EE,CIS)	
55	X-4948-610-1	PANEL ASSY, FRONT (AEP,UK)		* 64	A-4398-482-A	PANEL BOARD, COMPLETE (CND)	
56	4-962-708-11	EMBLEM (4-A), SONY		* 64	A-4403-302-A	PANEL BOARD, COMPLETE (JE)	
57	X-4948-612-1	DISPLAY ASSY, BUTTON		* 64	A-4403-310-A	PANEL BOARD, COMPLETE (EA4,TH)	
* 58	4-932-810-11	CUSHION (FL)		* 64	A-4403-321-A	PANEL BOARD, COMPLETE (IA)	
* 59	4-986-870-01	HOLDER, FL TUBE		65	4-951-620-01	SCREW (2.6X8), +BVTP	
* 60	1-666-060-11	AVIN BOARD		* 66	1-666-057-11	MIC ECHO BOARD	
* 61	1-666-062-11	JOG BOARD		FL501	1-517-618-11	INDICATOR TUBE, FLUORESCENT	
62	X-4948-611-1	BUTTON (E/N) ASSY					

**Note:**

When indicating parts by reference number, please include the board name.

The components identified by mark  $\Delta$  or dotted line with mark  $\Delta$  are critical for safety. Replace only with part number specified.

Les composants identifiés par une marque  $\Delta$  sont critiques pour la sécurité. Ne les remplacer que par une pièce portant le numéro spécifié.

- Due to standardization, replacements in the parts list may be different from the parts specified in the diagrams or the components used on the set.
- -XX, -X mean standardized parts, so they may have some difference from the original one.

## SECTION 6 ELECTRICAL PARTS LIST

AMP

- Items marked “\*” are not stocked since they are seldom required for routine service. Some delay should be anticipated when ordering these items.
- CAPACITORS:  
uF:  $\mu$ F
- RESISTORS  
All resistors are in ohms.  
METAL: metal-film resistor  
METAL OXIDE: Metal Oxide-film resistor  
F: nonflammable
- COILS  
uH:  $\mu$ H

- SEMICONDUCTORS  
In each case, u:  $\mu$ , for example:  
uA...:  $\mu$ A..., uPA...,  $\mu$ PA...,  
uPB...,  $\mu$ PB..., uPC...,  $\mu$ PC...,  
uPD...,  $\mu$ PD...
- Abbreviations  
TH : Thai                      SP : Singapore  
AR : Argentine              HK : HongKong  
EA3 : Saudi Arabia        AUS : Australian  
TW : Taiwan                EA4 : Israel  
MY : Malaysia              IA : Indonesian  
JE : Tourist                CNA : Canadian  
EE : East European  
E2 : Tuner sections SW band do not exist.  
E3 : Tuner sections SW band exist.

Ref. No.	Part No.	Description	Remarks	Ref. No.	Part No.	Description	Remarks
*	1-666-066-11	AMP BOARD *****				< TRANSISTOR >	
		< CAPACITOR >					
C809	1-104-664-11	ELECT	47uF 20% 25V	Q802	8-729-209-15	TRANSISTOR 2SD2012	
C810	1-104-664-11	ELECT	47uF 20% 25V	Q803	8-729-209-15	TRANSISTOR 2SD2012	
C811	1-126-933-11	ELECT	100uF 20% 16V	Q804	8-729-209-15	TRANSISTOR 2SD2012	
C812	1-104-664-11	ELECT	47uF 20% 25V	Q805	8-729-141-83	TRANSISTOR 2SB1094-LK	
C813	1-104-664-11	ELECT	47uF 20% 25V	Q901	8-729-900-36	TRANSISTOR DTC124ES	
C816	1-104-664-11	ELECT	47uF 20% 25V	Q902	8-729-140-84	TRANSISTOR 2SC1841-PAFAEA	
C817	1-126-933-11	ELECT	100uF 20% 10V	Q952	8-729-140-84	TRANSISTOR 2SC1841-PAFAEA	
C818	1-104-664-11	ELECT	47uF 20% 25V	Q8004	8-729-620-05	TRANSISTOR 2SC2603-EF	
C819	1-104-664-11	ELECT	47uF 20% 25V			< RESISTOR >	
C901	1-126-961-11	ELECT	2.2uF 20% 50V	R805	1-249-428-11	CARBON 8.2K 5% 1/4W F	
C902	1-162-294-31	CERAMIC	0.001uF 10% 50V	R807	1-247-843-11	CARBON 3.3K 5% 1/4W	
C903	1-162-282-31	CERAMIC	100PF 10% 50V	R809	1-249-428-11	CARBON 8.2K 5% 1/4W F	
C904	1-126-967-11	ELECT	47uF 20% 50V	R814	1-249-421-11	CARBON 2.2K 5% 1/4W F	
C905	1-126-967-11	ELECT	47uF 20% 50V	R815	1-249-421-11	CARBON 2.2K 5% 1/4W F	
C906	1-136-495-11	FILM	0.068uF 5% 50V	R901	1-249-417-11	CARBON 1K 5% 1/4W F	
C907	1-136-495-11	FILM	0.068uF 5% 50V	R902	1-249-437-11	CARBON 47K 5% 1/4W	
C932	1-128-552-51	ELECT	47uF 20% 63V	R903	1-249-413-11	CARBON 470 5% 1/4W F	
C933	1-128-581-11	ELECT	4.7uF 20% 63V	R904	1-249-437-11	CARBON 47K 5% 1/4W	
C934	1-128-552-51	ELECT	47uF 20% 63V	R906	1-249-429-11	CARBON 10K 5% 1/4W	
C937	1-126-965-11	ELECT	22uF 20% 50V	R907	1-249-429-11	CARBON 10K 5% 1/4W	
C938	1-126-934-11	ELECT	220uF 20% 16V	R908	1-249-429-11	CARBON 10K 5% 1/4W	
C940	1-128-581-11	ELECT	4.7uF 20% 63V	R909	1-249-429-11	CARBON 10K 5% 1/4W	
C950	1-162-306-11	CERAMIC	0.01uF 20% 16V	R910	1-249-397-11	CARBON 22 5% 1/4W F	
C951	1-126-963-11	ELECT	4.7uF 20% 50V	R911	1-249-397-11	CARBON 22 5% 1/4W F	
C952	1-162-294-31	CERAMIC	0.001uF 10% 50V	R913	1-249-417-11	CARBON 1K 5% 1/4W F	
C953	1-162-282-31	CERAMIC	100PF 10% 50V	R914	1-249-431-11	CARBON 15K 5% 1/4W	
C954	1-126-967-11	ELECT	47uF 20% 50V	R915	1-249-441-11	CARBON 100K 5% 1/4W	
C955	1-126-967-11	ELECT	47uF 20% 50V	$\Delta$ R920	1-217-156-00	WIREWOUND 0.22 10% 5W F	
C956	1-136-495-11	FILM	0.068uF 5% 50V	$\Delta$ R932	1-212-881-11	FUSIBLE 100 5% 1/4W F	
C957	1-136-495-11	FILM	0.068uF 5% 50V	R933	1-249-421-11	CARBON 2.2K 5% 1/4W F	
		< DIODE >		R934	1-249-421-11	CARBON 2.2K 5% 1/4W F	
D805	8-719-933-50	DIODE HZS7C2L		R935	1-249-421-11	CARBON 2.2K 5% 1/4W F	
D806	8-719-001-57	DIODE UZL-11H3-TP		R936	1-249-421-11	CARBON 2.2K 5% 1/4W F	
D807	8-719-000-81	DIODE UZL-7L3		R937	1-249-437-11	CARBON 47K 5% 1/4W	
D808	8-719-933-50	DIODE HZS7C2L		R938	1-249-441-11	CARBON 100K 5% 1/4W	
D903	8-719-987-63	DIODE 1N4148M		R939	1-249-433-11	CARBON 22K 5% 1/4W	
D953	8-719-987-63	DIODE 1N4148M		R940	1-249-433-11	CARBON 22K 5% 1/4W	
		< IC >		R941	1-249-429-11	CARBON 10K 5% 1/4W	
IC901	8-749-921-04	IC STK-4211MK-2 (EXCEPT CND)		R942	1-249-413-11	CARBON 470 5% 1/4W F	
IC901	8-749-922-65	IC STK-4221MK2 (CND)		$\Delta$ R943	1-212-881-11	FUSIBLE 100 5% 1/4W F	
				R945	1-249-417-11	CARBON 1K 5% 1/4W F	
				R951	1-249-417-11	CARBON 1K 5% 1/4W F	
				R952	1-249-437-11	CARBON 47K 5% 1/4W	
				R953	1-249-413-11	CARBON 470 5% 1/4W F	

**AMP****AVIN****MAIN**

Ref. No.	Part No.	Description	Remarks
R954	1-249-437-11	CARBON 47K 5%	1/4W
R956	1-249-429-11	CARBON 10K 5%	1/4W
R957	1-249-429-11	CARBON 10K 5%	1/4W
R958	1-249-429-11	CARBON 10K 5%	1/4W
R959	1-249-429-11	CARBON 10K 5%	1/4W
R960	1-249-397-11	CARBON 22 5%	1/4W F
R961	1-249-397-11	CARBON 22 5%	1/4W F
R963	1-249-417-11	CARBON 1K 5%	1/4W F
R964	1-249-431-11	CARBON 15K 5%	1/4W
R965	1-249-441-11	CARBON 100K 5%	1/4W
△R970	1-217-156-00	WIREWOUND 0.22 10%	5W F
△R974	1-212-849-00	FUSIBLE 4.7 5%	1/4W F
*****			
*	1-666-060-11	AVIN BOARD *****	
< CAPACITOR >			
C6301	1-162-286-31	CERAMIC 220PF 10%	50V
C6302	1-162-286-31	CERAMIC 220PF 10%	50V
C6303	1-162-306-11	CERAMIC 0.01uF 20%	16V
< CONNECTOR >			
CN6301	1-564-524-11	PLUG, CONNECTOR 9P	
< DIODE >			
D6300	8-719-987-63	DIODE 1N4148M	
< JACK >			
J6301	1-779-583-11	JACK, PIN 3P (AV INPUT)	
< RESISTOR >			
R6301	1-249-417-11	CARBON 1K 5%	1/4W F
R6302	1-249-417-11	CARBON 1K 5%	1/4W F
R6303	1-249-441-11	CARBON 100K 5%	1/4W
R6304	1-249-441-11	CARBON 100K 5%	1/4W
< RELAY >			
RY6300	1-515-622-11	RELAY	
*****			
*	A-4398-446-A	MAIN BAORD, COMPLETE (E, EA3, SP, MY, HK, ***** TW, AR, AUS, JE)	
*	A-4398-447-A	MAIN BAORD, COMPLETE (AEP, UK) *****	
*	A-4398-448-A	MAIN BAORD, COMPLETE (EE, CIS) *****	
*	A-4398-449-A	MAIN BAORD, COMPLETE (CND) *****	
*	A-4403-304-A	MAIN BAORD, COMPLETE (EA4, TH) *****	
*	A-4403-316-A	MAIN BOARD, COMPLETE (IA) *****	
< CAPACITOR >			
C101	1-136-167-00	FILM 0.15uF 5%	50V
C102	1-130-471-00	MYLAR 0.001uF 5%	50V
C103	1-136-169-00	FILM 0.22uF 5%	50V
C104	1-136-169-00	FILM 0.22uF 5%	50V
C105	1-137-375-11	FILM 0.068uF 5%	50V

Ref. No.	Part No.	Description	Remarks
C106	1-137-375-11	FILM 0.068uF 5%	50V
C107	1-137-440-11	FILM 0.018uF 5%	50V
C108	1-137-440-11	FILM 0.018uF 5%	50V
C109	1-137-437-11	FILM 0.0056uF 5%	50V
C110	1-130-479-00	MYLAR 0.0047uF 5%	50V
C111	1-130-479-00	MYLAR 0.0047uF 5%	50V
C112	1-126-964-11	ELECT 10uF 20%	50V
C113	1-126-963-11	ELECT 4.7uF 20%	50V
C114	1-136-166-00	FILM 0.12uF 5%	50V
C115	1-136-166-00	FILM 0.12uF 5%	50V
C116	1-126-961-11	ELECT 2.2uF 20%	50V
C117	1-162-306-11	CERAMIC 0.01uF 20%	16V
C118	1-126-964-11	ELECT 10uF 20%	50V
C120	1-126-959-11	ELECT 0.47uF 20%	50V
C123	1-126-963-11	ELECT 4.7uF 20%	50V
C129	1-162-294-31	CERAMIC 0.001uF 10%	50V
C130	1-164-159-11	CERAMIC 0.1uF	50V
C140	1-162-306-11	CERAMIC 0.01uF	16V
C153	1-136-169-00	FILM 0.22uF 5%	50V
C154	1-136-169-00	FILM 0.22uF 5%	50V
C155	1-137-375-11	FILM 0.068uF 5%	50V
C156	1-137-375-11	FILM 0.068uF 5%	50V
C157	1-137-440-11	FILM 0.018uF 5%	50V
C158	1-137-440-11	FILM 0.018uF 5%	50V
C159	1-137-437-11	FILM 0.0056uF 5%	50V
C160	1-130-479-00	MYLAR 0.0047uF 5%	50V
C161	1-130-479-00	MYLAR 0.0047uF 5%	50V
C162	1-126-964-11	ELECT 10uF 20%	50V
C163	1-126-963-11	ELECT 4.7uF 20%	50V
C164	1-136-166-00	FILM 0.12uF 5%	50V
C165	1-136-166-00	FILM 0.12uF 5%	50V
C166	1-126-961-11	ELECT 2.2uF 20%	50V
C177	1-162-306-11	CERAMIC 0.01uF	16V
C181	1-162-215-31	CERAMIC 47PF 5%	50V
C182	1-126-960-11	ELECT 1uF 20%	50V
C183	1-126-961-11	ELECT 2.2uF 20%	50V
C188	1-126-964-11	ELECT 10uF 20%	50V
C701	1-162-286-31	CERAMIC 220PF 10%	50V (AEP, UK)
C702	1-162-286-31	CERAMIC 220PF 10%	50V (AEP, UK)
C703	1-126-963-11	ELECT 4.7uF 20%	50V
C731	1-126-964-11	ELECT 10uF 20%	50V
C732	1-126-964-11	ELECT 10uF 20%	50V
C751	1-162-286-31	CERAMIC 220PF 10%	50V (AEP, UK)
C752	1-162-286-31	CERAMIC 220PF 10%	50V (AEP, UK)
C753	1-126-963-11	ELECT 4.7uF 20%	50V
C801	1-136-165-00	FILM 0.1uF 5%	50V
C802	1-136-165-00	FILM 0.1uF 5%	50V
C803	1-104-482-11	ELECT 4700uF 20%	63V
C804	1-104-482-11	ELECT 4700uF 20%	63V
C807	1-126-964-11	ELECT 10uF 20%	50V
C808	1-126-948-11	ELECT 100uF 20%	35V
C831	1-126-942-61	ELECT 1000uF 20%	25V
C832	1-126-942-61	ELECT 1000uF 20%	25V
C835	1-136-165-00	FILM 0.1uF 5%	50V
C836	1-136-165-00	FILM 0.1uF 5%	50V

The components identified by mark △ or dotted line with mark △ are critical for safety. Replace only with part number specified.

Les composants identifiés par une marque △ sont critiques pour la sécurité. Ne les remplacer que par une pièce portant le numéro spécifié.

Ref. No.	Part No.	Description	Remarks	Ref. No.	Part No.	Description	Remarks
C852	1-126-923-11	ELECT	220uF 20% 10V			< TRANSISTOR >	
C853	1-126-933-11	ELECT	100uF 20% 10V				
C858	1-104-664-11	ELECT	47uF 20% 25V				
C859	1-126-961-11	ELECT	2.2uF 20% 50V				
C861	1-164-159-11	CERAMIC	0.1uF 50V				
C921	1-137-375-11	FILM	0.068uF 5% 50V				
C922	1-137-375-11	FILM	0.068uF 5% 50V				
C971	1-137-375-11	FILM	0.068uF 5% 50V				
C972	1-137-375-11	FILM	0.068uF 5% 50V				
		< CONNECTOR >					
CN103	1-774-289-11	PIN, CONNECTOR (PC BOARD) 15P					
CN105	1-774-336-11	SOCKET, CONNECTOR(PC BOARD)14P					
CN106	1-774-336-11	SOCKET, CONNECTOR(PC BOARD)14P					
* CN6002	1-568-937-11	PIN, CONNECTOR 10P					
* CNP701	1-764-017-21	HOUSING,CONNECTOR(PC BOARD)17P					
		< DIODE >					
D101	8-719-987-63	DIODE 1N4148M					
D102	8-719-987-63	DIODE 1N4148M					
D702	8-719-200-82	DIODE 11ES2					
D801	8-719-302-38	DIODE RBV-602-01					
D804	8-719-934-22	DIODE HZS30-2L					
D809	8-719-987-63	DIODE 1N4148M					
D810	8-719-987-63	DIODE 1N4148M					
D821	8-719-987-63	DIODE 1N4148M					
D824	8-719-200-82	DIODE 11ES2					
D831	8-719-200-82	DIODE 11ES2					
D832	8-719-200-82	DIODE 11ES2					
D833	8-719-200-82	DIODE 11ES2					
D834	8-719-200-82	DIODE 11ES2					
D840	8-719-987-63	DIODE 1N4148M					
D841	8-719-987-63	DIODE 1N4148M					
D844	8-719-200-82	DIODE 11ES2					
D852	8-719-987-63	DIODE 1N4148M					
D1021	8-719-987-63	DIODE 1N4148M					
		< TERMINAL >					
* E801	1-537-738-21	TERMINAL, EARTH					
		< IC >					
IC101	8-759-634-50	IC M5218AL					
IC105	8-759-460-02	IC M62427FP-A					
IC701	8-759-000-47	IC MC14051BCP					
IC751	8-759-000-47	IC MC14051BCP					
IC850	8-759-111-68	IC UPC1237HA					
		< JACK >					
J701	1-770-614-11	JACK, PIN 4P (MD/VIDEO) (EXCEPT EE,CIS)					
J701	1-770-613-11	JACK, PIN 4P (MD/VIDEO) (EE,CIS)					
J901	1-779-379-11	JACK, PIN 2P (SUPER WOOFER/MONITOR)					
		< COIL >					
L921	1-420-872-00	COIL, AIR-CORE (AEP,UK)					
L971	1-420-872-00	COIL, AIR-CORE (AEP,UK)					
		< RESISTOR >					
				R101	1-249-429-11	CARBON 10K 5%	1/4W
				R102	1-249-429-11	CARBON 10K 5%	1/4W
				R103	1-249-429-11	CARBON 10K 5%	1/4W
				R104	1-249-429-11	CARBON 10K 5%	1/4W
				R105	1-249-429-11	CARBON 10K 5%	1/4W
				R108	1-247-897-00	CARBON 560K 5%	1/4W
				R109	1-249-419-11	CARBON 1.5K 5%	1/4W F
				R110	1-249-433-11	CARBON 22K 5%	1/4W
				R111	1-249-441-11	CARBON 100K 5%	1/4W
				R112	1-249-421-11	CARBON 2.2K 5%	1/4W F
				R113	1-249-441-11	CARBON 100K 5%	1/4W
				R115	1-249-439-11	CARBON 68K 5%	1/4W
				R116	1-249-437-11	CARBON 47K 5%	1/4W
				R117	1-247-903-00	CARBON 1M 5%	1/4W
				R118	1-249-417-11	CARBON 1K 5%	1/4W F
				R119	1-249-433-11	CARBON 22K 5%	1/4W
				R120	1-249-437-11	CARBON 47K 5%	1/4W
				R122	1-247-903-00	CARBON 1M 5%	1/4W
				R123	1-249-431-11	CARBON 15K 5%	1/4W
				R124	1-249-437-11	CARBON 47K 5%	1/4W
				R125	1-247-807-31	CARBON 100 5%	1/4W
				R126	1-249-429-11	CARBON 10K 5%	1/4W
				R129	1-247-887-00	CARBON 220K 5%	1/4W
				R135	1-247-807-31	CARBON 100 5%	1/4W (AEP,UK)
				R136	1-247-807-31	CARBON 100 5%	1/4W (AEP,UK)
				R137	1-247-807-31	CARBON 100 5%	1/4W
				R138	1-247-807-31	CARBON 100 5%	1/4W
				R139	1-247-807-31	CARBON 100 5%	1/4W
				R140	1-247-807-31	CARBON 100 5%	1/4W
				R141	1-247-807-31	CARBON 100 5%	1/4W
				R142	1-247-807-31	CARBON 100 5%	1/4W
				R143	1-247-807-31	CARBON 100 5%	1/4W
				R144	1-247-807-31	CARBON 100 5%	1/4W
				R145	1-247-807-31	CARBON 100 5%	1/4W
				R146	1-247-807-31	CARBON 100 5%	1/4W
				R147	1-247-807-31	CARBON 100 5%	1/4W
				R151	1-249-429-11	CARBON 10K 5%	1/4W
				R152	1-249-429-11	CARBON 10K 5%	1/4W
				R153	1-249-429-11	CARBON 10K 5%	1/4W
				R154	1-249-429-11	CARBON 10K 5%	1/4W

<b>MAIN</b>	<b>JOG</b>	<b>MIC ECHO</b>
-------------	------------	-----------------

Ref. No.	Part No.	Description			Remarks
R155	1-249-429-11	CARBON	10K	5%	1/4W
R156	1-249-429-11	CARBON	10K	5%	1/4W
R158	1-247-897-00	CARBON	560K	5%	1/4W
R159	1-249-419-11	CARBON	1.5K	5%	1/4W F
R160	1-249-433-11	CARBON	22K	5%	1/4W
R161	1-249-441-11	CARBON	100K	5%	1/4W
R162	1-249-421-11	CARBON	2.2K	5%	1/4W F
R163	1-249-441-11	CARBON	100K	5%	1/4W
R165	1-249-439-11	CARBON	68K	5%	1/4W
R167	1-249-441-11	CARBON	100K	5%	1/4W
R172	1-247-903-00	CARBON	1M	5%	1/4W
R173	1-249-431-11	CARBON	15K	5%	1/4W
R174	1-249-437-11	CARBON	47K	5%	1/4W
R176	1-249-429-11	CARBON	10K	5%	1/4W
R177	1-249-437-11	CARBON	47K	5%	1/4W
R178	1-249-433-11	CARBON	22K	5%	1/4W
R181	1-247-895-00	CARBON	470K	5%	1/4W
R182	1-247-895-00	CARBON	470K	5%	1/4W
R183	1-249-435-11	CARBON	33K	5%	1/4W
R184	1-249-425-11	CARBON	4.7K	5%	1/4W F
R185	1-249-417-11	CARBON	1K	5%	1/4W F
R186	1-249-425-11	CARBON	4.7K	5%	1/4W F
R187	1-249-441-11	CARBON	100K	5%	1/4W
R188	1-249-417-11	CARBON	1K	5%	1/4W F
R190	1-249-441-11	CARBON	100K	5%	1/4W
R192	1-249-425-11	CARBON	4.7K	5%	1/4W F
R195	1-249-425-11	CARBON	4.7K	5%	1/4W F
R196	1-247-807-31	CARBON	100	5%	1/4W
R702	1-249-425-11	CARBON	4.7K	5%	1/4W F
R703	1-249-425-11	CARBON	4.7K	5%	1/4W F
R704	1-249-417-11	CARBON	1K	5%	1/4W F
R705	1-249-441-11	CARBON	100K	5%	1/4W
R707	1-249-441-11	CARBON	100K	5%	1/4W
R708	1-249-417-11	CARBON	1K	5%	1/4W F
R710	1-249-417-11	CARBON	1K	5%	1/4W F
R752	1-249-425-11	CARBON	4.7K	5%	1/4W F
R753	1-249-425-11	CARBON	4.7K	5%	1/4W F
R754	1-249-417-11	CARBON	1K	5%	1/4W F
R755	1-249-441-11	CARBON	100K	5%	1/4W
R757	1-249-441-11	CARBON	100K	5%	1/4W
R758	1-249-417-11	CARBON	1K	5%	1/4W F
R759	1-249-417-11	CARBON	1K	5%	1/4W F
R760	1-249-417-11	CARBON	1K	5%	1/4W F
R762	1-249-417-11	CARBON	1K	5%	1/4W F
△R801	1-212-982-00	FUSIBLE	100	5%	1/2W F
R804	1-249-429-11	CARBON	10K	5%	1/4W
R818	1-249-427-11	CARBON	6.8K	5%	1/4W F
R819	1-249-427-11	CARBON	6.8K	5%	1/4W F
R840	1-249-429-11	CARBON	10K	5%	1/4W
R851	1-249-431-11	CARBON	15K	5%	1/4W
R853	1-249-397-11	CARBON	22	5%	1/4W F
R854	1-249-441-11	CARBON	100K	5%	1/4W
R856	1-249-429-11	CARBON	10K	5%	1/4W
R857	1-249-435-11	CARBON	33K	5%	1/4W
R858	1-249-437-11	CARBON	47K	5%	1/4W

Ref. No.	Part No.	Description			Remarks
R859	1-249-439-11	CARBON	68K	5%	1/4W
△R870	1-215-892-11	METAL OXIDE	1K	5%	2W F (EXCEPT CND)
△R870	1-215-893-11	METAL OXIDE	1.5K	5%	2W F (CND)
R921	1-249-397-11	CARBON	22	5%	1/4W F (AEP,UK)
R922	1-249-397-11	CARBON	22	5%	1/4W F (AEP,UK)
R944	1-249-417-11	CARBON	1K	5%	1/4W F
R971	1-249-397-11	CARBON	22	5%	1/4W F (AEP,UK)
R972	1-249-397-11	CARBON	22	5%	1/4W F (AEP,UK)
R1002	1-249-429-11	CARBON	10K	5%	1/4W
R1020	1-249-425-11	CARBON	4.7K	5%	1/4W F
R1021	1-249-417-11	CARBON	1K	5%	1/4W F
		< RELAY >			
RY801	1-515-920-11	RELAY (24V)			
		< TERMINAL >			
TB901	1-537-801-11	TERMINAL BOARD FRONT SREAKER (AEP,UK)			
TB901	1-537-240-31	TERMINAL BOARD FRONT SREAKER (CHECKER PIN) (EXCEPT AEP,UK)			
*****					
*	1-666-062-11	JOG BOARD			
		*****			
		< DIODE >			
D512	8-719-046-44	DIODE SEL5221S			
D513	8-719-046-44	DIODE SEL5221S			
D514	8-719-046-44	DIODE SEL5221S			
		< RESISTOR >			
R537	1-249-407-11	CARBON	150	5%	1/4W F
R538	1-249-401-11	CARBON	47	5%	1/4W F
R541	1-249-419-11	CARBON	1.5K	5%	1/4W F
R644	1-249-429-11	CARBON	10K	5%	1/4W
R645	1-249-429-11	CARBON	10K	5%	1/4W
		< SWITCH >			
S534	1-762-751-11	SWITCH, TACTILE (ENTER/NEXT)			
S536	1-762-874-11	SWITCH, JOG (MULTI JOG STATION)			
*****					
*	1-666-057-11	MIC ECHO BOARD			
		*****			
		< CAPACITOR >			
C6001	1-162-306-11	CERAMIC	0.01uF	20%	16V
C6003	1-124-257-00	ELECT	2.2uF	20%	50V
C6005	1-162-215-31	CERAMIC	47PF	5%	50V
C6006	1-162-290-31	CERAMIC	470PF	10%	50V
C6023	1-162-215-31	CERAMIC	47PF	5%	50V

The components identified by mark △ or dotted line with mark △ are critical for safety. Replace only with part number specified.	Les composants identifiés par une marque △ sont critiques pour la sécurité. Ne les remplacer que par une pièce portant le numéro spécifié.
--	--

**MIC ECHO**

**PANEL**

**VOLUME**

Ref. No.	Part No.	Description	Remarks
C6024	1-162-282-31	CERAMIC 100PF 10% 50V	
C6025	1-124-257-00	ELECT 2.2uF 20% 50V	
C6026	1-124-261-00	ELECT 10uF 20% 50V	
C6027	1-124-261-00	ELECT 10uF 20% 50V	
C6030	1-124-465-00	ELECT 0.47uF 20% 50V	
C6032	1-162-306-11	CERAMIC 0.01uF 20% 16V	
C6033	1-162-306-11	CERAMIC 0.01uF 20% 16V	
< TERMINAL >			
* G6001	1-537-738-21	TERMINAL, EARTH	
< IC >			
IC6001	8-759-634-51	IC M5218AP	
< JACK >			
J6001	1-770-226-11	JACK (LARGE TYPE) (MIX MIC)	
J6003	1-770-226-11	JACK (LARGE TYPE) (PHONES)	
< RESISTOR >			
R6001	1-249-429-11	CARBON 10K 5% 14W	
R6003	1-249-417-11	CARBON 1K 5% 1/4W F	
R6005	1-249-417-11	CARBON 1K 5% 1/4W F	
R6006	1-249-425-11	CARBON 4.7K 5% 1/4W F	
R6017	1-249-417-11	CARBON 1K 5% 1/4W F	
R6018	1-247-881-00	CARBON 120K 5% 1/4W	
R6019	1-247-807-31	CARBON 100 5% 1/4W	
R6030	1-247-895-00	CARBON 470K 5% 1/4W	
R6201	1-249-419-11	CARBON 1.5K 5% 1/4W F	
R6202	1-249-418-11	CARBON 1.2K 5% 1/4W F	
R6251	1-249-419-11	CARBON 1.5K 5% 1/4W F	
R6252	1-249-418-11	CARBON 1.2K 5% 1/4W F	
< VARIABLE RESISTOR >			
RV6001	1-225-410-11	RES, VAR, CARBON 50K (MIC LEVEL)	
*****			
* A-4403-302-A	PANEL BOARD, COMPLETE (JE)		
*****			
* A-4403-310-A	PANEL BOARD, COMPLETE (EA4,TH)		
*****			
* A-4403-321-A	PANEL BOARD, COMPLETE (IA)		
*****			
* A-4398-478-A	PANEL BAORD, COMPLETE (E3,EA3,SP,MY,HK, TW)		
*****			
A-4398-479-A	PANEL BAORD, COMPLETE (E2,AR,AUS)		
*****			
* A-4398-480-A	PANEL BAORD, COMPLETE (AEP,UK)		
*****			
* A-4398-481-A	PANEL BAORD, COMPLETE (EE,CIS)		
*****			
* A-4398-482-A	PANEL BAORD, COMPLETE (CND)		
*****			
VOLUME BOARD			
*****			
* 4-932-810-11	CUSHION (FL)		
* 4-986-870-01	HOLDER, FL TUBE		

Ref. No.	Part No.	Description	Remarks
< CAPACITOR >			
C501	1-164-159-11	CERAMIC 0.1uF	50V
C502	1-164-159-11	CERAMIC 0.1uF	50V
C503	1-162-207-31	CERAMIC 22PF	5% 50V
(IA)			
C503	1-162-203-31	CERAMIC 15PF	5% 50V
(EXCEPT IA)			
C504	1-162-205-31	CERAMIC 18PF	5% 50V
C505	1-124-261-00	ELECT 10uF	20% 50V
C506	1-137-399-11	FILM 0.1uF	5% 50V
C507	1-124-248-00	ELECT 22uF	20% 35V
C508	1-162-306-11	CERAMIC 0.01uF	20% 16V
C509	1-124-261-00	ELECT 10uF	20% 50V
C510	1-162-306-11	CERAMIC 0.01uF	20% 16V
C511	1-124-584-00	ELECT 100uF	20% 10V
C512	1-124-261-00	ELECT 10uF	20% 50V
C514	1-124-261-00	ELECT 10uF	20% 50V
C515	1-162-306-11	CERAMIC 0.01uF	20% 16V
C516	1-124-261-00	ELECT 10uF	20% 50V
C517	1-137-374-11	FILM 0.047uF	5% 50V
C518	1-162-306-11	CERAMIC 0.01uF	20% 16V
C519	1-124-464-11	ELECT 0.22uF	20% 50V
C520	1-137-371-11	FILM 0.015uF	5% 50V
C521	1-124-463-00	ELECT 0.1uF	20% 50V
C522	1-164-159-11	CERAMIC 0.1uF	50V
C523	1-162-302-11	CERAMIC 0.0022uF	30% 16V
C524	1-162-301-11	CERAMIC 0.0015uF	30% 16V
C525	1-162-288-31	CERAMIC 330PF	10% 50V
C526	1-164-159-11	CERAMIC 0.1uF	50V
C527	1-164-159-11	CERAMIC 0.1uF	50V
C528	1-104-905-11	CAPACITOR 0.22F	5.5V
C544	1-162-306-11	CERAMIC 0.01uF	20% 16V
C545	1-162-306-11	CERAMIC 0.01uF	20% 16V
C546	1-162-306-11	CERAMIC 0.01uF	20% 16V
C549	1-162-290-31	CERAMIC 470PF	10% 50V
C550	1-162-290-31	CERAMIC 470PF	10% 50V
< CONNECTOR >			
CN501	1-774-342-11	PLUG, CONNECTOR (PC BOARD) 14P	
CN502	1-774-342-11	PLUG, CONNECTOR (PC BOARD) 14P	
< DIODE >			
D511	8-719-987-63	DIODE 1N4148M	
D521	8-719-046-80	DIODE SML19416W-TP4	
D523	8-719-046-80	DIODE SML19416W-TP4	
D524	8-719-046-80	DIODE SML19416W-TP4	
D525	8-719-046-80	DIODE SML19416W-TP4	
D526	8-719-046-80	DIODE SML19416W-TP4	
D527	8-719-046-80	DIODE SML19416W-TP4	
D528	8-719-046-80	DIODE SML19416W-TP4	
D529	8-719-046-39	DIODE SEL5821A-TH15	
D530	8-719-046-39	DIODE SEL5821A-TH15	
D531	8-719-046-39	DIODE SEL5821A-TH15	
D532	8-719-046-80	DIODE SML19416W-TP4	
D533	8-719-046-39	DIODE SEL5821A-TH15	
D534	8-719-046-44	DIODE SEL5221S	
D536	8-719-032-86	DIODE SEL5420E	



**PANEL**

**VOLUME**

Ref. No.	Part No.	Description	Remarks	Ref. No.	Part No.	Description	Remarks
D537	8-719-032-86	DIODE SEL5420E		R518	1-249-421-11	CARBON 2.2K	5% 1/4W F
D538	8-719-046-44	DIODE SEL5221S		R519	1-247-843-11	CARBON 3.3K	5% 1/4W
D539	8-719-046-44	DIODE SEL5221S		R520	1-249-427-11	CARBON 6.8K	5% 1/4W F
D540	8-719-046-36	DIODE SEL5921A-TH15		R521	1-249-431-11	CARBON 15K	5% 1/4W
D541	8-719-046-36	DIODE SEL5921A-TH15		R522	1-249-437-11	CARBON 47K	5% 1/4W
D542	8-719-064-63	DIODE SELU5823A-TP15		R523	1-249-413-11	CARBON 470	5% 1/4W F
D543	8-719-064-63	DIODE SELU5823A-TP15		R524	1-249-415-11	CARBON 680	5% 1/4W F
D575	8-719-987-63	DIODE 1N4148M		R525	1-249-417-11	CARBON 1K	5% 1/4W F
D576	8-719-987-63	DIODE 1N4148M		R526	1-249-419-11	CARBON 1.5K	5% 1/4W F
D579	8-719-200-82	DIODE 11ES2		R527	1-249-421-11	CARBON 2.2K	5% 1/4W F
D580	8-719-987-63	DIODE 1N4148M		R528	1-247-843-11	CARBON 3.3K	5% 1/4W
D581	8-719-987-63	DIODE 1N4148M		R529	1-249-427-11	CARBON 6.8K	5% 1/4W F
D582	8-719-014-73	DIODE UZP-5.6BC-TP		R530	1-249-431-11	CARBON 15K	5% 1/4W
D583	8-719-200-82	DIODE 11ES2		R531	1-249-437-11	CARBON 47K	5% 1/4W
D585	8-719-987-63	DIODE 1N4148M		R532	1-249-409-11	CARBON 220	5% 1/4W F
D586	8-719-987-63	DIODE 1N4148M		R550	1-249-407-11	CARBON 150	5% 1/4W F
D587	8-719-987-63	DIODE 1N4148M		R551	1-249-407-11	CARBON 150	5% 1/4W F
D588	8-719-987-63	DIODE 1N4148M		R552	1-249-407-11	CARBON 150	5% 1/4W F
D589	8-719-987-63	DIODE 1N4148M		R553	1-249-407-11	CARBON 150	5% 1/4W F
		< FILTER >		R554	1-249-407-11	CARBON 150	5% 1/4W F
FL501	1-517-618-11	INDICATOR TUBE, FLUORESCENT		R555	1-249-401-11	CARBON 47	5% 1/4W F
		< IC >		R556	1-249-403-11	CARBON 68	5% 1/4W F
IC501	8-759-483-31	IC TMP87CM75F-6608		R557	1-249-399-11	CARBON 33	5% 1/4W F
IC502	8-759-332-18	IC GP1U27XB		R559	1-247-807-31	CARBON 100	5% 1/4W
IC503	8-759-165-82	IC PST600E-T		R560	1-247-807-31	CARBON 100	5% 1/4W
IC504	8-759-372-64	IC M66313FP-200C		R561	1-247-807-31	CARBON 100	5% 1/4W
		< COIL >		R563	1-247-807-31	CARBON 100	5% 1/4W
L502	1-408-074-00	INDUCTOR 56uH		R564	1-247-807-31	CARBON 100	5% 1/4W
		< TRANSISTOR >		R565	1-247-807-31	CARBON 100	5% 1/4W
Q501	8-729-119-78	TRANSISTOR 2SC403SP-51		R566	1-247-807-31	CARBON 100	5% 1/4W
Q502	8-729-422-57	TRANSISTOR UN4111		R567	1-247-807-31	CARBON 100	5% 1/4W
Q503	8-729-119-78	TRANSISTOR 2SC403SP-51		R568	1-247-807-31	CARBON 100	5% 1/4W
Q504	8-729-422-57	TRANSISTOR UN4111		R569	1-247-807-31	CARBON 100	5% 1/4W
Q505	8-729-422-57	TRANSISTOR UN4111		R570	1-247-807-31	CARBON 100	5% 1/4W
Q506	8-729-422-57	TRANSISTOR UN4111		R571	1-247-807-31	CARBON 100	5% 1/4W
Q507	8-729-422-57	TRANSISTOR UN4111		R572	1-247-807-31	CARBON 100	5% 1/4W
Q508	8-729-422-57	TRANSISTOR UN4111		R573	1-247-807-31	CARBON 100	5% 1/4W
Q509	8-729-422-57	TRANSISTOR UN4111		R574	1-247-807-31	CARBON 100	5% 1/4W
Q510	8-729-422-57	TRANSISTOR UN4111		R575	1-247-807-31	CARBON 100	5% 1/4W
		< RESISTOR >		R576	1-247-807-31	CARBON 100	5% 1/4W
R501	1-249-407-11	CARBON 150	5% 1/4W F	R577	1-247-807-31	CARBON 100	5% 1/4W
R502	1-249-409-11	CARBON 220	5% 1/4W F	R580	1-249-425-11	CARBON 4.7K	5% 1/4W F
R503	1-249-411-11	CARBON 330	5% 1/4W	R581	1-249-425-11	CARBON 4.7K	5% 1/4W F
R504	1-249-413-11	CARBON 470	5% 1/4W F	R583	1-249-403-11	CARBON 68	5% 1/4W F
R505	1-249-415-11	CARBON 680	5% 1/4W F	R584	1-249-403-11	CARBON 68	5% 1/4W F
R506	1-249-417-11	CARBON 1K	5% 1/4W F	R585	1-249-403-11	CARBON 68	5% 1/4W F
R507	1-249-407-11	CARBON 150	5% 1/4W F	R586	1-249-403-11	CARBON 68	5% 1/4W F
R508	1-249-411-11	CARBON 330	5% 1/4W	R587	1-249-403-11	CARBON 68	5% 1/4W F
R511	1-249-407-11	CARBON 150	5% 1/4W F	R588	1-249-403-11	CARBON 68	5% 1/4W F
R512	1-249-409-11	CARBON 220	5% 1/4W F	R589	1-249-403-11	CARBON 68	5% 1/4W F
R513	1-249-411-11	CARBON 330	5% 1/4W	R590	1-249-403-11	CARBON 68	5% 1/4W F
R514	1-249-413-11	CARBON 470	5% 1/4W F	R601	1-249-433-11	CARBON 22K	5% 1/4W
R515	1-249-415-11	CARBON 680	5% 1/4W F	R602	1-249-437-11	CARBON 47K	5% 1/4W
R516	1-249-417-11	CARBON 1K	5% 1/4W F	R603	1-249-437-11	CARBON 47K	5% 1/4W
R517	1-249-419-11	CARBON 1.5K	5% 1/4W F	R604	1-249-429-11	CARBON 10K	5% 1/4W
				R605	1-249-441-11	CARBON 100K	5% 1/4W
				R606	1-249-425-11	CARBON 4.7K	5% 1/4W F
				R610	1-249-429-11	CARBON 10K	5% 1/4W
				R611	1-249-429-11	CARBON 10K	5% 1/4W
				R613	1-249-429-11	CARBON 10K	5% 1/4W

Ref. No.	Part No.	Description	Remarks	Ref. No.	Part No.	Description	Remarks
R614	1-249-409-11	CARBON	220 5% 1/4W F	S524	1-762-751-11	SWITCH, TACTILE (TUNER BAND)	
R615	1-249-409-11	CARBON	220 5% 1/4W F	S525	1-762-751-11	SWITCH, TACTILE (TIMER SELECT)	
R616	1-247-843-11	CARBON	3.3K 5% 1/4W	S526	1-762-751-11	SWITCH, TACTILE (CLOCK TIMER SET)	
R617	1-247-843-11	CARBON	3.3K 5% 1/4W	S531	1-762-751-11	SWITCH, TACTILE (KARAOKE PON/MPX)	
R618	1-247-843-11	CARBON	3.3K 5% 1/4W	S532	1-762-751-11	SWITCH, TACTILE (SURROUND)	
R619	1-249-429-11	CARBON	10K 5% 1/4W	S533	1-762-751-11	SWITCH, TACTILE (LOOP)	
R620	1-249-429-11	CARBON	10K 5% 1/4W	S535	1-467-869-11	ENCODER, ROTARY (VOLUME)	
R621	1-249-429-11	CARBON	10K 5% 1/4W	S537	1-762-751-11	SWITCH, TACTILE (WAVE)	
R622	1-249-429-11	CARBON	10K 5% 1/4W	S538	1-762-751-11	SWITCH, TACTILE (DISPLAY)	
R623	1-249-429-11	CARBON	10K 5% 1/4W			< VIBRATOR >	
R624	1-249-429-11	CARBON	10K 5% 1/4W	X501	1-579-125-11	VIBRATOR, CERAMIC 5MHz	
R630	1-249-435-11	CARBON	33K 5% 1/4W	X502	1-567-098-41	VIBRATOR, CRYSTAL 32KHz	
R631	1-249-435-11	CARBON	33K 5% 1/4W	*****			
R632	1-249-437-11	CARBON	47K 5% 1/4W	*	1-666-065-11	PRI BOARD	
R633	1-247-903-00	CARBON	1M 5% 1/4W			*****	
R634	1-249-437-11	CARBON	47K 5% 1/4W		1-533-399-31	HOLDER, FUSE	
R635	1-247-903-00	CARBON	1M 5% 1/4W			< CONNECTOR >	
R636	1-249-435-11	CARBON	33K 5% 1/4W	CN851	1-564-321-00	PIN, CONNECTOR 2P	
R637	1-249-429-11	CARBON	10K 5% 1/4W			< FUSE >	
R638	1-249-437-11	CARBON	47K 5% 1/4W	△F851	1-532-465-51	FUSE, TIME LAG 3.15A 250V	(EXCEPT CND)
R639	1-249-437-11	CARBON	47K 5% 1/4W	△F852	1-576-193-21	FUSE, TIME LAG 6.3A 125V (CND)	
R640	1-247-903-00	CARBON	1M 5% 1/4W	△F852	1-532-506-51	FUSE, TIME LAG 6.3A 250V	(E,EA3,SP,MY,HK,TW,IA,AR,JE)
R641	1-247-903-00	CARBON	1M 5% 1/4W			< RESISTOR >	
R642	1-247-843-11	CARBON	3.3K 5% 1/4W (AEP,UK)	△R852	1-202-725-00	SOLID 3.3M 10% 1/2W (CND)	
R642	1-249-410-11	CARBON	270 5% 1/4W F (E3,EA3,SP,MY,HK,TW,IA)			< SWITCH >	
R642	1-249-425-11	CARBON	4.7K 5% 1/4W F (EE,CIS)	△VS851	1-572-675-11	SWITCH, POWER VOLTAGE CHANGE (E,EA3,SP,MY,HK,TW,IA,AR,JE)	
R642	1-249-414-11	CARBON	560 5% 1/4W F (JE)	*****			
R642	1-249-427-11	CARBON	6.8K 5% 1/4W F (CND)	*	1-666-059-11	SEC BOARD	
R643	1-249-427-11	CARBON	6.8K 5% 1/4W F			*****	
R662	1-247-903-00	CARBON	1M 5% 1/4W		1-533-399-11	HOLDER, FUSE	
R663	1-247-903-00	CARBON	1M 5% 1/4W			< CONNECTOR >	
R664	1-247-903-00	CARBON	1M 5% 1/4W	* CN852	1-564-527-11	PLUG, CONNECTOR 12P	
R665	1-247-903-00	CARBON	1M 5% 1/4W			< FUSE >	
R666	1-249-417-11	CARBON	1K 5% 1/4W F	△F857	1-532-749-11	FUSE, GLASS TUBE 8A 125V (CND)	
		< SWITCH >		△F857	1-532-506-51	FUSE, TIME LAG 6.3A 250V	(EXCEPT CND)
S501	1-762-751-11	SWITCH, TACTILE (MOVIE)		△F858	1-532-749-11	FUSE, GLASS TUBE 8A 125V (CND)	
S503	1-762-751-11	SWITCH, TACTILE (EFFECT ON/OFF)		△F858	1-532-506-51	FUSE, TIME LAG 6.3A 250V	(EXCEPT CND)
S504	1-762-751-11	SWITCH, TACTILE (LOW FREQ)				< CONNECTOR >	
S505	1-762-751-11	SWITCH, TACTILE (MEMORY)				< FUSE >	
S506	1-762-751-11	SWITCH, TACTILE (TUNING MODE)				< SWITCH >	
S507	1-762-751-11	SWITCH, TACTILE (FLASH)				< FUSE >	
S508	1-762-751-11	SWITCH, TACTILE (POWER)				< SWITCH >	
S509	1-762-751-11	SWITCH, TACTILE (RDS)(AEP,UK)				< FUSE >	
S512	1-762-751-11	SWITCH, TACTILE (GAME)				< SWITCH >	
S513	1-762-751-11	SWITCH, TACTILE (P FILE)				< FUSE >	
S514	1-762-751-11	SWITCH, TACTILE (MEMO)				< SWITCH >	
S515	1-762-751-11	SWITCH, TACTILE (HIGH FREQ)				< FUSE >	
S516	1-762-751-11	SWITCH, TACTILE (REPEAT)				< SWITCH >	
S517	1-762-751-11	SWITCH, TACTILE (1/ALL DISCS)				< FUSE >	
S518	1-762-751-11	SWITCH, TACTILE (PLAY MODE)				< SWITCH >	
S519	1-762-751-11	SWITCH, TACTILE (EDIT)				< FUSE >	
S520	1-762-751-11	SWITCH, TACTILE (DBFB)				< SWITCH >	
S521	1-762-751-11	SWITCH, TACTILE (GROOVE)				< FUSE >	
S522	1-762-751-11	SWITCH, TACTILE (FUNCTION)				< SWITCH >	
S523	1-762-751-11	SWITCH, TACTILE (MONO/ST)				< FUSE >	

The components identified by mark $\Delta$ or dotted line with mark $\Delta$ are critical for safety. Replace only with part number specified.	Les composants identifiés par une marque $\Delta$ sont critiques pour la sécurité. Ne les remplacer que par une pièce portant le numéro spécifié.
--	---

Ref. No.	Part No.	Description	Remarks		
< RESISTOR >					
△R853	1-219-123-11	FUSIBLE 0.47 5%	1/4W	F	
△R854	1-219-123-11	FUSIBLE 0.47 5%	1/4W	F	
△R855	1-219-121-11	FUSIBLE 0.22 5%	1/4W	F	
△R856	1-219-121-11	FUSIBLE 0.22 5%	1/4W	F	
*****					
*	A-4303-582-A	TCB BOARD, COMPLETE (AEP, UK)			
*****					
*	A-4303-581-A	TCB BOARD, COMPLETE (EE,CIS)			
*****					
< CAPACITOR >					
C1	1-163-141-00	CERAMIC CHIP 0.001uF 5%			50V
C2	1-126-967-11	ELECT 47uF 20%			16V
C3	1-163-038-91	CERAMIC (2012) 100000PF			25V
C5	1-163-031-11	CERAMIC (2012) 10000PF			50V
C6	1-163-038-91	CERAMIC (2012) 100000PF			25V
C7	1-101-004-00	CERAMIC 0.01uF			50V
C8	1-163-031-11	CERAMIC (2012) 10000PF			50V
C9	1-163-031-11	CERAMIC (2012) 10000PF			50V
C10	1-163-031-11	CERAMIC (2012) 10000PF			50V
C16	1-163-038-91	CERAMIC (2012) 100000PF			25V
C19	1-163-249-11	CHIP CERAMIC (2012) 82PF			
C21	1-163-141-00	CERAMIC CHIP 0.001uF 5%			50V
C22	1-163-031-11	CERAMIC (2012) 10000PF			50V
C23	1-163-235-11	CHIP CERAMIC (2012) 22PF 5%			50V
C24	1-163-239-11	CHIP CERAMIC (2012) 33PF 5%			50V
C26	1-126-967-11	ELECT 47uF 20%			16V
C28	1-126-967-11	ELECT 47uF 20%			16V
C29	1-162-306-11	CERAMIC 0.01uF 20%			16V
C30	1-126-961-11	ELECT 2.2uF 20%			50V
C31	1-163-031-11	CERAMIC (2012) 10000PF			50V
C32	1-163-038-91	CERAMIC (2012) 100000PF			25V
C33	1-163-038-91	CERAMIC (2012) 100000PF			25V
C34	1-163-229-11	CHIP CERAMIC (2012) 12PF 5%			50V
C36	1-163-141-00	CERAMIC CHIP 0.001uF 5%			50V
C37	1-163-141-00	CERAMIC CHIP 0.001uF 5%			50V
C39	1-163-141-00	CERAMIC CHIP 0.001uF 5%			50V
C40	1-163-031-11	CERAMIC (2012) 10000PF			50V
C41	1-163-031-11	CERAMIC (2012) 10000PF			50V
C42	1-163-038-91	CERAMIC (2012) 100000PF			25V
C43	1-163-038-91	CERAMIC (2012) 100000PF			25V
C44	1-163-031-11	CERAMIC (2012) 10000PF			50V
C45	1-163-038-91	CERAMIC (2012) 100000PF			25V
C46	1-163-077-00	CERAMIC CHIP 0.1uF 10%			25V
C47	1-126-967-11	ELECT 47uF 20%			16V
C48	1-163-031-11	CERAMIC (2012) 10000PF			50V
C49	1-126-959-11	ELECT 0.47uF 20%			50V
C50	1-126-960-11	ELECT 1uF 20%			50V
C51	1-126-960-11	ELECT 1uF 20%			50V
C52	1-126-964-11	ELECT 10uF 20%			50V
C53	1-126-964-11	ELECT 10uF 20%			50V
C54	1-104-396-11	ELECT 10uF 20%			16V
C55	1-104-396-11	ELECT 10uF 20%			16V
C56	1-104-396-11	ELECT 10uF 20%			16V
C57	1-163-017-00	CERAMIC CHIP 0.0047uF 5%			50V
C58	1-163-017-00	CERAMIC CHIP 0.0047uF 5%			50V

Ref. No.	Part No.	Description	Remarks		
C59	1-163-909-11	CERAMIC CHIP 0.047uF 10%			25V (AEP,UK)
C59	1-163-989-11	CERAMIC CHIP 0.033uF 10%			25V (EE,CIS)
C60	1-163-909-11	CERAMIC CHIP 0.047uF 10%			25V (AEP,UK)
C60	1-163-989-11	CERAMIC CHIP 0.033uF 10%			25V (EE,CIS)
C61	1-126-301-11	ELECT 1uF 20%			50V
C62	1-163-141-00	CERAMIC CHIP 0.001uF 5%			50V
C63	1-163-017-00	CERAMIC CHIP 0.0047uF 5%			50V
C64	1-126-967-11	ELECT 47uF 20%			16V
C65	1-163-031-11	CERAMIC (2012) 10000PF			50V
C66	1-126-162-11	ELECT 3.3uF 20%			50V
C67	1-126-933-11	ELECT 100uF 20%			10V
C68	1-162-306-11	CERAMIC 0.01uF 20%			16V
C71	1-162-306-11	CERAMIC 0.01uF 20%			16V
C72	1-126-967-11	ELECT 47uF 20%			16V
C120	1-163-105-00	CERAMIC CHIP 33PF 5%			50V (AEP,UK)
C1701	1-162-294-31	CERAMIC 0.001uF 10%			50V (EE,CIS)
C1702	1-130-014-00	PP FILM 470PF 5%			16V (EE,CIS)
C1703	1-126-959-11	ELECT 0.47uF 20%			50V (EE,CIS)
C1704	1-126-959-11	ELECT 0.47uF 20%			50V (EE,CIS)
C1705	1-163-035-00	CERAMIC CHIP 0.047uF			50V (EE,CIS)
C1706	1-126-960-11	ELECT 1uF 20%			50V (EE,CIS)
C1707	1-163-129-00	CERAMIC CHIP 330P 5%			50V (EE,CIS)
C1710	1-163-141-00	CERAMIC CHIP 0.001uF 5%			50V (EE,CIS)
C1711	1-163-141-00	CERAMIC CHIP 0.001uF 5%			50V (EE,CIS)
C1712	1-130-736-11	PP FILM 0.01uF 5%			16V (EE,CIS)
C1713	1-130-736-11	PP FILM 0.01uF 5%			16V (EE,CIS)
C1714	1-126-960-11	ELECT 1uF 20%			50V (EE,CIS)
C1715	1-126-960-11	ELECT 1uF 20%			50V (EE,CIS)
C1716	1-126-960-11	ELECT 1uF 20%			50V (EE,CIS)
C1719	1-126-967-11	ELECT 47uF 20%			16V (EE,CIS)
C1720	1-163-031-11	CERAMIC CHIP 0.01uF			50V (EE,CIS)
C1723	1-163-031-11	CERAMIC CHIP 0.01uF			50V (EE,CIS)
C1724	1-163-031-11	CERAMIC CHIP 0.01uF			50V (EE,CIS)
C1725	1-126-967-11	ELECT 47uF 20%			16V (EE,CIS)
C1726	1-126-960-11	ELECT 1uF 20%			50V (EE,CIS)

The components identified by mark △ or dotted line with mark △ are critical for safety. Replace only with part number specified.	Les composants identifiés par une marque △ sont critiques pour la sécurité. Ne les remplacer que par une pièce portant le numéro spécifié.
--	--

Ref. No.	Part No.	Description	Remarks	Ref. No.	Part No.	Description	Remarks
C1727	1-126-960-11	ELECT	1uF 20%	50V (EE,CIS)		< IC >	
C1728	1-126-966-11	ELECT	33uF 20%	16V (EE,CIS)	IC21	8-759-288-54	IC LC72130
C1751	1-164-159-21	CERAMIC	0.01uF	50V (AEP,UK)	IC41	8-759-176-03	IC LA1835
C1752	1-126-967-11	ELECT	47uF 20%	16V (AEP,UK)	IC1701	8-759-063-04	IC IR3R42 (EE,CIS)
C1753	1-262-964-11	ELECT	10uF 20%	50V (AEP,UK)	IC1702	8-759-140-53	IC MC14053BCP (EE,CIS)
					IC1751	8-759-963-51	IC NJM4558D (AEP,UK)
C1754	1-162-291-31	CERAMIC	560PF 10%	50V (AEP,UK)	IC1752	8-759-450-86	IC BU1922 (AEP,UK)
C1755	1-126-964-11	ELECT	10uF 20%	50V (AEP,UK)		< IFT >	
C1756	1-126-961-11	ELECT	2.2uF 20%	50V (AEP,UK)	IFT41	1-409-636-11	TRANSFORMER,IF (CERAMIC FILTER)
C1757	1-162-288-31	CERAMIC	330PF 10%	50V (AEP,UK)		< CHIP CONDUCTOR >	
C1758	1-163-031-11	CERAMIC (2012)	10000PF	50V (AEP,UK)	JR2	1-216-295-91	CONDUCTOR, CHIP (2012)
C1759	1-163-135-00	CERAMIC CHIP	560PF 5%	50V (AEP,UK)	JR6	1-216-295-91	CONDUCTOR, CHIP (2012)
C1760	1-163-031-11	CERAMIC (2012)	10000PF	50V (AEP,UK)	JR8	1-216-295-91	CONDUCTOR, CHIP (2012)
C1761	1-163-243-11	CERAMIC CHIP	47PF 5%	50V (AEP,UK)	JR9	1-216-295-91	CONDUCTOR, CHIP (2012)
C1762	1-163-249-11	CERAMIC CHIP	82PF 5%	50V (AEP,UK)	JR45	1-216-295-91	CONDUCTOR, CHIP (2012)
		< CERAMIC FILTER >			JR46	1-216-296-91	CONDUCTOR, CHIP (3216)
CF1	1-567-389-11	FILTER, CERAMIC			JR47	1-216-295-91	CONDUCTOR, CHIP (2012)
CF2	1-760-393-11	FILTER, CERAMIC (AEP,UK)			JR48	1-216-295-91	CONDUCTOR, CHIP (2012)
CF3	1-567-389-11	FILTER, CERAMIC			JR49	1-216-296-91	CONDUCTOR, CHIP (3216)
CF3	1-760-393-11	FILTER, CERAMIC (AEP,UK)			JR51	1-216-295-91	CONDUCTOR, CHIP (2012)
		< CONNECTOR >			JR52	1-216-295-91	CONDUCTOR, CHIP (2012)
CN1	1-774-292-11	SOCKET, CONNECTOR 15P			JR53	1-216-296-91	CONDUCTOR, CHIP (3216)
		< TRIMMER >			JR54	1-216-295-91	CONDUCTOR, CHIP (2012)
CT1701	1-141-444-11	CAP, CERAMIC TRIMMER 50PF (EE,CIS)			JR1701	1-216-295-91	CONDUCTOR, CHIP (2012) (EE,CIS)
		< DIODE >			JR1702	1-216-295-91	CONDUCTOR, CHIP (2012) (EE,CIS)
D21	8-719-976-99	DIODE UDZ-TE-17-5.1B			JR1703	1-216-295-91	CONDUCTOR, CHIP (2012) (EE,CIS)
D41	8-719-016-74	DIODE 1SS352-TPH3			JR1704	1-216-295-91	CONDUCTOR, CHIP (2012) (EE,CIS)
D42	8-719-987-63	DIODE 1N4148M-TA (AEP,UK)			JR1705	1-216-295-91	CONDUCTOR, CHIP (2012) (EE,CIS)
D42	8-719-016-74	DIODE 1SS352-TPH3 (EE,CIS)				< INDUCTOR >	
D43	8-719-016-74	DIODE 1SS352-TPH3 (EE,CIS)			L2	1-414-142-11	INDUCTOR, MICRO 10uH (AEP,UK)
D1701	8-719-016-74	DIODE 1SS352-TPH3 (EE,CIS)			L3	1-410-521-11	INDUCTOR, MICRO 100uH
D1702	8-719-016-74	DIODE 1SS352-TPH3 (EE,CIS)			L4	1-410-515-11	INDUCTOR, MICRO 33uH (AEP,UK)
D1703	8-719-987-63	DIODE 1N4148M-TA (EE,CIS)			L41	1-407-500-00	MICRO INDUCTOR 4.7mH
D1704	8-719-016-74	DIODE 1SS352-TPH3 (EE,CIS)			L1701	1-409-497-11	COIL 5.19mH (FILTER) (EE,CIS)
D1751	8-719-016-74	DIODE 1SS352-TPH3 (AEP,UK)			L1751	1-410-521-11	INDUCTOR, MICRO 100uH (AEP,UK)
		< TUNER UNIT >				< LOW-PASS FILTER >	
FE1	1-233-542-12	FRONT END (AEP,UK)			LPF41	1-239-845-11	FILTER, LOW-PASS
FE1	1-465-396-11	FRONT END (3 GANG) (EE,CIS)			LPF42	1-239-845-11	FILTER, LOW-PASS
FE2	1-233-514-11	ENCAPSULATED COMPONENT				< TRANSISTOR >	
					Q1	8-729-201-27	TRANSISTOR 2SC2715Y-TE85L
					Q2	8-729-201-27	TRANSISTOR 2SC2715Y-TE85L
					Q3	8-729-201-27	TRANSISTOR 2SC2715Y-TE85L
					Q4	8-729-201-27	TRANSISTOR 2SC2715Y-TE85L
					Q5	8-729-424-08	TRANSISTOR MUN2111T1
					Q9	8-729-216-22	TRANSISTOR 2SA812-T1-M5M6
					Q11	8-729-421-22	TRANSISTOR MUN2211T1
					Q12	8-729-421-22	TRANSISTOR MUN2211T1
					Q13	8-729-421-22	TRANSISTOR MUN2211T1
					Q14	8-729-421-22	TRANSISTOR MUN2211T1

Ref. No.	Part No.	Description	Remarks	Ref. No.	Part No.	Description	Remarks
Q1701	8-729-424-08	TRANSISTOR MUN2111T1 (EE,CIS)		R50	1-216-065-00	METAL CHIP 4.7K	5% 1/10W
Q1702	8-729-907-00	TRANSISTOR RT1N141M-TP-1 (EE,CIS)		R51	1-216-065-00	METAL CHIP 4.7K	5% 1/10W
Q1703	8-729-421-22	TRANSISTOR MUN2211T1 (EE,CIS)		R53	1-249-429-11	CARBON 10K	5% 1/4W
		< RESISTOR >		R55	1-216-162-00	CHIP (3216) 33	5% 1/8W
				R56	1-249-393-11	CARBON 10	5% 1/4W
R2	1-216-037-00	METAL CHIP 330	5% 1/10W	R91	1-216-295-91	CONDUCTOR, CHIP (2012)	
R3	1-216-037-00	METAL CHIP 330	5% 1/10W	R92	1-216-073-00	METAL CHIP 10K	5% 1/10W
R5	1-216-037-00	METAL CHIP 330	5% 1/10W	R99	1-249-399-11	CARBON 33	5% 1/4W
R6	1-216-081-00	METAL CHIP 22K	5% 1/10W	R1701	1-216-081-00	METAL CHIP 22K	5% 1/10W (EE,CIS)
R7	1-216-037-00	METAL CHIP 330	5% 1/10W	R1702	1-216-085-00	METAL CHIP 33K	5% 1/10W (EE,CIS)
R8	1-216-037-00	METAL CHIP 330	5% 1/10W				
R9	1-216-081-00	METAL CHIP 22K	5% 1/10W	R1703	1-216-069-00	METAL CHIP 6.8K	5% 1/10W (EE,CIS)
R10	1-216-037-00	METAL CHIP 330	5% 1/10W	R1704	1-216-075-00	METAL CHIP 12K	5% 1/10W (EE,CIS)
R11	1-216-081-00	METAL CHIP 22K	5% 1/10W	R1705	1-216-049-91	METAL CHIP 1K	5% 1/10W (EE,CIS)
R12	1-216-037-00	METAL CHIP 330	5% 1/10W	R1706	1-216-049-91	METAL CHIP 1K	5% 1/10W (EE,CIS)
R13	1-216-037-00	METAL CHIP 330	5% 1/10W	R1707	1-216-097-91	METAL CHIP 100K	5% 1/10W (EE,CIS)
R14	1-216-081-00	METAL CHIP 22K	5% 1/10W				
R18	1-216-073-00	METAL CHIP 10K	5% 1/10W	R1708	1-216-095-00	METAL CHIP 82K	5% 1/10W (EE,CIS)
R19	1-216-073-00	METAL CHIP 10K	5% 1/10W	R1709	1-216-089-91	METAL CHIP 47K	5% 1/10W (EE,CIS)
R21	1-216-049-00	METAL CHIP 1K	5% 1/10W (AEP,UK)	R1710	1-216-073-00	METAL CHIP 10K	5% 1/10W (EE,CIS)
R21	1-249-417-11	CARBON 1K	5% 1/4W (EE,CIS)	R1711	1-249-429-11	CARBON 10K	5% 1/4W (EE,CIS)
R22	1-216-049-00	METAL CHIP 1K	5% 1/10W (AEP,UK)	R1714	1-216-067-00	METAL CHIP 5.6K	5% 1/10W (EE,CIS)
R22	1-249-417-11	CARBON 1K	5% 1/4W (EE,CIS)				
R23	1-216-049-00	METAL CHIP 1K	5% 1/10W (AEP,UK)	R1715	1-216-067-00	METAL CHIP 5.6K	5% 1/10W (EE,CIS)
R23	1-249-417-11	CARBON 1K	5% 1/4W (EE,CIS)	R1716	1-216-097-91	METAL CHIP 100K	5% 1/10W (EE,CIS)
R24	1-216-025-91	CHIP (2012) 100	5% 1/10W (AEP,UK)	R1717	1-216-097-91	METAL CHIP 100K	5% 1/10W (EE,CIS)
R24	1-247-807-31	CARBON 100	5% 1/4W (EE,CIS)	R1718	1-249-429-11	CARBON 10K	5% 1/4W (EE,CIS)
R25	1-249-417-11	CARBON 1K	5% 1/4W	R1719	1-216-097-91	METAL CHIP 100K	5% 1/10W (EE,CIS)
R26	1-249-437-11	CARBON 47K	5% 1/4W				
R27	1-249-429-11	CARBON 10K	5% 1/4W	R1720	1-249-434-11	CARBON 27K	5% 1/4W (EE,CIS)
R28	1-249-417-11	CARBON 1K	5% 1/4W	R1721	1-216-073-00	METAL CHIP 10K	5% 1/10W (EE,CIS)
R29	1-216-061-00	METAL CHIP 3.3K	5% 1/10W	R1751	1-247-807-31	CARBON 100K	5% 1/4W (AEP,UK)
R30	1-216-186-00	CHIP (3216) 330	5% 1/8W	R1752	1-216-073-00	METAL CHIP 10K	5% 1/10W (AEP,UK)
R31	1-216-025-91	CHIP (2012) 100	5% 1/10W	R1753	1-216-067-00	METAL CHIP 5.6K	5% 1/10W (AEP,UK)
R32	1-249-425-11	CARBON 4.7K	5% 1/4W				
R33	1-249-425-11	CARBON 4.7K	5% 1/4W	R1754	1-216-097-91	METAL CHIP 100K	5% 1/10W (AEP,UK)
R34	1-216-065-00	METAL CHIP 4.7K	5% 1/10W	R1755	1-216-097-91	METAL CHIP 100K	5% 1/10W (AEP,UK)
R35	1-216-214-00	CHIP (3216) 4.7K	5% 1/8W	R1756	1-249-401-11	CARBON 47	5% 1/4W (AEP,UK)
R36	1-216-025-91	CHIP (2012) 100	5% 1/10W	R1757	1-216-057-00	METAL CHIP 2.2K	5% 1/10W (AEP,UK)
R37	1-216-073-00	METAL CHIP 10K	5% 1/10W				
R38	1-216-089-91	CHIP (2012) 47K	5% 1/10W				
R39	1-249-429-11	CARBON 10K	5% 1/4W				
R42	1-216-073-00	METAL CHIP 10K	5% 1/10W				
R43	1-216-042-00	METAL CHIP 510	5% 1/10W				
R44	1-216-013-00	METAL CHIP 33	5% 1/10W				
R45	1-247-843-11	CARBON (SMALL) 3.3K	5% 1/4W				
R46	1-216-073-00	METAL CHIP 10K	5% 1/10W				
R47	1-216-097-91	CHIP (2012) 100K	5% 1/10W				
R48	1-249-417-11	CARBON 1K	5% 1/4W				
R49	1-216-049-91	CHIP (2012) 1.0K	5% 1/10W				

Ref. No.	Part No.	Description	Remarks
		< VARIABLE RESISTOR >	
RV41	1-238-601-11	ADJ, CARBON 22K	
RV42	1-238-600-11	ADJ, CARBON 10K	
RV1701	1-238-600-11	ADJ, CARBON 10K (EE,CIS)	
RV1702	1-238-599-11	ADJ, CARBON 4.7K (EE,CIS)	
		< TERMINAL >	
TM1	1-537-488-11	TERMINAL BOARD (ANT) (ANTENNA)	
		< VIBRATOR >	
X21	1-760-549-11	VIBRATOR, CRYSTAL (4.5MHz)	
X41	1-760-220-11	FILTER, CERAMIC (10.7MHz)	
X42	1-527-981-00	FILTER, CERAMIC (450kHz)	
X43	1-577-075-11	OSCILLATOR, CERAMIC (456kHz)	
X1751	1-579-900-21	VIBRATOR, CRYSTAL (4.332MHz) (AEP,UK)	
*****			
		MISCELLANEOUS	
		*****	
6	1-233-544-21	ENCAPSULATED COMPONENT(CND)	
6	1-233-545-21	ENCAPSULATED COMPONENT (E2,EA4,TH,AR,AUS)	
6	1-233-546-21	ENCAPSULATED COMPONENT (E3,EA3,MY,SP,HK,TW,IA)	
6	1-693-385-21	TUNER (JE)	
7	1-666-067-11	DUMMY BOARD	
△ 12	1-690-608-11	CORD, POWER (AUS)	
△ 12	1-751-326-31	CORD, POWER (TH)	
△ 12	1-777-070-21	CORD, POWER (CND)	
△ 12	1-777-071-21	CORD, POWER (AEP,EE,CIS,EA3,EA4,MY,SP,HK,TW,AR)	
△ 12	1-777-513-11	CORD, POWER (UK)	
△ 12	1-782-315-11	CORD, POWER (E,IA,JE)	
△ 13	1-569-007-11	ADAPTOR, CONVERSION 2P (E,EA4,IA,JE)	
△ 13	1-569-008-21	ADAPTOR, CONVERSION 2P (EA3,MY,SP,TW,AR)	
△ 13	1-770-019-11	ADAPTOR, CONVERSION PLUG 3P (HK)	
△ F851	1-532-465-51	FUSE, TIME LAG 3.15A 250V (EXCEPT CND)	
△ F852	1-576-193-21	FUSE, TIME LAG 6.3A 125V (CND)	
△ F852	1-532-506-51	FUSE, TIME LAG 6.3A 250V (EA3,SP,MY,HK,TW,IA,AR,JE)	
△ F857	1-532-749-11	FUSE, GLASS TUBE 8A 125V (CND)	
△ F857	1-532-506-51	FUSE, TIME LAG 6.3A 250V (EXCEPT CND,IA,JE)	
△ F858	1-532-749-11	FUSE, GLASS TUBE 8A 125V (CND)	
△ F858	1-532-506-51	FUSE, TIME LAG 6.3A 250V (EXCEPT CND,IA,JE)	
△ T901	1-431-364-11	TRANSFORMER, POWER (CND)	
△ T901	1-431-365-11	TRANSFORMER, POWER (E,EA3,EA4,MY,SP,HK,TW,IA,TH,AR,AUS,JE)	
△ T901	1-431-366-11	TRANSFORMER, POWER (AEP,UK,EE,CIS)	
*****			

Ref. No.	Part No.	Description	Remarks
		*****	
		HARDWARE LIST	
		*****	
#1	7-685-872-09	SCREW +BVTT 3X8 (S)	
#2	7-685-881-09	SCREW +BVTT 4X8 (S)	
#3	7-685-646-79	SCREW +BVTP 3X8 TYPE2 N-S	
#4	7-685-647-79	SCREW +BVTP 3X10 TYPE2 N-S	
#5	7-685-650-79	SCREW +BVTP 3X16 TYPE2 IT-3	

The components identified by mark △ or dotted line with mark △ are critical for safety. Replace only with part number specified.	Les composants identifiés par une marque △ sont critiques pour la sécurité. Ne les remplacer que par une pièce portant le numéro spécifié.
--	--



