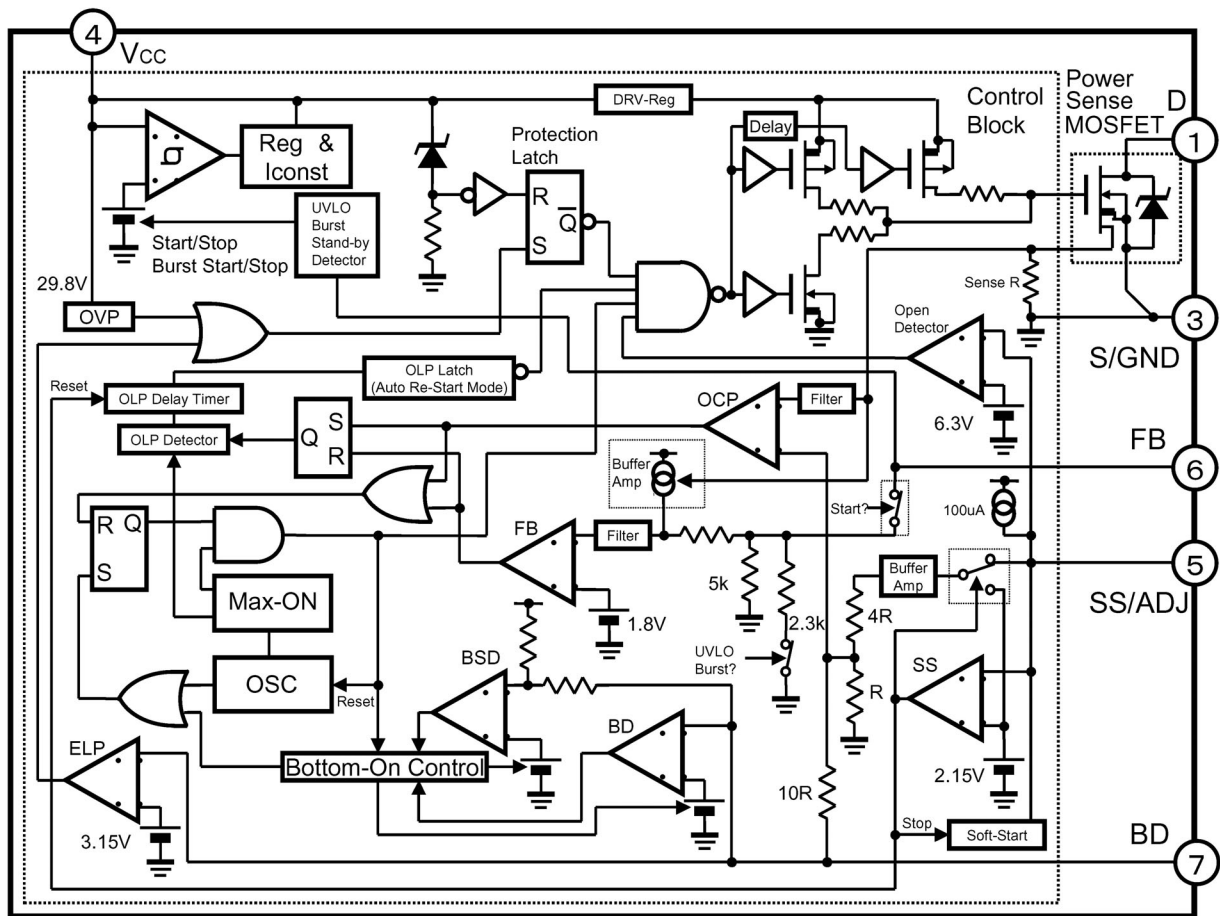


2.STR-W6553A



Pin function:

No	STR-W6500 [T0220F-6L]	STR-X6500 [T03PF-7L]	Name	Function
1		D	Drain terminal	Drain of MOSFET
2	-	S	Source/Ground terminal	MOSFET Source and Ground
3	S/GND	GND		
4		Vcc	Power terminal	Control power input
5		SS/ADJ	Soft-Start/over current protect	Over current protect and Soft-Start timer adjust
6		FB	Feed Back terminal	Timing voltage control signal input Gap oscillation control
7		BD	Bottom check terminal	Bottom check signal input and external Latch signal input