

CHECK	1
CHECK	2

BG. COIL	1
DG. COIL	2
DG. COIL	3

AC 2	3
NC	2
AC 1	1

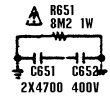
1	35V
2	AU. GND

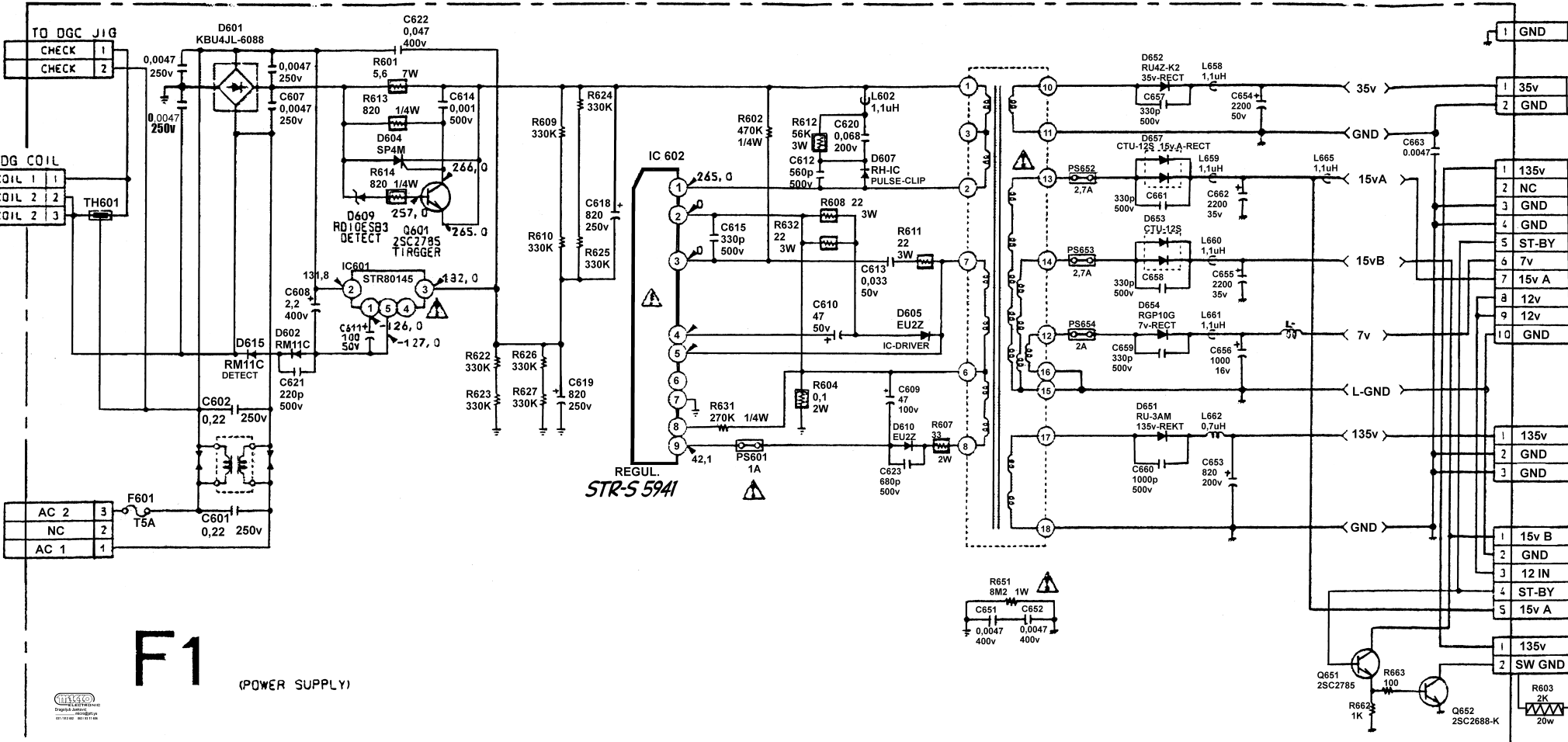
1	135V
2	NC
3	GND
4	GND
5	ST. BY
6	7V
7	15V A
8	42V
9	12V
10	NC
11	GND

1	135V
2	GND
3	GND

1	15V B
2	GND
3	12V IN
4	ST. BY
5	15V A

micro ELECTRONIC
 Dragoljub Janković
 micro@ptt.yu
 031/512 402 063/83 11 606





F1

(POWER SUPPLY)

