



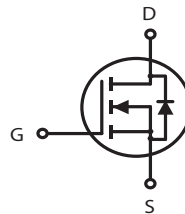
## N-Channel Enhancement Mode Field Effect Transistor

## PRODUCT SUMMARY

V <sub>DSS</sub>	I <sub>D</sub>	R <sub>DS(ON)</sub> (m $\Omega$ ) Max
55V	19A	43@ V <sub>GS</sub> = 10V
		58@ V <sub>GS</sub> = 4.5V

## FEATURES

- Super high dense cell design for low R<sub>DS(ON)</sub>.
- Rugged and reliable.
- TO-252 and TO-251 Package.

ABSOLUTE MAXIMUM RATINGS (T<sub>A</sub>=25°C unless otherwise noted)

Parameter	Symbol	Limit	Unit	
Drain-Source Voltage Rating	V <sub>spike</sub> <sup>d</sup>	60	V	
Drain-Source Voltage	V <sub>DS</sub>	55	V	
Gate-Source Voltage	V <sub>GS</sub>	±20	V	
Drain Current-Continuous <sup>a</sup> @ T <sub>a</sub>	I <sub>D</sub>	25°C	19	A
		70°C	15	A
-Pulsed <sup>b</sup>	I <sub>DM</sub>	35	A	
Drain-Source Diode Forward Current <sup>a</sup>	I <sub>S</sub>	15	A	
Maximum Power Dissipation <sup>a</sup>	P <sub>D</sub>	T <sub>a</sub> =25°C	42	W
		T <sub>a</sub> =70°C	28	
Operating Junction and Storage Temperature Range	T <sub>J</sub> , T <sub>STG</sub>	-55 to 150	°C	

## THERMAL CHARACTERISTICS

Thermal Resistance, Junction-to-Case	R $\theta$ JC	3	°C/W
Thermal Resistance, Junction-to-Ambient	R $\theta$ JA	50	°C/W

# STU/D2555NL

N-Channel ELECTRICAL CHARACTERISTICS ( $T_A = 25\text{ }^\circ\text{C}$  unless otherwise noted)

Parameter	Symbol	Condition	Min	Typ <sup>c</sup>	Max	Unit
<b>OFF CHARACTERISTICS</b>						
Drain-Source Breakdown Voltage	$BV_{DSS}$	$V_{GS}=0V, I_D=250\mu A$	55			V
Zero Gate Voltage Drain Current	$I_{DSS}$	$V_{DS}=44V, V_{GS}=0V$			1	$\mu A$
Gate-Body Leakage	$I_{GSS}$	$V_{GS}=\pm 20V, V_{DS}=0V$			$\pm 100$	nA
<b>ON CHARACTERISTICS<sup>b</sup></b>						
Gate Threshold Voltage	$V_{GS(th)}$	$V_{DS}=V_{GS}, I_D=250\mu A$	1.4	1.8	2.5	V
Drain-Source On-State Resistance	$R_{DS(ON)}$	$V_{GS}=10V, I_D=8A$		28	43	m ohm
		$V_{GS}=4.5V, I_D=4A$		42	58	m ohm
On-State Drain Current	$I_{D(ON)}$	$V_{DS}=5V, V_{GS}=10V$	35			A
Forward Transconductance	$g_{FS}$	$V_{DS}=5V, I_D=8A$		11		S
<b>DYNAMIC CHARACTERISTICS<sup>c</sup></b>						
Input Capacitance	$C_{ISS}$	$V_{DS}=30V, V_{GS}=0V$ $f=1.0MHz$		928	1100	pF
Output Capacitance	$C_{OSS}$			99	113	pF
Reverse Transfer Capacitance	$C_{RSS}$			60	70	pF
Gate resistance	$R_g$	$V_{GS}=0V, V_{DS}=0V, f=1.0MHz$		3		ohm
<b>SWITCHING CHARACTERISTICS<sup>c</sup></b>						
Turn-On Delay Time	$t_{D(ON)}$	$V_{DD}=30V$ $I_D=1A$ $V_{GS}=10V$ $R_{GEN}=6\text{ ohm}$		8	9.5	ns
Rise Time	$t_r$			18	21	ns
Turn-Off Delay Time	$t_{D(OFF)}$			26.9	30.9	ns
Fall Time	$t_f$			11.2	13.1	ns
Total Gate Charge	$Q_g$	$V_{DS}=15V, I_D=8A, V_{GS}=10V$		16.6	19	nC
		$V_{DS}=15V, I_D=8A, V_{GS}=4.5V$		7.7	9.1	nC
Gate-Source Charge	$Q_{gs}$	$V_{DS}=15V, I_D=8A$		2.9	3.4	nC
Gate-Drain Charge	$Q_{gd}$	$V_{GS}=10V$		3.3	4.3	nC

# STU/D2555NL

## ELECTRICAL CHARACTERISTICS ( $T_c=25^\circ\text{C}$ unless otherwise noted)

Parameter	Symbol	Condition	Min	Typ	Max	Unit
<b>DRAIN-SOURCE DIODE CHARACTERISTICS <sup>a</sup></b>						
Diode Forward Voltage	$V_{SD}$	$V_{GS} = 0V, I_s = 15A$		0.9	1.2	V

### Notes

- a. Pulse Test: Pulse Width  $\leq 300\mu s$ , Duty Cycle  $\leq 2\%$ .
- b. Guaranteed by design, not subject to production testing.
- c. Guaranteed by design, not subject to production testing.
- d. Guaranteed when external  $R_g=6\ \text{ohm}$  and  $t_f < t_{f\ \text{max}}$

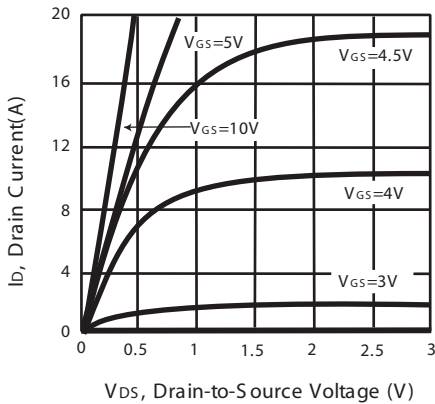


Figure 1. Output Characteristics

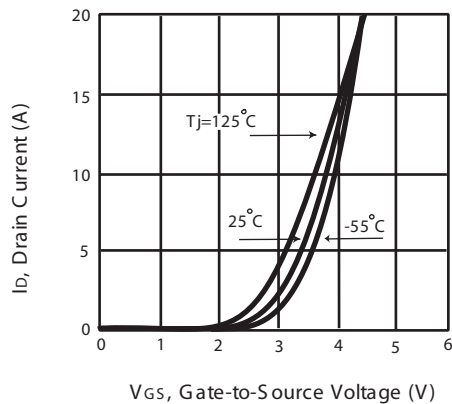


Figure 2. Transfer Characteristics

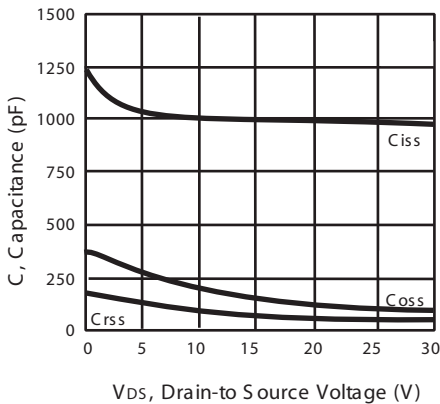


Figure 3. Capacitance

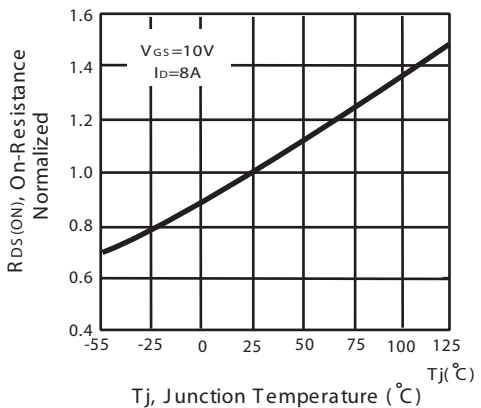


Figure 4. On-Resistance Variation with Drain Current and Temperature

# STU/D2555NL

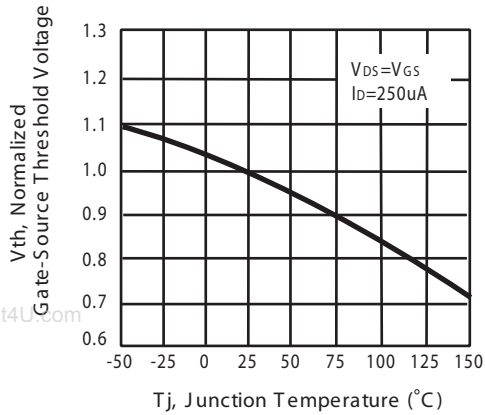


Figure 5. Gate Threshold Variation with Temperature

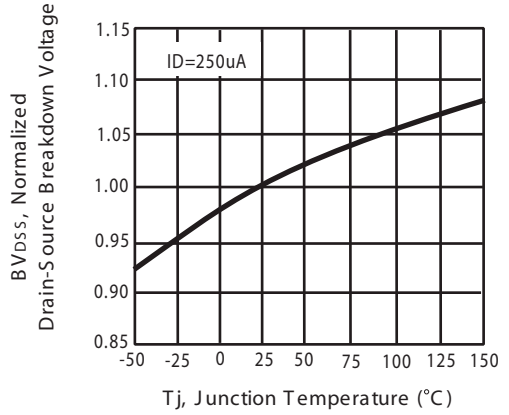


Figure 6. Breakdown Voltage Variation with Temperature

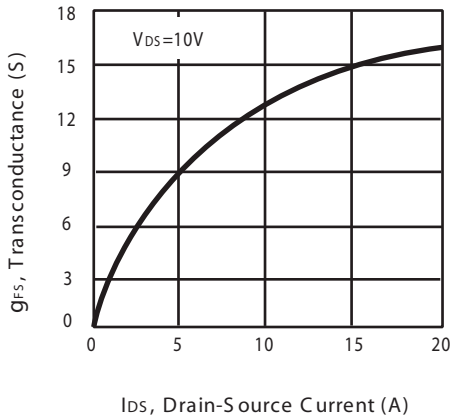


Figure 7. Transconductance Variation with Drain Current

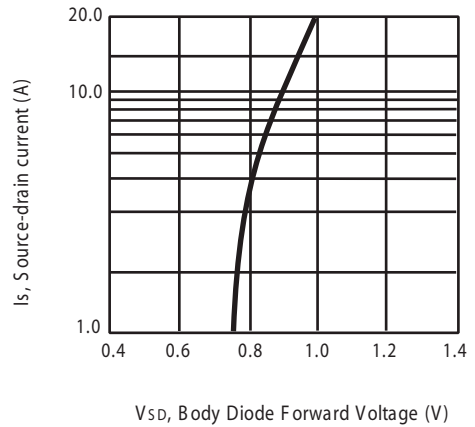


Figure 8. Body Diode Forward Voltage Variation with Source Current

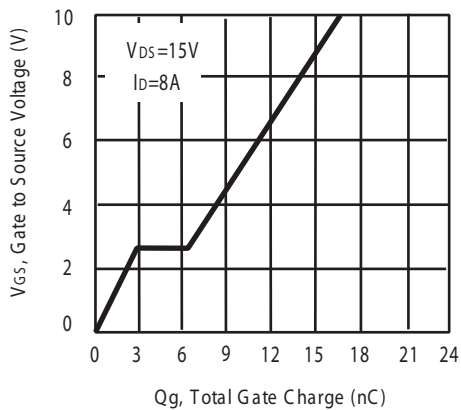


Figure 9. Gate Charge

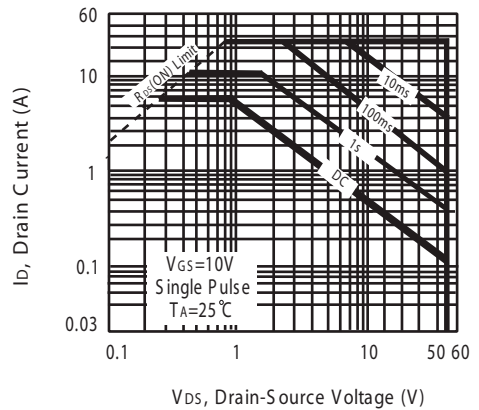


Figure 10. Maximum Safe Operating Area

# STU/D2555NL

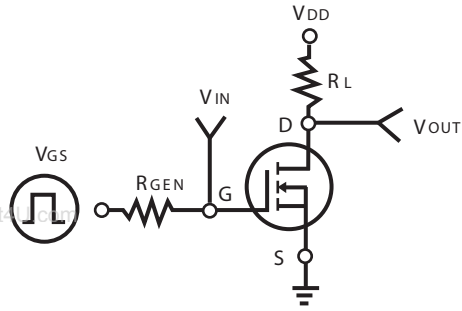


Figure 11. Switching Test Circuit

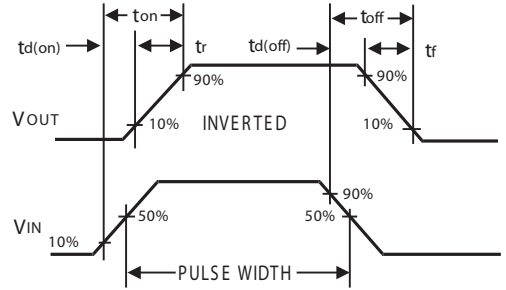
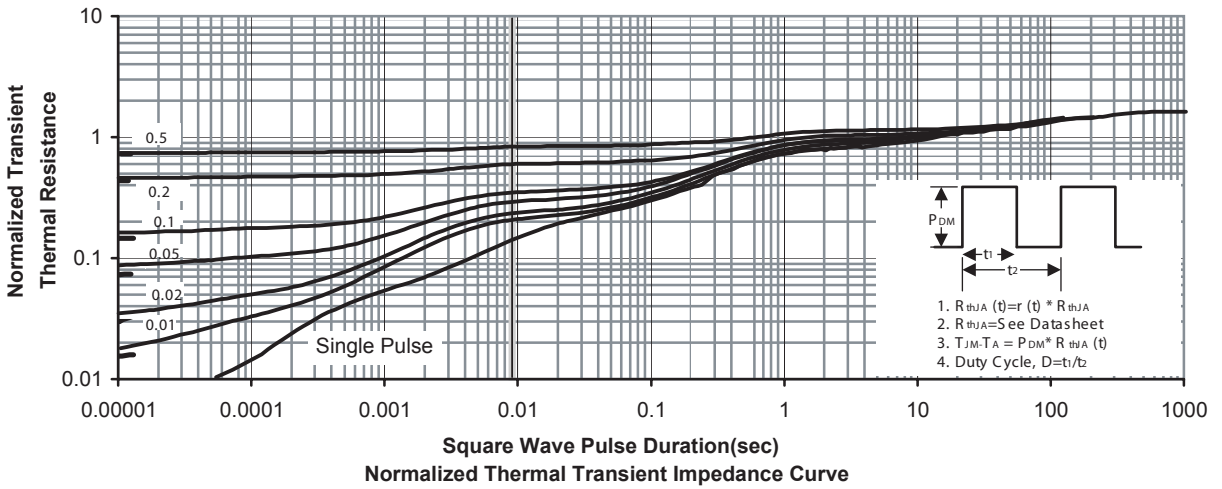


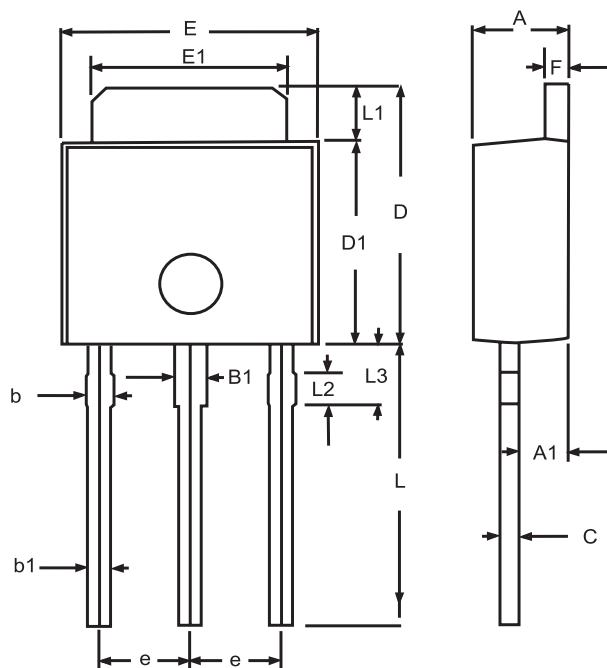
Figure 12. Switching Waveforms



# STU/D2555NL

## PACKAGE OUTLINE DIMENSIONS

### TO-251

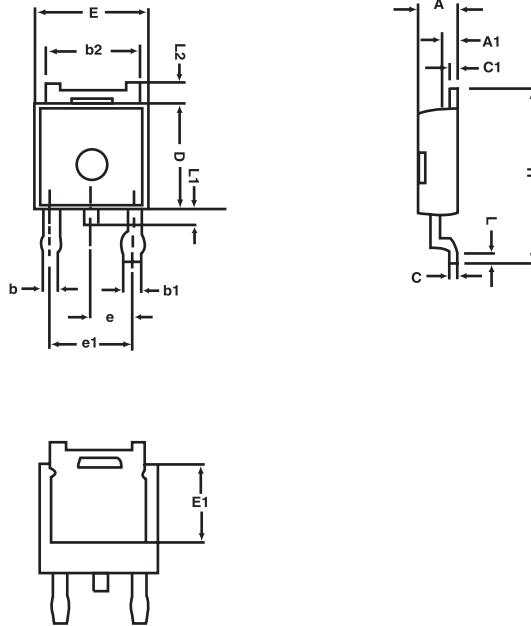


SYMBOLS	MILLIMETERS		INCHES	
	MIN	MAX	MIN	MAX
A	2.20	2.40	0.087	0.095
A1	1.100	1.300	0.043	0.051
B1	0.650	1.050	0.026	0.041
b	0.500	0.900	0.020	0.035
b1	0.400	0.800	0.016	0.32
C	0.400	0.600	0.016	0.024
D	6.700	7.300	0.264	0.287
D1	5.400	5.650	0.213	0.222
E	6.40	6.650	0.252	0.262
e	2.100	2.500	0.083	0.098
F	0.400	0.600	0.016	0.024
L	7.000	8.000	0.276	0.315
L1	1.300	1.700	0.051	0.067
L2	0.700	0.900	0.028	0.035
L3	1.400	1.800	0.055	0.071

# STU/D2555NL

## PACKAGE OUTLINE DIMENSIONS

### TO-252

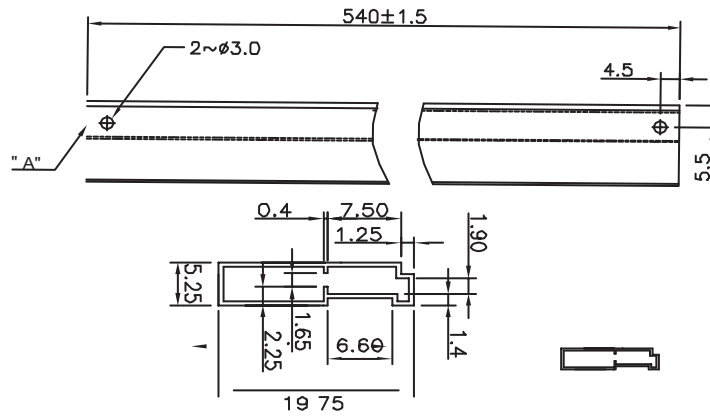


SYMBOLS	MILLIMETERS		INCHES	
	MIN	MAX	MIN	MAX
A	2.25	2.35	0.089	0.093
A1	0.95	1.05	0.037	0.041
b	0.77	0.85	0.030	0.033
b1	0.84	0.94	0.033	0.037
b2	5.30	5.45	0.209	0.215
C	0.49	0.53	0.019	0.021
D	6.00	6.20	0.236	0.244
E	6.40	6.60	0.252	0.260
E1	3.18	3.67	0.125	0.145
e	2.29	BSC	0.090	BSC
H	9.70	10.10	0.382	0.398
L	1.425	1.625	0.056	0.064
L1	0.650	0.850	0.026	0.033
L2	0.600	REF.	0.024	REF.

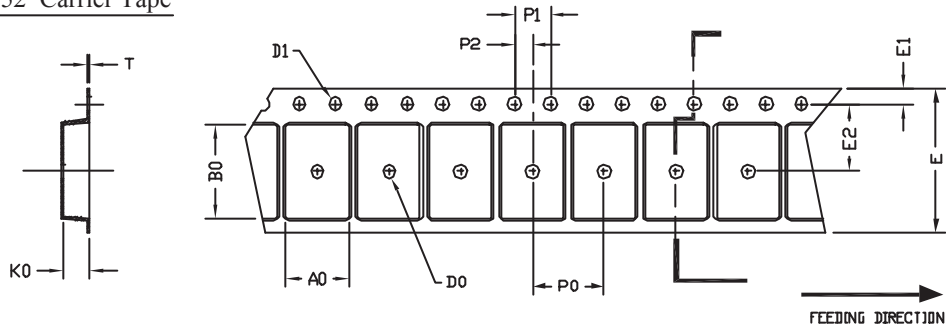
# STU/D2555NL

## TO251 Tube/TO-252 Tape and Reel Data

### TO-251 Tube



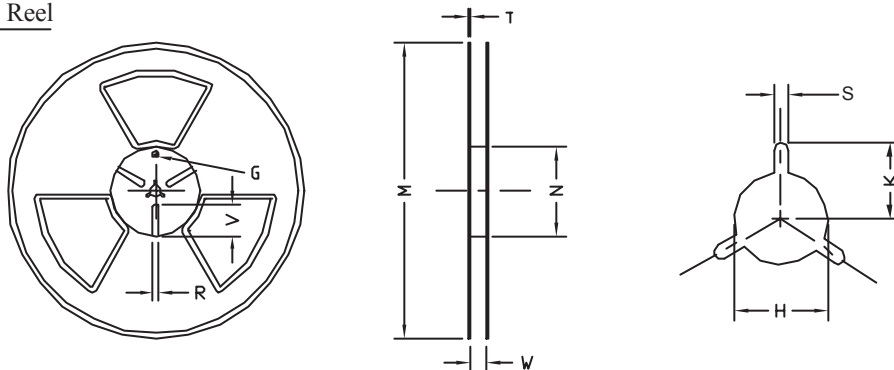
### TO-252 Carrier Tape



UNIT:mm

PACKAGE	A0	B0	K0	D0	D1	E	E1	E2	P0	P1	P2	T
TO-252 (16 mm)	6.80 ±0.1	10.3 ±0.1	2.50 ±0.1	φ 2	φ 1.5 + 0.1 - 0	16.0 0.3±	1.75 0.1±	7.5 ±0.15	8.0 ±0.1	4.0 ±0.1	2.0 ±0.15	0.3 ±0.05

### TO-252 Reel



UNIT:mm

TAPE SIZE	REEL SIZE	M	N	W	T	H	K	S	G	R	V
16 mm	φ 330	φ 330 ± 0.5	φ 97 ± 1.0	17.0 + 1.5 - 0	2.2	φ 13.0 + 0.5 - 0.2	10.6	2.0 ± 0.5	---	---	---