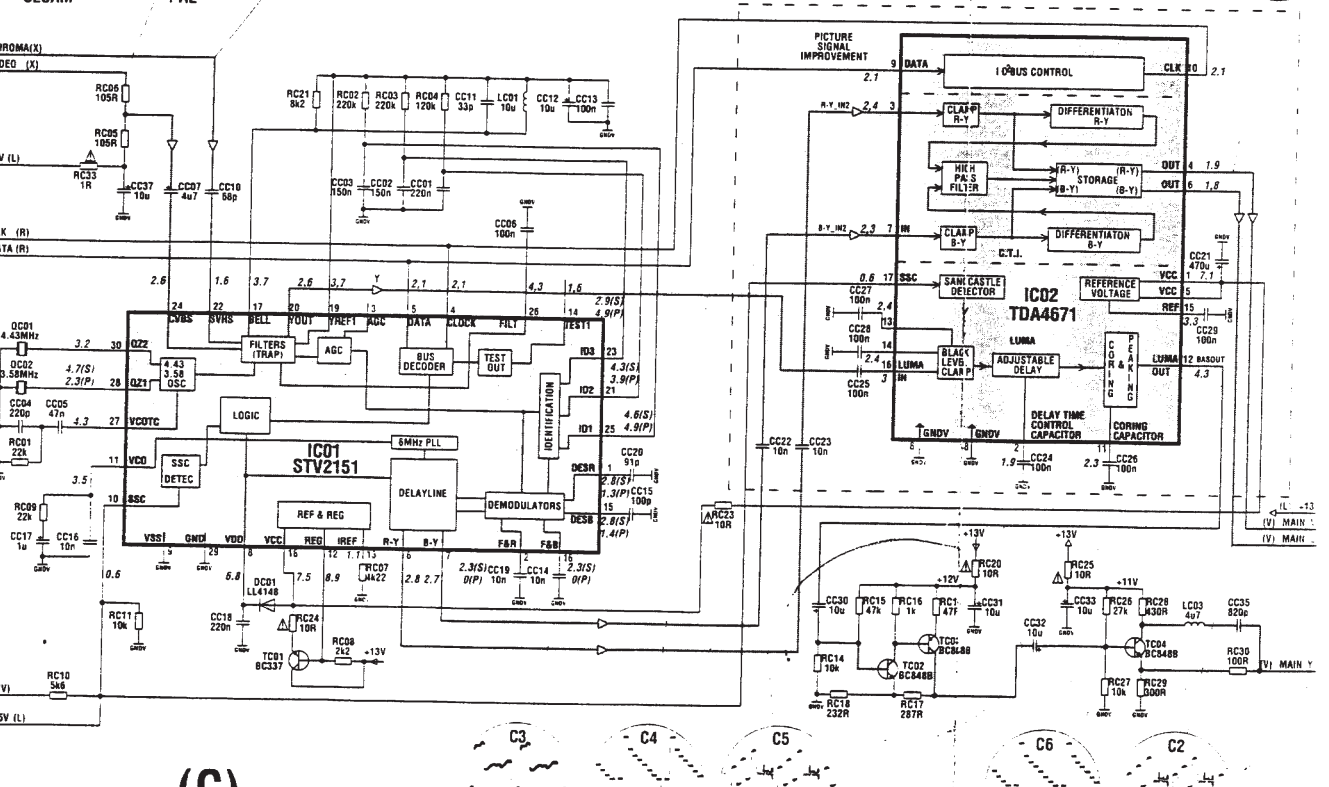
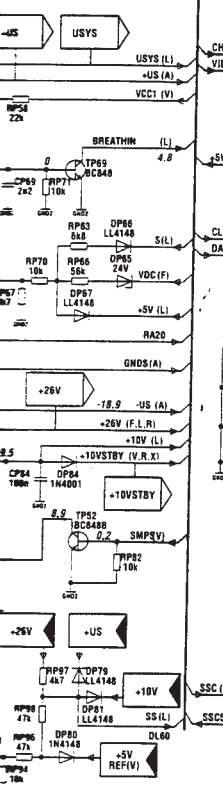
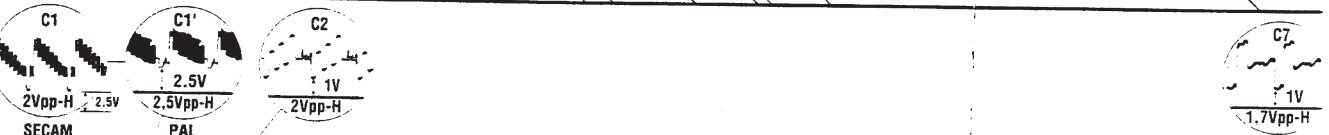
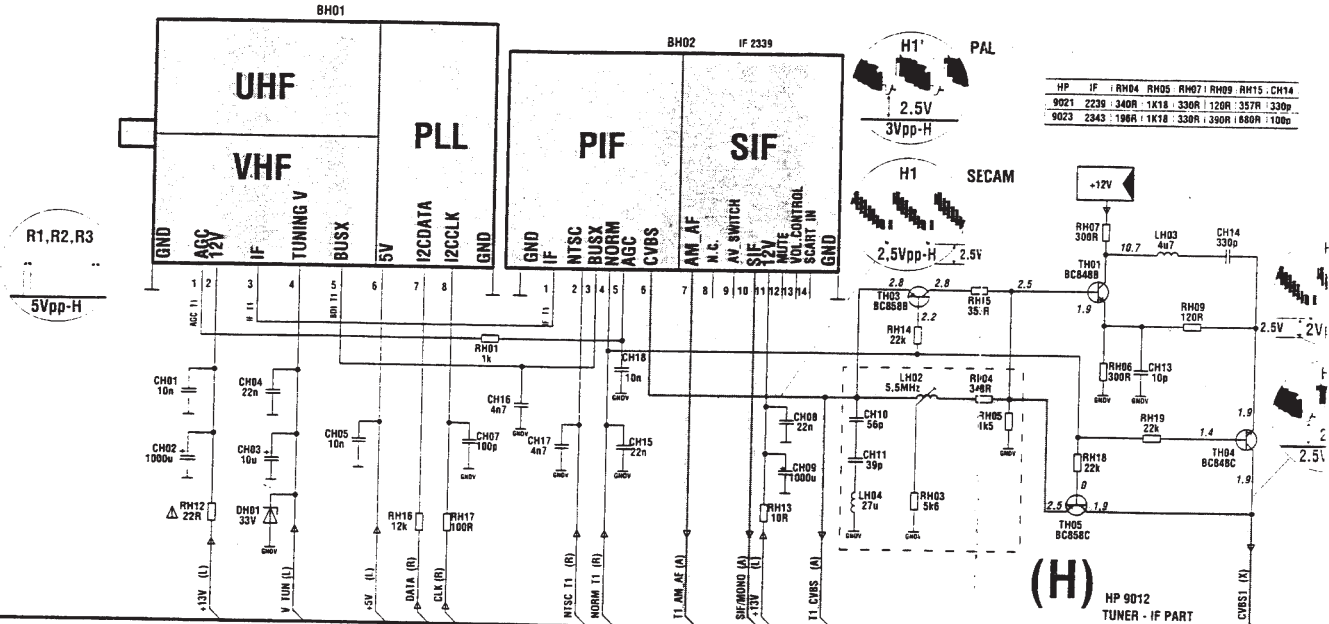
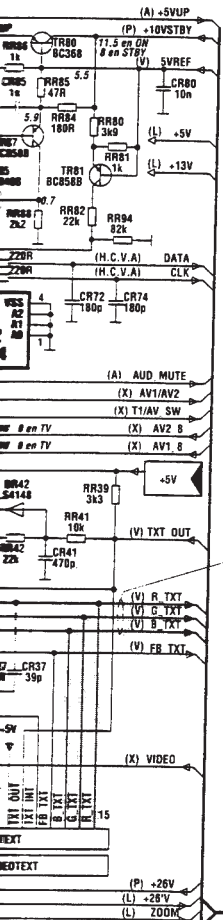


EITERPLATTE KPL - ESQUEMA PLATINA EQUIPADA - SCHEMA PIASTRA COMPLETA

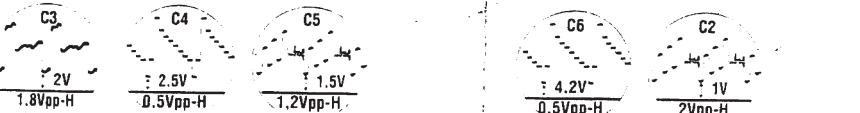
LEGEND :

CVBS : Name of signal
(H) : Origin or destination

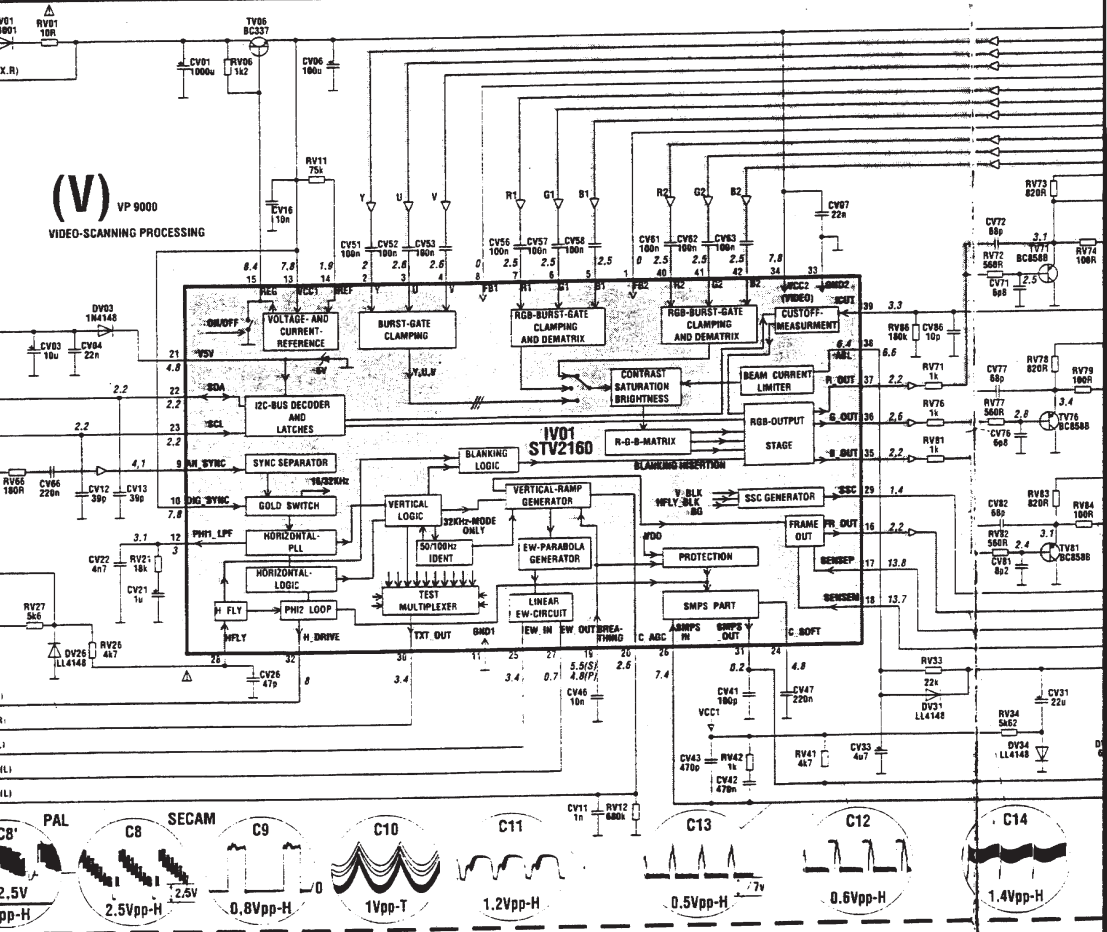
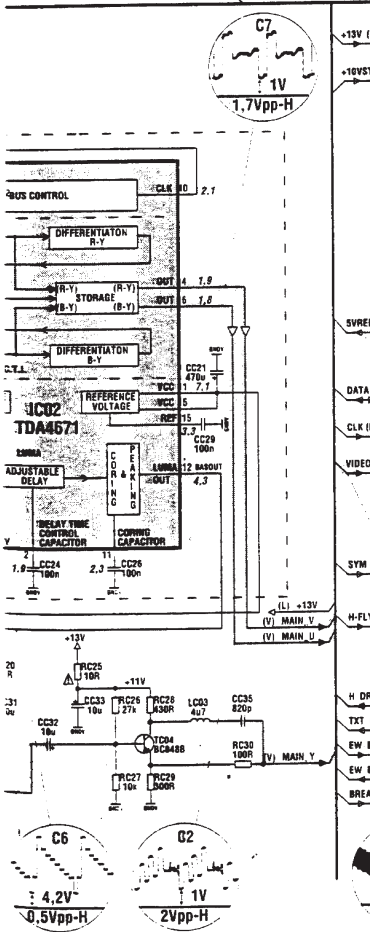
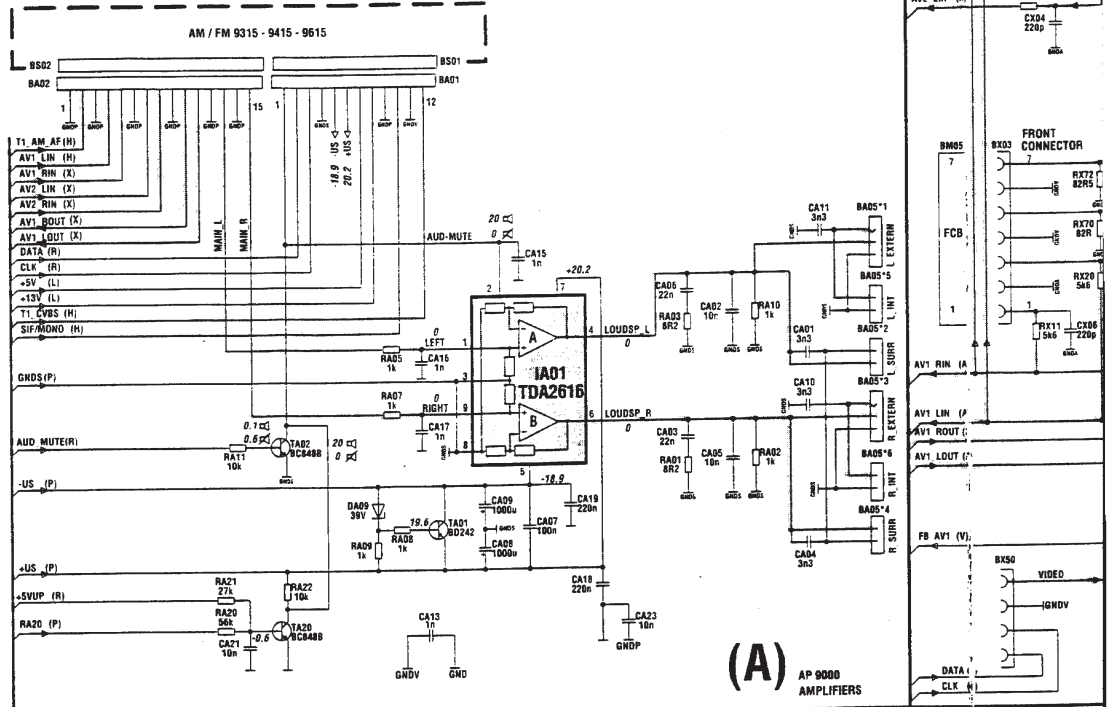
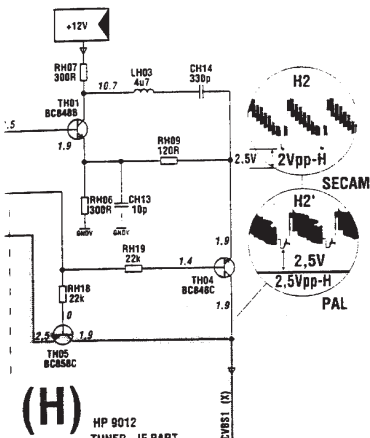
2



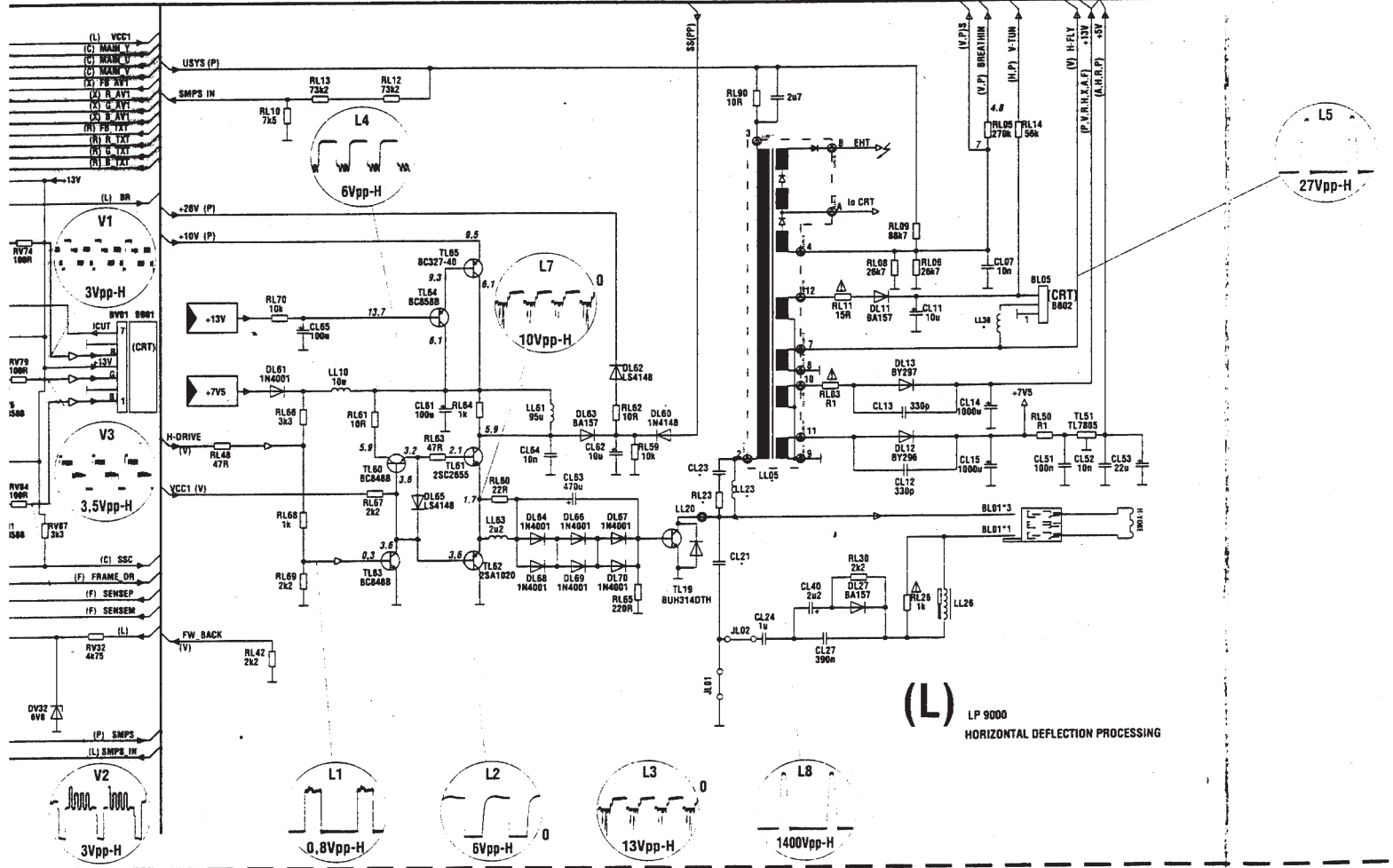
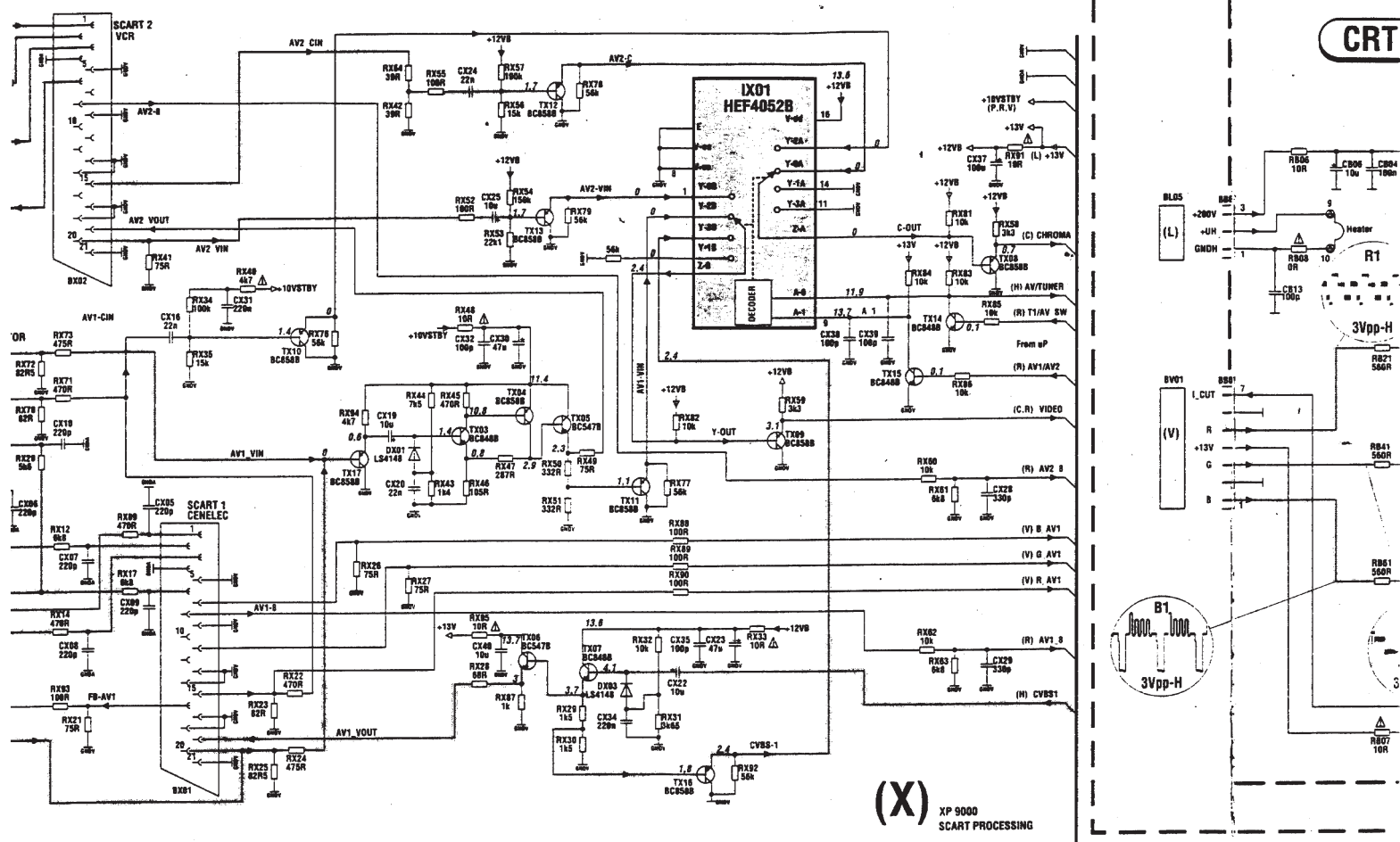
(C) CP 9101 CHROMA PROCESSING



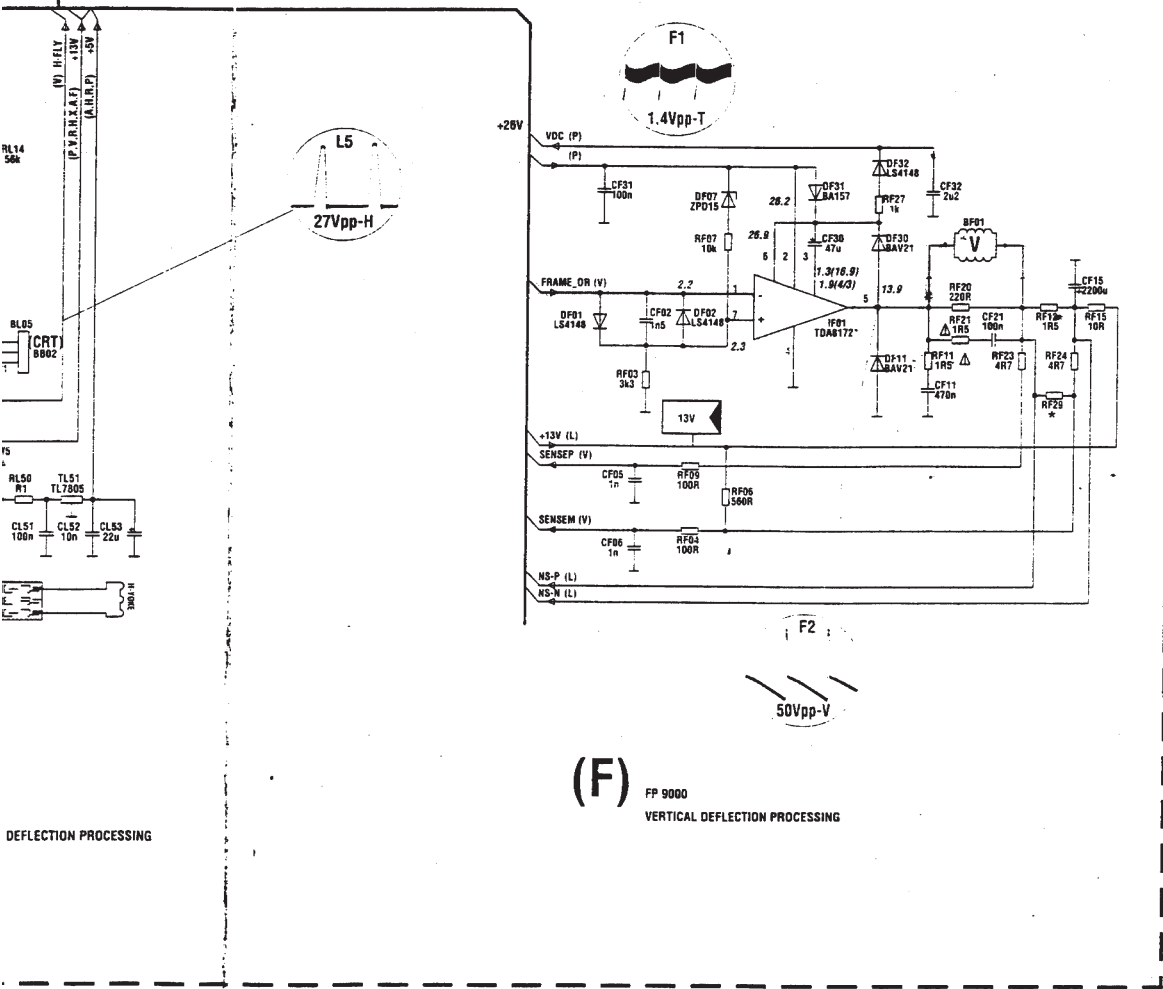
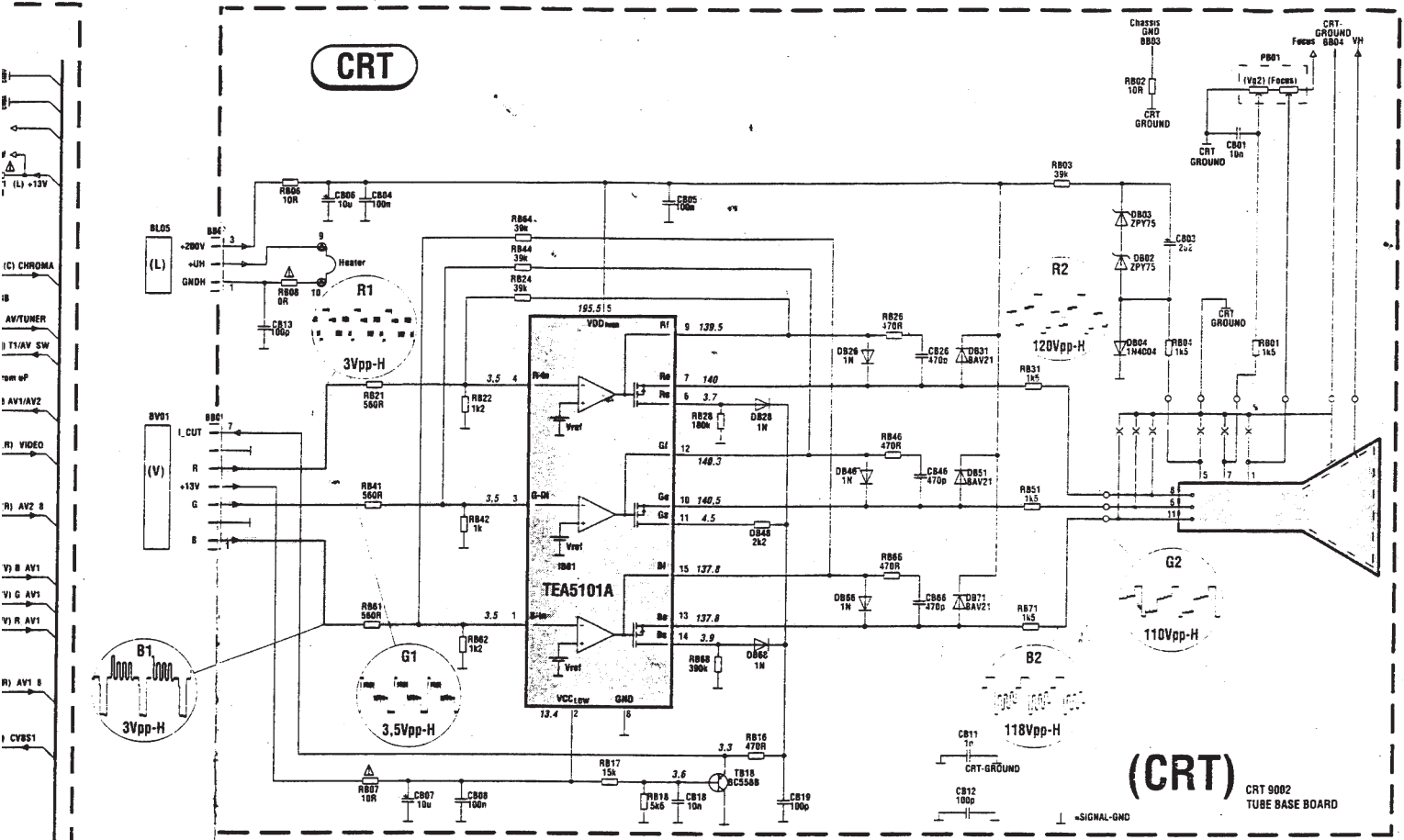
HP	IF	RH04	RH05	RH07	RH09	RH15	CH14
0021	2230	340R	1K18	330R	120R	357R	330p
0023	2343	196R	1K18	330R	130R	680R	100p



CRT



5



IX01	1	2	3	4	5	6	7	8	9	10
V AV1	0	2	2	0	0	0	0	0	13.7	0
AV2	2.4	0	2.4	-	0	0	0	0	0	0
TV	0	0	2.4	2.4	0	0	0	0	13.7	11.9
IX01	11	12	13	14	15	16				
AV1	0	0	2.1	0	2.1	13.6				
AV2	0	2.4	2.4	0	0	13.6				
TV	0	0	0	0	0	13.6				

Partlist	RF29
LP9420	45
LP9430	54
LP9440	54
LP9450	54
LP9460	54
LP9470	54
LP9480	45
LP9490	54
LP9620	45
LP9630	54
LP9640	54
LP9650	54
LP9660	54
LP9690	54