

## 8PSK/QPSK low-power 3.3-V dual wide-band satellite tuner IC

Data brief

### Features

- Four VLNA inputs
- On-chip 4:2 matrix
- Input frequency range 250 MHz to 2150 MHz
- Two independently programmable tuners
- RF to baseband direct conversion
- Single 3.3-V DC supply
- Fractional N synthesizers
- Extremely low phase noise, compliant with DVB-S2 requirements
- Flexible crystal frequency output to drive the demodulator IC
- Continuously variable gain: 0 to 65 dB
- Additional and programmable gain on baseband amplifier: 0 to 16 dB
- Programmable 5- to 36-MHz cut-off frequency (Butterworth 5th-order baseband filters)

- Low power consumption
- Compatible with 5- and 3.3-V I<sup>2</sup>C bus

### Applications

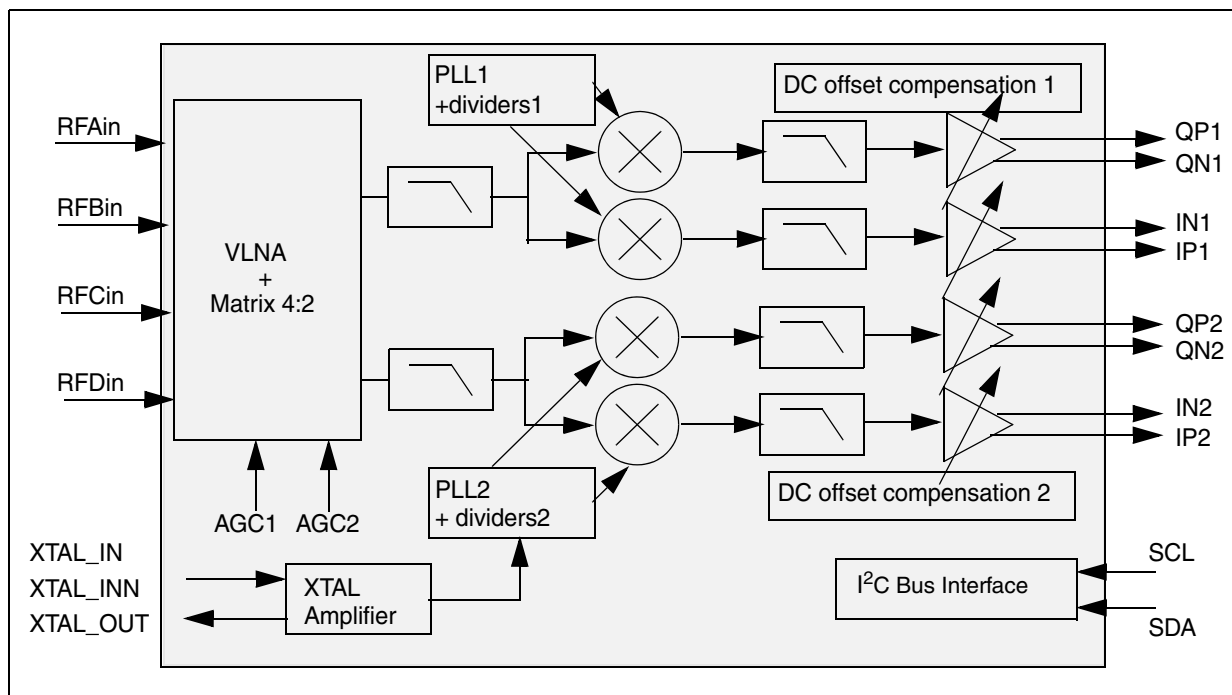
- Direct broadcasting satellite (DBS) QPSK/8PSK demodulation
- Set-top box

### Package

- VFQFPN-56 8 x 8 x 1 mm<sup>3</sup> with exposed pad down (EPD) for heat dissipation
- ECOPACK<sup>®</sup>, environmentally friendly package

### Description

The STV6120 satellite tuner is a quad-input dual direct-conversion (zero-IF) wideband satellite tuner intended for digital set-top boxes and similar applications.



# 1 Introduction

The STV6120 dual tuner has four identical wideband RF inputs. The switch matrix 4:2 allows the selection of the appropriate RF input for each down-conversion path. After the matrix, there is a high-frequency low-pass filter followed by two down mixers. Each mixer, which down-converts the signal to baseband, is followed by a low-pass filter and amplifying stages. The baseband gain can be varied by programming a register through the I<sup>2</sup>C bus.

The local oscillator signals are provided by two integrated fractional-N PLLs. Each PLL contains an on-chip voltage controlled oscillator, which meets stringent phase noise requirements. The PLL loop filters are partially integrated. The local oscillator frequencies are programmable between 250 and 2150 MHz.

The comparison frequency for the phase-frequency detector is generated by dividing the crystal oscillator reference frequency. The crystal frequency will be in the range 16 MHz to 30 MHz depending on the application.

The design of the STV6120 has been carefully implemented to avoid the problems associated with having two tuners integrated on a single chip.

Features	Benefits
Quad tuner inputs	Fits universal quad and Quattro LNB requirements or if fewer inputs are used, very high isolation
4:2 switch matrix	Low-cost, high-performance BoM integration allowing flexibility between legacy systems and SCR (unicable) systems
Single flexible Xtal	Wide choice of crystal frequencies with robust clock buffer to drive second tuners and demodulators allowing eBoM savings
Fine-grained power management	Allows power savings and settings optimized for actual use conditions
Wide input frequency range	Allows flexible and novel frequency planning and in some cases BoM cost optimization
Intrinsic performance	Excellent compromise between linearity and noise figure allowing the most difficult signals to be extracted in the most congested and noisy conditions
Fractional-N PLL	Low phase noise for low packet error rate under extreme conditions (e.g., low symbol rates), fast locking

## 2 Ordering information

**Table 1. Device summary**

Order code	Temperature range	Package	Packaging
STV6120B	-10 to 70 °C	VFQFPM-56 EPD	Tray
STV6120BT	-10 to 70 °C	VFQFPM-56 EPD	Tape and Reel

## 3 Revision history

**Table 2. Document revision history**

Date	Revision	Changes
29-Nov-2011	1	Initial release.

**Please Read Carefully:**

Information in this document is provided solely in connection with ST products. STMicroelectronics NV and its subsidiaries ("ST") reserve the right to make changes, corrections, modifications or improvements, to this document, and the products and services described herein at any time, without notice.

All ST products are sold pursuant to ST's terms and conditions of sale.

Purchasers are solely responsible for the choice, selection and use of the ST products and services described herein, and ST assumes no liability whatsoever relating to the choice, selection or use of the ST products and services described herein.

No license, express or implied, by estoppel or otherwise, to any intellectual property rights is granted under this document. If any part of this document refers to any third party products or services it shall not be deemed a license grant by ST for the use of such third party products or services, or any intellectual property contained therein or considered as a warranty covering the use in any manner whatsoever of such third party products or services or any intellectual property contained therein.

**UNLESS OTHERWISE SET FORTH IN ST'S TERMS AND CONDITIONS OF SALE ST DISCLAIMS ANY EXPRESS OR IMPLIED WARRANTY WITH RESPECT TO THE USE AND/OR SALE OF ST PRODUCTS INCLUDING WITHOUT LIMITATION IMPLIED WARRANTIES OF MERCHANTABILITY, FITNESS FOR A PARTICULAR PURPOSE (AND THEIR EQUIVALENTS UNDER THE LAWS OF ANY JURISDICTION), OR INFRINGEMENT OF ANY PATENT, COPYRIGHT OR OTHER INTELLECTUAL PROPERTY RIGHT.**

**UNLESS EXPRESSLY APPROVED IN WRITING BY TWO AUTHORIZED ST REPRESENTATIVES, ST PRODUCTS ARE NOT RECOMMENDED, AUTHORIZED OR WARRANTED FOR USE IN MILITARY, AIR CRAFT, SPACE, LIFE SAVING, OR LIFE SUSTAINING APPLICATIONS, NOR IN PRODUCTS OR SYSTEMS WHERE FAILURE OR MALFUNCTION MAY RESULT IN PERSONAL INJURY, DEATH, OR SEVERE PROPERTY OR ENVIRONMENTAL DAMAGE. ST PRODUCTS WHICH ARE NOT SPECIFIED AS "AUTOMOTIVE GRADE" MAY ONLY BE USED IN AUTOMOTIVE APPLICATIONS AT USER'S OWN RISK.**

Resale of ST products with provisions different from the statements and/or technical features set forth in this document shall immediately void any warranty granted by ST for the ST product or service described herein and shall not create or extend in any manner whatsoever, any liability of ST.

ST and the ST logo are trademarks or registered trademarks of ST in various countries.

Information in this document supersedes and replaces all information previously supplied.

The ST logo is a registered trademark of STMicroelectronics. All other names are the property of their respective owners.

© 2011 STMicroelectronics - All rights reserved

STMicroelectronics group of companies

Australia - Belgium - Brazil - Canada - China - Czech Republic - Finland - France - Germany - Hong Kong - India - Israel - Italy - Japan - Malaysia - Malta - Morocco - Philippines - Singapore - Spain - Sweden - Switzerland - United Kingdom - United States of America

[www.st.com](http://www.st.com)