



STV7699

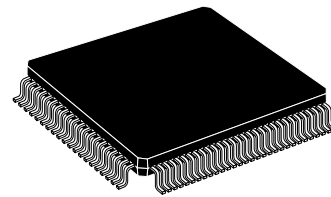
PLASMA DISPLAY PANEL DATA DRIVER

PRODUCT PREVIEW

- 64 OUTPUTS PLASMA DISPLAY DRIVER
- 170V ABSOLUTE MAXIMUM SUPPLY
- 5V SUPPLY FOR LOGIC
- 50/40mA SOURCE / SINK OUTPUT
- 60/60mA SOURCE / SINK OUTPUT DIODE
- 64-BIT SHIFT REGISTER (20MHz)
- BLK, POLARITY AND HIZ CONTROL
- BCD TECHNOLOGY
- DIE or 100-PIN PQFP PACKAGE

DESCRIPTION

The STV7699 is a Plasma Display Panel (PDP) data driver implemented in ST's proprietary BCD technology. Using a 4-bit wide cascaded shift register, it drives 64 high current & high voltage outputs. By serially connecting several STV7699, any horizontal pixel definition can be performed. The 20MHz shift clock gives an equivalent 80MHz shift register. The STV7699 is supplied with a separated 170V power output supply and a 5V logic supply.

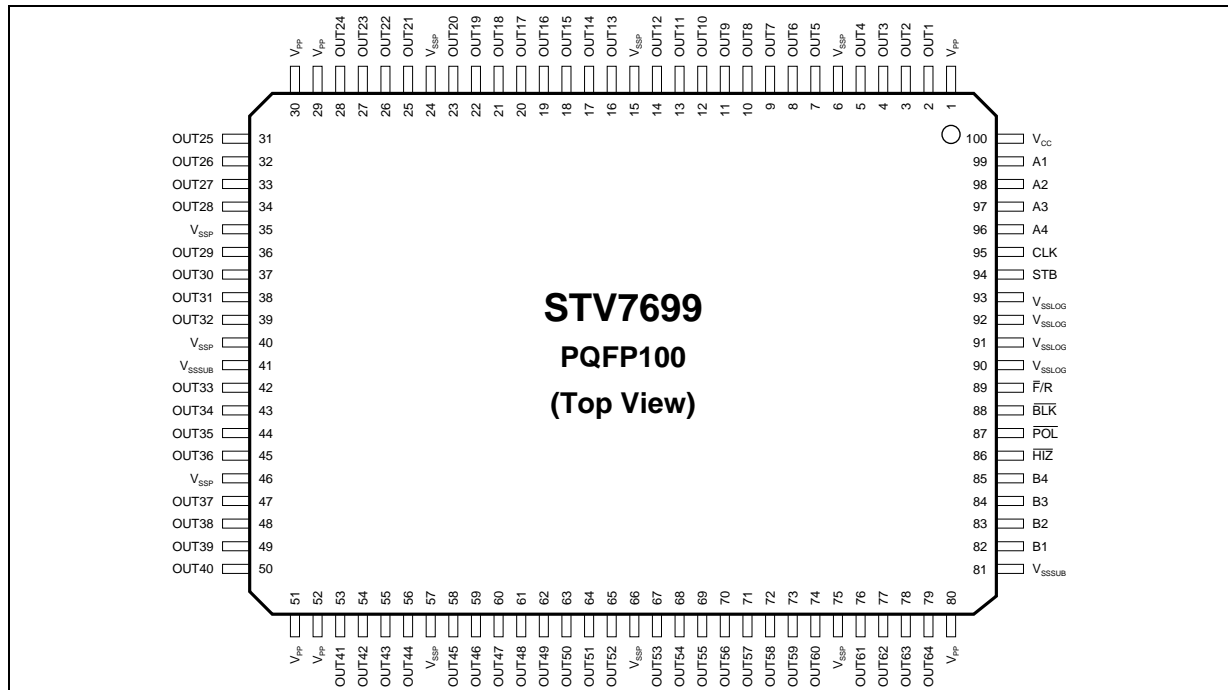


PQFP100 (14 x 20 x 2.80mm)
(Full Plastic Quad Flat Pack)

ORDER CODE : STV7699

All command inputs are CMOS compatible. The STV7699 package is a 100-pin PQFP. It is also available as die.

PIN CONNECTIONS



7699-01-LEPS

PIN ASSIGNMENT (PQFP100)

Pin Number	Symbol	Type	Function
100	V _{CC}	Supply	5V Logic Supply
1 - 29 - 30 - 51 - 52 - 80	V _{PP}	Supply	High Voltage Supply of power outputs
6 - 15 - 24 - 35 - 40 46 - 57 - 66 - 75	V _{SSP}	Ground	Ground of power outputs
90 to 93	V _{SSLOG}	Ground	Logic Ground
41 - 81	V _{SSSUB}	Ground	Substrate Ground
2 to 5 - 7 to 14 - 16 to 23 25 to 28 - 31 to 34 - 36 to 39 42 to 45 - 47 to 50 - 53 to 56 58 to 65 - 67 to 74 - 76 to 79	OUT1 to OUT 64	Output	Power Output
95	CLK	Input	Clock of data shift register Low to High transition makes the data enter into the shift register and available at the output stage and at the output of the shift register.
94	STB	Input	Latch of data to outputs When the STB signal is set to low level, data are transferred into the latch stage. When STB is set at high level, data are held in the latch stage.
88	BLK	Input	Power Output Blanking Control
87	POL	Input	Power Output Polarity Control
86	HIZ	Input	Power Output High Impedance Control
89	F/R	Input	Selection of shift direction
96 to 99	A4 to A1	Input	Shift register data input and output according to F/R value. When set to low, Ai = input and Bi = output.
82 to 85	B1 to B4	Output	

7699-01.TBL

PIN ASSIGNMENT (Power Outputs)

Output N°	Pin N°	Output N°	Pin N°	Output N°	Pin N°	Output N°	Pin N°
1	2	17	20	33	42	49	62
2	3	18	21	34	43	50	63
3	4	19	22	35	44	51	64
4	5	20	23	36	45	52	65
5	7	21	25	37	47	53	67
6	8	22	26	38	48	54	68
7	9	23	27	39	48	55	69
8	10	24	28	40	50	56	70
9	11	25	31	41	53	57	71
10	12	26	32	42	54	58	72
11	13	27	33	43	55	59	73
12	14	28	34	44	56	60	74
13	16	29	36	45	58	61	76
14	17	30	37	46	59	62	77
15	18	31	38	47	60	63	78
16	19	32	39	48	61	64	79

7699-02.TBL

PAD DIMENSIONS (in μm)

The reference is the center of the die (x = 0, y = 0).

LEFT SIDE from top to bottom

Name	Center : X	Center : Y	Size : x	Size : y
V _{PP}	-1738.0	2867.5	90.0	75.0
OUT1	-1738.0	2703.0	90.0	75.0
OUT2	-1738.0	2570.5	90.0	75.0
OUT3	-1738.0	2411.0	90.0	75.0
OUT4	-1738.0	2228.5	90.0	75.0
V _{SSP}	-1738.0	2093.0	90.0	75.0
OUT5	-1738.0	1952.0	90.0	75.0
OUT6	-1738.0	1813.5	90.0	75.0
OUT7	-1738.0	1631.0	90.0	75.0
OUT8	-1738.0	1453.0	90.0	75.0
OUT9	-1738.0	1235.5	90.0	75.0
OUT10	-1738.0	1046.5	90.0	75.0
OUT11	-1738.0	862.0	90.0	75.0
OUT12	-1738.0	712.5	90.0	75.0
V _{SSP}	-1738.0	566.0	90.0	75.0
OUT13	-1738.0	431.0	90.0	75.0
OUT14	-1738.0	293.0	90.0	75.0
OUT15	-1738.0	82.5	90.0	75.0
OUT16	-1738.0	-109.5	90.0	75.0
OUT17	-1738.0	-277.0	90.0	75.0
OUT18	-1738.0	-471.0	90.0	75.0
OUT19	-1738.0	-691.5	90.0	75.0
OUT20	-1738.0	-822.5	90.0	75.0
V _{SSP}	-1738.0	-953.0	90.0	75.0
OUT21	-1738.0	-1096.0	90.0	75.0
OUT22	-1738.0	-1335.5	90.0	75.0
OUT23	-1738.0	-1569.0	90.0	75.0
OUT24	-1738.0	-1697.5	90.0	75.0
V _{PP}	-1715.0	-2045.0	90.0	200.0

Right SIDE from bottom to top

Name	Center : X	Center : Y	Size : x	Size : y
V _{PP}	1600.5	-2087.0	90.0	200.0
OUT41	1737.5	-1646.0	90.0	75.0
OUT42	1737.5	-1507.0	90.0	75.0
OUT43	1737.5	-1328.0	90.0	75.0
OUT44	1737.5	-1096.0	90.0	75.0
V _{SSP}	1737.5	-953.0	90.0	75.0
OUT45	1737.5	-822.5	90.0	75.0
OUT46	1737.5	-691.5	90.0	75.0
OUT47	1737.5	-471.0	90.0	75.0
OUT48	1737.5	-277.0	90.0	75.0
OUT49	1737.5	-109.5	90.0	75.0
OUT50	1737.5	82.5	90.0	75.0
OUT51	1737.5	293.0	90.0	75.0
OUT52	1737.5	431.0	90.0	75.0
V _{SSP}	1737.5	566.0	90.0	75.0
OUT53	1737.5	712.5	90.0	75.0
OUT54	1737.5	862.0	90.0	75.0
OUT55	1737.5	1046.5	90.0	75.0
OUT56	1737.5	1235.5	90.0	75.0
OUT57	1737.5	1453.0	90.0	75.0
OUT58	1737.5	1631.0	90.0	75.0
OUT59	1737.5	1813.5	90.0	75.0
OUT60	1737.5	1952.0	90.0	75.0
V _{SSP}	1737.5	2093.0	90.0	75.0
OUT61	1737.5	2228.5	90.0	75.0
OUT62	1737.5	2411.0	90.0	75.0
OUT63	1737.5	2570.5	90.0	75.0
OUT64	1737.5	2703.0	90.0	75.0
V _{PP}	1737.5	2873.5	90.0	75.0

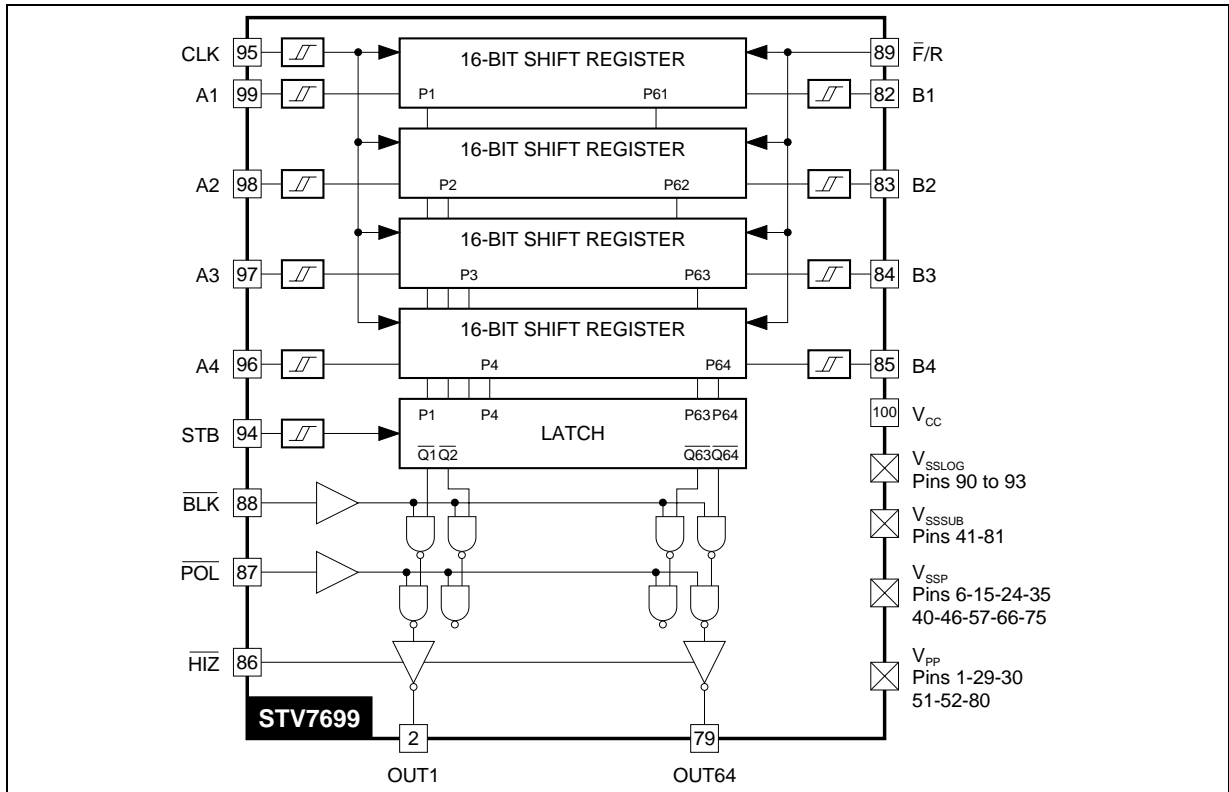
BOTTOM SIDE from left to right

Name	Center : X	Center : Y	Size : x	Size : y
OUT25	-1443.5	-3077.0	75.0	90.0
OUT26	-1249.0	-3077.0	75.0	90.0
OUT27	-1049.5	-3077.0	75.0	90.0
OUT28	-889.0	-3077.0	5.0	90.0
V _{SSP}	-753.0	-3077.0	75.0	90.0
OUT29	-614.0	-3077.0	75.0	90.0
OUT30	-467.5	-3077.0	75.0	90.0
OUT31	-332.0	-3077.0	75.0	90.0
OUT32	-186.5	-3077.0	75.0	90.0
V _{SSP}	-54.0	-3077.0	75.0	90.0
V _{SSSUB}	78.0	-3077.0	75.0	90.0
OUT33	209.5	-3077.0	75.0	90.0
OUT34	342.5	-3077.0	75.0	90.0
OUT35	467.5	-3077.0	75.0	90.0
OUT36	607.5	-3077.0	75.0	90.0
V _{SSP}	752.0	-3077.0	75.0	90.0
OUT37	892.5	-3077.0	75.0	90.0
OUT38	1045.5	-3077.0	75.0	90.0
OUT39	1252.0	-3077.0	75.0	90.0
OUT40	1433.5	-3077.0	75.0	90.0

TOP SIDE from right to left

Name	Center : X	Center : Y	Size : x	Size : y
V _{SSSUB}	1628.5	3073.5	75.0	90.0
B1	1478.5	3073.5	75.0	90.0
B2	1228.5	3077.0	75.0	90.0
B3	978.5	3077.0	75.0	90.0
B4	847.5	3077.0	75.0	90.0
HIZ	716.5	3077.0	75.0	90.0
POL	486.5	3077.0	75.0	90.0
BLK	355.5	3077.0	75.0	90.0
F/R	224.5	3077.0	75.0	90.0
V _{SSLOG}	31.0	3077.0	200.0	90.0
V _{SSLOG}	-354.5	3077.0	200.0	90.0
STB	-582.0	3077.0	75.0	90.0
CLK	-713.0	3077.0	75.0	90.0
A4	-844.0	3077.0	75.0	90.0
A3	-975.0	3077.0	75.0	90.0
A2	-1106.0	3077.0	75.0	90.0
A1	-1471.5	3077.0	75.0	90.0
V _{CC}	-1629.0	3077.0	75.0	90.0

BLOCK DIAGRAM



7699-02.EPS

CIRCUIT DESCRIPTION

The STV7699 contains all the logic and the power circuits necessary to drive the columns of a Plasma Display Panel (P.D.P.). Data are shifted at each low transition of the (CLK) shift clock. Data are input in a 4-bit wide data bus to A1 - A4 input (case of forward shift mode ; $\overline{F/R}$ = low). After 16 shifts, the first nibble is available at the serial outputs B1 - B4. These outputs can be used to cascade several drivers to performed any horizontal resolution. CLK, Ai and Bi inputs are Smith trigger inputs to improve the noise margin.

The Forward/Reverse ($\overline{F/R}$) input is used to select the direction of the shift register.

The maximum frequency of the shift clock is 20MHz.

All the output data are held and memorized into the latch stage when the Latch input (STB) is high. When it is at low level, data are transferred from the shift register to the latch and to the output power stage.

Output state can be forced to high impedance by pulling low HIZ input.

When BLK is Low, all the outputs are forced to low level or high level according to POL signal value.

Output state copy data that was input, with the

same polarity, when \overline{BLK} , \overline{HIZ} and \overline{POL} are High. V_{SSLOG} , V_{SSSUB} and V_{SSP} are not internally connected.

V_{SSLOG} and V_{SSSUB} must be connected as close as possible to the logical reference ground of the application.

Table 1 : Power Output Truth Table

Data	STB	POL	BLK	HIZ	Driver Output	Comments
x	x	x	x	L	HIZ	High impedance
x	x	L	x	H	L	Forced to low
x	x	H	L	H	H	Forced to high
x	H	H	H	H	Qn (1)	Latched data
L	L	H	H	H	L	Copy data
H	L	H	H	H	H	Copy data

Note 1 : Qn is the value memorised in the latch stage ; it is the value of the parallel shift register output stage after n Clock pulses.

A data loaded in the shift register is read on the output power stage without inversion of its polarity.

Table 2 : Control Table

$\overline{F/R}$	Ai	Bi	Comments
L	Input	Output	Forward shift
H	Output	Input	Reverse shift



ABSOLUTE MAXIMUM RATINGS

Symbol	Parameter	Value	Unit
V _{CC}	Logic Supply	-0.3, +7	V
V _{IN}	Logic Input Voltage	-0.3, V _{CC} + 0.3	V
V _{OUT}	Logic Output Voltage	-0.3, V _{CC} + 0.3	V
V _{POUT}	Driver Output Voltage	-0.3, +170	V
V _{PP}	Driver Power Supply	-0.3, +170	V
I _{POUT}	Driver Output Current (2)	±60	mA
I _{DOUT}	Diode Output Current (2)	+40/-50	mA
T _{jmax}	Junction Temperature	+150	°C
T _{oper}	Operating Temperature	-20, +85	°C
T _{stg}	Storage Temperature	-50, +150	°C

7699-03.TBL

THERMAL DATA

Symbol	Parameter	Value	Unit
R _{th(j-a)}	Junction-ambient Thermal Resistance (1)	Max. 50	°C/W
P _{oper}	Operating Power Dissipation (T _{amb} = 25°C)	Max. 2	W
T _{joper}	Operating Junction Temperature (1)	Max. +125	°C

7699-04.TBL

Notes : 1. For PQFP100 packaging.

2. Through all power outputs : with power dissipation lower or equal than P_{tot} and junction temperature lower or equal than T_{jmax}.

ELECTRICAL CHARACTERISTICS

(V_{CC} = 5V, V_{PP} = 160V, V_{SSP} = 0V, V_{SSLOG} = 0V, V_{SSSUB} = 0V, T_{amb} = 25°C, f_{CLK} = 20MHz, unless otherwise specified)

Symbol	Parameter	Test Conditions	Min.	Typ.	Max.	Unit
SUPPLY						
V _{CC}	Logic Supply Voltage		4.5	5	5.5	V
I _{CCH}	Logic Supply Current		-	-	100	µA
I _{CCL}	Logic Supply Current	f _{CLK} = 20MHz	-	12	TBD	mA
V _{PP}	Power Output Supply Voltage		-	-	160	V
I _{PPH}	Power Output Supply Current (steady outputs)		-	-	100	µA

OUTPUT

OUT1-OUT64						
V _{POUTH}	Power Output High Level	I _{POUTH} = - 10mA, V _{PP} = 65V I _{POUTH} = - 40mA, V _{PP} = 65V	55 TBD	60 -	- -	V V
V _{POUTL}	Power Output Low Level	I _{POUTL} = + 10mA I _{POUTL} = + 30mA	- -	2 12	5 TBD	V V
V _{DOUTH}	Output Diode High Level	I _{DOUTH} = + 25mA (3)(4)	-	-	3	V
V _{DOUTL}	Output Diode Low Level	I _{DOUTL} = - 25mA (3)(4)	-	-	-3	V
I _{OUTHIZ}	Output Stage Leakage Current on HiZ State		-	-	±10	µA
SHIFT REGISTER OUTPUT (Ai or Bi according to $\overline{F/R}$ Status)						
V _{OH}	Logic Output High Level	I _{OH} = - 0.5mA	4	-	-	V
V _{OL}	Logic Output Low Level	I _{OL} = + 0.5mA	-	0.1	0.3	V

INPUT (CLK, STB, BLK, HIZ, Ai, Bi)

V _{IH}	Input High Level		0.8 V _{CC}	-	-	V
V _{IL}	Input Low Level		-	-	0.2 V _{CC}	V
I _{IH}	High Level Input Current	V _{IH} = V _{CC}	-	-	1	µA
I _{IL}	Low Level Input Current	V _{IL} = 0V	-	-	-1	µA

7699-05.TBL

Notes : 3. Compatible with power dissipation and T_{joper} ≤ 125°C.

4. See test diagram.

AC TIMINGS REQUIREMENTS

($V_{CC} = 4.5V$ to $5.5V$, $T_{amb} = -20$ to $+85^{\circ}C$, input signals max leading edge & trailing edge (t_R , t_F) = 10ns)

Symbol	Parameter	Min.	Typ.	Max.	Unit
t_{CLK}	Data Clock Period	50	-	-	ns
t_{WHCLK}	Duration of clock (CLK) pulse at high level	15	-	-	ns
t_{WLCLK}	Duration of clock (CLK) pulse at low level	15	-	-	ns
t_{SDAT}	Set-up Time of data input before clock (low to high) transition	0	-	-	ns
t_{HDAT}	Hold Time of data input after clock (low to high) transition	15	-	-	ns
t_{DSTB}	Minimum Delay to latch (STB) after clock (low to high) transition	20	-	-	ns
t_{STB}	Latch (STB) Low Level Pulse Duration	10	-	-	ns
t_{BLK}	Blanking (\overline{BLK}) Pulse Duration	100	-	-	ns
t_{POL}	Polarity (\overline{POL}) Pulse Duration	100	-	-	ns
t_{HIZ}	High Impedance (\overline{HIZ}) Pulse Duration	100	-	-	ns
t_{SFR}	Set-up Time of Forward/Reverse Signal before Clock (low to high) transition	100	-	-	ns

7613-06.TBL

AC TIMING CHARACTERISTICS

($V_{CC} = 5V$, $V_{PP} = 65V$, $V_{SSP} = 0V$, $V_{SSLOG} = 0V$, $V_{SSSUB} = 0V$, $T_{amb} = 25^{\circ}C$, $V_{ILMax.} = 0.2V_{CC}$, $V_{IHMin.} = 0.8V_{CC}$, $V_{OH} = 4.0V$, $V_{OL} = 0.4V$, $C_L = 10pF$, unless otherwise specified)

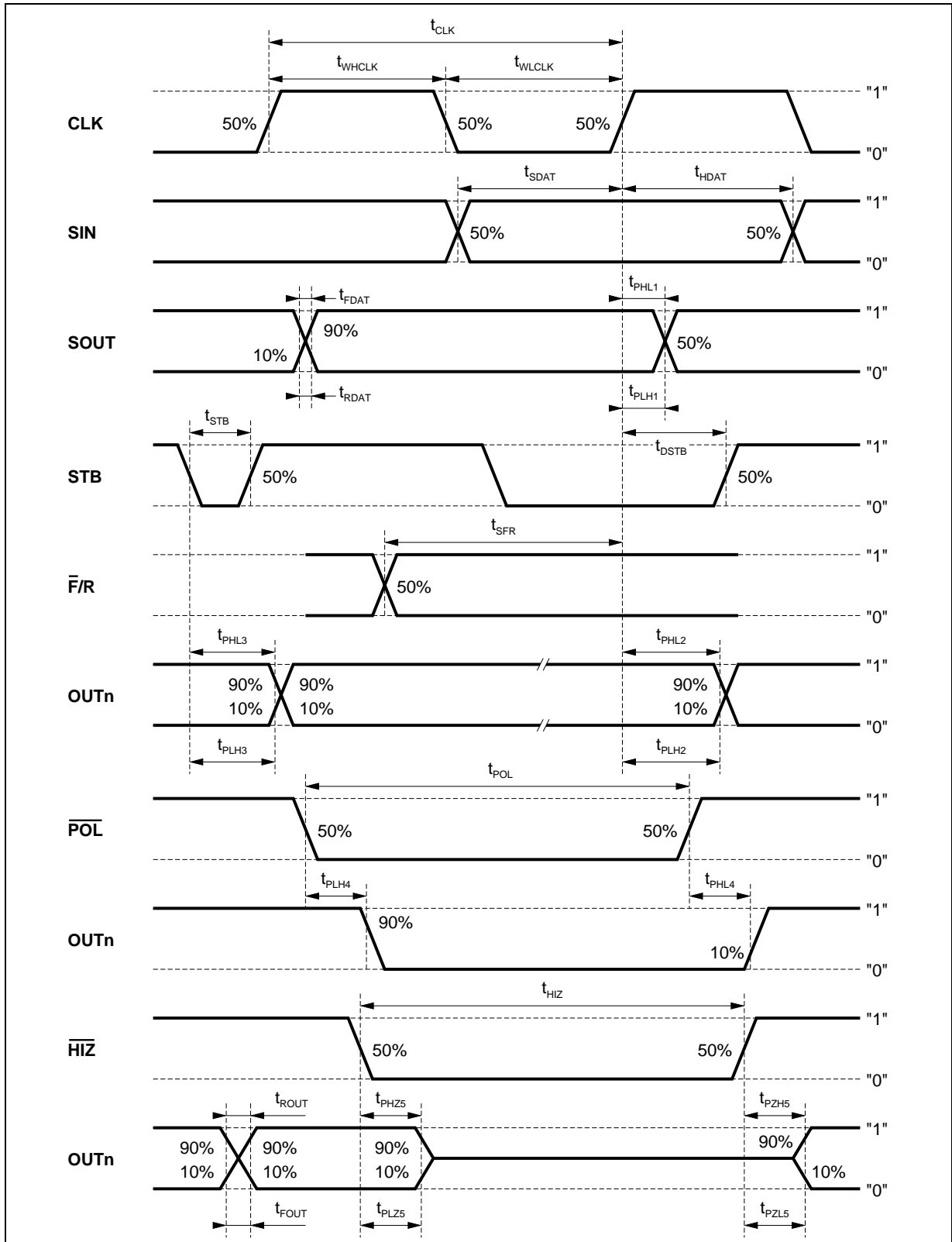
Symbol	Parameter	Min.	Typ.	Max.	Unit
t_{CLK}	Data Clock Period	50	-	-	ns
t_{RDAT}	Logical Data Output Rise Time	-	TBD	30	ns
t_{FDAT}	Logical Data Output Fall Time	-	TBD	30	ns
t_{PHL1} t_{PLH1}	Delay of logic data output (high to low transition) after clock (CLK) transition Delay of logic data output (low to high transition) after clock (CLK) transition	- -	40 40	TBD TBD	ns ns
t_{PHL2} t_{PLH2}	Delay of power output change (high to low transition) after clock (CLK) transition Delay of power output change (low to high transition) after clock (CLK) transition	- -	TBD TBD	120 120	ns ns
t_{PHL3} t_{PLH3}	Delay of power output change (high to low transition) after Latch (STB) transition Delay of power output change (low to high transition) after Latch (STB) transition	- -	TBD TBD	110 110	ns ns
t_{PHL4} t_{PLH4}	Delay of power output change (high to low transition) to Blank (\overline{BLK}) or Polarity (POL) transition Delay of power output change (low to high transition) to Blank (\overline{BLK}) or Polarity (POL) transition	- -	TBD TBD	100 100	ns ns
t_{PHZ5} t_{PLZ5}	Delay of power output change (high to Hi-Z transition) after high impedance (\overline{HIZ}) (5) Delay of power output change (low to Hi-Z transition) after high impedance (HIZ) (5)	- -	TBD TBD	100 100	ns ns
t_{PZH5} t_{PZL5}	Delay of power output change (Hi-Z to high transition) after high impedance (\overline{HIZ}) (5) Delay of power output change (Hi-Z to low transition) after high impedance (HIZ) (5)	- -	TBD TBD	100 100	ns ns
t_{ROUT}	Power Output Rise Time (6)	-	-	150	ns
t_{FOUT}	Power Output Fall Time (6)	-	-	150	ns

7613-07.TBL

Notes : 5. See test diagram.

6. One output among 64, loading capacitor $C_{OUT} = 50pF$, other outputs at low level.

Figure 1 : AC Characteristics Waveform



7699-03.EPS

INPUT/OUTPUT SCHEMATICS

Figure 2 : $\overline{F/R}$, \overline{BLK} , \overline{POL} , \overline{HIZ}

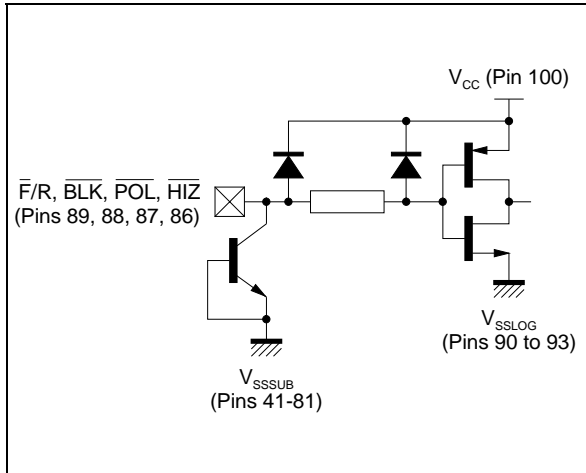


Figure 3 : CLK, STB

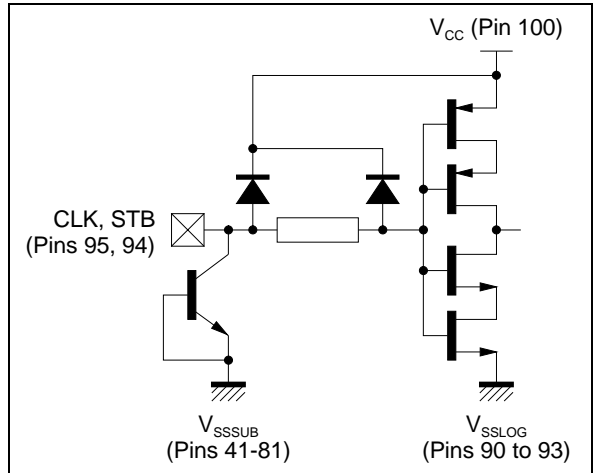


Figure 4 : Ai, Bi

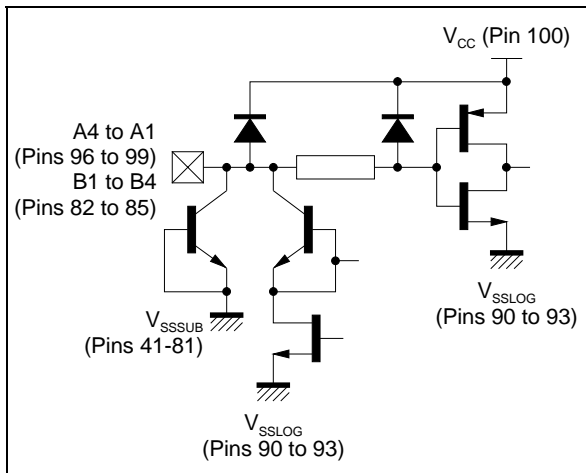
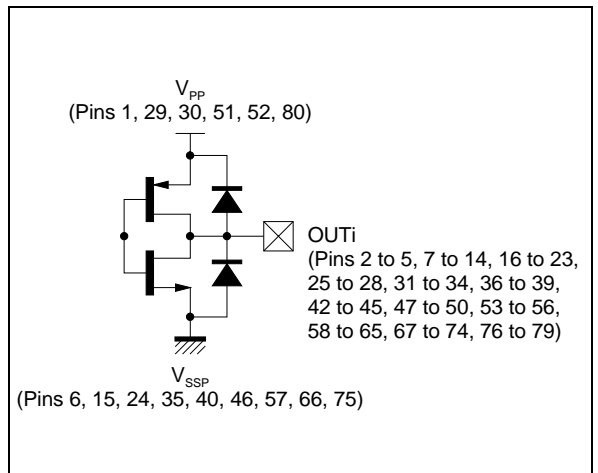
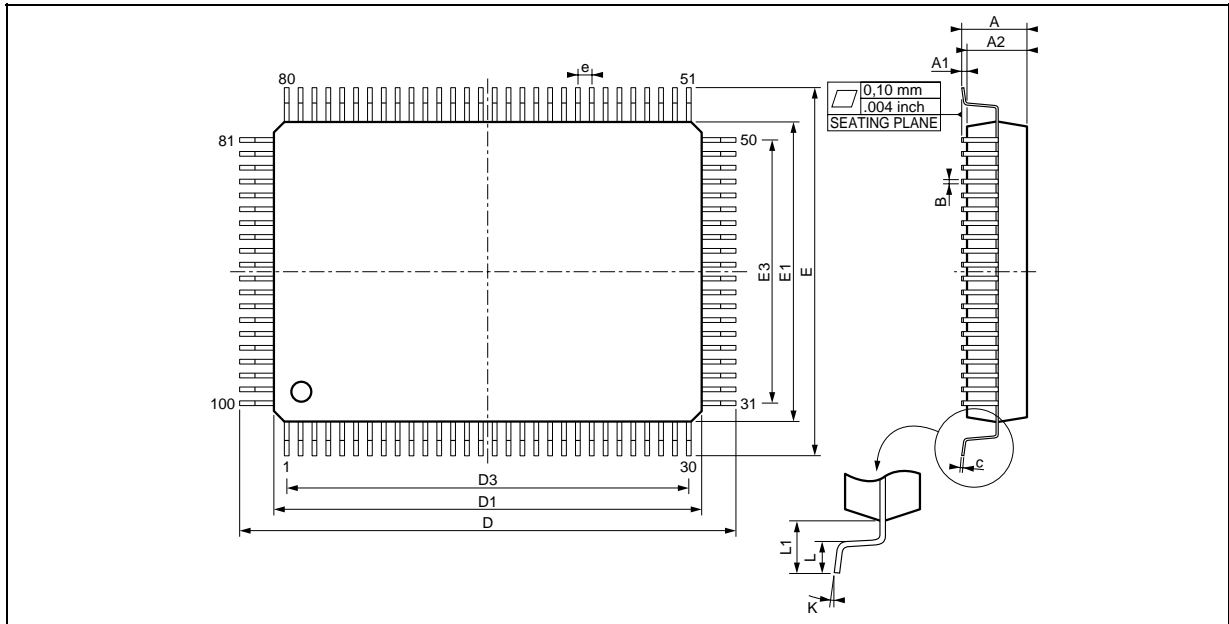


Figure 5 : Power Output



PACKAGE MECHANICAL DATA
 100 PINS - PLASTIC QUAD FLAT PACK (PQFP)



PMQFP100LEPS

Dimensions	Millimeters			Inches		
	Min.	Typ.	Max.	Min.	Typ.	Max.
A			3.40			0.134
A1	0.25			0.010		
A2	2.55	2.80	3.05	0.100	0.110	0.120
B	0.22		0.38	0.0087		0.015
c	0.13		0.23	0.005		0.009
D	22.95	23.20	23.45	0.903	0.913	0.923
D1	19.90	20.00	20.10	0.783	0.787	0.791
D3		18.85			0.742	
e		0.65			0.026	
E	16.95	17.20	17.45	0.667	0.677	0.687
E1	13.90	14.00	14.10	0.547	0.551	0.555
E3		12.35			0.486	
L	0.65	0.80	0.95	0.026	0.031	0.037
L1		1.60			0.063	
K	0° (Min.), 7° (Max.)					

5F.TBL

Information furnished is believed to be accurate and reliable. However, STMicroelectronics assumes no responsibility for the consequences of use of such information nor for any infringement of patents or other rights of third parties which may result from its use. No licence is granted by implication or otherwise under any patent or patent rights of STMicroelectronics. Specifications mentioned in this publication are subject to change without notice. This publication supersedes and replaces all information previously supplied. STMicroelectronics products are not authorized for use as critical components in life support devices or systems without express written approval of STMicroelectronics.

The ST logo is a registered trademark of STMicroelectronics

© 1999 STMicroelectronics - All Rights Reserved

Purchase of I²C Components of STMicroelectronics, conveys a license under the Philips I²C Patent. Rights to use these components in a I²C system, is granted provided that the system conforms to the I²C Standard Specifications as defined by Philips.

STMicroelectronics GROUP OF COMPANIES

Australia - Brazil - Canada - China - France - Germany - Italy - Japan - Korea - Malaysia - Malta - Mexico - Morocco - The Netherlands
 Singapore - Spain - Sweden - Switzerland - Taiwan - Thailand - United Kingdom - U.S.A.

<http://www.st.com>

