

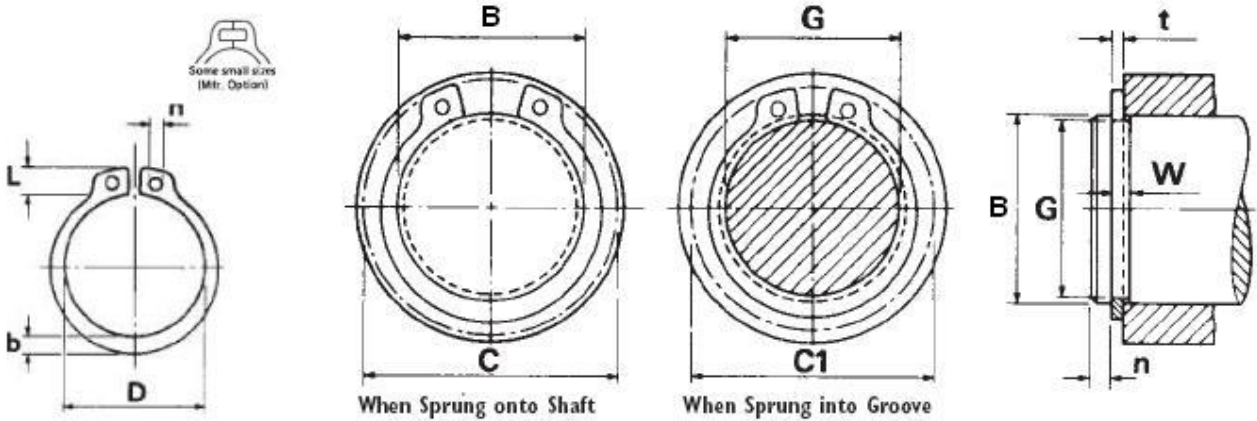


www.americanringmfg.com

STW-195 Retaining Ring Spec Sheet



Part Number: STW-195
STW - External JIS B 2804 Retaining Rings



Ring Specs

(D) Free Diameter:	7.323	+0.028 / -0.057	in.
(t) Thickness:	0.157	+0.004 / -0.004	in.
(b) Radial Wall:			

Groove Specs:

(B) Application Diameter:	7.677		in.
(G) Groove Diameter:	7.480	+0.000 / -0.028	in.
(W) Groove Width:	0.165	+0.008 / -0.000	in.
Groove Depth:	0.098		in.

Other Specs

Approximate Weight per 1000:	0.000	lbs.
-------------------------------------	-------	------