



STB13NK60Z - STB13NK60Z-1 STP13NK60Z/FP - STW13NK60Z

N-CHANNEL 600V - 0.48Ω - 13A - TO-220/FP - D²/I²PAK - TO-247
Zener-Protected SuperMESH™ MOSFET

General features

Type	V _{DSS}	R _{DS(on)}	I _D	P _w
STB13NK60Z-1	600 V	<0.55 Ω	13 A	150 W
STB13NK60Z	600 V	<0.55 Ω	13 A	150 W
STP13NK60ZFP	600 V	<0.55 Ω	13 A	35 W
STP13NK60Z	600 V	<0.55 Ω	13 A	150 W
STW13NK60Z	600 V	<0.55 Ω	13 A	150 W

- GATE CHARGE MINIMIZED
- VERY LOW INTRINSIC CAPACITANCES
- VERY GOOD MANUFACTURING REPEABILITY

Description

The SuperMESH™ series is obtained through an extreme optimization of ST's well established strip-based PowerMESH™ layout. In addition to pushing on-resistance significantly down, special care is taken to ensure a very good dv/dt capability for the most demanding applications.

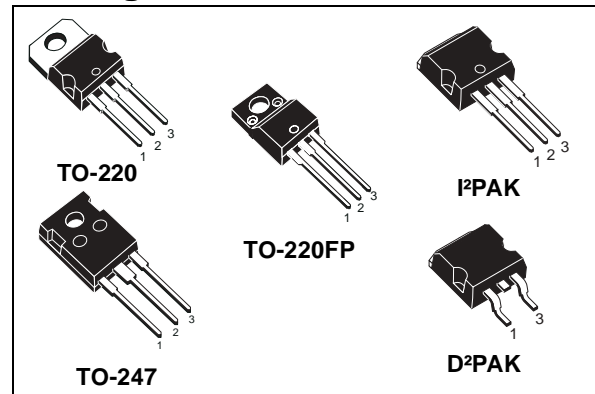
Applications

- HIGH CURRENT, HIGH SPEED SWITCHING
- SWITCH MODE POWER SUPPLIES
- DC-AC CONVERTERS FOR WELDING, UPS AND MOTOR DRIVE

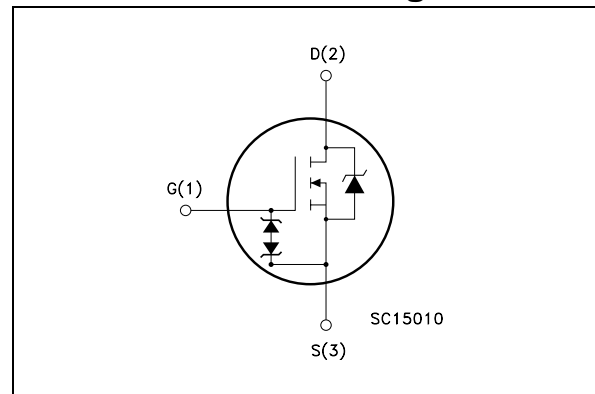
Order codes

Sales Type	Marking	Package	Packaging
STB13NK60Z-1	B13NK60Z-1	I ² PAK	TUBE
STB13NK60ZT4	B13NK60Z	D ² PAK	TAPE & REEL
STP13NK60ZFP	P13NK60ZFP	TO-220FP	TUBE
STP13NK60Z	P13NK60Z	TO-220	TUBE
STW13NK60Z	W13NK60Z	TO-247	TUBE

Package



Internal schematic diagram



1 Electrical ratings

Table 1. Absolute maximum ratings

Symbol	Parameter	Value		Unit
		TO-220 / TO-247 I ² PAK / D ² PAK	TO-220FP	
V _{DS}	Drain-Source Voltage (V _{GS} = 0)	600		V
V _{DGR}	Drain-gate Voltage (R _{GS} = 20kΩ)	600		V
V _{GS}	Gate-Source Voltage	± 30		V
I _D	Drain Current (continuous) at T _C = 25°C	13	13 (<i>Note 1</i>)	A
I _D	Drain Current (continuous) at T _C = 100°C	8.2	8.2 (<i>Note 1</i>)	A
I _{DM} <i>Note 2</i>	Drain Current (pulsed)	52	52 (<i>Note 1</i>)	A
P _{TOT}	Total Dissipation at T _C = 25°C	150	35	W
	Derating Factor	1.20	0.27	W/°C
Vesd(G-S)	G-S ESD (HBM C=100pF, R=1.5kΩ)	4000		V
dv/dt <i>Note 3</i>	Peak Diode Recovery voltage slope	4.5		V/ns
V _{ISO}	Insulation Withstand Voltage (DC)	--	2500	V
T _j T _{stg}	Operating Junction Temperature Storage Temperature	-55 to 150		°C

Table 2. Thermal data

	Parameter	TO-220	D ² PAK	TO-220FP	Unit
		I ² PAK / TO-247			
R _{thj-case}	Thermal Resistance Junction-case Max	0.83		3.6	°C/W
R _{thj-pcb} <i>Note 7</i>	Thermal Resistance Junction-pcb Max	--	60	--	°C/W
R _{thj-amb}	Thermal Resistance Junction-amb Max	62.5			°C/W
T _l	Maximum Lead Temperature For Soldering Purpose	300			°C

Table 3. Avalanche characteristics

Symbol	Parameter	Max Value	Unit
I _{AR}	Avalanche Current, repetitive or Not-Repetitive (pulse width limited by T _j max)	10	A
E _{AS}	Single Pulse Avalanche Energy (starting T _j =25°C, I _D =I _{AR} , V _{DD} = 50V)	400	mJ

2 Electrical characteristics

($T_{CASE} = 25\text{ °C}$ unless otherwise specified)

Table 4. On/off states

Symbol	Parameter	Test Conditions	Min.	Typ.	Max.	Unit
$V_{(BR)DSS}$	Drain-Source Breakdown Voltage	$I_D = 1\text{ mA}$, $V_{GS} = 0$	600			V
I_{DSS}	Zero Gate Voltage Drain Current ($V_{GS} = 0$)	$V_{DS} = \text{Max Rating}$, $V_{DS} = \text{Max Rating}$, $T_C = 125\text{ °C}$			1 50	μA μA
I_{GSS}	Gate Body Leakage Current ($V_{DS} = 0$)	$V_{GS} = \pm 20\text{ V}$			± 10	μA
$V_{GS(th)}$	Gate Threshold Voltage	$V_{DS} = V_{GS}$, $I_D = 100\text{ }\mu\text{A}$	3	3.75	4.5	V
$R_{DS(on)}$	Static Drain-Source On Resistance	$V_{GS} = 10\text{ V}$, $I_D = 4.5\text{ A}$		0.48	0.55	Ω

Table 5. Dynamic

Symbol	Parameter	Test Conditions	Min.	Typ.	Max.	Unit
g_{fs} <i>Note 4</i>	Forward Transconductance	$V_{DS} = 8\text{ V}$, $I_D = 5\text{ A}$		11		S
C_{iss}	Input Capacitance	$V_{DS} = 25\text{ V}$, $f = 1\text{ MHz}$, $V_{GS} = 0$		2030		pF
C_{oss}	Output Capacitance			210		pF
C_{rss}	Reverse Transfer Capacitance			48		pF
$C_{oss\text{ eq.}}$ <i>Note 5</i>	Equivalent Output Capacitance	$V_{GS} = 0$, $V_{DS} = 0\text{ V to } 480\text{ V}$		125		pF
Q_g	Total Gate Charge	$V_{DD} = 480\text{ V}$, $I_D = 10\text{ A}$		66	92	nC
Q_{gs}	Gate-Source Charge	$V_{GS} = 10\text{ V}$		11		nC
Q_{gd}	Gate-Drain Charge	(see Figure 19)		33		nC

Table 6. Switching times

Symbol	Parameter	Test Conditions	Min.	Typ.	Max.	Unit
$t_{d(on)}$ t_r	Turn-on Delay Time Rise Time	$V_{DD} = 300\text{ V}$, $I_D = 5\text{ A}$, $R_G = 4.7\text{ }\Omega$, $V_{GS} = 10\text{ V}$ (see Figure 20)		22 14		ns ns
$t_{d(off)}$ t_f	Turn-off Delay Time Fall Time	$V_{DD} = 300\text{ V}$, $I_D = 5\text{ A}$, $R_G = 4.7\text{ }\Omega$, $V_{GS} = 10\text{ V}$ (see Figure 20)		61 12		ns ns
$t_{r(Voff)}$ t_f t_c	Off-voltage Rise Time Fall Time Cross-over Time	$V_{DD} = 480\text{ V}$, $I_D = 10\text{ A}$, $R_G = 4.7\text{ }\Omega$, $V_{GS} = 10\text{ V}$ (see Figure 20)		10 9 20		ns ns ns

Table 7. Gate-source zener diode

Symbol	Parameter	Test Conditions	Min.	Typ.	Max.	Unit
BV_{GSO} <i>Note 6</i>	Gate-Source Breakdown Voltage	$I_{GS}=\pm 1\text{mA}$ (Open Drain)	30			V

Table 8. Source drain diode

Symbol	Parameter	Test Conditions	Min.	Typ.	Max.	Unit
I_{SD}	Source-drain Current				10	A
I_{SDM} <i>Note 2</i>	Source-drain Current (pulsed)				40	A
V_{SD} <i>Note 4</i>	Forward on Voltage	$I_{SD} = 10\text{ A}, V_{GS}=0$			1.6	V
t_{rr}	Reverse Recovery Time	$I_{SD}= 10\text{A}, di/dt = 100\text{A}/\mu\text{s},$ $V_{DD}=35\text{ V}, T_J=150^\circ\text{C}$		570		ns
Q_{rr}	Reverse Recovery Charge			4.5		μC
I_{RRM}	Reverse Recovery Current			16		A

(1) Limited only by maximum temperature allowed

(2) Pulse width limited by safe operating area

(3) $I_{SD} \leq 13\text{A}$, $di/dt \leq 200\text{A}/\mu\text{s}$, $V_{DD} \leq V_{(BR)DSS}$, $T_J \leq T_{JMAX}$

(4) Pulsed: pulse duration = 300 μs , duty cycle 1.5%

(5) $C_{oss\text{ eq}}$ is defined as a constant equivalent capacitance giving the same charging time as C_{oss} when V_{DS} increases from 0 to 80%

(6) The built-in back-to-back Zener diodes have specifically been designed to enhance not only the device's ESD capability, but also to make them safely absorb possible voltage transients that may occasionally be applied from gate to source. In this respect the Zener voltage is appropriate to achieve an efficient and cost-effective intervention to protect the device's integrity. These integrated Zener diodes thus avoid the usage of external components.

(7) When mounted on minimum Footprint

2.1 Electrical characteristics (curves)

Figure 1. Safe Operating Area for TO-220/ D²PAK/ I²PAK

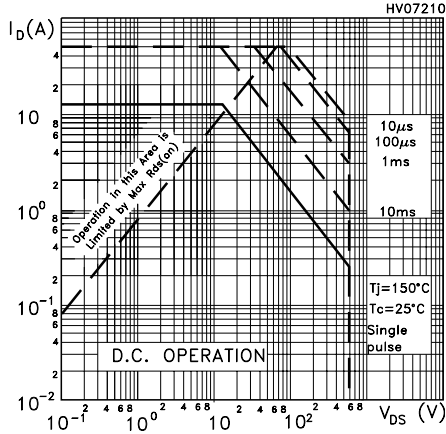


Figure 2. Thermal Impedance for TO-220/ D²PAK/ I²PAK

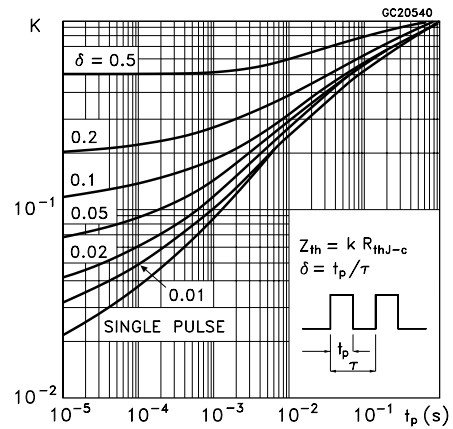


Figure 3. Safe Operating Area for TO-220FP

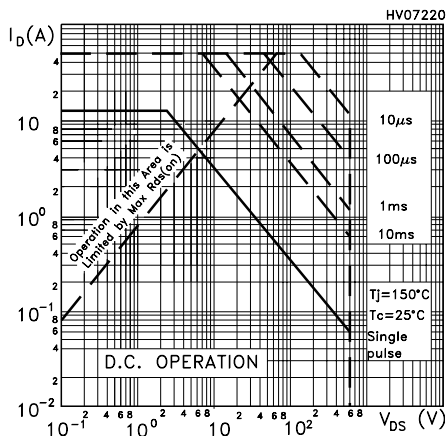


Figure 4. Thermal Impedance for TO-220FP

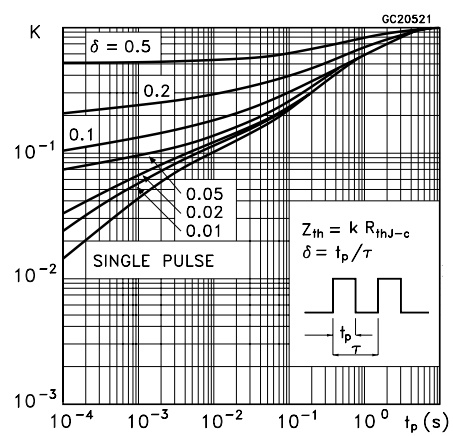


Figure 5. Safe Operating Area for TO-247

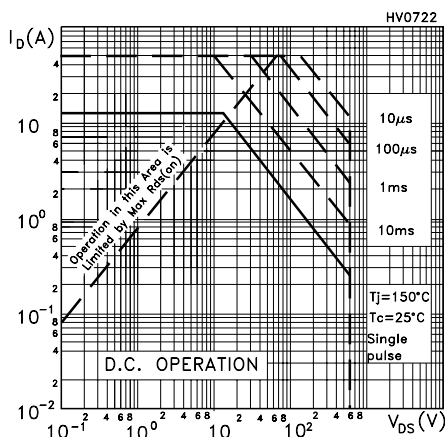


Figure 6. Thermal Impedance for TO-247

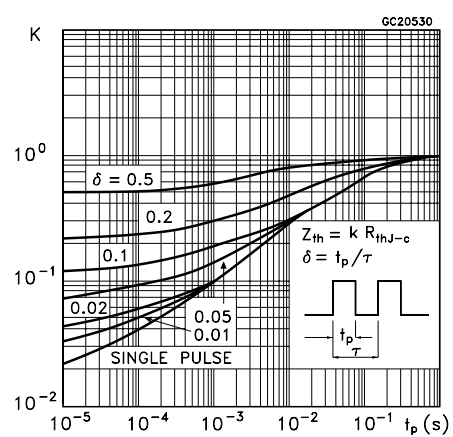


Figure 7. Output Characteristics

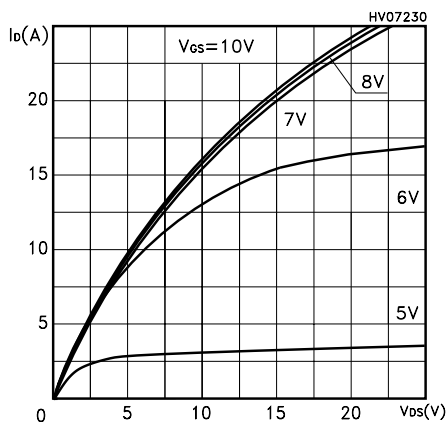


Figure 8. Transfer Characteristics

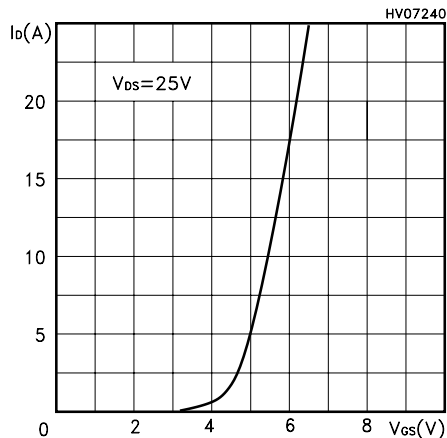


Figure 9. Transconductance

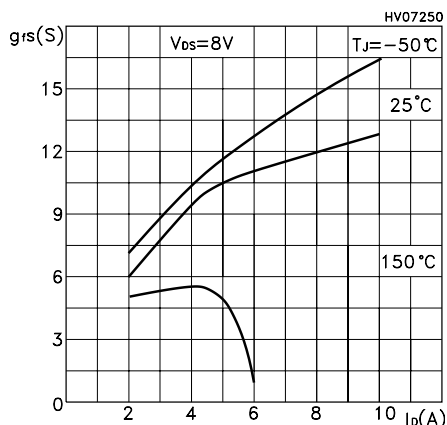


Figure 10. Static Drain-Source on Resistance

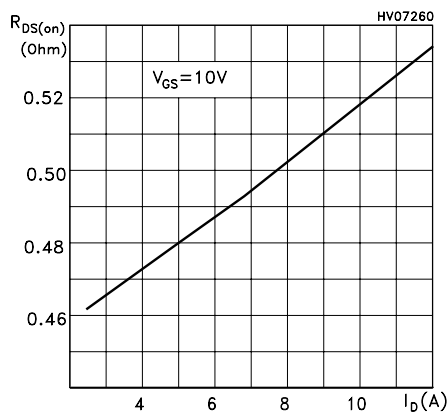


Figure 11. Gate Charge vs Gate -Source Voltage

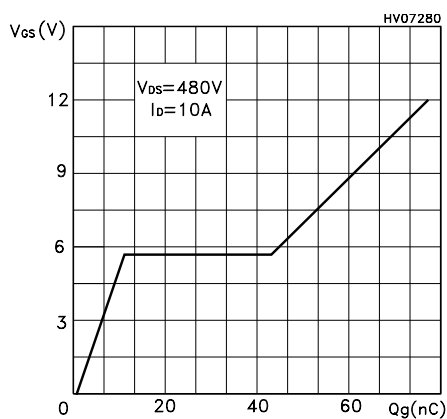


Figure 12. Capacitance Variations

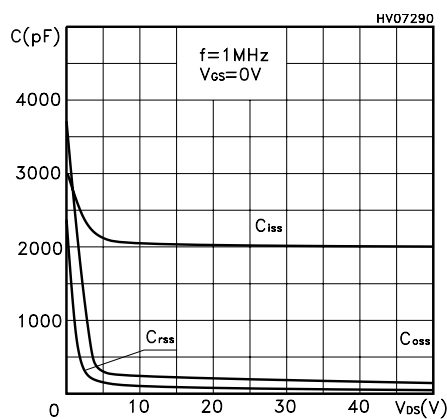


Figure 13. Normalized Gate Threshold Voltage vs Temperature

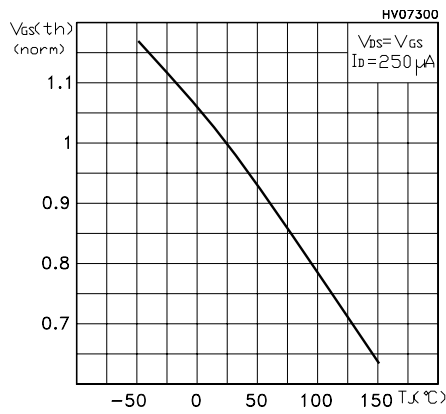


Figure 14. Normalized on Resistance vs Temperature

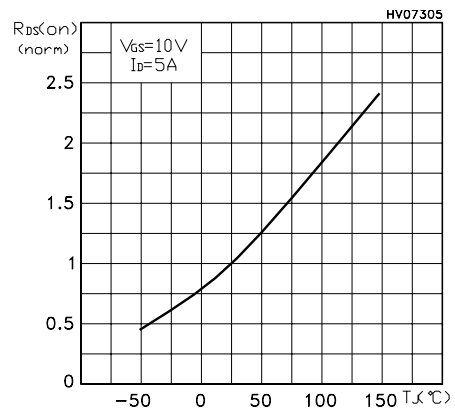


Figure 15. Source-drain Diode Forward Characteristics

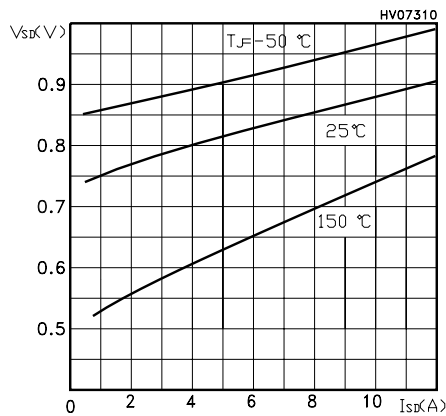


Figure 16. Normalized BVDSS vs Temperature

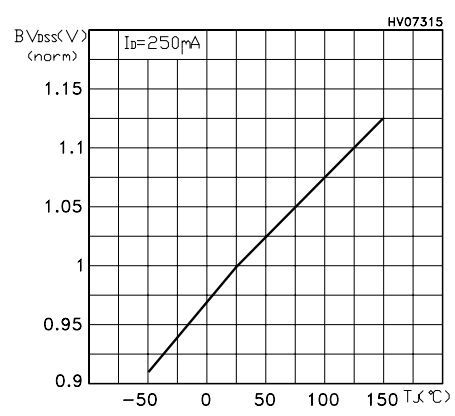
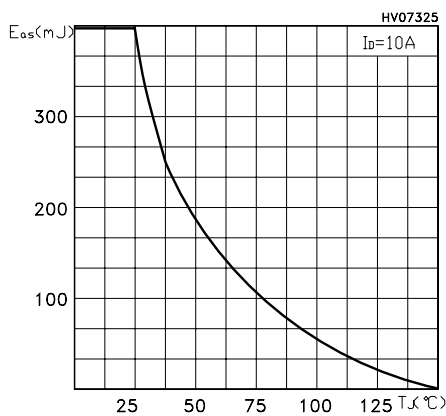


Figure 17. Maximum Avalanche Energy vs Temperature



3 Test circuits

Figure 18. Switching Times Test Circuit For Resistive Load

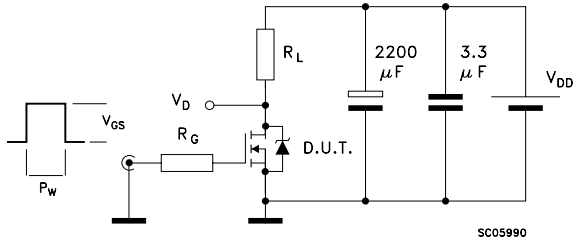


Figure 19. Gate Charge Test Circuit

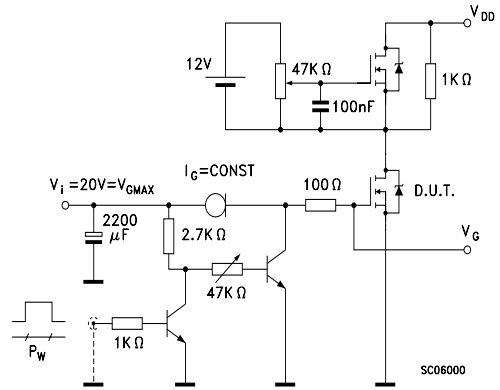
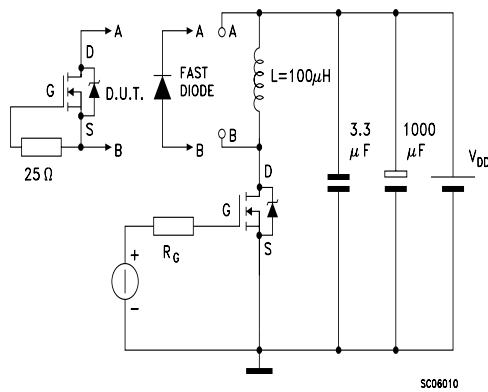


Figure 20. Test Circuit For Inductive Load Switching and Diode Recovery Times

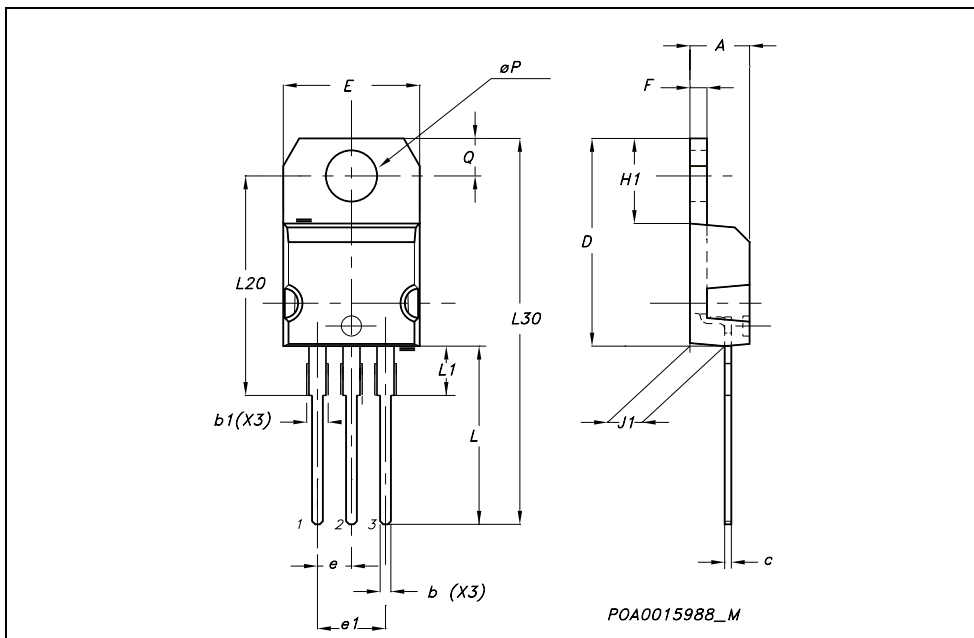


4 Package mechanical data

In order to meet environmental requirements, ST offers these devices in ECOPACK® packages. These packages have a Lead-free second level interconnect . The category of second level interconnect is marked on the package and on the inner box label, in compliance with JEDEC Standard JESD97. The maximum ratings related to soldering conditions are also marked on the inner box label. ECOPACK is an ST trademark. ECOPACK specifications are available at: www.st.com

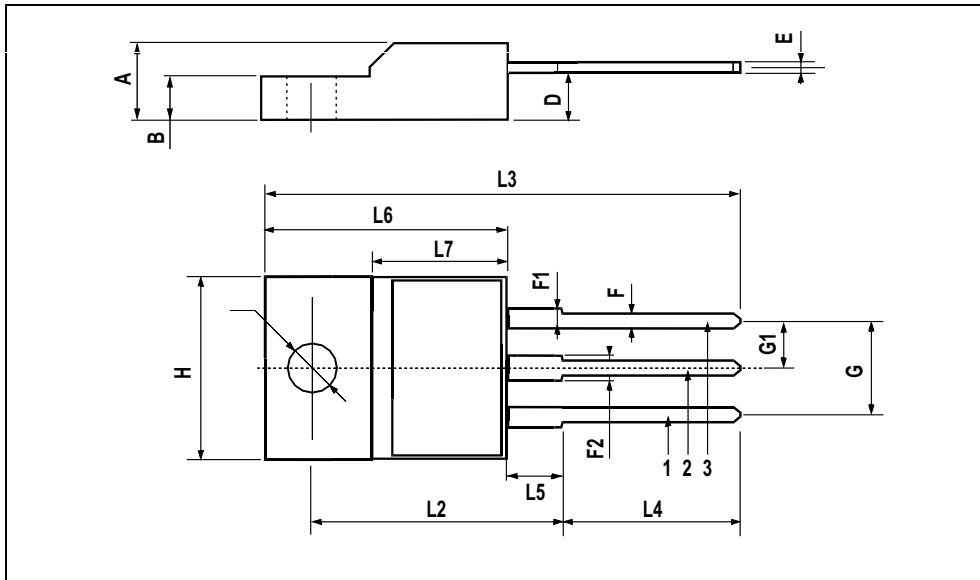
TO-220 MECHANICAL DATA

DIM.	mm.			inch		
	MIN.	TYP.	MAX.	MIN.	TYP.	MAX.
A	4.40		4.60	0.173		0.181
b	0.61		0.88	0.024		0.034
b1	1.15		1.70	0.045		0.066
c	0.49		0.70	0.019		0.027
D	15.25		15.75	0.60		0.620
E	10		10.40	0.393		0.409
e	2.40		2.70	0.094		0.106
e1	4.95		5.15	0.194		0.202
F	1.23		1.32	0.048		0.052
H1	6.20		6.60	0.244		0.256
J1	2.40		2.72	0.094		0.107
L	13		14	0.511		0.551
L1	3.50		3.93	0.137		0.154
L20		16.40			0.645	
L30		28.90			1.137	
øP	3.75		3.85	0.147		0.151
Q	2.65		2.95	0.104		0.116



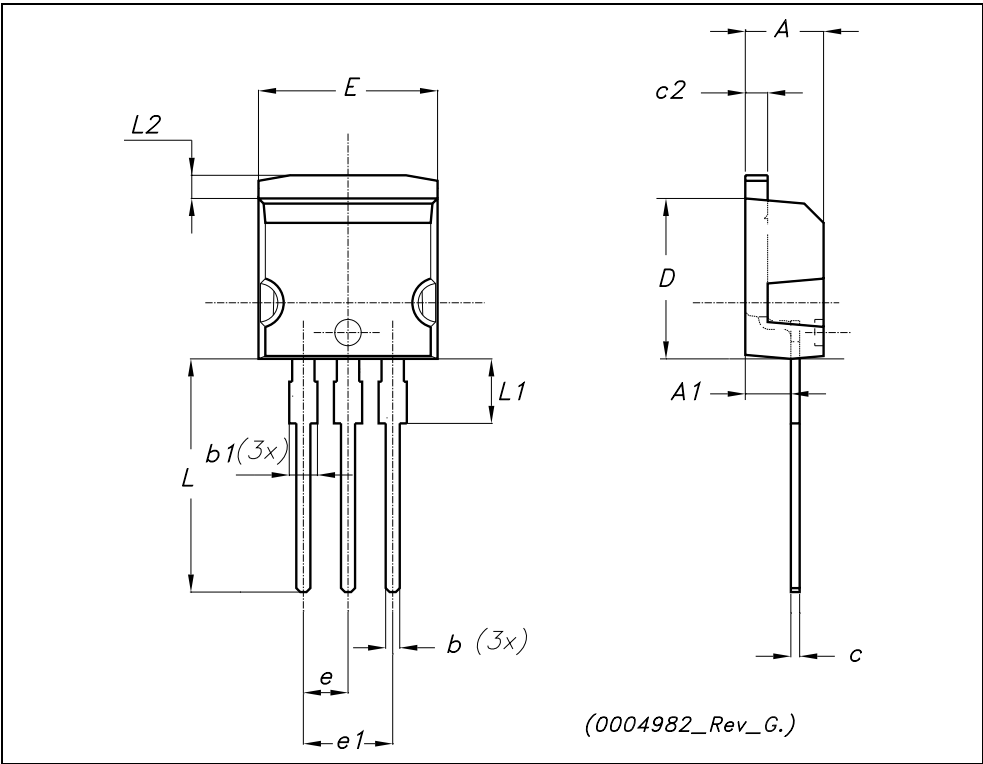
TO-220FP MECHANICAL DATA

DIM.	mm.			inch		
	MIN.	TYP	MAX.	MIN.	TYP.	MAX.
A	4.4		4.6	0.173		0.181
B	2.5		2.7	0.098		0.106
D	2.5		2.75	0.098		0.108
E	0.45		0.7	0.017		0.027
F	0.75		1	0.030		0.039
F1	1.15		1.7	0.045		0.067
F2	1.15		1.7	0.045		0.067
G	4.95		5.2	0.195		0.204
G1	2.4		2.7	0.094		0.106
H	10		10.4	0.393		0.409
L2		16			0.630	
L3	28.6		30.6	1.126		1.204
L4	9.8		10.6	.0385		0.417
L5	2.9		3.6	0.114		0.141
L6	15.9		16.4	0.626		0.645
L7	9		9.3	0.354		0.366
Ø	3		3.2	0.118		0.126



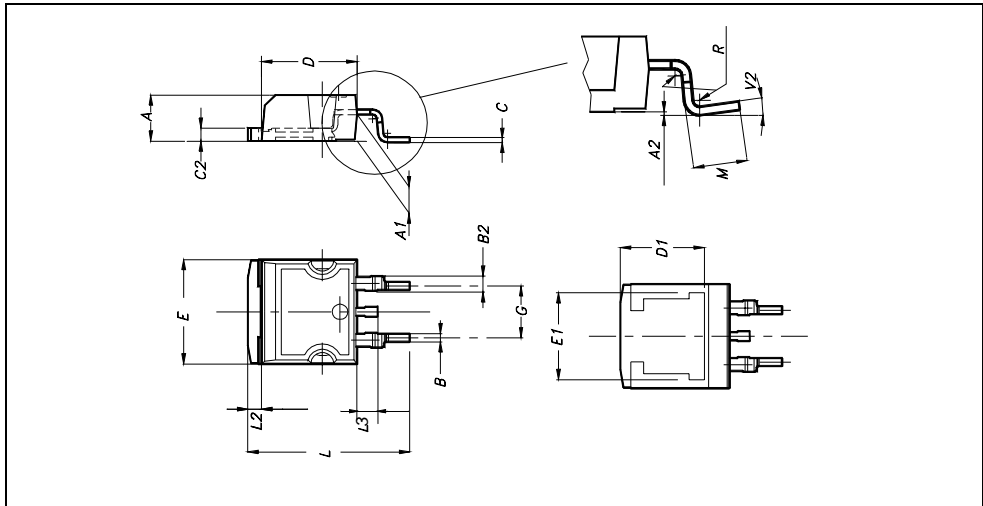
TO-262 (I²PAK) MECHANICAL DATA

DIM.	mm.			inch		
	MIN.	TYP.	MAX.	MIN.	TYP.	MAX.
A	4.40		4.60	0.173		0.181
A1	2.40		2.72	0.094		0.107
b	0.61		0.88	0.024		0.034
b1	1.14		1.70	0.044		0.066
c	0.49		0.70	0.019		0.027
c2	1.23		1.32	0.048		0.052
D	8.95		9.35	0.352		0.368
e	2.40		2.70	0.094		0.106
e1	4.95		5.15	0.194		0.202
E	10		10.40	0.393		0.410
L	13		14	0.511		0.551
L1	3.50		3.93	0.137		0.154
L2	1.27		1.40	0.050		0.055



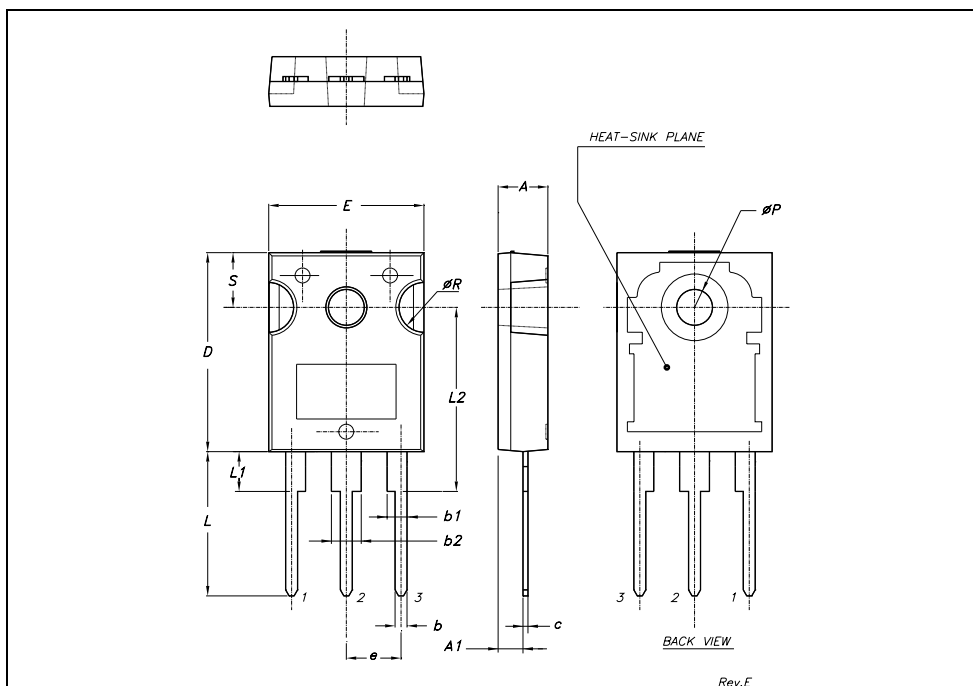
D²PAK MECHANICAL DATA

DIM.	mm.			inch		
	MIN.	TYP	MAX.	MIN.	TYP.	MAX.
A	4.4		4.6	0.173		0.181
A1	2.49		2.69	0.098		0.106
A2	0.03		0.23	0.001		0.009
B	0.7		0.93	0.027		0.036
B2	1.14		1.7	0.044		0.067
C	0.45		0.6	0.017		0.023
C2	1.23		1.36	0.048		0.053
D	8.95		9.35	0.352		0.368
D1		8			0.315	
E	10		10.4	0.393		
E1		8.5			0.334	
G	4.88		5.28	0.192		0.208
L	15		15.85	0.590		0.625
L2	1.27		1.4	0.050		0.055
L3	1.4		1.75	0.055		0.068
M	2.4		3.2	0.094		0.126
R		0.4			0.015	
V2	0°		4°			



TO-247 MECHANICAL DATA

DIM.	mm.			inch		
	MIN.	TYP.	MAX.	MIN.	TYP.	MAX.
A	4.85		5.15	0.19		0.20
A1	2.20		2.60	0.086		0.102
b	1.0		1.40	0.039		0.055
b1	2.0		2.40	0.079		0.094
b2	3.0		3.40	0.118		0.134
c	0.40		0.80	0.015		0.03
D	19.85		20.15	0.781		0.793
E	15.45		15.75	0.608		0.620
e		5.45			0.214	
L	14.20		14.80	0.560		0.582
L1	3.70		4.30	0.14		0.17
L2		18.50			0.728	
øP	3.55		3.65	0.140		0.143
øR	4.50		5.50	0.177		0.216
S		5.50			0.216	



6 Revision History

Date	Revision	Changes
12-Sep-2005	2	Inserted ecopack indication

Information furnished is believed to be accurate and reliable. However, STMicroelectronics assumes no responsibility for the consequences of use of such information nor for any infringement of patents or other rights of third parties which may result from its use. No license is granted by implication or otherwise under any patent or patent rights of STMicroelectronics. Specifications mentioned in this publication are subject to change without notice. This publication supersedes and replaces all information previously supplied. STMicroelectronics products are not authorized for use as critical components in life support devices or systems without express written approval of STMicroelectronics.

The ST logo is a registered trademark of STMicroelectronics.
All other names are the property of their respective owners

© 2005 STMicroelectronics - All rights reserved

STMicroelectronics group of companies

Australia - Belgium - Brazil - Canada - China - Czech Republic - Finland - France - Germany - Hong Kong - India - Israel - Italy - Japan -
Malaysia - Malta - Morocco - Singapore - Spain - Sweden - Switzerland - United Kingdom - United States of America

www.st.com

