



# STB75N20 STP75N20 - STW75N20

N-channel 200V - 0.028Ω - 75A - D<sup>2</sup>PAK - TO-220 - TO-247  
Low gate charge STripFET™ Power MOSFET

## General features

| Type     | V <sub>DSS</sub> | R <sub>DS(on)</sub> | I <sub>D</sub> |
|----------|------------------|---------------------|----------------|
| STB75N20 | 200V             | <0.034Ω             | 75A            |
| STP75N20 | 200V             | <0.034Ω             | 75A            |
| STW75N20 | 200V             | <0.034Ω             | 75A            |

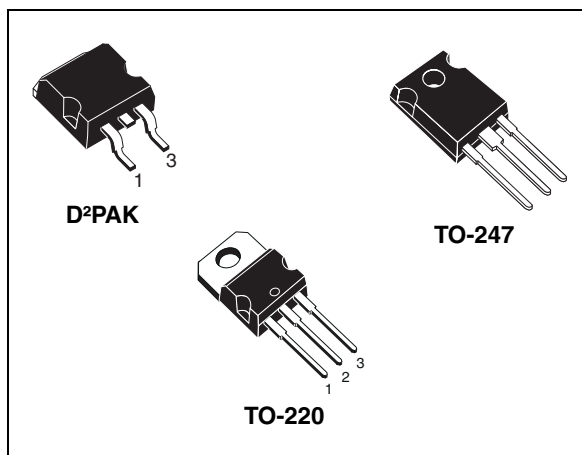
- Exceptional dv/dt capability
- Low gate charge
- 100% Avalanche tested

## Description

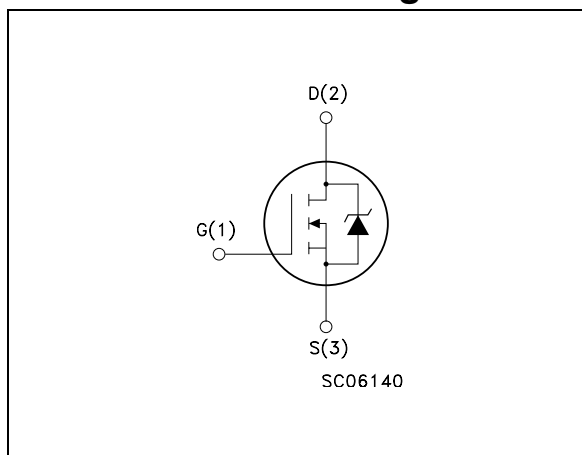
This Power MOSFET series realized with STMicroelectronics unique STripFET™ process has specifically been designed to minimize input capacitance and gate charge. It is therefore suitable as primary switch in advanced high-efficiency isolated DC-DC converters

## Applications

- Switching application



## Internal schematic diagram



## Order codes

| Part number | Marking | Package            | Packaging   |
|-------------|---------|--------------------|-------------|
| STB75N20T4  | B75N20  | D <sup>2</sup> PAK | Tape & reel |
| STP75N20    | P75N20  | TO-220             | Tube        |
| STW75N20    | W75N20  | TO-247             | Tube        |

# Contents

|          |   |           |
|----------|---|-----------|
| <b>1</b> | <b>Electrical ratings</b> .....           | <b>3</b>  |
| <b>2</b> | <b>Electrical characteristics</b> .....   | <b>4</b>  |
| 2.1      | Electrical characteristics (curves) ..... | 6         |
| <b>3</b> | <b>Test circuit</b> .....                 | <b>9</b>  |
| <b>4</b> | <b>Package mechanical data</b> .....      | <b>10</b> |
| <b>5</b> | <b>Packaging mechanical data</b> .....    | <b>12</b> |
| <b>6</b> | <b>Revision history</b> .....             | <b>13</b> |

# 1 Electrical ratings

**Table 1. Absolute maximum ratings**

| Symbol             | Parameter   | Value      | Unit             |
|--------------------|---|------------|------------------|
| $V_{DS}$           | Drain-source voltage ( $V_{GS} = 0$ )                   | 200        | V                |
| $V_{DGR}$          | Drain-gate voltage ( $R_{GS} = 20\text{ k}\Omega$ )     | 200        | V                |
| $V_{GS}$           | Gate-source voltage                                     | $\pm 20$   | V                |
| $I_D$              | Drain current (continuous) at $T_C = 25^\circ\text{C}$  | 75         | A                |
| $I_D$              | Drain current (continuous) at $T_C = 100^\circ\text{C}$ | 47         | A                |
| $I_{DM}^{(1)}$     | Drain current (pulsed)                                  | 300        | A                |
|                    | Derating factor   | 1.52       |                  |
| $P_{TOT}$          | Total dissipation at $T_C = 25^\circ\text{C}$           | 190        | W                |
| $T_J$<br>$T_{stg}$ | Operating junction temperature<br>Storage temperature   | -50 to 150 | $^\circ\text{C}$ |

1.  $I_{SD} \leq 20\text{A}$ ,  $di/dt \leq 100\text{A}/\mu\text{s}$ ,  $V_{DD} = 80\% V_{(BR)DSS}$

**Table 2. Thermal resistance**

| Symbol              | Parameter                                      | Value                     |        | Unit                      |
|---------------------|--|---------------------------|--------|---------------------------|
|                     |  | TO-220/D <sup>2</sup> PAK | TO-247 |                           |
| $R_{thJC}$          | Thermal resistance junction-case Max           | 0.66                      |        | $^\circ\text{C}/\text{W}$ |
| $R_{thJ-pcb}^{(1)}$ | Thermal resistance junction-pcb Max            | 34                        | --     | $^\circ\text{C}/\text{W}$ |
| $R_{thJA}$          | Thermal resistance junction-ambient Max        | 62.5                      | 40     | $^\circ\text{C}/\text{W}$ |
| $T_l$               | Maximum lead temperature for soldering purpose | 300                       |        | $^\circ\text{C}$          |

1. When mounted on inch<sup>2</sup>FR-4 board ( $t \leq 10\mu\text{s}$ )

**Table 3. Avalanche characteristics**

| Symbol   | Parameter   | Max value | Unit |
|----------|---|-----------|------|
| $I_{AR}$ | Avalanche current, repetitive or not-repetitive (pulse width limited by $T_J$ max)                          | 37        | A    |
| $E_{AS}$ | Single pulse avalanche energy (starting $T_J = 25^\circ\text{C}$ , $I_d = I_{AR}$ , $V_{dd} = 50\text{V}$ ) | 205       | mJ   |

## 2 Electrical characteristics

( $T_{CASE}=25^{\circ}C$  unless otherwise specified)

**Table 4. On/off states**

| Symbol        | Parameter  | Test conditions  | Min. | Typ.  | Max.      | Unit               |
|---------------|--|--|------|-------|-----------|--------------------|
| $V_{(BR)DSS}$ | Drain-source breakdown voltage                   | $I_D = 1mA, V_{GS} = 0$  | 200  |       |           | V                  |
| $I_{DSS}$     | Zero gate voltage drain current ( $V_{GS} = 0$ ) | $V_{DS} = \text{Max rating},$<br>$V_{DS} = \text{Max rating} @ 125^{\circ}C$ |      |       | 1<br>10   | $\mu A$<br>$\mu A$ |
| $I_{GSS}$     | Gate body leakage current ( $V_{DS} = 0$ )       | $V_{DS} = \pm 20V$   |      |       | $\pm 100$ | nA                 |
| $V_{GS(th)}$  | Gate threshold voltage                           | $V_{DS} = V_{GS}, I_D = 250\mu A$  | 2    | 3     | 4         | V                  |
| $R_{DS(on)}$  | Static drain-source on resistance                | $V_{GS} = 10V, I_D = 37A$  |      | 0.028 | 0.034     | $\Omega$           |

**Table 5. Dynamic**

| Symbol         | Parameter                    | Test conditions  | Min. | Typ. | Max. | Unit |
|----------------|------------------------------|--|------|------|------|------|
| $g_{fs}^{(1)}$ | Forward transconductance     | $V_{DS} = 15V, I_D = 37A$  |      | 40   |      | S    |
| $C_{iss}$      | Input capacitance            | $V_{DS} = 25V, f = 1 \text{ MHz},$<br>$V_{GS} = 0$               |      | 3260 |      | pF   |
| $C_{oss}$      | Output capacitance           |  |      | 640  |      | pF   |
| $C_{rss}$      | Reverse Transfer Capacitance |  |      | 110  |      | pF   |
| $Q_g$          | Total gate charge            | $V_{DD} = 160V, I_D = 75A,$<br>$V_{GS} = 10V$<br>(see Figure 16) |      | 84   |      | nC   |
| $Q_{gs}$       | Gate-source charge           |  |      | 18   |      | nC   |
| $Q_{gd}$       | Gate-drain charge            |  |      | 34   |      | nC   |

1. Pulsed: pulse duration = 300 $\mu s$ , duty cycle 1.5%

**Table 6. Switching times**

| Symbol       | Parameter           | Test conditions   | Min. | Typ. | Max. | Unit |
|--------------|---------------------|---|------|------|------|------|
| $t_{d(on)}$  | Turn-on delay time  | $V_{DD} = 100V, I_D = 37A$<br>$R_G = 4.7\Omega, V_{GS} = 10V,$<br>(see Figure 15) |      | 53   |      | ns   |
| $t_r$        | Rise time           |   |      | 33   |      | ns   |
| $t_{d(off)}$ | Turn-off delay time |   |      | 75   |      | ns   |
| $t_f$        | Fall time           |   |      | 29   |      | ns   |

Table 7. Source drain diode

| Symbol          | Parameter                     | Test conditions                     | Min | Typ. | Max | Unit    |
|-----------------|-------------------------------|-------------------------------------|-----|------|-----|---------|
| $I_{SD}$        | Source-drain current          |                                     |     |      | 75  | A       |
| $I_{SDM}^{(1)}$ | Source-drain current (pulsed) |                                     |     |      | 300 | A       |
| $V_{SD}^{(2)}$  | Forward on voltage            | $I_{SD} = 75A, V_{GS} = 0$          |     |      | 1.6 | V       |
| $t_{rr}$        | Reverse recovery time         | $I_{SD} = 75A, V_{DD} = 100V$       |     | 222  |     | ns      |
| $Q_{rr}$        | Reverse recovery charge       | $di/dt = 100 A/\mu s$               |     | 2.18 |     | $\mu C$ |
| $I_{RRM}$       | Reverse recovery current      | $T_j = 25^\circ C$ (see Figure 20)  |     | 19   |     | A       |
| $t_{rr}$        | Reverse recovery time         | $I_{SD} = 75A, V_{DD} = 100V$       |     | 267  |     | ns      |
| $Q_{rr}$        | Reverse recovery charge       | $di/dt = 100 A/\mu s$               |     | 3    |     | $\mu C$ |
| $I_{RRM}$       | Reverse recovery current      | $T_j = 150^\circ C$ (see Figure 20) |     | 22   |     | A       |

1. Pulse with limited by maximum temperature
2. Pulsed: pulse duration = 300 $\mu s$ , duty cycle 1.5%

## 2.1 Electrical characteristics (curves)

Figure 1. Safe operating area for TO-220 / D<sup>2</sup>PAK

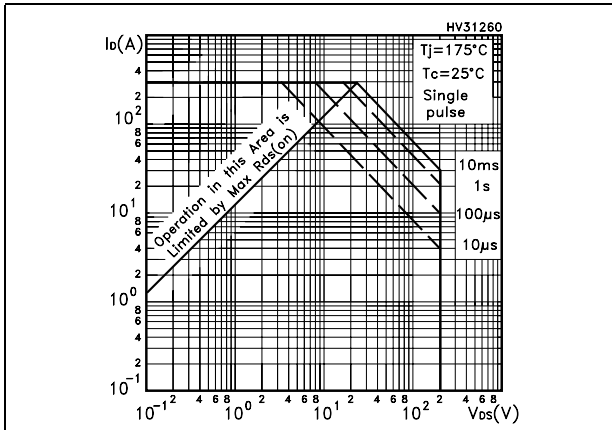


Figure 2. Thermal impedance for TO-220 / D<sup>2</sup>PAK

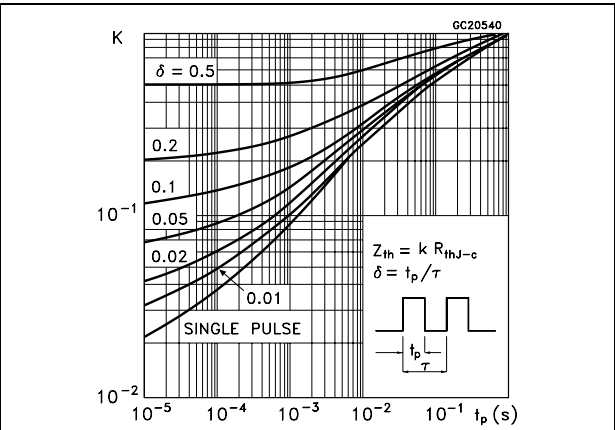


Figure 3. Safe operating area for TO-247

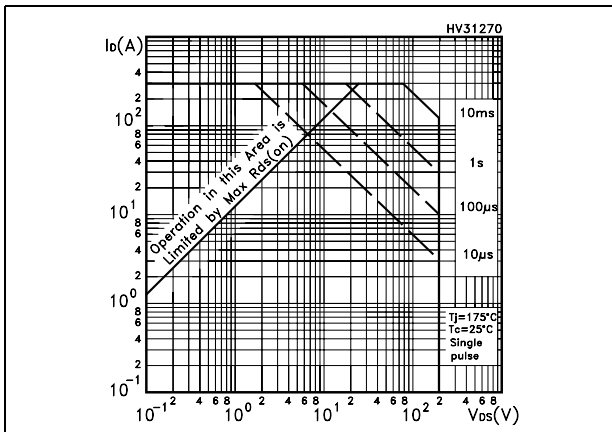


Figure 4. Thermal impedance for TO-247

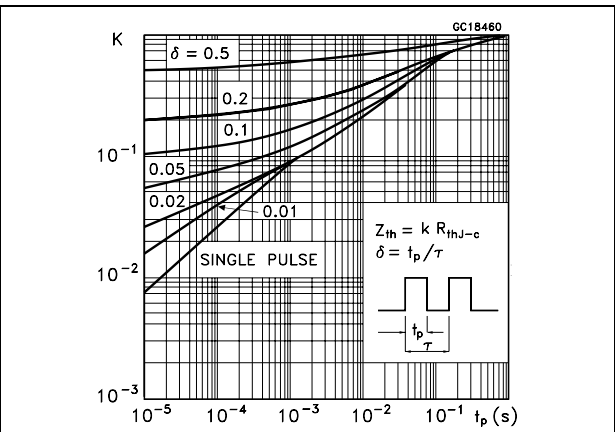


Figure 5. Output characteristics

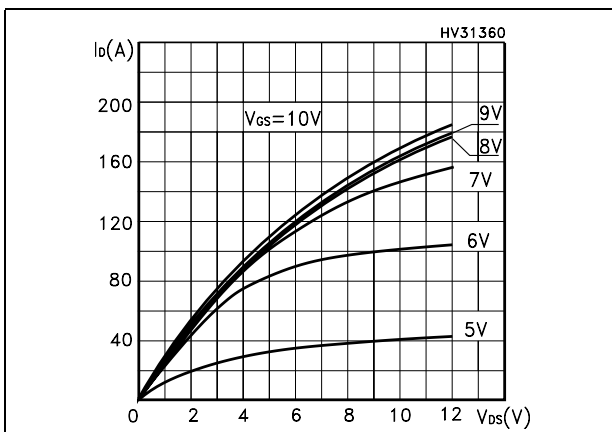


Figure 6. Transfer characteristics

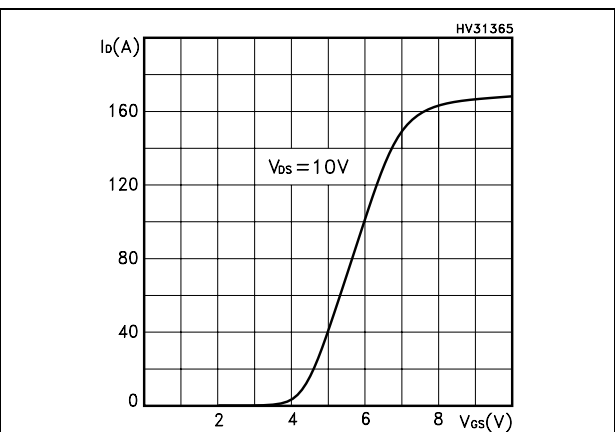


Figure 7. Normalized  $B_{V_{DS}}$  vs temperature

Figure 8. Static drain-source on resistance

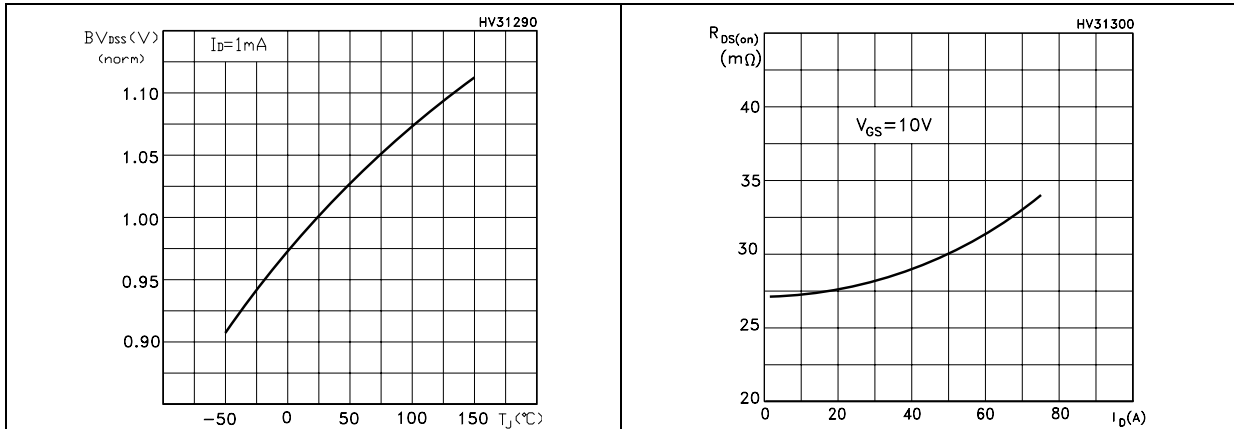


Figure 9. Gate charge vs gate-source voltage

Figure 10. Capacitance variations

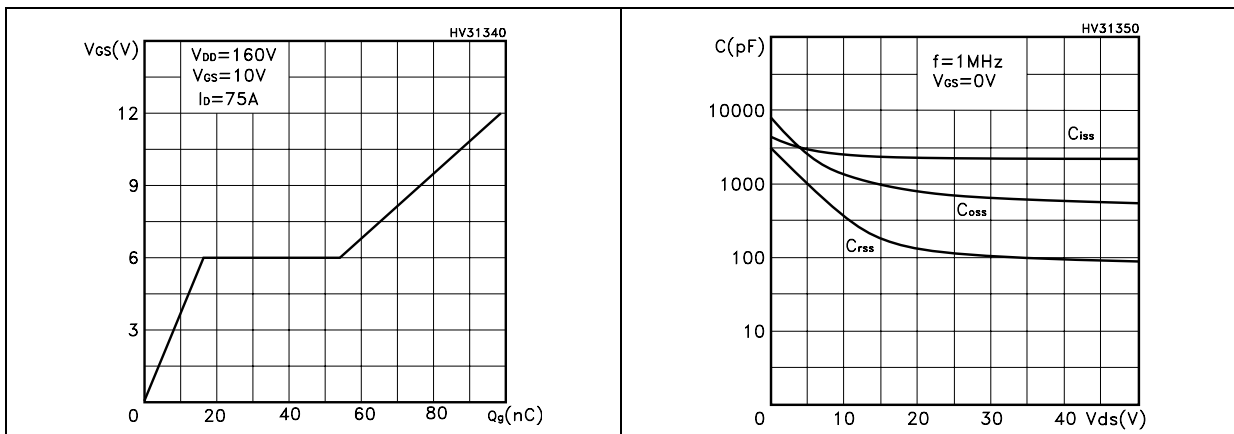


Figure 11. Normalized gate threshold voltage vs temperature

Figure 12. Normalized on resistance vs temperature

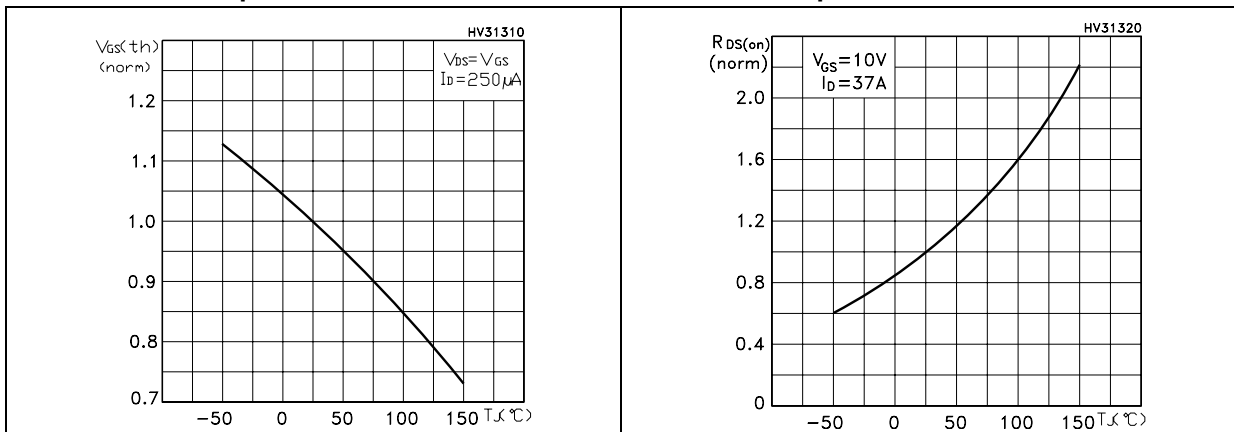


Figure 13. Source-drain diode forward characteristics

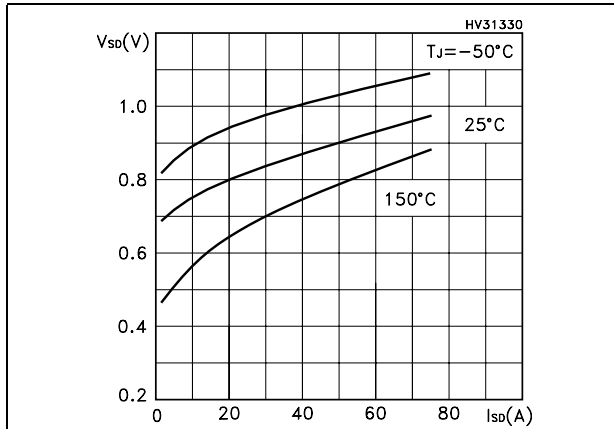
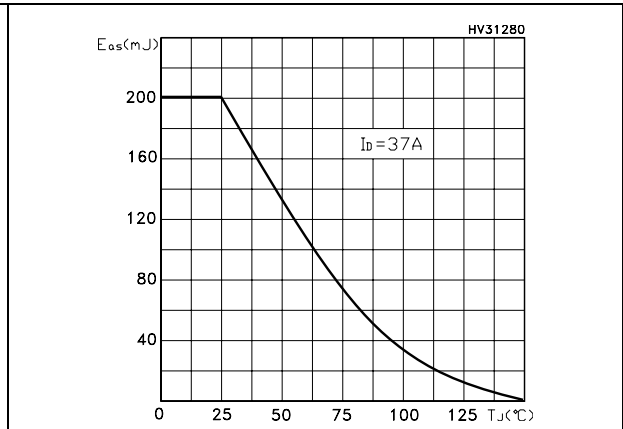


Figure 14. Avalanche energy vs starting  $T_J$





### 3 Test circuit

Figure 15. Switching times test circuit for resistive load



Figure 16. Gate charge test circuit

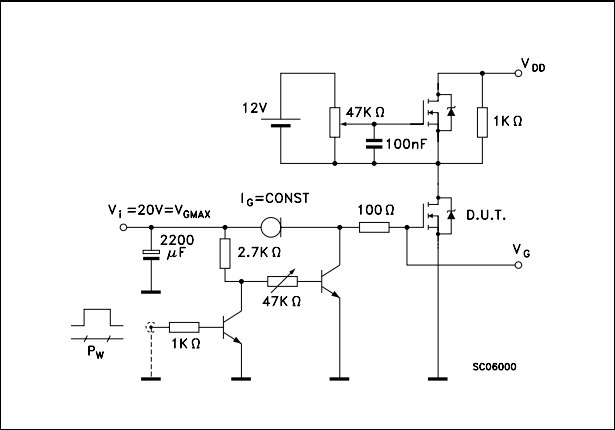


Figure 17. Test circuit for inductive load switching and diode recovery times

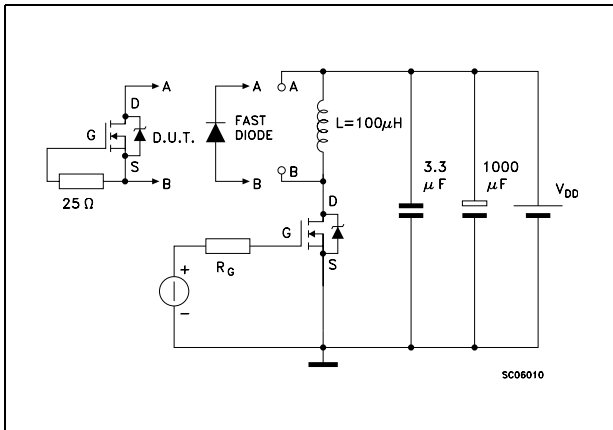


Figure 18. Unclamped inductive load test circuit

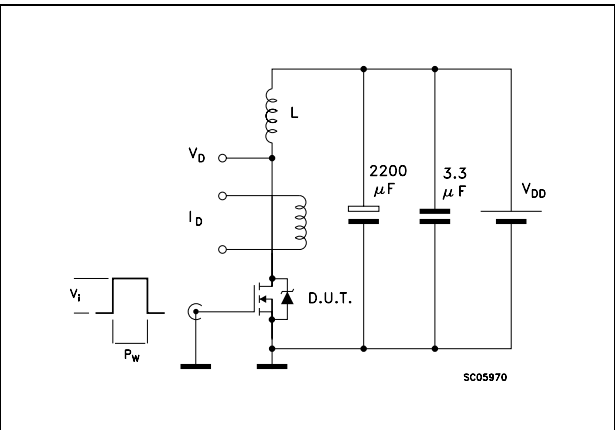
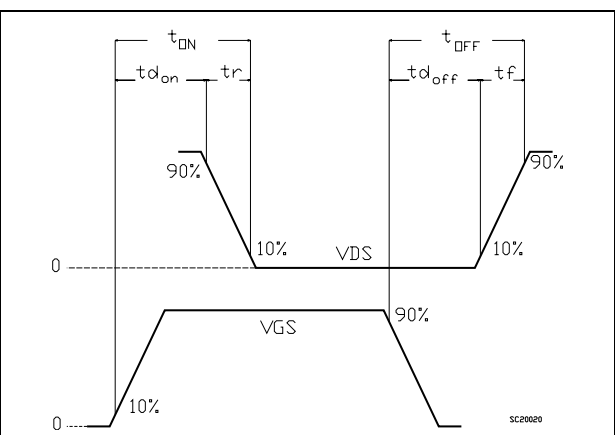


Figure 19. Unclamped inductive waveform



Figure 20. Switching time waveform

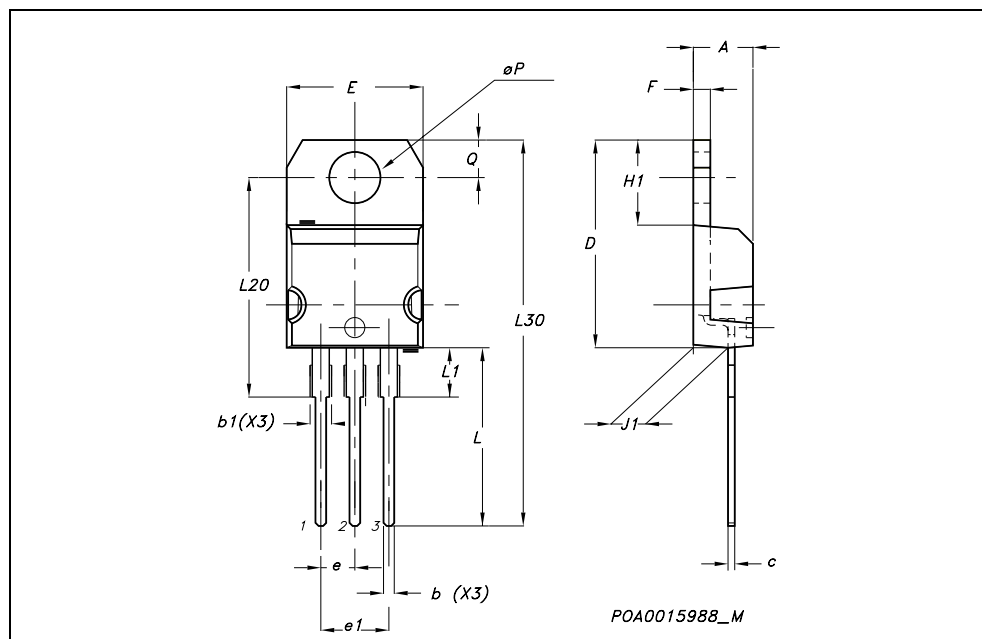


## 4 Package mechanical data

In order to meet environmental requirements, ST offers these devices in ECOPACK® packages. These packages have a Lead-free second level interconnect . The category of second level interconnect is marked on the package and on the inner box label, in compliance with JEDEC Standard JESD97. The maximum ratings related to soldering conditions are also marked on the inner box label. ECOPACK is an ST trademark. ECOPACK specifications are available at: [www.st.com](http://www.st.com)

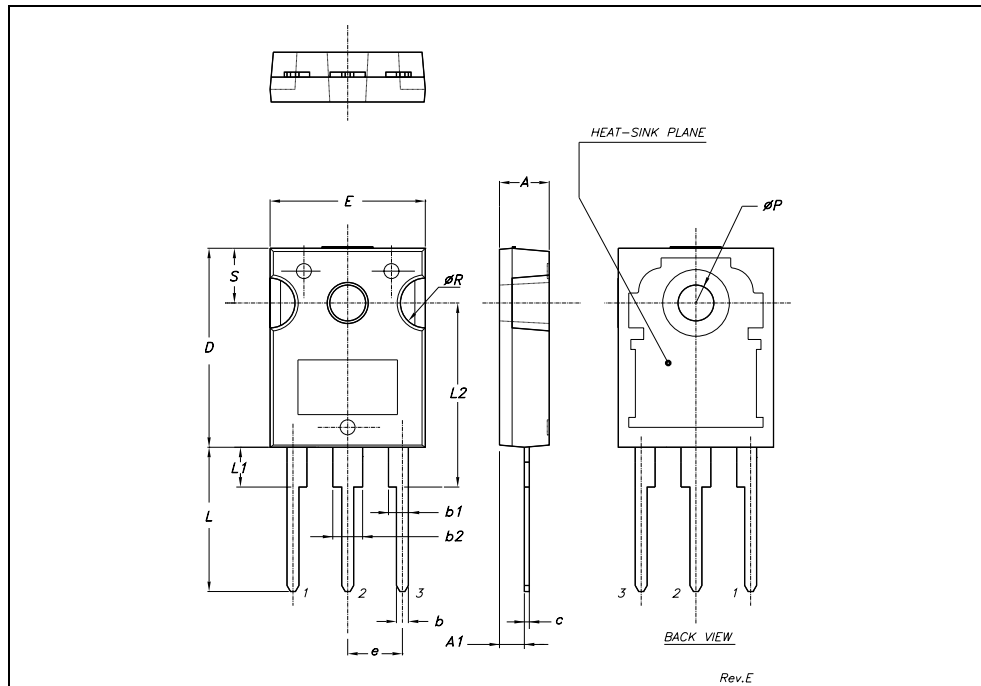
## TO-220 MECHANICAL DATA

| DIM. | mm.   |       |       | inch  |       |       |
|------|-------|-------|-------|-------|-------|-------|
|      | MIN.  | TYP.  | MAX.  | MIN.  | TYP.  | MAX.  |
| A    | 4.40  |       | 4.60  | 0.173 |       | 0.181 |
| b    | 0.61  |       | 0.88  | 0.024 |       | 0.034 |
| b1   | 1.15  |       | 1.70  | 0.045 |       | 0.066 |
| c    | 0.49  |       | 0.70  | 0.019 |       | 0.027 |
| D    | 15.25 |       | 15.75 | 0.60  |       | 0.620 |
| E    | 10    |       | 10.40 | 0.393 |       | 0.409 |
| e    | 2.40  |       | 2.70  | 0.094 |       | 0.106 |
| e1   | 4.95  |       | 5.15  | 0.194 |       | 0.202 |
| F    | 1.23  |       | 1.32  | 0.048 |       | 0.052 |
| H1   | 6.20  |       | 6.60  | 0.244 |       | 0.256 |
| J1   | 2.40  |       | 2.72  | 0.094 |       | 0.107 |
| L    | 13    |       | 14    | 0.511 |       | 0.551 |
| L1   | 3.50  |       | 3.93  | 0.137 |       | 0.154 |
| L20  |       | 16.40 |       |       | 0.645 |       |
| L30  |       | 28.90 |       |       | 1.137 |       |
| øP   | 3.75  |       | 3.85  | 0.147 |       | 0.151 |
| Q    | 2.65  |       | 2.95  | 0.104 |       | 0.116 |



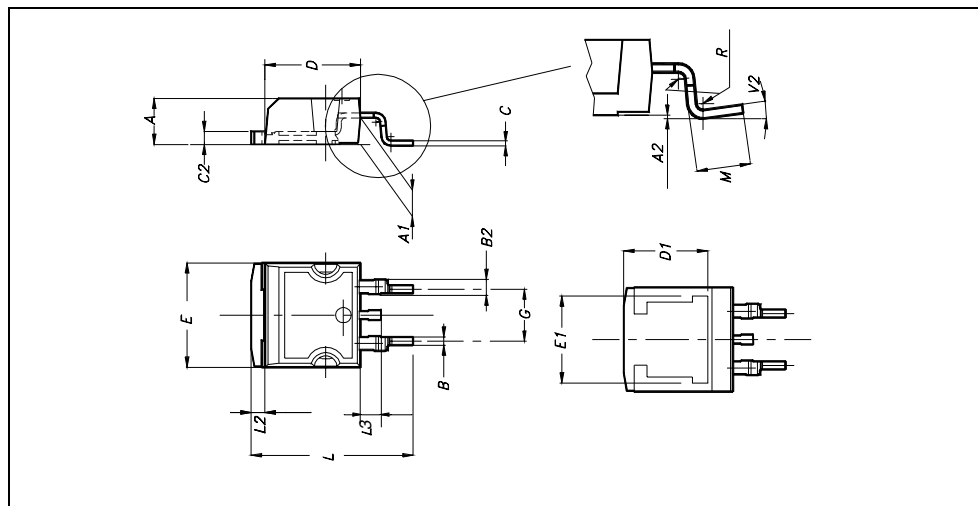
**TO-247 MECHANICAL DATA**

| DIM. | mm.   |       |       | inch  |       |       |
|------|-------|-------|-------|-------|-------|-------|
|      | MIN.  | TYP.  | MAX.  | MIN.  | TYP.  | MAX.  |
| A    | 4.85  |       | 5.15  | 0.19  |       | 0.20  |
| A1   | 2.20  |       | 2.60  | 0.086 |       | 0.102 |
| b    | 1.0   |       | 1.40  | 0.039 |       | 0.055 |
| b1   | 2.0   |       | 2.40  | 0.079 |       | 0.094 |
| b2   | 3.0   |       | 3.40  | 0.118 |       | 0.134 |
| c    | 0.40  |       | 0.80  | 0.015 |       | 0.03  |
| D    | 19.85 |       | 20.15 | 0.781 |       | 0.793 |
| E    | 15.45 |       | 15.75 | 0.608 |       | 0.620 |
| e    |       | 5.45  |       |       | 0.214 |       |
| L    | 14.20 |       | 14.80 | 0.560 |       | 0.582 |
| L1   | 3.70  |       | 4.30  | 0.14  |       | 0.17  |
| L2   |       | 18.50 |       |       | 0.728 |       |
| øP   | 3.55  |       | 3.65  | 0.140 |       | 0.143 |
| øR   | 4.50  |       | 5.50  | 0.177 |       | 0.216 |
| S    |       | 5.50  |       |       | 0.216 |       |



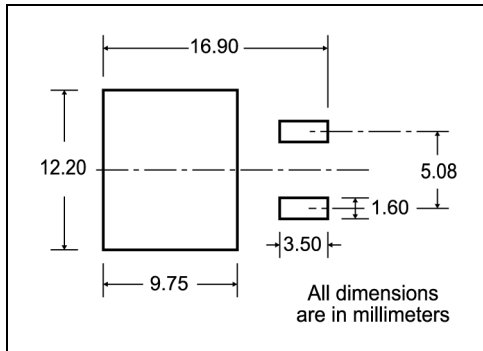
**D<sup>2</sup>PAK MECHANICAL DATA**

| DIM. | mm.  |     |       | inch  |       |       |
|------|------|-----|-------|-------|-------|-------|
|      | MIN. | TYP | MAX.  | MIN.  | TYP.  | MAX.  |
| A    | 4.4  |     | 4.6   | 0.173 |       | 0.181 |
| A1   | 2.49 |     | 2.69  | 0.098 |       | 0.106 |
| A2   | 0.03 |     | 0.23  | 0.001 |       | 0.009 |
| B    | 0.7  |     | 0.93  | 0.027 |       | 0.036 |
| B2   | 1.14 |     | 1.7   | 0.044 |       | 0.067 |
| C    | 0.45 |     | 0.6   | 0.017 |       | 0.023 |
| C2   | 1.23 |     | 1.36  | 0.048 |       | 0.053 |
| D    | 8.95 |     | 9.35  | 0.352 |       | 0.368 |
| D1   |      | 8   |       |       | 0.315 |       |
| E    | 10   |     | 10.4  | 0.393 |       |       |
| E1   |      | 8.5 |       |       | 0.334 |       |
| G    | 4.88 |     | 5.28  | 0.192 |       | 0.208 |
| L    | 15   |     | 15.85 | 0.590 |       | 0.625 |
| L2   | 1.27 |     | 1.4   | 0.050 |       | 0.055 |
| L3   | 1.4  |     | 1.75  | 0.055 |       | 0.068 |
| M    | 2.4  |     | 3.2   | 0.094 |       | 0.126 |
| R    |      | 0.4 |       |       | 0.015 |       |
| V2   | 0°   |     | 4°    |       |       |       |



# 5 Packaging mechanical data

## D<sup>2</sup>PAK FOOTPRINT



## TAPE AND REEL SHIPMENT

**TAPE MECHANICAL DATA**

| DIM. | mm   |      | inch   |        |
|------|------|------|--------|--------|
|      | MIN. | MAX. | MIN.   | MAX.   |
| A0   | 10.5 | 10.7 | 0.413  | 0.421  |
| B0   | 15.7 | 15.9 | 0.618  | 0.626  |
| D    | 1.5  | 1.6  | 0.059  | 0.063  |
| D1   | 1.59 | 1.61 | 0.062  | 0.063  |
| E    | 1.65 | 1.85 | 0.065  | 0.073  |
| F    | 11.4 | 11.6 | 0.449  | 0.456  |
| K0   | 4.8  | 5.0  | 0.189  | 0.197  |
| P0   | 3.9  | 4.1  | 0.153  | 0.161  |
| P1   | 11.9 | 12.1 | 0.468  | 0.476  |
| P2   | 1.9  | 2.1  | 0.075  | 0.082  |
| R    | 50   |      | 1.574  |        |
| T    | 0.25 | 0.35 | 0.0098 | 0.0137 |
| W    | 23.7 | 24.3 | 0.933  | 0.956  |

**REEL MECHANICAL DATA**

| DIM. | mm   |      | inch  |        |
|------|------|------|-------|--------|
|      | MIN. | MAX. | MIN.  | MAX.   |
| A    |      | 330  |       | 12.992 |
| B    | 1.5  |      | 0.059 |        |
| C    | 12.8 | 13.2 | 0.504 | 0.520  |
| D    | 20.2 |      | 0.795 |        |
| G    | 24.4 | 26.4 | 0.960 | 1.039  |
| N    | 100  |      | 3.937 |        |
| T    |      | 30.4 |       | 1.197  |

| BASE QTY | BULK QTY |
|----------|----------|
| 1000     | 1000     |

10 pitches cumulative tolerance on tape +/- 0.2 mm

Center line of cavity

User Direction of Feed

FEED DIRECTION

TRL

Bending radius

R min.

\* on sales type

## 6 Revision history

**Table 8. Revision history**

| <b>Date</b> | <b>Revision</b> | <b>Changes</b>                  |
|-------------|-----------------|---------------------------------|
| 08-May-2005 | 1               | First release                   |
| 28-Mar-2006 | 2               | Preliminary version             |
| 19-May-2006 | 3               | Complete version with curves    |
| 19-Jul-2006 | 4               | New template, no content change |

**Please Read Carefully:**

Information in this document is provided solely in connection with ST products. STMicroelectronics NV and its subsidiaries ("ST") reserve the right to make changes, corrections, modifications or improvements, to this document, and the products and services described herein at any time, without notice.

All ST products are sold pursuant to ST's terms and conditions of sale.

Purchasers are solely responsible for the choice, selection and use of the ST products and services described herein, and ST assumes no liability whatsoever relating to the choice, selection or use of the ST products and services described herein.

No license, express or implied, by estoppel or otherwise, to any intellectual property rights is granted under this document. If any part of this document refers to any third party products or services it shall not be deemed a license grant by ST for the use of such third party products or services, or any intellectual property contained therein or considered as a warranty covering the use in any manner whatsoever of such third party products or services or any intellectual property contained therein.

**UNLESS OTHERWISE SET FORTH IN ST'S TERMS AND CONDITIONS OF SALE ST DISCLAIMS ANY EXPRESS OR IMPLIED WARRANTY WITH RESPECT TO THE USE AND/OR SALE OF ST PRODUCTS INCLUDING WITHOUT LIMITATION IMPLIED WARRANTIES OF MERCHANTABILITY, FITNESS FOR A PARTICULAR PURPOSE (AND THEIR EQUIVALENTS UNDER THE LAWS OF ANY JURISDICTION), OR INFRINGEMENT OF ANY PATENT, COPYRIGHT OR OTHER INTELLECTUAL PROPERTY RIGHT.**

**UNLESS EXPRESSLY APPROVED IN WRITING BY AN AUTHORIZED ST REPRESENTATIVE, ST PRODUCTS ARE NOT RECOMMENDED, AUTHORIZED OR WARRANTED FOR USE IN MILITARY, AIR CRAFT, SPACE, LIFE SAVING, OR LIFE SUSTAINING APPLICATIONS, NOR IN PRODUCTS OR SYSTEMS WHERE FAILURE OR MALFUNCTION MAY RESULT IN PERSONAL INJURY, DEATH, OR SEVERE PROPERTY OR ENVIRONMENTAL DAMAGE. ST PRODUCTS WHICH ARE NOT SPECIFIED AS "AUTOMOTIVE GRADE" MAY ONLY BE USED IN AUTOMOTIVE APPLICATIONS AT USER'S OWN RISK.**

Resale of ST products with provisions different from the statements and/or technical features set forth in this document shall immediately void any warranty granted by ST for the ST product or service described herein and shall not create or extend in any manner whatsoever, any liability of ST.

ST and the ST logo are trademarks or registered trademarks of ST in various countries.

Information in this document supersedes and replaces all information previously supplied.

The ST logo is a registered trademark of STMicroelectronics. All other names are the property of their respective owners.

© 2006 STMicroelectronics - All rights reserved

STMicroelectronics group of companies

Australia - Belgium - Brazil - Canada - China - Czech Republic - Finland - France - Germany - Hong Kong - India - Israel - Italy - Japan - Malaysia - Malta - Morocco - Singapore - Spain - Sweden - Switzerland - United Kingdom - United States of America

[www.st.com](http://www.st.com)