

DVR set-top box decoder

DATA BRIEF

DESCRIPTION

STMicroelectronics extends its range of silicon devices supporting the Secure Video Processor standard with the introduction of the STx5524 MPEG decoder.

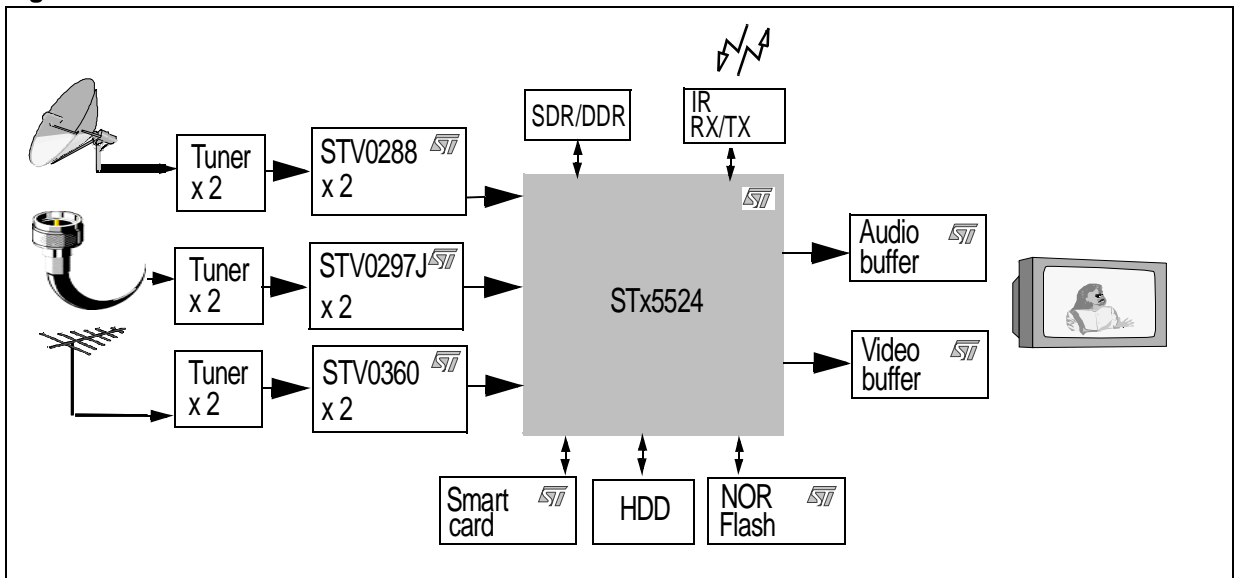
Developed specifically to be an open standard, SVP technology gives consumers total confidence that legitimately purchased content can be viewed on a variety of devices from different manufacturers.

The STx5524 device embeds a SATA interface to allow the device to be used in Digital Video Recorders (DVRs). A high performance 300 MHz ST200 CPU powers ever more demanding applications and operating systems, and two embedded USB2.0 host ports are provided for connectivity.

Figure 1. Package
(27 x 27 PGBGA 416, 1 mm pitch)



Figure 2. STx5524



FEATURES

- ST231 multi-issue host CPU
 - 300 MHz
 - 32 Kbyte ICache, 32 Kbyte DCache
 - MMU processor
- Secure Video Processor (SVP) support
- Multi-input DVR-capable transport subsystem
 - Supports DVB and DIRECTV® stream,
 - Integrated DES, DVB, ICAM, Multi2, AES descramblers,
 - NDS RASP compliant.
- Dual MPEG-2 MP@ML video decoder
 - Smooth fastforward and rewind trickmodes
- Dual TV output
 - PAL/NTSC/SECAM encoders
- Blitter based graphics
 - up to 32 bpp with alpha blending
- Dual audio decoding and PCM mixing
 - MPEG layers I/II, and Dolby® Digital
- Dual USB 2.0 ports
- Integrated SATA interface.

PART NUMBERING**Table 1. Order Codes**

Part Number	Description
STx5524	MPEG decoder
STx5524-MBoard	Evaluation platform
STx5524-DVB	STAPI drivers

REVISION HISTORY**Table 2. Revision history**

www.DataSheet4U.com

Date	Revision	Description of changes
Aug-2005	1	First issue

Information furnished is believed to be accurate and reliable. However, STMicroelectronics assumes no responsibility for the consequences of use of such information nor for any infringement of patents or other rights of third parties which may result from its use. No license is granted by implication or otherwise under any patent or patent rights of STMicroelectronics. Specifications mentioned in this publication are subject to change without notice. This publication supersedes and replaces all information previously supplied. STMicroelectronics products are not authorized for use as critical components in life support devices or systems without express written approval of STMicroelectronics.

The ST logo is a registered trademark of STMicroelectronics.

All other names are the property of their respective owners

© 2005 STMicroelectronics - All rights reserved

STMicroelectronics group of companies

Australia - Belgium - Brazil - Canada - China - Czech Republic - Finland - France - Germany - Hong Kong - India - Israel - Italy - Japan - Malaysia - Malta - Morocco - Singapore - Spain - Sweden - Switzerland - United Kingdom - United States of America

www.st.com