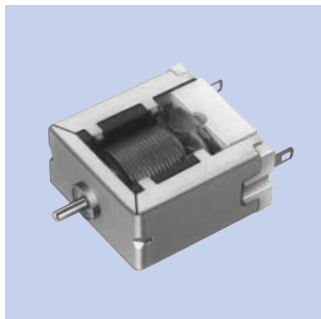


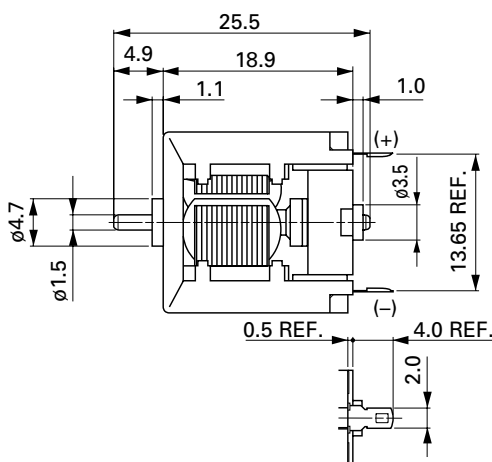
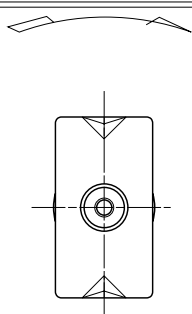
Typical Applications Toys and Models : Motorized Toy



| MODEL | VOLTAGE | | NO LOAD | | AT MAXIMUM EFFICIENCY | | | | | STALL | | |
|----------------|-----------------|---------------|---------|---------|-----------------------|---------|--------|------|--------|--------|------|---------|
| | OPERATING RANGE | NOMINAL | SPEED | CURRENT | SPEED | CURRENT | TORQUE | | OUTPUT | TORQUE | | CURRENT |
| | | | r/min | A | r/min | A | mN·m | g·cm | W | mN·m | g·cm | A |
| SU-020RA-1665 | 1.5 | 1.5V CONSTANT | 15300 | 0.21 | 11080 | 0.55 | 0.22 | 2.2 | 0.25 | 0.79 | 8.1 | 1.45 |
| SU-020RA-09170 | 3.0 | 3V CONSTANT | 11800 | 0.080 | 8150 | 0.18 | 0.15 | 1.6 | 0.13 | 0.50 | 5.1 | 0.40 |
| SU-020SA-1665 | 1.5 | 1.5V CONSTANT | 12100 | 0.18 | 9000 | 0.52 | 0.31 | 3.2 | 0.30 | 1.23 | 13 | 1.52 |
| SU-020SA-09170 | 1.5 ~ 3.0 | 3V CONSTANT | 9300 | 0.070 | 6530 | 0.17 | 0.23 | 2.3 | 0.15 | 0.76 | 7.8 | 0.39 |

UNIT: MILLIMETERS

DIRECTION OF ROTATION



WEIGHT: 9.5g (APPROX)

SU-020RA-1665

1.5V

SU-020SA-1665

1.5V

