

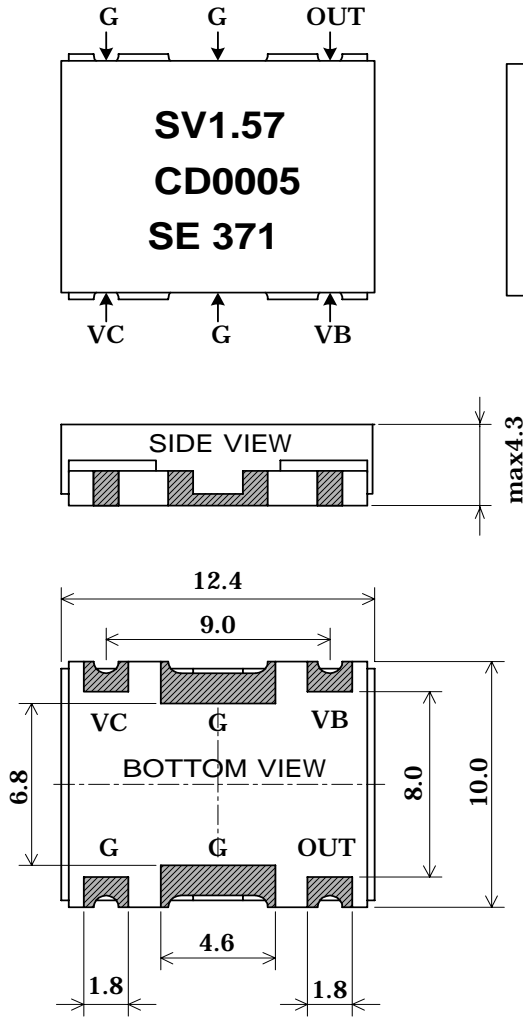
1. APPLICATION

W-CDMA RF

2. PART No.

SV1.57CD0005

3. DIMENSIONS

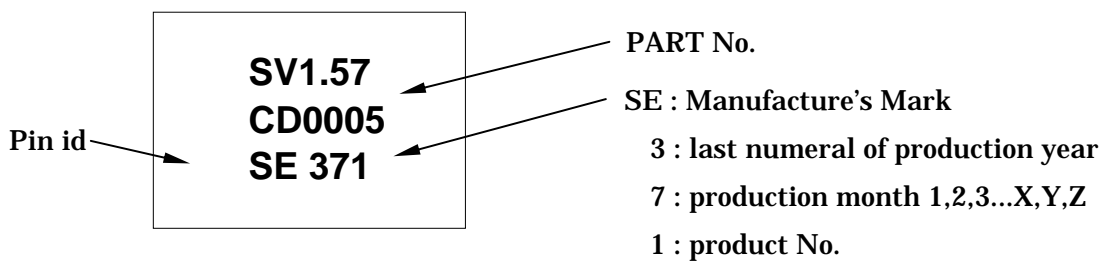


OUT : RF OUTPUT
 VB : POWER SUPPLY
 VC : CONTROL VOLT.
 G : GROUND
 NOTE : There is no mark of terminals on the case.

: Terminal electrodes

Unit : mm
 Tolerances :
 Unless otherwise specified, +/-0.3mm

4. MARKING

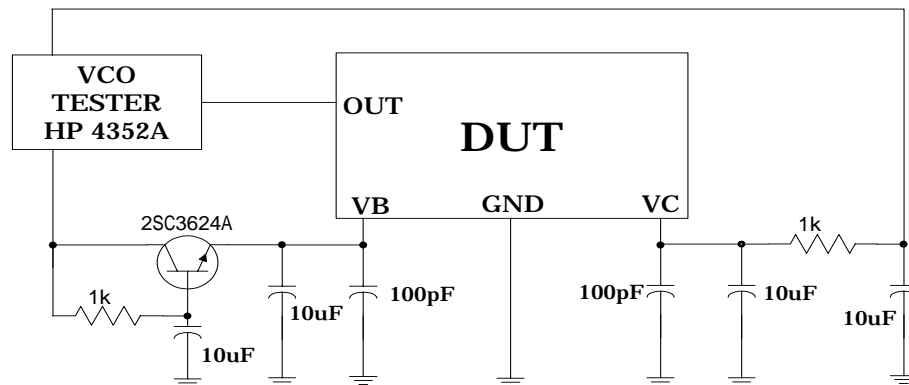


5. LIMITING VALUES

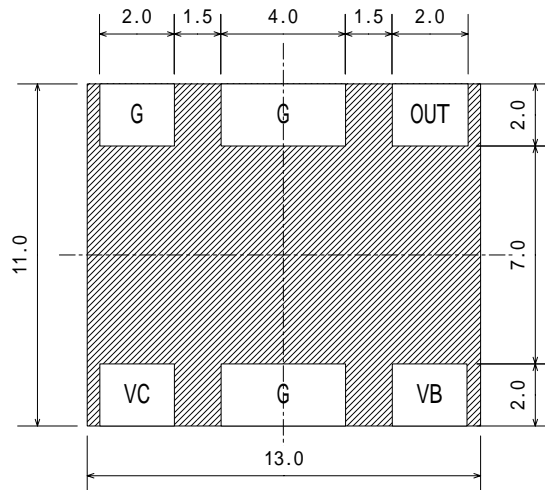
Item	Test Condition	Value			Unit
		min.	typ.	max.	
Supply Voltage	VB	2.85	3.0	3.15	V
Control Voltage Range	VC	0.5	1.5	2.5	V
Current Consumption	VB=3.0V, 0Deg.C up to +80Deg.C	-	19	30	mA
Oscillation Frequency	VC=0.5V, 0Deg.C up to +80Deg.C	-	1525	1540	MHz
	VC=2.5V, 0Deg.C up to +80Deg.C	1600	1615	-	
Control Voltage Sensitivity	VC=0.5V up to 2.5V average	36	45	-	MHz/V
Output Level	Load=50ohm, +25Deg.C +/- 5Deg.C	-3.0	0.0	+3.0	dBm
	Load=50ohm, 0Deg.C up to +80Deg.C	-4.0	-	+4.0	dBm
Phase Noise	offset=10kHz, 0Deg.C up to +80Deg.C	97	102	-	dBc/Hz
Pushing Figure	VB=3.0V +/- 0.15V, ref=3.0V	-1.0	-	+1.0	MHz
Pulling Figure	VSWR=2 for all phase, ref=50ohm	-1.0	-	+1.0	MHz
Temperature Stability	0Deg.C up to +80Deg.C, ref=+25Deg.C	-4	-	+4	MHz
Harmonic Suppression	Till Third harmonics	-	-30	-15	dBc
Operating Temp. Range		0	-	+80	Deg.C
Storage Temp. Range		-40	-	+85	Deg.C

Note: Unless otherwise VB=3.0V, VC=1.5V, Ta=+25Deg.C +/- 5Deg.C, Load=50ohm

6. MEASUREMENT PROCEDURE



7. RECOMMENDED LAND PATTERN



Note :

Any line pattern shall be avoided on shaded portion.

Unit : mm