

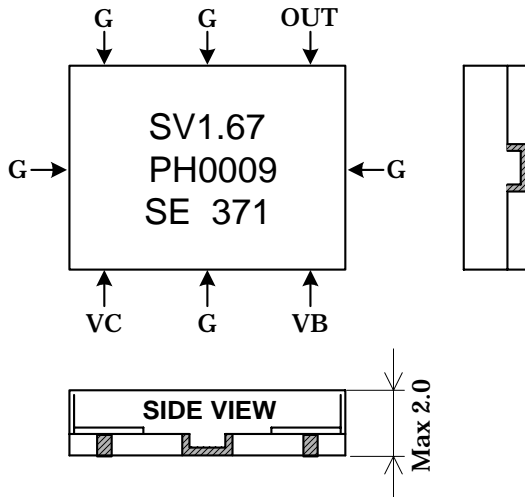
## 1. APPLICATION

PHS RF

## 2. PART No.

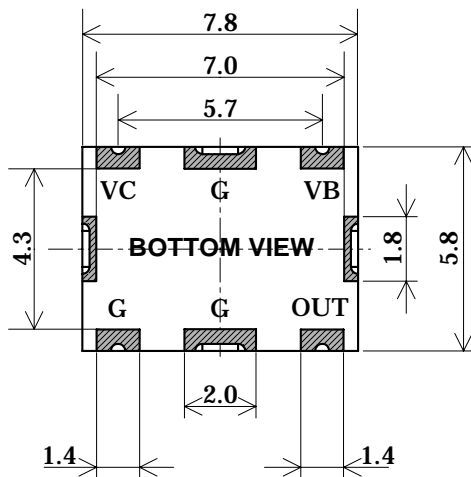
SV1.67PH0009

## 3. DIMENSIONS



OUT : RF OUTPUT  
 VB : POWER SUPPLY  
 VC : CONTROL VOLT.  
 G : GROUND

NOTE: There is no mark of terminals on the case.



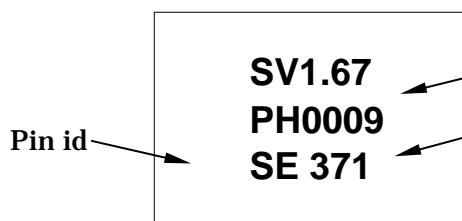
: Terminal electrodes.

Unit: mm

Tolerances :

Unless otherwise specified, +/-0.2mm

## 4. MARKING



PART No.

SE : Manufacture's Mark

3 : last numeral of production year

7 : production month 1,2,3...X,Y,Z

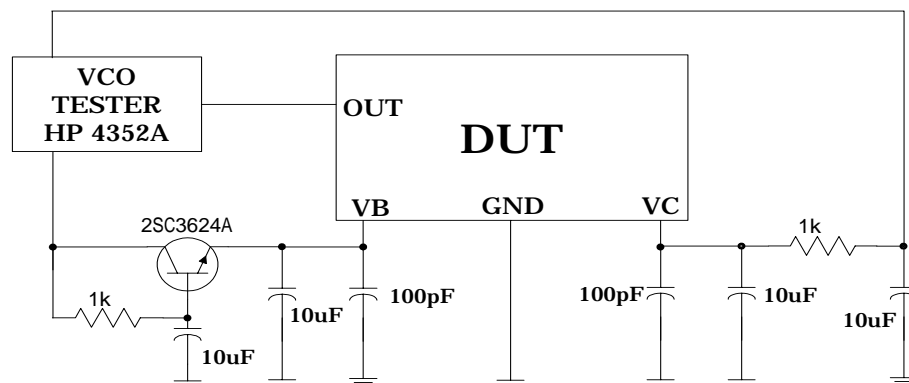
1 : product No.

## 5. LIMITING VALUES

Item	Test Condition	Value			Unit
		min.	typ.	max.	
Supply Voltage	VB	3.15	3.3	3.45	V
Control Voltage Range	VC	0.3	1.65	3.0	V
Current Consumption	VB=3.3V, -30Deg.C up to +55Deg.C	-	10	15	mA
Oscillation Frequency	VC=0.3V, -30Deg.C up to +55Deg.C	-	1610	1640	MHz
	VC=3.0V, -30Deg.C up to +55Deg.C	1690	1720	-	
Control Voltage Sensitivity	VC=0.3V up to 3.0V average	33	40	47	MHz/V
Output Level	Load=50ohm, +25Deg.C +/- 5Deg.C	-1.0	+2.0	+5.0	dBm
	Load=50ohm, -30Deg.C up to +55Deg.C	-2.0	-	+6.0	dBm
Phase Noise	offset=10kHz, -30Deg.C up to +55Deg.C	95	100	-	dBc/Hz
Pushing Figure	VB=3.3V +/- 0.15V, ref=3.3V	-2.0	-	+2.0	MHz
Pulling Figure	VSWR=2 for all phase, ref=50ohm	-3.0	-	+3.0	MHz
Temperature Stability	-30Deg.C up to +55Deg.C, ref=+25Deg.C	-10	-	+10	MHz
Harmonic Suppression	Till Third harmonics	-	-25	-15	dBc
Operating Temp. Range		-30	-	+55	Deg.C
Storage Temp. Range		-40	-	+85	Deg.C

Note: Unless otherwise VB=3.3V, VC=1.65V, Ta=+25Deg.C +/- 5Deg.C, Load=50ohm

## 6. MEASUREMENT PROCEDURE



## 7. RECOMMENDED LAND PATTERN

