

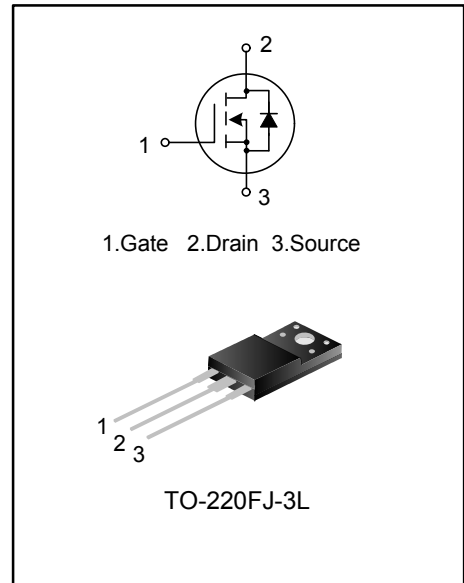
10A, 600V N-CHANNEL MOSFET

GENERAL DESCRIPTION

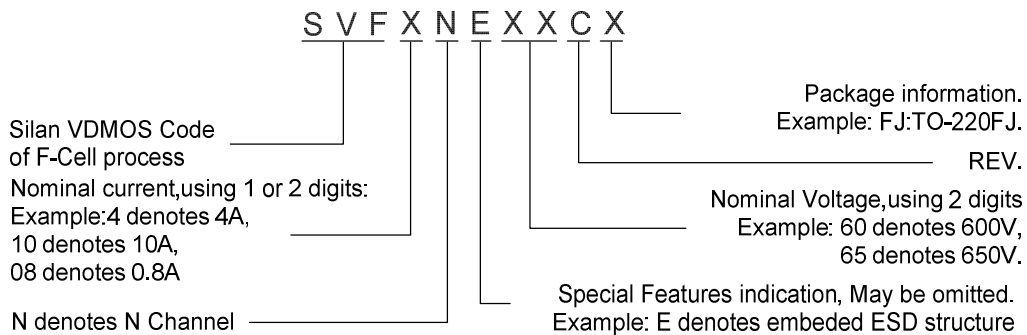
SVF10N60CFJ is an N-channel enhancement mode power MOS field effect transistor which is produced using Silan proprietary F-Cell™ structure VDMOS technology. The improved process and cell structure have been especially tailored to minimize on-state resistance, provide superior switching performance, and withstand high energy pulse in the avalanche and commutation mode. These devices are widely used in AC-DC power supplies, DC-DC converters and H-bridge PWM motor drivers.

FEATURES

- ◆ 10A, 600V, $R_{DS(on)(typ.)}=0.75\Omega@V_{GS}=10V$
- ◆ Low gate charge
- ◆ Low Crss
- ◆ Fast switching
- ◆ Improved dv/dt capability



NOMENCLATURE



ORDERING INFORMATION

Part No.	Package	Marking	Hazardous Substance Control	Packing
SVF10N60CFJ	TO-220FJ-3L	10N60CFJ	Halogen free	Tube

ABSOLUTE MAXIMUM RATINGS (T_C=25°C unless otherwise noted)

Characteristics		Symbol	Ratings	Unit
Drain-Source Voltage		V _{DS}	600	V
Gate-Source Voltage		V _{GS}	±30	V
Drain Current	T _C = 25°C	I _D	10	A
	T _C = 100°C		6.3	
Drain Current Pulsed		I _{DM}	40	A
Power Dissipation(T _C =25°C) -Derate above 25°C		P _D	50	W
			0.4	W/°C
Single Pulsed Avalanche Energy (Note 1)		E _{AS}	654	mJ
Operation Junction Temperature Range		T _J	-55~+150	°C
Storage Temperature Range		T _{stg}	-55~+150	°C

THERMAL CHARACTERISTICS

Characteristics	Symbol	Ratings	Unit
Thermal Resistance, Junction-to-Case	R _{θJC}	2.5	°C/W
Thermal Resistance, Junction-to-Ambient	R _{θJA}	62.5	°C/W

ELECTRICAL CHARACTERISTICS (T_C=25°C unless otherwise noted)

Characteristics	Symbol	Test conditions	Min.	Typ.	Max.	Unit
Drain -Source Breakdown Voltage	BV _{DSS}	V _{GS} =0V, I _D =250μA	600	--	--	V
Drain-Source Leakage Current	I _{DSS}	V _{DS} =600V, V _{GS} =0V	--	--	1.0	μA
Gate-Source Leakage Current	I _{GSS}	V _{GS} =±30V, V _{DS} =0V	--	--	±100	nA
Gate Threshold Voltage	V _{GS(th)}	V _{GS} = V _{DS} , I _D =250μA	2.0	--	4.0	V
Static Drain- Source On State Resistance	R _{DS(on)}	V _{GS} =10V, I _D =5.0A	--	0.75	0.9	Ω
Input Capacitance	C _{iSS}	V _{DS} =25V, V _{GS} =0V, f=1.0MHZ	--	1086	--	pF
Output Capacitance	C _{oss}		--	143	--	
Reverse Transfer Capacitance	C _{rSS}		--	12.0	--	
Turn-on Delay Time	t _{d(on)}	V _{DD} =300V, I _D =10A, R _G =25Ω (Note 2,3)	--	21.7	--	ns
Turn-on Rise Time	t _r		--	41.8	--	
Turn-off Delay Time	t _{d(off)}		--	79.4	--	
Turn-off Fall Time	t _f		--	40.9	--	
Total Gate Charge	Q _g	V _{DS} =480V, I _D =10A, V _{GS} =10V (Note 2,3)	--	28.3	--	nC
Gate-Source Charge	Q _{gs}		--	6.26	--	
Gate-Drain Charge	Q _{gd}		--	13.2	--	

SOURCE-DRAIN DIODE RATINGS AND CHARACTERISTICS

Characteristics	Symbol	Test conditions	Min.	Typ.	Max.	Unit
Continuous Source Current	I_S	Integral Reverse P-N Junction Diode in the MOSFET	--	--	10	A
Pulsed Source Current	I_{SM}		--	--	40	
Diode Forward Voltage	V_{SD}	$I_S=10A, V_{GS}=0V$	--	--	1.3	V
Reverse Recovery Time	T_{rr}	$I_S=10A, V_{GS}=0V,$	--	542	--	ns
Reverse Recovery Charge	Q_{rr}	$dI/dt=100A/\mu S$ (Note 2)	--	4.18	--	μC

Notes:

1. $L=30mH, I_{AS}=6.0A, V_{DD}=100V, R_G=25\Omega,$ starting $T_J=25^\circ C;$
2. Pulse Test: Pulse width $\leq 300\mu s,$ Duty cycle $\leq 2\%;$
3. Essentially independent of operating temperature.

TYPICAL CHARACTERISTICS

Figure 1. On-Region Characteristics

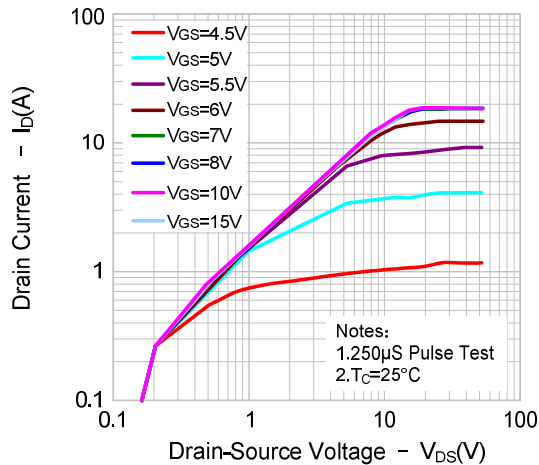


Figure 2. Transfer Characteristics

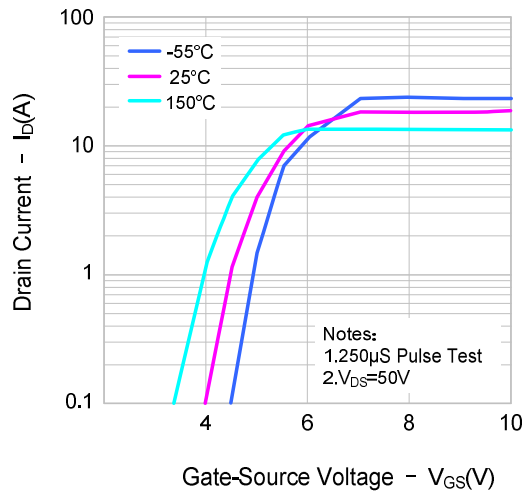


Figure 3. On-Resistance Variation vs. Drain Current and Gate Voltage

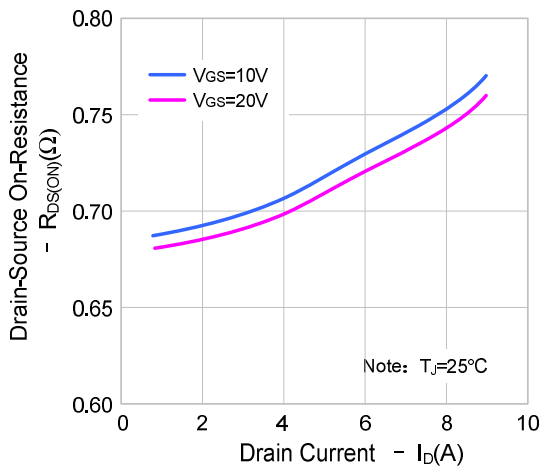
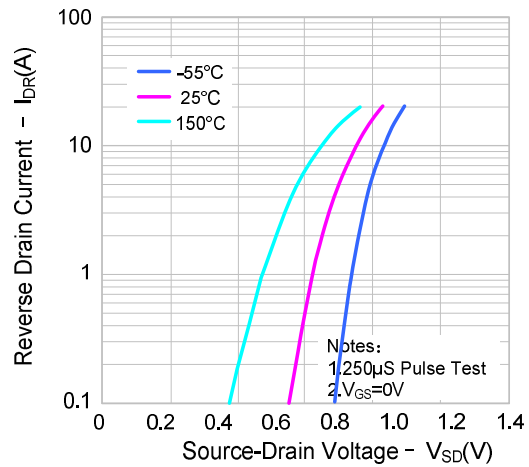
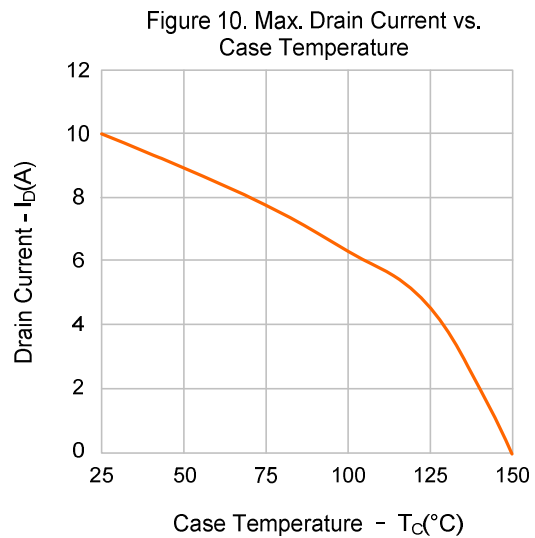
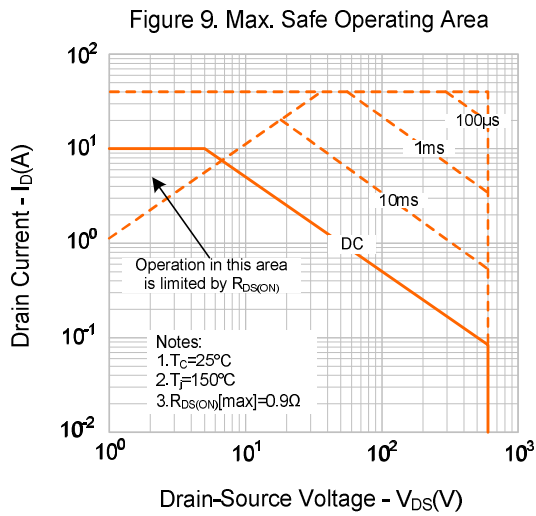
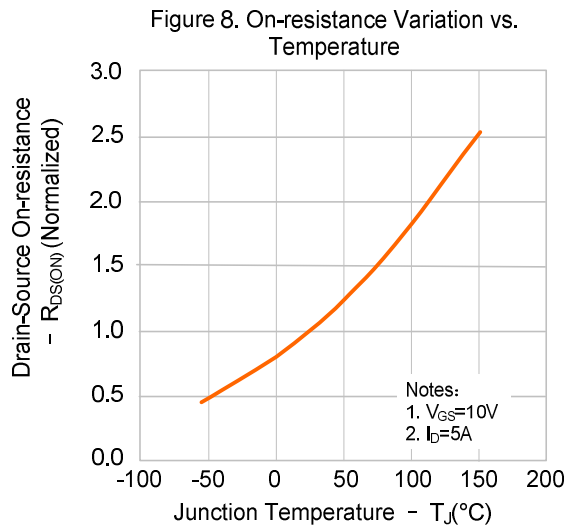
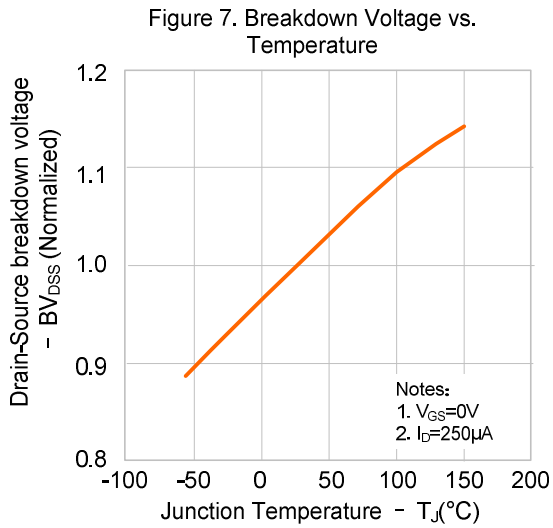
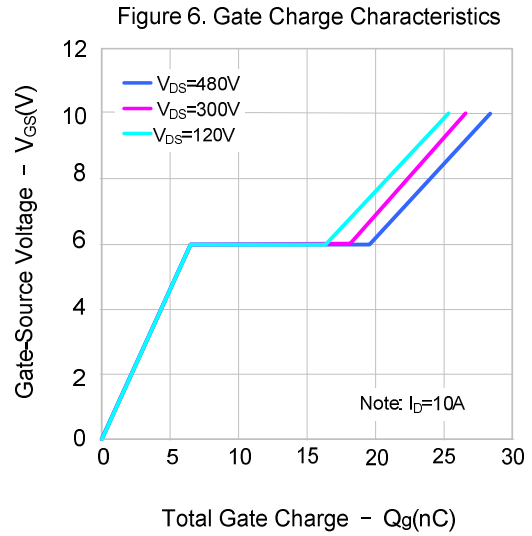
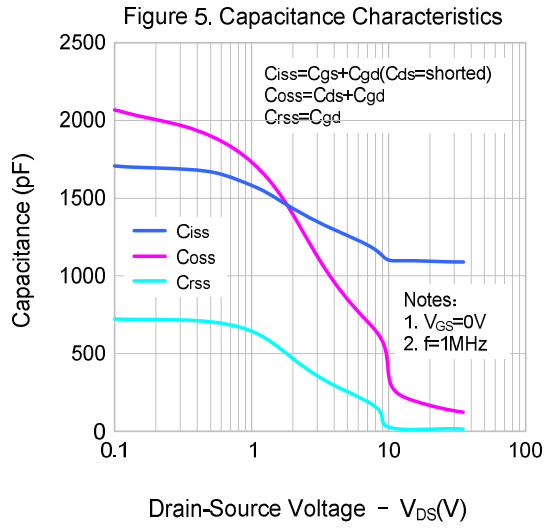


Figure 4. Body Diode Forward Voltage Variation vs. Source Current and Temperature

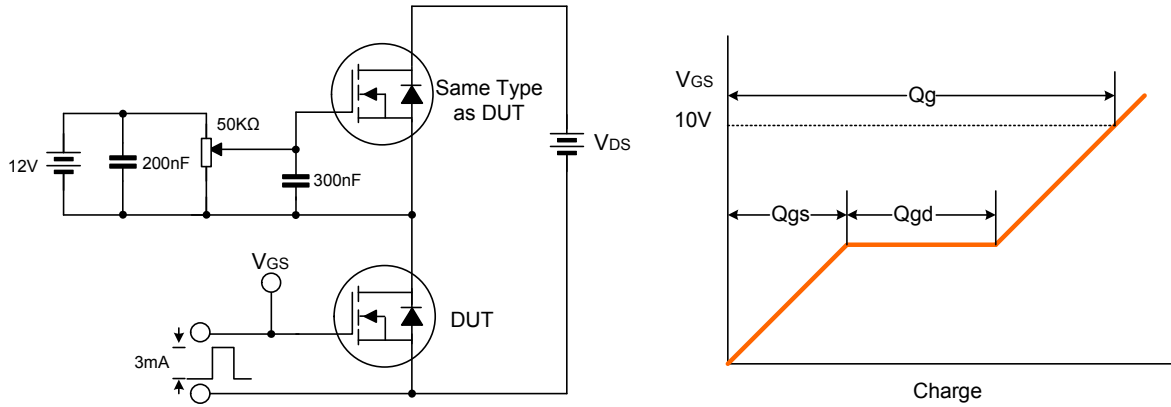


TYPICAL CHARACTERISTICS (continued)

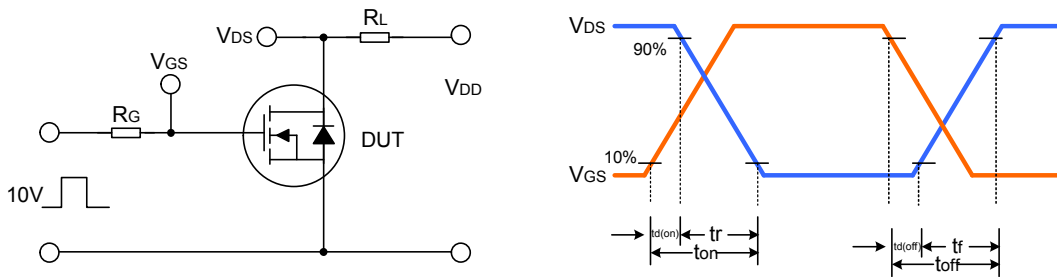


TYPICAL TEST CIRCUIT

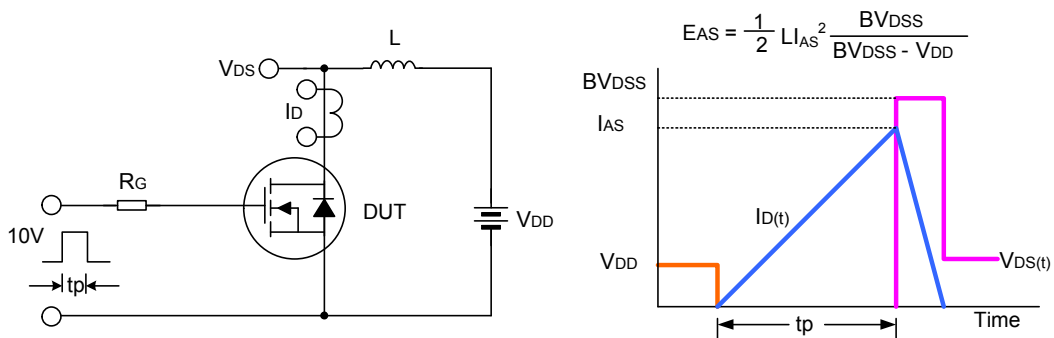
Gate Charge Test Circuit & Waveform



Resistive Switching Test Circuit & Waveform



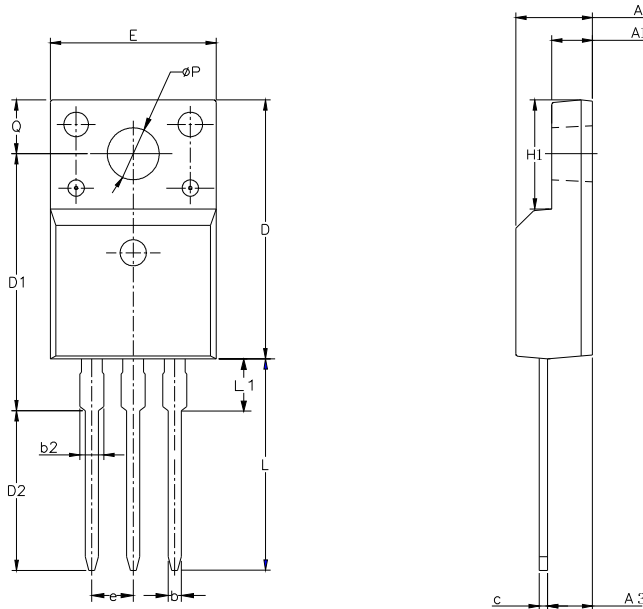
Unclamped Inductive Switching Test Circuit & Waveform



PACKAGE OUTLINE

TO-220FJ-3L

UNIT: mm



SYMBOL	MIN	NOM	MAX
A	4.42	4.70	5.02
A1	2.30	2.54	2.80
A3	2.50	2.76	3.10
b	0.55	0.70	0.85
b2	—	—	1.29
c	0.35	0.50	0.65
D	15.25	15.87	16.25
D1	13.97	14.47	14.97
D2	10.58	11.08	11.58
E	9.73	10.16	10.36
e	2.54BCS		
H1	6.40	6.68	7.00
L	12.48	12.98	13.48
L1	—	—	2.00
ϕP	3.00	3.18	3.40
Q	3.05	3.30	3.55

Disclaimer :

- Silan reserves the right to make changes to the information herein for the improvement of the design and performance without prior notice! Customers should obtain the latest relevant information before placing orders and should verify that such information is complete and current.
- All semiconductor products malfunction or fail with some probability under special conditions. When using Silan products in system design or complete machine manufacturing, it is the responsibility of the buyer to comply with the safety standards strictly and take essential measures to avoid situations in which a malfunction or failure of such Silan products could cause loss of body injury or damage to property.
- Silan will supply the best possible product for customers!

Part No.: SVF10N60CFJ Document Type: Datasheet
Copyright: HANGZHOU SILAN MICROELECTRONICS CO.,LTD Website: <http://www.silan.com.cn>

Rev.: 1.4

Revision History:

1. Update typical characteristics curves
-

Rev.: 1.3

Revision History:

1. Modify the Typical Characteristics
-

Rev.: 1.2

Revision History:

1. Modify the package information of TO-220FJ-3L
-

Rev.: 1.1

Revision History:

1. Modify the thermal characteristics
-

Rev.: 1.0

Revision History:

1. First release
-
-