

14A, 250V N-CHANNEL MOSFET

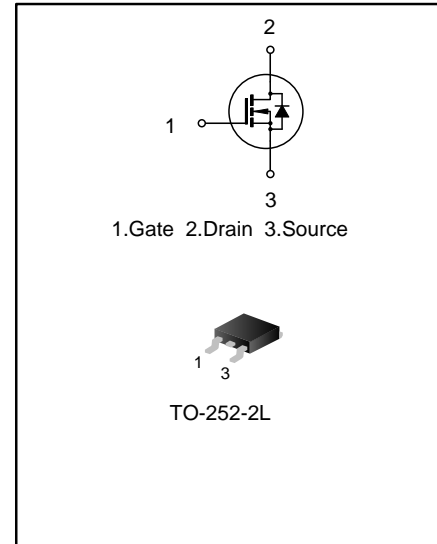
GENERAL DESCRIPTION

SVF14N25CD is an N-channel enhancement mode power MOS field effect transistor which is produced using Silan proprietary F-Cell™ high-voltage planar VDMOS technology. The improved process and cell structure have been especially tailored to minimize on-state resistance, provide superior switching performance, and withstand high energy pulse in the avalanche and commutation mode.

These devices are widely used in AC-DC power supplies, DC-DC converters and H-bridge PWM motor drivers.

FEATURES

- ◆ 14A, 250V, $R_{DS(on)(typ.)}=0.28\Omega@V_{GS}=10V$
- ◆ Ultra low gate charge
- ◆ Low C_{rss}
- ◆ Fast switching
- ◆ Improved dv/dt capability



ORDERING INFORMATION

Part No.	Package	Marking	Hazardous substance control	Packing Type
SVF14N25CDTR	TO-252-2L	14N25CD	Halogen free	Tape&Reel

ABSOLUTE MAXIMUM RATINGS ($T_A=25^\circ\text{C}$ UNLESS OTHERWISE NOTED)

Characteristics	Symbol	Ratings	Unit
Drain-Source Voltage	V_{DS}	250	V
Gate-Source Voltage	V_{GS}	± 30	V
Drain Current	I_D	$T_C=25^\circ\text{C}$	14
		$T_C=100^\circ\text{C}$	8.9
Drain Current Pulsed	I_{DM}	56	A
Power Dissipation ($T_C=25^\circ\text{C}$) -Derate above 25°C	P_D	133	W
		1.1	W/ $^\circ\text{C}$
Single Pulsed Avalanche Energy (Note 1)	E_{AS}	240	mJ
Diode dv/dt (Note 2)	dv/dt	4.5	V/ns
MOSFET dv/dt Ruggedness (Note 3)	dv/dt	50	V/ns
Operation Junction Temperature Range	T_J	$-55\sim+150$	$^\circ\text{C}$
Storage Temperature Range	T_{stg}	$-55\sim+150$	$^\circ\text{C}$

THERMAL CHARACTERISTICS

Characteristics	Symbol	Ratings	Unit
Thermal Resistance, Junction-to-Case	$R_{\theta JC}$	0.94	$^{\circ}C/W$
Thermal Resistance, Junction-to-Ambient	$R_{\theta JA}$	62.0	$^{\circ}C/W$

ELECTRICAL CHARACTERISTICS (T_J=25°C UNLESS OTHERWISE NOTED)

Characteristics	Symbol	Test conditions	Min.	Typ.	Max.	Unit
Drain -Source Breakdown Voltage	BV_{DSS}	$V_{GS}=0V, I_D=250\mu A$	250	--	--	V
Drain-Source Leakage Current	I_{DSS}	$V_{DS}=250V, V_{GS}=0V$	--	--	1.0	μA
Gate-Source Leakage Current	I_{GSS}	$V_{GS}=\pm 30V, V_{DS}=0V$	--	--	± 100	nA
Gate Threshold Voltage	$V_{GS(th)}$	$V_{GS}=V_{DS}, I_D=250\mu A$	3.0	--	4.5	V
Static Drain-Source On State Resistance	$R_{DS(on)}$	$V_{GS}=10V, I_D=7A$	--	0.22	0.28	Ω
Gate Resistance	R_g	$f=1.0MHz$	--	3.0	--	Ω
Input Capacitance	C_{iss}	$V_{DS}=25V, V_{GS}=0V, f=1.0MHz$	--	670	--	pF
Output Capacitance	C_{oss}		--	106	--	
Reverse Transfer Capacitance	C_{rss}		--	12	--	
Turn-on Delay Time	$t_{d(on)}$	$V_{DD}=125V, R_G=25\Omega, I_D=14A$ (Note 4, 5)	--	14	--	ns
Turn-on Rise Time	t_r		--	63	--	
Turn-off Delay Time	$t_{d(off)}$		--	24	--	
Turn-off Fall Time	t_f		--	27	--	
Total Gate Charge	Q_g	$V_{DS}=200V, I_D=14A, V_{GS}=10V$ (Note 4, 5)	--	17	--	nC
Gate-Source Charge	Q_{gs}		--	7.4	--	
Gate-Drain Charge	Q_{gd}		--	7.6	--	

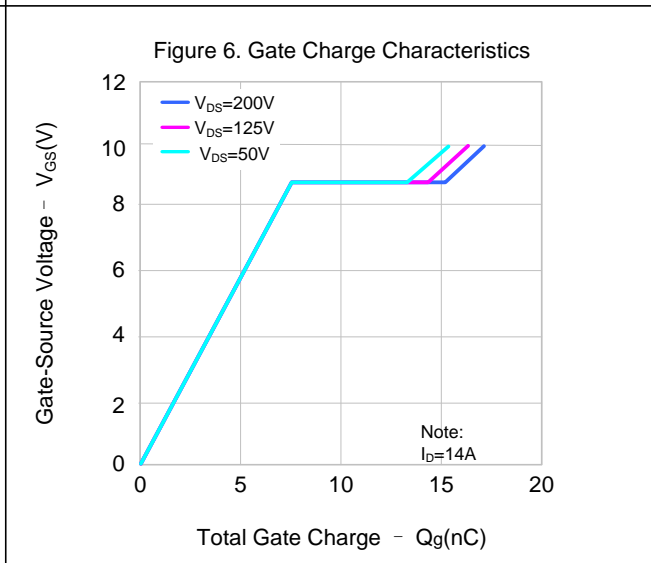
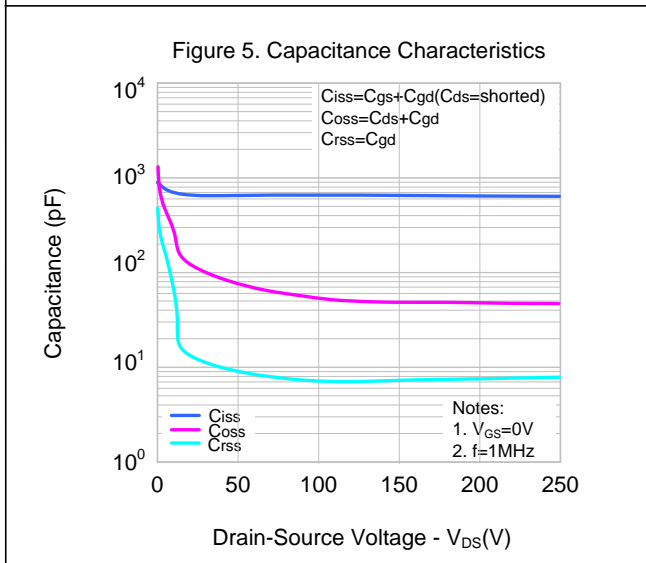
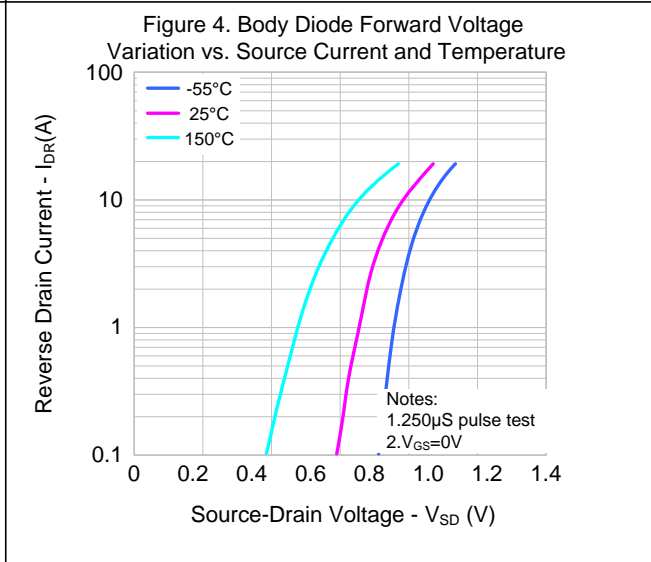
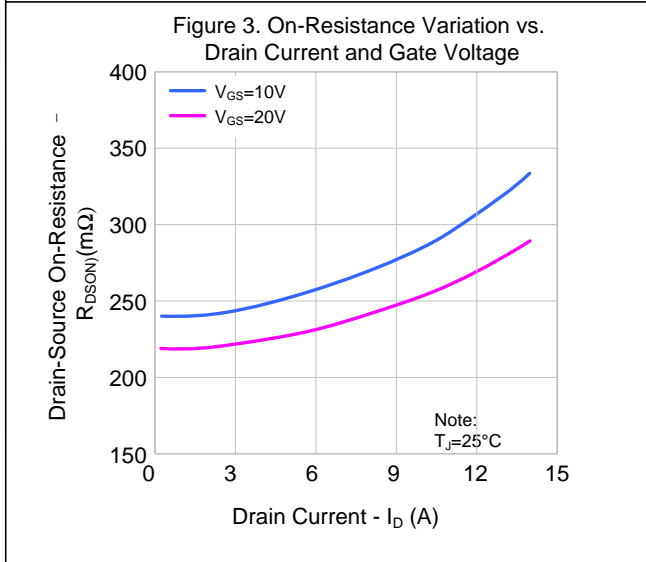
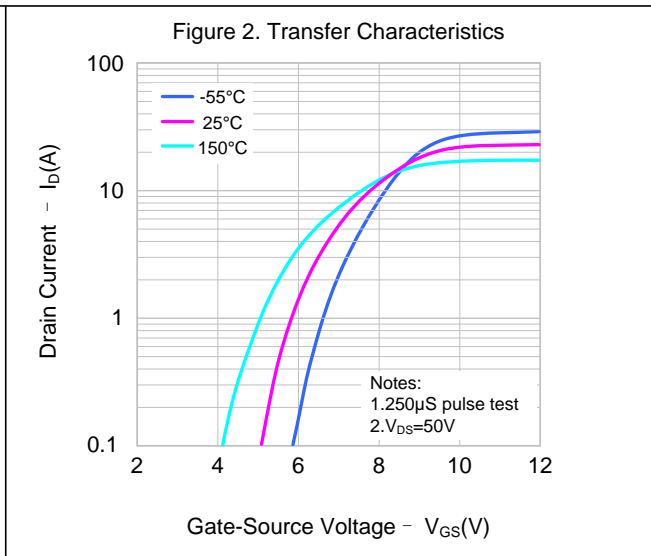
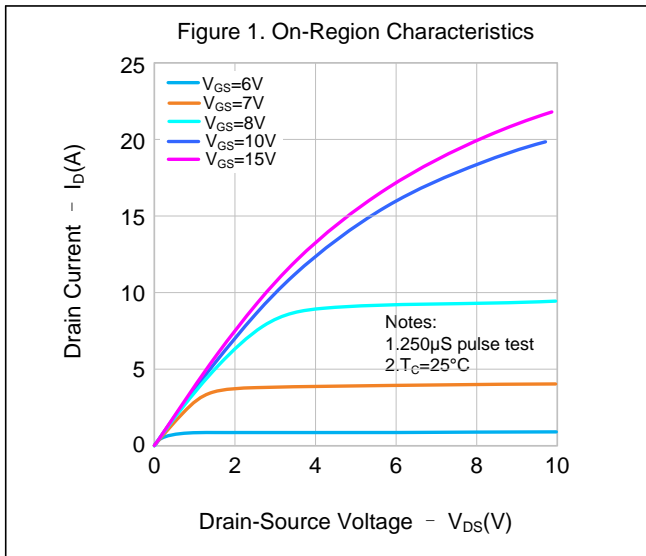
SOURCE-DRAIN DIODE RATINGS AND CHARACTERISTICS

Characteristics	Symbol	Test conditions	Min.	Typ.	Max.	Unit
Continuous Source Current	I_S	Integral Reverse P-N Junction	--	--	14	A
Pulsed Source Current	I_{SM}	Diode in the MOSFET	--	--	56	
Diode Forward Voltage	V_{SD}	$I_S=14A, V_{GS}=0V$	--	--	1.4	V
Reverse Recovery Time	T_{rr}	$I_S=14A, V_{GS}=0V,$	--	204	--	ns
Reverse Recovery Charge	Q_{rr}	$dI_F/dt=100A/\mu s$ (Note 4)	--	1.4	--	μC

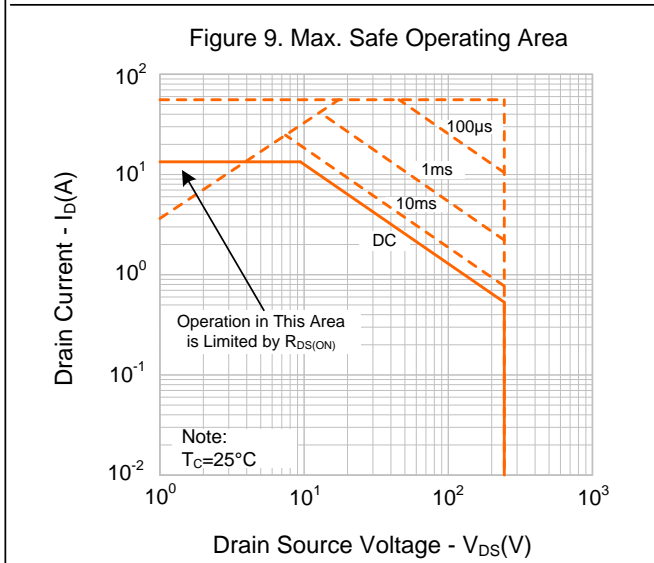
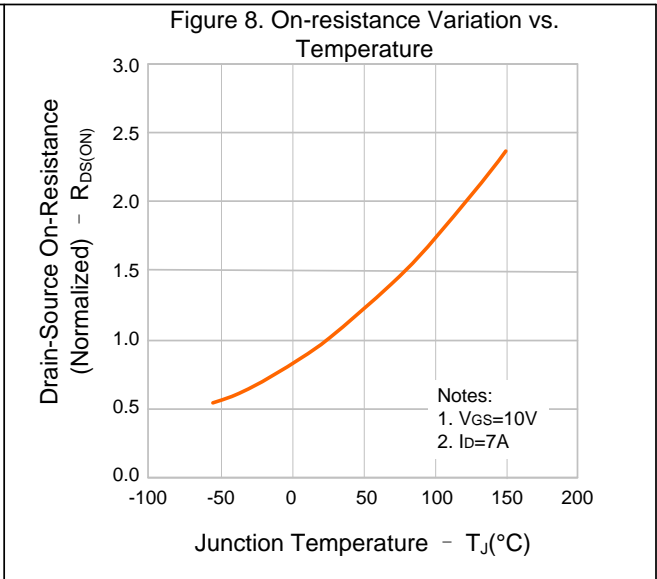
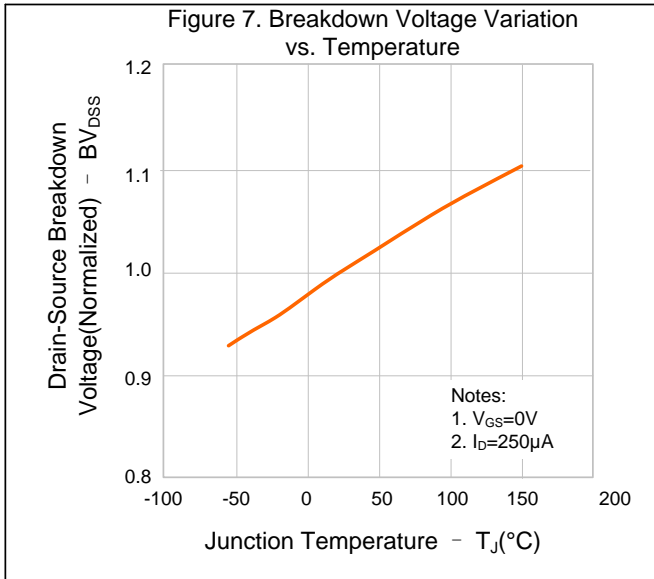
Notes:

1. $L=30mH, I_{AS}=4.0A, V_{DD}=100V, R_G=25\Omega,$ starting temperature $T_J=25^{\circ}C$;
2. $V_{DS}=0\sim 400V, I_{SD}\leq 14A, T_J=25^{\circ}C$;
3. $V_{DS}=0\sim 480V$;
4. Pulse Test: Pulse width $\leq 300\mu s,$ Duty cycle $\leq 2\%$;
5. Essentially independent of operating temperature.

TYPICAL CHARACTERISTICS

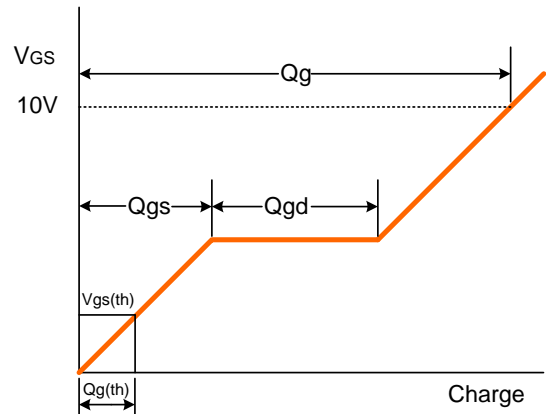
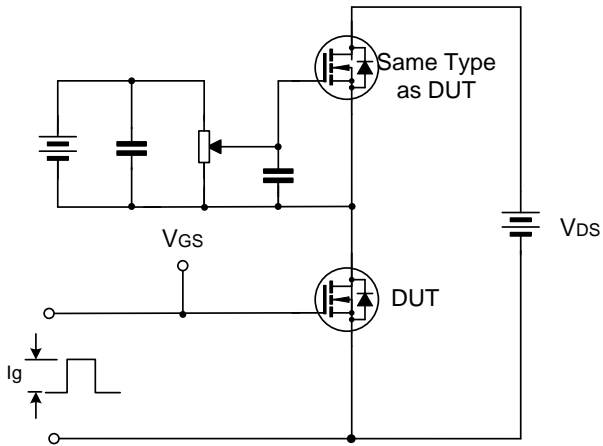


TYPICAL CHARACTERISTICS (CONTINUED)

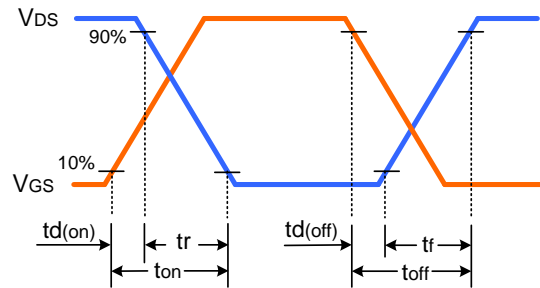
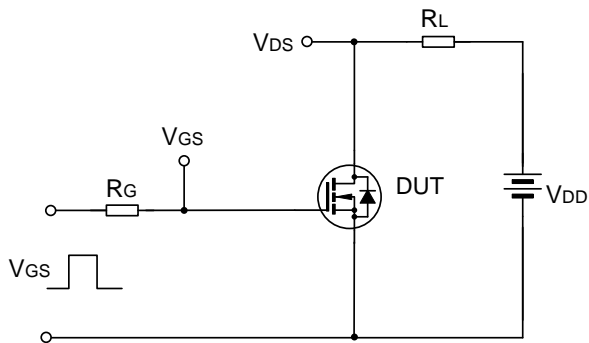


TYPICAL TEST CIRCUIT

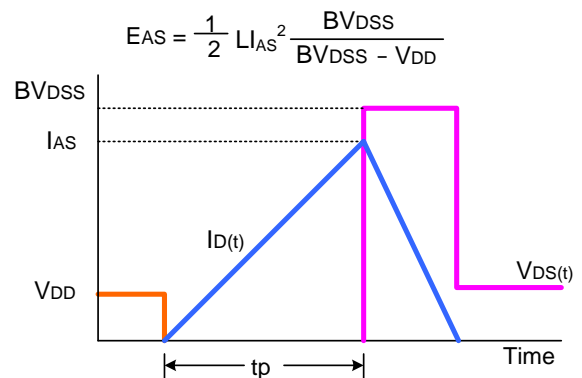
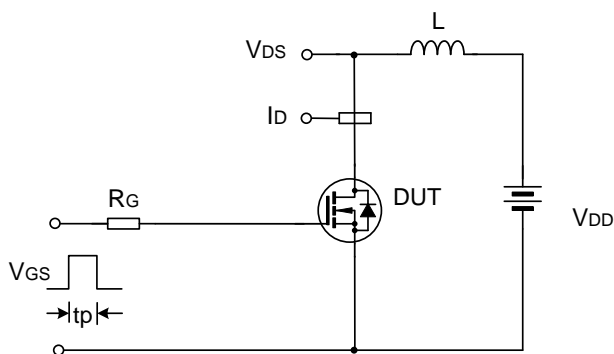
Gate Charge Test Circuit & Waveform



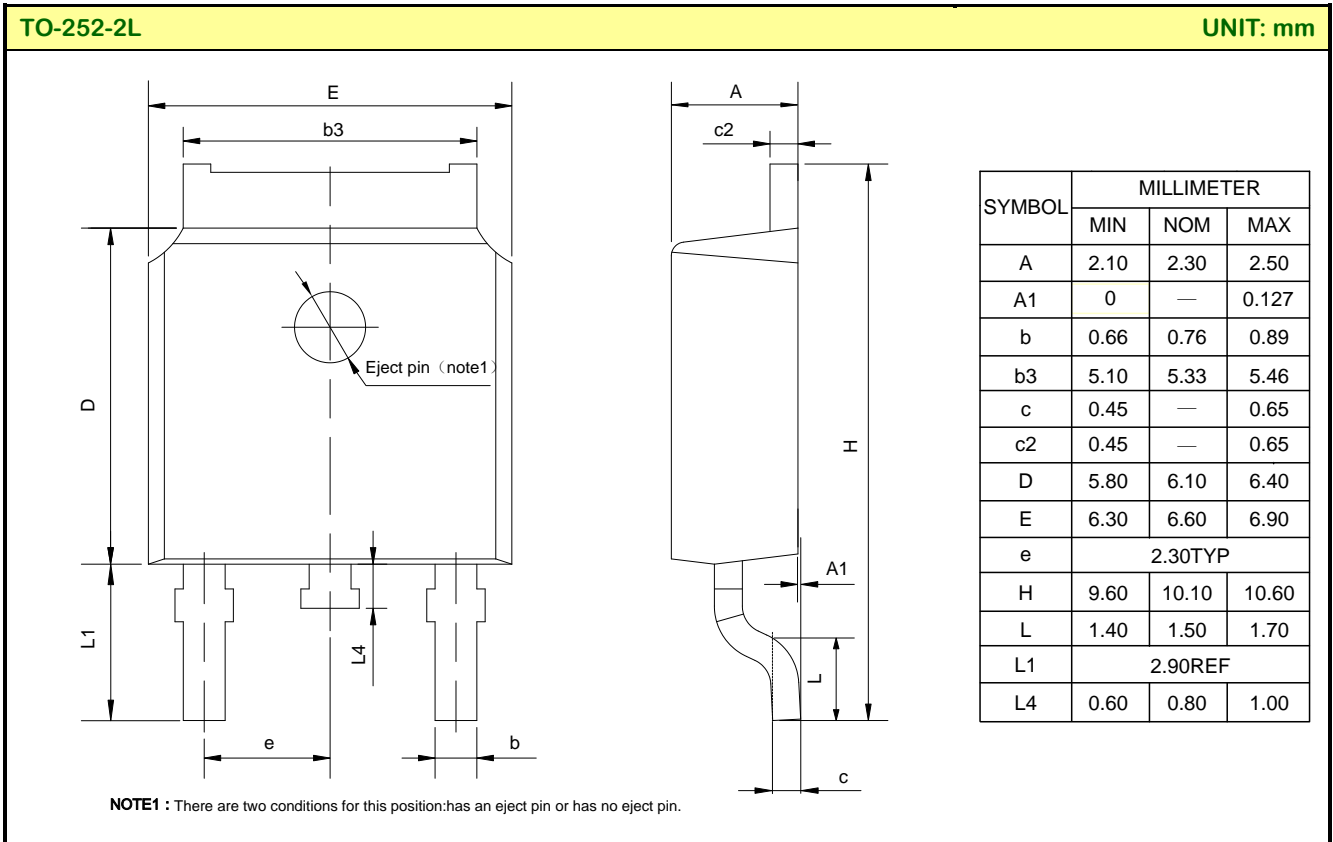
Resistive Switching Test Circuit & Waveform



Unclamped Inductive Switching Test Circuit & Waveform



PACKAGE OUTLINE



Important notice:

1. The instructions are subject to change without notice!
2. Customers should obtain the latest relevant information before placing orders and should verify that such information is complete and current. Please read the instructions carefully before using our products, including the circuit operation precautions.
3. Our products are consumer electronic products or the other civil electronic products.
4. When using our products, please do not exceed the maximum rating of the products, otherwise the reliability of the whole machine will be affected. There is a certain possibility of failure or malfunction of any semiconductor product under specific conditions. The buyer is responsible for complying with safety standards and taking safety measures when using our products for system design, sample and whole machine manufacturing, so as to avoid potential failure risk that may cause personal injury or property loss.
5. It is strongly recommended to identify the trademark when buying our products. Please contact us if there is any question.
6. Product promotion is endless, our company will wholeheartedly provide customers with better products!
7. Website: <http://www.silan.com.cn>

Part No.: SVF14N25CD Document Type: Datasheet
Copyright: HANGZHOU SILAN MICROELECTRONICS CO.,LTD Website: <http://www.silan.com.cn>

Rev.: 1.0

Revision History:

1. First release
-