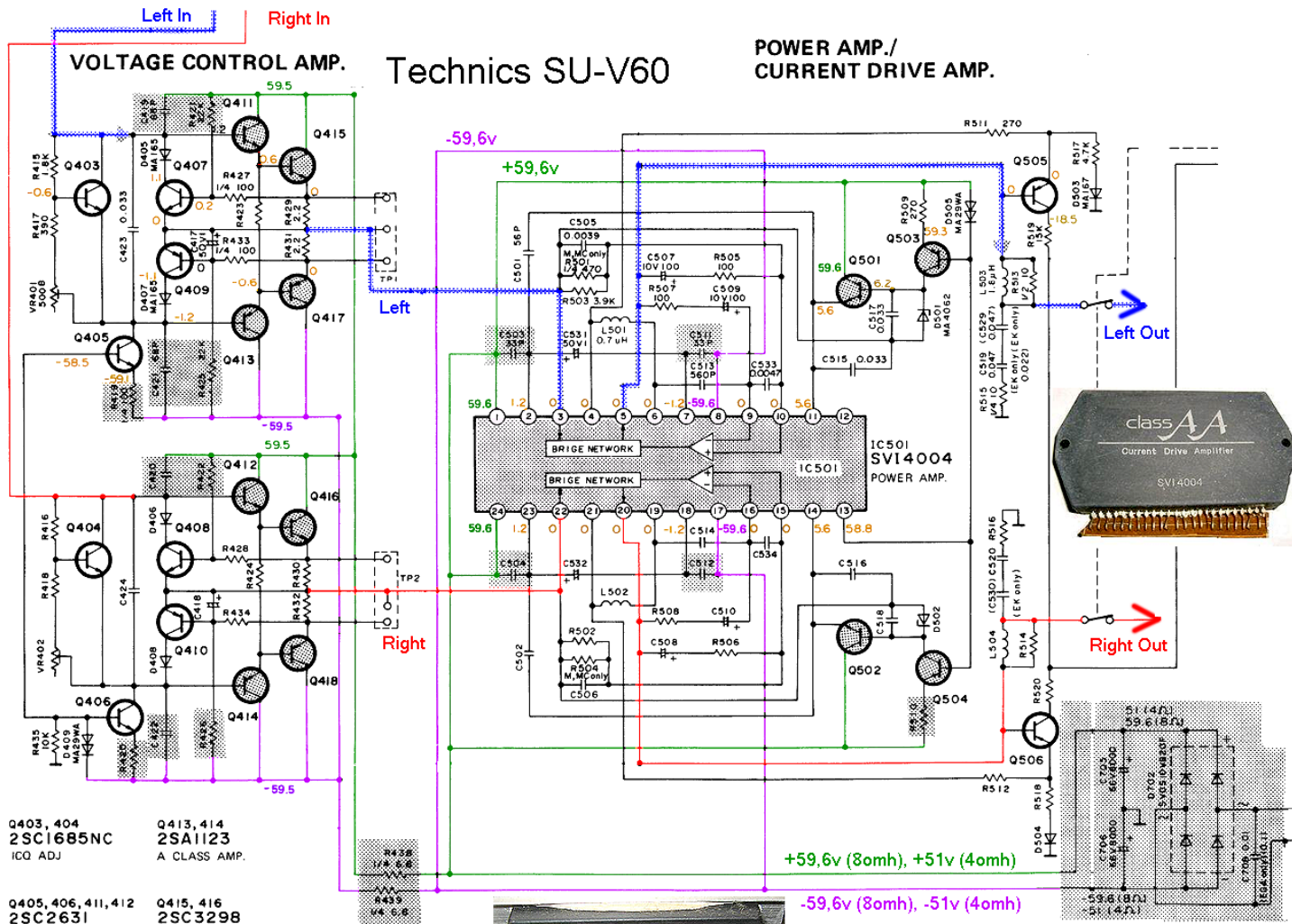


Technics SU-V60

POWER AMP./ CURRENT DRIVE AMP.

VOLTAGE CONTROL AMP.



Q403, 404
2SC1685NC
ICO ADJ

Q413, 414
2SA1123
A CLASS AMP.

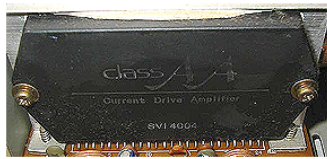
Q405, 406, 411, 412
2SC2631
A CLASS AMP.

Q415, 416
2SC3298
A CLASS AMP.

Q407, 408
2SC3311AR
LIMITER

Q409, 410
2SA1309AR
LIMITER

Q417, 418
2SA13060 or 2SA1535
A CLASS AMP.



+59.6v (80mh), +51v (40mh)

-59.6v (80mh), -51v (40mh)

Q501, 502
2SC2631
CURRENT STABI.

Q503, 504
2SA1123
CURRENT STABI.

Q505, 506
2SA992
OVERLOAD DET.

