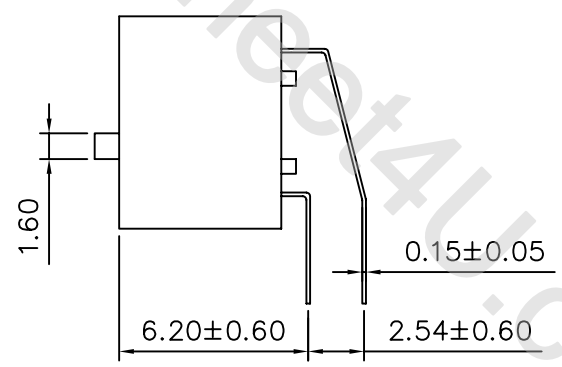
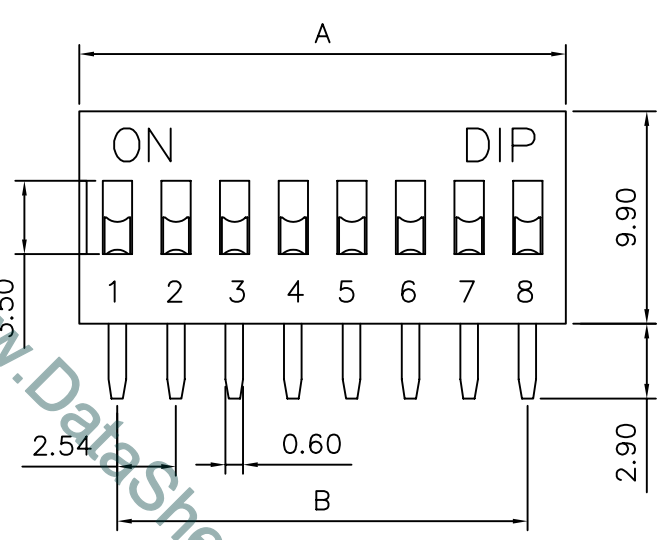
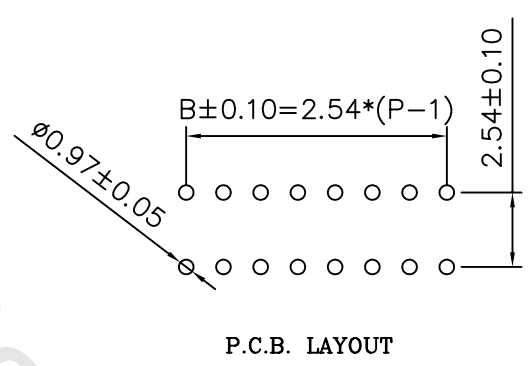
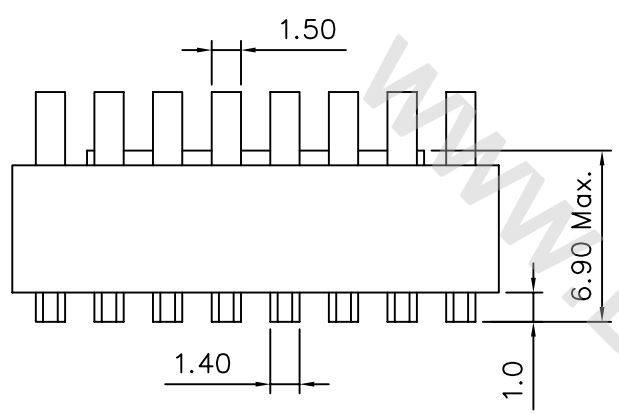
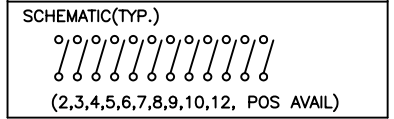


NOTE: 1. ALL DIMENSIONS ARE IN MILLIMETERS.  
BRACKETED DIMENSIONS ARE IN INCHES.  
2. GENERAL TOLERANCES: 10mm OVER-±0.20mm  
10mm BELOW-±0.10mm



No. of Pos.	A	B
02	6.44	2.54
03	8.98	5.08
04	11.52	7.62
05	14.06	10.16
06	16.60	12.70
07	19.14	15.24
08	21.68	17.78
09	24.22	20.32
10	26.76	22.86
12	31.84	27.94



**AUK** A NUMBER OF AUK GROUP  
太聯事業股份有限公司  
AUK CONTRACTORS CO., LTD.

DRAWING No.		APPROVED BY		UNLESS OTHERWISE SPECIFIED TOLERANCES ARE .X ±0.38 .XX ±0.25 ANG.
SW05SR-RD		MEI		
		CHECKED BY LHC		
		DRAWING BY HZF		
SCALE	NONE	REV.	A	UNIT mm

AREA	REVISIONS	CHK	DATE