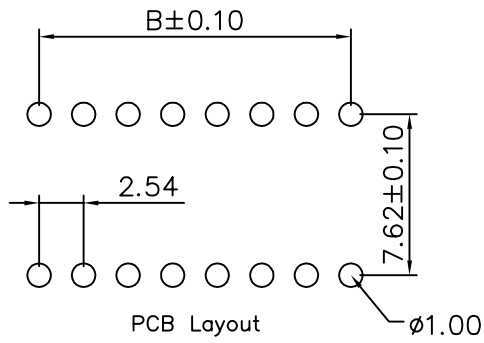
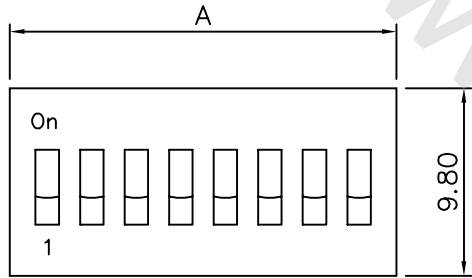
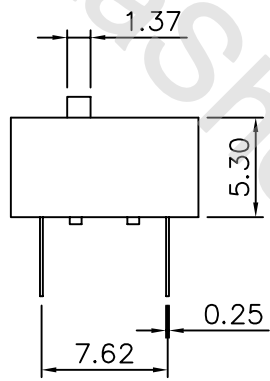
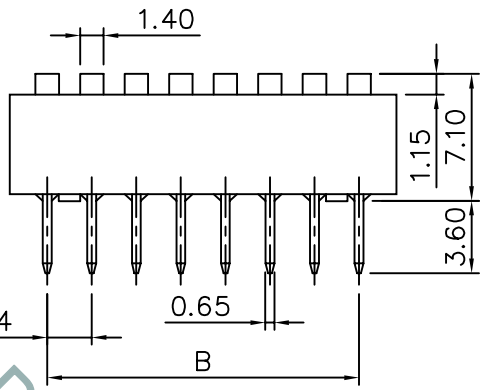


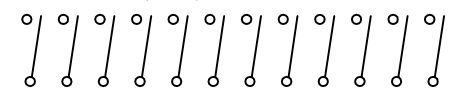
www.DataSheet4U.com



Poles	A	B
1	4.00	
2	6.60	2.54
3	9.14	5.08
4	11.68	7.62
5	14.22	10.16
6	16.76	12.70
7	19.30	15.24
8	21.80	17.78
9	24.38	20.32
10	26.92	22.86
12	32.00	27.94



Schematic(TYP.)



AUK A NUMBER OF AUK GROUP
太聯事業股份有限公司
 AUK CONTRACTORS CO., LTD.

DRAWING No.
 SW05S

APPROVED BY
 MEI
 CHECKED BY
 RAN
 DRAWING BY
 HZF

UNLESS OTHERWISE SPECIFIED TOLERANCES ARE
 .X ±0.51
 .XX ±0.25
 .XXX

SCALE NONE REV. A UNIT mm

AREA	REVISIONS	CHK	DATE