

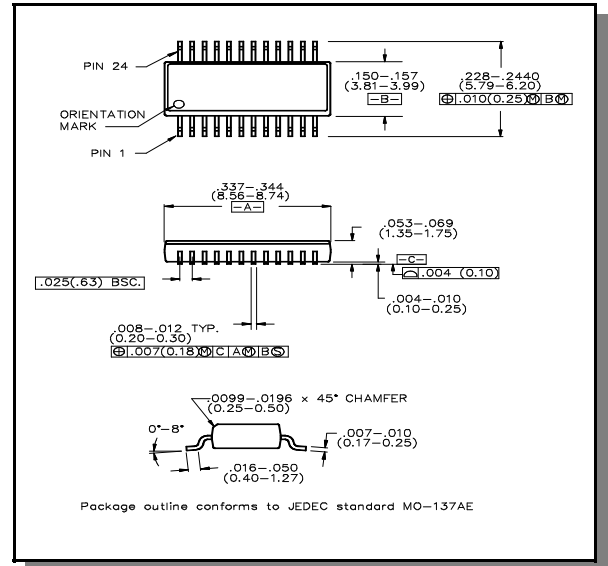
## Features

- Typical Isolation: 35 dB (2.0 GHz)
- Typical Insertion Loss: 1.2 dB (2.0 GHz)
- Integral ASIC/CMOS Driver
- 50 Ohm Nominal Impedance
- Low DC Power Consumption
- Test Boards Available

## Description

M/A-COM's SW65-0440 is a GaAs MMIC absorptive SP4T switch with an integral silicon ASIC driver. This device is in a 24-lead plastic package. This switch offers excellent broadband performance and repeatability from DC to 3 GHz, while maintaining low DC power dissipation. The SW65-0440 is ideally suited for wireless infrastructure applications.

## QSOP-24



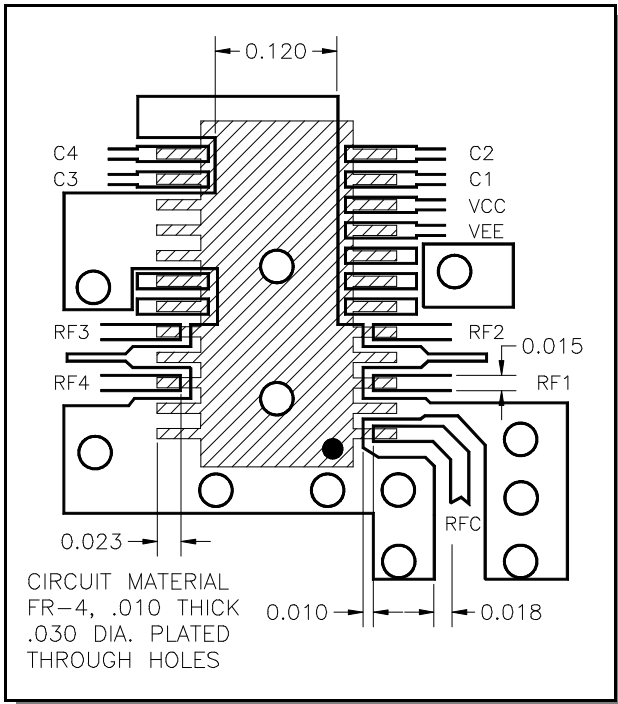
## Electrical Specifications: $T_A = 25^\circ\text{C}$

Parameter	Test Conditions	Units	Min.	Typ.	Max.
Insertion Loss	DC - 2.0 GHz	dB	—	1.2	1.8
	DC - 3.0 GHz	dB	—	1.3	2.5
Isolation (All arms off)	DC - 2.0 GHz	dB	32	35	—
	DC - 3.0 GHz	dB	25	29	—
VSWR	RF1-RF4 On	Ratio	—	1.2:1	1.6:1
	RF1- RF4 Off	Ratio	—	1.4:1	1.8:1
	RFC	Ratio	—	1.2:1	1.5:1
	RFC	Ratio	—	1.6:1	2.2:1
Switching Speed <sup>1</sup>	$T_{rise}$ $T_{fall}$	nS	-	15	50
	$T_{on}$ $T_{off}$	nS	-	50	150
	Transients	mV	-	50	150
1 dB Compression	.05 GHz	dBm	-	+20	-
	.5 - 3.0 GHz	dBm	-	+27	-
Input $IP_3$	Two tone inputs 0.05 GHz	dBm	-	+35	-
	up to +5 dBm 0.5 - 3.0 GHz	dBm	-	+46	-
$V_{CC}$	-	V	+4.5	+5.0	+5.5
$V_{EE}$	-	V	-8.0	-5.0	-4.75
$I_{CC}$	$V_{CC} = +5.0V$	mA	-	-	4
$I_{EE}$	$V_{EE} = -5.0V$	mA	-	-	-1
Logic "0"	$I_{in} = 20\mu A$ max	V	0.0	-	0.8
Logic "1"	$I_{in} = 20\mu A$ max	V	2.0	-	5.0

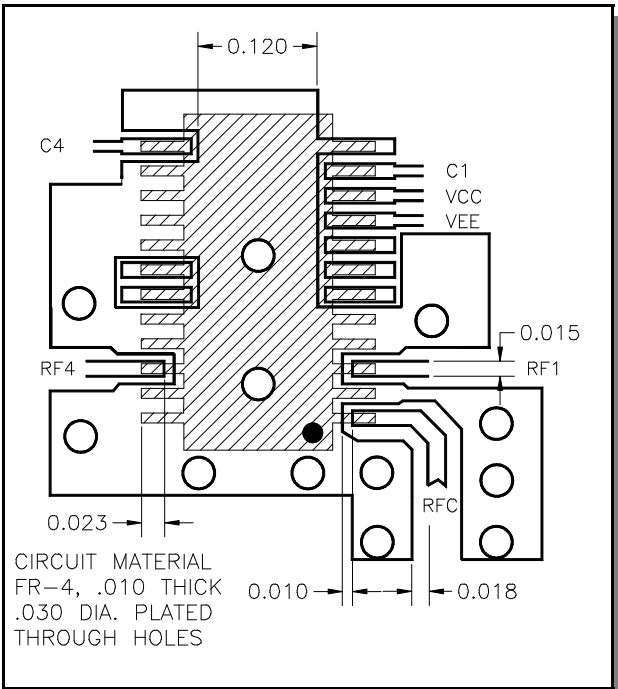
1. Decoupling capacitors (.01  $\mu F$ ) are required on the power supply lines.

www.DataSheet4U.com

Recommended PCB Layout—SP4T



Recommended PCB Layout—SP2T



Pin Configuration

Pin No.	Function	Pin No.	Function
1	RFC	13	C4
2	GND	14	C3
3	RF1	15	GND
4	GND	16	GND
5	RF2	17	GND
6	N/C	18	N/C
7	N/C	19	N/C
8	N/C	20	RF3
9	V <sub>EE</sub>	21	GND
10	V <sub>CC</sub>	22	RF4
11	C1	23	GND
12	C2	24	GND

N/C = No Connection

Absolute Maximum Ratings<sup>2,3</sup>

Parameter	Absolute Maximum
Max. Input Power 0.05 GHz 0.5 - 4.0 GHz	+27 dBm +34 dBm
Bias Voltages V <sub>EE</sub> V <sub>CC</sub> Control Voltage <sup>4</sup>	-8.5V +5.5V -0.5V to V <sub>CC</sub> +0.5V
Storage Temperature	-65°C to +125°C
Operating Temperature	-40°C to +85°C

2. Operation of this device above any one of these parameters may cause permanent damage.
3. When the RF input is applied to the terminated port, the absolute maximum power is +30 dBm.
4. Standard CMOS TTL interface, latch-up will occur if logic signal is applied prior to power supply.

Truth Table

TTL				RF Common To:			
C1	C2	C3	C4	RF1	RF2	RF3	RF4
1	0	0	0	On	Off	Off	Off
0	1	0	0	Off	On	Off	Off
0	0	1	0	Off	Off	On	Off
0	0	0	1	Off	Off	Off	On

Specifications subject to change without notice.

- North America: Tel. (800) 366-2266
- Asia/Pacific: Tel.+81-44-844-8296, Fax +81-44-844-8298
- Europe: Tel. +44 (1344) 869 595, Fax+44 (1344) 300 020

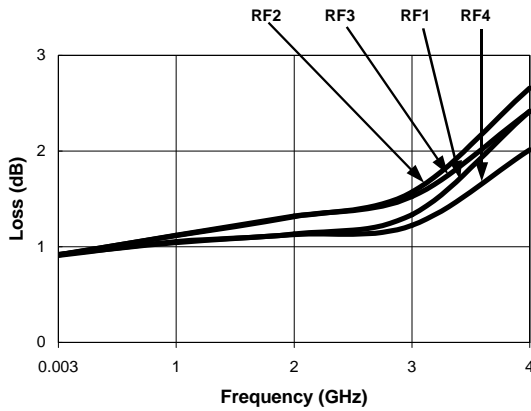
Visit [www.macom.com](http://www.macom.com) for additional data sheets and product information.



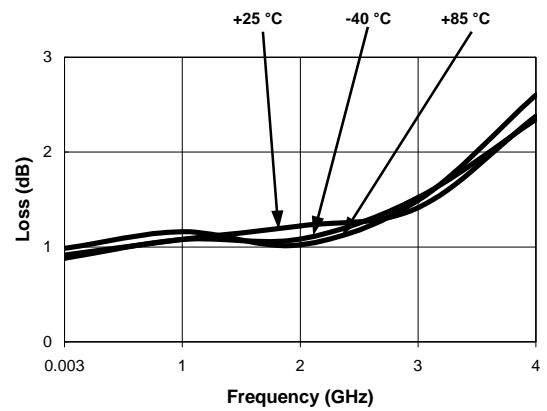
www.DataSheet4U.com

Typical Performance Curves

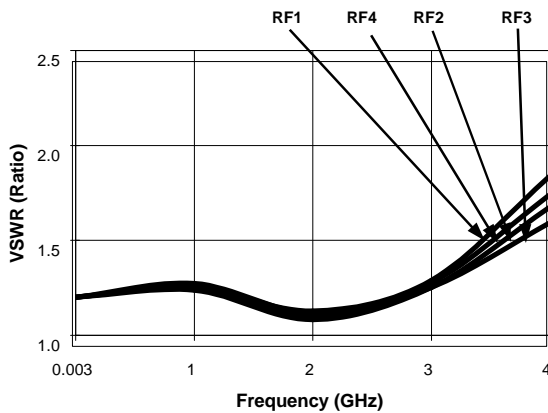
Insertion Loss (dB) @ +25°C



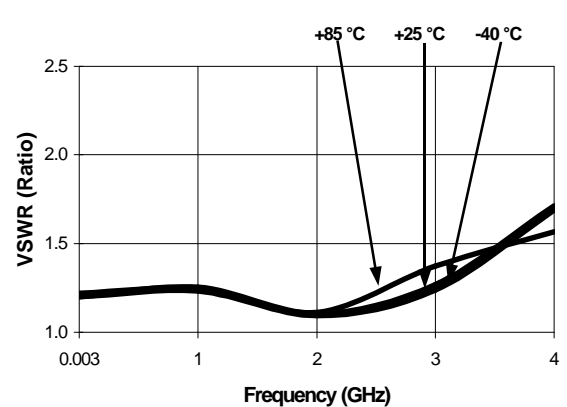
Loss Variation Over Temp. (dB)



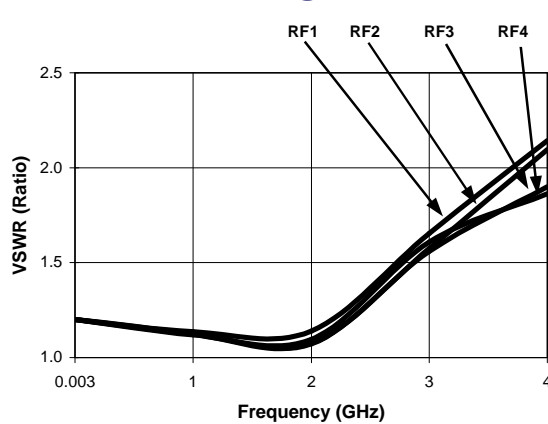
RF1 - RF4 On VSWR @ +25°C



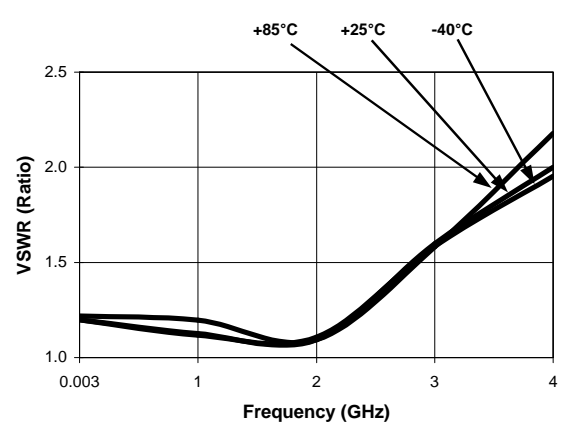
RF1 - RF4 On VSWR Temp. Variation



RFC On VSWR @ +25°C



RFC On VSWR Temp. Variation



Specifications subject to change without notice.

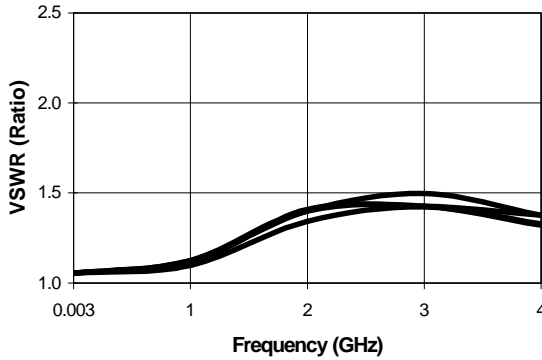
- North America: Tel. (800) 366-2266
- Asia/Pacific: Tel.+81-44-844-8296, Fax +81-44-844-8298
- Europe: Tel. +44 (1344) 869 595, Fax+44 (1344) 300 020

Visit [www.macom.com](http://www.macom.com) for additional data sheets and product information.

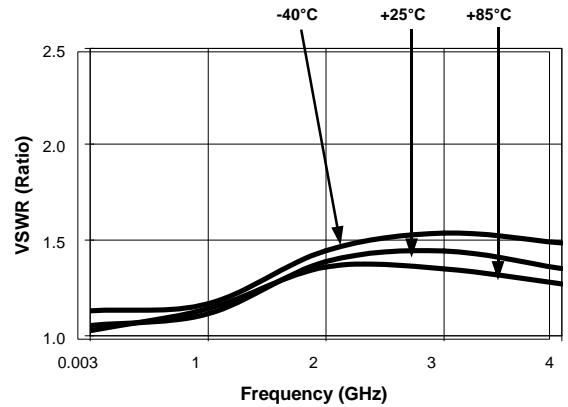


Typical Performance Curves

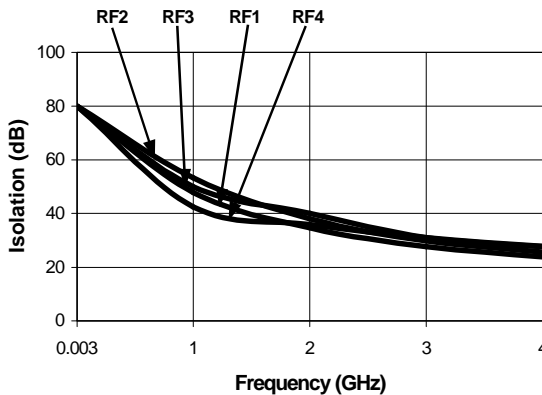
RF1 - RF4 Off VSWR @ +25°C



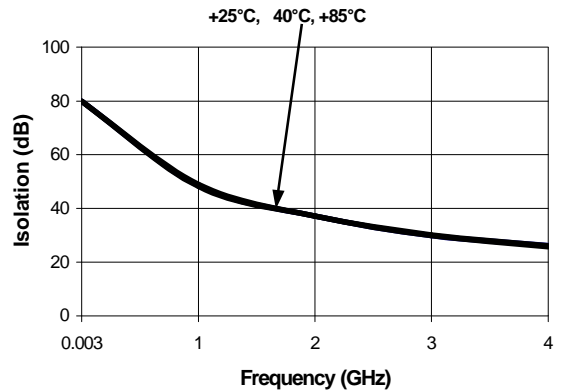
RF1 - RF4 Off VSWR Temp. Variation



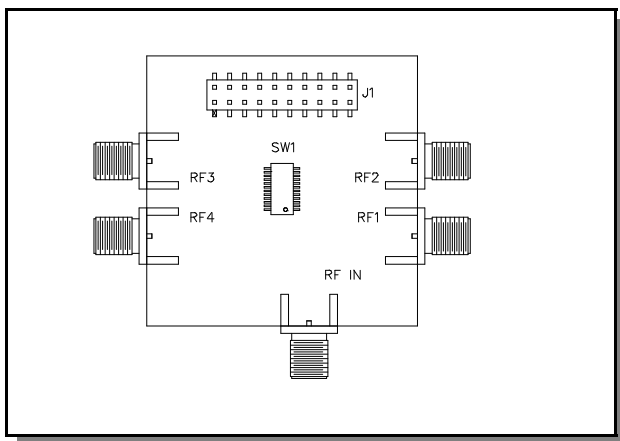
Isolation (dB) @ +25°C



Isolation Temp. Variation (dB)



Evaluation Board  
P/N SW65-0440-TB



Ordering Information

Part Number	Package
SW65-0440	Bulk Packaging
SW65-0440TR	Tape and Reel (1K Reel)
SW65-0440-TB	Unit Mounted on Test Board

Specifications subject to change without notice.

- North America: Tel. (800) 366-2266
- Asia/Pacific: Tel.+81-44-844-8296, Fax +81-44-844-8298
- Europe: Tel. +44 (1344) 869 595, Fax+44 (1344) 300 020

Visit [www.macom.com](http://www.macom.com) for additional data sheets and product information.

