

CRYSTAL UNIT

SX-3225



Applications

- OA / AV Machine / Bluetooth / Wireless LAN

Features

- Ultra thin / Dimensions (3.2×2.5×0.8)
- Ceramic SMD Package
- Vacuum Seam Sealed
- Tight Tolerance and Stability
- Reflow Soldering / Emboss Taping
- Compliant products with AEC-Q200

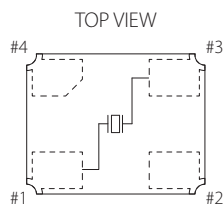
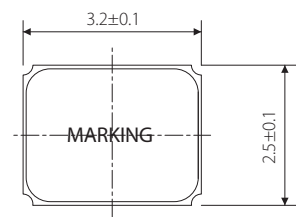
Specifications



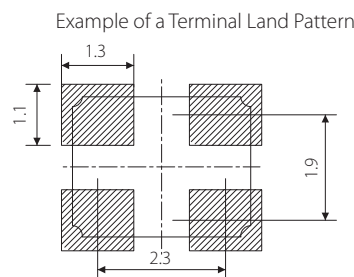
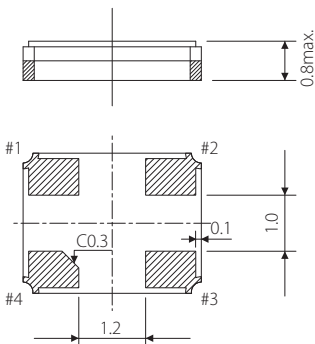
Model	SX-3225	
Nominal frequency range	10.000~54.000 MHz	54.000~125.000 MHz
Crystal cut	Fundamental [AT-cut]	3rd overtone[AT-cut]
Storage temperature range	-40~+90°C; -40~+125°C (For AEC-Q200)	
Operating temperature range	-10~+60°C	-30~+85°C
Frequency temperature characteristics (Ref. to +25°C)	$\pm 10 \times 10^{-6}$	$\pm 15 \times 10^{-6}$
Frequency tolerance (at +25°C)	$\pm 10 \times 10^{-6}$	
Equivalent series resistance	100Ω: 10.000~15.999 MHz 80Ω: 16.000~18.999 MHz 60Ω: 19.000~29.999 MHz 40Ω: 30.000~54.000 MHz	100Ω: 54.000~125 MHz
Load capacitance	series, 10pF, 12pF, 16pF	
Shunt capacitance	5pF max.	
Level of drive	10 μW (100 μW max.)	

Package quantity: 3,000pcs max./Reel.
The product is suitable for Car multimedia, Car accessory application.

Outline and Dimensions [unit:mm]



• #1,#3 : Crystal terminal / #2,#4 : Connected to cover
(Please connect it with GND.)



Maximum marking length		Marking
line1	line2	
4	4	Laser
ex.)		24 . 5 S G A