

HITACHI

KAOHSIUNG HITACHI
ELECTRONICS CO.,LTD
P.O. BOX 26-27
2,13TH EAST ST. K.E.P.Z.
KAOHSIUNG TAIWAN R.O.C.
TEL:(07) 8211101(10 LINE)
FAX:(07) 821-5860

FOR MESSRS : _____

DATE : June.18.2001

CUSTOMER'S ACCEPTANCE SPECIFICATIONS

SX16H005

CONTENTS

No.	ITEM	SHEET No.	PAGE
1	COVER	7B64PS 2701-SX16H005-2	1-1/1
2	RECORD OF REVISION	7B64PS 2702-SX16H005-2	2-1/1
3	GENERAL DATA	7B64PS 2703-SX16H005-2	3-1/1
4	ABSOLUTE MAXIMUM RATINGS	7B64PS 2704-SX16H005-2	4-1/2~4-2/2
5	ELECTRICAL CHARACTERISTICS	7B64PS 2705-SX16H005-2	5-1/2~5-2/2
6	OPTICAL CHARACTERISTICS	7B64PS 2706-SX16H005-2	6-1/3~6-3/3
7	BLOCK DIAGRAM	7B64PS 2707-SX16H005-2	7-1/1
8	INTERFACE TIMING CHART	7B64PS 2708-SX16H005-2	8-1/6~8-6/6
9	DIMENSIONAL OUTLINE	7B64PS 2709-SX16H005-2	9-1/1
10	APPEARANCE STANDARD	7B64PS 2710-SX16H005-2	10-1/4~10-4/4
11	PRECAUTION IN DESIGN	7B64PS 2711-SX16H005-2	11-1/3~11-3/3
12	DESIGNATION OF LOT MARK	7B64PS 2712-SX16H005-2	12-1/2~12-2/2
13	PRECAUTION FOR USE	7B64PS 2713-SX16H005-2	13-1/1

*WHEN PRODUCT WILL BE DISCONTINUED, CUSTOMER WILL BE INFORMED
BY HITACHI WITH TWELVE MONTHS PRIOR ANNOUNCEMENT.

ACCEPTED BY: _____

PROPOSED BY: M.C. Chen

RECORD OF REVISION

DATE	SHEET No.	SUMMARY
Jun.18.2001	7B64PS2703-SX16H005-2 PAGE 3-1/1	3. GENERAL DATA Changed (10) Weight 110g typ → 100g typ
	7B64PS2705-SX16H005-2 PAGE 5-1/2	5.1 ELECTRICAL CHARACTERISTICS OF LCD Changed Power Supply Current TYP. (40) → TYP.(46)
	7B64PS2712-SX16H005-2 PAGE 12-2/2	12.2 REVISION Added Rev. A and B
		12.3 LOCATION OF LOT MARK Added label issue

3.MECHANICALDATA

(1) Part Name	SX16H005
(2) Module Size	173.0(W)mmx70.0(H)mmx7.0max.(D)mm
(3) Dot Pitch	0.0775(W)mmx0.224(H)mm
(4) Number of Dots	640x3(R,G,B)(W)x240(H) dots
(5) Duty	1/242
(6) LCD	Color Transmissive type
(7) Viewing Direction	6 O'clock
(8) Backlight	Cold Cathode Fluorescent Lamp (CFL)x1
(9) Power Consumption(Total)	(1.2W) Except inverter
(10) Weight	100g typ
(11) Brightness	70cd/ m ² typ
(12) Power Supply Voltage	3.3V only

4. ABSOLUTE MAXIMUM RATINGS

4.1 ELECTRICAL ABSOLUTE MAXIMUM RATINGS(LCM)

VSS=0V:Standard

ITEM	SYMBOL	MIN.	MAX.	UNIT	COMMENT
Power Supply for Logic	VDD-VSS	0	6.0	V	
Contrast Adjustment Voltage	VCON-VSS	0	VDD	V	
Input Voltage	Vi	-0.3	VDD+0.3	V	Note 1
Input Current	li	0	1	A	
Static Electricity	-	-	-	-	Note 2

Note (1): $\overline{\text{DISP}} \bullet \text{OFF}$,FLM,CL1,CL2,D0~D7.

Note (2):Make certain you are grounded when handling LCM.

4.2 ENVIRONMENTAL ABSOLUTE MAXIMUM RATINGS

I T E M	OPERATING		STORAGE		COMMENT
	MIN.	MAX.	MIN.	MAX.	
Ambient temperature	5°C	40°C	-20°C	60°C	NOTE 2,3,4
Humidity	Note 1		Note 1		Without condensation
Vibration	-	2.45m/s ²	-	11.76m/s ² Note 5	1 h max . Note 6
Shock	-	29.4m/s ²	-	490m/s ² Note 5	XYZ directions 11ms Note 6
Corrosive Gas	Not acceptable		Not acceptable		

NOTE (1) Ta ≤ 40°C :85%RH max.

Ta > 40°C :Absolute humidity must be lower than the humidity of 85%RH at 40°C.

Note (2) Ta at -20°C-----< 48h , at 60°C-----< 168h.

Note (3) Background color changes slightly depending on ambient temperature
This phenomenon is reversible.

Note (4) This LCM will be operated less than 5°C.

The life time of CFL will reduced need to make sure of value IL and characteristics of inverter, also the response time less than 5°C will be slower.

Note (5) This module should be operated normally after finish the test.

Note (6) The module do not have mounting hole.

It should be fixed by the way of sandwiching-like method. (Fig.1)

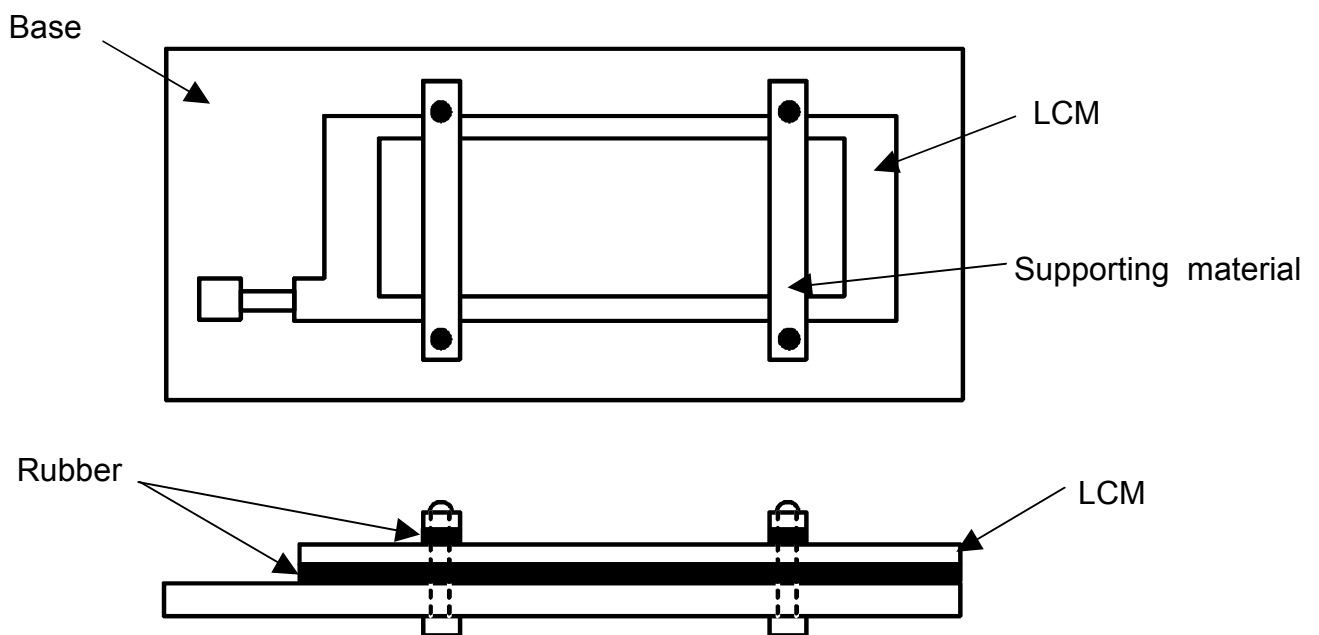


Fig.1

5. ELECTRICAL CHARACTERISTICS

5.1 ELECTRICAL CHARACTERISTICS OF LCD

I T E M	SYMBOL	CONDITION	MIN.	TYP.	MAX.	UNIT
Power Supply Voltage	VDD	VDD-VSS=3.3V	3.15	3.30	3.45	V
Contrast Adjustment Voltage (Note 1)	VCON	-	0.8	-	2.8	V
Input Voltage for Logic Circuits (Note 2)	Vi	"H" level	0.8VDD	-	VDD	V
		"L" level	0	-	0.2VDD	
Power Supply Current (Note 4)	IDD	VDD-VSS=3.3V	-	(46)	-	mA
Input Leak Current	I _{con} (Note5)	V _{con} =0.8~2.8V	-	-	(20)	μA
	I _{in} (Note2)	V _{in} =VDDorVSS	-	-	± 1.0	
Contrast Adjustment Voltage (Note 6)	VCON	T _a = 5°C , φ=0°	(1.5)	(2.0)	-	V
		T _a =25°C , φ=0°	-	(2.0)	-	
		T _a =40°C , φ=0°	-	(2.0)	(2.5)	
Frame Frequency (Note 7)	fFLM	-	-	150	-	Hz

(Note 1) In proportion as the VCON voltage decrease the brightness will increase.

(Note 2) $\overline{\text{DISP}} \bullet \text{OFF}$,FLM ,CL1 ,CL2 ,D0~D7.

(Note 3) fFLM=150Hz T_a=25°C , Display pattern : Checker pattern.

(Note 4) Rush Current of Power ON : 1A(PK) × 1ms + 0.15A(PK)×20ms

(Note 5) VCON

(Note 6) Recommended Contrast Adjustment Voltage fluctuates about ± 0.3V by each module.

Temperature compensation circuit included in LCM. (only typ values)

(Note 7) Need to make sure of flickering and rippling of display when setting the Frame Frequency in your set.

(Note 8) Some points for attention while setting driving condition of appliance

(1) Frame Frequency

Please set the frame frequency as the typical value (central vale) which in CAS. According to the characteristic or response time of LC material, that setting the frame frequency near the minimum value or under the minimum value shown in CAS will cause a frame with moving phenomenon.

(2) Setting value Vcon

Vcon, adjusted to get the best contrast ratio of LCD module, is adjusted to be distributed within the tolerance ± 0.3V of central value in CAS before LCD modules ship the factory.

The below items are recommended at customer side.

(i) When designing the appliance, please set the Vcon value as an Adjustable value.

(ii) And the Vcon value must be able to be adjusted to match most suitable Vcon to get the best contrast ratio. A fixed Vcon value a little different from the most suitable Vcon value of LCD module and causes a misjudgment.

(ii) The Vcon adjustment(when D/A [Digital/Analogue] converter is used) is recommended to be set as 50mV at most per step. That one step is more than 50mV may cause the input value to be not able match the most suitable value.

The characteristic of contrast ratio can not present absolutely.

5.2 ELECTRICAL CHARACTERISTICS OF BACKLIGHT

ITEM	SYMBOL	MIN	TYP	MAX	UNIT	NOTE
Lamp Voltage	VL	-	(560)	-	Vrms	Ta=25°C
Frequency	fL	-	(60)	-	kHz	
Lamp Current (1Lamp)(Note 7)	IL	(1.5)	(1.9)	(3.0)	mA	Ta=25°C
Starting discharge Voltage	VS (Note 2)	(1400)	-	-	Vrms	Ta=5°C

(Note 1) Please design your lamp driving circuit (inverter) according to the above specifications, and inform Hitachi of it.

(Note 2) Starting discharge voltage is increased when LCM is operating at low temperature.

Please check the characteristics of your inverter before applying to your set.

(Note 3) Average life time of CFL will be decreased when LCM is operating at low temperature.

(Note 4) Under lower driving frequency of an inverter, a certain backlight system (CFL & CFL reflection sheet) may generate a sound noise. Before designing the inverter, please consider the driving frequency and noise.

(Note 5) When IL is over 3.0mA, it may cause uneven contrast near CFL location, due to heat dispersion form CFL.

(Note 6) Absolute maximum ratings voltage of CFL cable for module is as follows.

VCFL side : 2kV

VSS side : 300V

This inverter design shall not exceed the rated voltage.

(Note 7) We suggest that the lamp current can not be lower than the standard of CAS set, or it will cause low brightness.

(Note8) We recommend to equip protection circuit (To stop output) which works under abnormal operation to the inverter for CFL.

6. OPTICAL CHARACTERISTICS

6.1 OPTICAL CHARACTERISTICS OF LCD

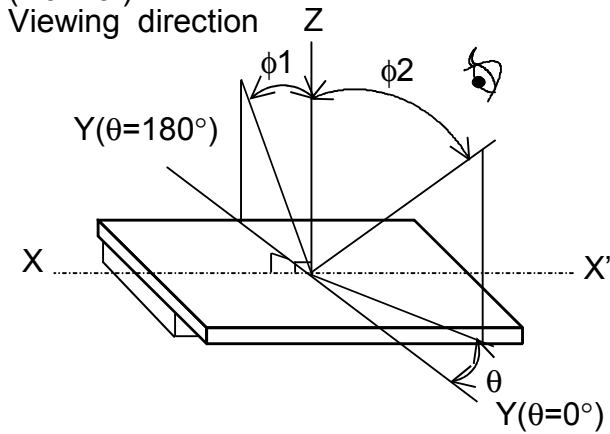
Ta=25°C (Backlight on)

ITEM		SYMBOL	CONDITION	MIN.	TYP.	MAX.	UNIT	NOTE
Viewing area		$\phi 2-\phi 1$	$\theta=0^\circ, K \geq 2.0$	-	(40)	-	deg	1,2
Contrast ratio		K	$\phi=0^\circ \quad \theta=0^\circ$	-	(40)	-	-	3,5,6
Response time (rise)		tr	$\phi=0^\circ \quad \theta=0^\circ$	-	(90)	(140)	ms	4
Response time (fall)		tf	$\phi=0^\circ \quad \theta=0^\circ$	-	(60)	(90)	ms	4
Color tone (Primary Color)	Red	x	$\phi=0^\circ \quad \theta=0^\circ$	-	(0.50)	-	-	7
		y		-	(0.29)	-	-	
	Green	x		-	(0.29)	-	-	
		y		-	(0.52)	-	-	
	Blue	x		-	(0.16)	-	-	
		y		-	(0.16)	-	-	
	White	x		-	(0.28)	-	-	
		y		-	(0.32)	-	-	

(Measurement condition : Hitachi standard)

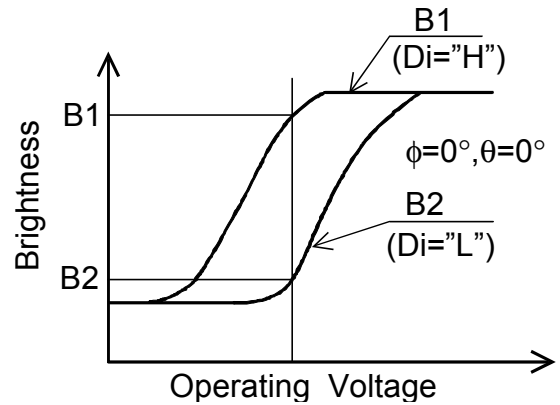
Note 1)~7) : See next page.

Note 1. Definition of θ and ϕ
(Normal)

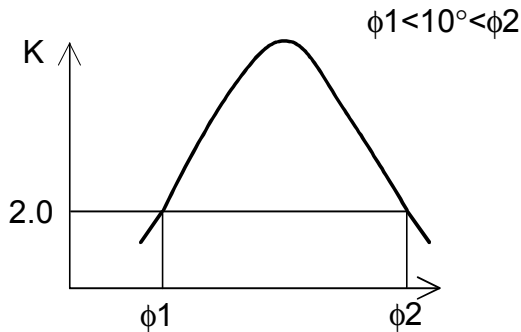


Note 3. Definition of contrast "K"

$$K = \frac{\text{Brightness on selected area (B1)}}{\text{Brightness on non-selected area (B2)}}$$

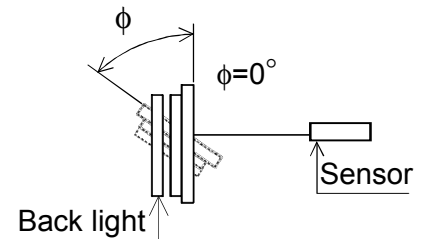
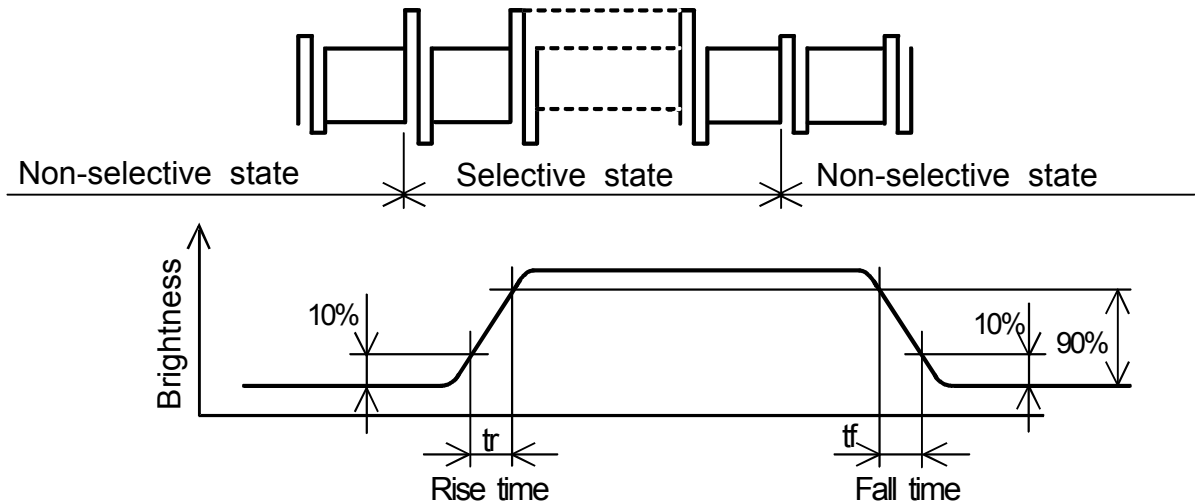


Note 2. Definition of viewing angle ϕ_1 and ϕ_2



Contrast ratio K vs viewing angle ϕ

Note 4. Definition of optical response time



Brightness : BM-7

Aperture : 1°

Distance : 0.4m

Note 5. Hitachi will not do 100% inspection for minimum value. Minimum value is for reference.

Note 6. Hitachi will do sampling inspection for minimum value.

Note 7 The LCD driving voltage should be adjusted at the voltage where the peak contrast is obtained.

6.2 POTICAL CHARACTERISTICS OF BACKLIGHT

ITEM	MIN.	TYP.	MAX.	UNIT	NOTE
Brightness	-	70	-	cd/m ²	IL=1.9mA Note1),2)
Rise time	-	(3)	-	Minute	IL=1.9mA Brightness 80%
Brightness uniformity	-	-	± 25	%	Undermentioned Note 1,3

(Measurement condition : Hitachi standard)

CFL : INITIAL , Ta=25°C

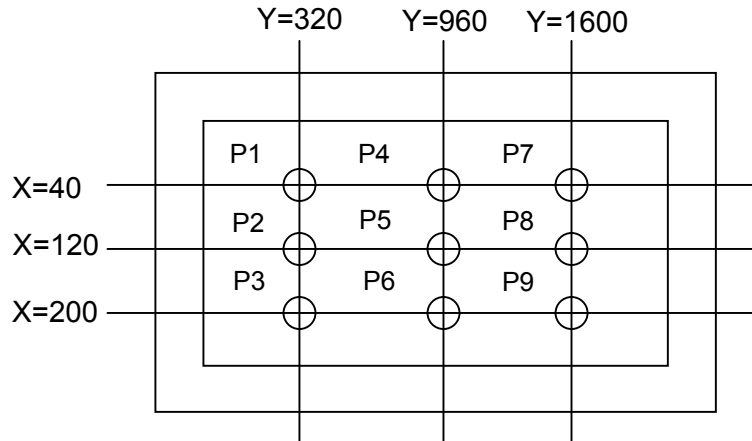
Display data should be all "ON"

The LCD driving voltage should be adjusted so as to obtain maximum contrast, when display pattern is all "Q".

(Note 1) Measurement after 10 minutes from CFL operating.
Average value of 9 points (Note 3)

(Note 2) Brightness control : 100%.

(Note 3) Measurement of the following 9 places on the display.

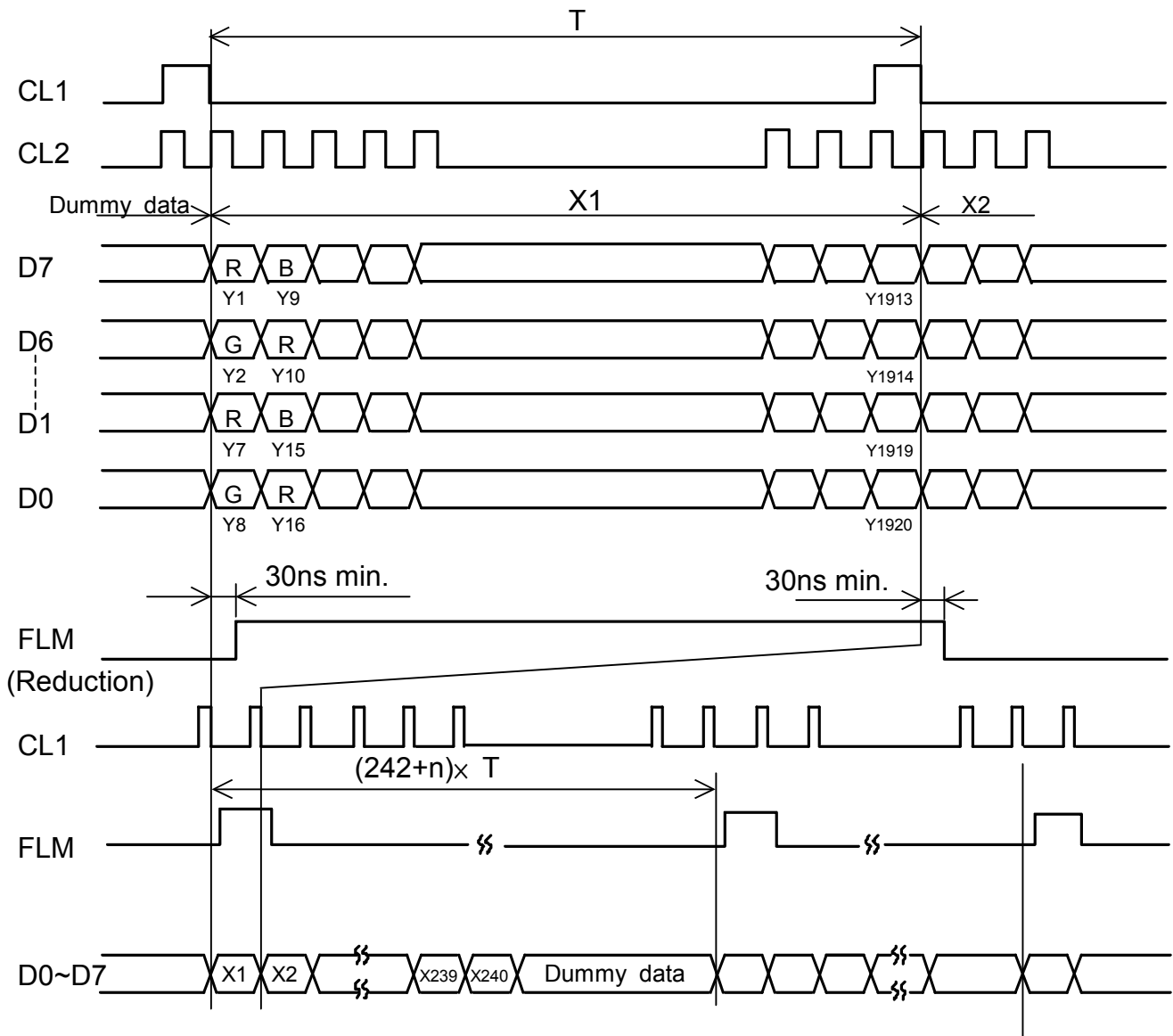


(Note 4) Definition of the brightness tolerance.

$$\left(\frac{\text{Max brightness or Min brightness} - \text{Average brightness}}{\text{Average brightness}} \right) \times 100$$

8.INTERFACE TIMING CHART

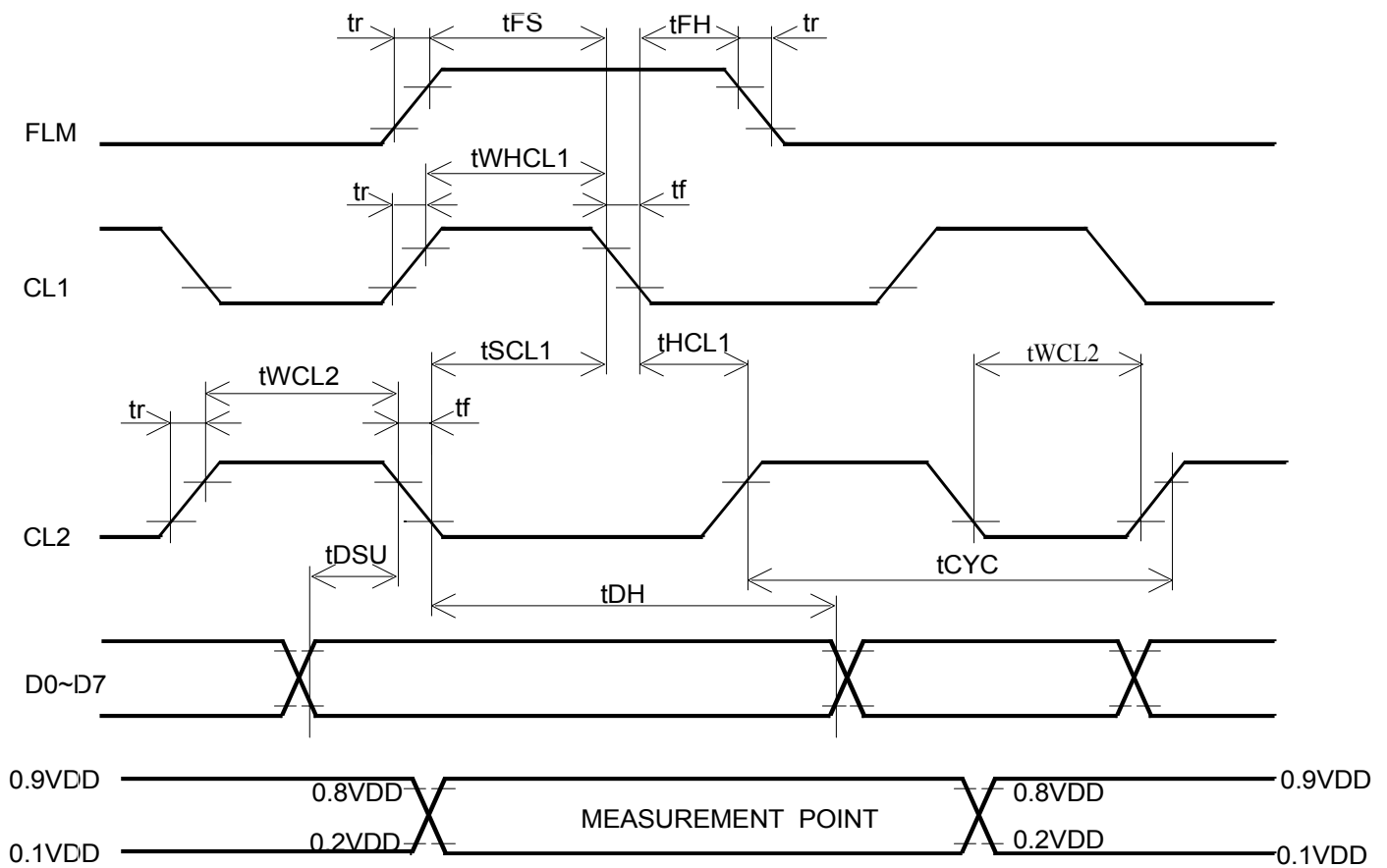
8.1 TIMING CHART



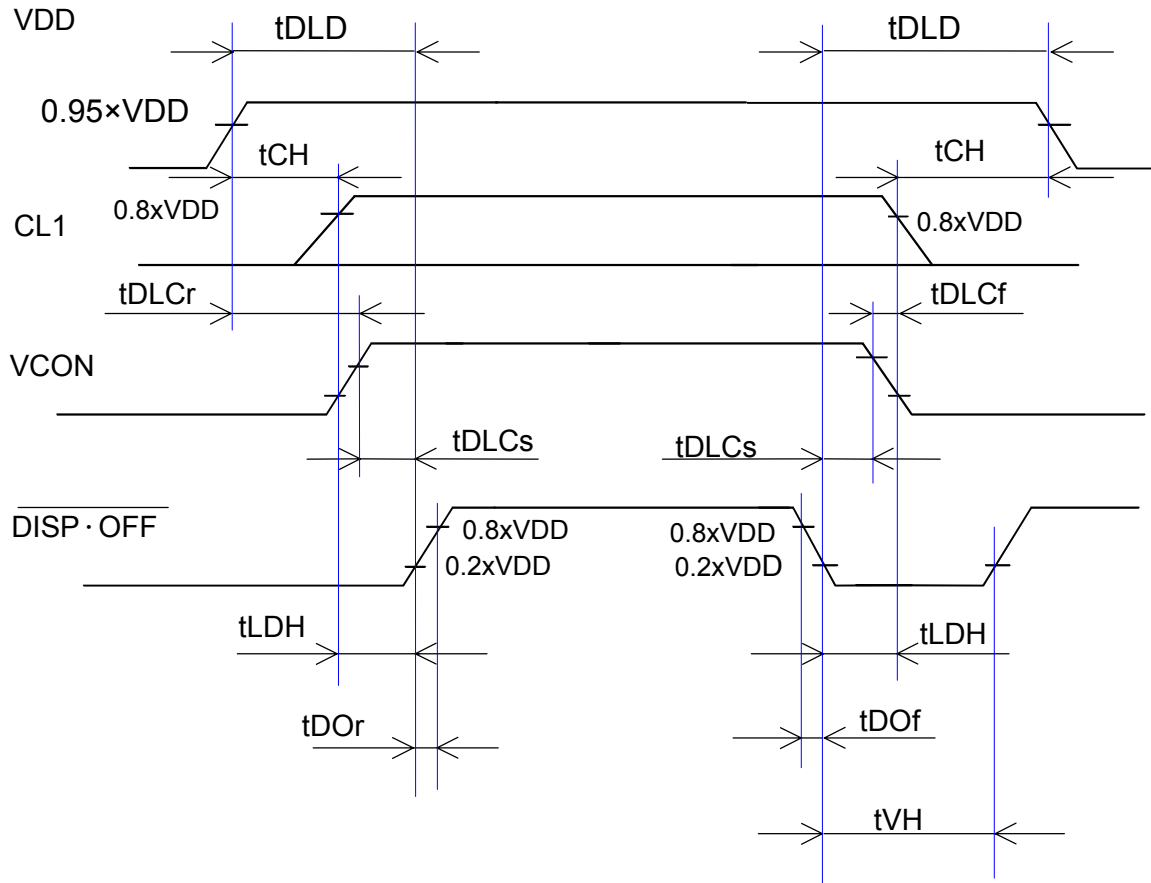
8.2 TIMING CHARACTERISTICS

VDD=3.3± 0.15V, VSS=0V, Vcon=0.8~2.8V, Ta=+5°C ~+40°C

ITEM	SYMBOL	MIN.	TYP.	MAX.	UMIT
CL1 Pulse width "H"	tWHCL1	100	-	-	ns
Clock cycle time	tCYC	60	-	-	ns
CL2 pulse width	tWCL2	30	-	-	ns
Clock set up time	tSCL1	40	-	-	ns
Clock hold time	tHCL1	80	-	-	ns
Clock rise fall time	tr,tf	-	-	30	ns
Data set up time	tDSU	20	-	-	ns
Data hold time	tDH	20	-	-	ns
"FLM" set up time	tFS	100	-	-	ns
"FLM" hold time	tFH	50	-	-	ns



8.3 POWER ON/OFF SEQUENCE



SYMBOL	MIN	MAX	UNIT	COMMENT
t_{DLD}	200	-	ms	(Note 1)
t_{CH}	0	-	ms	
t_{LDH}	0	-	ms	
t_{DOr}	-	100	ns	(Note 2)
t_{DOf}	-	100	ns	
t_{DLCr}	20	-	ms	
t_{DLCf}	0	-	ms	
t_{DLCs}	20	-	ms	
t_{VH}	200	-	ms	

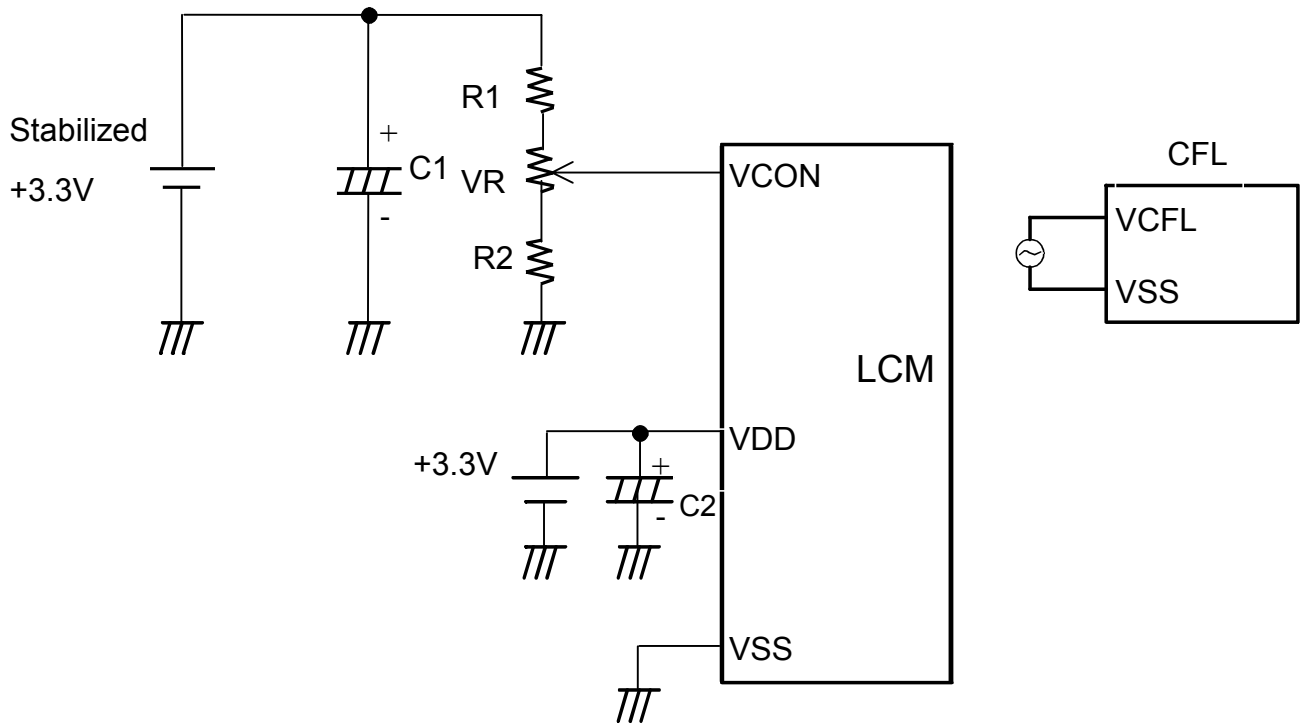
(Note 1) Please keep the specified sequence because wrong sequence may cause permanent damage to the LCD panel.

(Note 2) Hitachi recommends you to use $\overline{\text{DISP}}\cdot\text{OFF}$ function.

Display quality may deteriorate if you don't use $\overline{\text{DISP}}\cdot\text{OFF}$ function.

8.4 POWER SUPPLY FOR LCM

Example



8.5 INPUT DATA ALLOCATION TABLE

Data Signal	D 7	D 6	D 5	D 4	D 3	D 2	D 1	D 0	D 7	D 6	D 5	D 4	-----	D 4	D 3	D 2	D 1	D 0
Y	1	2	3	4	5	6	7	8	9	10	11	12		1 9	1 9	1 9	1 9	1 9
X														6	7	8	9	0
1	R	G	B	R	G	B	R	G	B	R	G	B	-----	G	B	R	G	B
2	R	G	B	R	G	B	R	G	B	R	G	B	-----	G	B	R	G	B
3	R	G	B	R	G	B	R	G	B	R	G	B	-----	G	B	R	G	B
4	R	G	B	R	G	B	R	G	B	R	G	B	-----	G	B	R	G	B
5	R	G	B	R	G	B	R	G	B	R	G	B	-----	G	B	R	G	B
138	R	G	B	R	G	B	R	G	B	R	G	B	-----	G	B	R	G	B
139	R	G	B	R	G	B	R	G	B	R	G	B	-----	G	B	R	G	B
140	R	G	B	R	G	B	R	G	B	R	G	B	-----	G	B	R	G	B
141	R	G	B	R	G	B	R	G	B	R	G	B	-----	G	B	R	G	B
142	R	G	B	R	G	B	R	G	B	R	G	B	-----	G	B	R	G	B
143	R	G	B	R	G	B	R	G	B	R	G	B	-----	G	B	R	G	B
144	R	G	B	R	G	B	R	G	B	R	G	B	-----	G	B	R	G	B
145	R	G	B	R	G	B	R	G	B	R	G	B	-----	G	B	R	G	B
238	R	G	B	R	G	B	R	G	B	R	G	B	-----	G	B	R	G	B
239	R	G	B	R	G	B	R	G	B	R	G	B	-----	G	B	R	G	B
240	R	G	B	R	G	B	R	G	B	R	G	B	-----	G	B	R	G	B

R : RED
 G : GREEN
 B : BLUE

8.6 INTERNAL PIN CONNECTION

CN1 HIROSE : FH12A24S-0.5SH (Suitable FPC : $t0.3 \pm 0.05\text{mm}$, 0.5mm pitch)

PIN No.	SIGNAL	LEVEL	FUNCTION
1	FLM	H	First Line Marker
2	VSS	-	GND
3	CL1	H→L	Data Latch
4	VSS	-	GND
5	CL2	H→L	Data Shift
6	VDD	-	Power Supply for Logic
7	VSS	-	GND
8	D0	H/L	Display Data
9	D1		
10	D2		
11	D3		
12	VSS	-	GND
13	D4	H/L	Display Data
14	D5		
15	D6		
16	D7		
17	$\overline{\text{DISP}} \bullet \text{OFF}$	H/L	H : ON / L : OFF
18	VDD	-	Power Supply for Logic
19	VCON	-	Contrast Adjust
20	VSS	-	GND
21	Y(-)	-	Analog Signal from Digitizer
22	X(-)		
23	Y(+)		
24	X(+)		

CN2 HIROSE : FH12-10(4)SA-1SH (Suitable FPC : $t0.3 \pm 0.05\text{mm}$, 1.0mm pitch)

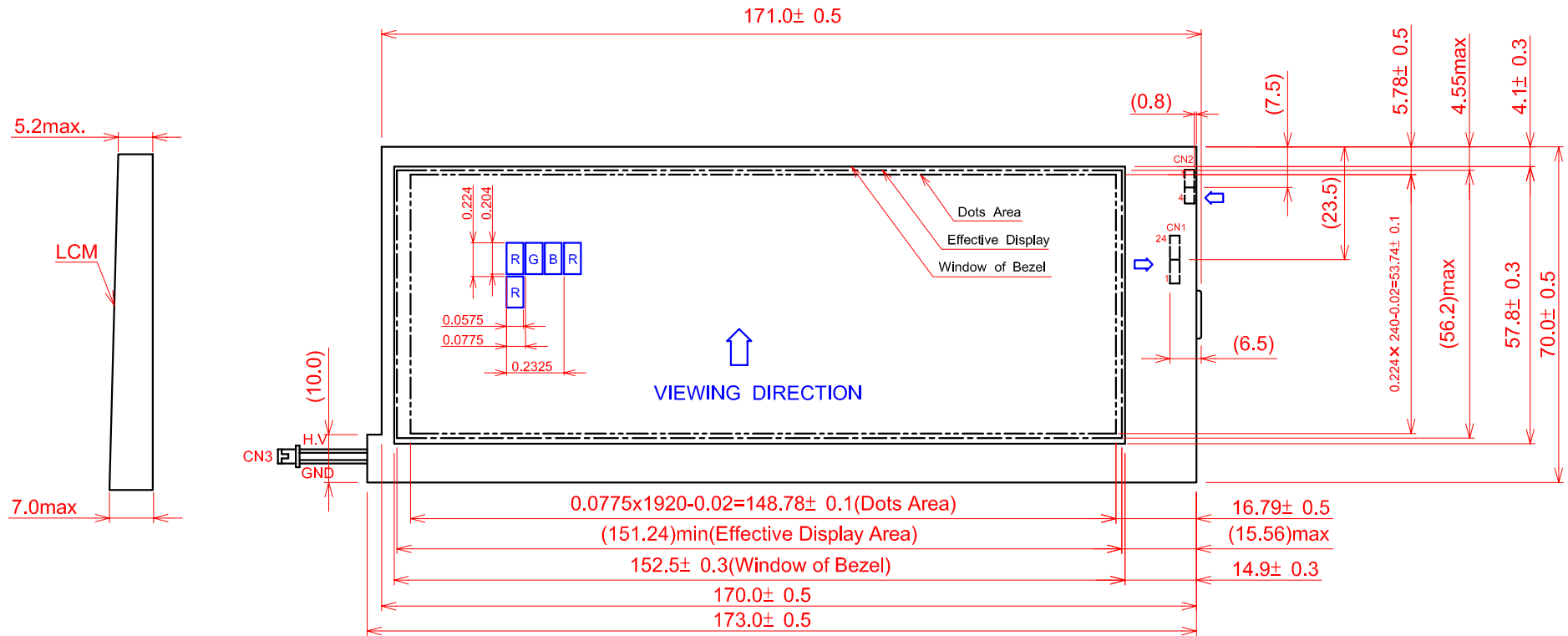
PIN No.	SIGNAL	LEVEL	FUNCTION
1	Y(+)	-	Digitizer
2	X(+)		
3	Y(-)		
4	X(-)		

* Reference of touch panel pin connection

CN3 JST Housing : BHR-02VS-1 (Suitable Connector : JST SM02(4.0)B-BHS-1)

PIN No.	SIGNAL	LEVEL	FUNCTION
1	VSS	-	GND for CFL
2	VCFL	-	Power Supply for CFL

9. DIMENSIONAL OUTLINE



Note(1) Measurement should be done under a pressure of 9.8×10^4 Pa at the mesurment point.

Scale : NTS
Unit :mm

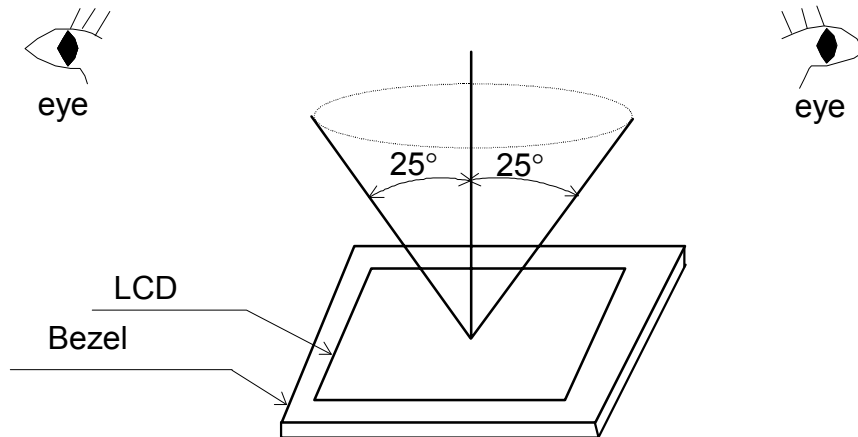
10. APPEARANCE STANDARD

10.1 APPEARANCE INSPECTION CONDITION

Visual inspection should be done under the following condition.

- (1) The inspection should be done in a dark room.
- (2) The CFL should be lighted with the prescribed inverter.
- (3) The distance between eyes of an inspector and the LCD module is 25cm.
- (4) The viewing zone is shown the figure.

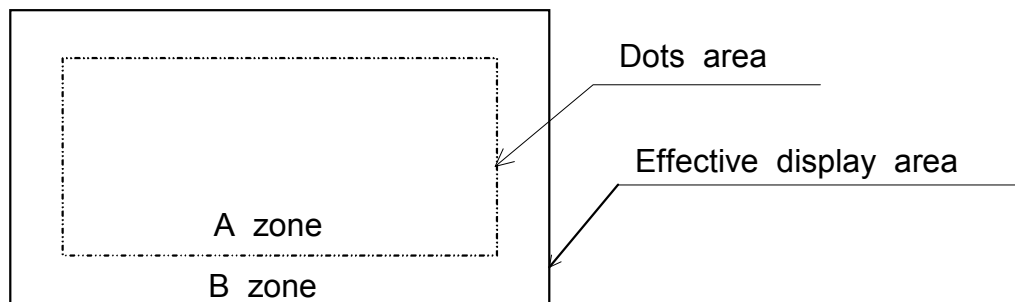
Viewing angle $\leq 25^\circ$.



10.2 DEFINITION OF ZONE

A zone : The dots area specified at page 9-1/1 of this document.

B zone : Area between the effective display area line and the dots area (A zone) line specified at page 9-1/1 of this document.



10.3 APPEARANCE SPECIFICATION

(1)LCD APPEARANCE

* If the problem related to this section occurs about this item, the responsible persons of both party (Customer and Hitachi) will discuss the matter in detail.

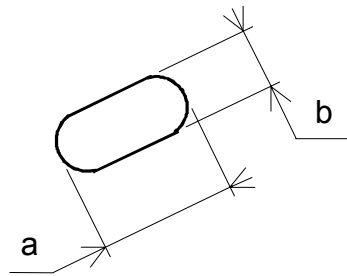
No.	ITEM	CRITERIA		APPLIED ZONE	
L C D	Scratches	Distinguished one is not acceptable (To be judged by HITACHI STANDARD)		A	
	Dent	Same as above		A	
	Wrinkles in Polarizer	Same as above		A	
	Bubbles	Average diameter D(mm)	Maximum number Acceptable		A
		$D \leq 0.2$	ignored		
		$0.2 < D \leq 0.3$	12		
		$0.3 < D \leq 0.5$	3		
		$0.5 < D$	none		
	Stains, Foreign Materials Dark spot	Filamentous (Line shape)			A,B
		Length L(mm)	Width W(mm)	Maximum acceptable number	
		$L \leq 2.0$	$W \leq 0.03$	ignored	
		$L \leq 3.0$	$0.03 < W \leq 0.05$	6	
		$L \leq 2.5$	$0.05 < W \leq 0.1$	1	
		Round(Dot shape)			A,B
		Average diameter D(Mm)	Maximum Acceptable number	Minimum Space	
		$D < 0.2$	Ignored	-	
		$0.2 \leq D < 0.3$	10	10 mm	
		$0.3 \leq D < 0.4$	5	30 mm	
	$0.4 \leq D$	None	-		
	The total number	Filamentous+Round=10			
Those wiped out easily are acceptable					
Color tone	To be judged by HITACHI STANDARD		A		
Color uniformity	Same as above		A		

No.	ITEM	CRITERIA				APPLIED ZONE
L	Contrast irregularity (Spot)	Average diameter D(mm)	Contrast	Maximum acceptable number	Minimum space	A
		$D \leq 0.25$				
		$0.25 < D \leq 0.35$	10	20mm		
		$0.35 < D \leq 0.5$	4	20mm		
		$0.5 < D \leq 0.7$	3	50mm		
$0.7 < D$	None	-				
C D	Contrast irregularity (Line) (A pair of scratches)	Width W(mm)	Length L(mm)	Maximum Acceptable number	Minimum space	A
		$W \leq 0.25$	$L \leq 1.2$	2	20mm	
		$W \leq 0.2$	$L \leq 1.5$	3	20mm	
		$W \leq 0.15$	$L \leq 2.0$	3	20mm	
		$W \leq 0.1$	$L \leq 3.0$	4	20mm	
		The whole number		6		
Rubbing Scratch		To be judged by HITACHI STANDARD			-	

(2) CFL BACKLIGHT APPEARANCE

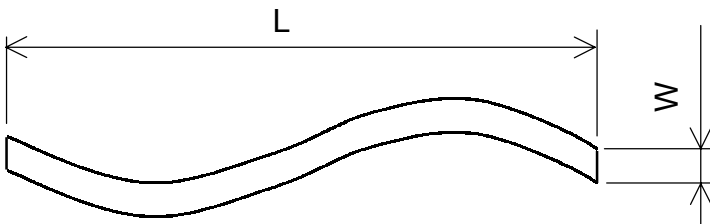
No.	ITEM	CRITERIA			APPLIED ZONE
C F L	Dark spots White spots Foreign materials (Spot)	Average diameter D(mm)	Maximum Acceptable number		A
		$D \leq 0.4$	ignored		
		$0.4 < D$	none		
B A C K L I G H T	Foreign materials (Line)	Width W(mm)	Length L(mm)	Maximum Acceptable number	A
		$W \leq 0.2$	$L \leq 2.5$	1	
			$2.5 < L$	None	
		$0.2 < W$	-	none	
S C R A T C H E S	Scratches	Width W(mm)	Length L(mm)	Maximum acceptable number	A
		$W \leq 0.1$	-	ignored	
		$0.1 < W \leq 0.2$	$L \leq 11.0$	1	
			$11.0 < L$	None	
		$0.2 < W$	-	none	

Note (1) Definition of average diameter (D)



$$D = \frac{a+b}{2}$$

Note (2) Definition of length (L) and width (W)



11. PRECAUTION IN DESIGN

11.1 LC DRIVING VOLTAGE (V CON) AND VIEWING ANGLE RANGE

Setting VCON out of the recommended condition will be a cause for a change of viewing angle range.

11.2 PRECAUTIONS AGAINST ELECTROSTATIC DISCHARGE

As this module contains C-MOS LSIs, it is not strong against electrostatic discharge. Make certain that the operator's body is connected to the ground through a wrist band etc.

And don't touch I/F pins directly.

11.3 POWER ON SEQUENCE

Input signals should not be applied to LCD module before power supply voltage is applied and reaches to specified voltage ($3.0 \pm 0.15V$).

If the above sequence is not kept, C-MOS LSIs of LCD module may be damaged due to latch up phenomenon.

11.4 HANDLING PRECAUTIONS

(1) Since the polarizer on the top, and the aluminum plate on the bottom tend to be easily damaged, they should be with full care so as not to get them touched, pushed or rubbed by a piece of glass, tweezers and anything else which are harder than a pencil lead 3H.

(2) As the adhesives used for adhering upper/lower polarizers and aluminum plate are made of organic substances which will be deteriorated by a chemical reaction with such chemicals as acetone, toluene, ethanol and isopropyl alcohol. The following are recommended for use: Normal hexane

Please contact us when it is necessary for you to use chemicals other than the above.

(3) Lightly wipe to clean the dirty surface with absorbent cotton or other soft material like chamois, soaked in the recommended chemicals without scrubbing it hard.

Always wipe the surface horizontally or vertically. Never give a wipe in a circle. To prevent the display surface from damage and keep the appearance in good state, it is sufficient, in general, to wipe it with absorbent cotton.

(4) Immediately wipe off saliva or water drop attached on the display area because it may cause deformation or faded color.

(5) Fog or dew deposited on the surface may cause a damage, stain or dirt to the polarizer.

When you need to take out the LCD module from some place at low temperature for test, etc.

It is required to be warmed them up to temperature higher than room temperature before taking them out.

KAOHSIUNG HITACHI ELECTRONICS CO.,LTD.	DATE	June.18.'01	Sh. No.	7B64PS2711-SX16H005-2	PAGE	11-1/3
---	------	-------------	------------	-----------------------	------	--------

- (6) Touching the display area or I/F pins with bare hands or contaminating them are prohibited, because the stain on the display area and poor insulation between terminals are often caused by being touched with bare hands.
(Some cosmetics are detrimental to polarizers.)
- (7) In general, the glass is fragile so that, especially on its periphery, tends to be cracked or chipped in handling. Please not give the LCD module sharp shocks by falling etc.
- (8) Maximum pressure to the surface must be less than 1.96×10^4 Pa.
And if the pressure area is less than 1cm^2 , maximum pressure must be less than 1.96N.
- (9) Since the metal width is narrow on these locations (see page 9-1/1), please careful with handling.
- (10) Top sheets shall be cleaned gently using a soft cloth such as those used for glasses.
Hard wiping accumulated dust will leave scars on the surface even using a cloth.

11.5 OPERATION PRECAUTION

- (1) Using a LCM module beyond its maximum ratings may result in its permanent destruction.
LCM module's should usually be used under recommended operating conditions shown in chapter 5. Exceeding any of these conditions may adversely affect its reliability.
- (2) Response time will be extremely delayed at lower temperature than the specified operating temperature range and on the other hand LCD's shows dark blue at higher temperature.
How ever those phenomena do not mean defects of the LCD module. Those phenomena will disappear in the specified operating temperature range.
- (3) If the display area is pushed hard during operation, some display patterns will be abnormally display.
- (4) A slight dew depositing on terminals may cause electrochemical reaction which leads to terminal open circuit. Please operate the LCD module under the relative condition of 40°C 85%RH.
- (5) Since STN-LCD is sensitive for heat please consider the heat profession from any Heat sources like inverter , DC/DC converter , CPU and so on.

11.6 STORAGE

In case of storing LCD module for a long period of time (for instance, for years) for The purpose of replacement use, the following precautions necessary.

- (1) Storage in a polyethylene bag with the opening sealed so as not to enter fresh air outside in it, and with no desiccant.
- (2) Placing in dark place where neither exposure to direct sunlight nor light is, keeping temperature In the range from 0°C and 35°C.
- (3) Storing with no touch on polarizer surface by anything else. (It is recommended to store them as they have been contained in the inner container at the time of delivery from us.)

11.7 SAFETY

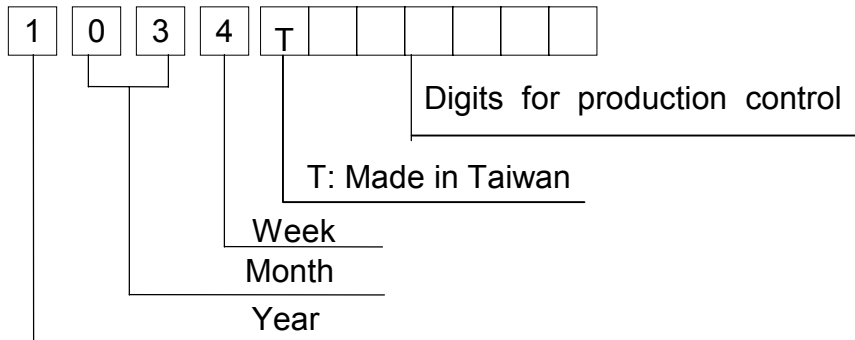
The LCD modules include Cold Cathode Fluorescent Lamp (CFL). CFL contains a small amount of mercury. Please follow local ordinances or regulations for disposal.

Wear finger cots or gloves whenever handling or assembling a touch panel its Glass edges are sharp.

12. DESIGNATION OF LOT MARK

12.1 LOT MARK

Lot mark is consisted of 4 digits for production lot and 6 or 7 digits for production control.



Year	Figure in lot mark
2001	1
2002	2
2003	3
2004	4
2005	5

Month	Figure in lot mark	Month	Figure in lot mark
Jan.	01	July	07
Feb.	02	Aug.	08
Mar.	03	Sep.	09
Apr.	04	Oct.	10
May	05	Nov.	11
June	06	Dec.	12

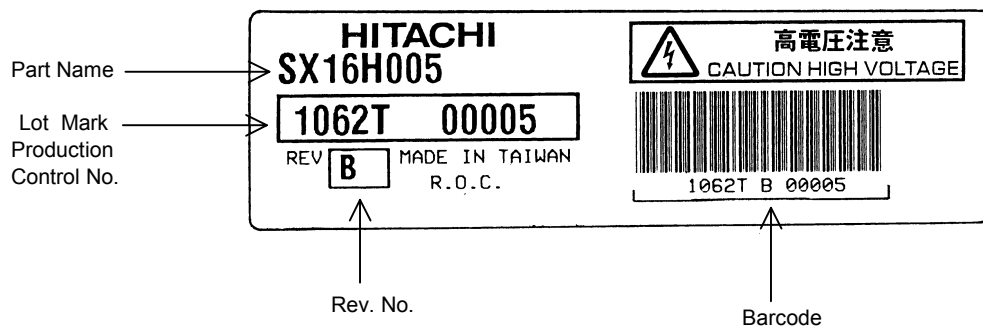
Week (day in calendar)	Figure in lot mark
1~ 7	1
8~14	2
15~21	3
22~28	4
29~31	5

12.2 REVISION

REV No.	ITEM	LOT No.	PRODUCTION CONTROL No.
A	Seg Driver (BD66134UBT)	-	00001~
B	Seg Driver (BD66134WBT)	-	00001~

12.3 LOCATION OF LOT MARK

Following label is attached on the back of LCM



Information of barcode are "LOT Mark", "Rev. No." and "Production Control No."

13. PRECAUTION FOR USE

(1) A limit sample should be provided by the both parties on an occasion when the both parties agree to its necessity.

Judgement by a limit sample shall take effect after the limit sample has been established and confirmed by the both parties.

(2) On the following occasions, the handling of the problem should be decided through discussion and agreement between responsible persons of the both parties.

(1) When a question is arisen in the specifications.

(2) When a new problem is arisen which is not specified in this specifications.

(3) When an inspection specifications change or operating condition change by customer is reported to HITACHI, and some problem is arisen in the specification due to the change.

(4) When a new problem is arisen at the customer's operating set for sample evaluation.

(3) Regarding the treatment for maintenance and repairing, both parties will discuss it in six month later after latest delivery of this product.

The precaution that should be observed when handling LCM have been explained above.

If any points are unclear or if you have any requests , please contact HITACHI.