

**2:1 MULTIPLEXER****SY10EL58
SY100EL58****FEATURES**

- 230ps propagation delay
- High bandwidth output transitions
- Internal 75K Ω input pull-down resistors
- Available in 8-pin SOIC package

DESCRIPTION

The SY10/100EL58 are 2:1 multiplexers. These devices are functionally equivalent to the E158 devices, with higher performance capabilities. With propagation delays and output transition times significantly faster than the E158, the EL58 is ideally suited for those applications which require the ultimate in AC performance.

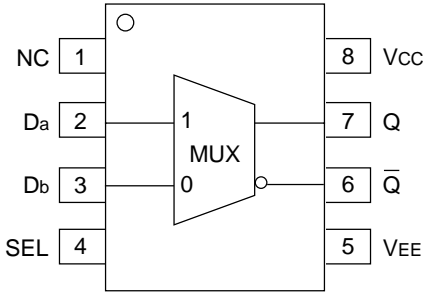
TRUTH TABLE

SEL	Data
H	a
L	b

PIN NAMES

Pin	Function
Da, Db	Data Inputs
Q	Data Outputs
SEL	Select Input

PACKAGE/ORDERING INFORMATION



8-Pin SOIC (Z8-1)

Ordering Information⁽¹⁾

Part Number	Package Type	Operating Range	Package Marking	Lead Finish
SY10EL58ZC	Z8-1	Commercial	HEL58	Sn-Pb
SY10EL58ZCTR ⁽²⁾	Z8-1	Commercial	HEL58	Sn-Pb
SY100EL58ZC	Z8-1	Commercial	XEL58	Sn-Pb
SY100EL58ZCTR ⁽²⁾	Z8-1	Commercial	XEL58	Sn-Pb
SY10EL58ZI	Z8-1	Industrial	HEL58	Sn-Pb
SY10EL58ZITR ⁽²⁾	Z8-1	Industrial	HEL58	Sn-Pb
SY100EL58ZI	Z8-1	Industrial	XEL58	Sn-Pb
SY100EL58ZITR ⁽²⁾	Z8-1	Industrial	XEL58	Sn-Pb
SY10EL58ZG ⁽³⁾	Z8-1	Industrial	HEL58 with Pb-Free bar-line indicator	Pb-Free NiPdAu
SY10EL58ZGTR ^(2, 3)	Z8-1	Industrial	HEL58 with Pb-Free bar-line indicator	Pb-Free NiPdAu
SY100EL58ZG ⁽³⁾	Z8-1	Industrial	XEL58 with Pb-Free bar-line indicator	Pb-Free NiPdAu
SY100EL58ZGTR ^(2, 3)	Z8-1	Industrial	XEL58 with Pb-Free bar-line indicator	Pb-Free NiPdAu

Notes:

1. Contact factory for die availability. Dice are guaranteed at T_A = 25°C, DC Electricals only.
2. Tape and Reel.
3. Pb-Free package is recommended for new designs.

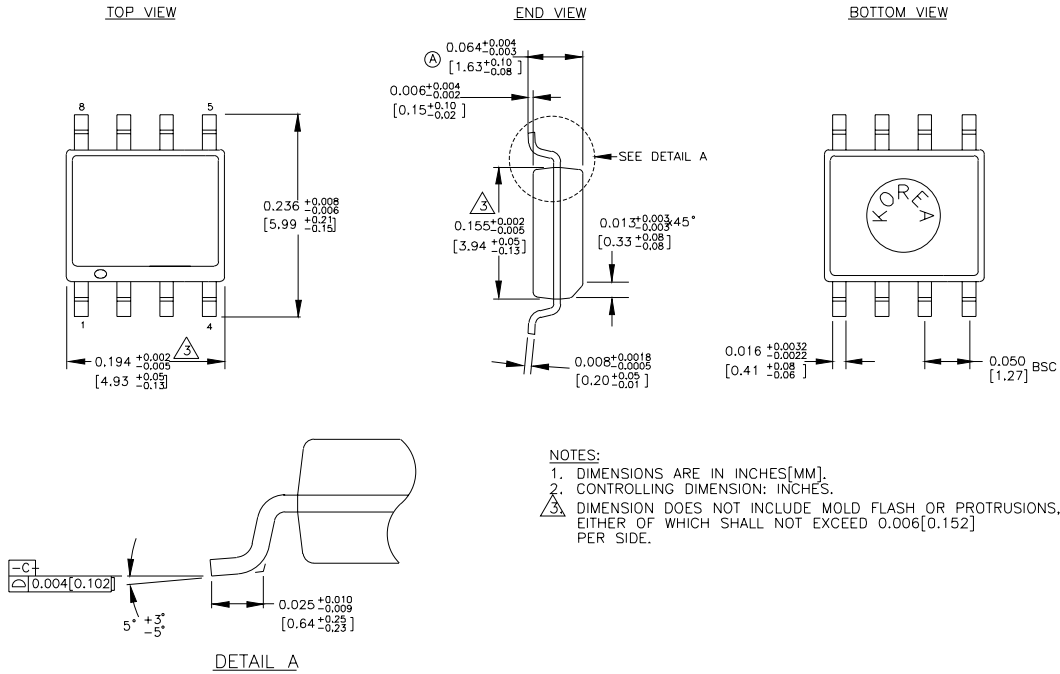
DC ELECTRICAL CHARACTERISTICSV_{EE} = V_{EE} (Min.) to V_{EE} (Max.); V_{CC} = GND

Symbol	Parameter	T _A = -40°C			T _A = 0°C			T _A = +25°C			T _A = +85°C			Unit
		Min.	Typ.	Max.	Min.	Typ.	Max.	Min.	Typ.	Max.	Min.	Typ.	Max.	
I _{EE}	Power Supply Current	—	14	17	11	14	17	11	14	17	11	14	17	mA
	10EL	—	14	17	11	14	17	11	14	17	11	14	17	
	100EL	—	14	17	11	14	17	11	14	17	13	16	19	
V _{EE}	Power Supply Voltage	—	—	—	—	—	—	—	—	—	—	—	—	V
	10EL	-4.75	-5.2	-5.5	-4.75	-5.2	-5.5	-4.75	-5.2	-5.5	-4.75	-5.2	-5.5	
	100EL	-4.20	-4.5	-5.5	-4.20	-4.5	-5.5	-4.20	-4.5	-5.5	-4.20	-4.5	-5.5	
I _{IH}	Input HIGH Current	—	—	150	—	—	150	—	—	150	—	—	150	μA

AC ELECTRICAL CHARACTERISTICSV_{EE} = V_{EE} (Min.) to V_{EE} (Max.); V_{CC} = GND

Symbol	Parameter	T _A = -40°C			T _A = 0°C			T _A = +25°C			T _A = +85°C			Unit
		Min.	Typ.	Max.	Min.	Typ.	Max.	Min.	Typ.	Max.	Min.	Typ.	Max.	
t _{PD}	Propagation Delay to Output D	60	220	380	110	220	330	120	230	340	140	250	360	ps
		90	250	410	140	250	360	150	260	370	170	280	390	
t _r t _f	Output Rise/Fall Times Q (20% to 80%)	100	225	350	100	225	350	100	225	350	100	225	350	ps

8-PIN SOIC .150" WIDE (Z8-1)



Rev. 03

MICREL, INC. 2180 FORTUNE DRIVE SAN JOSE, CA 95131 USA

TEL + 1 (408) 944-0800 FAX + 1 (408) 474-1000 WEB <http://www.micrel.com>

The information furnished by Micrel in this datasheet is believed to be accurate and reliable. However, no responsibility is assumed by Micrel for its use. Micrel reserves the right to change circuitry and specifications at any time without notification to the customer.

Micrel Products are not designed or authorized for use as components in life support appliances, devices or systems where malfunction of a product can reasonably be expected to result in personal injury. Life support devices or systems are devices or systems that (a) are intended for surgical implant into the body or (b) support or sustain life, and whose failure to perform can be reasonably expected to result in a significant injury to the user. A Purchaser's use or sale of Micrel Products for use in life support appliances, devices or systems is at Purchaser's own risk and Purchaser agrees to fully indemnify Micrel for any damages resulting from such use or sale.

© 2005 Micrel, Incorporated.