

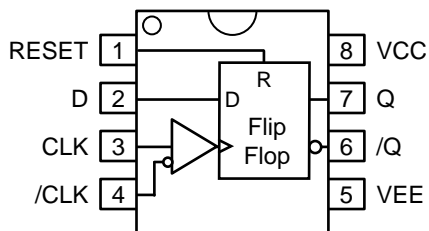
FEATURES

- 3.3V and 5V power supply options
- 320ps typical propagation delay
- Maximum frequency > 3GHz typical
- 75Ω internal input pulldown resistor
- Transistor count: 143
- Available in 8-Pin (3mm) MSOP and SOIC packages



ECL Pro™

PIN CONFIGURATION/BLOCK DIAGRAM



Available in 8-Pin SOIC and MSOP Packages

DESCRIPTION

The SY10EP51V is a D flip-flop with reset and differential clock. The device is pin and functionally equivalent to the EL51 device.

The reset input is an asynchronous, level triggered signal. Data enters the master portion of the flip-flop when CLK is LOW and is transferred to the slave, and thus the outputs, upon a positive transition of the CLK. The differential clock inputs of the EP51V allow the device to be used as a negative edge triggered flip-flop.

The differential input employs clamp circuitry to maintain stability under open input conditions. When left open, the CLK input will be pulled down to V_{EE} and the /CLK input will be biased a $V_{CC}/2$.

PIN NAMES

Pin	Function
CLK, /CLK	ECL Clock Inputs
RESET	ECL Asynchronous Reset
D	ECL Data Input
Q, /Q	ECL Data Outputs
V_{CC}	Positive Supply
V_{EE}	Negative, 0 Supply

TRUTH TABLE

D	RESET	CLK	Q
L	L	Z	L
H	L	Z	H
X	H	X	L

Z = LOW to HIGH Transition

ABSOLUTE MAXIMUM RATINGS⁽¹⁾

Symbol	Rating	Value	Unit
$V_{CC} - V_{EE}$	Power Supply Voltage	6V	V
V_{IN}	Input Voltage ($V_{CC} = 0V$, V_{IN} not more negative than V_{EE}) Input Voltage ($V_{EE} = 0V$, V_{IN} not more positive than V_{CC})	-6.0 to 0 +6.0 to 0	V V
I_{OUT}	Output Current -Continuous -Surge	50 100	mA
T_A	Operating Temperature Range	-40 to +85	°C
T_{store}	Storage Temperature Range	-65 to +150	°C
θ_{JA}	Package Thermal Resistance (Junction-to-Ambient) -Still-Air (SOIC) -500lfpm (SOIC) -Still-Air (MSOP) -500lfpm (MSOP)	160 109 206 155	°C/W °C/W
θ_{JC}	Package Thermal Resistance (Junction-to-Case) (SOIC) (MSOP)	39 39	°C/W

Note 1. Permanent device damage may occur if ABSOLUTE MAXIMUM RATINGS are exceeded. This is a stress rating only and functional operation is not implied at conditions other than those detailed in the operational sections of this data sheet. Exposure to ABSOLUTE MAXIMUM RATING conditions for extended periods may affect device reliability.

5V PECL DC ELECTRICAL CHARACTERISTICS⁽¹⁾

$V_{CC} = 5.0V$, $V_{EE} = 0V$ ⁽²⁾

Symbol	Parameter	$T_A = -40^\circ C$			$T_A = +25^\circ C$			$T_A = +85^\circ C$			Unit
		Min.	Typ.	Max.	Min.	Typ.	Max.	Min.	Typ.	Max.	
I_{EE}	Power Supply Current ⁽³⁾	—	35	40	—	35	40	—	35	40	mA
V_{OH}	Output HIGH Voltage ⁽⁴⁾	3865	3990	4115	3930	4055	4180	3990	4115	4240	mV
V_{OL}	Output LOW Voltage ⁽⁴⁾	3050	3190	3315	3050	3255	3380	3050	3315	3440	mV
V_{IH}	Input HIGH Voltage (Single-Ended)	3790	—	4115	3855	—	4180	3915	—	4240	mV
V_{IL}	Input LOW Voltage (Single-Ended)	3065	—	3390	3130	—	3455	3190	—	3515	mV
V_{IHCMR}	Input HIGH Voltage ⁽⁵⁾ Common Mode Range	2.0	—	V_{CC}	2.0	—	V_{CC}	2.0	—	V_{CC}	V
I_{IH}	Input HIGH Current	—	—	150	—	—	150	—	—	150	μA
I_{IL}	Input LOW Current	0.5	—	—	0.5	—	—	0.5	—	—	μA

Note 1. 10EP circuits are designed to meet the DC specifications shown in the above table after thermal equilibrium has been established. The circuit is in a test socket or mounted on a printed circuit board and traverse airflow greater than 500lfpm is maintained.

Note 2. Input and output parameters vary 1:1 with V_{CC} . V_{CC} can vary +0.25V to +0.5V.

Note 3. $V_{CC} = 0V$, $V_{EE} = V_{EE}(\text{min.})$ to $V_{EE}(\text{max.})$, all other pins floating.

Note 4. All loading with 50Ω to $V_{CC} - 2.0V$.

Note 5. $V_{IHCMR}(\text{min})$ varies 1:1 with V_{EE} , $V_{IHCMR}(\text{max})$ varies 1:1 with V_{CC} . The V_{IHCMR} range is referenced to the most positive side of the differential input signal.

3.3V LVPECL DC ELECTRICAL CHARACTERISTICS⁽¹⁾

$V_{CC} = 3.3V, V_{EE} = 0V^{(2)}$

Symbol	Parameter	$T_A = -40^\circ C$			$T_A = +25^\circ C$			$T_A = +85^\circ C$			Unit
		Min.	Typ.	Max.	Min.	Typ.	Max.	Min.	Typ.	Max.	
I_{EE}	Power Supply Current ⁽³⁾	—	35	40	—	35	40	—	35	40	mA
V_{OH}	Output HIGH Voltage ⁽⁴⁾	2165	2290	2415	2230	2355	2480	2290	2415	2540	mV
V_{OL}	Output LOW Voltage ⁽⁴⁾	1350	1490	1615	1350	1555	1680	1350	1615	1740	mV
V_{IH}	Input HIGH Voltage (Single-Ended)	2090	—	2415	2155	—	2480	2215	—	2540	mV
V_{IL}	Input LOW Voltage (Single-Ended)	1365	—	1690	1430	—	1755	1490	—	1815	mV
V_{IHCMR}	Input HIGH Voltage ⁽⁵⁾ Common Mode Range (Diff.)	2.0	—	V_{CC}	2.0	—	V_{CC}	2.0	—	V_{CC}	V
I_{IH}	Input HIGH Current	—	—	150	—	—	150	—	—	150	μA
I_{IL}	Input LOW Current	0.5	—	—	0.5	—	—	0.5	—	—	μA

- Note 1.** 10EP circuits are designed to meet the DC specifications shown in the above table after thermal equilibrium has been established. The circuit is in a test socket or mounted on a printed circuit board and traverse airflow greater than 500lfpm is maintained.
- Note 2.** Input and output parameters vary 1:1 with V_{CC} . V_{CC} can vary $-0.3V$ to $+0.5V$.
- Note 3.** $V_{CC} = 0V$, $V_{EE} = V_{EE}(\text{min.})$ to $V_{EE}(\text{max.})$, all other pins floating.
- Note 4.** All loading with 50Ω to $V_{CC} - 2.0V$.
- Note 5.** $V_{IHCMR}(\text{min})$ varies 1:1 with V_{EE} , $V_{IHCMR}(\text{max})$ varies 1:1 with V_{CC} . The V_{IHCMR} range is referenced to the most positive side of the differential input signal.

NECL/LVECL DC ELECTRICAL CHARACTERISTICS⁽¹⁾

$V_{CC} = 0V, V_{EE} = -5.5V \text{ to } -3.0V$

Symbol	Parameter	$T_A = -40^\circ C$			$T_A = +25^\circ C$			$T_A = +85^\circ C$			Unit
		Min.	Typ.	Max.	Min.	Typ.	Max.	Min.	Typ.	Max.	
I_{EE}	Power Supply Current ⁽²⁾	—	35	40	—	35	40	—	35	40	mA
V_{OH}	Output HIGH Voltage ⁽³⁾	-1135	-1010	-0885	-1070	-0945	-0820	-1010	-0885	-0760	mV
V_{OL}	Output LOW Voltage ⁽³⁾	-1950	-1810	-1685	-1950	-1745	-1620	-1950	-1685	-1560	mV
V_{IH}	Input HIGH Voltage	-1210	—	-0885	-1145	—	-0820	-1085	—	-0760	mV
V_{IL}	Input LOW Voltage	-1935	—	-1610	-1870	—	-1545	-1810	—	-1485	mV
V_{IHCMR}	Input HIGH Voltage Common Mode Range ⁽⁴⁾	$V_{EE}+2.0$		0.0	$V_{EE}+2.0$		0.0	$V_{EE}+2.0$		0.0	V
I_{IH}	Input HIGH Current	—	—	150	—	—	150	—	—	150	μA
I_{IL}	Input LOW Current	0.5	—	—	0.5	—	—	0.5	—	—	μA

- Note 1.** 10EP circuits are designed to meet the DC specifications shown in the above table after thermal equilibrium has been established. The circuit is in a test socket or mounted on a printed circuit board and traverse airflow greater than 500lfpm is maintained.
- Note 2.** $V_{CC} = 0V$, $V_{EE} = V_{EE}(\text{min})$ to $V_{EE}(\text{max})$, all other pins floating.
- Note 3.** All loading with 50Ω to $V_{CC} - 2.0V$.
- Note 4.** V_{IHCMR} min varies 1:1 with V_{EE} , max varies 1:1 with V_{CC} .

AC ELECTRICAL CHARACTERISTICS

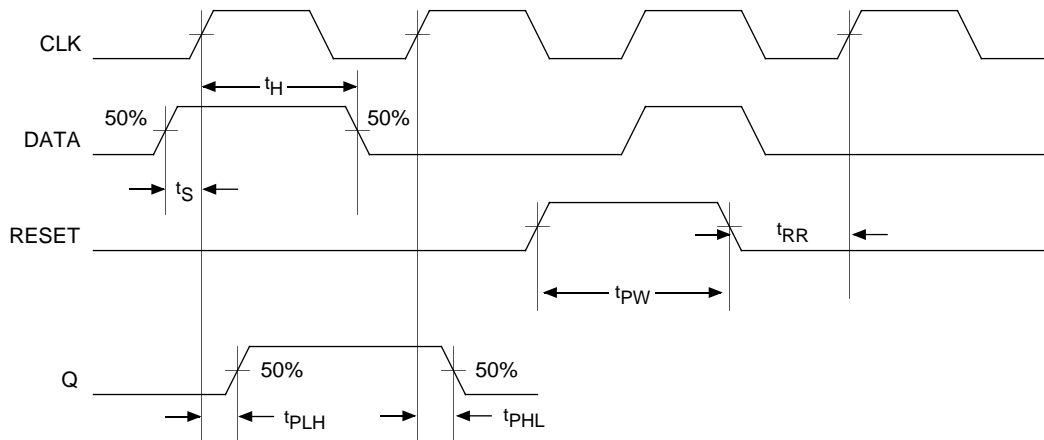
$V_{CC} = 0V$, $V_{EE} = -3.0V$ to $-5.5V$; $V_{CC} = 3.0V$ to $5.5V$, $V_{EE} = 0V^{(1)}$

Symbol	Parameter	$T_A = -40^\circ C$			$T_A = +25^\circ C$			$T_A = +85^\circ C$			Unit
		Min.	Typ.	Max.	Min.	Typ.	Max.	Min.	Typ.	Max.	
f_{MAX}	Maximum Toggle Frequency ⁽²⁾	3	—	—	3	—	—	3	—	—	GHz
t_{PLH} t_{PHL}	Propagation Delay to Output Differential CLK, /CLK → Q, /Q RESET → Q, /Q	250 260	300 310	350 450	270 210	320 320	370 475	300 280	350 320	420 500	ps
t_{RR}	Reset Recovery	150	—	—	150	—	—	150	—	—	ps
t_S	Setup Time	100	—	—	100	80	—	100	—	—	ps
t_H	Hold Time	100	—	—	100	40	—	100	—	—	ps
t_{PW}	Minimum Pulse Width RESET	500	440	—	500	440	—	500	440	—	ps
t_r t_f	Output Rise/Fall Times Q, /Q (20% to 80%)	70	120	170	80	130	180	100	150	200	ps

Note 1. Measured using 750mV source, 50% duty cycle clock source. All loading with 50Ω to $V_{CC} - 2.0V$.

Note 2. f_{MAX} guaranteed for functionality only. V_{OL} and V_{OH} levels are guaranteed at DC only.

TIMING DIAGRAMS



PRODUCT ORDERING CODE

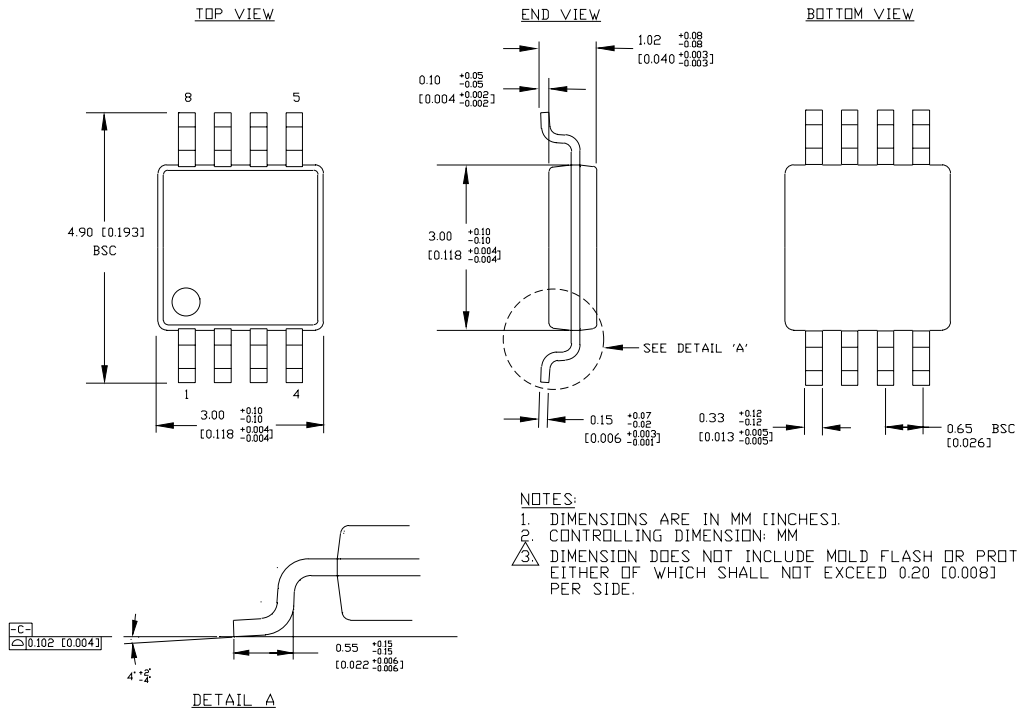
Ordering Code	Package Type	Operating Range	Package Marking
SY10EP51VKC	K8-1	Commercial	HP51
SY10EP51VKCTR ⁽¹⁾	K8-1	Commercial	HP51
SY10EP51VZC	Z8-1	Commercial	HEP51V
SY10EP51VZCTR ⁽¹⁾	Z8-1	Commercial	HEP51V

Ordering Code	Package Type	Operating Range	Package Marking
SY10EP51VKC ⁽²⁾	K8-1	Industrial	HP51
SY10EP51VKCTR ^(1,2)	K8-1	Industrial	HP51
SY10EP51VZC ⁽²⁾	Z8-1	Industrial	HEP51V
SY10EP51VZCTR ^(1,2)	Z8-1	Industrial	HEP51V

Note 1. Tape and Reel.

Note 2. Recommended for new designs.

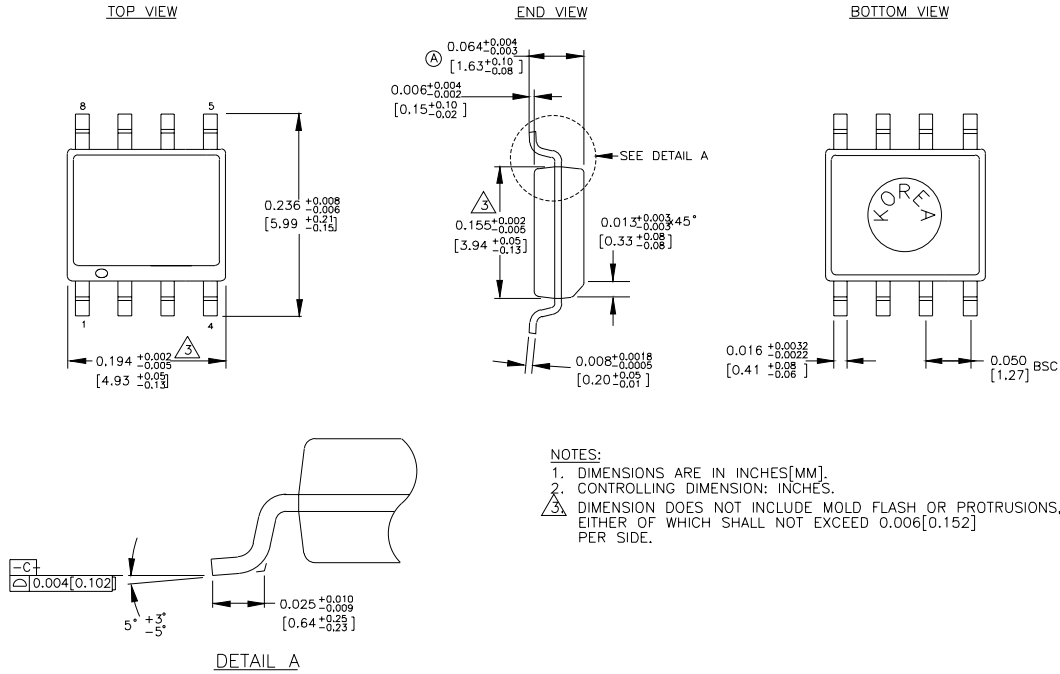
8 LEAD MSOP (K8-1)



NOTES:
 1. DIMENSIONS ARE IN MM [INCHES]
 2. CONTROLLING DIMENSION: MM
 3. DIMENSION DOES NOT INCLUDE MOLD FLASH OR PROTRUSIONS, EITHER OF WHICH SHALL NOT EXCEED 0.20 [0.008] PER SIDE.

Rev. 01

8 LEAD PLASTIC SOIC (Z8-1)



Rev.03

MICREL, INC. 1849 FORTUNE DRIVE SAN JOSE, CA 95131 USA

TEL + 1 (408) 944-0800 FAX + 1 (408) 944-0970 WEB <http://www.micrel.com>

The information furnished by Micrel in this datasheet is believed to be accurate and reliable. However, no responsibility is assumed by Micrel for its use. Micrel reserves the right to change circuitry and specifications at any time without notification to the customer.

Micrel Products are not designed or authorized for use as components in life support appliances, devices or systems where malfunction of a product can reasonably be expected to result in personal injury. Life support devices or systems are devices or systems that (a) are intended for surgical implant into the body or (b) support or sustain life, and whose failure to perform can be reasonably expected to result in a significant injury to the user. A Purchaser's use or sale of Micrel Products for use in life support appliances, devices or systems is at Purchaser's own risk and Purchaser agrees to fully indemnify Micrel for any damages resulting from such use or sale.

© 2003 Micrel, Incorporated.