

General Description

The SY8718A1 is a high efficiency synchronous step-down LED regulator that achieves up to 2.0A output current. It operates at 1MHz and integrates two very low $R_{DS(ON)}$ power switches to minimize and reduce the external components.

It supports the PWM dimming duty 5%-100% to achieve dimmable LED lighting application.

Ordering Information

SY8718 □(□□)□
 □ Temperature Code
 □ Package Code
 □ Optional Spec Code

Ordering Number	Package type	Note
SY8718A1ADC	TSOT23-6	----

Features

- Wide Input Range: 4V-23V
- Up to 2.0A Output Current Capability
- Low $R_{DS(ON)}$ for Internal Switches
High Side/Low Side: 125m Ω / 75m Ω
- Fixed 1MHz Switching Frequency
- Cycle by Cycle 3.5A Peak Current Limit for High Side and 2.5A Valley Current Limit for Low Side
- High Accuracy for Low Dimming Scale
- Output Voltage Discharging
- Over Temperature Protection
- Compact Package: TSOT23-6

Applications

- DVR Or NVR(IP Camera) System Application
- 12VDC Lighting

Typical Applications

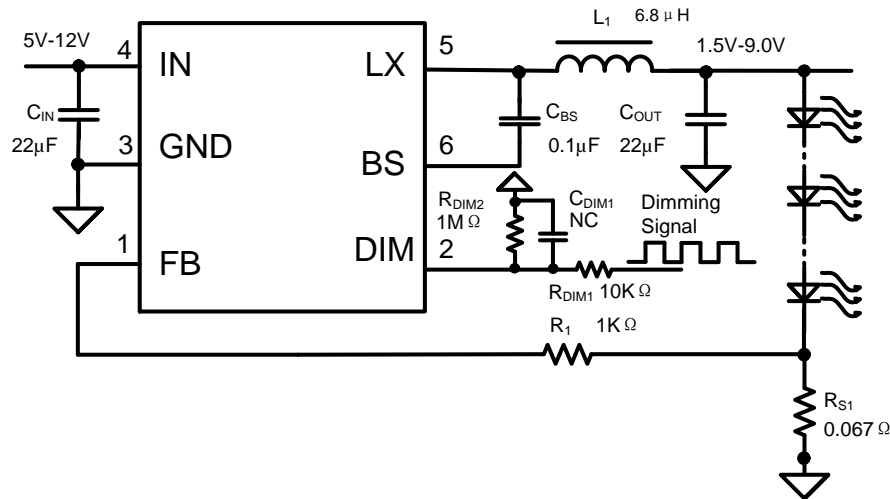
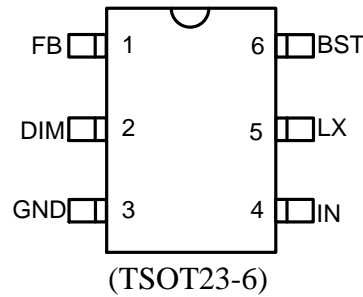


Figure.1 Schematic

Pinout (Top View)



Top Mark: Wr xyz, (Device code: Wr; x=year code, y=week code, z=lot number code)

Pin Name	Pin Number	Pin Description
FB	1	Output current feedback pin. The output current: $I_{OUT} = 0.1V / R_S$
DIM	2	Dimming signal input. The PWM dimming duty range: 5%-100% Support the dimming frequency from 20KHz to 500KHz
GND	3	Ground pin
IN	4	Input supply pin. Decouple this pin to GND pin with a 1 μ F ceramic cap
LX	5	Switching node pin. Connect this pin to the inductor
BST	6	Boot-strap pin. Supply for top side gate driver. Decouple this pin to LX with a 0.1 μ F ceramic cap

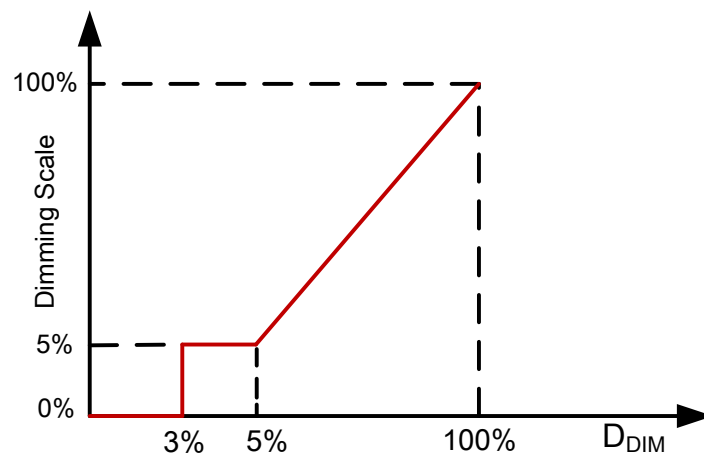


Figure.2 Ideal dimming curve of SY8718A1

Block Diagram

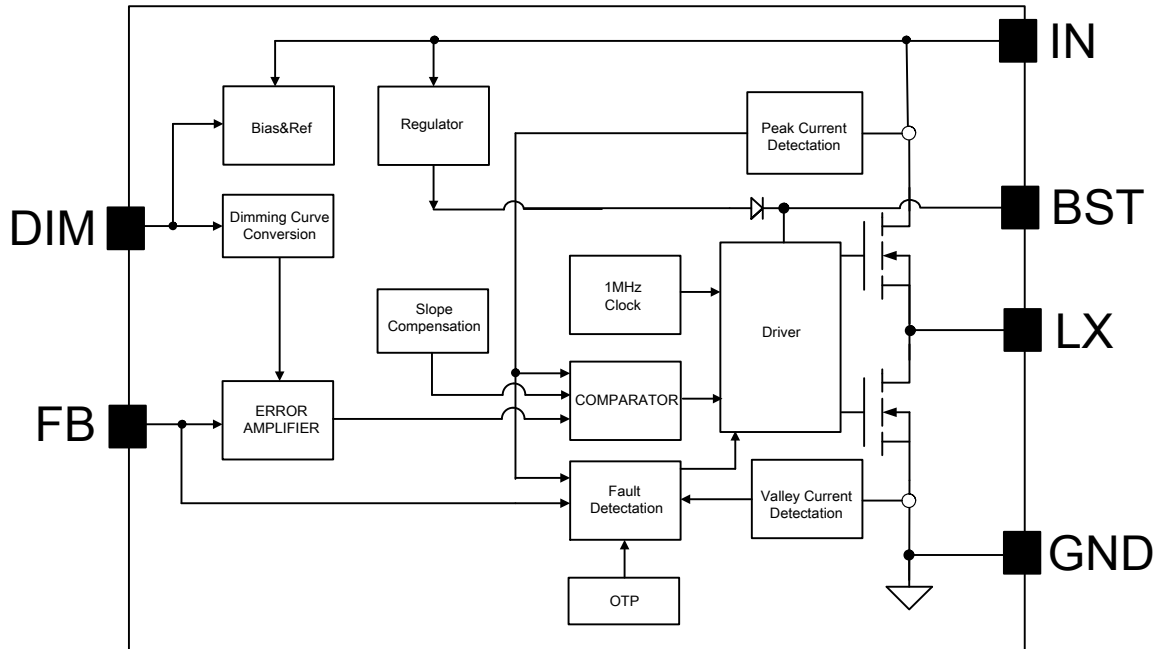


Figure.3 Functional Block Diagram

Absolute Maximum Ratings (Note 1)

IN, DIM, FB	-----	-0.3V to 25V
LX	-----	-0.3V (*1) to 25V (*2)
BST-LX	-----	-0.3V to 4V
Power Dissipation, PD @ TA = 25°C TSOT23-6	-----	1.5W
Package Thermal Resistance (Note 2)		
Θ_{JA}	-----	66°C/W
Θ_{JC}	-----	15°C/W
Junction Temperature Range	-----	-40°C to 150°C
Lead Temperature (Soldering, 10 sec.)	-----	260°C
Storage Temperature Range	-----	-65°C to 150°C

(*1) LX Voltage tested down to -3V<20ns

(*2) LX Voltage tested up to +25V<20ns

Recommended Operating Conditions (Note 3)

Supply Voltage IN	-----	4V to 23V
Junction Temperature Range	-----	-40°C to 125°C

Electrical Characteristics

($V_{IN} = 12V$, $V_{OUT} = 1.5V$, $I_{OUT} = 2.0A$ $T_A = 25^\circ C$ unless otherwise specified)

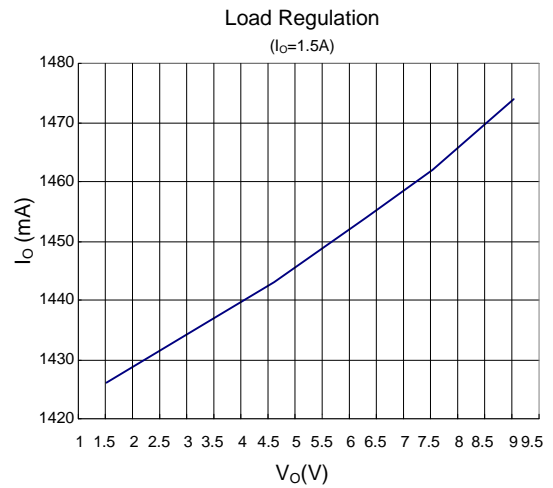
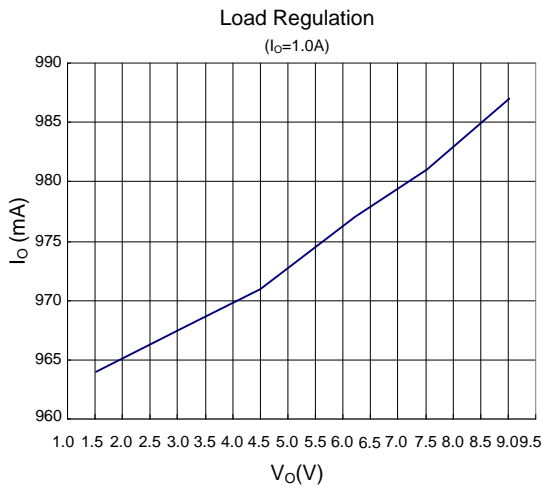
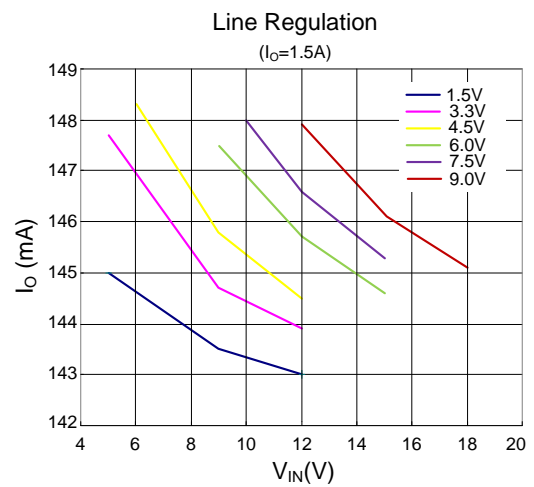
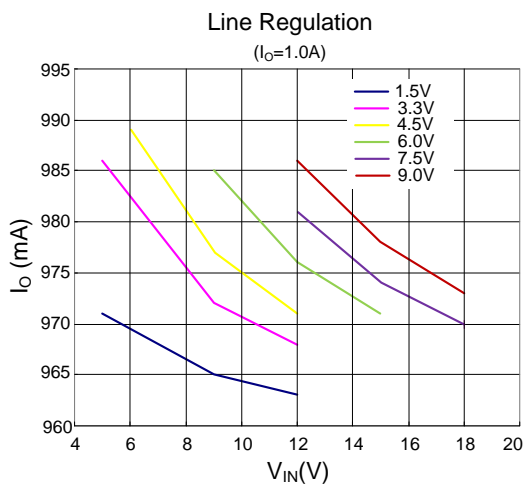
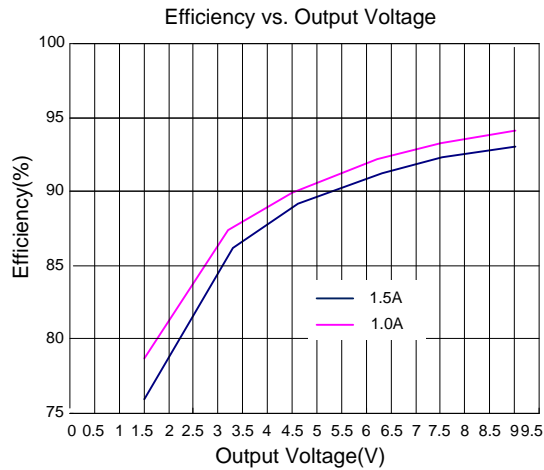
Parameter	Symbol	Test Conditions	Min	Typ	Max	Unit
IN Pin						
Input Voltage Range	V_{IN}		4.0		23.0	V
IN UVLO Rising Threshold	V_{UVLO}		3.5		4.0	V
UVLO Hysteresis	V_{UVLO_HYS}			0.2		V
Quiescent Current	I_Q	$V_{DIM}=2V$, $V_{FB}=0.105V$		2.5		mA
FB Pin						
Feedback Reference Voltage	V_{FB}	$D_{DIM}=100\%$, $V_{IN}=12V$, $V_{OUT}=2.0V$, $I_{OUT}=1.0A$	96	99	102	mV
		$D_{DIM}=100\%$, $V_{IN}=12V$, $V_{OUT}=8.0V$, $I_{OUT}=1.0A$	98	101	104	mV
Feedback Min Reference Voltage	V_{FB_MIN}	$D_{DIM}=5\%$	3	5	7	mV
Integrated Power Switches						
High Side FET $R_{DS(ON)}$	$R_{DS(ON)1}$			125		m Ω
High Side FET Peak Current Limit	I_{LIM_HIGH}	$T_{ON} < 300ns$		3.5		A
Low Side FET $R_{DS(ON)}$	$R_{DS(ON)2}$			75		m Ω
Low Side FET Valley Current Limit	I_{LIM_LOW}			2.5		A
DIM Pin						
PWM Dimming Duty Range	D_{DIM}		5%		100%	
Dimming ON Threshold	V_{DIM_ON}				1.5	V
Dimming OFF Threshold	V_{DIM_OFF}		0.4			V
BST Pin						
Bias Voltage For High FET Driver	V_{BST_LX}	$4V \leq V_{IN} \leq 23V$		3		V
Operating Frequency	F_S		0.8	1.0	1.2	MHz
Min ON Time	T_{ON_MIN}			80		ns
Max Duty Cycle	D_{MAX}		89%	92%		
Thermal Shut Down						
Thermal Shutdown Temperature	T_{SD}			150		$^\circ C$
Thermal Shutdown Hysteresis	T_{HYS}			15		$^\circ C$

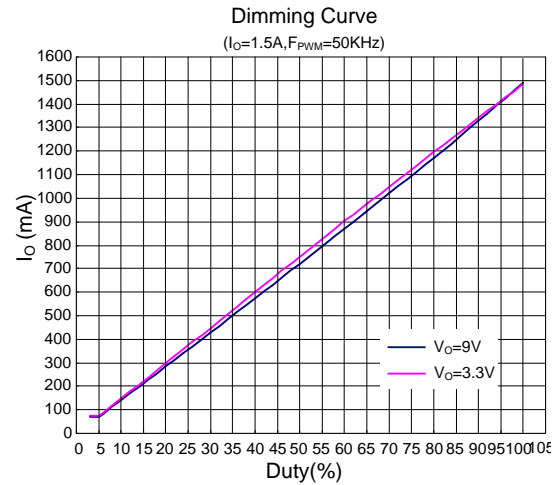
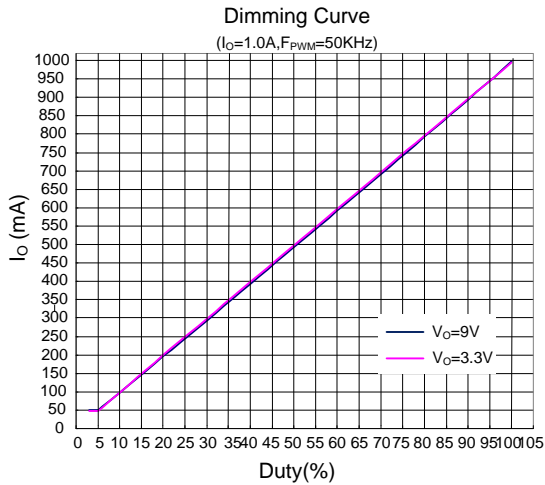
Note 1: Stresses beyond the “Absolute Maximum Ratings” may cause permanent damage to the device. These are stress ratings only. Functional operation of the device at these or any other conditions beyond those indicated in the operational sections of the specification is not implied. Exposure to absolute maximum rating conditions for extended periods may affect device reliability.

Note 2: θ_{JA} is measured in the natural convection at $T_A = 25^\circ C$ on a low effective single layer thermal conductivity test board of JEDEC 51-3 thermal measurement standard. Test condition: Device mounted on 2” x 2” FR-4 substrate PCB, 2oz copper, with minimum recommended pad on top layer and thermal vias to bottom layer ground plane.

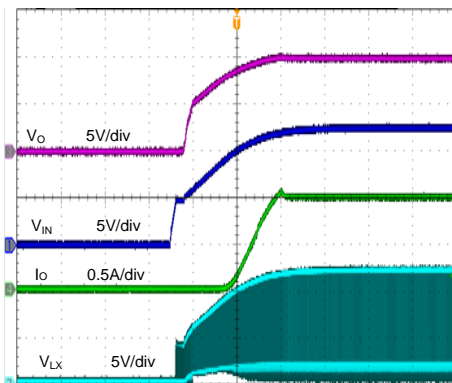
Note 3: The device is not guaranteed to function outside its operating conditions.

Typical Operation Characteristics



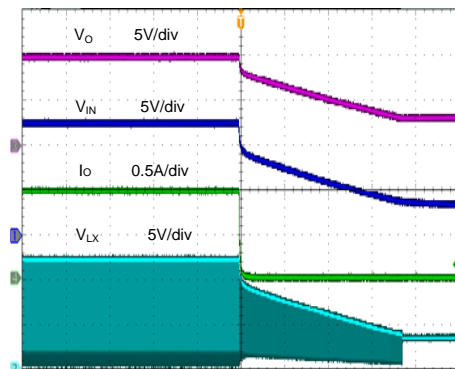


Startup



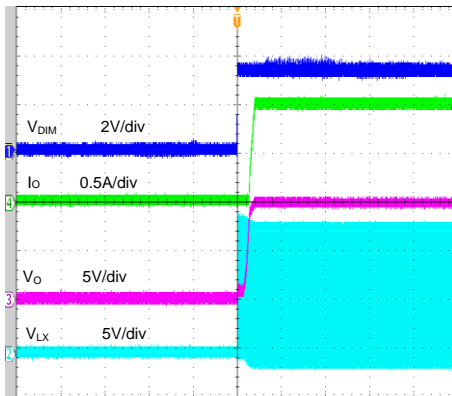
Time (2ms/div)

Shutdown



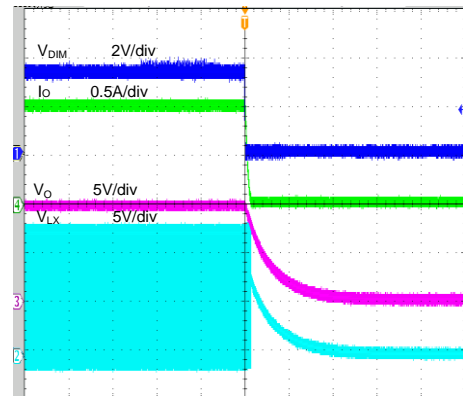
Time (20ms/div)

DIM ON



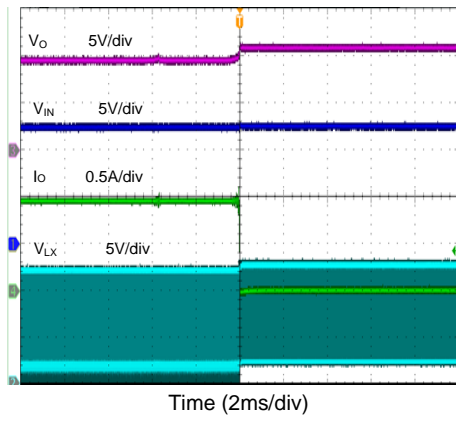
Time (2ms/div)

DIM OFF

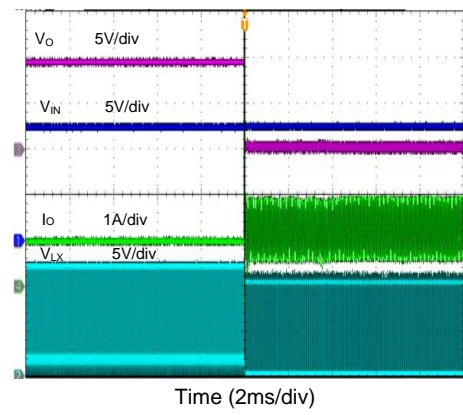


Time (2ms/div)

Open LED Test



Short LED Test



Operation

The SY8718A1 is a 23V and up to 2A constant output current capability synchronous buck regulator IC that integrates two very low $R_{DS(ON)}$ power switches to minimize the switching transition loss and conduction loss. The high switching frequency is used to minimize the external inductor and capacitor size to reduce the cost and simplify the design. It supports the PWM dimming duty from 5%-100% for DIM pin to achieve dimmable LED lighting application.

Application Information

It is rather simple to design the power circuit because of the high integration of SY8718A1.

Current Sensing Resistor R_{S1}

Choose the proper R_{S1} to program the output current I_{OUT}

$$R_{S1} = \frac{0.1V}{I_{OUT}} \quad (1)$$

To prevent the FB pin from damaging caused by output abruptly shorted, the R_1 is needed.

Input Capacitor C_{IN}

The ripple current through input capacitor is calculated as:

$$I_{CIN_RMS} = I_{OUT} \times \sqrt{D \times (1-D)} \quad (2)$$

A typical X7R or better grade ceramic capacitor with suitable capacitance should be chosen to handle this ripple current well. To minimize the potential noise problem, place this ceramic capacitor really close to the IN and GND pins. Caution should be taken to minimize the loop area formed by C_{IN} and IN/GND pin.

Output Capacitor C_{OUT}

The output capacitor is selected to improve the loop stability and handle the output current ripple noise requirements. For the best performance, it is recommended to use a X7R or better grade ceramic capacitor greater than 10uF capacitance.

Main Inductor L_1

There are several considerations in choosing this inductor.

- 1) Select the proper inductance to ensure the loop stability.

- 2) It is suggested to choose the ripple current to be about 40% of the maximum output current as long as the loop stability allows. The inductance is calculated as:

$$L_1 = \frac{V_{OUT} \times (1 - \frac{V_{OUT}}{V_{IN,MAX}})}{F_s \times I_{OUT,MAX} \times 40\%} \quad (3)$$

Where F_s is the switching frequency and $I_{OUT,MAX}$ is the full scale LED current.

- 2) The saturation current rating of the inductor must be selected to be greater than the peak inductor current under full load conditions.

$$I_{SAT,MIN} > I_{OUT,MAX} + \frac{V_{OUT} \times (1 - \frac{V_{OUT}}{V_{IN,MAX}})}{2 \times F_s \times L_1} \quad (4)$$

Boot-strap Capacitor C_{BST}

This capacitor provides the gate driver voltage for internal high side MOSEFET. A low ESR more than 100nF ceramic capacitor connected between BST pin and LX pin is recommended.

Dimming Performance

The DIM pin is used to regulate output current by the PWM signal, which supports the frequency from 20KHz to 500KHz. The logic high voltage is 1.5V and the logic low voltage is 0.4V. Only the PWM duty of DIM that is more than 5% can turn on LED, the PWM duty of DIM that is lower than 3% will turn off the LED. The DIM duty from 5% to 100%, the output current will be 5%-100%, the ideal dimming curve shows as figure 2.

Layout

For the best efficiency and minimum noise problems,

- 1) It is desirable to maximize the PCB copper area connecting to GND pin to achieve the best thermal and noise performance. If the board space allowed, a ground plane is highly desirable.
- 2) C_{IN} must be close to the pins IN and GND. The loop area formed by C_{IN} and GND must be minimized.
- 3) The PCB copper area associated with LX pin must be minimized to avoid the potential noise problem.
- 4) The FB pin must not be adjacent to the LX line on the PCB layout to avoid the noise problem.

The recommended layout of SY8718A1 shows as figure 4

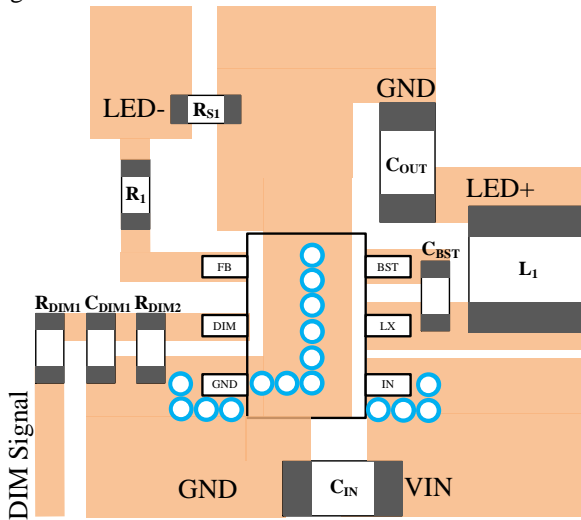
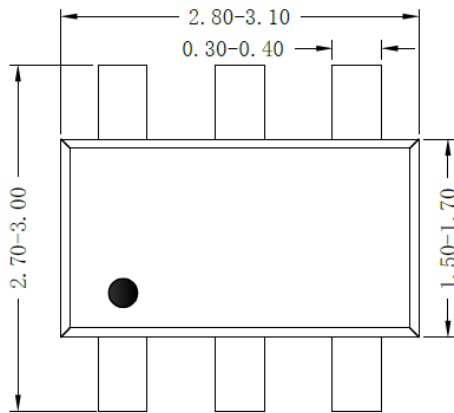
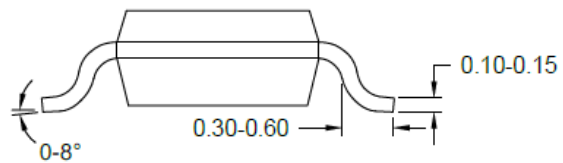


Figure.4 Recommended PCB Layout

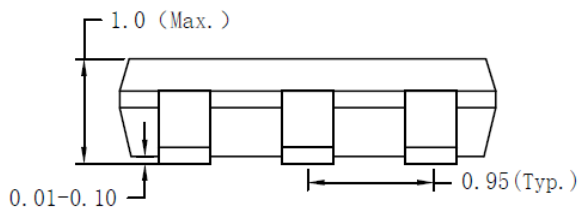
TSOT23-6 Package outline & PCB layout



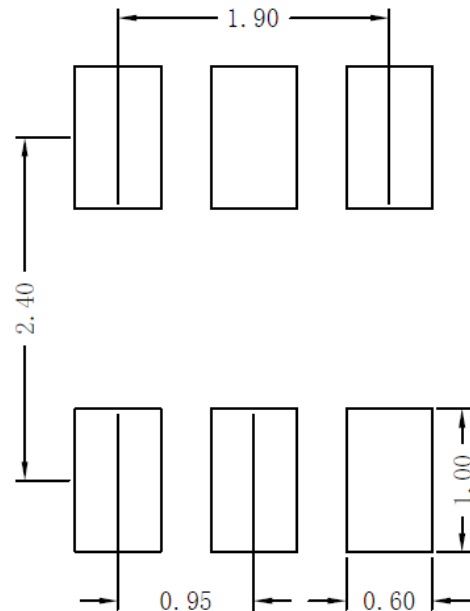
Top view



Side view



Front view



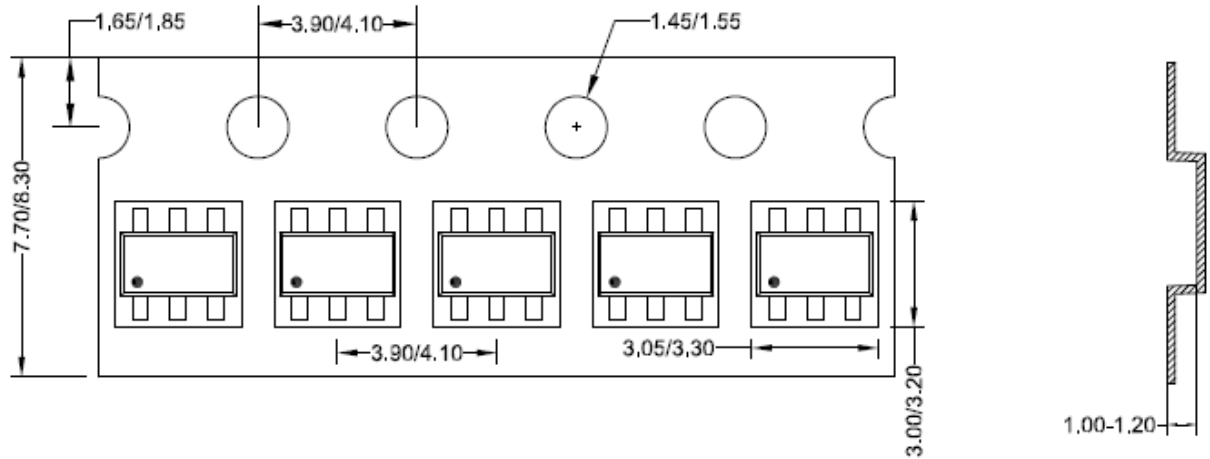
Recommended Pad Layout

Notes: All dimension in millimeter and exclude mold flash & metal burr.

Taping & Reel Specification

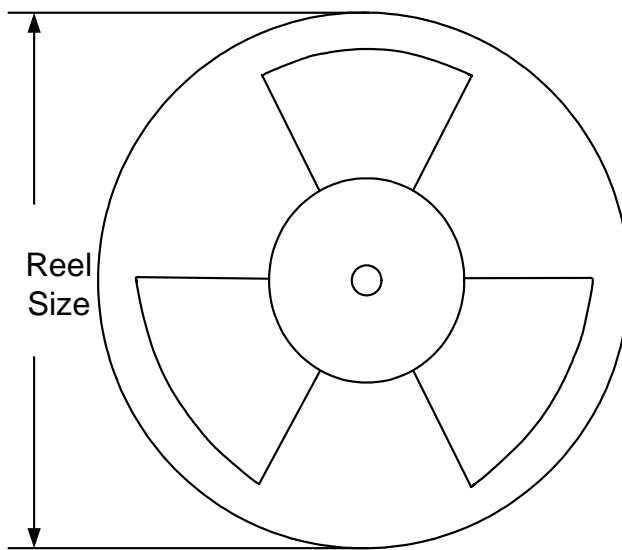
1. Taping orientation

TSOT23-6



Feeding direction →

2. Carrier Tape & Reel specification for packages



Package type	Tape width (mm)	Pocket pitch(mm)	Reel size (Inch)	Trailer length(mm)	Leader length (mm)	Qty per reel
TSOT23-6	8	4	7	400	160	3000

3. Others: NA



Revision History

The revision history provided is for informational purpose only and is believed to be accurate, however, not warranted. Please make sure that you have the latest revision.

Date	Revision	Change
September 5, 2018	Revision 0.9	Initial Release



IMPORTANT NOTICE

1. **Right to make changes.** Silergy and its subsidiaries (hereafter Silergy) reserve the right to change any information published in this document, including but not limited to circuitry, specification and/or product design, manufacturing or descriptions, at any time and without notice. This document supersedes and replaces all information supplied prior to the publication hereof. Buyers should obtain the latest relevant information before placing orders and should verify that such information is current and complete. All semiconductor products are sold subject to Silergy's standard terms and conditions of sale.
2. **Applications.** Application examples that are described herein for any of these products are for illustrative purposes only. Silergy makes no representation or warranty that such applications will be suitable for the specified use without further testing or modification. Buyers are responsible for the design and operation of their applications and products using Silergy products. Silergy or its subsidiaries assume no liability for any application assistance or designs of customer products. It is customer's sole responsibility to determine whether the Silergy product is suitable and fit for the customer's applications and products planned. To minimize the risks associated with customer's products and applications, customer should provide adequate design and operating safeguards. Customer represents and agrees that it has all the necessary expertise to create and implement safeguards which anticipate dangerous consequences of failures, monitor failures and their consequences, lessen the likelihood of failures that might cause harm and take appropriate remedial actions. Silergy assumes no liability related to any default, damage, costs or problem in the customer's applications or products, or the application or use by customer's third-party buyers. Customer will fully indemnify Silergy, its subsidiaries, and their representatives against any damages arising out of the use of any Silergy components in safety-critical applications. It is also buyers' sole responsibility to warrant and guarantee that any intellectual property rights of a third party are not infringed upon when integrating Silergy products into any application. Silergy assumes no responsibility for any said applications or for any use of any circuitry other than circuitry entirely embodied in a Silergy product.
3. **Limited warranty and liability.** Information furnished by Silergy in this document is believed to be accurate and reliable. However, Silergy makes no representation or warranty, expressed or implied, as to the accuracy or completeness of such information and shall have no liability for the consequences of use of such information. In no event shall Silergy be liable for any indirect, incidental, punitive, special or consequential damages, including but not limited to lost profits, lost savings, business interruption, costs related to the removal or replacement of any products or rework charges, whether or not such damages are based on tort or negligence, warranty, breach of contract or any other legal theory. Notwithstanding any damages that customer might incur for any reason whatsoever, Silergy' aggregate and cumulative liability towards customer for the products described herein shall be limited in accordance with the Standard Terms and Conditions of Sale of Silergy.
4. **Suitability for use.** Customer acknowledges and agrees that it is solely responsible for compliance with all legal, regulatory and safety-related requirements concerning its products, and any use of Silergy components in its applications, notwithstanding any applications-related information or support that may be provided by Silergy. Silergy products are not designed, authorized or warranted to be suitable for use in life support, life-critical or safety-critical systems or equipment, nor in applications where failure or malfunction of an Silergy product can reasonably be expected to result in personal injury, death or severe property or environmental damage. Silergy assumes no liability for inclusion and/or use of Silergy products in such equipment or applications and therefore such inclusion and/or use is at the customer's own risk.
5. **Terms and conditions of commercial sale.** Silergy products are sold subject to the standard terms and conditions of commercial sale, as published at <http://www.silergy.com/stdterms>, unless otherwise agreed in a valid written individual agreement specifically agreed to in writing by an authorized officer of Silergy. In case an individual agreement is concluded only the terms and conditions of the respective agreement shall apply. Silergy hereby expressly objects to and denies the application of any customer's general terms and conditions with regard to the purchase of Silergy products by the customer.
6. **No offer to sell or license.** Nothing in this document may be interpreted or construed as an offer to sell products that is open for acceptance or the grant, conveyance or implication of any license under any copyrights, patents or other industrial or intellectual property rights. Silergy makes no representation or warranty that any license, either express or implied, is granted under any patent right, copyright, mask work right, or other intellectual property right. Information published by Silergy regarding third-party products or services does not constitute a license to use such products or services or a warranty or endorsement thereof. Use of such information may require a license from a third party under the patents or other intellectual property of the third party, or a license from Silergy under the patents or other intellectual property of Silergy.

For more information, please visit: www.silergy.com

© 2018 Silergy Corp.

All Rights Reserved.