

Surface Mount Frequency Mixer

Level 13 (LO Power +13 dBm) 40 to 2500 MHz

SYM-25DMHW+ SYM-25DMHW



CASE STYLE: TTT167
PRICE: \$8.95 ea. QTY (10-49)

+ RoHS compliant in accordance with EU Directive (2002/95/EC)

The +Suffix identifies RoHS Compliance. See our web site for RoHS Compliance methodologies and qualifications.

Maximum Ratings

Operating Temperature	-40°C to 85°C
Storage Temperature	-55°C to 100°C
RF Power	200mW
IF Current	40mA

Pin Connections

LO	2
RF	1
IF	3
GROUND	4,5,6

Features

- wideband, 40 to 2500 MHz
- low conversion loss, 6.6 dB typ.
- high IP3, 26 dBm typ.
- IF response to DC

Applications

- cellular
- PCS
- satellite distribution

Electrical Specifications

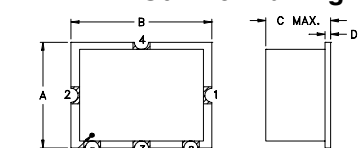
FREQUENCY (MHz)	CONVERSION LOSS* (dB)	LO-RF ISOLATION (dB)			LO-IF ISOLATION (dB)			IP3 at center band (dBm)										
		L	M	U	L	M	U											
40-2500	DC-1000*	6.6	.10	8.0	9.0	47	32	37	27	35	22	38	28	35	25	38	20	26

1 dB COMP.: +9 dBm typ.
*Conversion loss increases up to 6 dB higher as IF frequency decreases from 5MHz to DC.
L = low range [f_l to $10 f_l$]
M = mid band [$2 f_l$ to $f_u/2$]
U = upper range [$f_u/2$ to f_u]

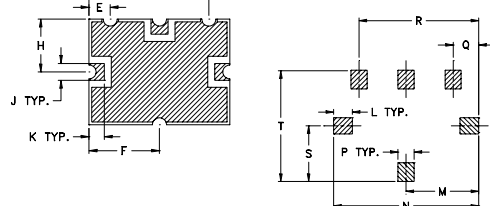
Typical Performance Data

Frequency (MHz)	Conversion Loss (dB)	Isolation L-R (dB)	Isolation L-I (dB)	VSWR RF Port (:1)	VSWR LO Port (:1)	
						LO +13dBm
10.10	80.10	6.05	53.30	37.85	1.14	1.50
100.10	170.10	6.13	61.96	37.66	1.14	1.48
200.10	270.10	6.20	57.62	37.58	1.17	1.45
400.10	470.10	6.17	51.91	37.25	1.28	1.42
644.24	714.24	6.32	48.85	36.97	1.49	1.26
805.62	875.62	6.34	44.29	34.60	1.70	1.20
1000.10	1070.10	6.49	40.91	34.12	2.01	1.11
1209.07	1279.07	6.72	36.71	32.67	2.27	1.04
1451.13	1521.13	6.87	35.32	33.07	2.79	1.08
1500.10	1570.10	6.99	35.51	33.59	2.90	1.11
1612.51	1682.51	6.98	36.55	34.68	2.94	1.18
1854.58	1924.58	7.66	35.12	37.81	2.52	1.35
2000.10	2070.10	8.04	33.74	39.74	2.41	1.47
2177.34	2247.34	8.02	32.04	37.96	2.21	1.59
2258.03	2328.03	8.00	31.23	35.83	2.14	1.65
2419.41	2489.41	7.92	30.39	32.11	2.09	1.85
2500.10	2430.10	7.67	29.98	30.34	1.82	2.00

Outline Drawing



PCB Land Pattern

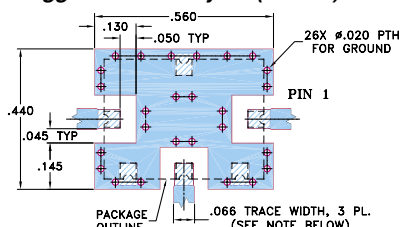


Suggested Layout, Tolerance to be within ±.002

Outline Dimensions (inch)

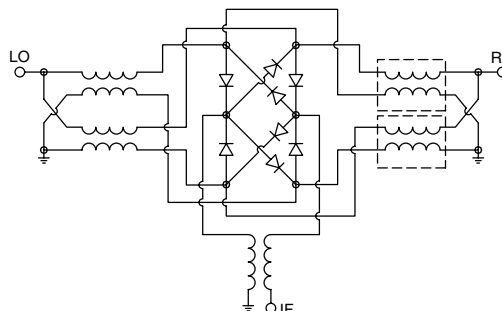
A	B	C	D	E	F	G	H	J	K	L	M	N	P	Q	R	S	T	Wt.
.375	.500	.23	.020	.075	.250	.425	.187	.050	.050	.070	.270	.540	.060	.095	.445	.208	.415	grams
9.53	12.70	5.84	0.51	1.91	6.35	10.80	4.75	1.27	1.27	1.78	6.86	13.72	1.52	2.41	11.30	5.28	10.54	0.8

Demo Board MCL P/N: TB-12 Suggested PCB Layout (PL-079)



1. TRACE WIDTH IS SHOWN FOR ROGERS RO4350B WITH DIELECTRIC THICKNESS .030" ± .002". COPPER: 1/2 OZ. EACH SIDE. FOR OTHER MATERIALS TRACE WIDTH MAY NEED TO BE MODIFIED.
 2. GROUND PAD SHALL BE FREE OF SOLDER MASK IF REQUIRED FOR SOLDERING.
 3. BOTTOM SIDE OF THE PCB IS CONTINUOUS GROUND PLANE.
- DENOTES PCB COPPER LAYOUT WITH SMOBC (SOLDER MASK OVER BARE COPPER), SEE NOTE 2.
■ DENOTES COPPER LAND PATTERN FREE OF SOLDER MASK

Electrical Schematic



INTERNET <http://www.minicircuits.com>

P.O. Box 350166, Brooklyn, New York 11235-0003 (718) 934-4500 Fax (718) 332-4661

Distribution Centers NORTH AMERICA 800-654-7949 • 417-335-5935 • Fax 417-335-5945 • EUROPE 44-1252-832600 • Fax 44-1252-837010

Mini-Circuits ISO 9001 & ISO 14001 Certified



www.DataSheet4U.com

REV. C
M98898
SYM-20DMHW
DJ/TD/CP/AM
060717
Page 1 of 2

SYM-25DMHW+ SYM-25DMHW

Performance Charts

