

## Power Zener Diodes

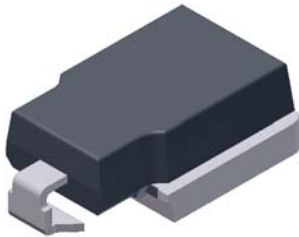
### Features and Benefits

- DC blocking voltage,  $V_{DC}$ , 22 to 32 V
- Low  $V_F$  (0.95 to 1.0 V max, at  $I_F = 6$  A)
- Low reverse leakage current,  $I_R = 10 \mu A$
- High temperature range
- Flammability: UL94V-0 (Equivalent)

### Applications

- High peak power
- High-temperature
- Clamping diode
- General use Zener diode

### Package: Surface Mount SZ-10

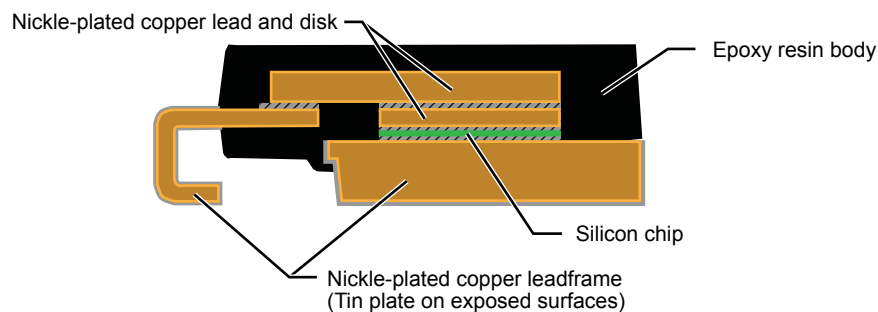


*Not to scale*

### Description

The SZ-10 series are 22 V and 32 V Zener diodes capable of withstanding high peak power surges. The resin case and substantial mounting surfaces allow substantial heat dissipation, and operating temperatures up to  $T_J = 175^\circ C$ , facilitating heat-dissipation design.

### Product Structure



## Selection Guide

Part Number	Permissible Power Dissipation, $P_D$ (W)	DC Blocking Voltage, $V_{DC}$ (V)	Peak Surge Reverse Current, $I_{RSM}$ (A)	Forward Voltage, $V_F(\max)$ (V)	Breakdown Voltage, $V_Z$ (V)	Breakdown Region Equivalent Resistance, $R_Z(\text{typ})$ (V)	Tape and Reel Packing
SZ-10N27VL	5	22	70	1.0	24 to 30	0.08	Cathode Left
SZ-10N40VL	5	32	45	1.0	36 to 44	0.2	Cathode Left
SZ-10NN27VL	6	22	90	0.98	24 to 30	0.08	Cathode Left
SZ-10NN40VL	6	32	70	0.95	36 to 44	0.1	Cathode Left

## Absolute Maximum Ratings

Characteristic	Symbol	Conditions	Rating	Unit	
Permissible Power Dissipation	$P_D$	SZ-10N27 SZ-10N40	See Power Derating chart	5	W
		SZ-10NN27 SZ-10NN40	See Power Derating chart	6	W
DC Blocking Voltage	$V_{DC}$	SZ-10N27 SZ-10NN27		22	V
		SZ-10N40 SZ-10NN40		32	V
Peak Surge Reverse Current	$I_{RSM}$	SZ-10N27 SZ-10NN40	Refer to figure 1	70	A
		SZ-10N40		45	A
		SZ-10NN27		90	A
Junction Temperature	$T_J$		-55 to 175	°C	
Storage Temperature	$T_{stg}$		-55 to 175	°C	

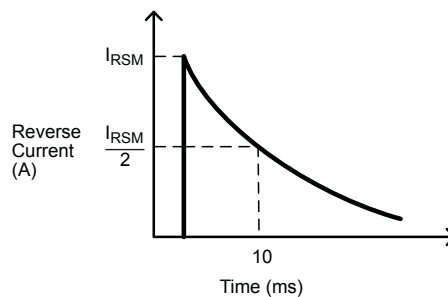
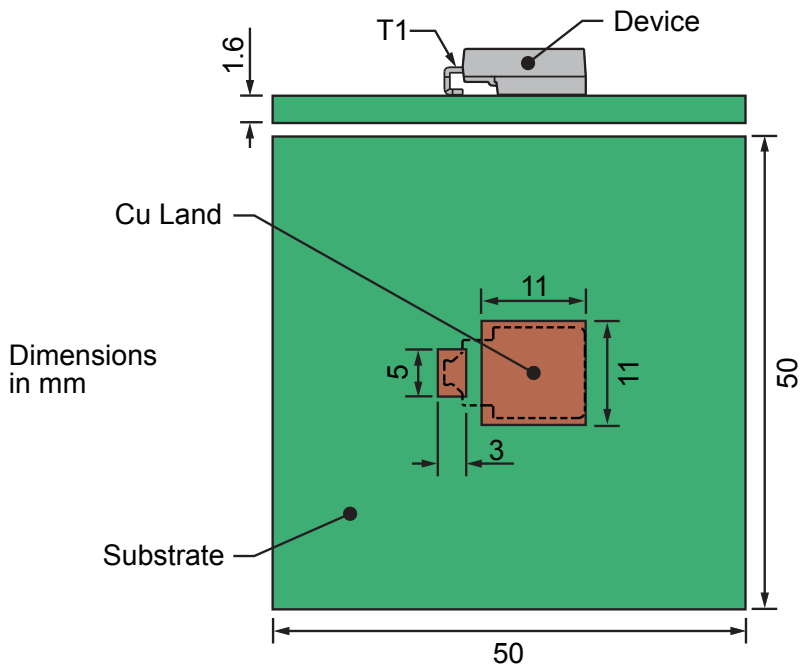
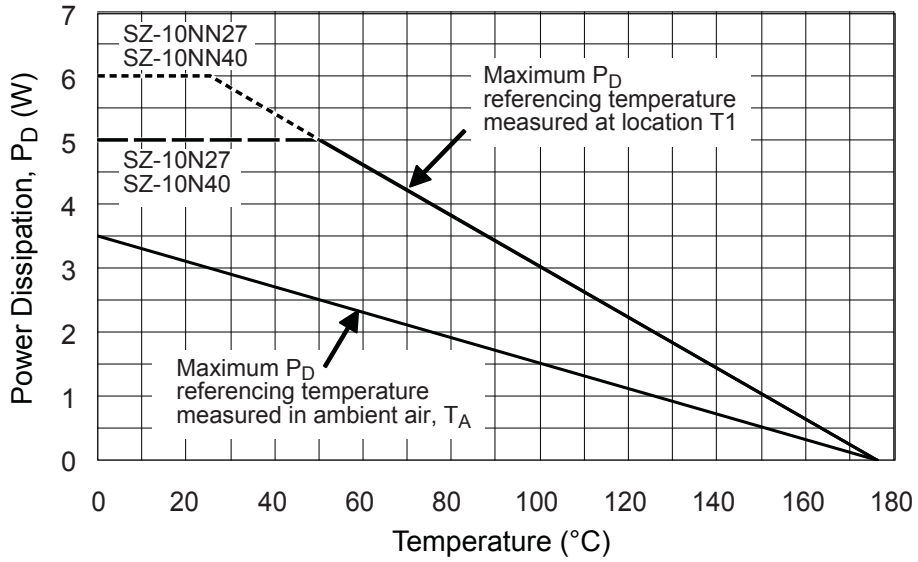


Figure 1. Waveform of reverse current surge

Electrical Characteristics valid at  $T_A = 25^\circ\text{C}$ , unless otherwise specified

Characteristic	Symbol	Test Conditions		Value	Unit
Forward Voltage Drop	$V_F$	SZ-10N27 SZ-10N40	$I_F = 6\text{ A}$	1.0 (max)	V
		SZ-10NN27		0.98 (max)	V
		SZ-10NN40		0.95 (max)	V
Reverse Leakage Current	$I_R$	$V_R = V_{DC}$		10 (max)	$\mu\text{A}$
Breakdown Voltage	$V_Z$	SZ-10N27 SZ-10NN27	$I_Z = 10\text{ mA}$	24 to 30	V
		SZ-10N40 SZ-10NN40		36 to 44	V
Breakdown Voltage Temperature Coefficient	$r_Z$		$I_Z = 10\text{ mA}$	36 (typ)	$\text{mV}/^\circ\text{C}$
Breakdown Region Equivalent Resistance	$R_Z$	SZ-10N27 SZ-10NN27	$I_Z = 1\text{ to }10\text{ A}$	0.8 (typ)	$\Omega$
		SZ-10N40		0.2 (typ)	$\Omega$
		SZ-10NN40		0.1 (typ)	$\Omega$

Power Derating



Peak Surge Reverse Power

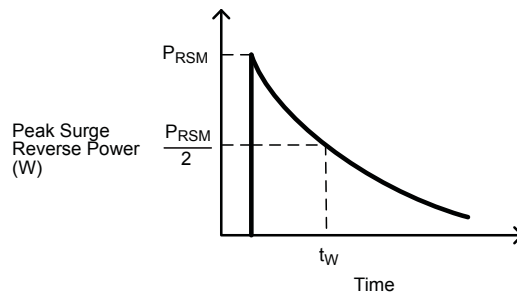
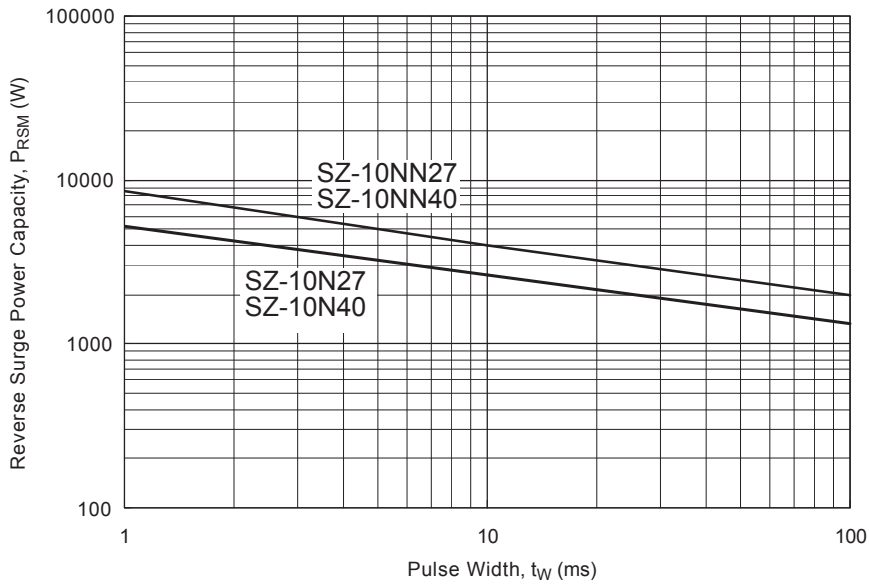
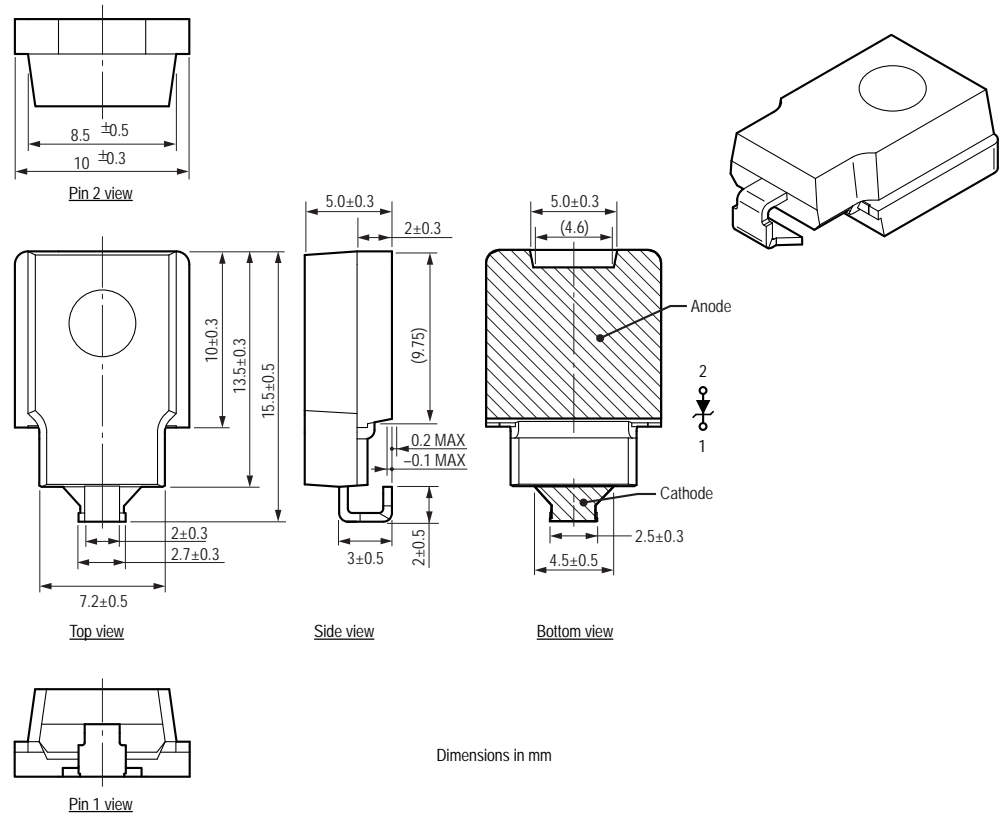
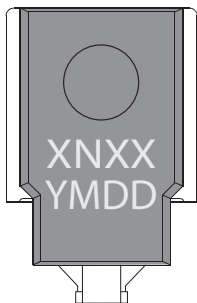


Figure 2. Waveform of reverse power surge

## Package Outline



## Package Marking



1. Product Type Number: xNxx  
(see table)

2. Lot Number:

1st letter: last digit of year  
2nd letter: month

1 through 9 – January through September  
O – October, N – November, D – December

3rd and 4th letters: day of month  
(2 digits)

Example: 3507 indicates May 7, 2013

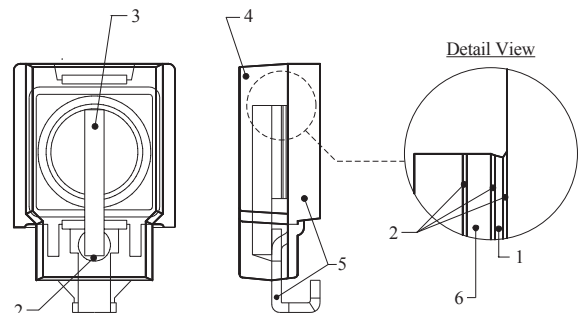
Product Type Number	Abbreviation of
BN27	SZ-10N27
BN40	SZ-10N40
DN27	SZ-10NN27
DN40	SZ-10NN40

## Material Composition and Internal Structure



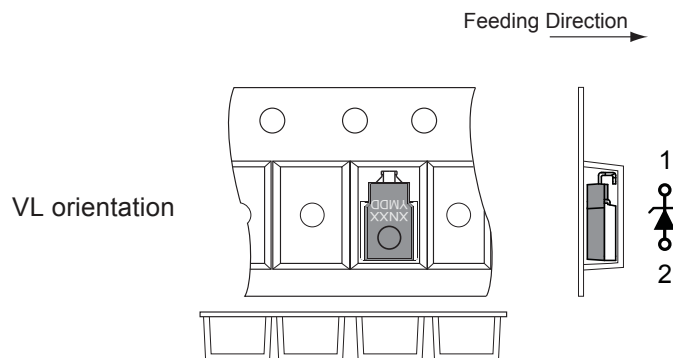
*Pin treatment Pb-free. Device composition compliant with the RoHS directive.*

1. Chip: Si
2. Solder: Pb-based
3. Inside lead: Ni-plated Cu
4. Body: Plastic, epoxy resin
5. Leadframe: Ni-plated Cu, external exposed surfaces Sn plated over
6. Disk: Ni-plated Cu

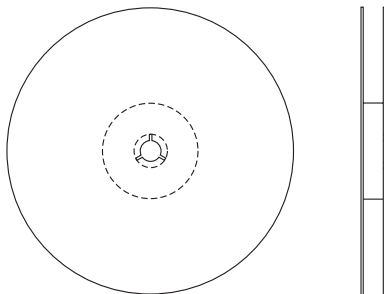


## Packing Options

### Embossed Tape



### Reel



750 pieces per reel

- (1) Device is placed in the embossed pocket with the mounting electrode down.
- (2) 150 to 200 mm leader tape is attached to the tip of the tape.
- (3) 10 or more blank pockets are provided at both the beginning and the end of the tape.

- 
- The contents in this document are subject to changes, for improvement and other purposes, without notice. Make sure that this is the latest revision of the document before use.
  - Application and operation examples described in this document are quoted for the sole purpose of reference for the use of the products herein and Sanken can assume no responsibility for any infringement of industrial property rights, intellectual property rights or any other rights of Sanken or any third party which may result from its use. Unless otherwise agreed in writing by Sanken, Sanken makes no warranties of any kind, whether express or implied, as to the products, including product merchantability, and fitness for a particular purpose and special environment, and the information, including its accuracy, usefulness, and reliability, included in this document.
  - Although Sanken undertakes to enhance the quality and reliability of its products, the occurrence of failure and defect of semiconductor products at a certain rate is inevitable. Users of Sanken products are requested to take, at their own risk, preventative measures including safety design of the equipment or systems against any possible injury, death, fires or damages to the society due to device failure or malfunction.
  - Sanken products listed in this document are designed and intended for the use as components in general purpose electronic equipment or apparatus (home appliances, office equipment, telecommunication equipment, measuring equipment, etc.).

When considering the use of Sanken products in the applications where higher reliability is required (transportation equipment and its control systems, traffic signal control systems or equipment, fire/crime alarm systems, various safety devices, etc.), and whenever long life expectancy is required even in general purpose electronic equipment or apparatus, please contact your nearest Sanken sales representative to discuss, prior to the use of the products herein.

The use of Sanken products without the written consent of Sanken in the applications where extremely high reliability is required (aerospace equipment, nuclear power control systems, life support systems, etc.) is strictly prohibited.

- In the case that you use Sanken products or design your products by using Sanken products, the reliability largely depends on the degree of derating to be made to the rated values. Derating may be interpreted as a case that an operation range is set by derating the load from each rated value or surge voltage or noise is considered for derating in order to assure or improve the reliability. In general, derating factors include electric stresses such as electric voltage, electric current, electric power etc., environmental stresses such as ambient temperature, humidity etc. and thermal stress caused due to self-heating of semiconductor products. For these stresses, instantaneous values, maximum values and minimum values must be taken into consideration.

In addition, it should be noted that since power devices or IC's including power devices have large self-heating value, the degree of derating of junction temperature affects the reliability significantly.

- When using the products specified herein by either (i) combining other products or materials therewith or (ii) physically, chemically or otherwise processing or treating the products, please duly consider all possible risks that may result from all such uses in advance and proceed therewith at your own responsibility.
- Anti radioactive ray design is not considered for the products listed herein.
- Sanken assumes no responsibility for any troubles, such as dropping products caused during transportation out of Sanken's distribution network.
- The contents in this document must not be transcribed or copied without Sanken's written consent.