

ZENER DIODEST-11-13
T-23-05

1W ZENER DIODE - PLASTIC/DO-41

OPERATING AND STORAGE TEMPERATURE -65°C to +175°C

TYPE	Zener Breakdown Voltage	Dynamic Impedances: @ 25°C T _A				Maximum Reverse Current @ Measurement Voltage and °C T _A			Maximum Forward Voltage @ 0.5A	
		V _Z	I _{ZT}	Z _{ZT}	I _{ZK}	Z _{ZK}	V _R	25°C		100°C
		V	mA	Ohms	mA	Ohms	V	μA		μA
SZ100	100	5	600	.25	5000	75	0.5	100	1.0	
SZ110	110	5	750	.25	5000	80	0.5	100	1.0	
SZ115	115	5	750	.25	5000	85	0.5	100	1.0	
SZ120	120	5	850	.25	5000	90	0.5	100	1.0	
SZ130	130	5	1000	.25	5000	95	0.5	100	1.0	
SZ135	135	5	1100	.25	5000	100	0.5	100	1.0	
SZ140	140	5	1200	.25	5000	105	0.5	100	1.0	
SZ150	150	5	1300	.25	5000	110	0.5	100	1.0	
SZ160	160	5	1500	.25	5000	120	0.5	100	1.0	
SZ170	170	5	2200	.25	5000	130	0.5	100	1.0	
SZ180	180	5	2200	.25	5000	140	0.5	100	1.0	
SZ190	190	5	2500	.25	5000	150	0.5	100	1.0	
SZ200	200	5	2500	.25	5000	160	0.5	100	1.0	
SZ300	300	5	5000	.25	9000	260	0.5	100	1.0	
SZ330	330	5	5000	.25	9500	280	0.5	100	1.0	

SURFACE MOUNT DEVICES-RECTIFIERS

OPERATING AND STORAGE TEMPERATURE -65°C to +175°C

TYPE	Maximum Peak Reverse Voltage	Maximum Average Rectified Current @ Half-Wave Resistive Load 60Hz		Maximum Forward Peak Surge Current @ 8.3ms Superimposed	Maximum Reverse Current @ PRV @ 25°C T _A	Maximum Forward Voltage @ 25°C T _A		Maximum Reverse Recovery Time
	PRV	I _o @ T _A		IFM (Surge)	I _R	IFM	V _{FM}	T _{rr}
	V _{PK}	AAV	°C	APK	μA _{dc}	APK	V _{PK}	nS

1.0 AMPERE-GLASS PASSIVATED/SM-1

SSM4001	50	1.0	75	30	5.0	1.0	1.1	-
SSM4002	100	1.0	75	30	5.0	1.0	1.1	-
SSM4003	200	1.0	75	30	5.0	1.0	1.1	-
SSM4004	400	1.0	75	30	5.0	1.0	1.1	-
SSM4005	600	1.0	75	30	5.0	1.0	1.1	-
SSM4006	800	1.0	75	30	5.0	1.0	1.1	-
SSM4007	1000	1.0	75	30	5.0	1.0	1.1	-

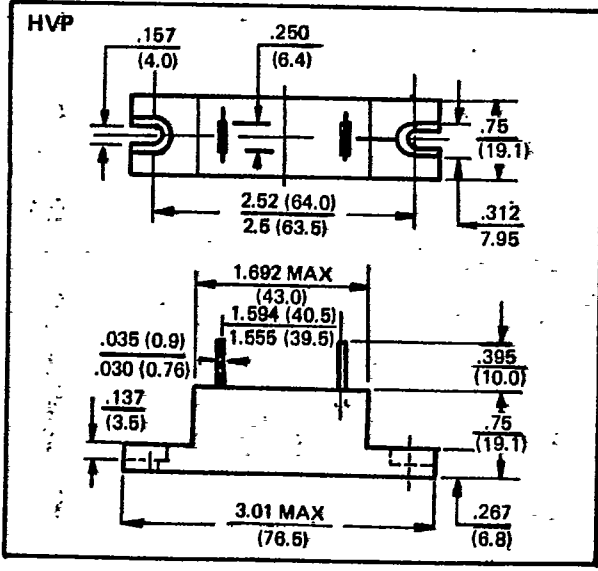
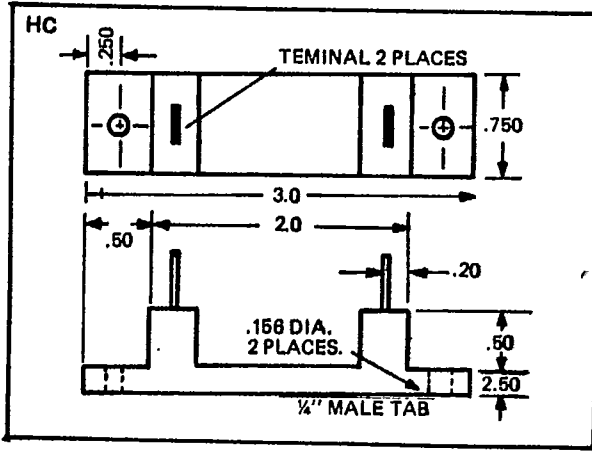
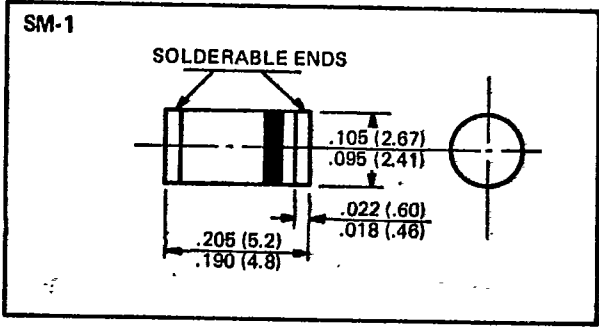
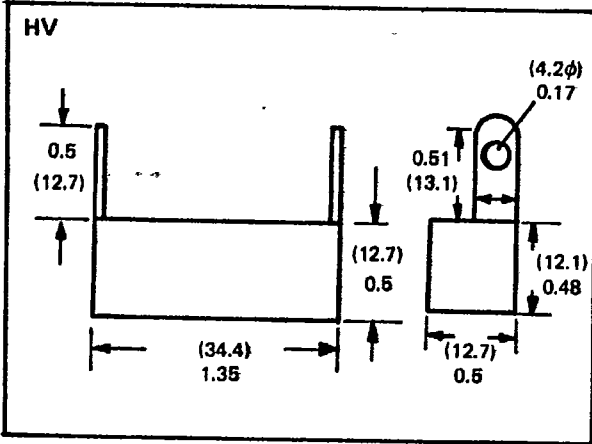
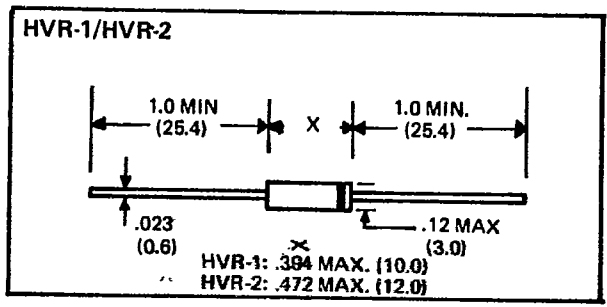
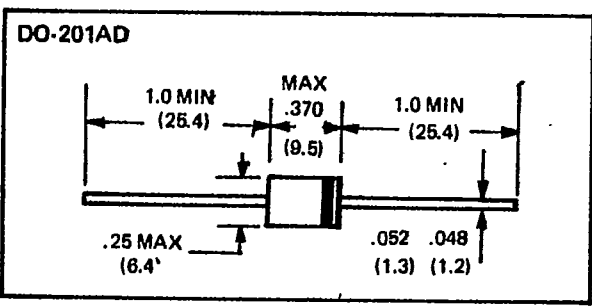
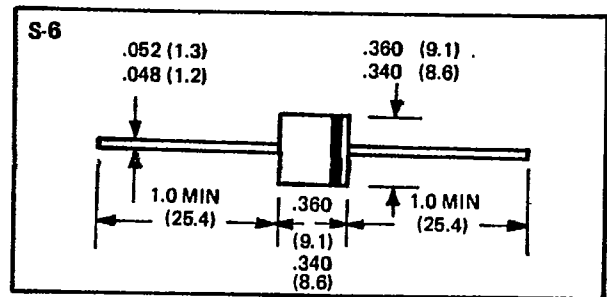
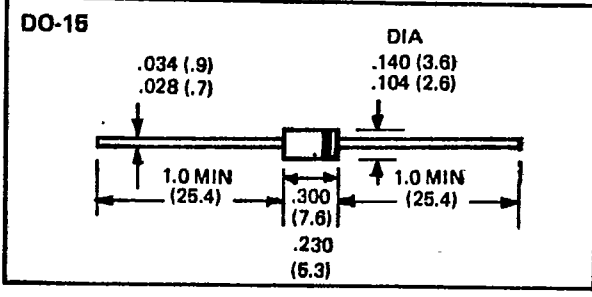
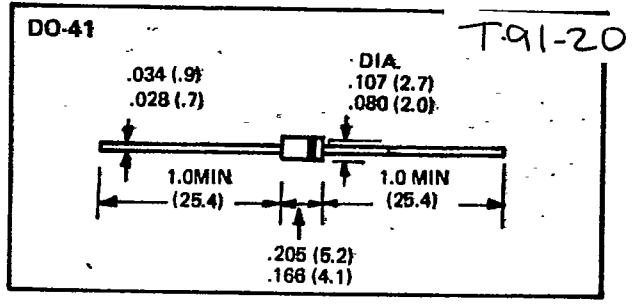
1.0 AMPERE-FAST RECOVERY/SM-1

SSM4933	50	1.0	55	30	5.0	1.0	1.3	*200
SSM4934	100	1.0	55	30	5.0	1.0	1.3	*200
SSM4935	200	1.0	55	30	5.0	1.0	1.3	*200
SSM4936	400	1.0	55	30	5.0	1.0	1.3	*200
SSM4937	600	1.0	55	30	5.0	1.0	1.3	*200

* NOTE: *T_{RR} TEST @ I_F = 1.0A, V_R = 30V

OUTLINE OF RECTIFIERS

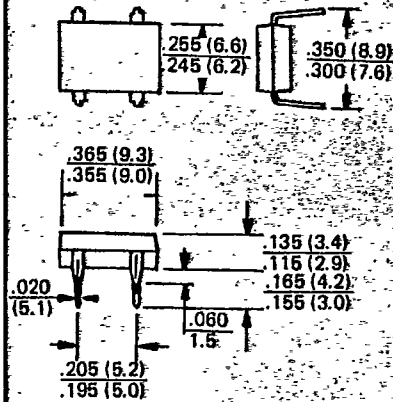
Unit: Inch (mm)



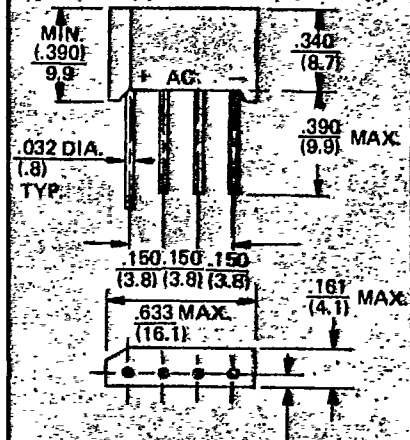
OUTLINE OF BRIDGE RECTIFIERS

Unit: Inch (mm)

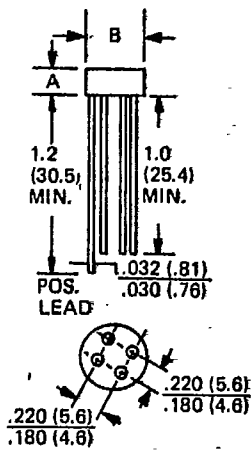
DB-1



RS1



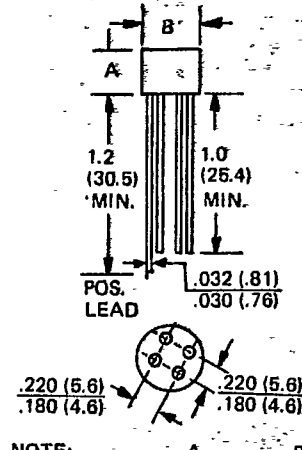
RB-15/WOL



NOTE:

	A	B
R B 15	.138 (3.5)	.358 (9.1)
WOL	.280 (7.1)	.378 (9.6)

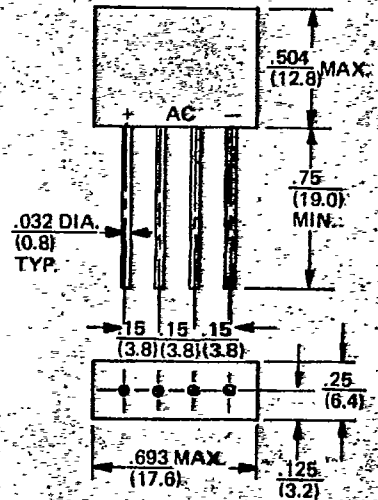
WOM/RC-2



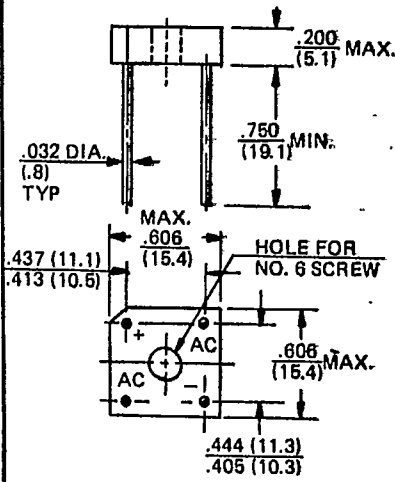
NOTE:

	A	B
WOM	.220 (5.6)	.340 (8.6)
RC-2	.210 (5.1)	.300 (7.6)
RC-2	.280 (7.1)	.394 (10.0)

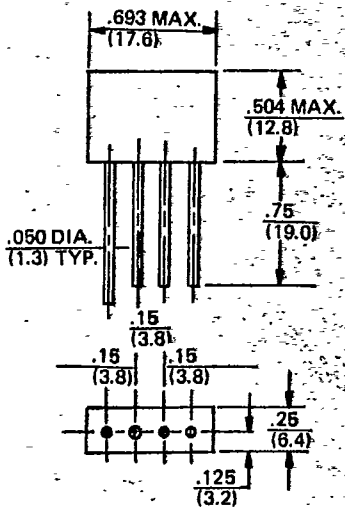
RS2



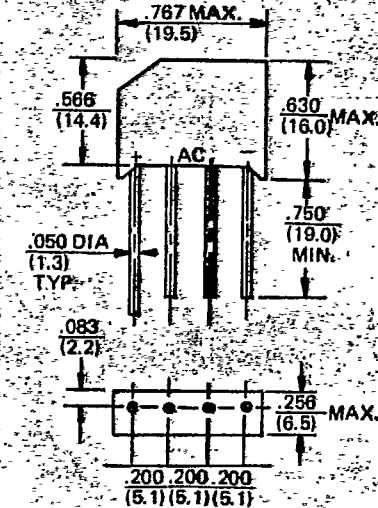
BR-3

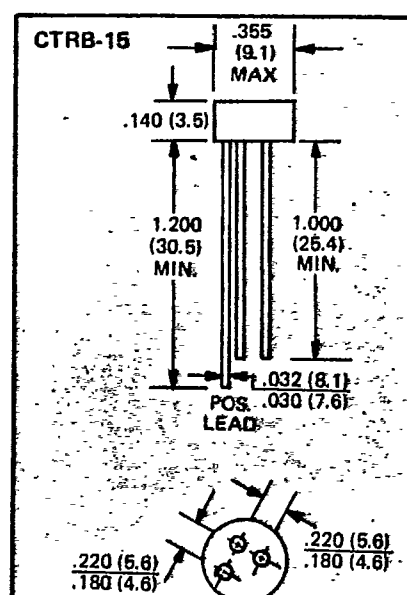
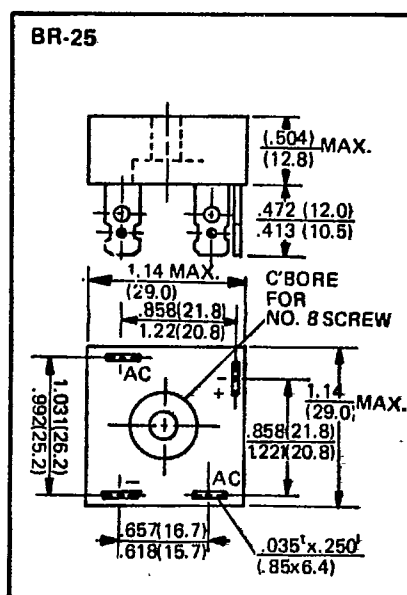
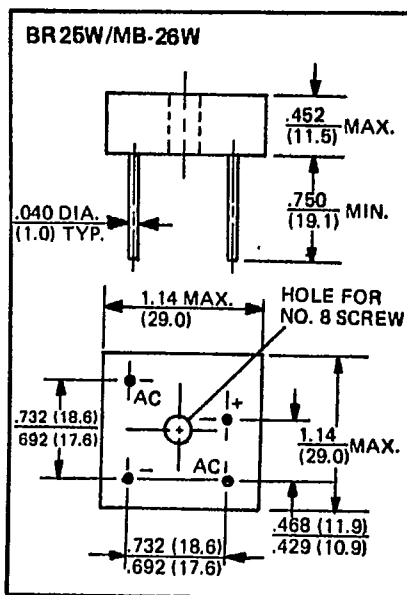
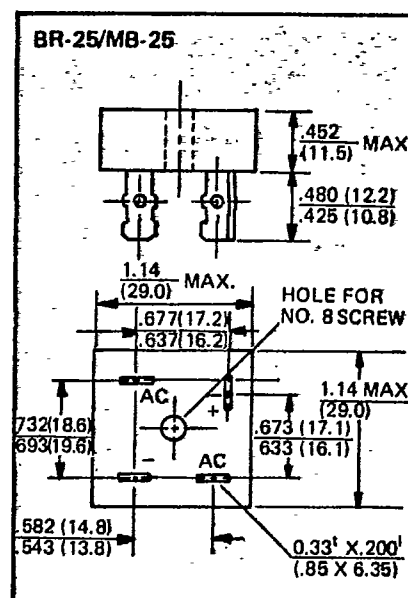
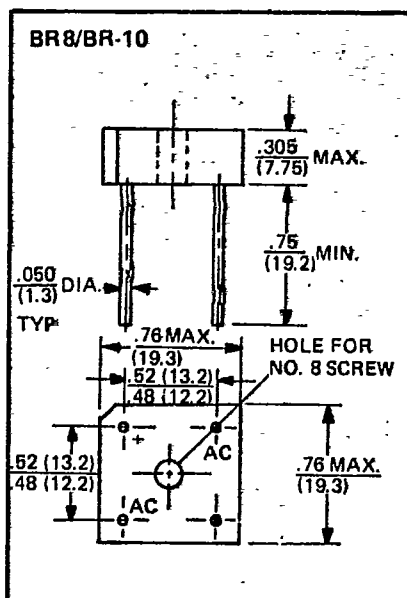
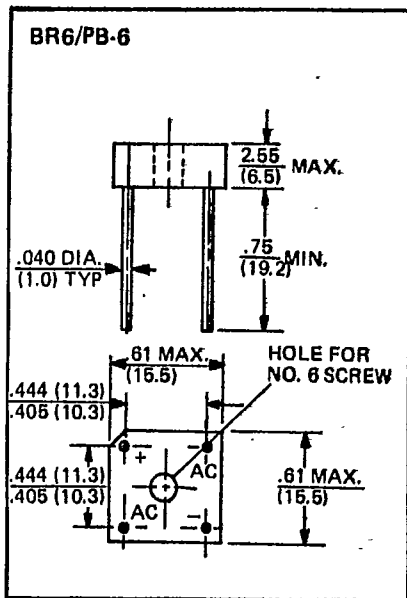
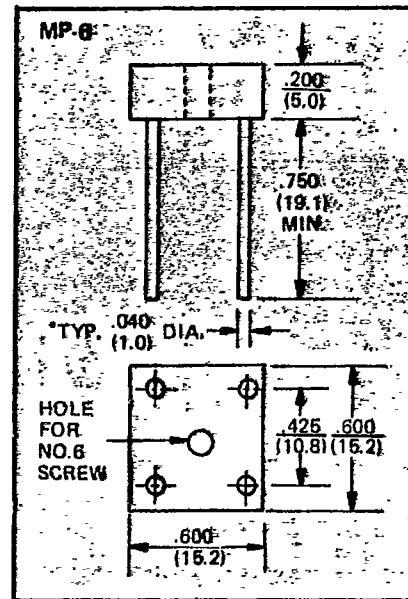
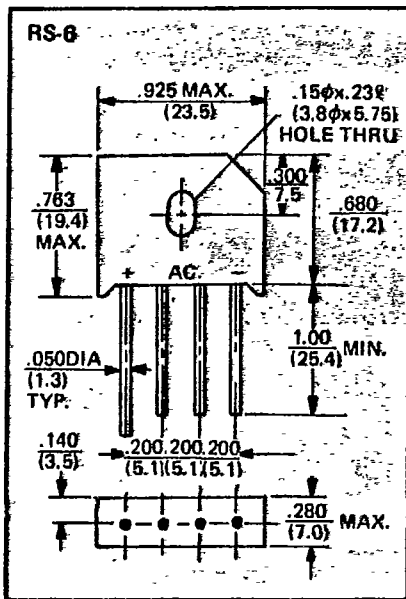
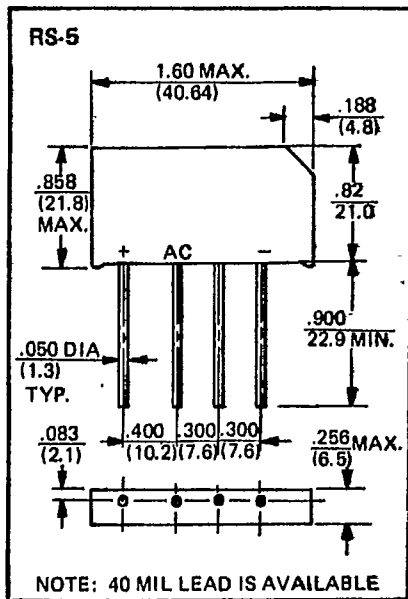


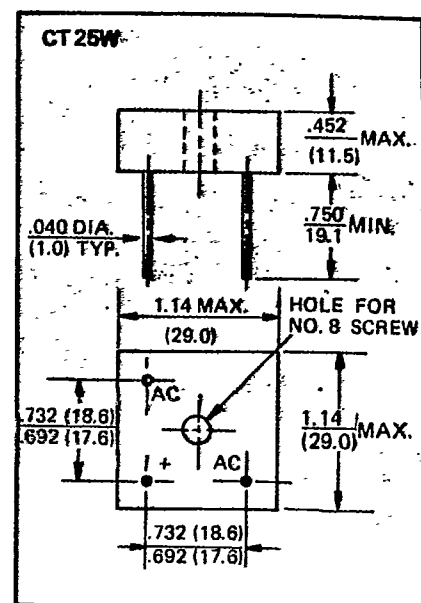
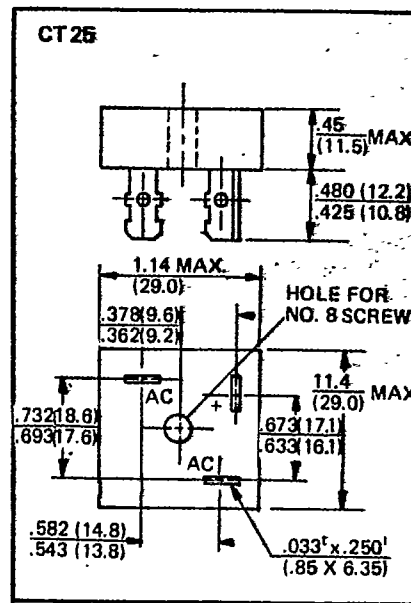
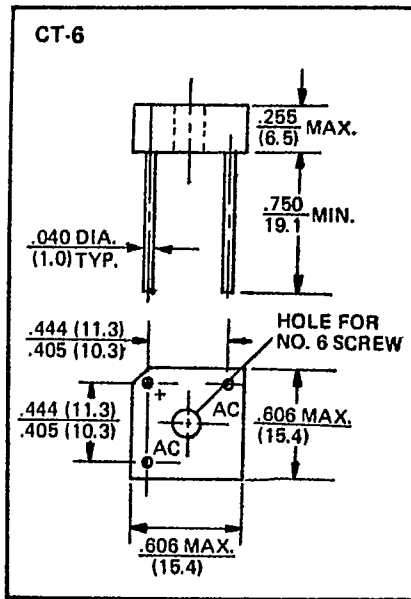
RS-4



RS-4L







RECTIFIER AND BRIDGE PACKAGING**BULK PACK**

Device	INNER SIZE (m/m)	BOX (EA)	CARTON SIZE (m/m)	CARTON (KEA)	APPROX. GROSS WEIGHT (Kg)
DO-41	200x84x21	1,000	451x205x254	50,000	19.8
DO-15	200x84x21	500	451x205x254	25,000	13.0
HVR-1/HVR-2	200x84x21	500	451x205x254	25,000	23.8
DO-201AD	303x73x40	500	330x310x268	12,000	17.2
S-6 (6A)	303x73x40	200	330x310x268	4,800	12.8
RS-1	255x168x61	1,000	330x310x268	10,000	19.1
RS-2	160x208x51	400	457x215x258	4,000	13.2
BR-3	207x207x53	200	457x215x258	1,600	7.15
RB-15	255x168x61	1,000	330x310x268	10,000	18.7
RS-4	237x237x43	400	494x245x285	4,000	17.34
RS-4L	237x237x43	400	494x245x285	4,000	21.37
RS-5	237x237x43	200	494x245x285	2,000	21.5
BR-6/PB-6	207x207x53	200	457x215x258	1,600	8.865
RS-6	237x237x43	200	494x245x285	2,000	13.315
BR-8/BR-10	224x224x48	200	494x245x285	2,400	20.3
BR-15 BR-25 BR-35	207x207x53	50	457x215x258	400	18.2
BR-15W BR-25W BR-35W	207x207x53	50	457x215x258	400	11.63
RB15/WOM	250x160x57	1,000	343x322x267	10,000	13.7
MP6	207x207x53	200	451x205x254	16,000	7.0
DB-1	490x145x85	2,500	510x365x310	20,000	14.4
WOL	250x160x57	600	343x322x267	6,000	13
HV	225x225x40	100	451x205x254	1,000	11.6
HC	207x207x53	40	451x205x254	320	10.2
HVP	207x207x53	40	451x205x254	320	11.8
ZENER	200x84x21	1,000	451x205x254	50,000	13.1

REEL PACK

DEVICE	REEL (EA)	COMPONENT SPACE (m/m)	TAPE SPACE (m/m)	REEL DIA (m/m)	CARTON SIZE (m/m)	APPROX GROSS WEIGHT (Kg)
DO-41	5,000	5.0	51	330	350x350x345	10.5
DO-15	4,000	5.0	51	330	350x350x345	10.0
HVR-1/HVR-2	3,000	5.0	51	330	350x350x345	14.2
DO-201AD	1,200	9.5	51	330	350x350x345	9.2
S-6	500	9.5	51	330	350x350x345	7.3

AMMUNITION PACK

DEVICE	BOX (EA)	COMPONENT SPACE (m/m)	TAPE SPACE (m/m)	BOX SIZE (m/m)	CARTON SIZE (m/m)	CARTON (EA)	APPROX GROSS WEIGHT (Kg)
DO-41	3,000	5.0	51	255x78x95	350x350x345	4,800	18.3
DO-15	2,200	5.0	51	255x78x95	350x350x345	33,000	18.3
HVR-1/HVR-2	2,000	5.0	51	255x78x95	350x350x345	30,000	27.2
DO-201AD	800	9.5	51	255x78x95	350x350x345	12,000	17.4
S-6	300	9.5	51	255x78x95	350x350x345	4,500	11.9
DO-41	3,000	5.0	26	255x51x95	330x310x268	42,000	15.1
DO-15	2,200	5.0	26	255x51x95	330x310x268	37,400	13.6