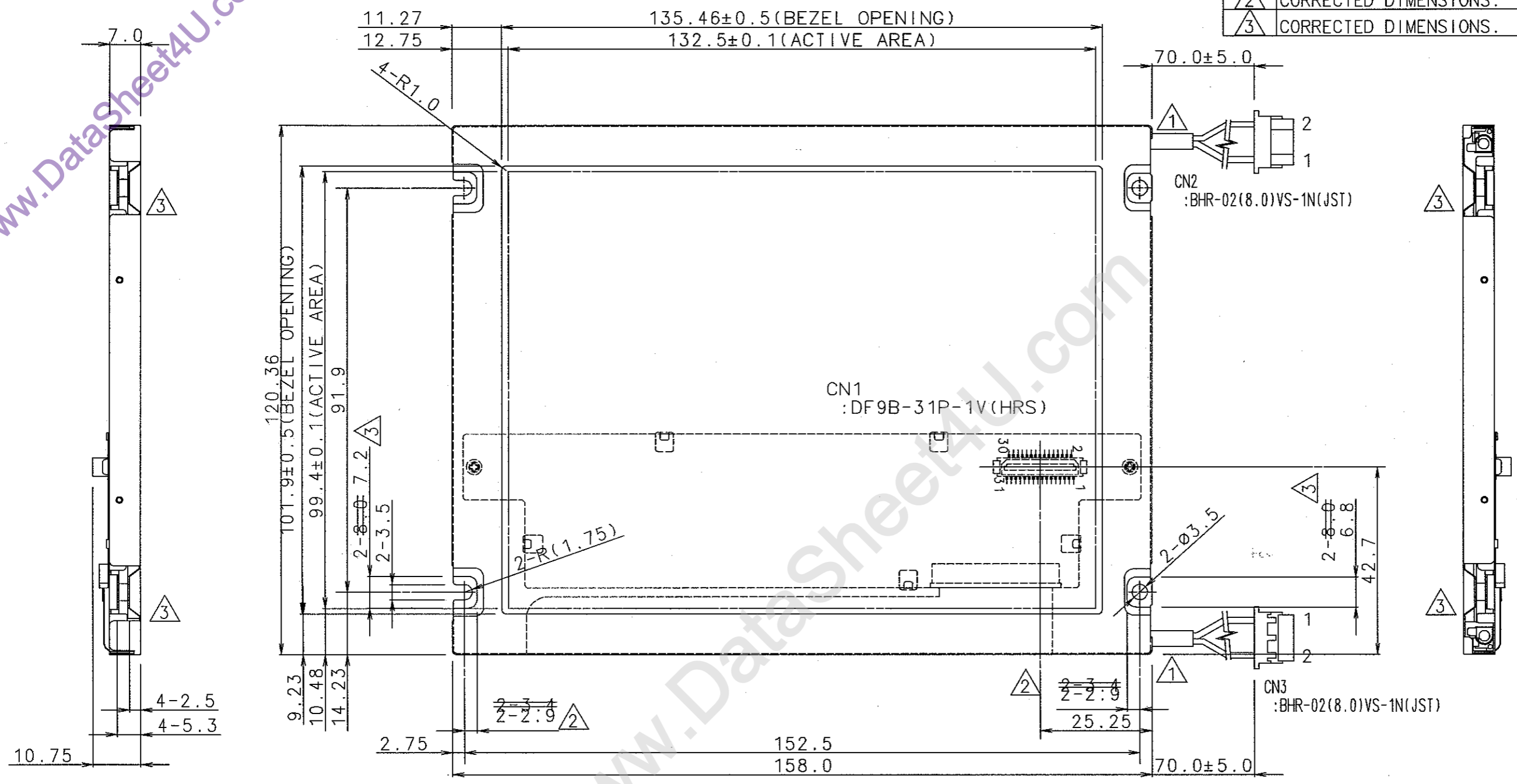


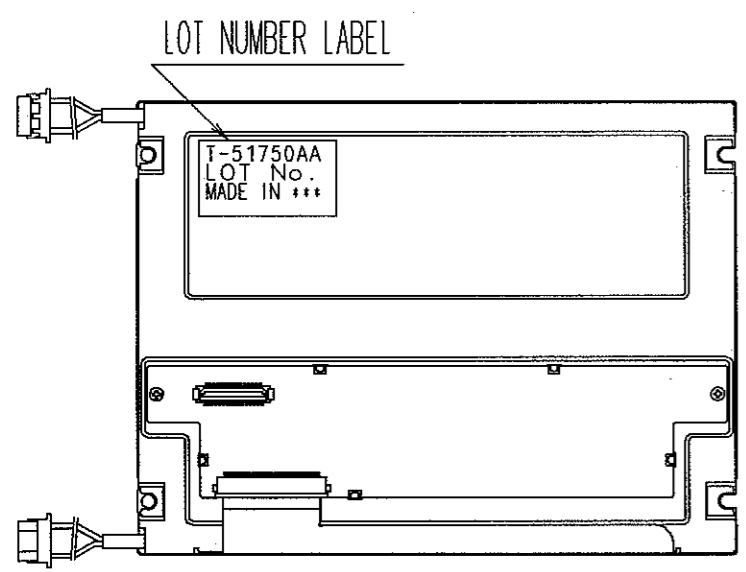
www.DataSheet4U.com

ISSUE	REVISIONS	DRAWN	APPROVED	DATE
①	ADDED PROTECT TUBE.	M.NAKADA	K.GONDO	OCT.31'03
②	CORRECTED DIMENSIONS.	M.NAKADA	T.SUZUKI	JUL.12'04
③	CORRECTED DIMENSIONS.	M.NAKADA	T.SUZUKI	JUL.21'04



PIN ASSIGNMENT

CN1	
No.	Symbol
1	GND
2	DCLK
3	HD
4	VD
5	GND
6	R0
7	R1
8	R2
9	R3
10	R4
11	R5
12	GND
13	G0
14	G1
15	G2
16	G3
17	G4
18	G5
19	GND
20	B0
21	B1
22	B2
23	B3
24	B4
25	B5
26	GND
27	DENA
28	VCC
29	VCC
30	TEST
31	REV
CN2, 3	
No.	Symbol
1	H.V
2	L.V



REAR VIEW  
(S=2:1)

液晶之友 电话: 020-33819057  
Http://www.lcdfriends.com

TOLERANCE			THIRD ANGLE PROJECTION	DATE OCT.06'03	OPTREX CORPORATION
MEASURE	A	B			
L≤16	±0.1	±0.3	±1	UNIT mm	APPROVED K.GONDO
16<L≤63	±0.2	±0.5	±1.5		
63<L≤250	±0.3	±0.8	±2	SCALE 1:1	CHECKED Y.TAKADA
250<L≤500	±0.5	±1.2	±3		
500<L	±0.8	±2	±4	DRAWN M.NAKADA	CODE T-51750AA SERIES
ANGLE	±1°	±5°	±10°		
					DWG NO. UE-311848C