

LCD Module

T043C002720480T0CG5B10

DATA SHEET

Product specification V 1.0

Approval of Specification

	Approved by	Date
admatec	H. Ghaybi	2016-02-19
Customer		

This product complies to EU directive 2002/95/EC (RoHS) of January 27th, 2003.

1 General data

Table 1.1: General data

No.	Item	Content
1.	module size	67.2 mm (W) x 105.5 mm (H) x 3.0 mm (T)
2.	visible area	57.5 mm (W) * 98.7 mm (H)
3.	active area	53.86 mm (W) * 95.04 mm (H)
4.	dot pitch	0.198 mm (W) * 0.066 mm (H)
5.	number of dots	272 (W) * 480 * 3 (RGB) (H)
6.	LCD type	TFT color 16.7M, transmissive
7.	backlight	LED white
8.	controller	NT39017C or ILI6480
9.	interface	24-bit RGB
10.	weight	44.4 (approx.)

5 Block diagram

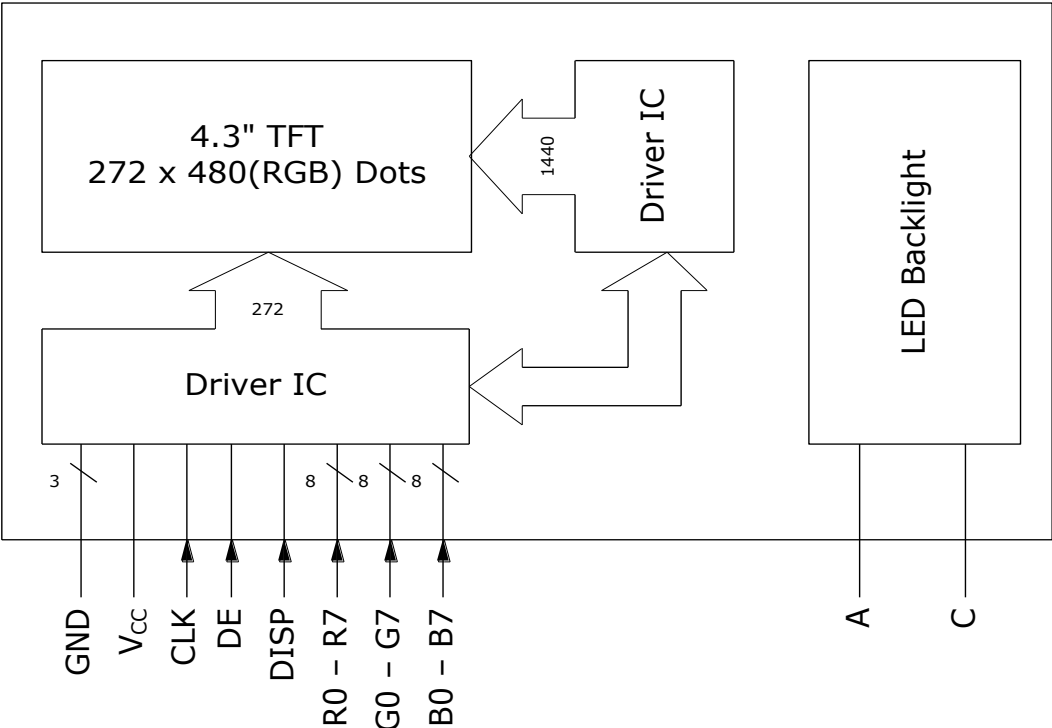


Figure 5.1 : Block diagram of T043C002720480T0CG5B10

6 Interface description

6.1 Interface of LCD

Table 6.1: LCD interface description

Symbol	Pin no.	IO	Function
C	1	PWR	power for LED backlight cathode
A	2	PWR	power for LED backlight anode
GND	3	PWR	ground
V _{cc}	4	PWR	power supply for logic
R0	5	I	red data
R1	6	I	
R2	7	I	
R3	8	I	
R4	9	I	
R5	10	I	
R6	11	I	
R7	12	I	
G0	13	I	green data
G1	14	I	
G2	15	I	
G3	16	I	
G4	17	I	
G5	18	I	
G6	19	I	
G7	20	I	
B0	21	I	blue data
B1	22	I	
B2	23	I	
B3	24	I	
B4	25	I	
B5	26	I	
B6	27	I	
B7	28	I	
GND	29	PWR	ground
CLK	30	I	pixel clock
DISP	31	I	display on/ off
NC	32	--	not connect
NC	33	--	
DE	34	I	data enable
NC	35	--	not connect
GND	36	PWR	ground
NC	37	--	not connect
NC	38	--	
NC	39	--	
NC	40	--	

FPC: 40 pin, 0.5 mm pitch

7 Power supply

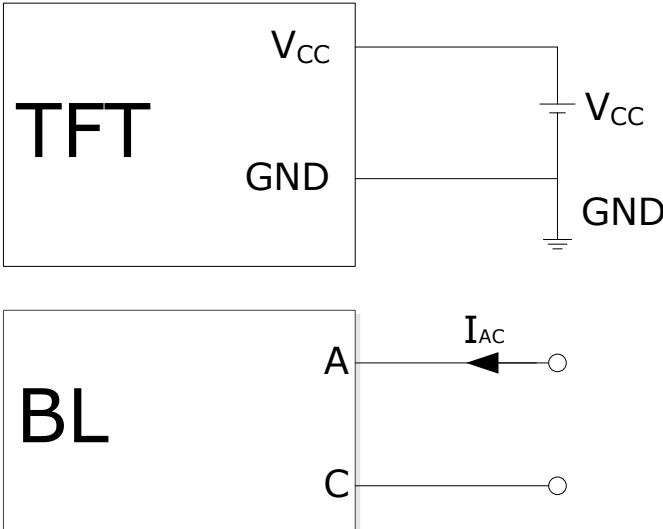


Figure 7.1 : Power supply for T043C002720480T0CG5B10

11 Drawing

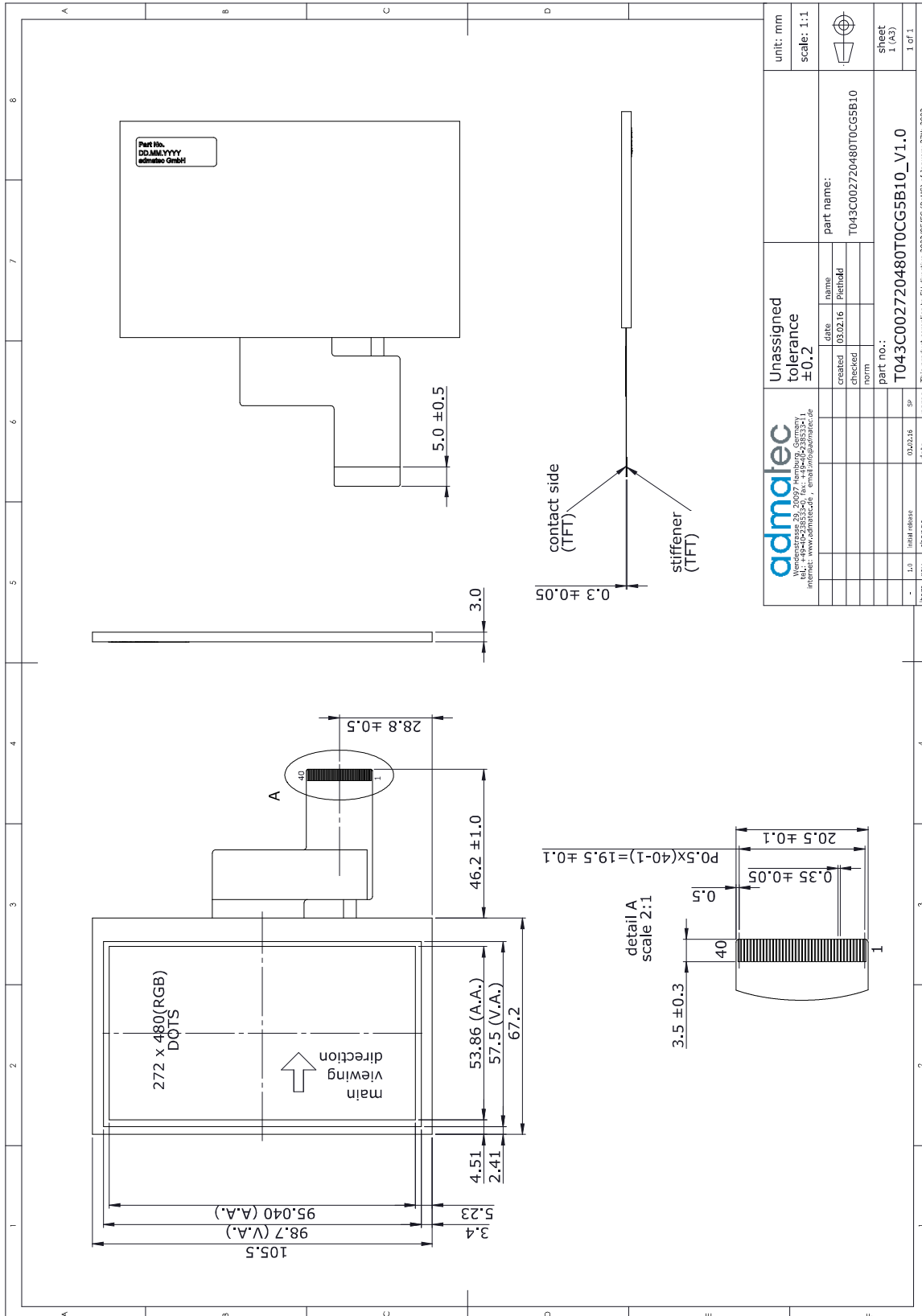


Fig 11.1: Drawing of T043C002720480T0CG5B10