

## Features

- Current-controlled Output Current Source with 4 Input Channels
- Low-power Consumption
- Output Current up to 150 mA, Read Channel and Channel 2
- Output Current up to 200 mA, Channel 3 and Channel 4
- Total Output Current to 300 mA
- Rise Time 1.0 ns, Fall Time 1.1 ns
- On-chip RF Oscillator
- Control Frequency and Swings by Use of 2 External Resistors
- Oscillator Frequency Range from 200 MHz to 600 MHz
- Oscillator Swing to 100 mA
- Single 5 V Power Supply
- Common Enable/Disable Input
- TTL/CMOS Control Signals
- Small SSO16 Package

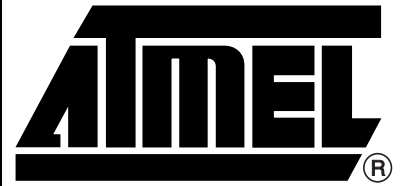
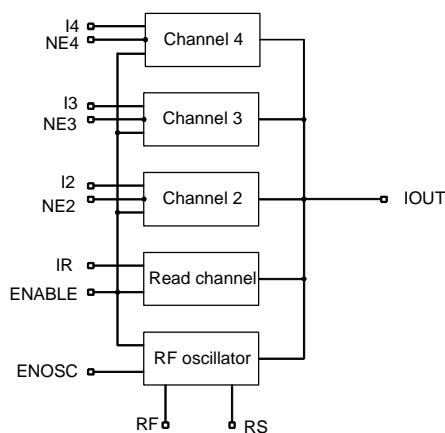
## Application

- DVD-RAM
- DVD-RW
- DVD+RW
- CD-RW
- Writable Optical Drives

## Description

The T0820 is a laser diode driver for the operation of a grounded laser diode for writable optical drives. It includes four channels for four different optical power levels which are controlled by a separate IC. The read channel generates a continuous output level whereas channels 2 to 4 are provided as write channels with very fast switching speeds. Write current pulses are enabled when a "low" signal is applied to the NE pins. All channels are summed together at the IOOUT pin. Read channel and channel 2 can contribute up to 150 mA and channels 3 and 4 up to 200 mA to the total output current of up to 300 mA. A total gain of 100 is provided between each reference current input and the selected output. Although the reference inputs are current inputs voltage control is possible by using external resistors. Frequency and swing can be set by two external resistors. Oscillation is enabled by a "high" at the ENOSC pin. Complete output current and oscillator switch-off is achieved by a 'low' at the ENABLE input.

Figure 1. Block Diagram



## 4-Channel Laser Driver with RF Oscillator

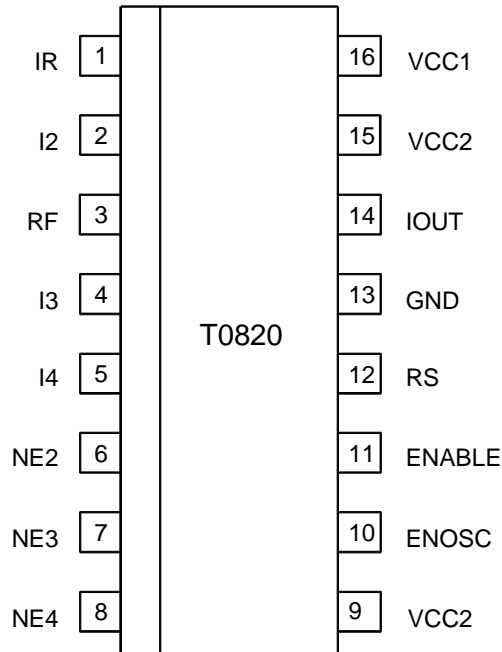
T0820

Rev. 4506E-DVD-09/02



## Pin Configuration

Figure 2. Pinning SSO16



## Pin Description

Pin	Symbol	Type	Function
1	IR	analog	Input current, bias voltage approximately GND
2	I2	analog	Input current, bias voltage approximately GND
3	RF	analog	External resistor to GND sets oscillator frequency
4	I3	analog	Input current, bias voltage approximately GND
5	I4	analog	Input current, bias voltage approximately GND
6	NE2	digital	Digital control of channel 2 (low active)
7	NE3	digital	Digital control of channel 3 (low active)
8	NE4	digital	Digital control of channel 4 (low active)
9	VCC2	supply	+5 V power supply for IOOUT
10	ENOSC	digital	Enables RF oscillator (high active)
11	ENABLE	digital	Enables output current (high active)
12	RS	analog	External resistor to GND sets oscillator swing
13	GND	supply	Ground
14	IOOUT	analog	Output current source for laser diode
15	VCC2	supply	+5 V power supply for IOOUT
16	VCC1	supply	+5 V power supply for circuit

## Absolute Maximum Ratings

Parameters	Symbol	Value	Unit
Supply voltage	$V_{CC}$	-0.5 to +6.0	V
Input voltage at IR, I2, I3, I4	$V_{IN1}$	-0.5 to +0.8	V
Input voltage at NE2, NE3, NE4, ENOSC	$V_{IN2}$	-0.5 to $V_{CC} + 0.5$	V
Output voltage	$V_{OUT}$	-0.5 to $V_{CC} - 1$	V
Power dissipation	$P_{MAX}$	0.7 <sup>(1)</sup> to 1 <sup>(2)</sup>	W
Junction temperature	$T_J$	150	°C
Storage temperature range	$T_{stg}$	-65 to +125	°C

Notes: 1.  $R_{thJA} \leq 115 \text{ k/W}$ ,  $T_{amb} = 70^\circ\text{C}$   
 2.  $R_{thJA} \leq 115 \text{ k/W}$ ,  $T_{amb} = 25^\circ\text{C}$

## Thermal Resistance

Parameters	Symbol	Value	Unit
Junction ambient	$R_{thJA}$	115 <sup>(1)</sup>	K/W

Note: 1. Measured with multi-layer test board (JEDEC standard)

## Operating Range

Parameters	Symbol	Value	Unit
Supply voltage range	VCC	4.5 to 5.5	V
Input current	$I_{IR}, I_{I2}, I_{I3}, I_{I4}$	< 2	mA
External resistor to GND to set oscillator frequency	RF	> 3	k $\Omega$
External resistor to GND to set oscillator swing	RS	> 100	$\Omega$
Operating temperature range	$T_{amb}$	0 to +70	°C

## Electrical Characteristics: General

$V_{CC} = 5\text{ V}$ ,  $T_{amb} = 25^{\circ}\text{C}$ , ENABLE = High, NE2 = NE3 = NE4 = High, ENOSC = Low, unless otherwise specified

No.	Parameters	Test Condition	Pin	Symbol	Min.	Typ.	Max.	Unit	Type*
<b>1</b>	<b>Power supply</b>								
1.1	Supply current, power down	ENABLE = Low, NE2 = NE3 = NE4 = Low	9, 15, 16	$ICC_{PD2}$		0.3		mA	A
1.2	Supply current, read mode, oscillator disabled	$I_{IR} = I_{I2} = I_{I3} = I_{I4} = 500\ \mu\text{A}$	9, 15, 16	$ICC_{R1}$		95		mA	A
1.3	Supply current, read mode, oscillator enabled	$I_{IR} = I_{I2} = I_{I3} = I_{I4} = 500\ \mu\text{A}$ , ENOSC = High, RS = 560 $\Omega$ , RF = 7.5 k $\Omega$	9, 15, 16	$ICC_{R2}$		100		mA	A
1.4	Supply current, write mode	$I_{IR} = I_{I2} = I_{I3} = I_{I4} = 500\ \mu\text{A}$ , NE2 = NE3 = NE4 = Low	9, 15, 16	$ICC_W$		230		mA	A
1.5	Supply current, input off	$I_{IR} = I_{I2} = I_{I3} = I_{I4} = 0\ \mu\text{A}$	9, 15, 16	$ICC_{off}$		16		mA	A
<b>2</b>	<b>Digital inputs</b>								
2.1	NE2/NE3/NE4 low voltage		6, 7, 8	$VNE_{LO}$			1.3	V	A
2.2	NE2/NE3/NE4 high voltage		6, 7, 8	$VNE_{HI}$	2.0			V	A
2.3	ENABLE low voltage		11	$VEN_{LO}$			0.5	V	A
2.4	ENABLE high voltage		11	$VEN_{HI}$	3.0			V	A
2.5	ENOSC low voltage		10	$VEO_{LO}$			0.5	V	A
2.6	ENOSC high voltage		10	$VEO_{HI}$	3.0			V	A
<b>3</b>	<b>Current at digital inputs</b>								
3.1	NE2/NE3/NE4 low current	NE = 0 V	6, 7, 8	$INE_{LO}$	-300			$\mu\text{A}$	A
3.2	NE2/NE3/NE4 high current	NE = 5 V	6, 7, 8	$INE_{HI}$			800	$\mu\text{A}$	A
3.3	ENABLE low current	ENABLE = 0 V	11	$IEN_{LO}$	-150			$\mu\text{A}$	A
3.4	ENABLE high current	ENABLE = 5 V	11	$IEN_{HI}$			100	$\mu\text{A}$	A
3.5	ENOSC low current	ENOSC = 0 V	10	$IEO_{LO}$	-100			$\mu\text{A}$	A
3.6	ENOSC high current	ENOSC = 5 V	10	$IEO_{HI}$			800	$\mu\text{A}$	a

\* Type means: A: 100% tested B: 100% correlation tested C: Characterized on samples D: Design parameter

## Electrical Characteristics: Laser Amplifier

$V_{CC} = 5\text{ V}$ ,  $T_{amb} = 25^{\circ}\text{C}$ , ENABLE = High, unless otherwise specified

No.	Parameters	Test Conditions	Pin	Symbol	Min.	Typ.	Max.	Unit	Type*
<b>4</b>	<b>Laser Amplifier</b>								
4.1	Best fit current gain	Any channel <sup>(1)</sup>	14	GAIN	90	105	130	mA/mA	A
4.2	Best fit current offset	Any channel <sup>(1)</sup>	14	IOS	-8		+4	mA	A
4.3	Output current linearity	Any channel <sup>(1)</sup>	14	ILIN	-3		+3	%	A
4.4	Input current range	Input is sinking	1, 2, 4, 5	IDAC	0		3	mA	C
4.5	Output current read channel	Output is sourcing	14	$I_{OUTR}$	150			mA	A
4.6	Output current channel 2	Output is sourcing	14	$I_{OUT2}$	150			mA	A
4.7	Output current channel 3	Output is sourcing	14	$I_{OUT3}$	200			mA	A
4.8	Output current channel 4	Output is sourcing	14	$I_{OUT4}$	200			mA	A
4.9	Output current read channel + channel 2	Output is sourcing	14	$I_{OUTR,2}$	150			mA	A
4.10	Output current channel 3 + channel 4	Output is sourcing	14	$I_{OUT3,4}$	200			mA	A
4.11	Total output current	Output is sourcing	14	$I_{OUT}$	300			mA	A
4.12	IOUT series resistor	$I_{OUT} = 250\text{ mA}$ total $R_{OUT}$ to $V_{CC}$ -Rail	14	$R_{OUT}$		8		$\Omega$	C
4.13	$I_{IN}$ input impedance	$R_{IN}$ is to GND	1, 2, 4, 5	$R_{IN}$	150	200	250	$\Omega$	A
4.14	NE threshold	Temperature stabilized	6, 7, 8	VTH		1.68		V	B
4.15	Output off current 1	ENABLE = Low		$I_{OFF1}$			1	mA	A
4.16	Output off current 2	NE2=NE3=NE4=High $I_{IR}=0\ \mu\text{A}$ , $I_{I2}=I_{I3}=I_{I4}=500\ \mu\text{A}$	14	$I_{OFF2}$			1	mA	A
4.17	Output off current 3	NE2=NE3=NE4=Low, $I_{IR}=I_{I2}=I_{I3}=I_{I4}=0\ \mu\text{A}$	14	$I_{OFF3}$			5	mA	A
4.18	$I_{OUT}$ supply sensitivity, read mode	$I_{OUT} = 40\text{ mA}$ , $V_{CC} = 5\text{ V} \pm 10\%$ , read only	14	$VSE_R$	-4		-1	%/V	A
4.19	$I_{OUT}$ supply sensitivity, write mode	$I_{OUT} = 80\text{ mA}$ , 40 mA read + 40 mA write, $V_{CC}=5\text{V} \pm 10\%$	14	$VSE_W$	-6		0	%/V	A
4.20	$I_{OUT}$ current output noise	$I_{OUT} = 40\text{ mA}$ , ENOSC = Low	14	$INO_O$		3		nA/ rt-Hz	C
4.21	$I_{OUT}$ temperature sensitivity, read mode	$I_{OUT} = 40\text{ mA}$ , read only	14	$TSE_R$		-500		ppm/ $^{\circ}\text{C}$	C
4.22	$I_{OUT}$ temperature sensitivity, write mode	$I_{OUT} = 80\text{ mA}$ , 40 mA read + 40 mA Write	14	$TSE_W$		-600		ppm/ $^{\circ}\text{C}$	C

\*) Type means: A = 100% tested, B = 100% correlation tested, C = Characterized on samples, D = Design parameter

Note: 1. Linearity of the amplifier is calculated using a best fit method at three operating points of  $I_{OUT}$  at 20 mA, 40 mA, and 60 mA.  $I_{OUT} = (I_{IN} \times \text{GAIN}) + I_{OS}$

## Electrical Characteristics: Laser Current Amplifier Output AC Performance

$V_{CC} = +5\text{ V}$ ,  $I_{OUT} = 40\text{ mA DC}$  with 40 mA pulse,  $T_{amb} = 25^\circ\text{C}$ , unless otherwise specified

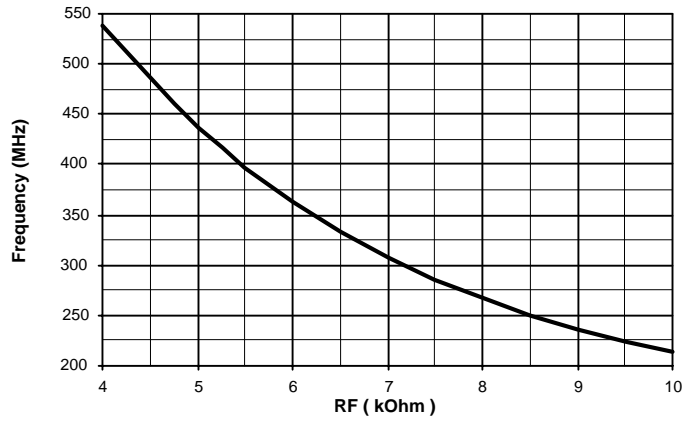
No.	Parameters	Test Conditions	Pin	Symbol	Min.	Typ.	Max.	Unit	Type*
<b>5</b>	<b>Laser Current Amplifier Output AC Performance</b>								
5.1	Write rise time	$I_{OUT} = 40\text{ mA (read) + 40 mA (10\% - 90\%) }^{(1)}$	14	$t_{RISE}$		1.0	3.0	ns	C
5.2	Write fall time	$I_{OUT} = 40\text{ mA (read) + 40 mA (10\% - 90\%) }^{(1)}$	14	$t_{FALL}$		1.1	3.0	ns	C
5.3	Output current overshoot	$I_{OUT} = 40\text{ mA (read) + 40 mA }^{(1)}$	14	OS		5		%	C
5.4	$I_{OUT}$ ON prop delay	NE 50% High-Low to $I_{OUT}$ at 50% of final value	14	$t_{ON}$		2.0		ns	C
5.5	$I_{OUT}$ OFF prop delay	NE 50% Low-High to $I_{OUT}$ at 50% of final value	14	$t_{OFF}$		2.0		ns	C
5.6	Disable time	ENABLE 50% High-Low to $I_{OUT}$ at 50% of final value	14	$t_{DIS}$		10		ns	C
5.7	Enable time	ENABLE 50% Low-High to $I_{OUT}$ at 50% of final value	14	$t_{EN}$		50		ns	C
5.10	Amplifier bandwidth	$I_{OUT} = 50\text{ mA}$ , all channels, -3 dB value	14	$BW_{LCA}$		20		MHz	C
<b>6</b>	<b>Oscillator</b>								
6.1	Oscillator frequency	RF = 7.5 k $\Omega$ RS = 560 $\Omega$	14	$F_{OSC}$	255	300	350	MHz	A
6.2	Oscillator temperature coefficient	RF = 7.5 k $\Omega$ RS = 560 $\Omega$	14	$TC_{OSC}$		-150		ppm/ $^\circ\text{C}$	C
6.3	Disable time oscillator	ENOSC 50% Low-High to $I_{OUT}$ at 50% of final value	14	$T_{DISO}$		4		ns	C
6.4	Enable time oscillator	ENOSC 50% High-Low to $I_{OUT}$ at 50% of final value	14	$T_{ENO}$		2		ns	C
6.5	Oscillator swing	RF = 7.5 k $\Omega$ RS = 560 $\Omega$	14	$S_{OSC}$	35		55	mApp	A

\*) Type means: A = 100% tested, B = 100% correlation tested, C = Characterized on samples, D = Design parameter

Note: 1. Load resistor at  $I_{OUT}$  10  $\Omega$ , measurement with a 50- $\Omega$  oscilloscope and a 39- $\Omega$  series resistor

Application Information

Figure 3. Oscillator Frequency vs. Resistor RF (RS = 560 Ω)



www.DataSheet4U.com

Figure 4. Oscillator Swing vs. Resistor RS (RF = 7.5 kΩ)

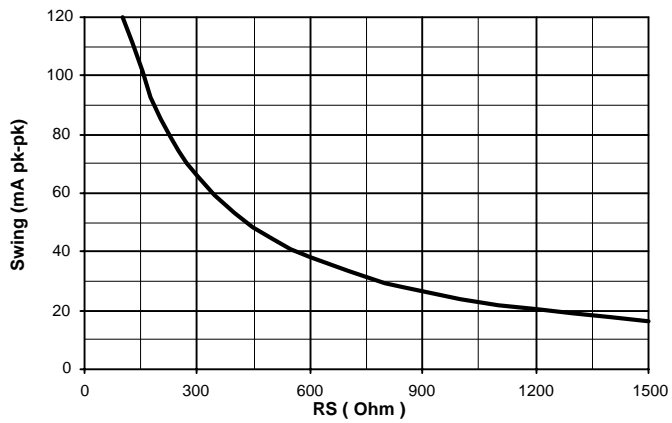
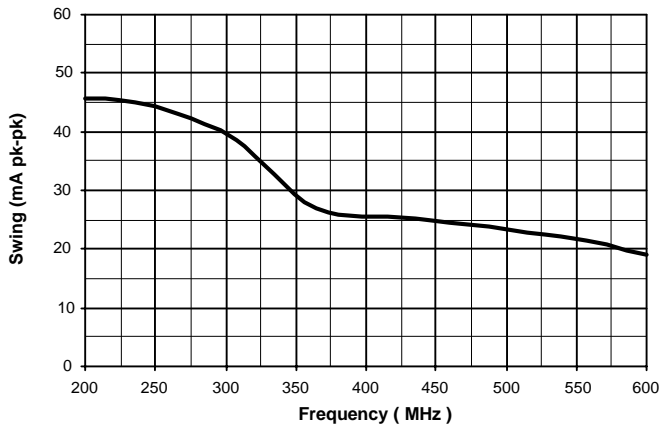
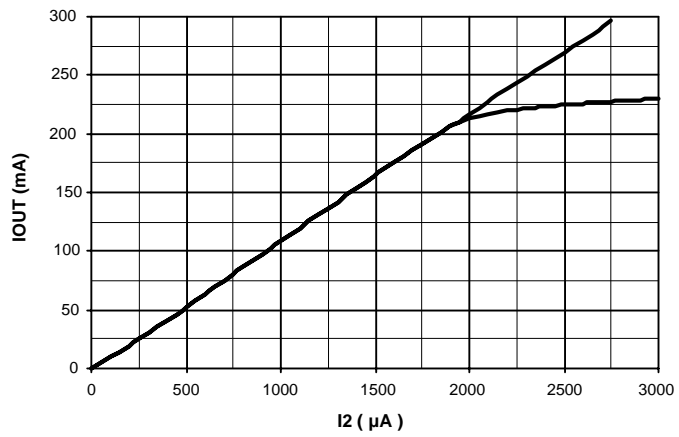


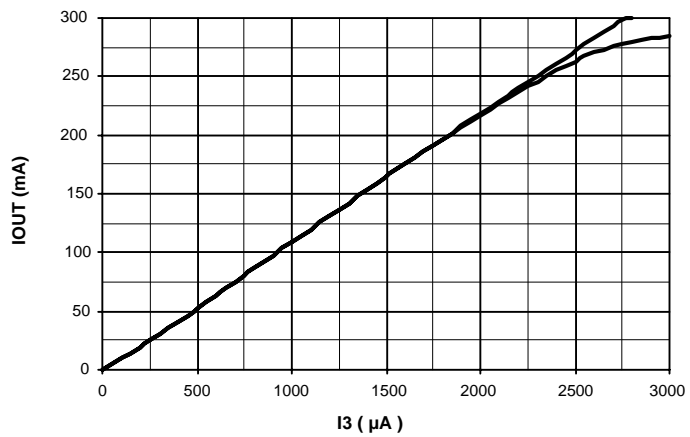
Figure 5. Oscillator Frequency Depending of Swing (RS = 560 Ω)



**Figure 6.** Transfer Characteristic of Channel 2 (gain = 112)



**Figure 7.** Transfer Characteristic of Channel 3 and 4 (gain = 112)



**Figure 8.** Step Response, Read Channel: 50 mA, Channel 3 = 200 mApp

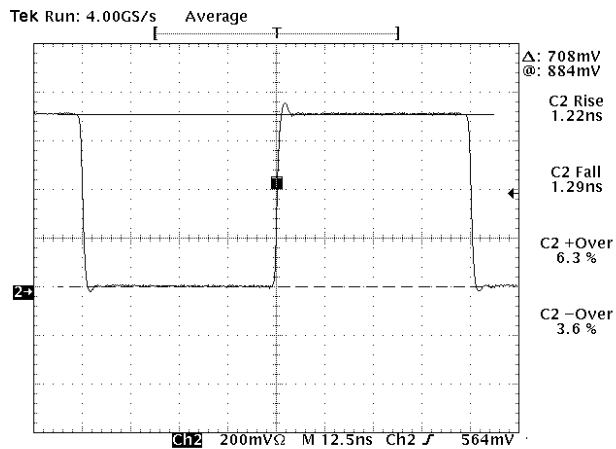




Figure 9. Timing Diagram

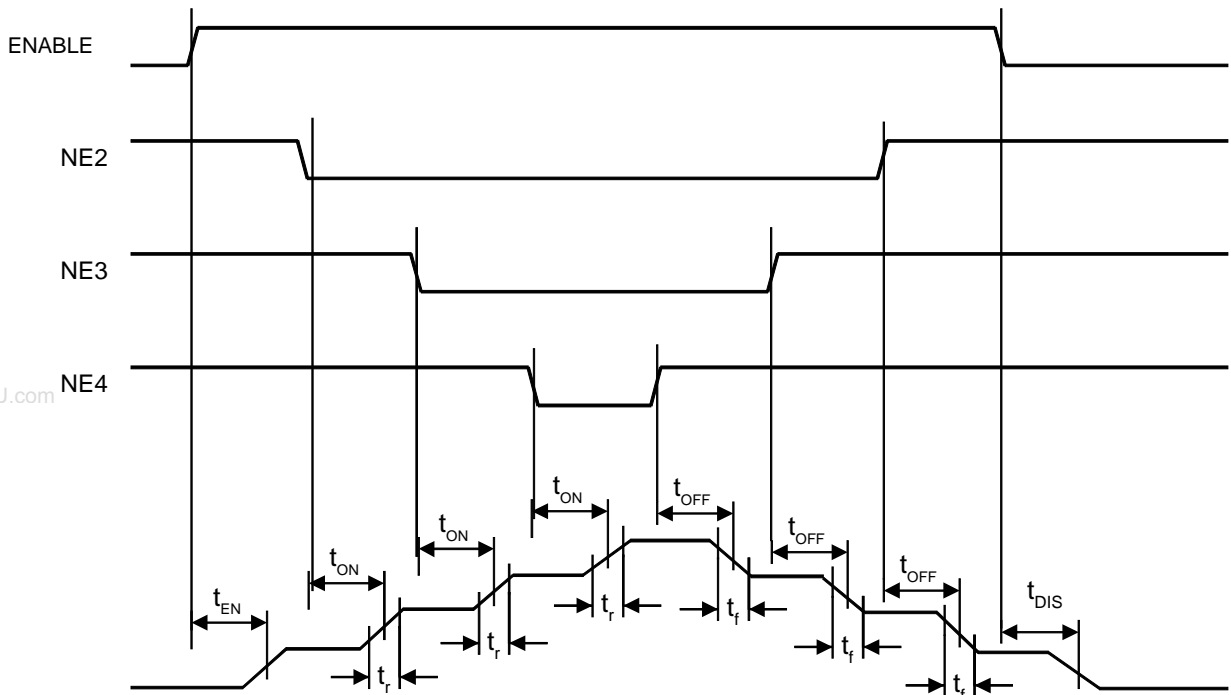
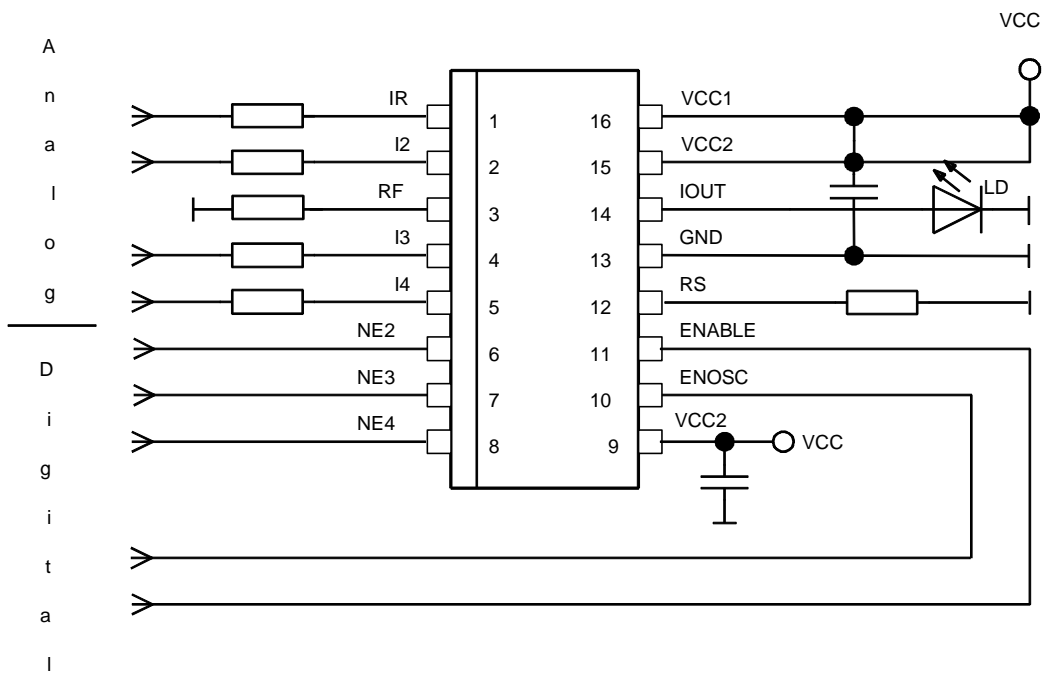


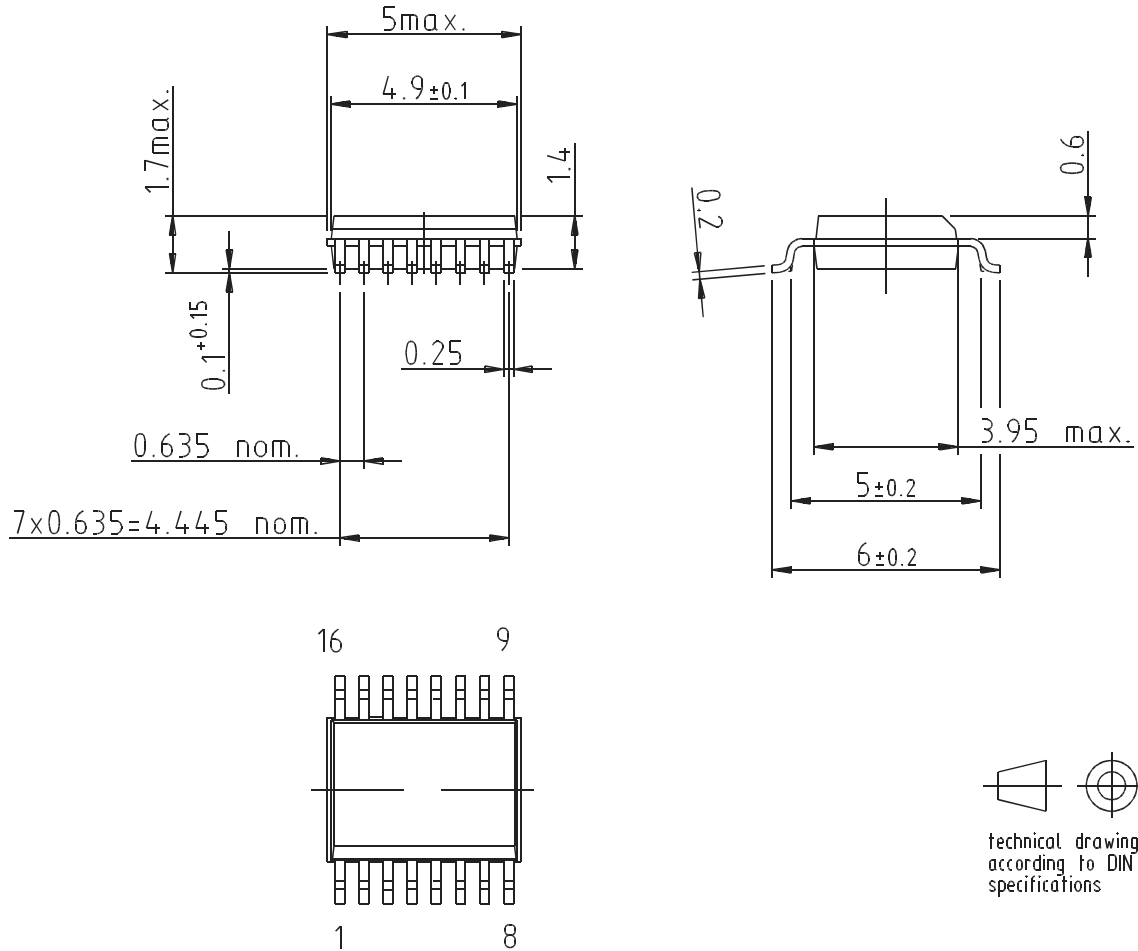
Figure 10. Typical Application Circuit



## Ordering Information

Extended Type Number	Package	Remarks
T0820-TCQ	SS016	Taped and reeled

## Package Information



Drawing refers to following types: SS016  
 Package acc. JEDEC MO 137 AB

Drawing-No.: 6.543-5060.01-4  
 Issue: 2; 05.02.99



## Atmel Headquarters

### *Corporate Headquarters*

2325 Orchard Parkway  
San Jose, CA 95131  
TEL 1(408) 441-0311  
FAX 1(408) 487-2600

### *Europe*

Atmel Sarl  
Route des Arsenaux 41  
Case Postale 80  
CH-1705 Fribourg  
Switzerland  
TEL (41) 26-426-5555  
FAX (41) 26-426-5500

### *Asia*

Room 1219  
Chinachem Golden Plaza  
77 Mody Road Tsimhatsui  
East Kowloon  
Hong Kong  
TEL (852) 2721-9778  
FAX (852) 2722-1369

### *Japan*

9F, Tonetsu Shinkawa Bldg.  
1-24-8 Shinkawa  
Chuo-ku, Tokyo 104-0033  
Japan  
TEL (81) 3-3523-3551  
FAX (81) 3-3523-7581

## Atmel Operations

### *Memory*

2325 Orchard Parkway  
San Jose, CA 95131  
TEL 1(408) 441-0311  
FAX 1(408) 436-4314

### *Microcontrollers*

2325 Orchard Parkway  
San Jose, CA 95131  
TEL 1(408) 441-0311  
FAX 1(408) 436-4314

### *La Chantrerie*

BP 70602  
44306 Nantes Cedex 3, France  
TEL (33) 2-40-18-18-18  
FAX (33) 2-40-18-19-60

### *ASIC/ASSP/Smart Cards*

Zone Industrielle  
13106 Rousset Cedex, France  
TEL (33) 4-42-53-60-00  
FAX (33) 4-42-53-60-01

1150 East Cheyenne Mtn. Blvd.  
Colorado Springs, CO 80906  
TEL 1(719) 576-3300  
FAX 1(719) 540-1759

Scottish Enterprise Technology Park  
Maxwell Building  
East Kilbride G75 0QR, Scotland  
TEL (44) 1355-803-000  
FAX (44) 1355-242-743

### *RF/Automotive*

Theresienstrasse 2  
Postfach 3535  
74025 Heilbronn, Germany  
TEL (49) 71-31-67-0  
FAX (49) 71-31-67-2340

1150 East Cheyenne Mtn. Blvd.  
Colorado Springs, CO 80906  
TEL 1(719) 576-3300  
FAX 1(719) 540-1759

### *Biometrics/Imaging/Hi-Rel MPU/ High Speed Converters/RF Datacom*

Avenue de Rochepleine  
BP 123  
38521 Saint-Egreve Cedex, France  
TEL (33) 4-76-58-30-00  
FAX (33) 4-76-58-34-80

---

### *e-mail*

literature@atmel.com

### *Web Site*

http://www.atmel.com

### © Atmel Corporation 2002.

Atmel Corporation makes no warranty for the use of its products, other than those expressly contained in the Company's standard warranty which is detailed in Atmel's Terms and Conditions located on the Company's web site. The Company assumes no responsibility for any errors which may appear in this document, reserves the right to change devices or specifications detailed herein at any time without notice, and does not make any commitment to update the information contained herein. No licenses to patents or other intellectual property of Atmel are granted by the Company in connection with the sale of Atmel products, expressly or by implication. Atmel's products are not authorized for use as critical components in life support devices or systems.

Atmel® is the registered trademark of Atmel.

Other terms and product names may be the trademarks of others.



Printed on recycled paper.